



CAST IRON STOVES



A close-up photograph of a man and a woman smiling and looking at each other. The man is on the left, wearing a dark, patterned shirt. The woman is on the right, wearing a dark jacket. The background is slightly blurred, showing what appears to be a doorway or a wall.

CONTENTS

The AGA Story	3
Working With Cast Iron	4
Engineering Excellence	6
Active Airflow Technology	8
Efficiency	10
Fuel Options	11
Stretton & Stretton SE	12
Ludlow & Ludlow SE	14
Little Wenlock SE	16
Little Wenlock Classic	18
Little Wenlock	20
Much Wenlock Classic	22
Berrington	24
Minsterley	26
Rembrandt	28
Fusion Pellet Stove	30
Specifications — All Models	32
Stoves Approvals	34



THE AGA STORY

For over 80 years AGA has remained at the forefront of engineering excellence. AGA stoves embody the best AGA traditions and employ the very latest technology. The generations of workers who have bestowed their craft, often from father to son, have done so with great care and attention, bringing a sense of pride to each new creation. When you invest in an AGA stove, you are acquiring a piece of history, a talking point and a centrepiece for your home. AGA stoves are brought to you by the manufacturers of the world famous AGA range cooker. They are assembled by hand by skilled craftsmen, giving each one a personal touch and unique quality. Nothing is better for retaining and radiating heat than cast iron and nobody knows how to work with cast iron better than AGA.



WORKING WITH CAST IRON

To make a stove which is both beautiful to look at and practical to run, you have to start with the right materials – a high quality metal, which is precision cast and expertly finished by skilled craftsmen.



BEAUTIFUL DESIGN FEATURES

The beautiful cast iron panels of an AGA stove are individually moulded in a hand finished 'cast'. This means that we can create the gentle curves and exquisite design details which are the hallmark of a high quality stove.



EXCELLENT HEAT RETENTION

Cast iron is renowned for its heat retention properties, which is why we use it in our world famous AGA cookers. The heat stored whilst the stove is lit continues to be released into the room, long after the embers have died away.



OUTSTANDING BUILD QUALITY

Our stoves are manufactured to the highest possible standards. They carry the CE mark, which means that they comply with the essential requirements of the relevant European health, safety, environmental protection legislation and are all HETAS listed. AGA stoves have a five year parts and one year labour warranty.*

(*Does not apply to consumable items; glass, bricks etc.)



QUALITY CONTROL

Every AGA cast iron stove is subjected to a detailed quality control inspection before it is allowed to leave the factory.

ENGINEERING EXCELLENCE

With a reputation for technical excellence second to none, AGA cast iron stoves are amongst the best you can buy. Each model is individually designed, to ensure that the air flows around the stove in the most efficient way possible. Innovative features include; a chrome iron grate, perfect for burning wood or solid fuel, an interchangeable wood burning plate* and stainless steel after burners*, to reduce emissions of soot. A primary air inlet valve is fitted as standard on all stoves, so that you can vary the heat output and control running costs.

All components are manufactured to the highest technical standards. Each stove is assembled by hand and subjected to a gruelling series of quality control checks, including a visual inspection of the casting, before it is allowed to leave the factory.

*On selected models.

FLEXIBILITY

Most models can burn either wood or solid fuel and we have a model with a boiler to provide domestic hot water.



ACTIVE AIRFLOW TECHNOLOGY

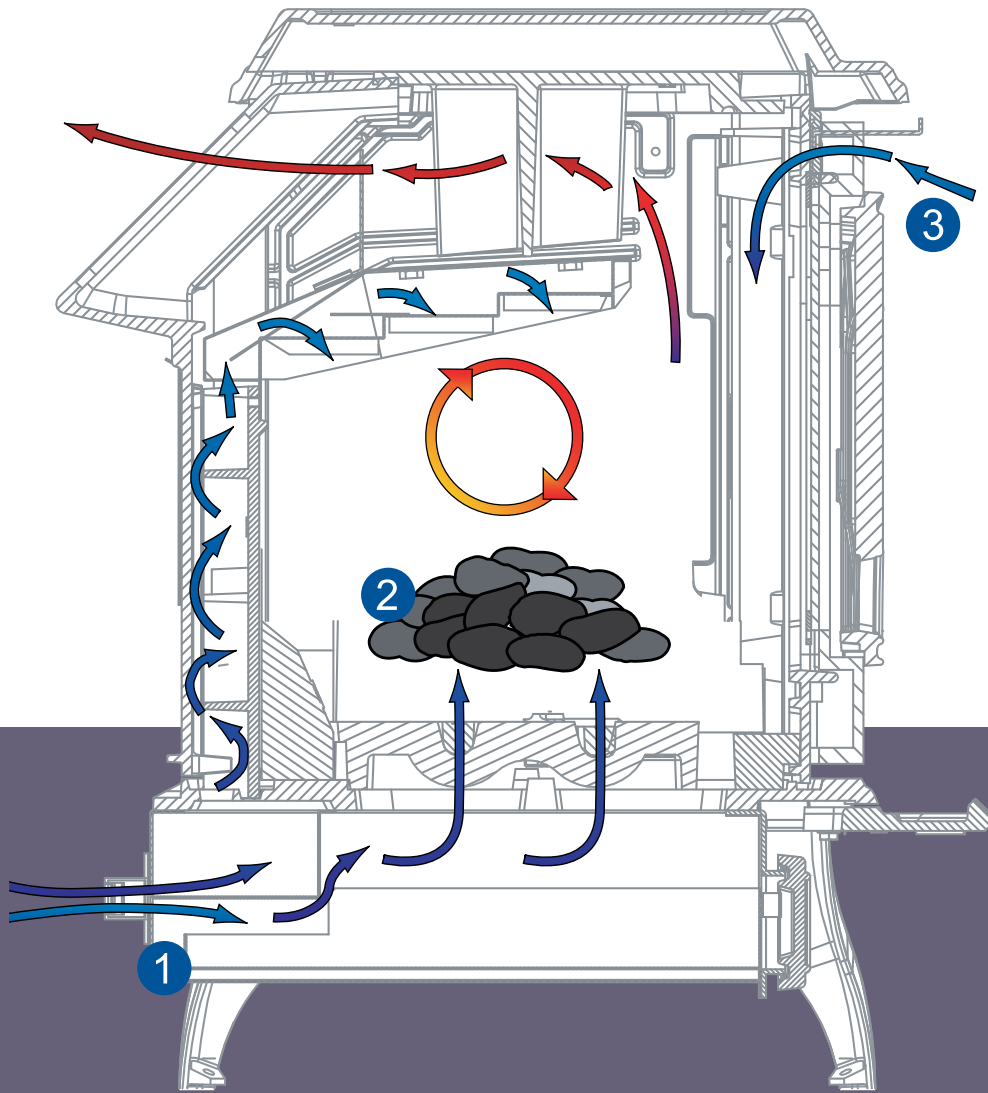
Often it is those things which you don't see that make all the difference.

AGA stoves incorporate the latest Active Airflow technology, to deliver the most efficient use of energy and to protect the environment from harmful emissions.

Fresh air is carefully channelled below, around and above the fire box to create the optimum conditions for combustion. Any solid particles and volatile gases produced from the fire are re-ignited and burnt off, before they can enter the atmosphere.

This process not only guarantees that you achieve the maximum heat output from your chosen fuel, but also helps to keep the window clean and clear, so that you can enjoy the flame picture to the full.

Our Smoke Exempt Stoves (available on Little Wenlock Classic, Stretton and Ludlow models) can be used in smoke control areas throughout the UK to burn wood.



1. A controllable air intake allows you to set the rate of combustion
2. Pre-heated air, from the rear of the stove, creates a secondary burn, which increases the heat output and burns off impurities
3. Air flows across the window keeping it clean and clear; giving a magnificent view of the fire

AGA STOVES ARE UP TO 81% EFFICIENT

By following a few simple guidelines, you can ensure that your stove is not only economic to run, but environmentally friendly too.

The secret is to burn clean, dry fuels at high temperature, with an adequate air supply. Modern proprietary solid fuels and large anthracite nuts burn at consistently high temperatures, ensuring a good secondary combustion of any impurities in the smoke. Never use fuel which is wet or unsuitable for the appliance and don't overfill the firebox. Of course, dry timber from a well managed and renewable forest is the most environmentally friendly fuel of all, as any emissions are comparatively low in CO₂ and the planting of new trees can help to reduce global warming.

As a simple check, if the smoke coming from your chimney is black or dark brown, then the combustion is incomplete and you are releasing too many impurities into the environment. If it is white or barely visible then your stove is working at peak efficiency, AGA stoves are up to 81% efficient and are all HETAS listed.



Carbon Neutral

Burning wood is carbon neutral because it only releases the same amount of carbon dioxide to the atmosphere as it would, if it were left to decompose on the forest floor.

So when you burn firewood be assured that you are not harming the environment.

NEW

AGA RAYBURN HOME ENERGY MANAGEMENT

ECO-CONNECT

AGA Rayburn now has an innovative award-winning system called Eco-Connect which enables you to link your renewable energy Rayburn central heating cooker to an automatic boiler, or allowing integration of a wood burning stove and solar thermal panels.

This new system makes integrating traditional heating systems and appliances using energy from renewable sources a whole lot easier.



A FUEL TO SUIT ALL HOMES AND NEEDS



SOLID FUEL

Solid fuel is not only economic but produces the best living flame.



WOOD

A renewable resource and the most environmentally friendly fuel to burn. Nothing can compare with the roar and crackle of a real wood fire.



SOLID FUEL OPTIONS

Solid fuel is an efficient and economical method of heating your home 24 hours a day, whatever the weather. There are a wide range of fuels available. Homes with solid fuel heating are better ventilated than the average home, which reduces condensation, helps to eliminate household mould and carries away toxins.



WOOD BURNING

AGA stoves are clean burning and highly efficient. Burning timber is cost effective and helps to conserve fossil fuels. For the best effect, only dry seasoned timber should be used. You can recognise dry wood by the fact that the bark comes away easily. Fresh green wood can have a moisture content of up to 90%, which makes it slow to ignite, produces steam, reduces the efficiency of the stove and can lead to excess sooting, which in turn, reduces the visibility of the flame picture. The firebox should never be completely emptied as wood burns best on a bed of ash.





STRETTON & STRETTON SE

The new Stretton boasts a sleek design as well as being simple and easy to use. With 78.4% efficiency and a nominal heat output of 4.9kW (maximum heat output 7.4kW) it's a great solution to owning a cast iron multi fuel stove whilst keeping a focal point of a traditional fireplace. The Stretton can be positioned into a 16" or 18" fireplace.

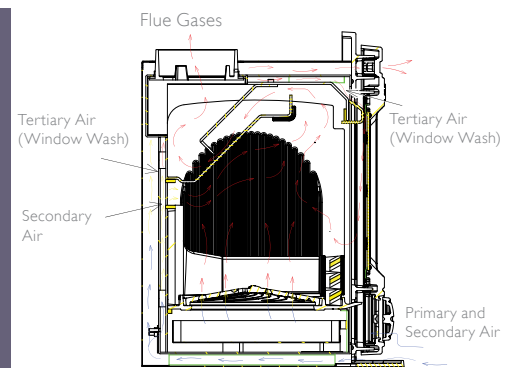
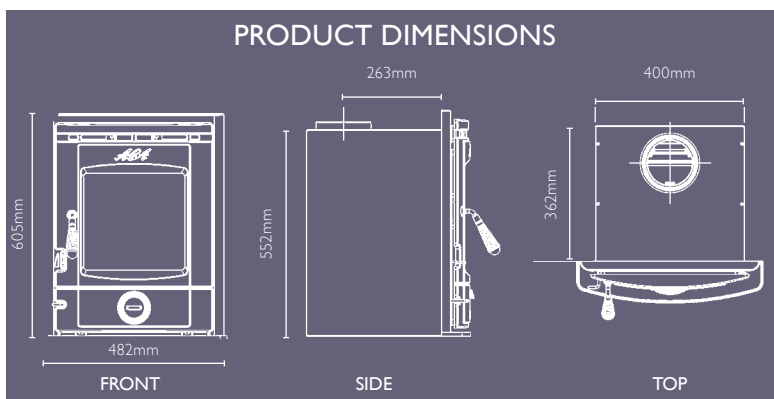
Designed to the highest AGA standards, precisely engineered to give an extremely effective air-wash systems. It also has an adjustable secondary air wash system to ensure the glass is kept clean. The removable black handle, shaker grate, ash pan, fire fence and front ash tray all help make the Stretton exceptionally easy to use. It is just perfect for those looking for warmth and style.

The Stretton woodburning stove is now also available in a dedicated smoke exempt version (SE). The low particulate emissions from the SE model mean that this product is fully approved to burn wood in smoke exempt zones (typically associated with urban centres of population).



FUEL TYPE	FLUE	WINDOW	ENAMEL OPTION	AIR WASH	OPTIONAL BOILER
Solid Fuel and Wood	Conventional	Plain	No	Yes	No
Wood (SE only)	Conventional	Plain	No	Yes	No

Please consult your dealer for more details.



RECOMMENDED SOLID FUEL TYPES

Wood, coal, anthracite and peat briquettes (see page 11 for details).

ALSO AVAILABLE AS



*Solid fuel option is not available on the Smoke Exempt model.





LOUDLOW & LUDLOW SE

The Ludlow is a medium sized multi fuel stove with a nominal heat output of 6.5kW, (maximum heat output of 9.7kW) with 76% efficiency when burning wood logs. It has a removable shaker grate, ash pan, fire fence and front ash tray. As well as being simple and easy to use, it can be left to burn overnight.

It features the classic AGA black “cool touch” wire handle and will look equally at home in a traditional or contemporary setting.

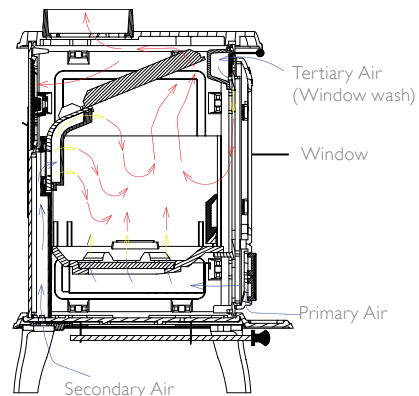
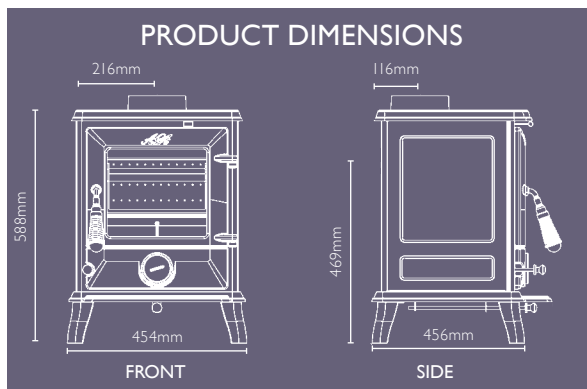
The Ludlow has been designed to exude a similar look to the existing AGA Stoves range, precisely engineered to give an effective air-wash system. This is controlled with pinpoint accuracy by the dedicated, preheated tertiary air intake.

The Ludlow woodburning stove is now also available in a dedicated smoke exempt model (SE). The low particulate emissions from the SE model mean that this product is fully approved to burn wood in smoke exempt zones (typically associated with urban centres of population).

FUEL TYPE	FLUE	WINDOW	ENAMEL OPTION	AIR WASH	OPTIONAL BOILER
Solid Fuel and Wood	Conventional	Plain	No	Yes	No
Wood (SE only)	Conventional	Plain	No	Yes	No



Please consult your dealer for more details.



RECOMMENDED SOLID FUEL TYPES

Wood, coal, anthracite and peat briquettes (see page 11 for details).

ALSO AVAILABLE AS



*Solid fuel option is not available on the Smoke Exempt model.





Little Wenlock Classic SE

The Little Wenlock Classic Smoke Exempt - a dedicated Smoke Exempt version of the best selling Little Wenlock Classic.

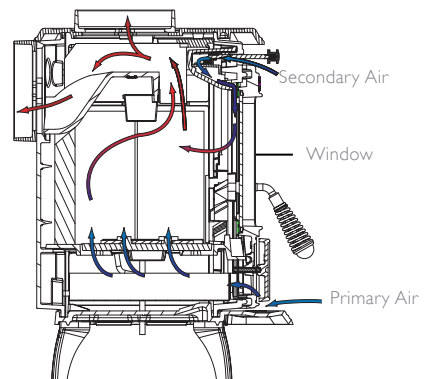
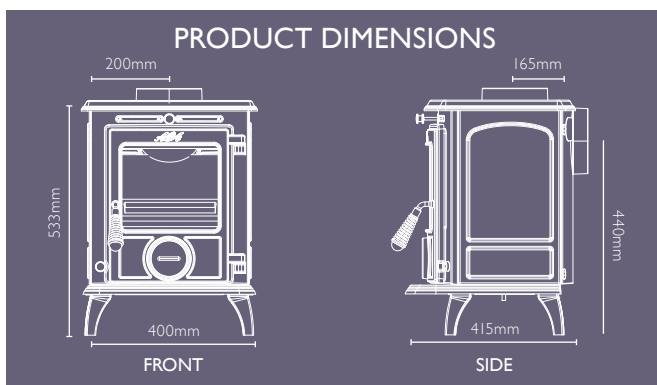
A carbon neutral, renewable and cost effective energy source there has never been a better time to bring the warmth and heart-warming appeal of a real fire into your living room.

Specifically designed to burn wood - and to burn it so efficiently as to meet the stringent requirements of the Clean Air Act - the low particulate emissions from the Smoke Exempt means that this product is fully approved to burn wood in smoke control zones (typically associated with urban centres of population). Nominal heat output on the Smoke Exempt is 4.7kW (maximum heat output of 7kW).

The Little Wenlock Classic Smoke Exempt - your fully approved Exempted Appliance - the perfect blend of old and new - combining cutting edge technology with traditional cast iron style and performance.

FUEL TYPE	FLUE	WINDOW	ENAMEL OPTION	AIR WASH	OPTIONAL BOILER
Wood	Conventional	Plain	No	Yes	No

Please consult your dealer for more details.



RECOMMENDED SOLID FUEL TYPES

Dry Seasoned Wood Logs

*Higher or lower outputs can be obtained by lengthening or shortening the refuelling interval.



*Solid fuel option is not available on the Smoke Exempt model.



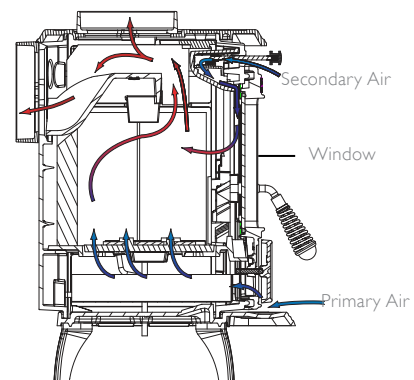
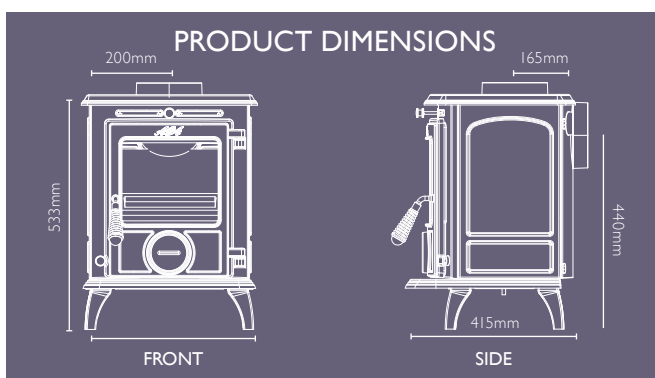


LITTLE WENLOCK *Classic*

The Little Wenlock Classic is the perfect blend of old and new, it combines cutting edge design with traditional casting beauty. A small cast iron multi-fuel stove with dedicated preheated secondary air and a nominal heat output of up to 4.7kW (maximum heat output of 7kW). It offers top or rear flue connection, a high chrome riddling grate, a built-in ash pan, combustion air control, interchangeable wood burning plate and one of the most effective air-wash systems available to keep the glass clean. The Little Wenlock Classic is 81.2% efficient.

FUEL TYPE	FLUE	WINDOW	ENAMEL OPTION	AIR WASH	OPTIONAL BOILER
Solid Fuel and Wood	Conventional	Plain	No	Yes	No

Please consult your dealer for more details.



RECOMMENDED SOLID FUEL TYPES

Smokeless - Ancit, Centurion, Coalite (Nuts), Maxibrite, Phurnacite, Sunbrite (Doubles), Extracite, Blazebrite, Anthracite (Large Nuts), Welsh Dry Steam Coal (Large Nuts), Dry Seasoned Wood (see page 11 for details).





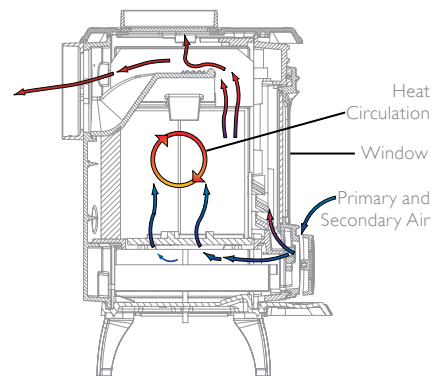
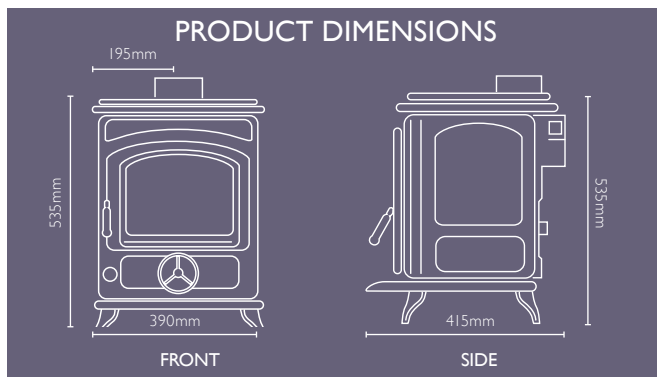


LITTLE WENLOCK

The Little Wenlock is a highly versatile stove. With traditional moulded detailing, arched side panels and the distinctive wire handle so reminiscent of an AGA – which means that it will look perfect in almost any setting. Featuring a nominal output of up to 5.7kW, (and a maximum output of 8kW) with 79% efficiency this solid fuel and wood stove is ideal for small to medium sized rooms.

FUEL TYPE	FLUE	WINDOW	ENAMEL OPTION	AIR WASH	OPTIONAL BOILER
Solid Fuel and Wood	Conventional	Plain	No	Yes	No

Please consult your dealer for more details.



RECOMMENDED SOLID FUEL TYPES

Smokeless - Ancit, Centurion, Coalite (Nuts), Maxibrite, Phurnacite, Sunbrite (Doubles), Extracite, Blazebrite, Anthracite (Large Nuts), Welsh Dry Steam Coal (Large Nuts), Dry Seasoned Wood (see page 11 for details).



The Little Wenlock is now only available in Matt Black finish.



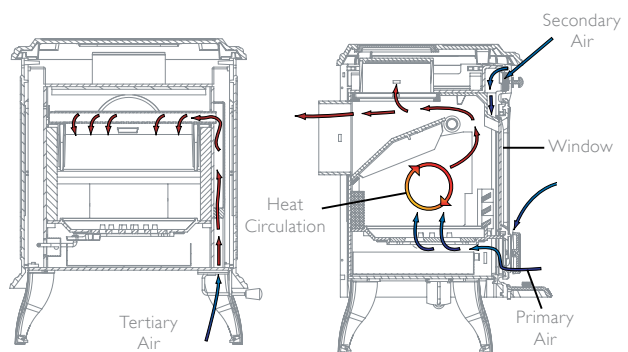
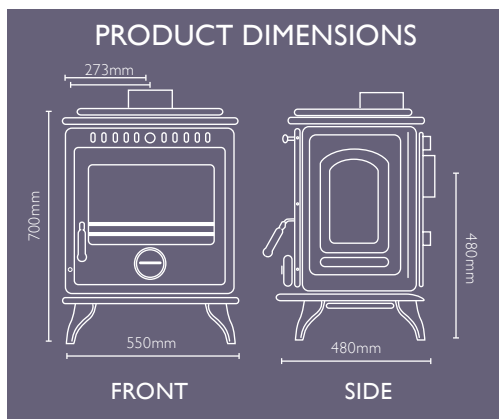


MUCH WENLOCK CLASSIC

The Much Wenlock Classic is a medium sized solid fuel and wood stove with a nominal heat output of 5.5kW (maximum 8.3kW) with 77% efficiency. It is suitable for burning wood, coal, anthracite and peat briquettes. It has a removable shaker grate, ash pan, fire fence and front ash tray. It's simple and easy to use and can be left to burn overnight. This stove also has a black stay cool handle with an air inlet control.

FUEL TYPE	FLUE	WINDOW	ENAMEL OPTION	AIR WASH	OPTIONAL BOILER
Solid Fuel and Wood	Conventional	Plain	No	Yes	No

Please consult your dealer for more details.



RECOMMENDED SOLID FUEL TYPES

Smokeless - Ancit, Centurion, Coalite (Nuts), Maxibrite, Phurnacite, Sunbrite (Doubles), Extracite, Blazebrite, Anthracite (Large Nuts), Welsh Dry Steam Coal (Large Nuts), Dry Seasoned Wood (see page 11 for details).





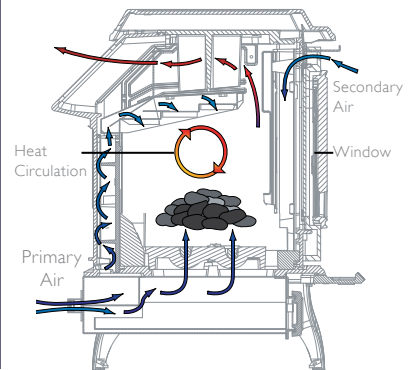
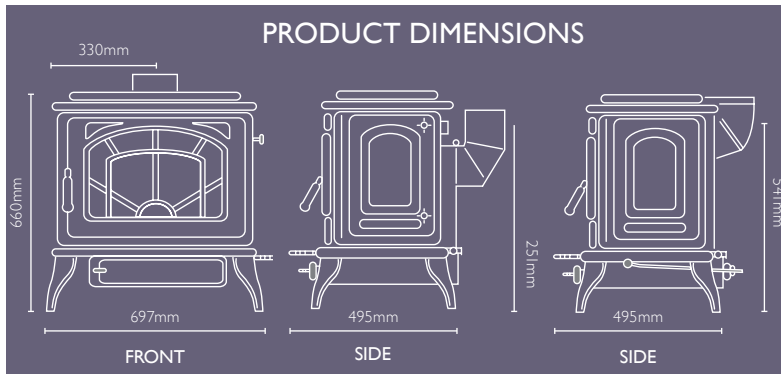


BERRINGTON

A truly elegant design, the Berrington has a distinctive pebbled door surround, with a beautiful paned effect window. This large stove, ideal for the family home, has a nominal heat output of up to 8.5kW (and a maximum heat output of 12kW) with 76% efficiency. It can be left safely to burn overnight and the removable grate system makes it easy to clean.

FUEL TYPE	FLUE	WINDOW	ENAMEL OPTION	AIR WASH	OPTIONAL BOILER
Solid Fuel and Wood	Conventional	Paned	Yes	Yes	No

Please consult your dealer for more details.



RECOMMENDED SOLID FUEL TYPES

Smokeless - Ancit, Centurion, Coalite (Nuts), Maxibrite, Phurnacite, Sunbrite (Doubles), Extracite, Blazebrite, Anthracite (Large Nuts), Welsh Dry Steam Coal (Large Nuts), Dry Seasoned Wood (see page 11 for details).



MATT BLACK



GLOSS BLACK ENAMEL



GLOSS MAJOLICA BROWN ENAMEL

ACTIVE AIRFLOW SYSTEM



WOOD



SOLID FUEL



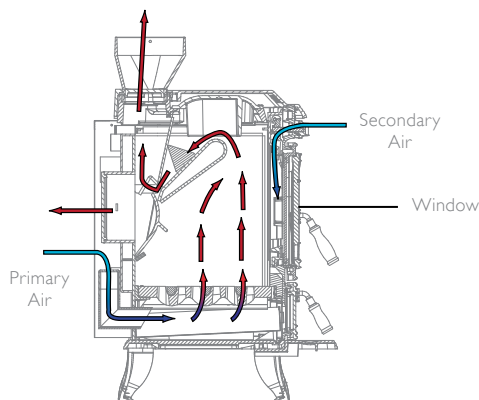
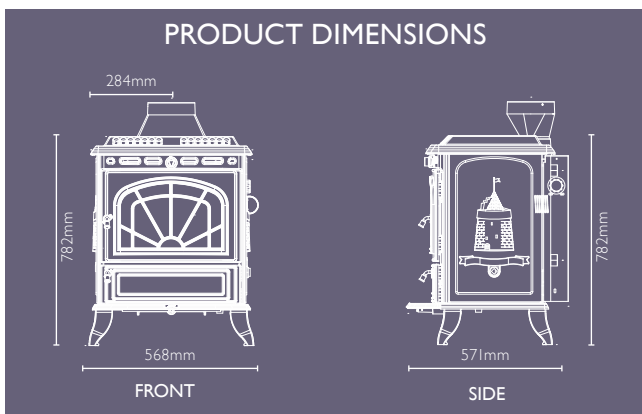


MINSTERLEY

As one of our larger stoves, the Minsterley not only provides central heating but also generates a plentiful source of hot water for your home, with a nominal heat output of 7.5kW to water (and a maximum output of 11.2kW to water). The Minsterley features a thermostatic (water temperature) control as well as primary and secondary air intakes for optimum control. Its versatility means that as well as burning wood it can also burn coal, peat briquettes or smokeless fuel through use of the interchangeable wood burning plate. Combining the power and efficiency of its heat output, the Minsterley is the perfect choice for the family home.

FUEL TYPE	FLUE	WINDOW	ENAMEL OPTION	AIR WASH	OPTIONAL BOILER
Solid Fuel and Wood	Conventional	Paned	No	Yes	Boiler Only

Please consult your dealer for more details.



RECOMMENDED SOLID FUEL TYPES

Smokeless - Ancit, Centurion, Coalite (Nuts), Maxibrite, Phurnacite, Sunbrite (Doubles), Extracite, Blazeprite, Anthracite (Large Nuts), Welsh Dry Steam Coal (Large Nuts), Dry Seasoned Wood (see page 11 for details).







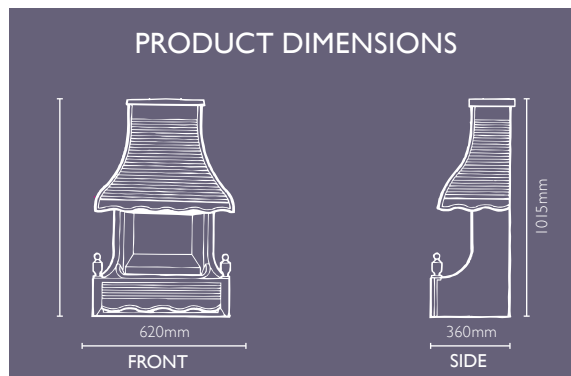
REMBRANDT

A cast iron variation on the open grate, in a contemporary matt black finish. The Rembrandt has a beautifully ribbed canopy hood and front plate. With a heat output up to 3.6kW, the Rembrandt is far more efficient than conventional hearths, as it has a controllable air input and an adjustable throat plate inside the canopy, which reduces heat loss up the chimney.

Unlike most open fires, the Rembrandt's cast iron hood radiates additional heat into your room giving a higher efficiency. It is the only open convector fire that is HETAS listed.

FUEL TYPE	FLUE	WINDOW	ENAMEL OPTION	AIR WASH	OPTIONAL BOILER
Solid Fuel	Conventional	N/A	No	N/A	No

Please consult your dealer for more details.



RECOMMENDED SOLID FUEL TYPES

Smokeless - Ancit, Centurion, Coalite (Nuts), Maxibrite, Phurnacite, Sunbrite (Doubles), Extracite, Blazeprite, Anthracite (Large Nuts), Welsh Dry Steam Coal (Large Nuts) (see page 11 for details).



MATT BLACK



SOLID FUEL

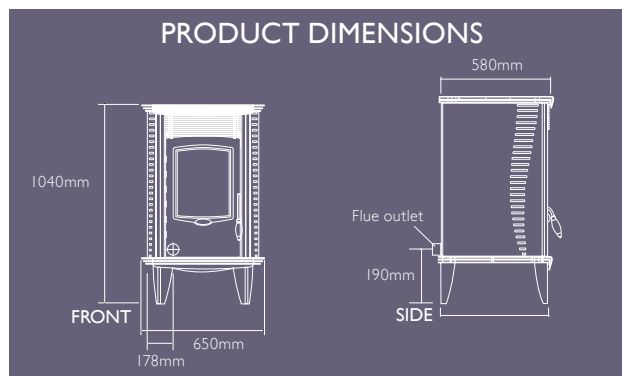




FUSION PELLET STOVE

Clean lines and compact design combine high efficiency, clean burning and automatic control with all the warmth and comfort of wood heating. With up to a 13kW output, the Fusion provides a beautiful warmth and is suitable for any large room. The AGA Fusion Pellet Stove efficiently, conveniently and cheaply converts biomass in the form of Wood Pellet Fuel to heat while giving off almost no wood smoke, helping to protect the environment.

FUEL	EFFICIENCY	WINDOW	ENAMEL OPTION	OPTIONAL BOILER	NOMINAL HEAT OUTPUT
					Minimum 4.1kW
Wood Pellets	90.4%	Plain	No	No	Maximum 13kW



RECOMENDED SOLID FUEL TYPES

Wood Pellet Fuel is a renewable, clean-burning biomass product made from renewable substances, normally recycled waste wood or short rotation coppice wood.



MATT BLACK



WOOD PELLET FUEL

PRODUCT SPECIFICATION

Models	Nominal Heat Output*				Efficiency	
	Space		Water			
	Wood	MSF	Wood	MSF	Wood	MSF
Stretton	4.9kW	4.4kW	n/a	n/a	78.4%	70%
Stretton SE	4.9kW	n/a	n/a	n/a	78.4%	n/a
Ludlow	6.5kW	6.2kW	n/a	n/a	76.2%	69.2%
Ludlow SE	6.5kW	n/a	n/a	n/a	76%	n/a
Little Wenlock - Classic SE	4.7kW	n/a	n/a	n/a	71.4%	n/a
Little Wenlock - Classic	4.7kW	4.7kW	n/a	n/a	81.2%	70.1%
Little Wenlock - Solid Fuel and Wood	5.7kW	4.2kW	n/a	n/a	79.4%	78.8%
Much Wenlock - Classic	5.5kW	4.1kW	n/a	n/a	77.3%	71.3%
Berrington - Solid Fuel and Wood	8.2kW	8.5kW	n/a	n/a	74.2%	76.8%
Rembrandt	-	3.6kW	n/a	n/a	n/a	n/a
Minsterley with Boiler	3.6kW	5kW	7.5kW	7.3kW	69%	73%
Fusion Pellet Stove	4.1kW-13kW	n/a	n/a	n/a	90.4%	n/a

*Higher or lower outputs can be obtained by lengthening or shortening the refuelling interval. MSF = Manufactured Solid Mineral Fuel

Models	Height (mm)	Width (mm)	Depth (mm)	Height to centre of rear flue (mm)	Flue outlet Dia only (mm)	Flue Requirement	Height of top tapping (mm)	Weight (kg)
Stretton	605mm	482mm	362mm	n/a	153mm	Class I	n/a	100
Stretton SE	605mm	482mm	362mm	n/a	153mm	Class I	n/a	100
Ludlow	588mm	454mm	456mm	469mm	125mm	Class I	n/a	77
Ludlow SE	588mm	454mm	456mm	469mm	125mm	Class I	n/a	77
Little Wenlock - Classic SE	533mm	400mm	415mm	440mm	125mm	Class I	n/a	69
Little Wenlock - Classic	533mm	400mm	415mm	440mm	125mm	Class I	n/a	69
Little Wenlock - Solid Fuel and Wood	535mm	390mm	415mm	535mm	125mm	Class I	n/a	66
Much Wenlock - Classic	700mm	550mm	480mm	480mm	150mm	Class I	n/a	137
Berrington - Solid Fuel and Wood	660mm	697mm	495mm	446mm	150mm	Class I	n/a	186
Rembrandt	1015mm	620mm	360mm	n/a	200mm	Class I	n/a	102
Minsterley with Boiler	782mm	568mm	571mm	658mm	153mm	Class I	n/a	178
Fusion Pellet	1040mm	650mm	580mm	190mm	80mm	n/a	n/a	115

Nominal efficiency and outputs based on refuel every 1.5 hours for wood and 4 hours for solid mineral fuel. All solid fuel AGA Cast Iron Stoves are tested to BS:EN13240 and HETAS approved.

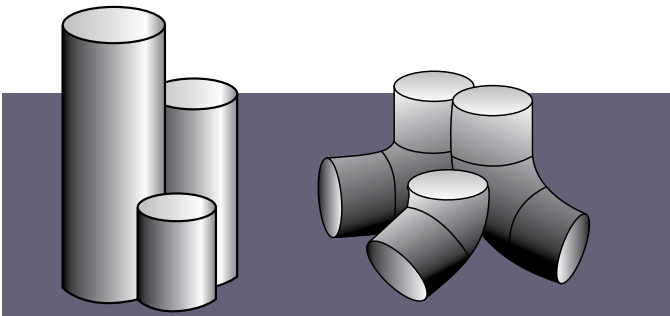
Note: Bituminous coals do not have the same consistency of grade as other solid fuels. Accordingly, please use only those on selected list available from your stockist or heating

engineer and only burn them on a medium or high setting. If the appliance is being operated on wood at a low setting for long periods excess tarring will result.

We recommend that you consult your AGA stockist or qualified heating engineer before making your final stove choice, to be sure the heat output and choice of fuel is most suited to your needs.

PRODUCT SPECIFICATION

CAST IRON PIPES AND BENDS



Enamel finishes available in Black and Majolica Brown

When installing your AGA products, we recommend that you use AGA parts and flue systems only. See chart below for the full range of recommended pipes and bends.

NOTES:

1. Rated output for solid fuels are based on Ancit Test Fuels. Outputs may vary with other types of fuel.
2. Solid fuel stoves burn on selected bituminous coals, most smokeless fuels and dry woods. The Little Wenlock Smoke Exempt burns wood only.
3. For minimum clearance to the side of all appliances, please refer to the installation instructions.
4. For minimum chimney diameters, please refer to the installation instructions.
5. Installations must conform to current Building Regulations and any local bylaws.
6. The door glass may blacken on lower fire settings.
7. All stoves with boilers have four 1" BSP tappings for water connections. The size of stove that you will need for your own particular requirements is obviously something you can decide – but your appointed AGA stockist will be pleased to advise you.
8. All solid fuel stoves have an overnight burning capability. However, it is not recommended to burn bituminous coal for prolonged periods on a low fire. If considering use of manufactured solid fuels, please consult your stockist or heating engineer regarding suitability.
9. This brochure is produced as a visual aid and is not intended to replace the Installation and Users Instructions, or the need to view an appliance.
10. The makers reserve the right to make alterations to design, materials or construction for manufacturing purposes or other reasons, subsequent to publication.
11. AGA stoves have a five year parts and one year labour warranty (Does not apply to consumable items; glass, bricks etc).

PRODUCT	SIZE		MATERIAL
Pipes	6" Pipe x 18"		Enamel
Pipes	6" Pipe x 18"		Matt Black
Pipes	5" Pipe x 18"		Enamel
Pipes	5" Pipe x 18"		Matt Black
Pipes	6" Pipe x 36"		Enamel
Pipes	6" Pipe x 36"		Matt Black
PRODUCT	SIZE	DEGREE	MATERIAL
Bends	6" Bend	112°	Enamel
Bends	6" Bend	112°	Matt Black
Bends	6" Bend	90°	Enamel
Bends	6" Bend	90°	Matt Black
Bends	6" Bend	45°	Enamel
Bends	6" Bend	45°	Matt Black
Bends	5" Bend	112° or 45°	Enamel
Bends	5" Bend	112° or 45°	Matt Black
Bends	5" Bend	90°	Enamel
Bends	5" Bend	90°	Matt Black

ALL OF OUR STOVES ARE APPROVED BY:



SFA (SOLID FUEL ASSOCIATION)

The Solid Fuel Association is funded by solid fuel producers and distributors and was established to encourage greater awareness of the benefits of domestic solid fuel heating among the general public. Operating as an advice centre, the Solid Fuel Association welcomes communication on all matters concerning the use of solid fuels both from domestic consumers and professionals such as heating installers and architects.



HETAS

HETAS is the official body recognised by government to approve solid fuel domestic heating appliances, fuels and services. Its work in approving products covers boilers, cookers, open fires, stoves and room heaters. Established in 1936, HETAS Ltd. is the official testing and approval body for the domestic solid fuel industry. HETAS Ltd. approves and gives the three-tick logo mark of quality assurance to solid fuels and solid fuel stoves.



CE Mark

All AGA Stoves carry the CE Mark. This means that they comply with the essential requirements of the relevant European health, safety and environmental protection legislation.

HELPFUL ADVICE

There is an AGA stove to suit every size and style of room. We recommend that you discuss your requirements with an appointed AGA authorised stove stockist, who will be happy to advise you on the heat output and choice of fuels best suited to your needs. For more details on AGA Stoves or for help in choosing the right stove for you, please contact your local authorised stove stockist dealer on the details overleaf.

For further information on AGA and its exclusive range of stoves please visit: agaliving.com

THE NEW AGA TOTAL CONTROL
ON WHEN YOU NEED IT
OFF WHEN YOU DON'T.
The AGA that works to your timetable.

AGA

Total Control



PLEASE SCAN THIS QR CODE
INTO YOUR MOBILE DEVICE

THE NEW AGA TOTAL CONTROL COOKER

With a programmable state-of-the-art touch-screen control panel and independently controllable hotplates and ovens, the new AGA Total Control cooker offers complete flexibility for 21st century living. Available now at your local AGA shop.

agaliving.com

0845 219 0414



YOUR LOCAL
AGA STOVE DEALER IS

AGA STOVES SALES
08453 381 365

stoves.agaliving.com

Copyright © AGA Rangemaster Limited 2011. Brand names, words and logos are registered trademarks of AGA Rangemaster Group, Juno Drive, Leamington Spa, Warwickshire, CV31 3RG. AGA is a trading name of AGA Rangemaster Limited. Registered in England & Wales under registered number 3872754. Registered office: Juno Drive, Leamington Spa, Warwickshire CV31 3RG England. Patent pending number 1008608.

AGA continuously seeks improvements in specification, design and production of products and thus, alterations take place periodically. Whilst every effort is made to produce up-to-date literature, this brochure should not be regarded as an infallible guide to current specification, nor does it constitute an offer for the sale of any particular appliance.



Part of the
AGA RANGEMASTER
Group

