



Cast Iron Stoves  
& Fireplaces





# Designed for Generations

## Purest

### Clean Burn

Engineered to exceed the strictest international regulations to protect people and the environment.

## Heating

### Tech-Iron

The ultimate cast iron mix developed from nearly 160 years of experience to store and distribute heat better than most other material.

## Quality – 10 Year Warranty

### Designed and produced in Norway

World Class cast iron stove and fireplaces designed, manufactured and assembled in Norway since 1853.



Jøtul is the by-word for 10 year Warranty.

## Award Winning Design

Jøtul has received numerous awards over the years, and we continue to gain recognition for design excellence as well as for our heritage as a historic icon.

We welcome you to this year's presentation of the Jøtul collection. Whether you choose one of our classic stoves or a completely new product design we promise that Jøtul will provide you with a wonderful heating experience.

Fortunately for our customers through many years, Jøtul's environmental focus has been strong from the late 1980's. We believe that sustainability is important through the whole life cycle of our products. You can read about our warmth philosophy in this brochure, and much more about our production and products on [www.jotul.com](http://www.jotul.com).

Since the beginning of time the forces of nature have created uncertainty and unpredictability. Volcanoes, earth quakes, hurricanes and ice storms can easily influence the stability in our energy supply and the safety in our everyday life. Therefore, the hearth becomes an even more important power of securing and increasing the good quality of life.

We invite you to enjoy the Jøtul collection as presented in this catalogue and on [www.jotul.com](http://www.jotul.com), and hope you will be inspired to visit one of our authorised dealers that will guide you to make the perfect Jøtul choice.

# C o n t e n t s

- 02 Introduction
- 04 Warmth Philosophy

## Modern line

- 06 Jøtul F 160 Concept
- 08 Jøtul F 260 Concept
- 10 Jøtul F 360 Concept
- 12 Jøtul F 370 Concept
- 16 Jøtul F 370 High Top Concept
- 18 Jøtul Heat Storage system
- 20 Jøtul F 470 Concept
- 22 Jøtul Cube

## Classic line

- 26 Jøtul F 602, Jøtul F 118
- 28 Jøtul F 100
- 30 Jøtul F 3, Jøtul MF 3
- 32 Jøtul F 8 TD
- 34 Jøtul F 400
- 36 Jøtul F 500
- 38 Jøtul F 600

## Built-Ins

- 40 Jøtul I 18
- 42 Jøtul I 400
- 44 Jøtul I 80
- 46 Jøtul I 160, Jøtul C 21, Jøtul C 22, Jøtul C 31, Jøtul C 33

## Gas Line

- 48 Jøtul G 400
- 50 Jøtul GF 3
- 52 Jøtul GF 100

## Technical information

- 54 Air Circulation
- 55 Stove and fireplace technology
- 56 Choosing your Jøtul Stove
- 58 Jøtul Enamel Quality
- 60 Accessories
- 61 Dimensions & Specifications Information



experience the spirit of Jøtul



# Jøtul's warmth philosophy

Where most people consider warmth to mean heating and cosiness, experience has taught us there is much more to it than that. In fact, there are six types of warmth: physical warmth and atmospheric warmth, in addition to visual, convenient, durable and sustainable warmth.

We combine our warmth philosophy, Warmth in every detail, with a rich tradition for fine craftsmanship. In doing so we design cast iron stoves and fireplaces that create the ultimate warmth experience.

## Physical warmth

To us, heating is not about creating the highest temperature, it is about creating the most comfortable temperature. Our stoves and fireplaces deliver the optimum combination of convected and radiated heat. Our own clean burn technology ensures that practically all the particles and gasses in the smoke are burned. This gives additional benefits to lower consumption of fuel; such as cleaner air locally, and less build-up of soot in the chimney which reduces the danger of chimney fire.



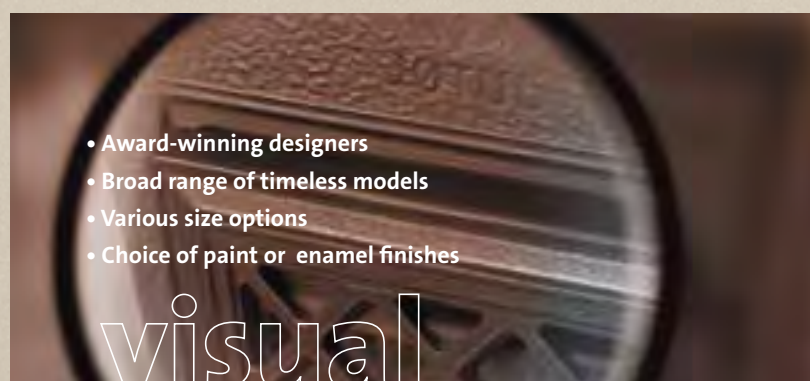
## Atmospheric warmth

Nothing creates an intimate atmosphere quite like a gently crackling fire. And nothing calms you quite like the image of a flame dancing hypnotically on a glowing log. We have always believed in the seductive powers of the visible flame. For this reason, we have developed pioneering flame technology to achieve the perfect flame at all times. Furthermore, we design our hearths with optimal fire viewing areas, so that our customers can enjoy the full effect.




## Visual warmth


The atmosphere produced by a stove or fireplace is largely dependent on the aesthetic message it sends out. We aim to create a lasting impression in the home and follow our own "design for generations" ideal to give our stoves and fireplaces a timeless appeal. We collaborate with acclaimed design houses in order to design award-winning stoves and fireplaces that outlive trends and retain their timeless beauty for decades.






- 
- Easy to operate
  - Problem-free maintenance
  - Wipe-clean glass and enamel surfaces
  - Simple installation and part replacement

convenient

- 
- Dependable cast iron durability
  - 10-year manufacturing guarantee
  - Minimum 10-year part availability
  - Cast iron heritage since 1853

durable

- 
- Minimal smoke emissions
  - Recycled materials
  - Clean burn products

sustainable

#### Convenient warmth

We put an enormous amount of effort into our hearths so our customers don't have to. The hearth is the centre-piece of the home – it is an essential part of everyday life – and for this reason it should represent total functionality. Everything about a Jøtul product is geared towards our customers' convenience: it is easy to install, easy to use, easy to clean and easy to maintain. Life is already complicated enough, so we make its pleasures a little easier to enjoy.

#### Durable warmth

Owning a Jøtul stove or fireplace is a lasting experience. Since 1853 we have employed the finest handcrafting techniques in order to provide our customers with long-lasting, durable warmth. Warmth they can trust. Because where fire is involved, safety and security are vital. Cast iron delivers the highest standard of strength and durability. As one of the world's oldest cast iron stove and fireplace manufacturers, no company delivers a longer lasting promise of quality.

#### Sustainable warmth

Our understanding of warmth enables us to create the ultimate experience of warmth. Without compromise. All the cast iron we use is recycled. And by relying mostly on hydroelectric power to smelt recycled iron, we keep polluting emissions to an absolute minimum. Furthermore, our clean burn technology ensures that our products boast the most efficient use of energy which also reduces the volumes of particles emitted locally. This means our customers can light their hearths with minimal effect on the environment.



# Wood stove with character

*The stoves are user friendly with only one vent to control both the lighting and primary air. This will help you to maintain correct combustion, which again contributes to a reduced consumption of wood with clean burn. Outside air connection is an option, and shield plate allows closer placement to combustible wall. The soapstone top accessory can finish the installation like a piece of jewellery on the stove.*

Jøtul F 162 and Jøtul F 163 are small wood stoves with a new and unique expression. The stoves have modern design made by Hareide Designmill. The size and shape makes the stove easily placed both on a flat wall or in a corner. Jøtul F 163 has glass on the side windows that gives an extra view of the flames. The side glasses have a special surface that leaves them free of soot in all effect areas. Both Jøtul F 162 and Jøtul F 163 have a short leg option which makes the overall height of the stove 704 mm.



*Jøtul F 163  
white enamel*

*Jøtul F 162*



*Jøtul F 162 with short legs*

*The addition of a convection panel makes this model especially suited for corner installations with minimum clearance to combustibles. The stove is user friendly with only one control at the bottom for both the lighting and primary air. This control makes it easier to use the stove correctly which ensures reduced fuel consumption and clean combustion. The stove also has an optional outside air connection.*



*Jøtul F 162 C (also available with side windows, Jøtul F 163 C)*





reddot design award  
winner 2011

Modern Line

Jøtul F 162 and Jøtul F 163

Jøtul F 163

Design: Hareide Design

# Elegant and practical convection stoves

The Jøtul F 260 Concept has been created by the renowned design agency Hareide Design, and includes four models to choose from depending on your needs and wishes. The combustion properties of these stoves are world-class, with very low emissions and an efficiency of 83% even at an output of 3 kW. The Jøtul F 263 and Jøtul F 263 S have large side windows, giving a delightful view of the flames. The side windows have a special surface to prevent soot and ash from obscuring the view. Two of the stoves have soapstone sides. For the majority of stoves, the soapstone is placed on the “exterior” of the stove. However, for the Jøtul F 260 Concept, the designer has made the soapstone an elegant feature of the overall form of the stove in order to give an impression of “completeness and a purity of style”.



*Jøtul F 262*

Common features of all four versions:

- Practical companion set as standard for all models. This is located on the inside of the plinth door, yet is easily accessible.
- These convection stoves are easy to position on account of their small clearance requirements – only 10 cm from combustible materials. They are therefore particularly well-suited to corner locations.
- User-friendly, with just one valve controlling both the ignition air source and the primary airflow. This is a useful aid in efficient combustion, which in turn contributes to reduced wood consumption through clean combustion.
- The ash riddling solution comes as standard.
- Simple installation, as the plinth is adjustable to take account of uneven surfaces.
- A kit for connection to an external air supply provides closed combustion (extra equipment).
- Fan for rapid heat distribution (extra equipment).



*Companion set comes as standard for all models and is located on the inside of the plinth door*



**NEW**

you  
are the  
butter  
on my  
bread



Modern Line

Jøtul F 260 Concept

*Jøtul F 263 S has large  
side windows and is shown here  
with soapstone sides*

*Design: Hareide Design*

# Elegant and stylish

Our new Jøtul F 360 Concept has six main model offerings that can be adapted so that you can tailor make the stove of your choice. The stoves have different leg variants and you can add glass and soapstone options just as you can with our award winning Jøtul F 370 Concept. Optional extra glass panels gives convection heat and also lowers the front glass surface temperature.



*Jøtul F 363 with pedestal*



*Jøtul F 364 with optional extra integral wood basket on castors.*



*Jøtul F 361 High Top*



*Jøtul F 365 cast iron with glass door*



*Jøtul F 369 stands steady on three legs*





*Modern Line*

*Jøtul F 360 Concept*

*Jøtul F 361, Black paint*

*Design: Hareide Design*

# Unique cast iron design

Welcome to the presentation of our design awarding stove concept Jøtul F 370. The stoves have innovative shapes and details with exciting diverse materials. Large side glasses give a fantastic view of the flames, and the top-of-the-range model Jøtul F 373 can be rotated 360° when it is fitted with a flue outlet at the top and the optional turn plate.



The Jøtul F 370 range features five main models with a variety of leg sets. One unique option is that the stoves can be fitted with additional glass panels. This lowers the surface temperature also on the front glass. All models come in grey or black paint.

*Jøtul F 373 is the top-of-the-range model of the concept, - tall, slim and beautiful. With a flue outlet at the top and the optional turn plate, it can be rotated 360°. This makes the flames visible from every corner of the room.*

*Jøtul F 370 has received a number of prestigious design awards such as the International red dot design award: best of the best, the Norwegian Award for Design Excellence and the US Vesta Award.*



*Jøtul F 373 black paint with soapstone top*



*Jøtul F 373 brown enamel*



*Jøtul F 373 black enamel*

*Jøtul F 373 with side windows. The stove can be rotated 360° when it is fitted with a flue outlet at the top and the optional turn plate, making the flames visible from every corner of the room.*



*Jøtul F 373 C*



reddot design award  
winner 2007 – best of the best

Modern Line

Jøtul F 373

*Jøtul F 373 black enamel*

*Design: Hareide Design*



# Base options

Jøtul F 371 has a leg set in cast iron. The shelf in the base can be removed when so desired. The stove comes in grey or black paint, and an optional top plate in soapstone makes it even more exclusive.

The Jøtul F 374 comes with a specially designed cast iron base housing an optional extra integral log box on castors. The log box is fitted with a top lid that offers added protection against possible sparks whenever the stove door is open. Remember as part of the Jøtul F 370 family the Jøtul F 374 models have side windows that provide an all round view of the flames. One unique option is that the stoves can be fitted with additional glass panels covering front, side and top of the stove. This lowers the surface temperature also on the front glass. All models come in grey or black paint.



*The log box has a lid to cover the logs, and it protects the wood against possible sparks when door is opened.*



*Jøtul F 371 with glass panel on front, sides and top*



*Jøtul F 371 with cast iron door*



*Jøtul F 374 black paint-with log box*



*Jøtul F 375 with glass sides and front*



*Jøtul F 377 with soapstone*



*Modern Line*

*Jøtul F 370 Concept*

*Jøtul F 374 with log box,  
glass front, sides and top*

*Design: Hareide Design*

# Save heating cost with Jøtul Heat Storage System



Pending



The new Jøtul F 370 High Top Concept consists of four models, and is based on the same burn chamber as the renowned the Jøtul F 370 Concept. With the optional Jøtul Heat Storage System, the heating capacity will be further improved with better heat comfort and smoother heat emission.

*Read more about  
Jøtul Heat Storage  
System on the next page*



*Jøtul F 371 High Top*



*Jøtul F 372 High Top*



*Jøtul F 375 High Top*



*Jøtul F 376 High Top*





Modern Line

Jøtul F 370 High Top Concept

Jøtul F 371 High Top

# Save heating cost with Jøtul Heat Storage System

## Storage design

The material used has an exceptional heat storage capacity, and because of the technical design solution the product gives maximum output for an extended time after the fire is out. The storage system is compact and positioned inside the top of the stove where it catches the heat produced in the burn chamber.

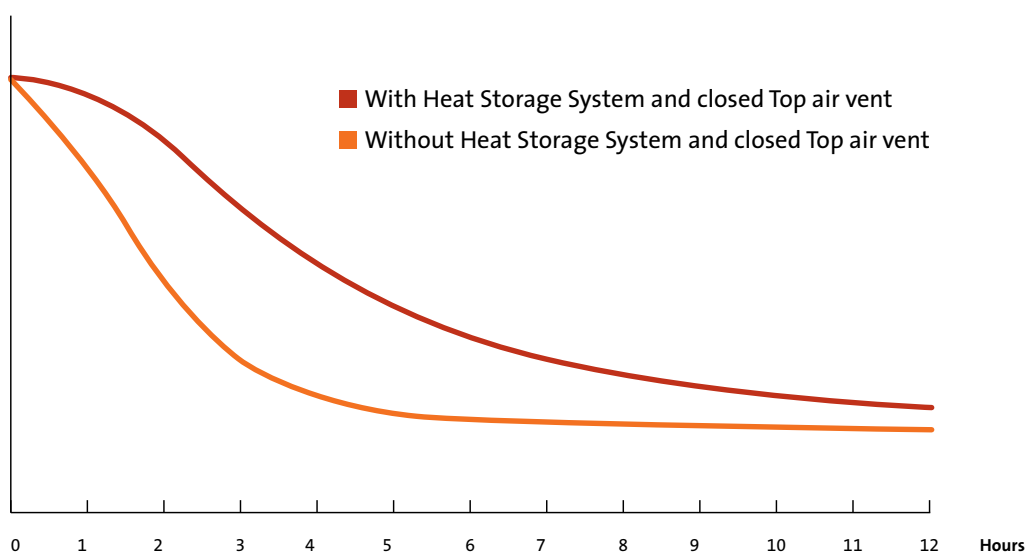


## From cold air to clean burning

1. Air intake
2. Secondary air for clean combustion
3. Preheated air circulation keeps the glass clean
4. The stored heat is circulated and kept inside the top when the air vent is closed
5. Heat outlet when the top air vent is open

### Longer heat

The Heat Storage System can result in as much as 12 hours extra heating time with closed top air vent. The test was carried out as follows: We started with a normal load of 2.25 kilo kindling wood, followed by four loads of 2.25 kilo wood every 45-50 minutes. The last load is more than enough to keep the stove warm all through the night until a new load is placed the morning after. Total firing time was 3.5-4 hours. Total wood consumption was 11.25 kg.



*The illustration shows the heat development 45-50 minutes after the last load.*



### Top air vent

An air vent at the top of the product is a feature that is standard on this product. Lighting a fire with the vent open will give a quick heating. When the vent is closed the heating time can be extended to as much as 12 hours.



# Award winner



Welcome to presentation of the Jøtul F 470 Concept. The product design is by Hareide Design; the same design house that created the award winning Jøtul F 370 Concept. The Jøtul F 470 Concept consists of freestanding stoves with an innovative tear drop shape, a large curved glass door and special details combined with exciting materials. The large curved glass door gives an exceptional view to the flames because the glass extends to the sides of the stove. Following on from its success in winning the Red Dot Design Award, the Jøtul F470 concept impressed the team of judges at the House Beautiful Awards winning Best Heating Product 2010. Entries were at a record level and the Jøtul F470 was top of the class for product innovation, style, quality and value.



*Jøtul F 471 SHD has a cast iron base*



*Jøtul F 473 SHD with pedestal on tear drop shaped base*



*Jøtul F 474 SHD with pillar on tear drop shaped base*

*The side panels are flush as part of the product, and complete the design beautifully. The choice is between solid cast iron, exquisite aluminium and opaque black glass on the first four models. The model Jøtul F 476 SHD has side panels in beautiful blue-grey soapstone, and removable covers enable rear flue outlet. There is also as standard outside air connection.*



*Sides in aluminium are flush*



*Sides and door in opaque black glass*



*Jøtul F 476 SHD with side panels in soapstone*



reddot design award  
winner 2010

Modern Line

Jøtul F 470

Jøtul F 473 SHD

Design: Hareide Design

# Jøtul Cube by Eker Design



*Due to the simplicity of design,  
The Cube has the ability to be  
altered should you change  
your mind or re-decorate.*

Jøtul Cube is based on a concept that gives considerable freedom in the choice of materials. (You can also change your mind later or even after a few years if you decide you would like to change the appearance of your fireplace in line with other interior décor changes). The concept makes the fireplaces extremely simple to install. It also gives you considerable freedom of choice and the opportunity to “build your own fireplace”.



*Jøtul Cube GG has glass front  
and sides.*



*Jøtul Cube AG has aluminium front  
and glass sides.*



*Jøtul Cube GL has glass front  
and lava sides.*



*Jøtul Cube AL has aluminium front  
and lava sides*



*Jøtul Cube WS has a wood storage system. The model can be  
delivered with glass front and sides in lavastone or glas.*



NEW

Modern Line

Jøtul Cube

*Jøtul Cube AL with Jøtul I 400  
with aluminium front and  
lavastone side panels*



Bård Eker is a well-known Norwegian industrial designer. He is the founder and managing director of Eker Group which consists of the companies Eker Design,

Eker Communications, Koenigsegg and Hydrolift.

Bård Eker is known as a colourful, energetic and highly skilled designer and entrepreneur. He is an inspiration to a whole generation of designers. For many people both in Norway and abroad his name is also linked to companies like Projectiondesign and Saab. Eker Design is a company with 25 years' experience working with Norwegian and international companies with high end products, and now also Jøtul.

“

*Jøtul Cube is an innovative product line that brings a whole new meaning to the product group fireplace surrounds. The choice and combination of materials have a high degree of innovation. Jøtul Cube is merely the beginning of a completely new fireplace experience*

”

- Bård Eker

Visit [www.jotul.com](http://www.jotul.com) and watch the film about the Jøtul Cube concept.

This film will show you both how simple it is to install a fireplace and how you can change the materials of the fireplace surround.

Jøtul Cube can be installed with the insert Jøtul I 200, Jøtul I 400 or Jøtul I 500.



*As optional equipment a companion set and log holder can be fitted to the side of the fireplace.*

NEW

Modern Line

Jøtul Cube



*Jøtul Cube GL WS med Jøtul I 400  
with glass front, lavastone sidepanels  
and a wood storage system*



# First impressions count



*Jøtul F 602 in Black paint*

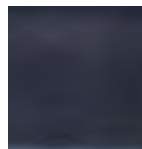
## **Jøtul F 602**

Jøtul's 'little giant'. This fashionable stove is perfectly suited to the smaller room, but is still capable of a rated heat output of 6 kW's. Available in two versions, standard (Black paint only) with a solid cast iron door or cleanburn (Black paint and Blue-black enamel) with the addition of a decorative glass door to allow you to view the fire. Both options feature a useful hotplate, capable of boiling a kettle or cooking a casserole. No wonder nearly 2 million have been sold world-wide.

*Colour swatches for  
Jøtul F 118 and Jøtul F 602*



*Black paint*



*Blue-black  
enamel*



*Jøtul F 118 CB in Black paint*

## **Jøtul F 118 CB**

This classic stove has been redesigned for the present and future. Jøtul's clean-burn technology has been added, resulting in less smoke emissions. A kettle simmering on the hotplate will ensure a warm welcome for any visitors. Multiple flue outlet options, top, side or rear, mean the Jøtul F 118 can be installed virtually anywhere. It can also take longer than average log lengths.



DESIGN

Classic Award for  
Design Excellence  
Awarded by the  
Norwegian Design Council

Classic Line

Jøtul F 118, Jøtul F 602 N

Jøtul F 602 N with glass door in Black paint

# Small, but effective

The Jøtul F 100 offers all of the sophistication and styling of traditional Jøtul quality, integrated with the latest heating know-how, to bring you a stove that has been well thought-out when it comes to the needs of typical homes. Sized to fit most fireplace openings, measuring only 570 mm (H) by 526 mm (W) by 336 mm (D). There is also a “multi-fuel” version available with built in grate, which allows selected smokeless fuels besides wood to be used.

The Jøtul F 100 may be small, but it doesn't lack heat output. Capable of providing 7.0 Kw's heat, Air wash and cleanburn systems all as standard.

The three “multi-fuel” models of the Jøtul F 100 are now DEFRA approved for wood burning in smoke controlled areas.

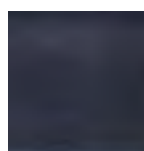


*Models 350710, 350711  
and 350794 only*

## Colour swatches



*Black paint*



*Blue-black  
enamel*



*The popular “multi-fuel” model with built in grate also comes in a plain door option in Black paint only.*

Jøtul F 100 with gothic tracery door comes as either a dedicated woodburner or with a built in “multi fuel” grate to burn other solid fuel besides wood.

Both these models come in either black paint or blue black enamel.

There is a plain door version available with the multi fuel grate built in as standard, this only comes in a black paint finish.





Classic Line

Jøtul F 100

Jøtul F 100 Black paint



# Built to last

## Jøtul F 3

Jøtul F 3 is the advanced model of the popular Jøtul F 3 TD, with cleanburn technology for greater efficiency and controlability and an integral ash solution for ease of use. Cast with clean classical lines, the Jøtul F 3 is offered in traditional Matt Black or with one of Jøtul's iridescent enamel finishes, Blue-black, Ivory and Majolica Brown.



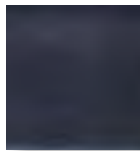
*The Jøtul F 3 TD has airwash and solid cast iron base. Also there is an optional multi fuel kit that converts the Jøtul F 3 TD into a multi fuel stove*

Adaptable with a short leg option, the Jøtul F 3 and Jøtul F 3 TD make an elegant focal point in any room. A environmentally friendly woodburning stove, the Jøtul F 3 is also capable of burning a mixture of wood and selected smokeless fuels. Only on the Jøtul F 3 can you use a matching décor ring to complete the top flue option.

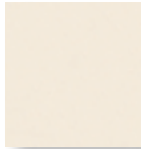
*Colour swatches for Jøtul F 3*



*Matt Black paint*



*Blue-black enamel*



*Ivory enamel*



*Majolica Brown enamel*



*Note: Jøtul MF 3 Black paint, plain door*

*Jøtul F 3 TD and Jøtul MF 3 come in Black paint only*

## Jøtul MF 3

This is a true multi-fuel version of the iconic cast iron Jøtul F 3. Available in Black paint only, the plain door gives an uninterrupted view of the fire. With primary air control on the ash pan door and secondary air via the control at the top of the stove, user friendliness comes as standard with this model. It comes complete with an easy to remove bottom grate. The Jøtul MF 3 redefines the word classic.



Classic Line

Jøtul F 3, Jøtul F 3 TD, Jøtul MF 3

Jøtul F 3 in Blue-black enamel



# Built to last

We wanted a classic, elegant look when we designed the Jøtul F 8. One that would complement any interior decor. So we travelled to Williamsburg, Virginia in North America and other historic sites, to study classic colonial design. Our research uncovered a beautiful corner cupboard, hand crafted by a master cabinet maker, circa 1750. It served as the inspiration for our own master craftsmen, who carefully adapted its simple, graceful features. Creating a stove beautiful enough to be a cherished piece of furniture.

*The Jøtul F8 allows air to enter the firebox from two directions for more efficient combustion. Primary air goes directly to the fire. Secondary air flows under the bottom burn plate and enters the firebox from behind. Here, as it passes above the hottest part of the fire, it kindles unburned gases that have been released by the burning wood. The result: more complete combustion, more heat from your wood and better fuel economy.*



*The Jøtul F 8 TD Matt Black paint*



Classic line

Jøtul F 8

Jøtul F 8 TD in Matt black paint

# A cast iron promise of warmth



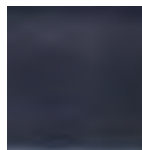
*Jøtul F 400 plain door option*

With an impressive rated heat output of 8 kW, the Jøtul F 400 combines Jøtul style with technology to give an outstanding stove at home in any surroundings. A single air-washed decorative glass door provides a clear view of flames through classic 'gothic' arches. Performance has not been overlooked, the very latest in cleanburn technology is standard, giving you a highly efficient stove to create our 'cast iron promise of warmth'.

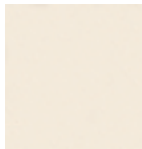
## *Colour swatches for Jøtul F 400*



*Black paint*



*Blue-black enamel*



*Ivory enamel*



*Majolica Brown enamel*



*Jøtul F 400 Majolica Brown enamel*

The Jøtul F 400 has decorative interior burn plates, an integral ash solution for added convenience and a reversible 6" flue collar. For room sealed installations there is also an external air connection kit available (see installation manual). The Jøtul F 400 is also capable of burning a mixture of wood and selected smokeless fuels.





Classic Line

Jøtul F 400

Jøtul F 400 in ivory enamel

# Creating the right impression in any home



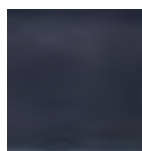
*Jøtul F 500 plain door option*

The Jøtul F 500 has one of the largest styled doors available, which allows for an unbridled view of the flame picture through timeless 'gothic' design. Side and front door loading options allow for the stove to be positioned in a multitude of settings. At 9 kW rated heat output, the Jøtul F 500 is large enough to be the primary heat source in most homes. Like the Jøtul F 400 and Jøtul F 600, the Jøtul F 500 is designed for ease of use. One effortless to operate control, conveniently placed for easy access, regulates the entire stove. The Jøtul F 500 can also be supplied with plain door (black paint finish only).

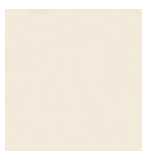
## *Colour swatches for Jøtul F 500*



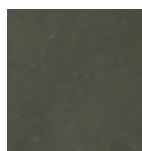
*Black paint*



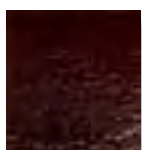
*Blue-black enamel*



*Ivory enamel*



*Green enamel*



*Majolica Brown enamel*



*Jøtul F 500 in Green enamel*

*Jøtul F 500 has an external air connection kit available .*





*Classic Line*

*Jøtul F 500*

*Jøtul F 500 in Blue-black enamel*



# Biggest is best



*Jøtul F 600 has an external air connection kit available.*

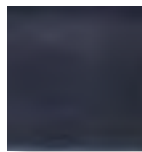
With all of the technological features of its smaller cousins, the Jøtul F 600 is indeed a 'classic' stove. Designed to have room for considerable sized logs, the Jøtul F 600 has a large firebox volume to heat much larger rooms.

Superbly crafted with a side-loading door for added convenience and an easily accessed ashpan.

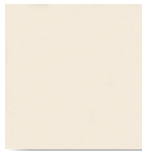
*Colour swatches for Jøtul F 600*



*Black paint*



*Blue-black enamel*



*Ivory enamel*



*Majolica Brown enamel*



*Jøtul F 600 Ivory enamel*



*Classic Line*

*Jøtul F 600*

*Jøtul F 600 in Blue-black enamel*

# Warmth from efficiency

*With a canopy, available to suit from Jøtul (UK) Ltd, the Jøtul I 18 becomes an ideal and impressive inglenook appliance. The Jøtul I 18 can be installed free standing by the adaptation of the supporting legs provided, or with a matching curved plinth similar to picture on page 41. Please consult your Jøtul dealer for advice.*

Jøtul's built-in fireplaces offer the convenience and efficiency of a closed combustion fireplace with the look of a large open fire, if you choose to open the doors. The Jøtul I 18 is styled to give you door options to allow you the freedom of choice. The 'Harmony' bi-fold doors can be folded back to allow you full viewing access to the fire, consequently creating the atmosphere of an open fire. If you leave the room, or want greater efficiency, the doors can be closed and you can still view the fire through the large glass panels.



*Jøtul I 18 'Panorama' Blue-black enamel. Optional matching curved plinth available similar to picture on page 41*

The 'Panorama' door option is a one-piece curved glass door believed to be the largest glass area available on any built-in fireplace in the UK market.

N.B.

Please refer to manual for information on installation methods and requirements. Canopy style may differ from brochure.





Classic Line

Jøtul I 18

*With a canopy and modified legs or optional plinth the built-in becomes a free-standing option for your open fireplace.*

*Jøtul I 18 "Harmony" Blue-black enamel*

# Best of Both Worlds

Jøtul I 400 Harmony and Jøtul I 400 Panorama offer a choice between freestanding installations or the ability to be used as an Insert in a convection heat system (please refer online to the installation manual). The new Jøtul I 400 firebox has a vermiculite finish that helps to create a highly efficient rated output of 6kw. As a freestanding model you can choose between either a narrow or wide canopy with matching decorative base plinth.



*Narrow canopy detail*



*Wide canopy detail*



*Jøtul I 400 with Harmony doors open, narrow canopy and matching decorative plinth*





Built-ins

Jøtul I 400

*Jøtul I 400 Harmony with narrow canopy  
and optional plinth*



# Efficiency with time-honoured style

## **Jøtul I 80 RH**

The Jøtul I 80 RH with 'Harmony' doors has the Jøtul airwash system as standard.

*By cutting down and spray painting the legs on site by your installer all Jøtul I 80 models are equally at home in an inglenook setting with the optional canopy, available to suit from Jøtul (UK) Ltd.*



*Jøtul I 80 Maxi Harmony Matt Black paint*

## **Jøtul I 80 Maxi**

The Jøtul I 80 Maxi has cleanburn technology and the Jøtul airwash system as standard and the contemporary 'Harmony' bifolding doors. The Jøtul I 80 RH is exactly the same size and rated output as the Jøtul I 80 Maxi but does not come with cleanburn technology as standard.

*The Jøtul I 80 Maxi Harmony can be converted to free standing by the addition of an optional decorative base plinth as shown opposite to aid air convection.*

N.B.

Please refer to page 54 for information on installation methods and requirements. Canopy style may differ from brochure.



Built-ins

Jøtul I 80

*Jøtul I 80 Maxi with Canopy  
and optional matching curved plinth*

# Jøtul Cassettes

The landscape 'air washed' doors on the Jøtul Cassettes not only give a wonderful view of the fire; they are the central features of these built in fireplaces. Ideally sized to fit most conventional fireplace openings, the Jøtul Cassettes offer convected heat circulation to reach out to the corners of your room. Capable of producing up to an impressive 12 kW heat output, the Jøtul Cassettes give you the pleasures of traditional home heating combined with an astounding fire view.



*Jøtul C 21 Black paint*



*Jøtul C 22 Black paint*



*Jøtul C 31 Blue-black enamel*

There are four models in the range Jøtul C 21 and Jøtul C 22, both with 6 kW's of rated heat output and Jøtul C 31 and Jøtul C 33 with 8 kW's of heat output.





Cassettes

Jøtul I 160, Jøtul C 21, Jøtul C 22, Jøtul C 31, Jøtul C 33

Jøtul C 33 Blue-black enamel

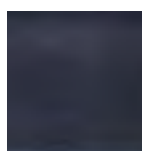
# The latest addition to the Jøtul gas family

The Jøtul GF 400 CF presents the perfect union of high efficiency and cast iron beauty. Its classic lines and Gothic arch double doors, frame a hand crafted log set. Complete with flames and glowing embers that give the Jøtul GF 400 CF unrivalled realism within the stove industry. This coupled with the availability of our revolutionary new cast iron and stainless steel burner the Jøtul Burner™. Popular options include: antique brick panel kit and short leg kit together with a choice of enameled colour finishes or classic matt black paint.

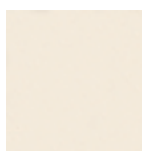
## Colour swatches



*Black paint*



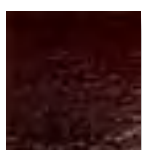
*Blue-black enamel*



*Ivory enamel*



*Majolica Blue enamel*



*Majolica Brown enamel*



*Jøtul GF 400 CF, 'Log effect'*



*Jøtul burner™*

*Jøtul heatfin™*

Revolutionary new Jøtul Burner™ delivers unsurpassed gas burner technology and flame picture realism. The Handcrafted ceramic fibre log set burns with the glowing warmth of a real wood fire. Standard reversible flue collar for top or rear exit capability. Large fire viewing area with open door capacity - an industry pioneer! Durable, furniture quality cast iron construction. Rear On/Off Switch. Natural convection for increased air circulation. Jøtul HeatFin™ technology means great heating capacity and a minimum heat loss. No electricity required to operate stove. Conversion kit included for use with LPG.



Classic Gas Line

Jøtul GF 400 CF

Jøtul GF 400 CF  
Majolica Brown enamel



# Choose wood burning realism

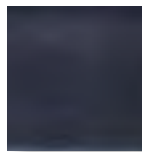
*Within the all new Jøtul GF 3 range, the latest in gas fire knowledge has been incorporated to allow you to get pleasure from dancing flames and glowing logs to create a magnificent focal point for any room.*

The Jøtul GF 3 CF 2 presents the perfect union of high efficiency and cast iron beauty. Its classic lines and Gothic arch double doors frame a hand crafted log set, flame and glowing embers with realism unrivalled in the fireplace industry. Fuelled by the durability of our revolutionary new cast iron and stainless steel burner – the Jøtul Burner™. This stove is the best selling gas stove in the long history of Jøtul. Popular options include: antique brick panel kit and short leg option together with a choice of enamelled colour finishes or classic black paint.

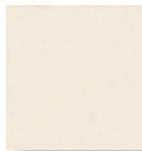
*Colour swatches for Jøtul GF 3 CF 2*



*Black paint*



*Blue-black enamel*



*Ivory enamel*



*Majolica Blue enamel*



*Majolica Brown enamel*



*Jøtul GF 3 CF 2 in Ivory enamel*

Jøtul's exclusive open door fire viewing feature, has been incorporated into the Jøtul GF 3 Gas stove. This allows you the choice of seeing the whole 'running flame' picture by opening the double doors, giving a more contemporary feel to the stove or, by choosing to close the doors, this transforms the stove back to its more classic 'timeless' look. It also comes with an installer friendly LPG conversion kit.



*Conveniently positioned ON / OFF switch*



*Classic Gas Line*

*Jøtul GF 3 CF 2*



*Jøtul GF 3 CF 2 in  
Blue-black enamel*

# Jøtul Balanced Flue Stoves

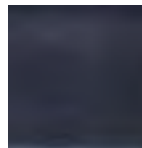
The balanced flue Jøtul GF 100 & Jøtul GF 3 models have an inventive flue design, where almost every likely installation can be realised in either natural or LPG gas. Ideally suited to fit most fireplace openings, or flexible enough to be installed on a solid wooden floor or on a 12mm non-combustible hearth.

The Jøtul GF 100 BF 2 can be effortlessly installed in conservatories, extensions and family rooms without the need for a direct electricity supply. The Jøtul GF 3 BF 3 is equipped with an exclusive open door fire viewing feature. This allows you the choice of seeing the whole 'running flame' picture by opening the double doors, giving a more contemporary feel to the stove or, by choosing to close the doors, this transforms the stove back to its more classic 'timeless' look.

*Colour swatches for GF100BF2*



*Matt Black paint*

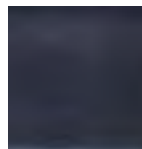


*Blue-black enamel*

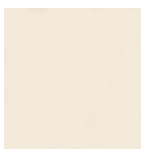
*Colour swatches for GF3 BF3*



*Matt Black paint*



*Blue-black enamel*



*Ivory enamel*



*Majolica Brown enamel*



*Jøtul GF 3 BF 3 Ivory enamel*

The control valve that can be adjusted by hand to provide a constant heat output, or with the addition of the optional remote control, Jøtul GF 100 BF 2 only, can be set to offer an output thermostatically equivalent to the desired room temperature.

Jøtul GF 100 BF 2 comes with a choice of both logs and coals while the Jøtul GF 3 BF 3 comes with log effect as standard and both offer natural convection to increase heat circulation to the furthest corners of the room.





Classic Gas Line

Jøtul GF 100 BF / Jøtul GF 3 BF 2

Jøtul GF 100 BF 2  
Blue-black enamel, 'Log effect'

# Air circulation - Jøtul I 80, Jøtul I 18, Jøtul I 160



*The cassette assembly kit for Jøtul I 80 must be ordered separately and consists of short legs, top and bottom venting panels (340956)*

*Jøtul I 80 'Harmony', with optional Cassette Assembly Kit*

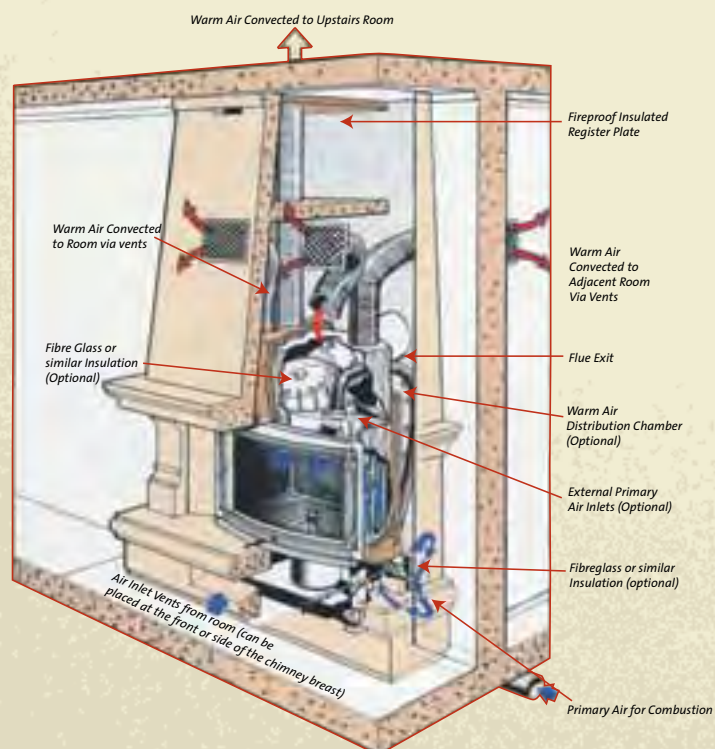
*The Jøtul I 18, Jøtul I 80, Jøtul I 400 and Jøtul I 160 range can be installed as single-room heaters, with warm air convected to the room through vents or with full warm air distribution, where up to 4 warm air ducts can be directed to neighbouring rooms by including the Warm Air Distribution Chamber in your installation.*

## Correct Installation of Jøtul I 18, Jøtul I 80 & Jøtul I 160

It is vital to allow free circulation of air all around the firebox, both to avoid the unit overheating and to achieve optimal heating efficiency. Provision for the minimum requirement for 'free air' vents in and out of the sealed fireplace opening or chimney breast, must be provided in-order for the convection system to work properly. (please see Installation Instructions provided with the fireplace or download from [www.jotuluk.com](http://www.jotuluk.com) for full details)

*The illustration on this page shows a typical installation method, complete with the optional Warm Air Distribution Chamber. It is intended to show the common methods involved and should not be used as a replacement for the detailed Installation Manual supplied with each fireplace.*

*Please ensure that the appropriate Building Regulations are strictly followed, relating to the installation of solid fuel heating appliances.*



# Stove and fireplace technology explained

Jøtul's cleanburn technology is modern combustion engineering at it's finest. What results from this technology is a Jøtul stove or fireplace that is environmentally friendly, more efficient and saves on fuel.



## Cleanburn

Tertiary air is brought into the rear of the stove, circulated via internal ducting to pre-heat the air. It is then, as it gains momentum, injected via a row of factory machined holes into the top of the Jøtul combustion chamber. This action causes the un-burnt gases (by-product of the fuel) to be re-ignited and burn again producing extra heat and cleaner emissions. The Jøtul stove or fireplace must be burning at its optimum temperature (350°C) to achieve clean burning efficiency and to reduce emissions.

## Primary air

Primary air is the combustion air needed to 'feed the fire' and is generally delivered via a controllable air vent on the door of the stove to the underneath of the fire.

## Secondary air

Jøtul stoves and fireplaces, with the exception of only a couple of earlier designs, all have secondary air 'air wash' systems. Preheated, controllable, air is collected through a front air intake and is jetted down the back of the high temperature ceramic glass. This system keeps any volatile by-products of combustion away from the glass, improving your view of the flame picture. By running the stove at the correct temperature in conjunction with the correct fuel the glass will remain clear



# Choosing your Jøtul stove or fireplace. What to bear in mind to meet your requirements

## Design for generations

Since 1853, Jøtul has established its' name world-wide, a name that is renowned the world over for outstanding design and performance. For over 150 years, Jøtul AS has been making cast iron wood-burning stoves and fireplaces that represent Norwegian quality at its best. Aspects such as good design, functionality and safety are taken into consideration when developing our wood-burning stoves and fireplaces. Because of this tradition, Jøtul is the preferred choice of present and future generations.



## Efficiency

You will appreciate the warmth from your Jøtul stove; the latest in technology is incorporated into your Jøtul to ensure its' clean burning, environmentally sound performance. The very latest Jøtul production technology ensures that the heat output from the wood is maximised to generate more heat into your room. It is important to choose a Jøtul that is the right size for your room. In the region of 90 % of the heat from an open fire goes up the chimney. When run at its optimum temperature, your Jøtul stove or fireplace will give out up to 80% more heat into your room.

## What size stove or fireplace do I need?

To determine the size of stove or fireplace you will require, the standard home needs 1 kW of heat per 14 cubic metres of space. To work out your requirements, multiply your room width and length measured in metres, by your room height in metres (i.e. 5 m x 7 m = 35 x 2.5 m = 87.5). This means that your room, with a normal sized window and

number of doors, has a volume of 87.5 cubic metres and will need approximately a  $(87.5 \div 14)$  6 kW Jøtul stove or fireplace. Please ask your authorised Jøtul dealer for further assistance in your choice of Jøtul stove or fireplace.

## Fuel types

**Wood:** Jøtul recommends and supplies seasoned wood, which has been well aired and has a moisture content of below 20 %.

**Multi-fuel:** Jøtul has also developed multi-fuel versions of some of its stoves to offer you the convenience of burning a variety of smokeless fuels. If you live outside a smoke control area you may burn house coal. **All petroleum based fuels must be avoided.**

**Gas:** With a Jøtul gas stove you get the fusion of efficient clean gas combustion, a realistic flame picture and a beautifully designed high quality cast iron product all in one. Jøtul gas burners are available for use with either Natural gas or LPG. Please ask your Jøtul dealer for further assistance in your choice of fuel.





### Quality

Highly sophisticated research and development, strict quality control systems that conform to 'NS-EN ISO 9001' and the very latest production technology combine to produce the ultimate in both looks and performance. Jøtul cast iron is durable enough to last generations and is 100 % recycled and recyclable.

### Finish

Our durable medium gloss porcelain enamel finish is not only the best, but also the most beautiful as it tastefully highlights the combination of textured and smooth surfaces that make up the exterior design of a Jøtul stove.

### Installation

Jøtul stoves are designed so that installation is uncomplicated for registered "competent persons". Installation of Jøtul gas stoves must be undertaken in accordance with UK requirements and must be fitted by a qualified installer. This must be a GAS SAFE REGISTERED installer who should also approve that the planned site conditions are acceptable for your Jøtul stove or fireplace. Please ask

your Jøtul dealer for their local recommendations.

### Design awards

Jøtul has received several prestigious design awards for «excellence» from the Norwegian Design Council.

### Your satisfaction revolves around our guarantee

All Jøtul stoves and fireplaces are covered by a conditional 10-year guarantee from the date of purchase, against failure due to faulty manufacture if installed by a suitably qualified engineer. This guarantee does not cover:

- Flame path or consumable equipment such as baffles, grates, firebricks, glass, ash pans, painted finishes and sealing materials such as ceramic rope and fire cement.
- Any damage resulting from improper installation or incorrect use.
- The use of non-approved Jøtul replacement parts, which will invalidate this guarantee.
- With use enamel adopts a "crazed" finish. This is normal and to be expected and enhances the appearance of a Jøtul stove.

**Please Note: The use of any petroleum based fuels revokes this guarantee.**

The Jøtul gas burner equipment is guaranteed for 1 year only. This guarantee does not affect your statutory rights.

### Seasoned wood

By burning seasoned wood your Jøtul stove or insert will meet your highest expectations. We know that it can be difficult to guarantee consistent availability of quality wood. Your Jøtul dealer is able to supply cut, clean, kiln-dried logs in easy to handle boxes. Please ask for details.

 **Award for Design Excellence**  
Awarded by the Norwegian Design Council

 **Classic Award for Design Excellence**  
Awarded by the Norwegian Design Council

# Jøtul enamel quality



*Blueblack Enamel*

Jøtul pioneered the porcelain enameling process for stoves more than 50 years ago. Our durable medium gloss porcelain enamel finish is not only the best, but also the most beautiful as it tastefully highlights the combination of textured and smooth surfaces that make up the exterior design of a Jøtul stove, insert or fireplace.



*Brown Majolica Enamel*

The reason for the outstanding enamel quality lies in the manufacturing process. The casting process itself is vital in achieving the correct quality of cast iron, which again is needed to get the optimal enamel quality. Prior to enameling, the products are sandblasted an extra time to remove the top oxide and graphite layer of the surface to enable the enamel to adhere properly to the surface. This is why we can guarantee the best enamel quality that will “last forever”.



*Ivory Enamel*

Today we deliver products with different degrees of luster; some has a matte definition, others are glossier, and some of our stoves are delivered with majolica enamel.



*Majolica green Enamel*

The common denominator for all our enamel finishes is that they are durable and maintenance free so that you and your family can enjoy your Jøtul stove through several generations.



*Black Enamel*



*White Enamel*



*“It looks as good today  
as it did when it was  
installed 10 years ago”.*

*- A happy customer*



*Jøtul enamel quality*

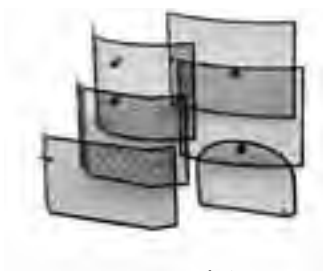
# Accessories, Stove-Care products and Flue Pipe



*Jøtul stove top thermometer*

Jøtul has made use of its wide-ranging knowledge in the manufacture of stoves and fireplaces, and is pleased to be able to offer you a range of 'Jøtul' stove-care products to help you take care of your stove or fireplace.

We have also designed an array of accessories, such as firescreens, decorative panels and leg options to compliment our products and to allow you to customise your Jøtul.



*Jøtul Firescreens*

Please refer to the technical section of this brochure, for a listing of all the accessories available for your choice of Jøtul stove or fireplace.

Jøtul (UK) Ltd, as part of its policy and continued aftercare service, stock the majority of consumable spare parts required to keep your Jøtul in perfect condition and to help extend its longevity. These are obtainable via your local Jøtul dealer who will be pleased to help you further.

Please ensure that only genuine Jøtul spares are used to ensure that your guarantee is not invalidated.



*Jøtul Kiln Dried Seasoned Wood*

Your local authorised Jøtul dealer will be pleased to assist you more with the availability of Jøtul stove care products and accessories.

Jøtul stock a range of Vitreous Enamel Flue Pipe in Matt Black, Blue-Black, Majolica Brown and Ivory. full details of the range including sizes can be found in the Jøtul price list.



*Jøtul High Temperature Matt black and Grey paint*

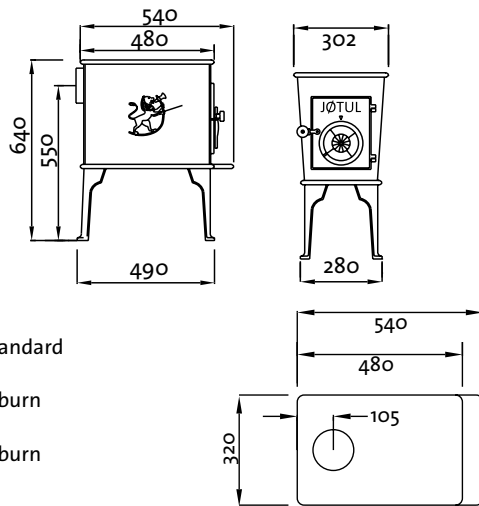


*Jøtul Glass Cleaner*



*Jøtul Heat Resistant Stove Gloves*

## Jøtul F 602



Catalogue Number:

- 320036 Cast iron door - standard (Black paint)
- 320086 Glass door - cleanburn (Blue-black enamel)
- 320089 Glass door - cleanburn (Black paint)

Finish Options: Matt Black paint (Standard)  
Matt Black paint  
Blue-black enamel (Cleanburn with glass door)

Heat Output: Min 1 kW,  
Rated 6 kW  
Max 8.5 kW

Maximum Log Length: 400 mm

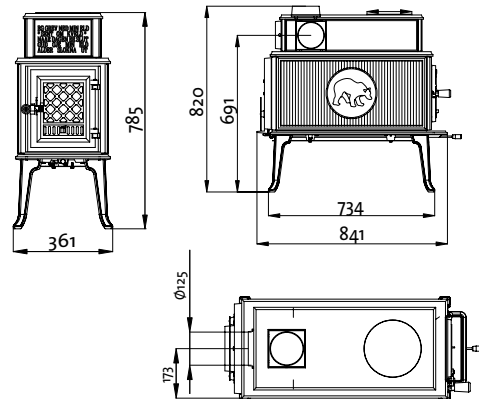
Flue Outlet: Top / Rear

Flue Size: 125 mm / 5" dia. (adaptor required)

Accessories:

- Glass Door (Black paint) (320073)

## Jøtul F 118 CB



Catalogue Number:

- 320096 (Black paint)

Finish Options: Matt Black paint

Heat Output: Min 4.0 kW,  
Rated 7.0 kW  
Max 11.0 kW

Maximum Log Length: 600 mm

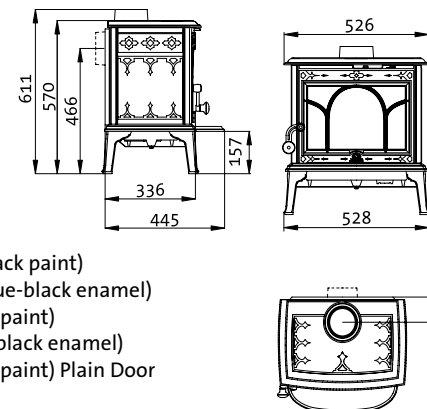
Flue Outlet: Top / Rear / Both sides

Flue Size: 150 mm / 6" dia. (adaptor included)

Accessories:

- Rear Heat Shield (320098)
- Side Heat Shield (320099)

## Jøtul F 100



Catalogue Number:

- 350738 Wood burner (Black paint)
- 350739 Wood burner (Blue-black enamel)
- 350710 Multi Fuel (Black paint)
- 350711 Multi Fuel (Blue-black enamel)
- 350794 Multi Fuel (Black paint) Plain Door

Finish Options: Matt Black paint  
Blue-black enamel

Heat Output: Min 2.7 kW,  
Rated 5.0 kW  
Max 7.5 kW

Maximum Log Length: 400 mm

Flue Outlet: Top / Rear

Flue Size: 125 mm / 5" dia.

Accessories:

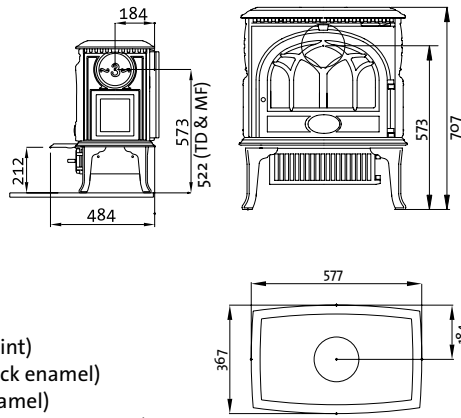
- Multi-fuel Kit (350718)
- Long legs - Black paint (350735), Blue-black enamel (350736)

### General note for all stoves and fireplaces

1. Please note that the minimum heat output is achieved with the cleanburn system (where applicable) performing ( See Page 57)
2. Please note that the rated output is based on laboratory achieved results when tested under DIN, EN or CE approval conditions
3. Figures given for heat output are based on refuelling with wood every two hours. Outputs vary depending on the quality of the fuel used and refuelling periods.



## Jøtul F 3, Jøtul F 3 TD, Jøtul MF 3



### Catalogue Number:

- 350329 Jøtul F 3 (Black paint)
- 350330 Jøtul F 3 (Blue-black enamel)
- 350331 Jøtul F 3 (Ivory enamel)
- 351108 Jøtul F 3 (Majolica Brown enamel)
- 350140 Jøtul F 3 TD (Black paint)
- 350924 Jøtul MF 3 Multi Fuel Plain Door (Black paint)

Finish Options: Matt Black paint  
Blue-black enamel  
Ivory enamel \*  
Majolica Brown enamel

Heat Output: Min 3.4 kW  
Rated 6 kW  
Max 9 kW

Maximum Log Length: 460 mm

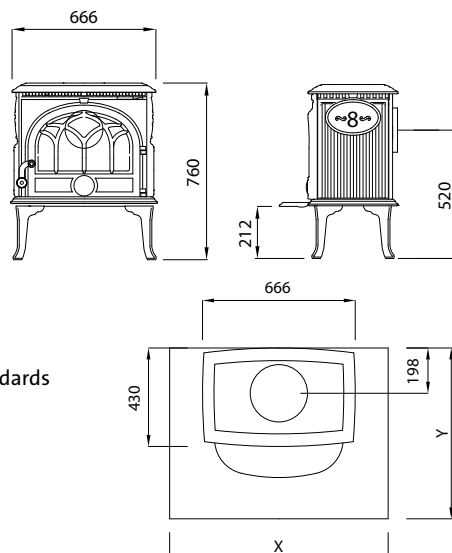
Flue Outlet: Top / Rear / Side

Flue Size: 150 mm / 6" dia.

### Accessories:

- Multi-fuel grate for Jøtul F 3 TD † (350282)
  - Multi-fuel ashpan for Jøtul F 3 TD † (190020)
  - Multi-fuel bottom tray for Jøtul F 3 TD † (190021)
  - Firescreen (350166)
  - Short Legs (150 mm) - available in all colours – (reduces the overall height by 65 mm)
  - Décor Rings - available in all colours ††
- \* Top/rear exit only on ivory enamel (not side)
- † For conversion of Jøtul F 3 TD only – all 3 items required

## Jøtul F 8



X/Y = Acc. to national standards and regulations

Finish Options: Matt Black paint

Heat Output: Nominal approx 8.0 kW

Maximum Log Length: 460 mm

Flue Outlet: Top / Rear

Flue Size: 150 mm / 6" dia.

Air system: Air wash system and ignition vent

Combustion system: Standard

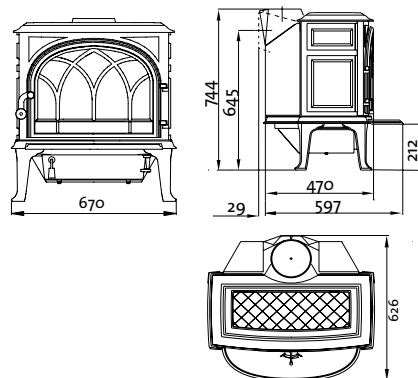
Flue outlet: Top and rear

Flue dimension: 150/175 mm dia.

Approx. weight: Fireplace 115 kg

Heating area (headroom 2,4 m): approx 135 m<sup>2</sup>

## Jøtul F 400



### Catalogue Number:

- 350758 (Black paint)
- 350759 (Blue-black enamel)
- 350760 (Ivory enamel)
- 351109 (Majolica Brown enamel)

Finish Options: Matt Black paint  
Blue-black enamel  
Ivory enamel  
Majolica Brown enamel

Heat Output: Min 3.9 kW,  
Rated 7.5 kW  
Max 10.5 kW

Maximum Log Length: 500 mm

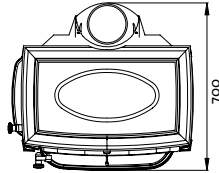
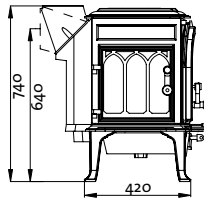
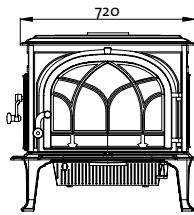
Flue Outlet: Top / Rear

Flue Size: 150 mm / 6" dia.

### Accessories:

- Short Legs (150mm) - available in all colours – (reduces the overall height by 65 mm)
- Outside Air Spigot (221031)

## Jøtul F 500



### Catalogue Number:

- 350420 (Black paint)
- 350421 (Blue-black enamel)
- 350423 (Ivory enamel)
- 351110 (Majolica Brown enamel)
- 351249 (Plain door, Black paint)
- 351224 (Majolica Green enamel)

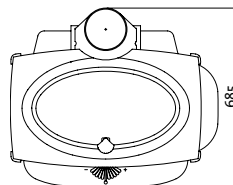
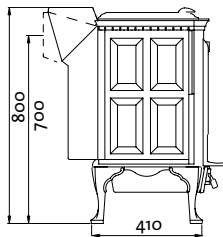
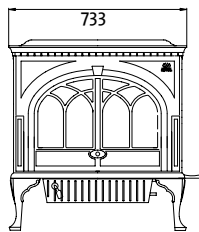
Finish Options: Matt Black paint  
Blue-black enamel  
Ivory enamel  
Majolica Brown enamel  
Majolica Green enamel

Heat Output: Min 4 kW  
Rated 8.5 kW  
Max 11.5 kW

Maximum Log Length: 550 mm  
Flue Outlet: Top / Rear  
Flue Size: 150 mm / 6" dia.

Accessories:  
• Outside Air Spigot (221031)

## Jøtul F 600



### Catalogue Number:

- 350775 (Black paint)
- 350776 (Blue-black enamel)
- 350778 (Ivory enamel)
- 351111 (Majolica Brown enamel)

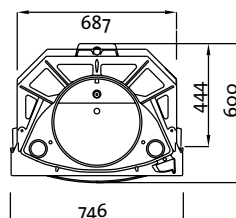
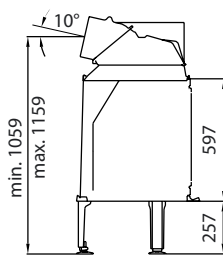
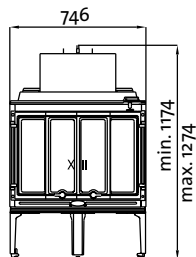
Finish Options: Matt Black paint  
Blue-black enamel  
Ivory enamel  
Majolica Brown enamel

Heat Output: Min 3.5 kW  
Rated 9.5 kW  
Max 12 kW

Maximum Log Length: 550 mm  
Flue Outlet: Top / Rear  
Flue Size: 150 mm / 6" dia.

Accessories:  
• Outside Air Spigot (221032)

## Jøtul I 18 Harmony, Jøtul I 18 Panorama



### Catalogue Number:

- 341103 Jøtul I 18 Harmony
- 341100 Jøtul I 18 Panorama

Finish Options: Blue-black enamel

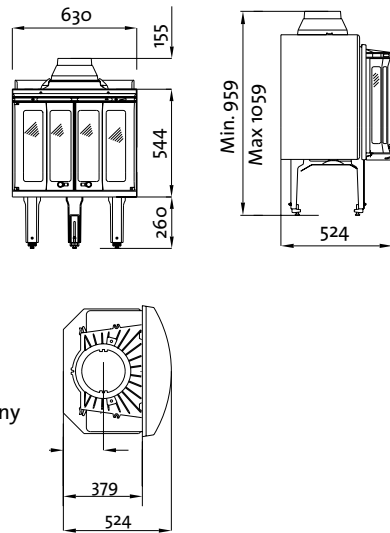
Heat Output: Min 3 kW,  
Rated 10 kW  
Max 15 kW

Maximum Log Length: 500 mm  
Flue Size: 175 mm / 7" dia. internal  
200 mm / 8" dia. external

Door Styles: Harmony  
Panorama

Accessories:  
• Canopy, complete with side panels (190002)  
• Firescreen (340793)  
• Side Extension Panel (340803)  
• Top Extension Panel (340797)  
• Internal Ash Solution (340809)  
• Decorative Plinth (190030)

## Jøtul I 80 RH Harmony

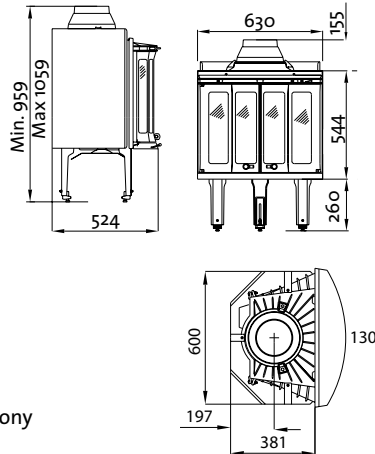


Catalogue Number:  
• 341124 Jøtul I 80 RH Harmony

Finish Options: Matt Black paint  
Heat Output: Min 2 kW,  
Rated 9 kW  
Max 10 kW  
Maximum Log Length: 400 mm  
Flue Size: 175 mm / 7" dia. internal  
200 mm / 8" dia. external

Accessories:  
• Canopy, complete with side panels (190001)  
• Damper (340955)  
• Decorative Plinth (190005)

## Jøtul I 80 Maxi Harmony



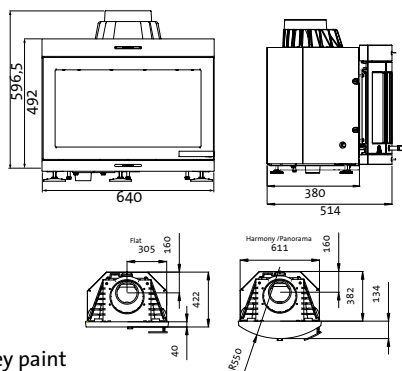
Catalogue Number:  
• 340976 Jøtul I 80 Maxi Harmony

Finish Options: Matt Black paint  
Heat Output: Min 3.8 kW,  
Rated 9 kW  
Max 13 kW  
Maximum Log Length: 400 mm  
Flue Size\*: 150 mm / 6" dia. internal  
175 mm / 7" dia. external

Accessories:  
• Canopy, complete with side panels (190001)  
• Damper (340955)  
• Decorative Plinth (190005)

\* Recommend step up to 7" if Harmony likely to be used with doors open

## Jøtul I 400



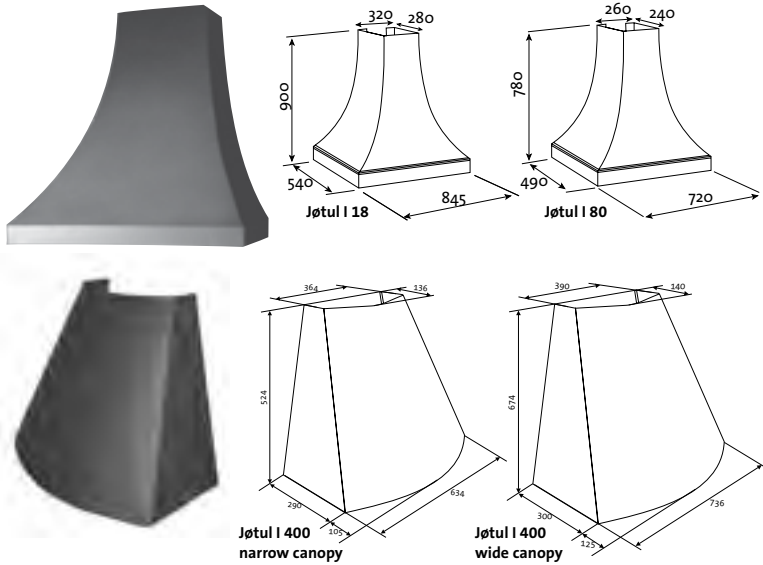
Catalogue Number:  
• 341255 Jøtul I 400 FL Grey paint  
• 341253 Jøtul I 400 Harmony Black paint  
• 341254 Jøtul I 400 Panorama Black paint

Finish Options: Matt Black paint  
Heat Output: Min 3.7 kW  
Rated 6 kW  
Max 9 kW  
Maximum Log Length: 400 mm  
Flue Outlet: Top / Rear  
Flue Size: 150 mm / 6" dia. internal  
175 mm / 7" dia. external

Accessories:  
• Outside Air Kit (341279)  
• Ash solution (341280)  
• Canopy – narrow (190400)  
• Plinth (190401)  
• Canopy – wide (190402)



## Canopies & Plinth Jøtul I 18, Jøtul I 80, Jøtul I 400



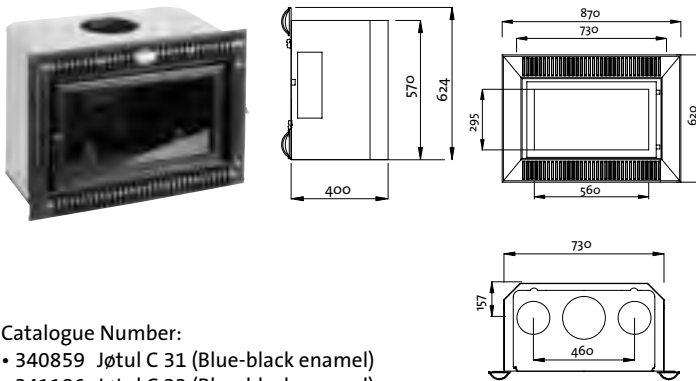
Canopies are supplied complete with a set of matching side panels, and sprayed Matt Black with High temperature paint. Made to measure canopies are available at extra cost.

Decorative Base Plinth available for Jøtul I 18, Jøtul I 80 and Jøtul I 400 Harmony and Panorama models.

Catalogue Number:

- 190001 to suit Jøtul I 80
- 190002 to suit Jøtul I 18
- 190400 narrow to suit Jøtul I 400
- 190402 wide to suit Jøtul I 400
- 190005 Decorative Plinth for Jøtul I 80 Harmony and Panorama models. Height 80 mm
- 190030 Decorative Plinth for Jøtul I 18 Harmony and Panorama models. Height 80 mm.
- 190401 Decorative plinth for Jøtul I 400 Height 80 mm.

## Jøtul C 31, Jøtul C 33



Catalogue Number:

- 340859 Jøtul C 31 (Blue-black enamel)
- 341186 Jøtul C 33 (Blue-black enamel)

Finish Options: Blue-black enamel

Heat Output: Min 2 kW,  
Rated 8 kW  
Max 10 kW

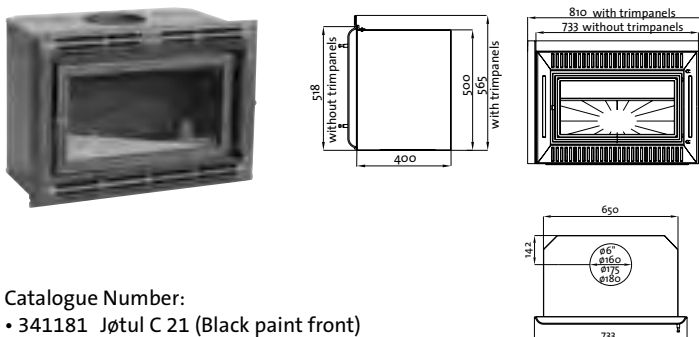
Maximum Log Length: 550 mm

Flue Size: Connects to 175 mm / 7" dia

Accessories:

- Flue Connector Kit (340856)

## Jøtul C 21, Jøtul C 22



Catalogue Number:

- 341181 Jøtul C 21 (Black paint front)
- 341182 Jøtul C 22 (Black paint front)
- 341180 Jøtul C 21 / Jøtul C 22 Burnchamber

Finish Options: Matt Black paint

Heat Output: Min 1.7 kW's  
Rated 6.5 kW's  
Max 9 kW's

Maximum Log Length: 340 mm

Flue Size: Connects to 150 / 6" dia.

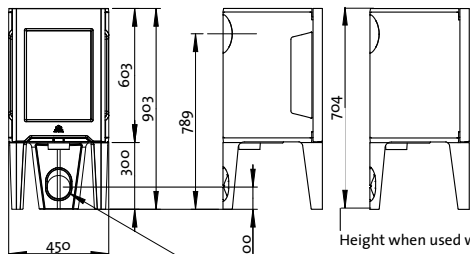
Accessories:

- Flue Connector Kit (340856)

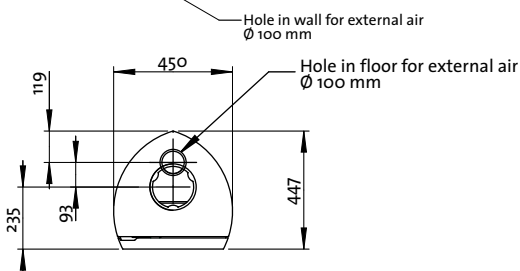
### Jøtul F 162

### Jøtul F 163

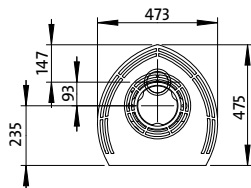
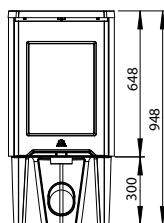
### Jøtul F 162 C/ Jøtul F 163 C



Height when used with short legs



Jøtul F 162 C / Jøtul F 163 C



Catalogue Number:

- 351223 (Jøtul F 162 Black paint)
- 351238 (Jøtul F 163 Black paint with side glass)
- 351273 (Jøtul F 163 Black enamel)
- 351272 (Jøtul F 163 White enamel)

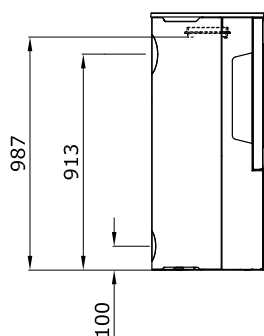
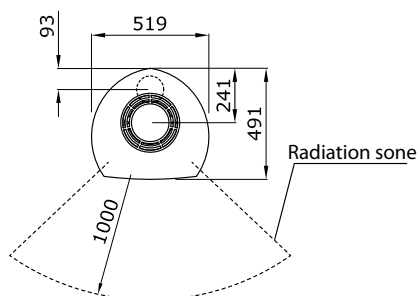
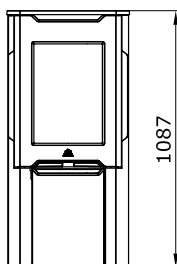
Finish Options: Black paint  
Heat Output: Min 3,7 kW  
Rated 5 kW  
Max 9 kW  
Maximum Log Length: 330 mm  
Flue Outlet: Top / Rear (not Jøtul F 162 C)  
Flue Size: 150 mm / 6" dia.

Accessories:

- Soapstone top (361080)
- Soapstone top Jøtul F 162, Jøtul F 163 (361080)
- 100 mm short legs (190160)
- Connection for external air supply (341296)
- Cover for legs when using external air supply (361083)
- Convection top (361099)
- Convection side for Jøtul F 162 C (361084)
- Convection side for Jøtul F 163 C (361114)

### Jøtul F 262/ Jøtul F 262 S

### Jøtul F 263/ Jøtul F 263 S



Finish Options: Black paint  
Heat Output: Min 3.7 kW  
Rated 5 kW  
Max 9 kW  
Maximum Log Length: 330 mm  
Flue Outlet: Top and rear  
Flue Size: 150 mm / 6" dia.

Accessories:

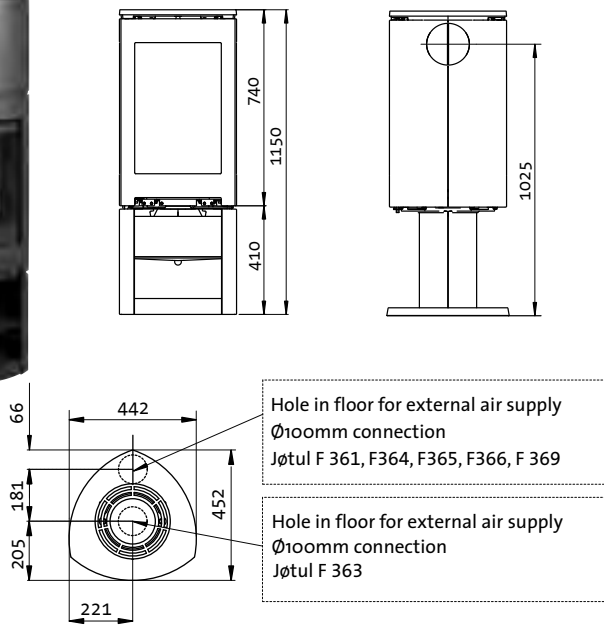
- Soapstone Top Plate ((223559)
- Fan for rapid heat (50036914)
- Kit for connection to an external air supply (341296)

Catalogue Number:

- 351245 Jøtul F 263

Must be ordered with steel side panel set (351247) or soapstone panel set (351248)

## Jøtul F 360 Concept



### Catalogue Number:

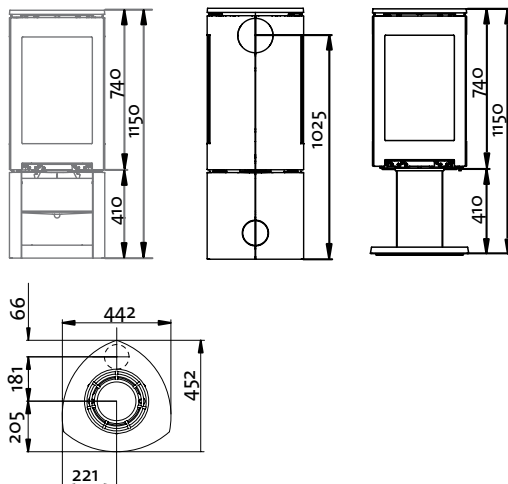
- 351254 Jøtul F 360 Black paint
- 351254 Jøtul F 361 (Black paint plus black cast iron open shelf stand 350982)
- 351254 Jøtul F 363 (Black paint plus black pedestal 350974)
- 351254 Jøtul F 364 (Black paint with cast pillar 351162)
- 351254 Jøtul F 365 (Black paint with cast base 351176 and glass door 351164)
- 351254 Jøtul F 366 (Black paint with glass base 351210)
- 351254 Jøtul F 369 (Black paint with three legs 351255)

Finish Options: Black paint  
 Heat Output: Min 3.5 kW  
 Rated 5.5 kW  
 Max 7 kW  
 Maximum Log Length: 300 mm  
 Flue Outlet: Top / Rear  
 Flue Size: 150 mm / 6" dia.

### Accessories:

- Soapstone top (350992)
- Glass panels top, sides and front "rear flue" BP (350993)
- Glass panels top, sides and front "top flue" BP (350995)
- Steel decorative floorplate BP (351158)
- Glass decorative floorplate (351121)

## Jøtul F 370 Concept



### Catalogue Number:

- 350972 Jøtul F 371 (Black paint plus black cast iron open shelf stand 350982)
- 350973 Jøtul F 371 (Grey paint plus grey cast iron open shelf stand 350983)
- 350972 Jøtul F 373 (Black paint plus black pedestal 350974)
- 350973 Jøtul F 373 (Grey paint plus grey pedestal 350975)
- 350972 Jøtul F 374 (Black paint with cast pillar 351162)
- 350973 Jøtul F 374 (Grey paint with cast pillar 351163)
- 350972 Jøtul F 375 (Black paint with glass door cast base 351176)
- 350973 Jøtul F 375 (Grey paint with glass door cast base 351177)
- 350972 Jøtul F 376 (Black paint with glass base 351210)
- 350973 Jøtul F 376 (Grey paint with glass base 351211)
- 351160 Log box for F 374 Black paint
- 351161 Log box for F 374 Grey paint

Finish Options: Black or Grey paint  
 Heat Output: Min 3.5 kW  
 Rated 5.5 kW  
 Max 7 kW  
 Maximum Log Length: 300 mm  
 Flue Outlet: Top / Rear  
 Flue Size: 150 mm / 6" dia.

### Accessories:

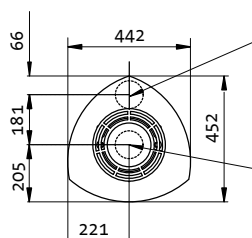
- Decorative panels "reed" BP (350988)
- Decorative panels "reed" GP (350989)
- Decorative panels "solid" BP (350990)
- Decorative panels "solid" GP (350991)
- Soapstone top (350992)
- Glass panels top, sides and front "rear flue" BP (350993)
- Glass panels top, sides and front "rear flue" GP (350994)
- Glass panels top, sides and front "top flue" BP (350995)
- Glass panels top, sides and front "top flue" GP (350996)
- Pedestal Rotating Kit (360°) (350997) Jøtul F 373
- Steel decorative floorplate BP (351158)
- Steel decorative floorplate BP (351159)



## Jøtul F 370 High Top Concept



**Jøtul F 371 High Top**



Hole in floor for  
external air supply  
Ø100mm connection  
Jøtul F 371, F 372,  
F 374, F 375, F 376

Finish Options:	Black paint
Heat Output:	Min 3.5 kW
	Rated 5.5 kW
	Max 7 kW
Maximum Log Length:	300 mm
Flue Outlet:	Top / Rear
Flue Size:	150 mm / 6" dia.

### Accessories:

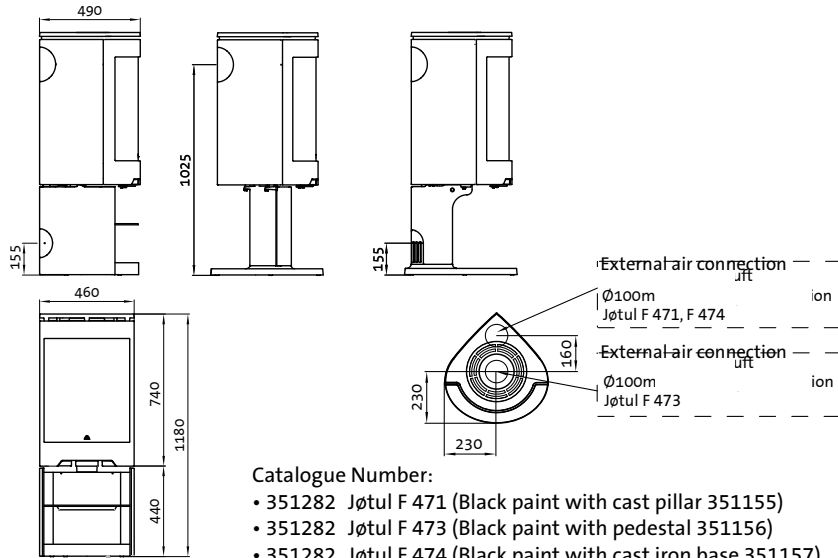
- Decorative panels "reed" BP (350988)
- Decorative panels "reed" GP (350989)
- Decorative panels "solid" BP (350990)
- Decorative panels "solid" GP (350991)
- Soapstone top (350992)
- Glass panels top, sides and front "rear flue" BP (350993)
- Glass panels top, sides and front "rear flue" GP (350994)
- Glass panels top, sides and front "top flue" BP (350995)
- Glass panels top, sides and front "top flue" GP (350996)
- Pedestal Rotating Kit (360°) (350997) Jøtul F 373
- Steel decorative floorplate BP (351158)
- Steel decorative floorplate GP (351159)

### Catalogue Number:

- 350972 Jøtul F 371 (Black paint plus black cast iron open shelf stand 350982)
- 350973 Jøtul F 371 (Grey paint plus grey cast iron open shelf stand 350983)
- 350972 Jøtul F 373 (Black paint plus black pedestal 350974)
- 350973 Jøtul F 373 (Grey paint plus grey pedestal 350975)
- 350972 Jøtul F 374 (Black paint with cast pillar 351162)
- 350973 Jøtul F 374 (Grey paint with cast pillar 351163)
- 350972 Jøtul F 375 (Black paint with glass door cast base 351176)
- 350973 Jøtul F 375 (Grey paint with glass door cast base 351177)
- 350972 Jøtul F 376 (Black paint with glass base 351210)
- 350973 Jøtul F 376 (Grey paint with glass base 351211)

- 351160 Log box for F 374 Black paint
- 351161 Log box for F 374 Grey paint

## Jøtul F 471, Jøtul F 473, Jøtul F 474

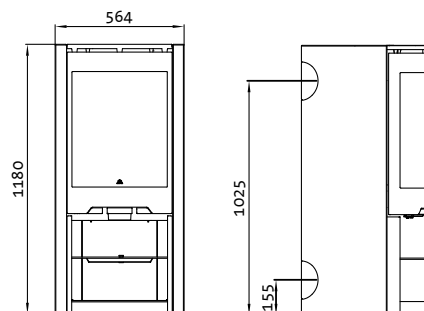


Catalogue Number:

- 351282 Jøtul F 471 (Black paint with cast pillar 351155)
- 351282 Jøtul F 473 (Black paint with pedestal 351156)
- 351282 Jøtul F 474 (Black paint with cast iron base 351157)
- 351282 Jøtul F 475 (Black paint with cast iron base 351155)

Finish Options: Black paint  
 Heat Output: Min 3.5 kW  
 Rated 6 kW  
 Max 10 kW  
 Maximum Log Length: 300 mm  
 Flue Outlet: Top / Rear  
 Flue Size: 150 mm / 6" dia.

## Jøtul F 476

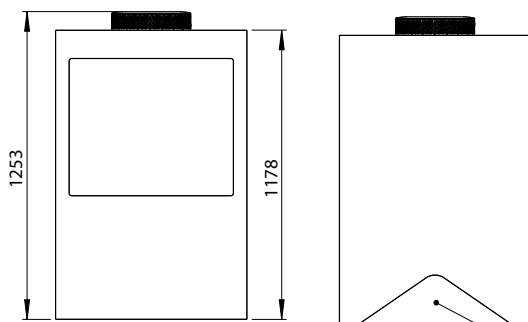


Catalogue Number:

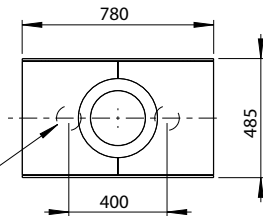
- 351282 Black paint plus cast iron base (351155)
- 361040 Soapstone sides

Finish Options: Black paint  
 Heat Output: Min 3.5 kW  
 Rated 6 kW  
 Max 10 kW  
 Maximum Log Length: 300 mm  
 Flue Outlet: Top / Rear  
 Flue Size: 150 mm / 6" dia.

## Jøtul Cube and Jøtul Cube WS



Access for external air



Hole in floor for external air - Ø100

Finish Options: Black paint  
 Inserts for Cube Concept: Jøtul I 200, Jøtul I 400 FL and Jøtul I 500  
 Heat Output: Jøtul I 200 3-8 kW rated 6 kW  
 Jøtul I 400 3.7-9 kW rated 7kW  
 Jøtul I 500 3.8-13 kW rated 9kW  
 Maximum Log Length: 400 mm  
 Flue Outlet: Top / Rear  
 Flue Size: 150 mm / 6" dia. internal  
 175 mm / 7" dia. external

### Accessories:

- Log holder (50043350)
- Companion set (50043349)
- Aluminiumsdecor (50043348)
- Floor plate for Jøtul Cube (300 x 780 mm) (50043350)
- Floor plate for Jøtul Cube WS (300 x 1566 mm) (50043466)

### Catalogue Numbers:

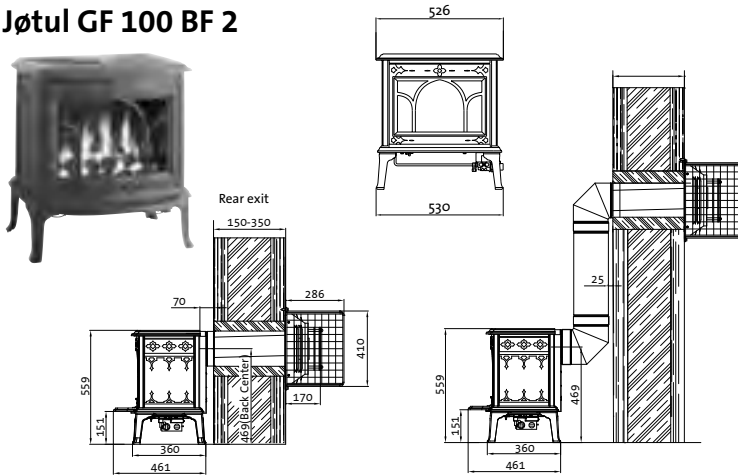
- 50038167 Jøtul Cube GL
- 50038168 Jøtul Cube AL
- 50038170 Jøtul Cube AG
- 50038171 Jøtul Cube GG WS
- 50038172 Jøtul Cube GL WS

It is important to remember to order the insert required, Jøtul I 200, Jøtul I 400 or Jøtul I 500



# Gas Dimension and Specification Information

## Jøtul GF 100 BF 2



- Catalogue Number - Log Version:      Coal Version:
- 350900 (Black paint) + 350785
  - 350901 (Blue-black enamel) + 350785
  - 350900 (Black paint) + 350786
  - 350901 (Blue-black enamel) + 350786

It is not possible to connect to the top of the Jøtul GF 100 BF 2. \*If a vertical flue connection is required a 90° bend must be used directly from the rear of the stove, increasing overall depth by 250 mm.

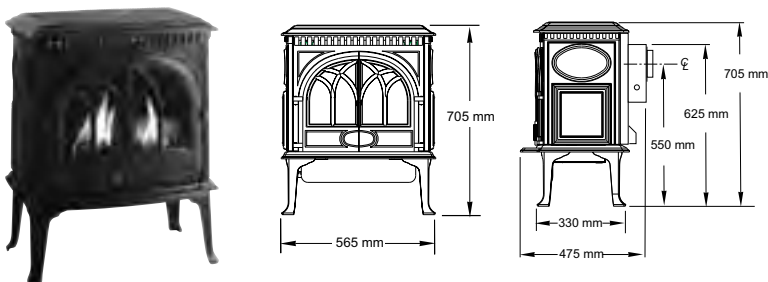
- Finish Options:      Matt Black paint  
                               Blue-black enamel  
                               Ivory enamel
- Heat Output:      3.7 kW  
 Heat Input:      4.6 kW  
 Efficiency:      80 %  
 Fuel Effect:      Coal/Log  
 Gas Types:      Natural Gas  
                               LPG
- Flue Outlet:      Rear  
 Flue Options:      Standard Kit - Rear Exit

- Accessories:
- Retro fit thermostatic remote control (ex batteries) (350744)

Please refer to the current Jøtul price list for full details of all flue extension accessories.

For Balanced Flue Venting Information please see Technical Documentation – Manual on [www.jotuluk.com](http://www.jotuluk.com)

## Jøtul GF 3 CF 2



This height can be reduced by 65mm when using short legs

- Catalogue Number:
- 351090 Black paint
  - 351091 Blue-black enamel
  - 351092 Ivory enamel
  - 351093 Majolica Blue enamel
  - 351094 Majolica Brown enamel

- Accessories:
- 155648 Antique effect brick panels
  - 350173 Short leg Black Paint
  - 350174 Short leg Blue Black Enamel
  - 350176 Short leg Ivory Enamel
  - 351147 Short leg Majolica Brown Enamel
  - 351148 Short leg Majolica Blue Enamel

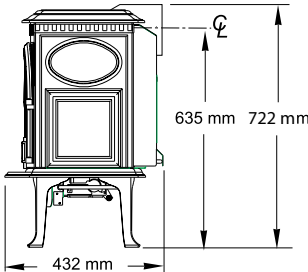
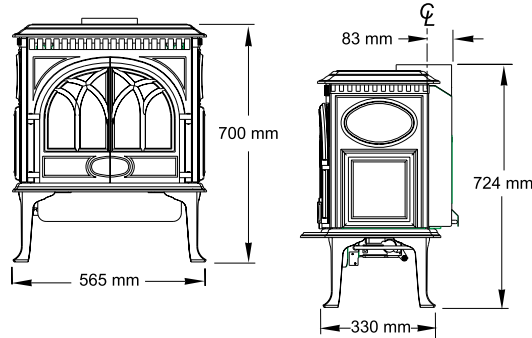
- Heat Input (Net kW):      Nat gas 6.3, LPG 6.3  
 Heat Output Max (net kW)      Efficiency
- |                     |        |        |
|---------------------|--------|--------|
| Nat gas - rear flue | 5.1 kW | 80.6 % |
| Nat gas - top flue  | 5.0 kW | 79.9 % |
| LPG - rear flue     | 5.1 kW | 80.9 % |
| LPG - top flue      | 5.0 kW | 79.5 % |
- Flue Outlet:      Top or Rear  
 Flue Size:      125 mm  
 Fuel Effect:      Log only  
 Gas Types:      Natural Gas as standard with LPG conversion included

- Accessories:
- 10406592 Rear Flue Décor Infill Black Paint
  - 10406527 Rear Flue Décor Infill Blue Black Enamel
  - 10406529 Rear Flue Décor Infill Ivory Enamel
  - 10406547 Rear Flue Décor Infill Majolica Brown Enamel
  - 10406548 Rear Flue Décor Infill Majolica Blue Enamel

Infills are only used when Appliance is installed using a rear flue

Suitable for class 1 & 2 and precast flues to BS 1289 parts 1 & 2 as well as Closure Plate installations to BS 5871 parts 1 and BS 5440 part 1.

## Jøtul GF 3 BF 3



Please refer to installation manual for balanced flue terminal and pipe configurations & options. Manuals may be downloaded from the Jøtul website [www.jotuluk.com](http://www.jotuluk.com)

Finish Options: Matt Black Paint  
Blue-Black enamel  
Ivory Enamel  
Brown Majolica enamel  
Green Majolica enamel

	Nat Gas	LPG
Max Heat Input (Gross)	7.5	7.5
Max Heat Input (Net)	6.8	6.9
Fuel Effect:	Log	
Gas Types:	Natural Gas/LPG	
Flue Outlet:	Top	
Flue Options:	Consult manual	

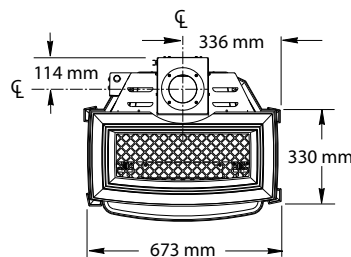
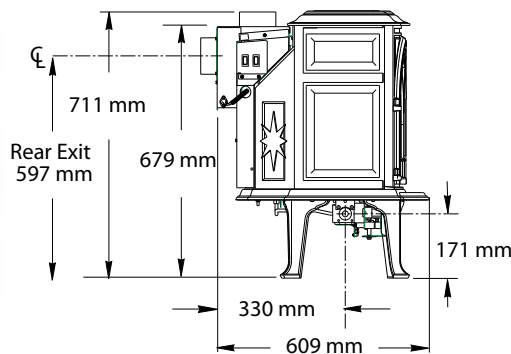
Accessories:  
155648 Antique effect brick panels

Catalogue Number:  
351402 Matt Black  
351401 Blue-black enamel  
351403 Ivory enamel  
351404 Brown Majolica enamel

Efficiency (net)	Efficiency (% net)	Max Heat Output (kW, net)	Configuration*
Nat Gas - rear flue (100/150mm flue size)	76.6	5.2	45° Spigot + 325-400mm Adjustable Length + 90° Bend + 100/150 Wall Terminal (c/w 600mm length attached to terminal) (vent limiter position D)
Nat Gas - top flue (100/150mm flue size)	73.3	4.9	45° Spigot + 100/150 Roof Terminal (+ vertical rise up to 10m) (vent limiter position A)
LPG - rear flue (100/150mm flue size)	78.2	5.4	45° Spigot + 325-400mm Adjustable Length + 90° Bend + 100/150 Wall Terminal (c/w 600mm length attached to terminal) (vent limiter position D)
LPG - top flue (100/150mm flue size)	74.4	5.1	45° Spigot+100/150 Roof Terminal (+ vertical rise up to 10m) (vent limiter position A)

\* Consult manual for flue configuration and flue limiter positioning

## Jøtul GF 400 CF



Catalogue Number:  
351060 (Black paint)  
351061 (Blue-black enamel)  
351062 (Ivory enamel)  
351063 (Majolica blue enamel)  
351064 (Majolica brown enamel)

Finish Options: Matt Black paint  
Blue-black enamel  
Ivory enamel  
Majolica Blue enamel  
Majolica Brown enamel

Heat Input NG: 8.7 kW  
Heat Input LPG: 9.3 kW  
Heat Output NG: 6.8 kW  
Heat Output LPG: 7.2 kW  
Efficiency: 77.9 %  
Fuel Effect: Log only  
Gas Types: Natural Gas  
LPG

Flue Size: 125mm  
Flue Outlet: Top/Rear  
Flue Options: Standard Kit - Rear Exit

Accessories:  
• Antique effect brick panels (155375)

### General note for all stoves and fireplaces

The Gas Stove ceramic coal set and log sets are not interchangeable. Short Leg (155mm) are available for the Jøtul GF 3 BF / GF 3 CF 2 in all colour options. Gas heat output could be effected by chimney or flue conditions. The information on gas stoves does NOT apply to Non domestic settings, which may require special advice with regards fluing. Although every effort has been made to ensure dimensions are accurate, Jøtul (UK) recommends that all apertures / holes needed for balanced flue system installation are first measured by offering up the stove and flue system prior to apertures / holes being made.

**Thank you for lending us furniture and accessories for photos:**

A Husebye, Alkymist Bazaar, Applestore, Artista, Art Interiør, Backe, Blåmann, Bolina, Carl Paulsen, Christians, Design Torget, Devi Darlings, Djawa Interiør, Eske, Expo Nova, Expo Nova Lys, Fired Earth, Fjøsset Bondeantikk, Flisekompaniet, Galleri Nobel, Genova, Granit, HC Shop, Hilmers Hus, Hjemmefronten, Hole Design, Huset i Vollen, Hødnebo Home, IKEA, Jab Showrom, Jane Doe, Kasthall, Konsept HP, Kvist, Laura Ashley, Lysthuset, Magnor Glassverk, Modern Tribute, Muuto, Mæhlum, Norway designs, Norways says shop, Oleana, Passiflora, Paustian, Petter Strømstad, Poesi Interiør, Primus "Falcon", Princess, Rafens, R.O.O.M, Rom for Idé, Ruuths Design, Shabby, Signaturen, Slettvoll Møbler AS, Spazio, Stilverk, Tandberg Tapeter, Tannum Møbler, TeppeAbo, Thonet, Verket Interiør, Vitra, Åhlens.  
Jøtul AS thanks Flügger for paint

**Internet Policy - Consumers**

Jøtul's products are sold through a network of highly trained retailers, able to offer you the very best advice on the most suitable stove for your individual needs and circumstances, with the option of installation and appropriate after sales service for your purchase.

In order to ensure that you benefit from this, we do not recommend purchasing a Jøtul stove over the Internet where this level of advice and service may not be available. If you do decide to buy your stove over the Internet, ensure that you buy from a dealer who can offer expert advice on the most suitable product for your needs, and who is able to install your stove and service it when necessary.

In particular, we would suggest that you avoid buying Jøtul stoves over the Internet, especially from a retailer who is not local to you, and who is, therefore, unlikely to be able to provide you with the appropriate support.



Foto: Dreyer Hensley  
Styling: Line Dammen



This image signifies products that have been approved by DEFRA for burning wood in smoke controlled areas in the United Kingdom. Some models are currently being tested for DEFRA approval and your local dealer should be contacted for confirmation or check on the Jøtul web site [www.jotuluk.com](http://www.jotuluk.com)



Foto and styling: Colin Thomason  
Photography Ltd



Foto: Dreyer Hensley  
Styling: Jannicke Kråkvik and  
Alessandro D'Orazio



Foto: Sturla Bakken  
Styling: Jannicke Kråkvik and  
Alessandro D'Orazio



Jøtul (UK) Ltd  
1, The io Centre, Nash Road  
Park Farm North, Redditch  
Worcestershire B98 7AS

Tel: 01527 506010  
Fax: 01527 528181  
E-mail: [sales@jotuluk.com](mailto:sales@jotuluk.com)  
[www.jotuluk.com](http://www.jotuluk.com)

*Jøtul have a policy of constant improvement and upgrading. Products therefore may differ in specification, design, material or dimensions at any time without prior notice. Whilst we have made every effort to represent the finish of our stoves as closely as possible, the printing and photographic process may cause variances in colour and flame picture. The operation and appearance of our products rely on variable factors such as the standard of installation and performance of the flue system.*

September 2011

**JØTUL®**

**Cast Iron Stoves  
& Fireplaces**