

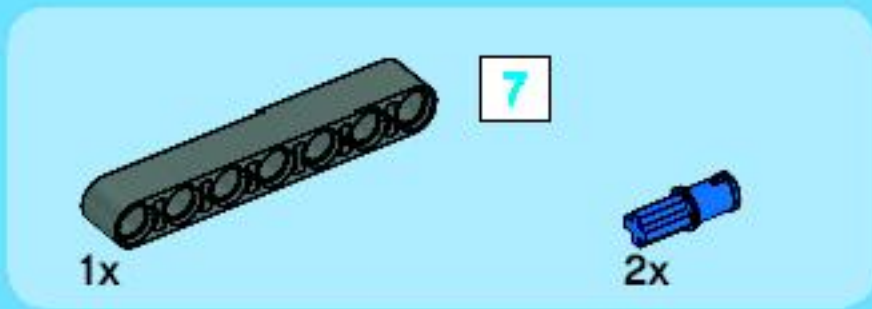
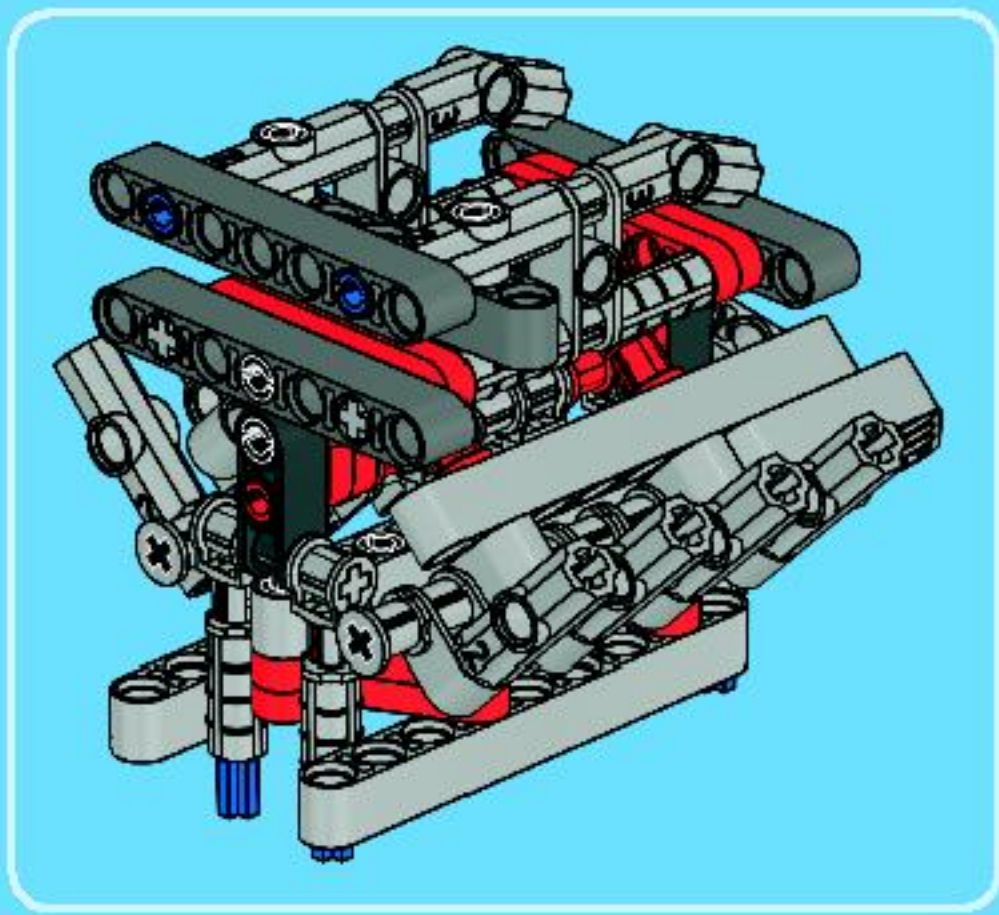


TECHNIC

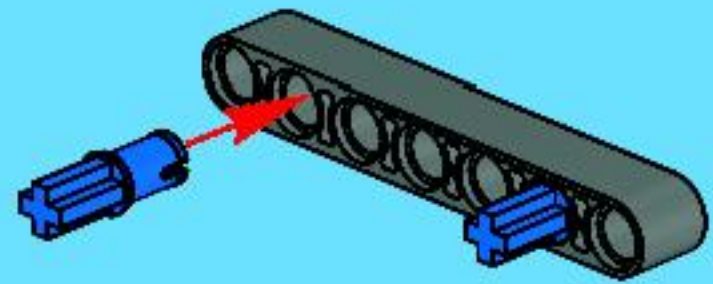
8274-2



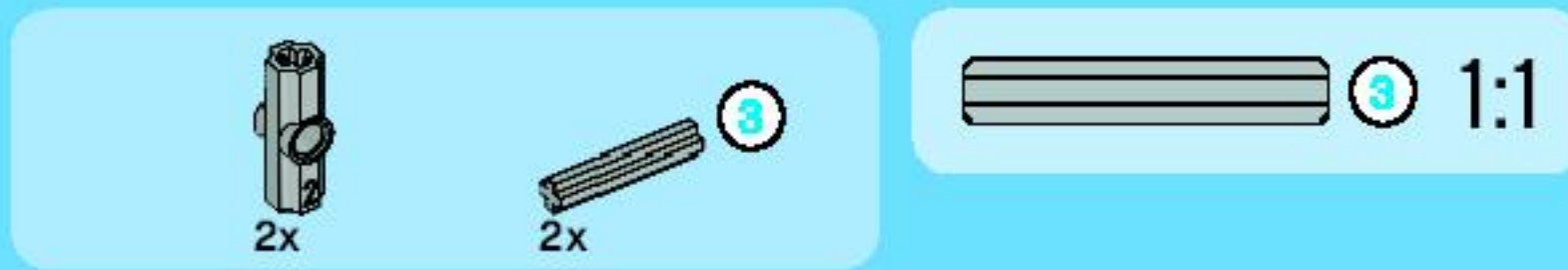
2/2



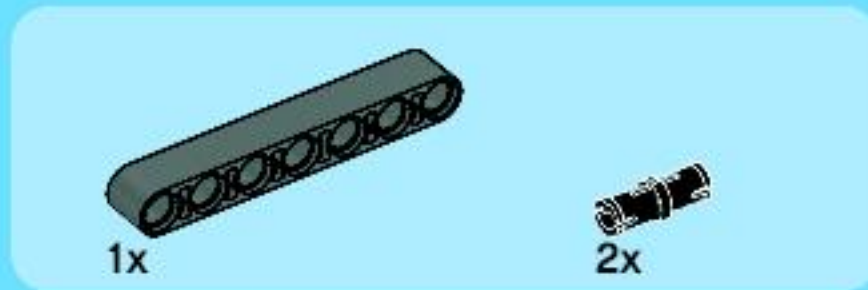
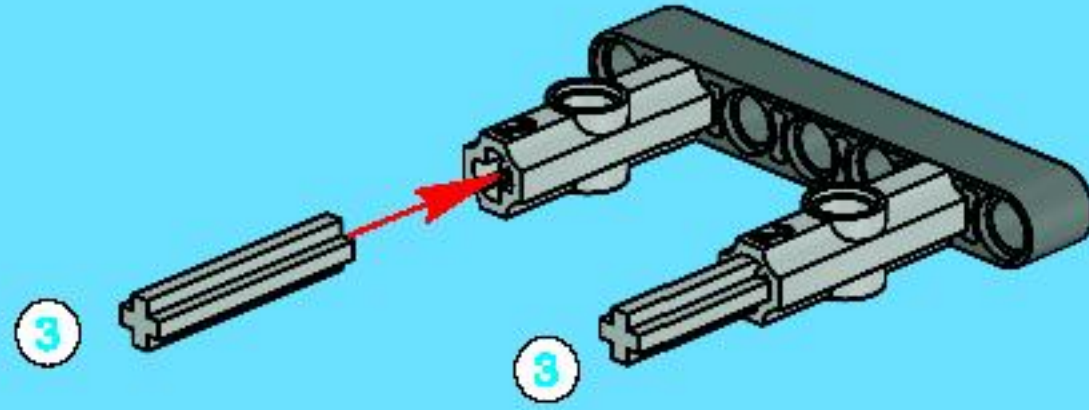
1



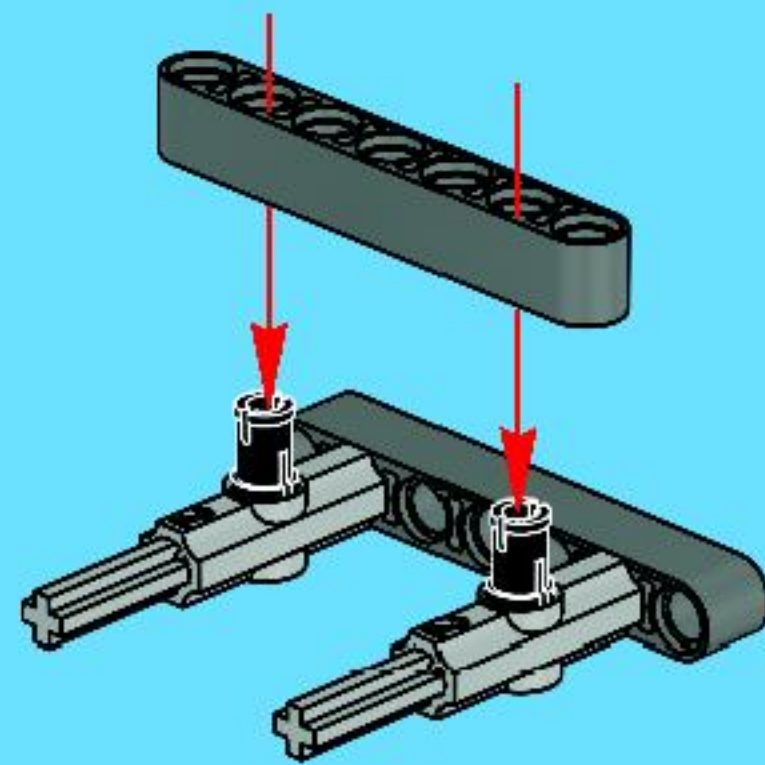
2



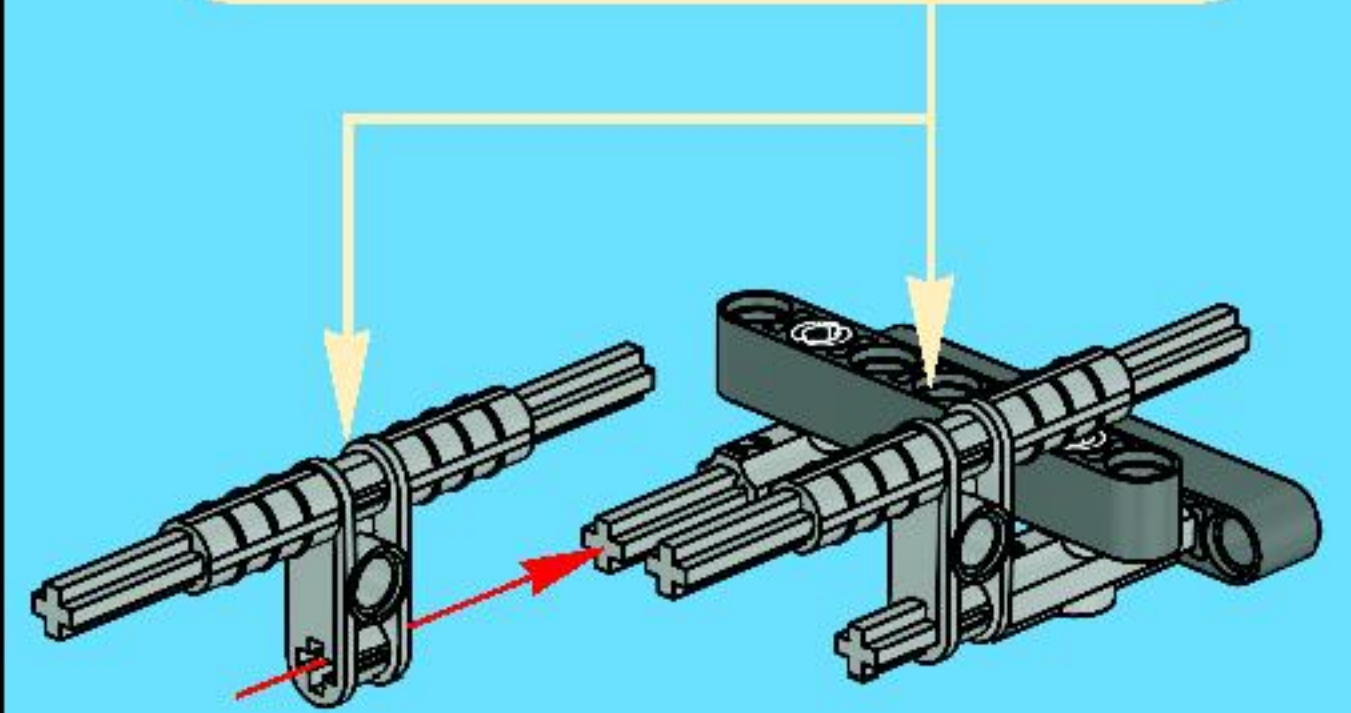
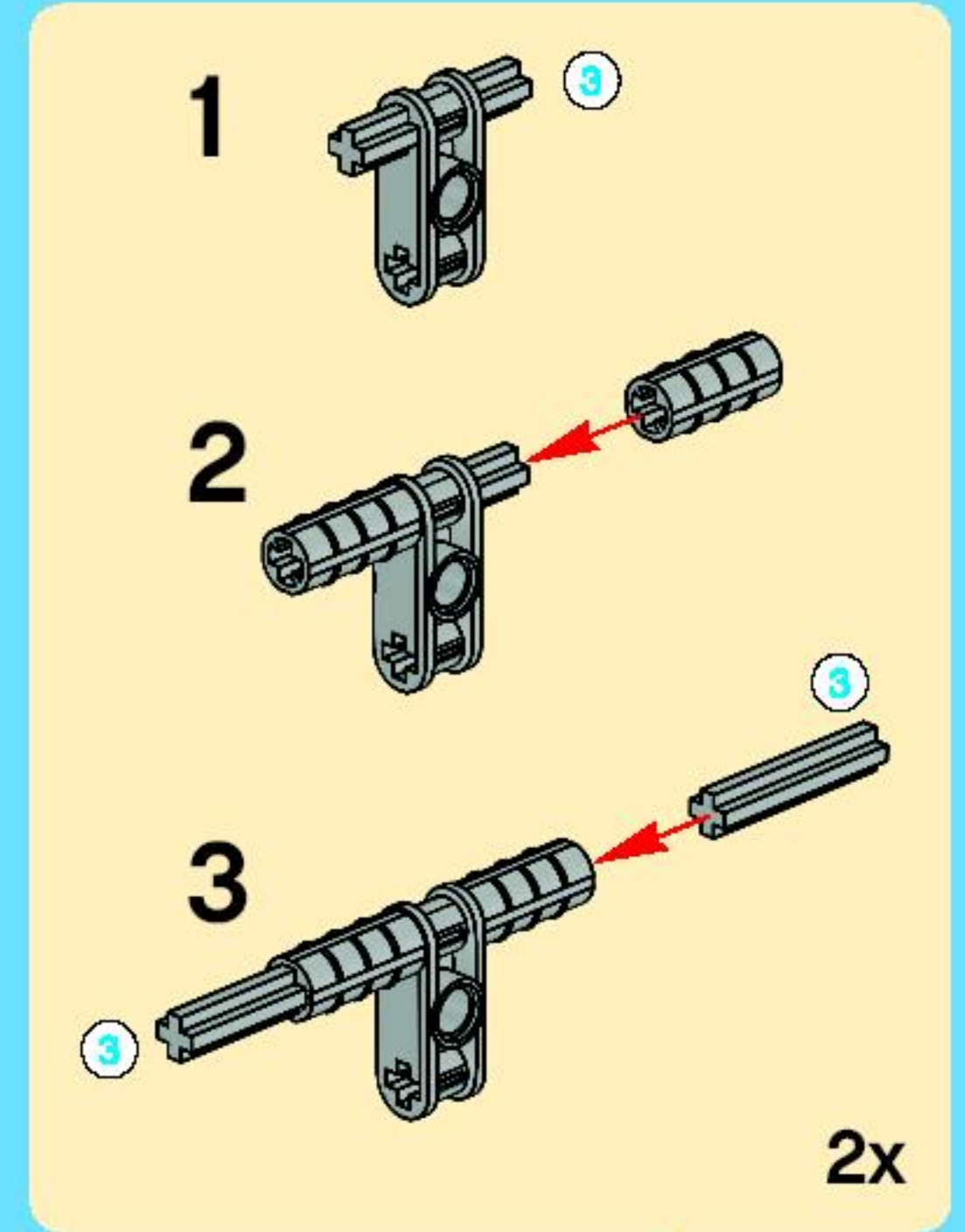
2



3



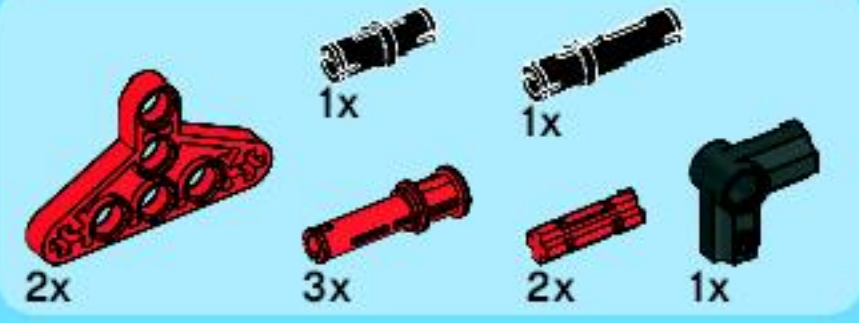
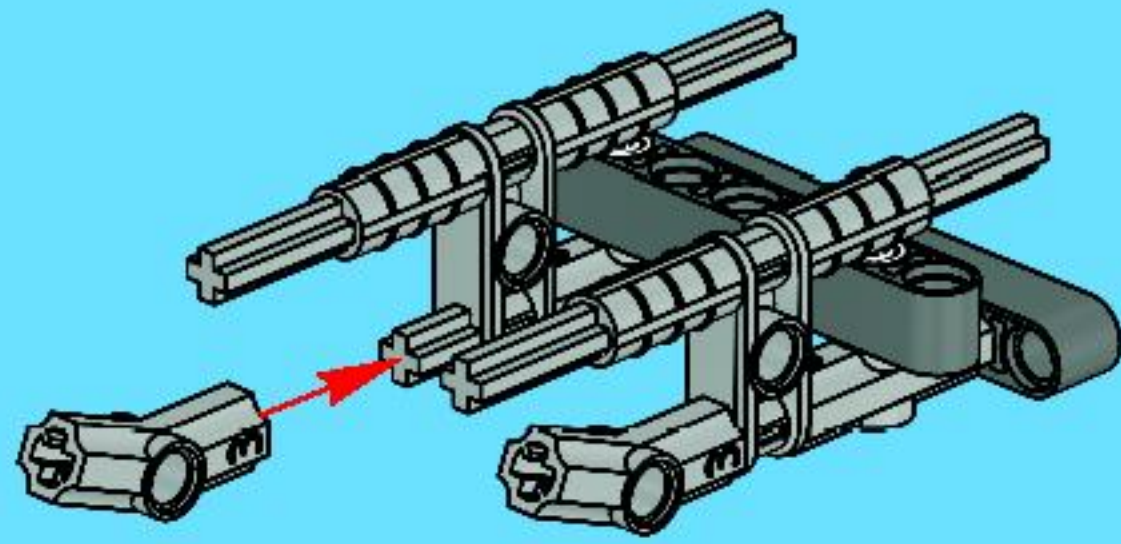
4



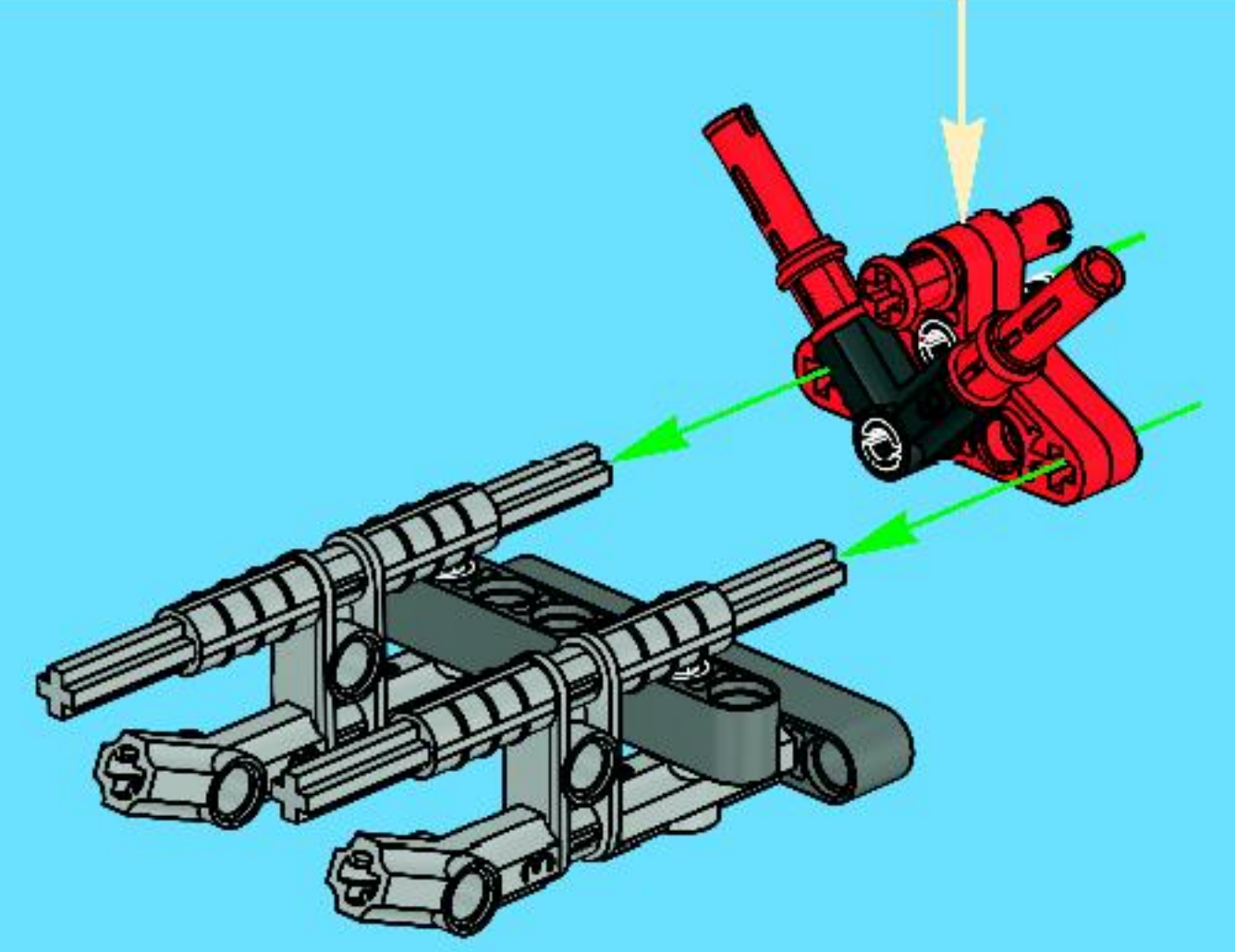
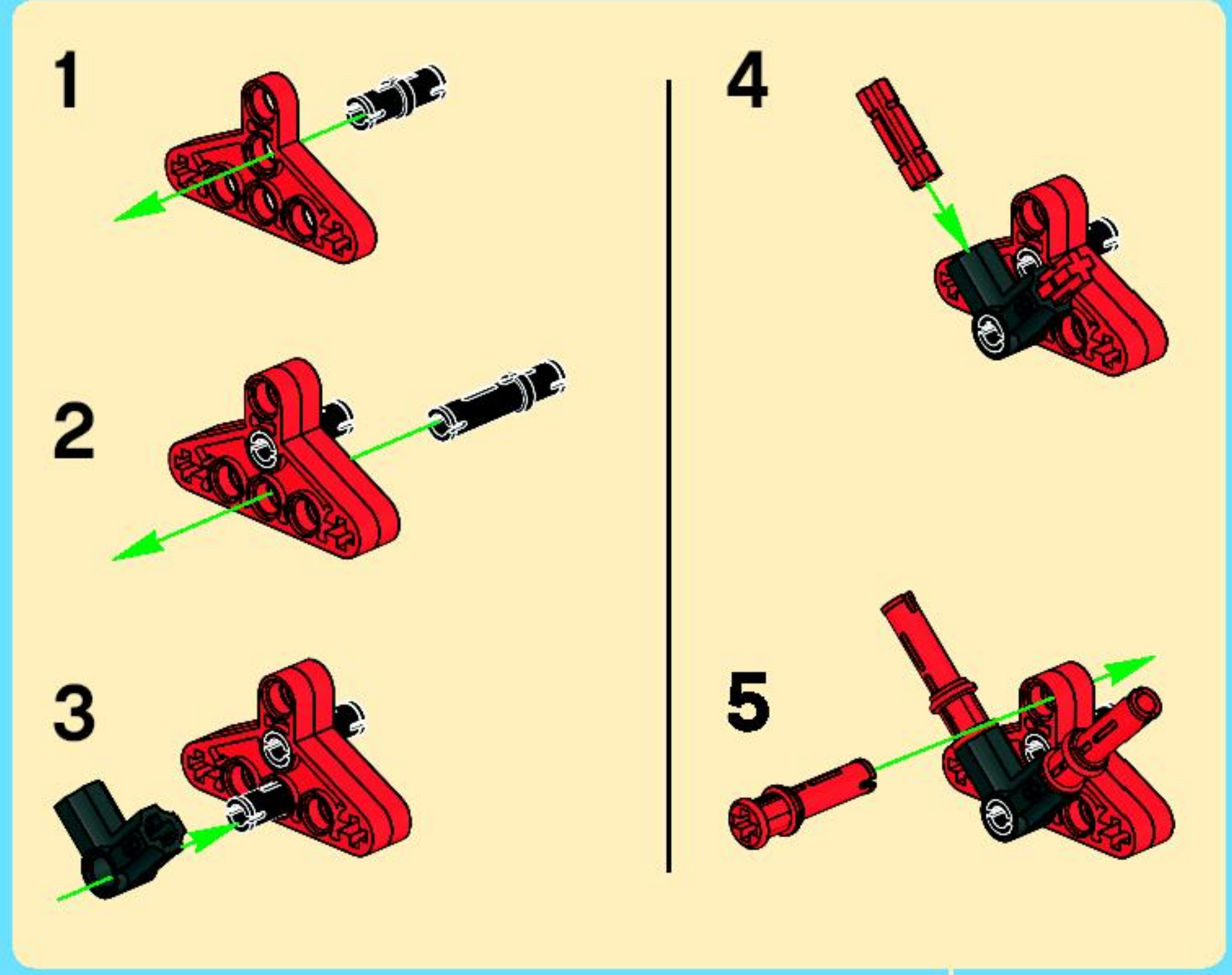


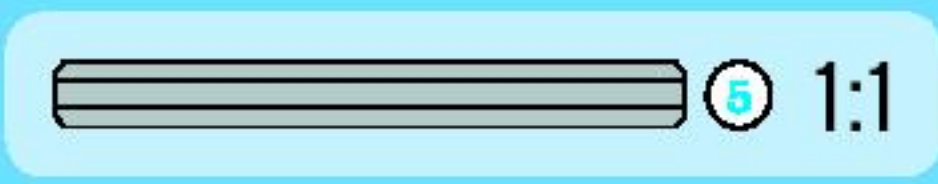
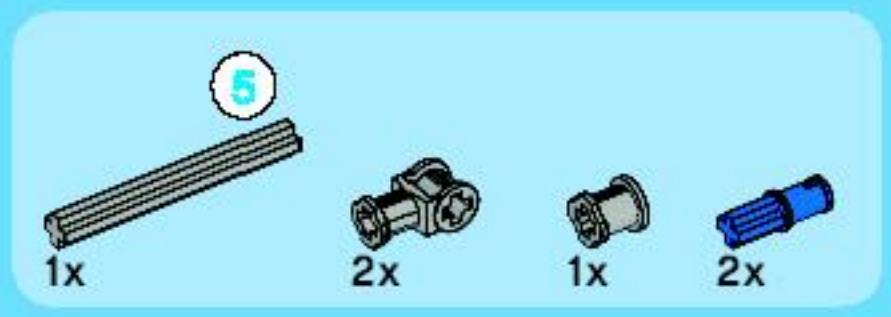
2x

5

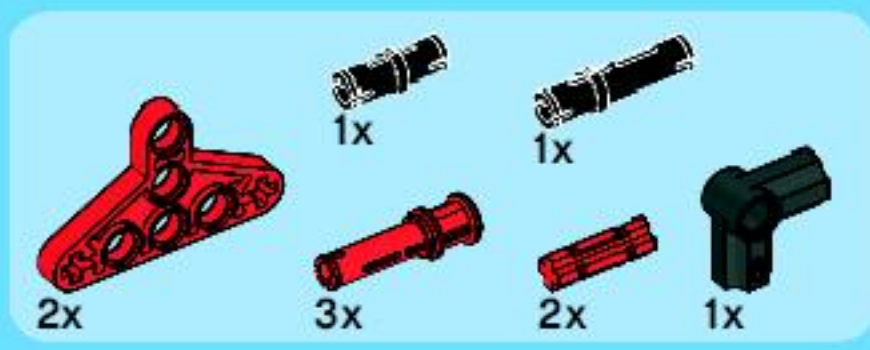
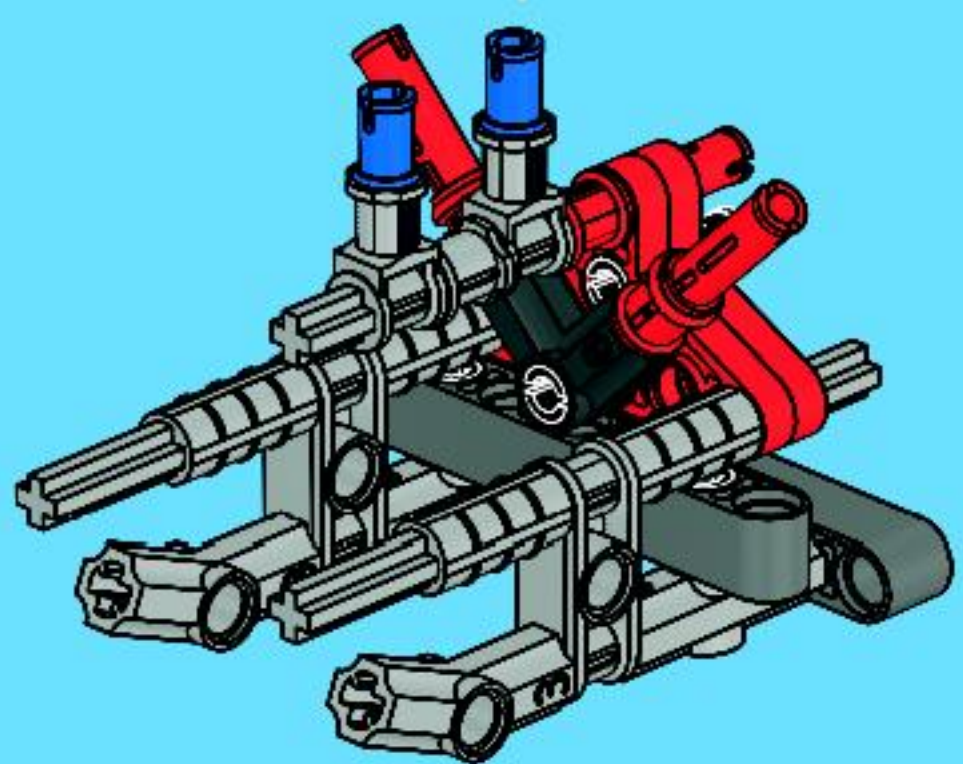
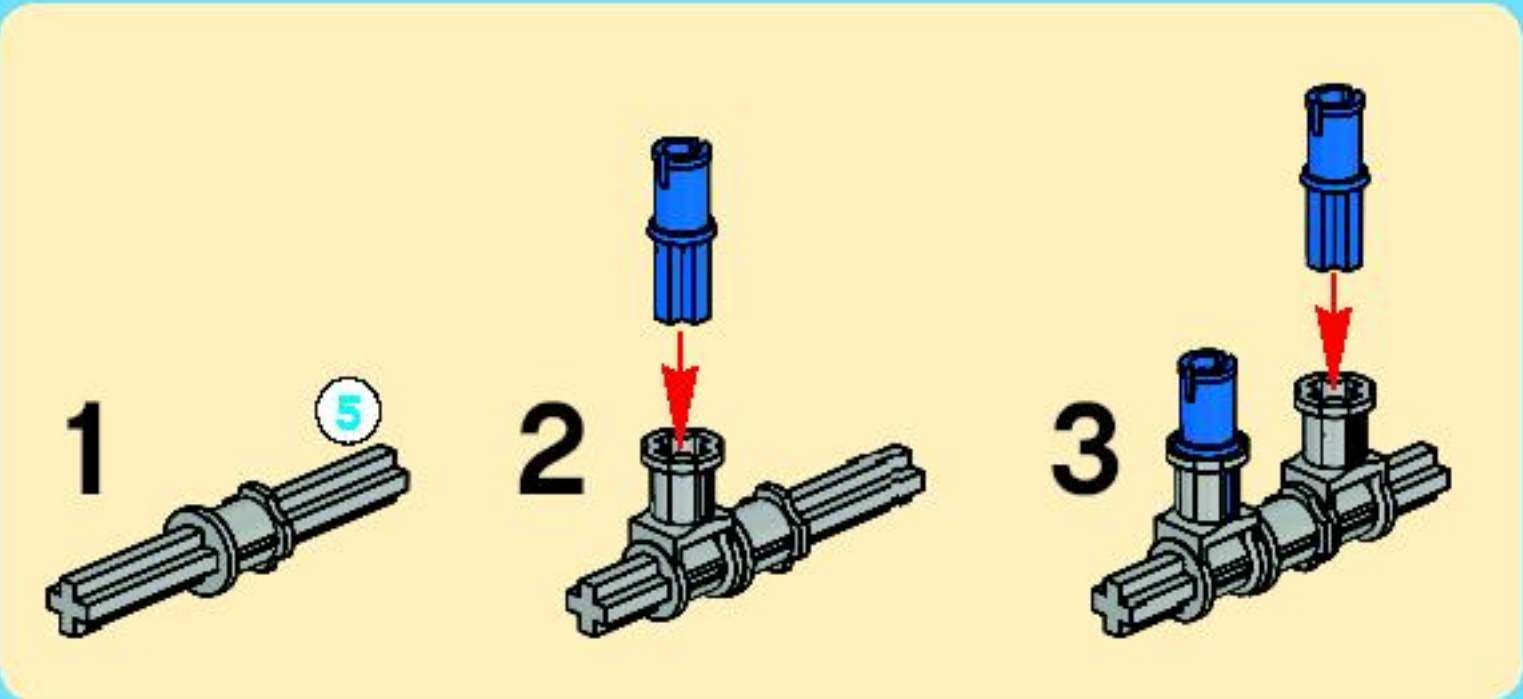


6

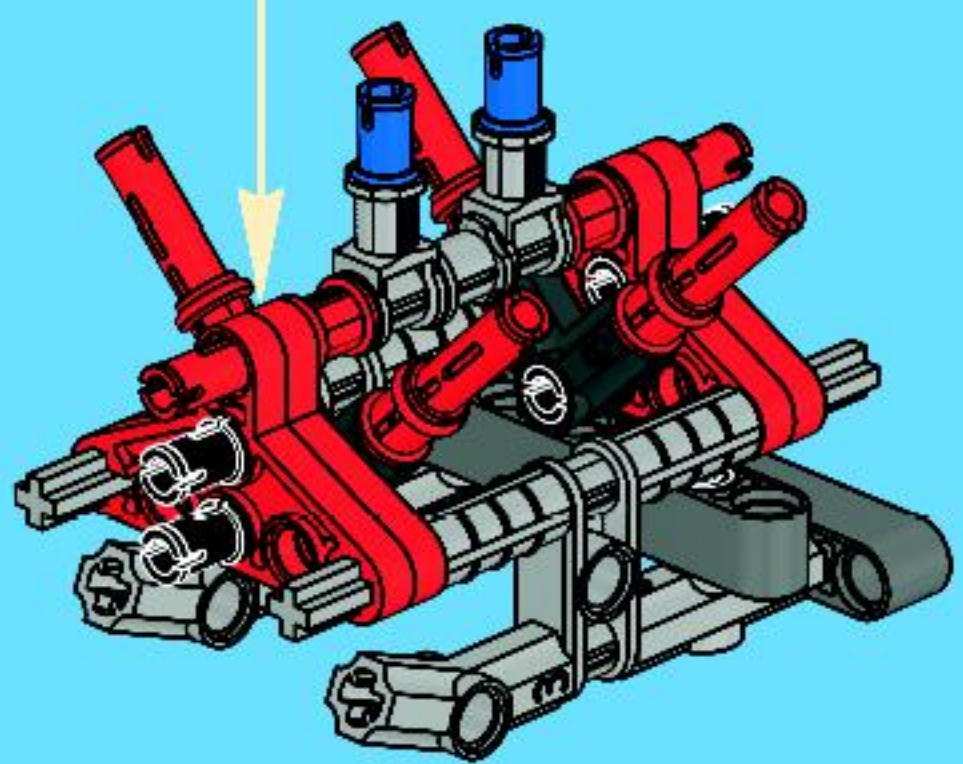
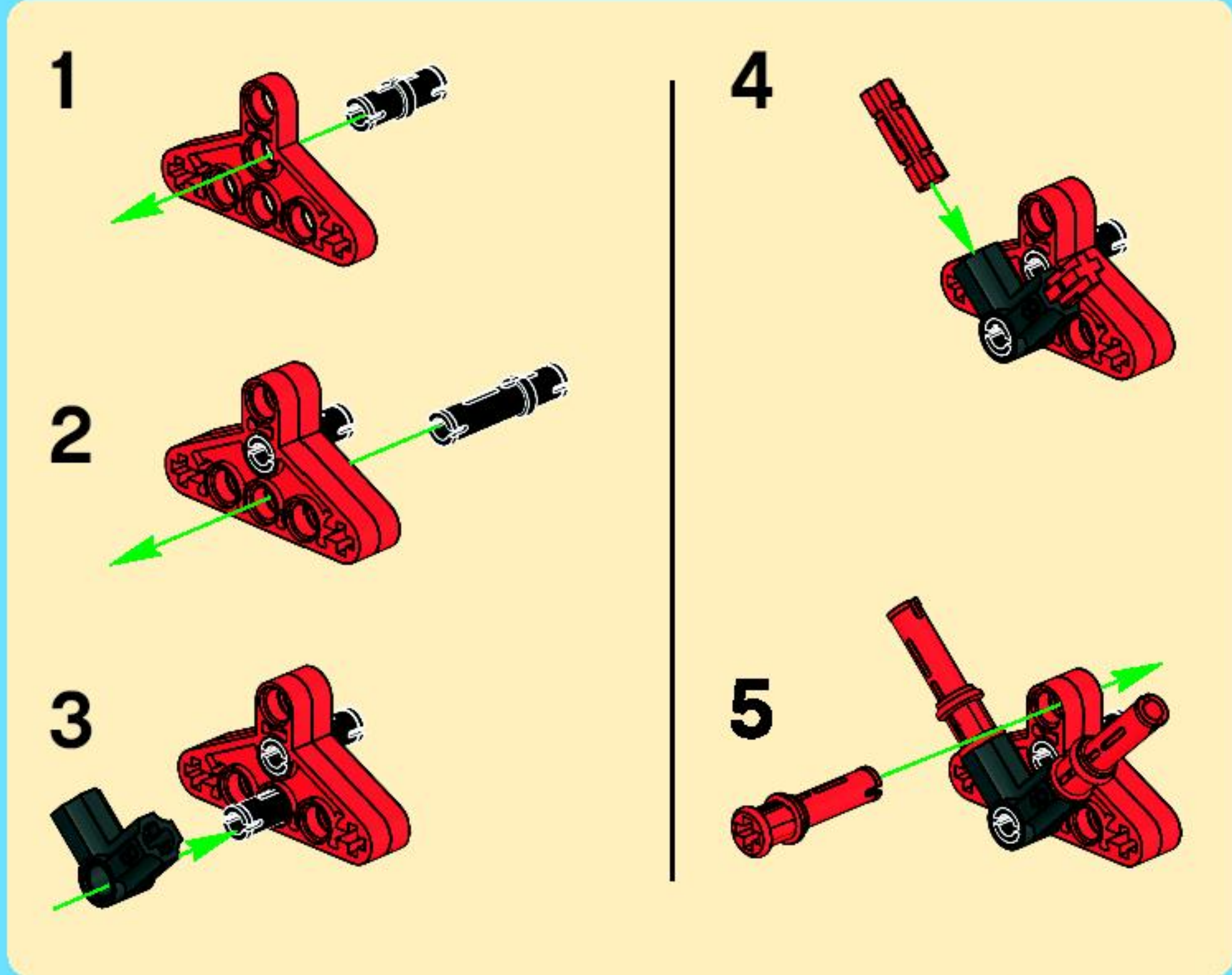


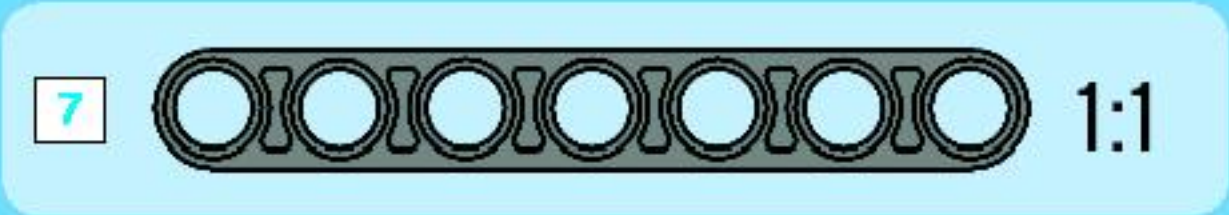
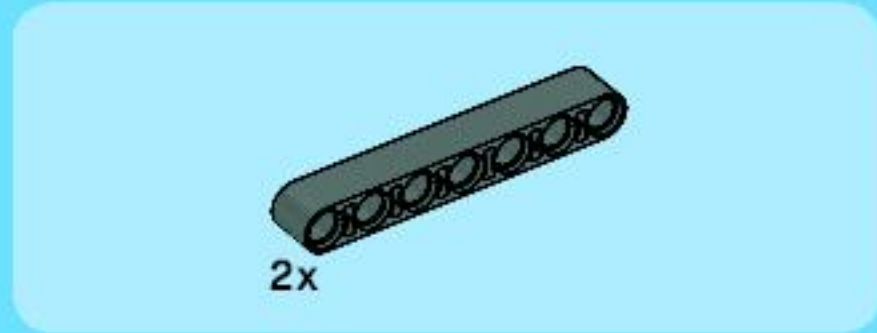


7

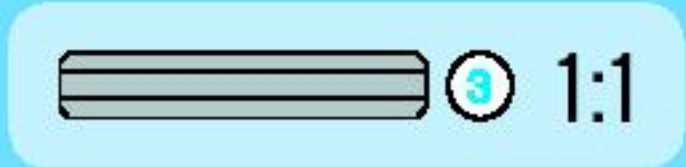
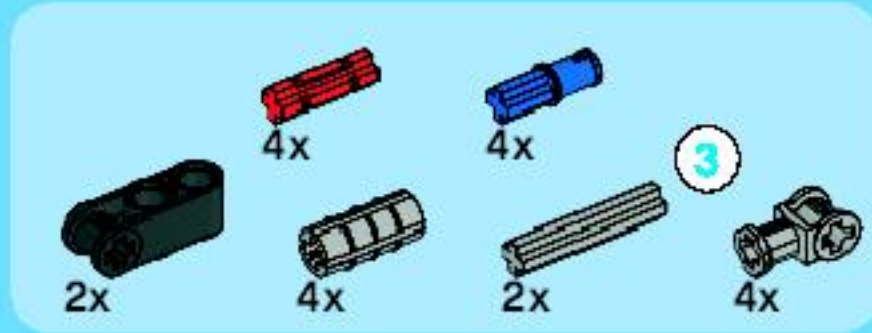
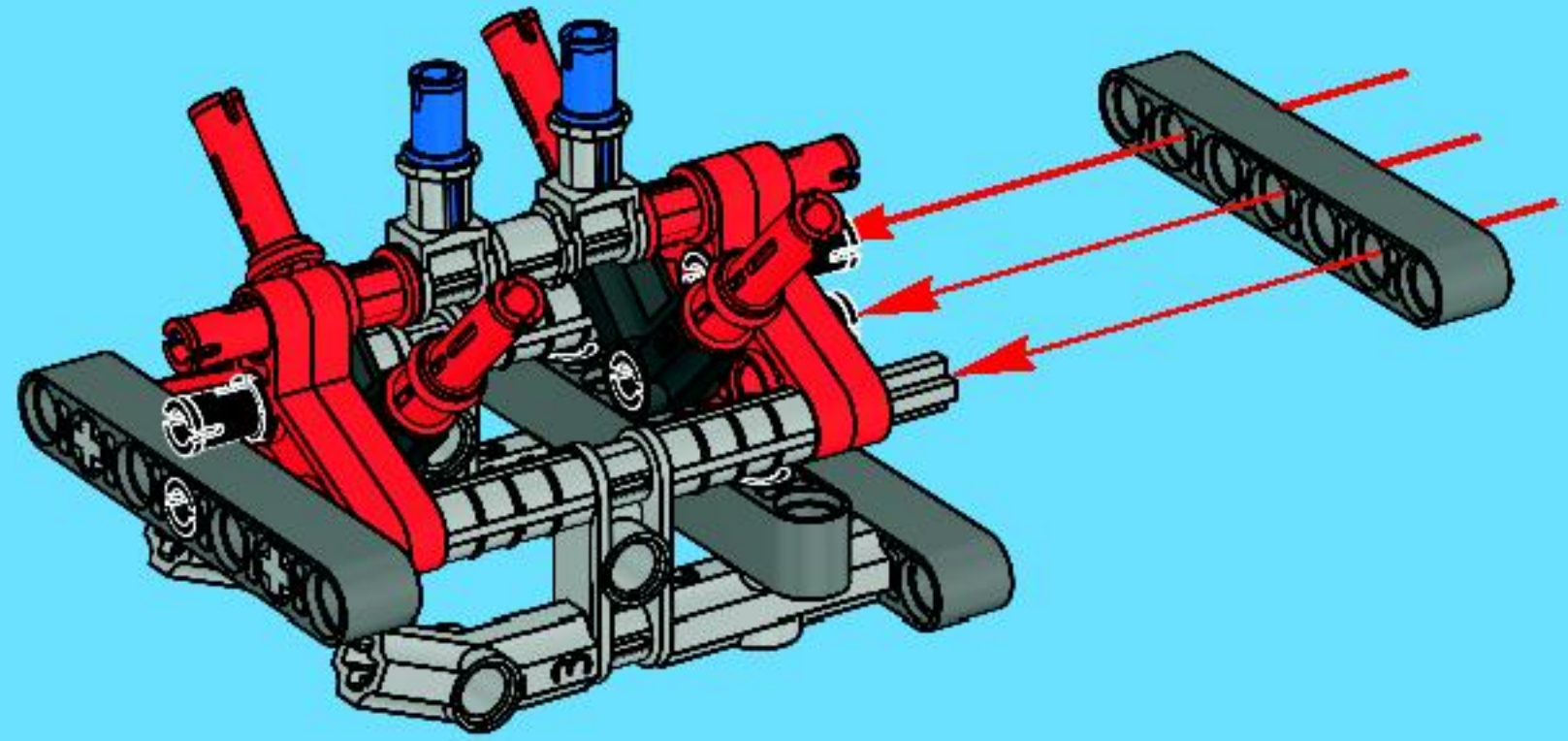


8

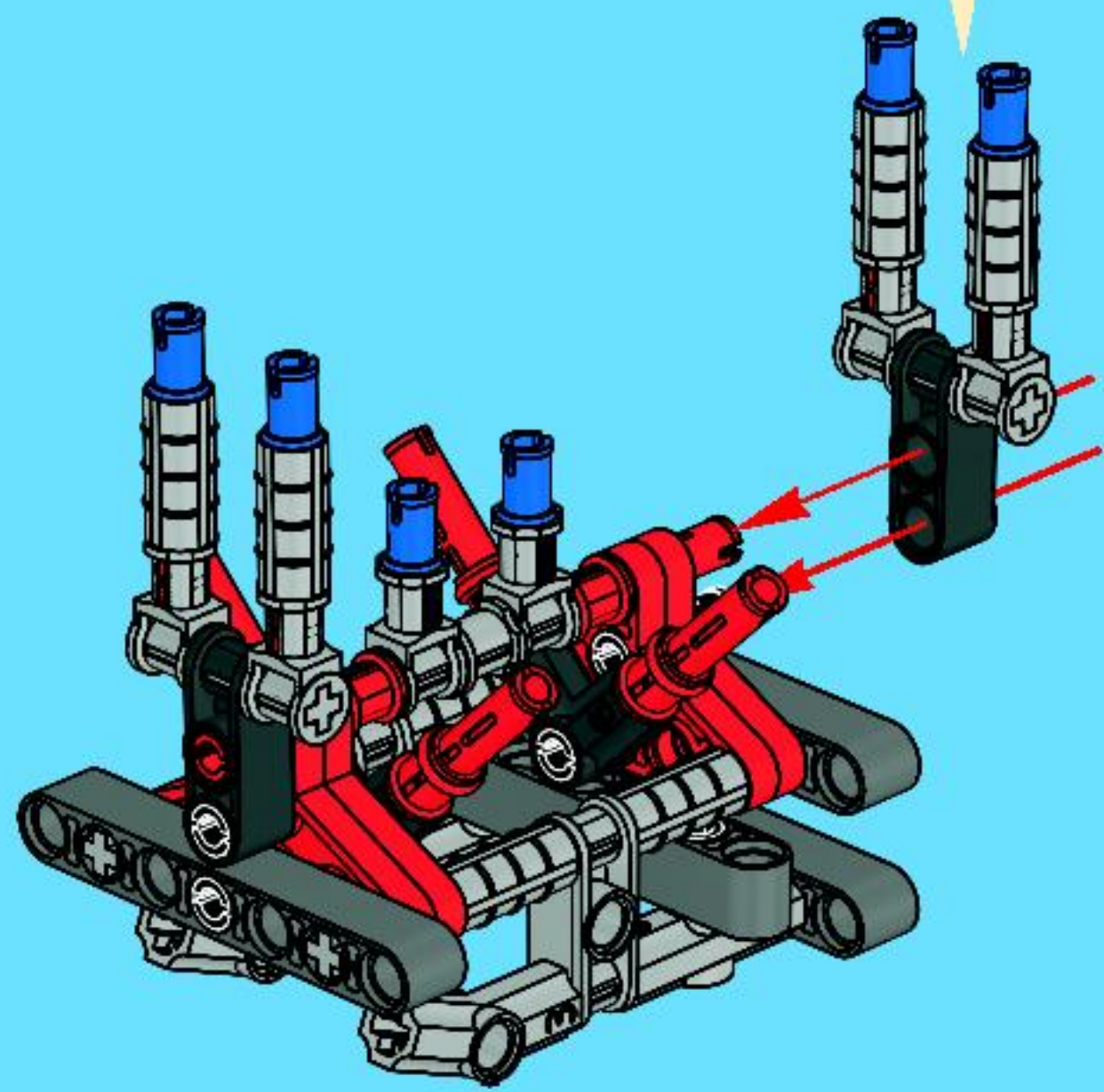
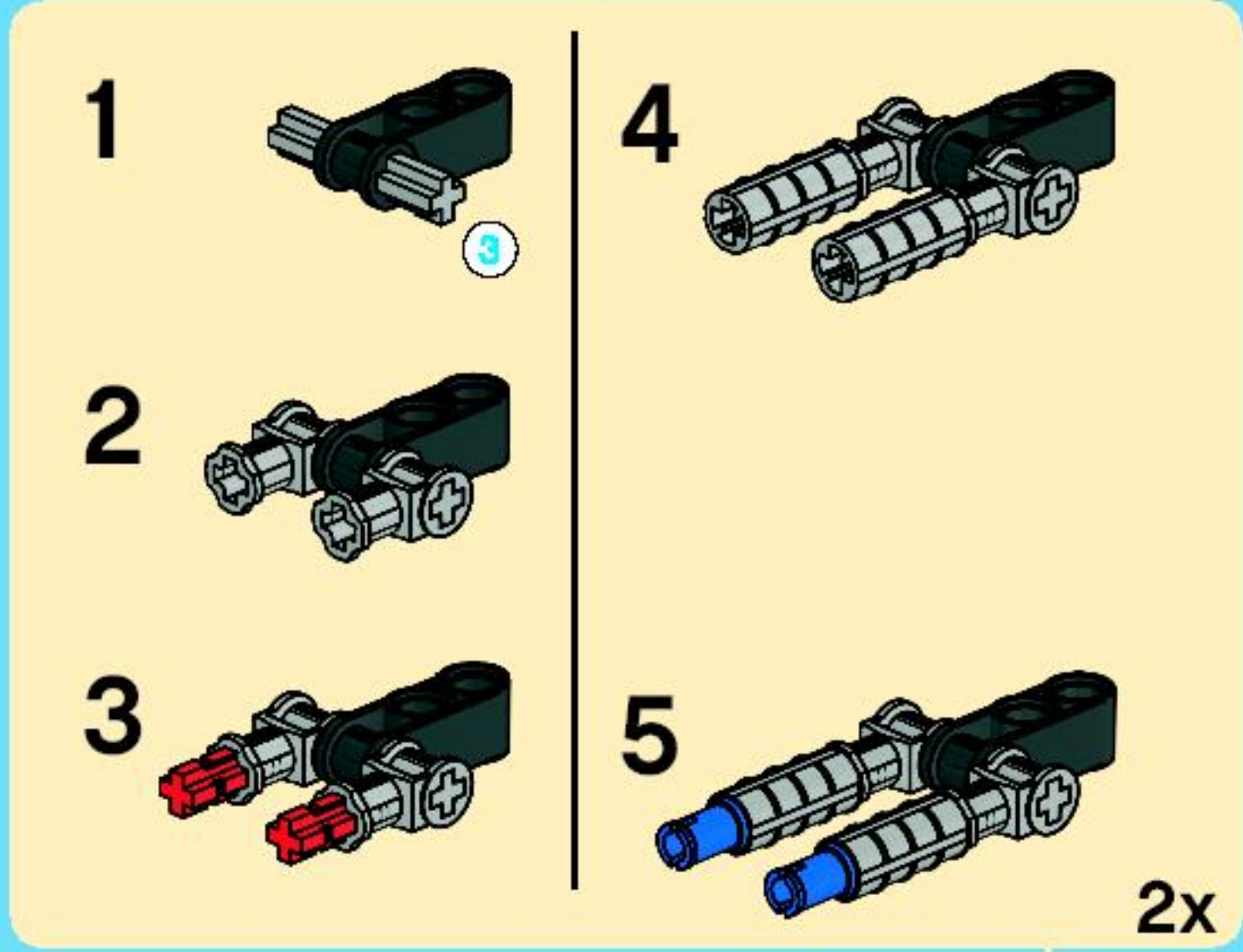


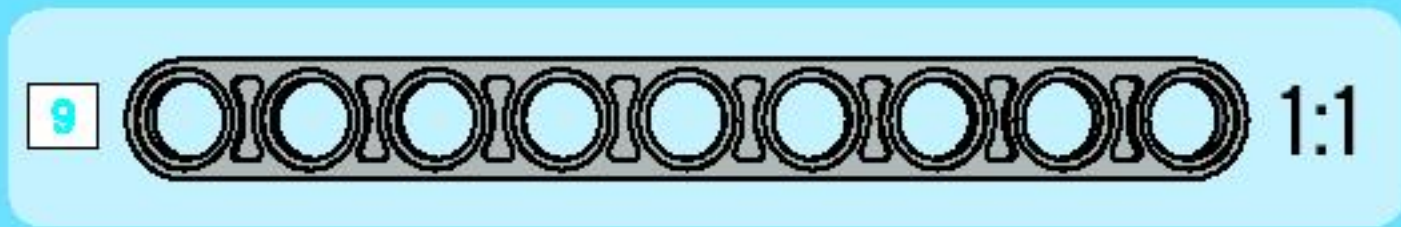
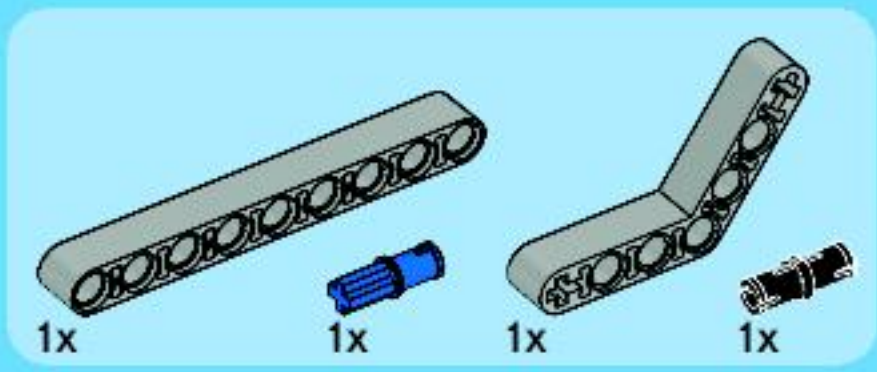


9

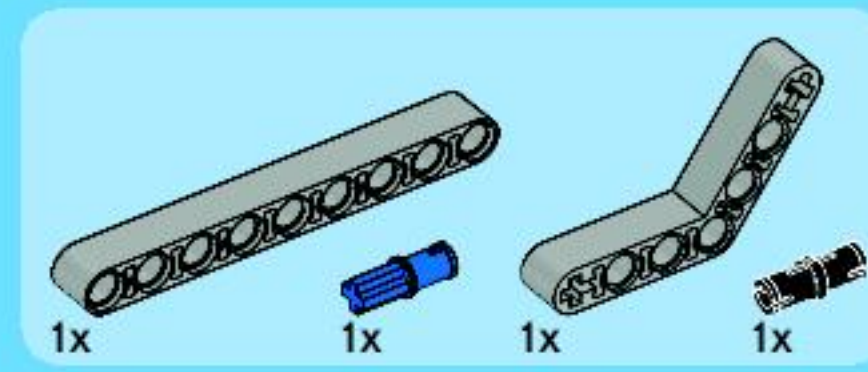
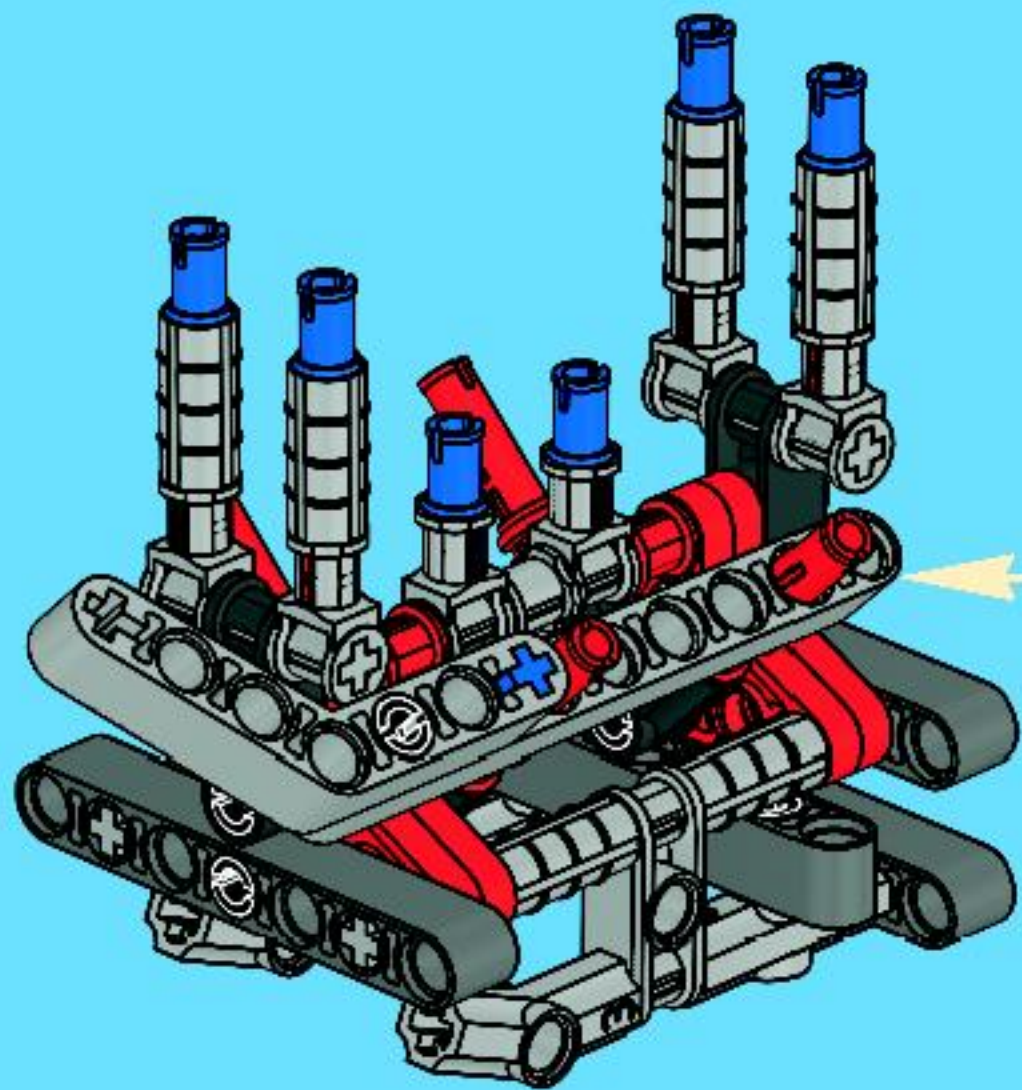
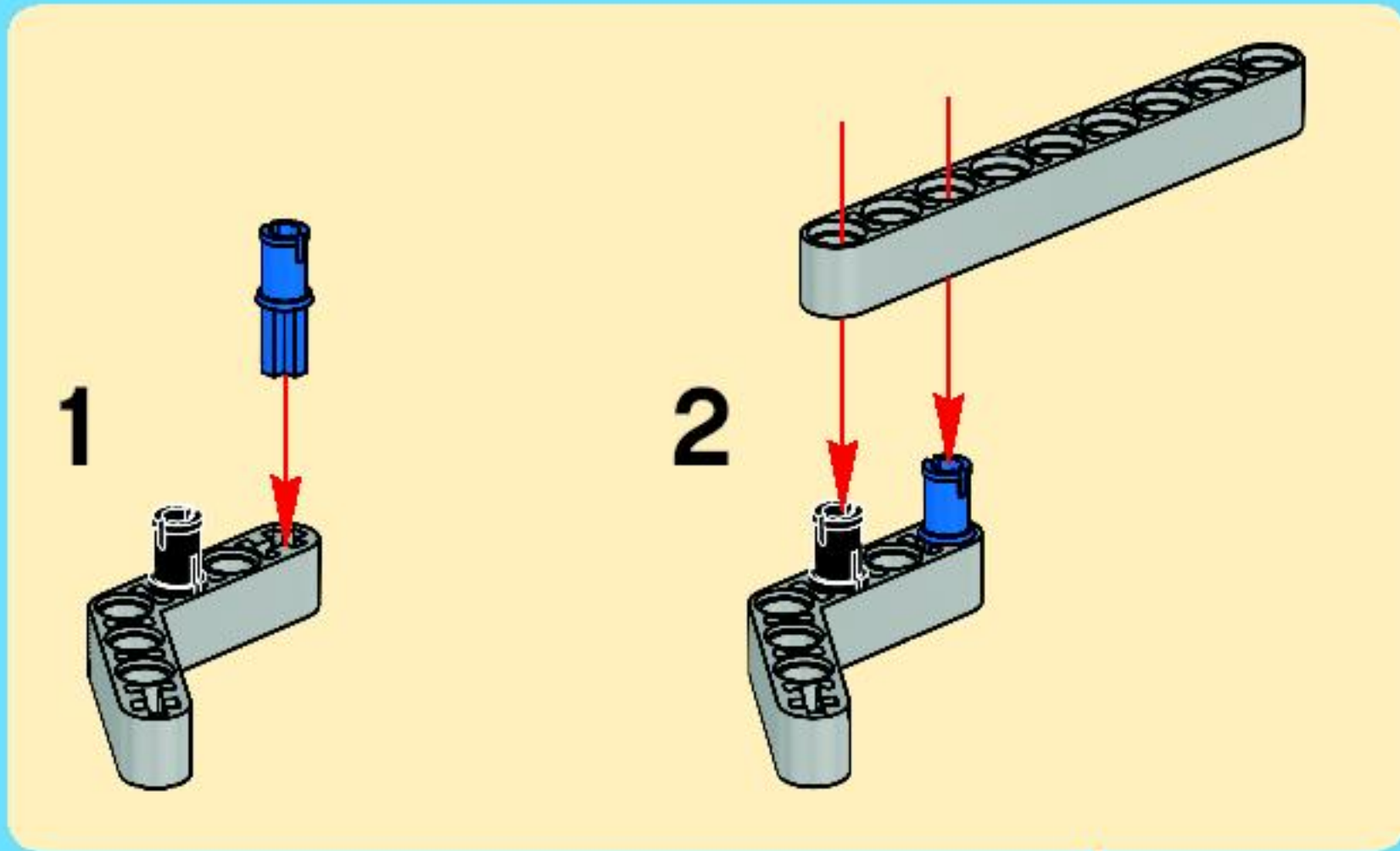


10

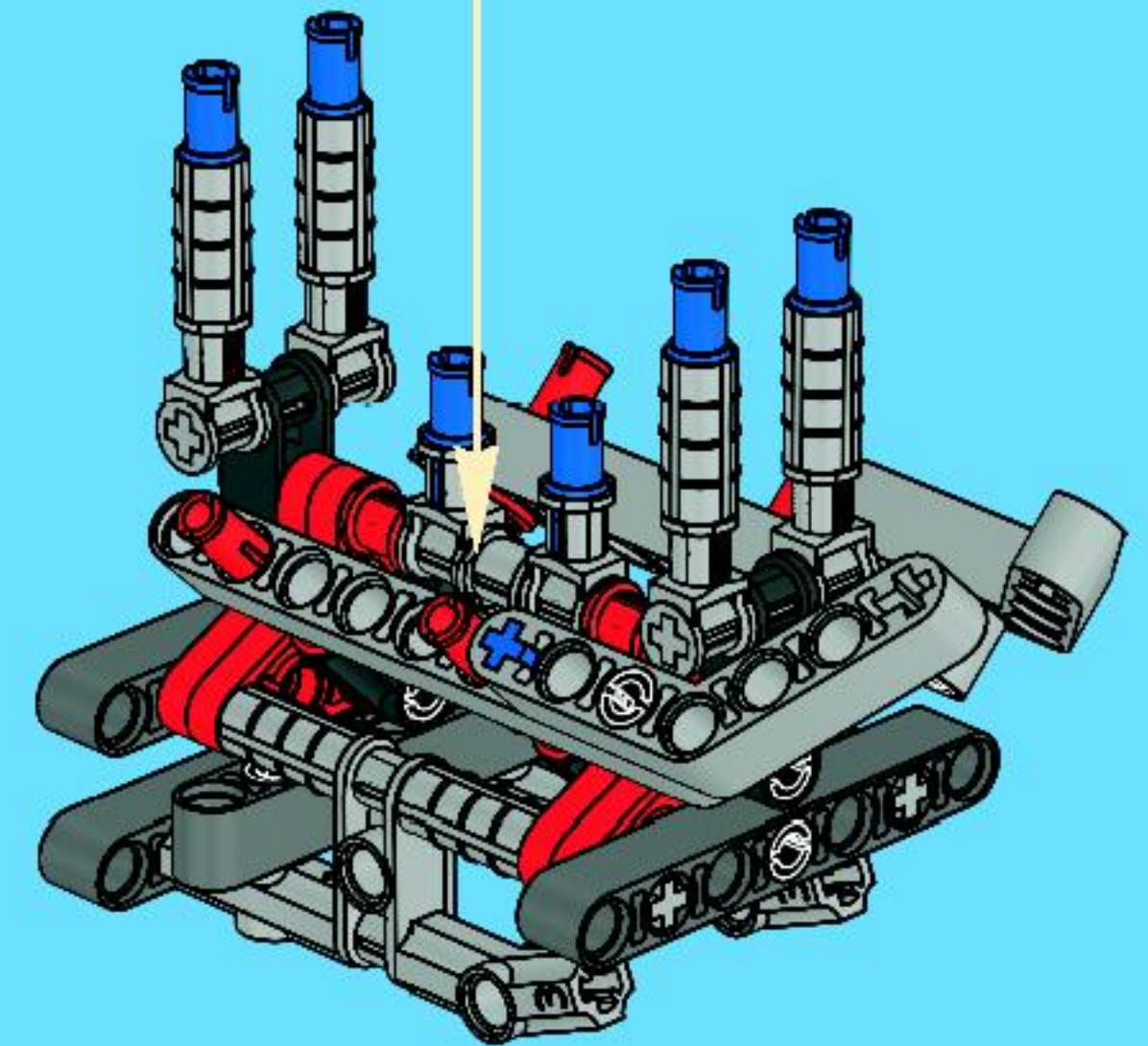
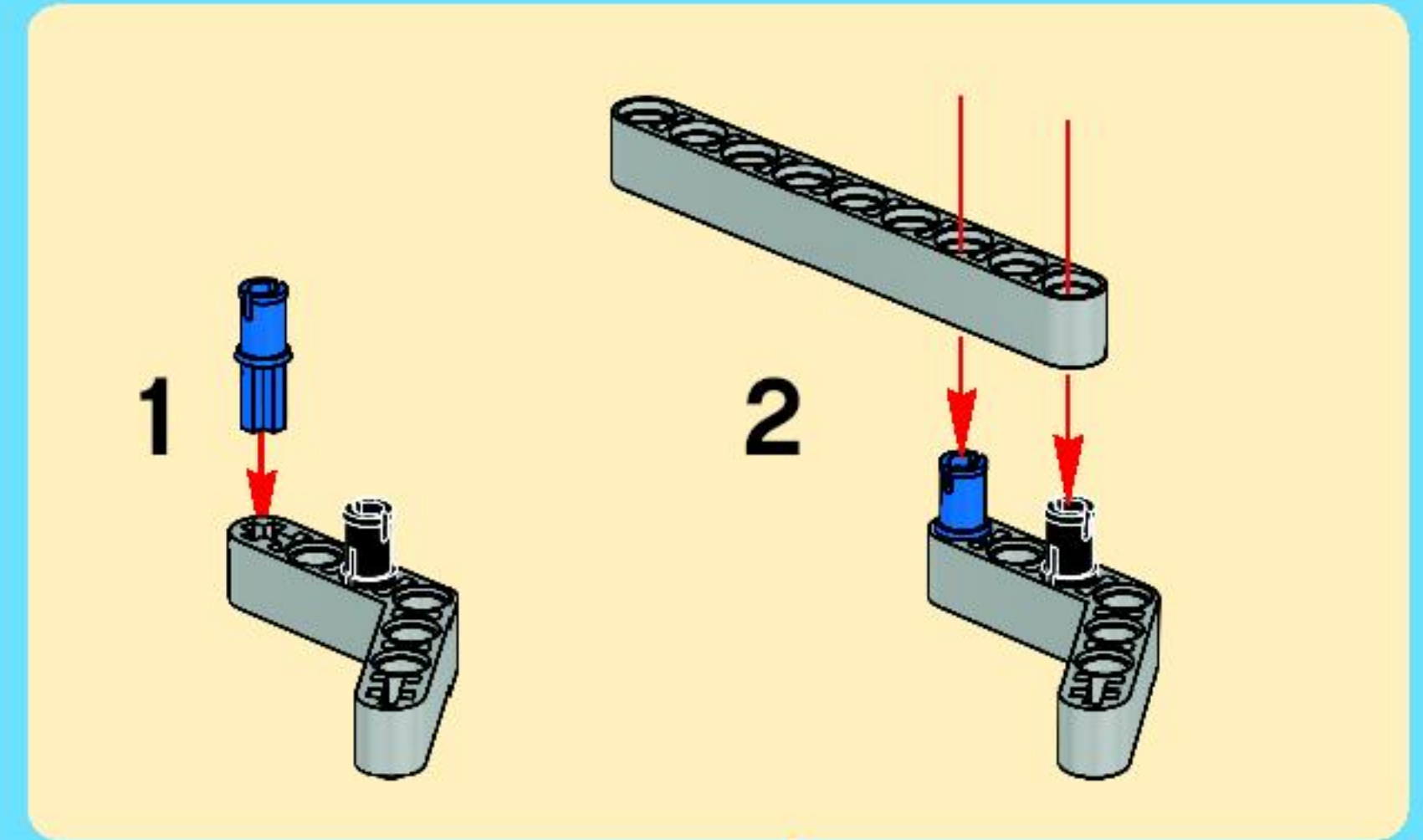


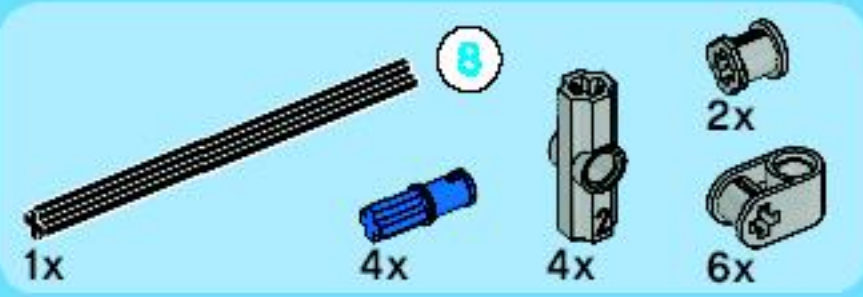


11



12





13

1. Insert the long axle (8 holes) into the first hole of the grey bushing.

2. Slide the grey bushing onto the axle.

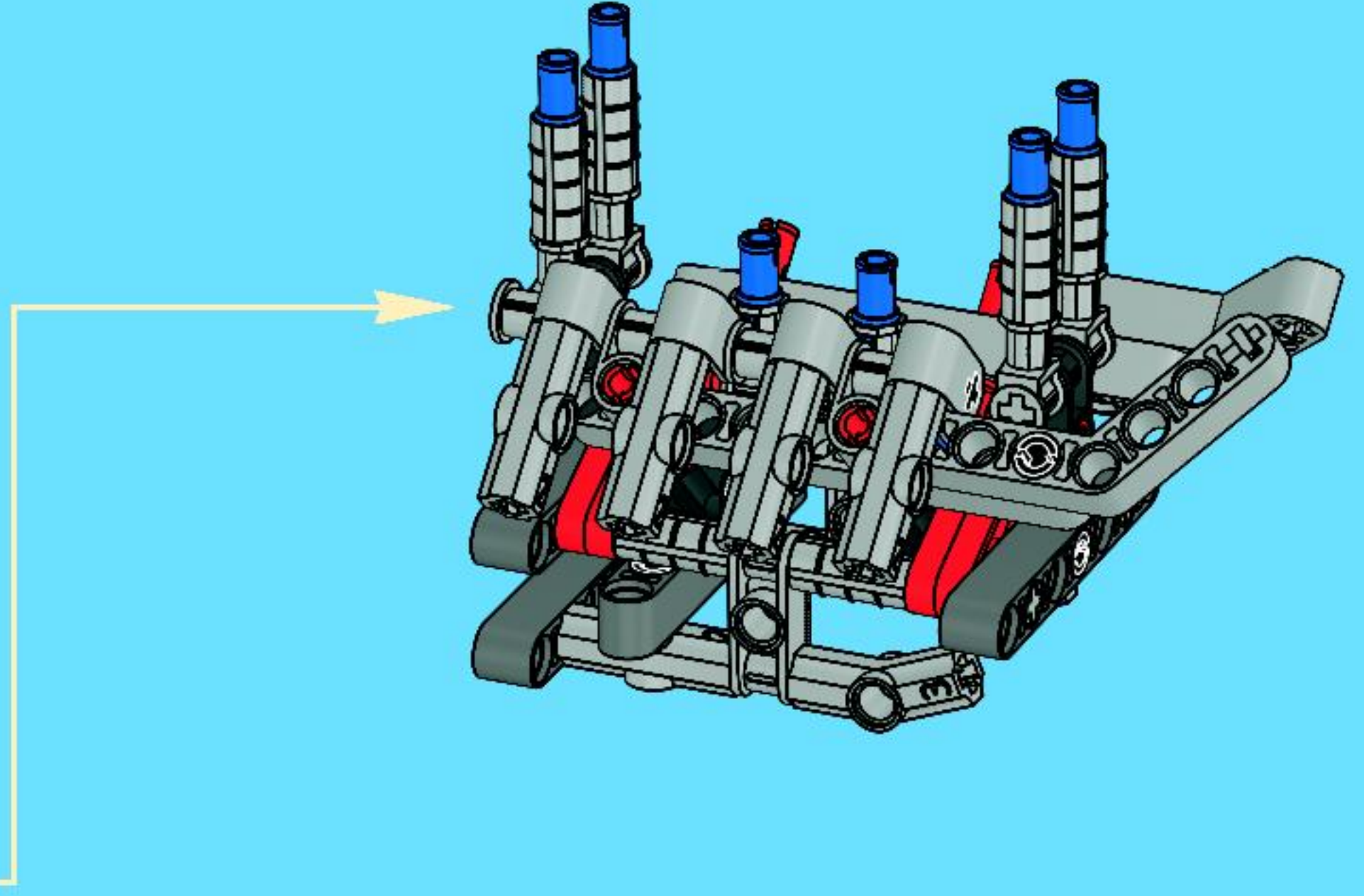
3. Slide the second grey bushing onto the axle.

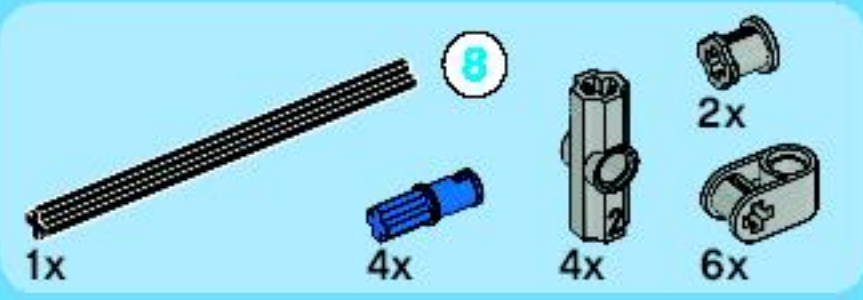
4. Slide the third grey bushing onto the axle.

5. Slide the fourth grey bushing onto the axle.

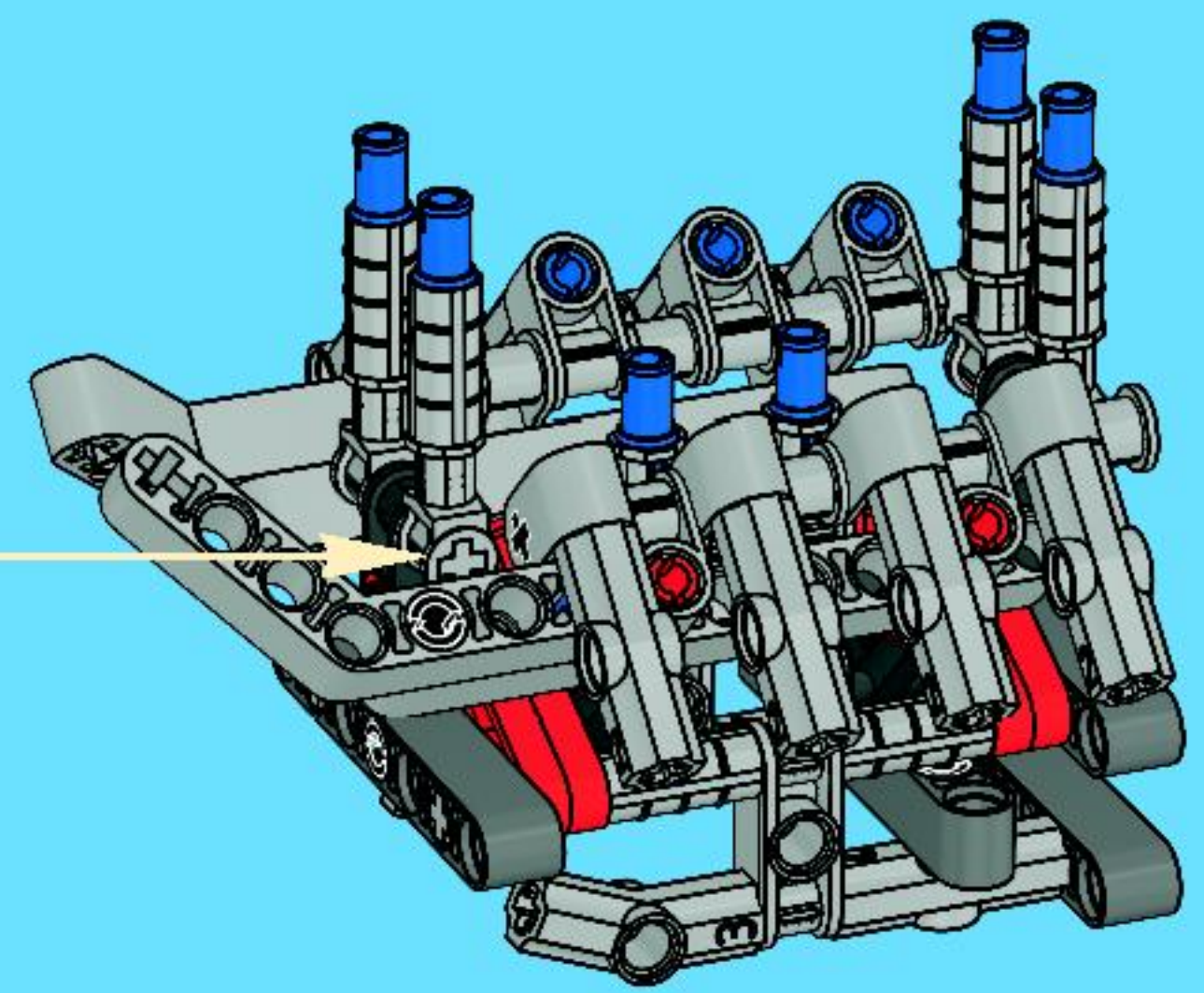
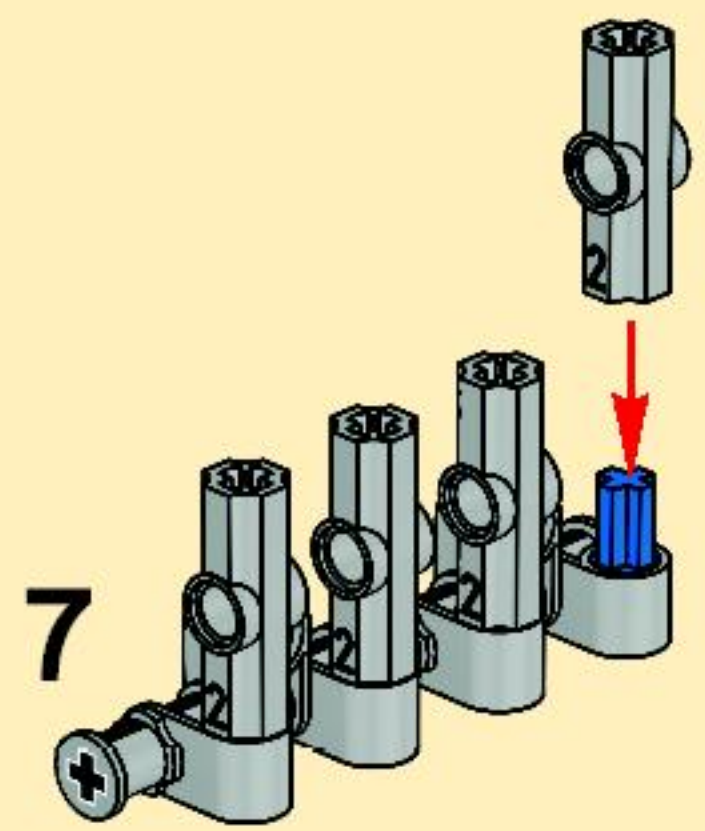
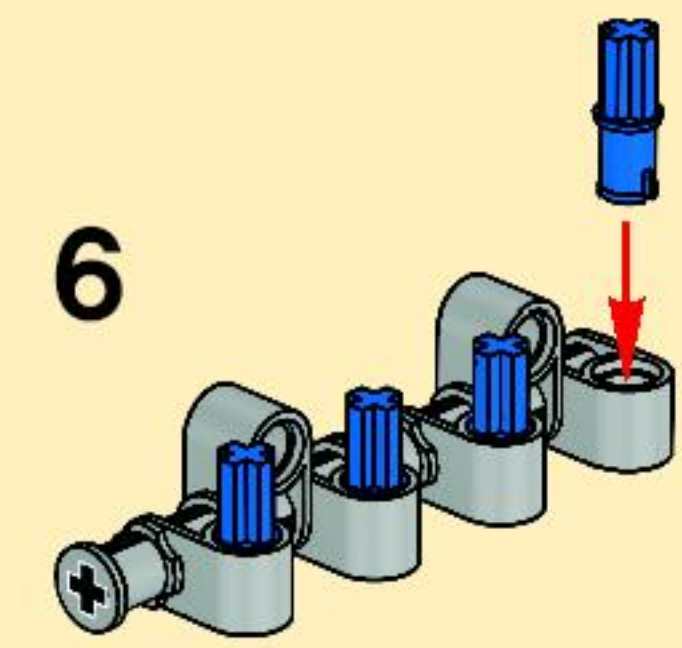
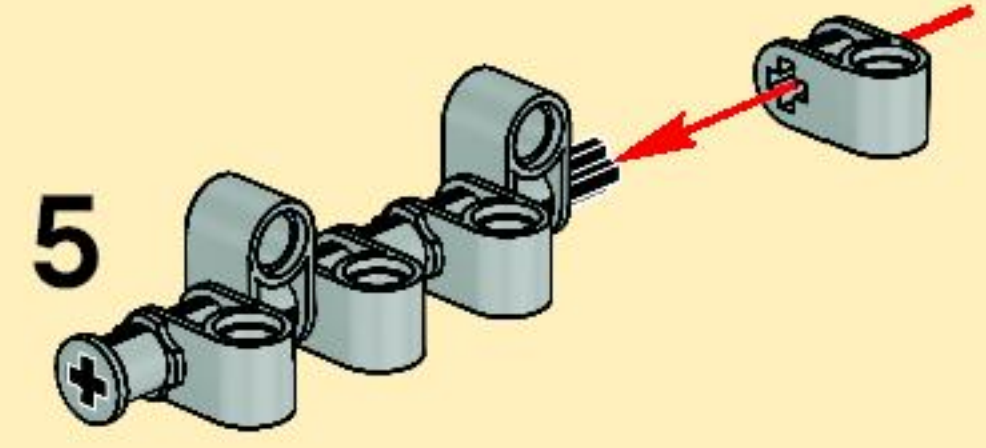
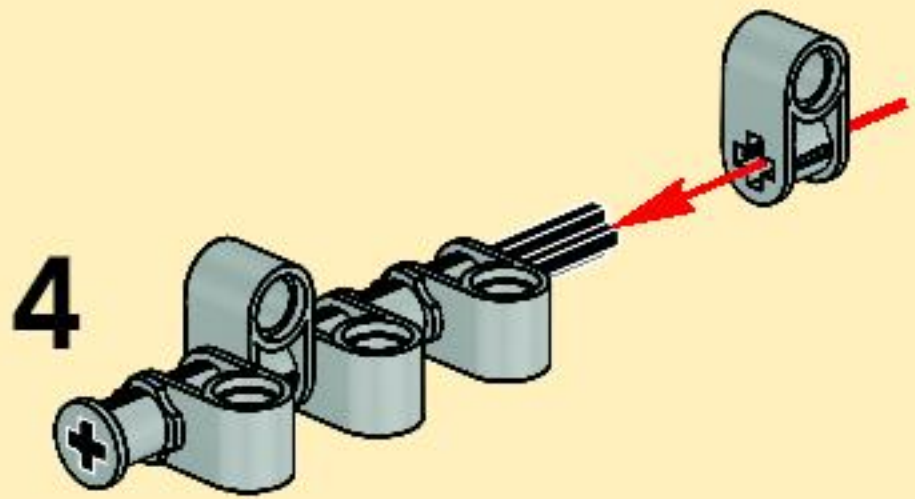
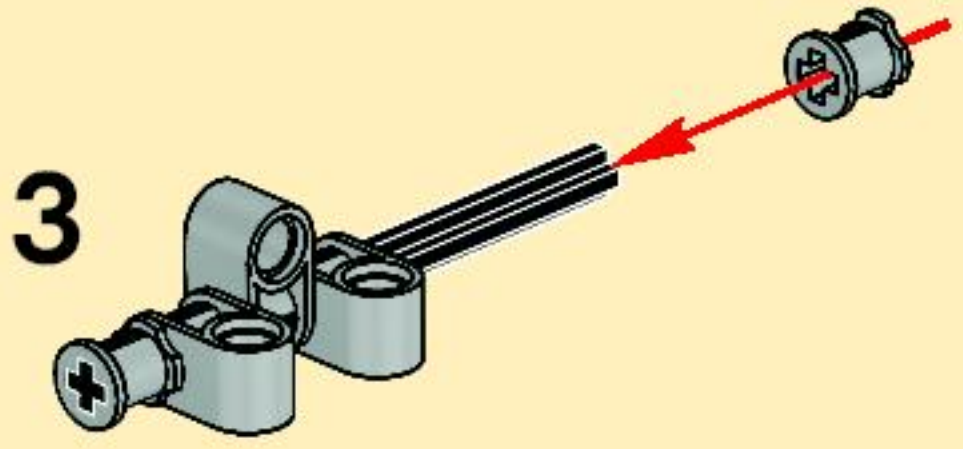
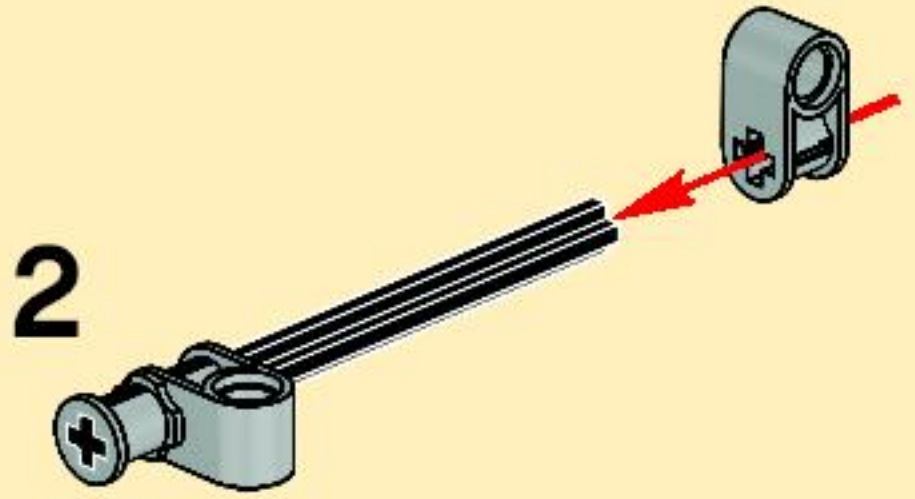
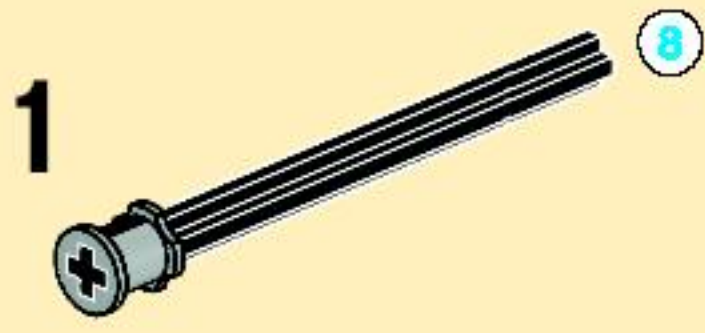
6. Insert a blue pin into the hole of the fourth bushing.

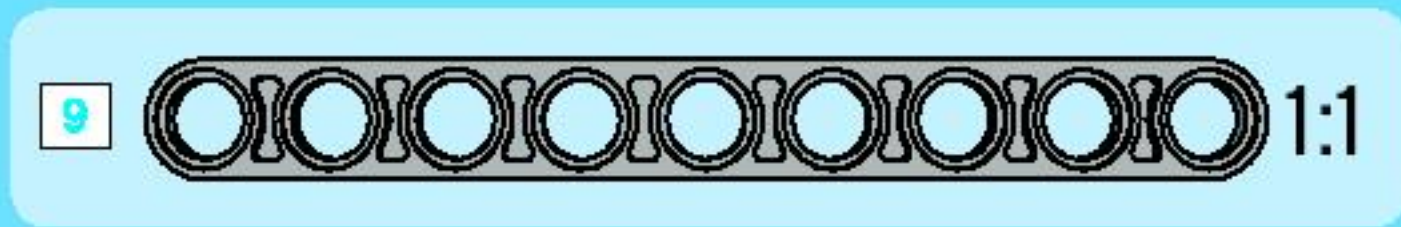
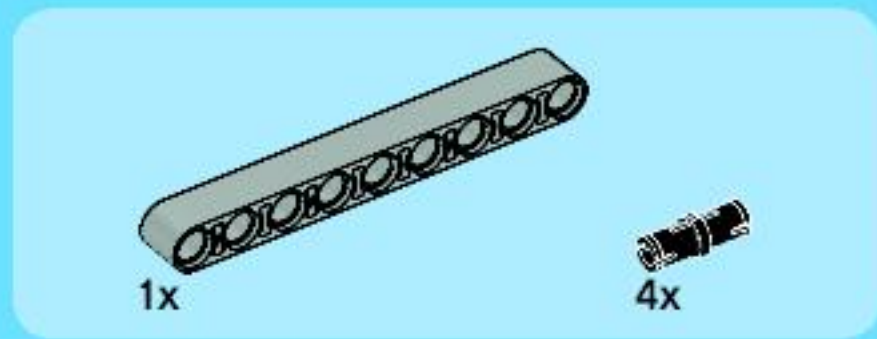
7. Insert a grey bushing into the hole of the blue pin.



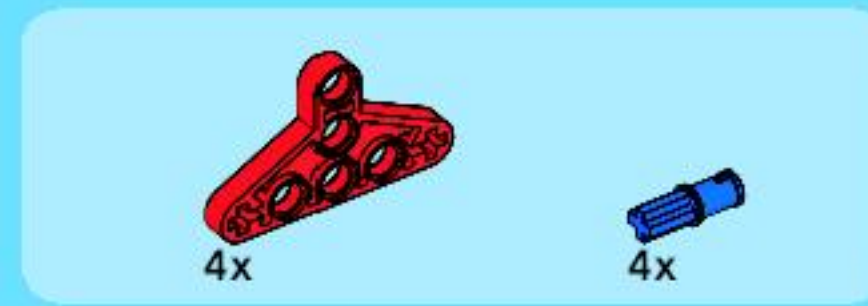
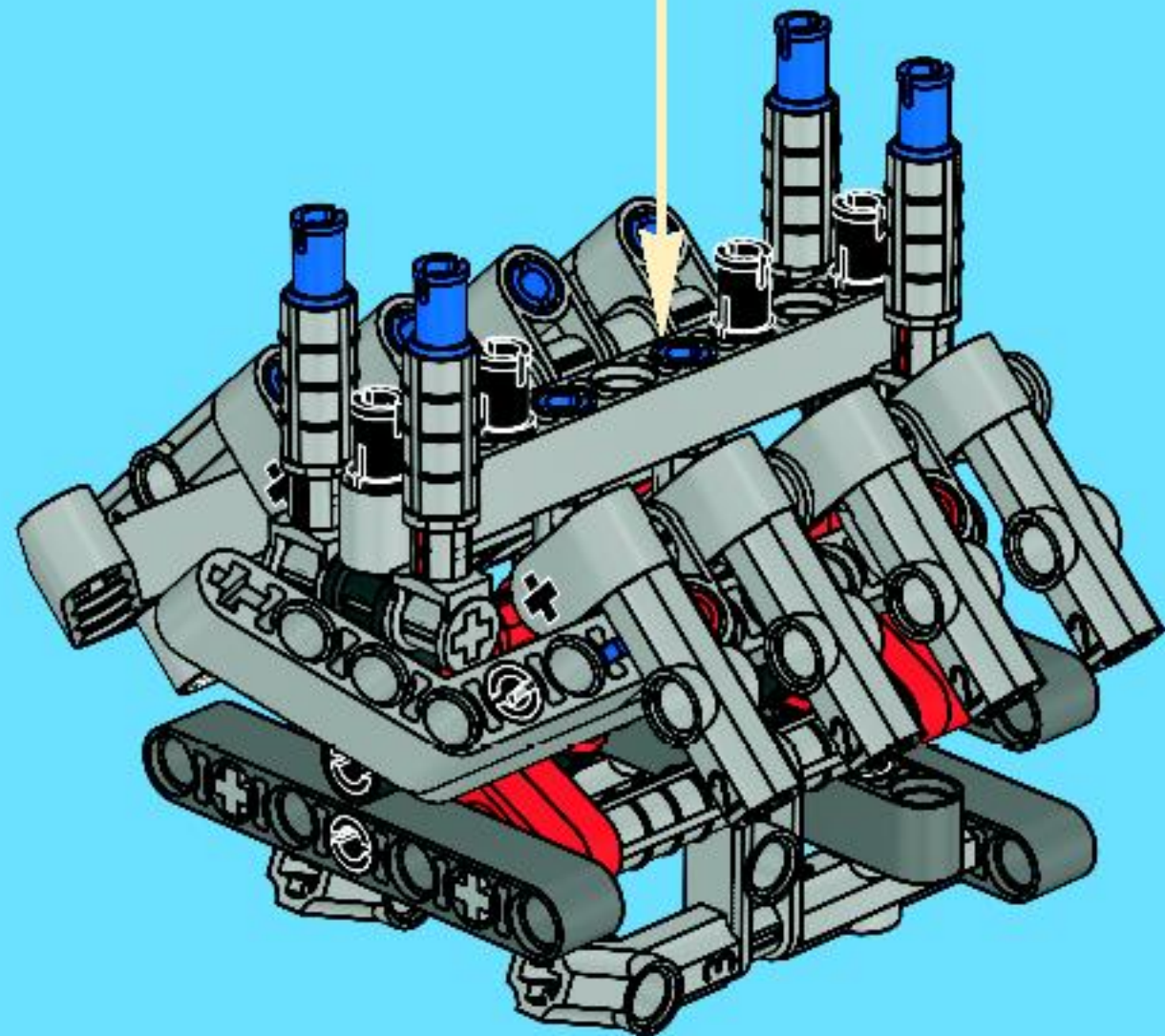
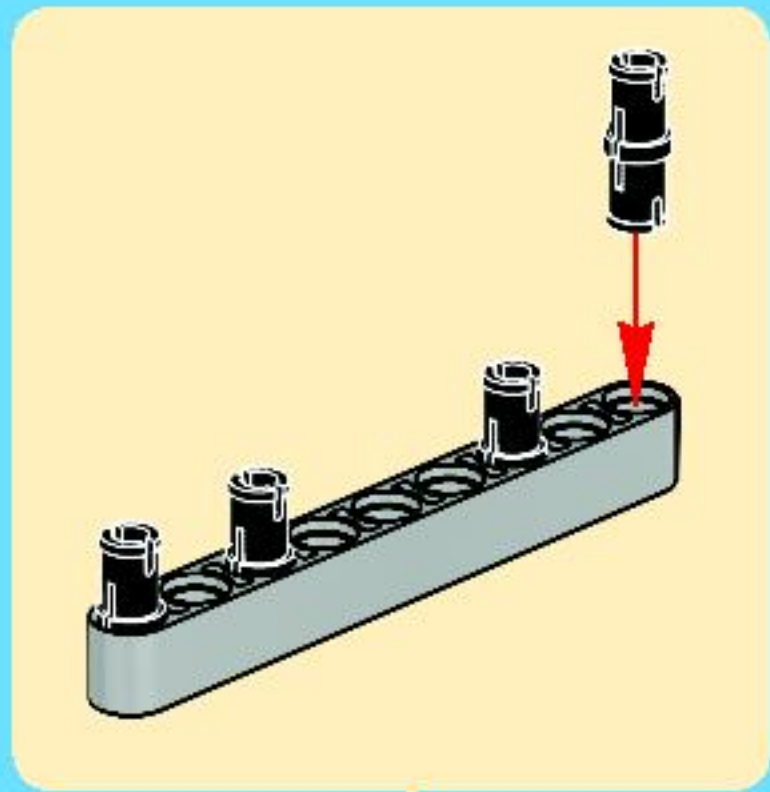


14

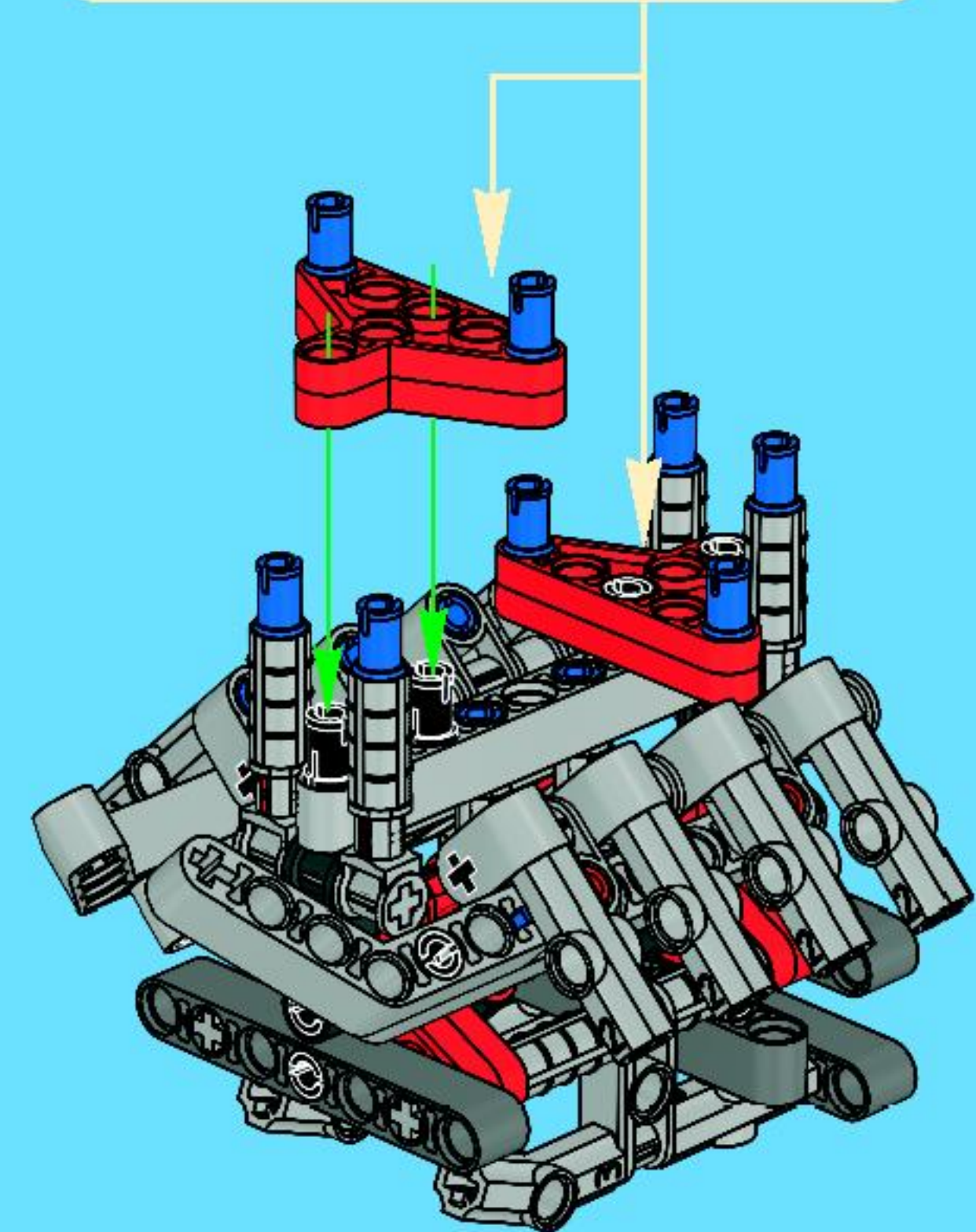
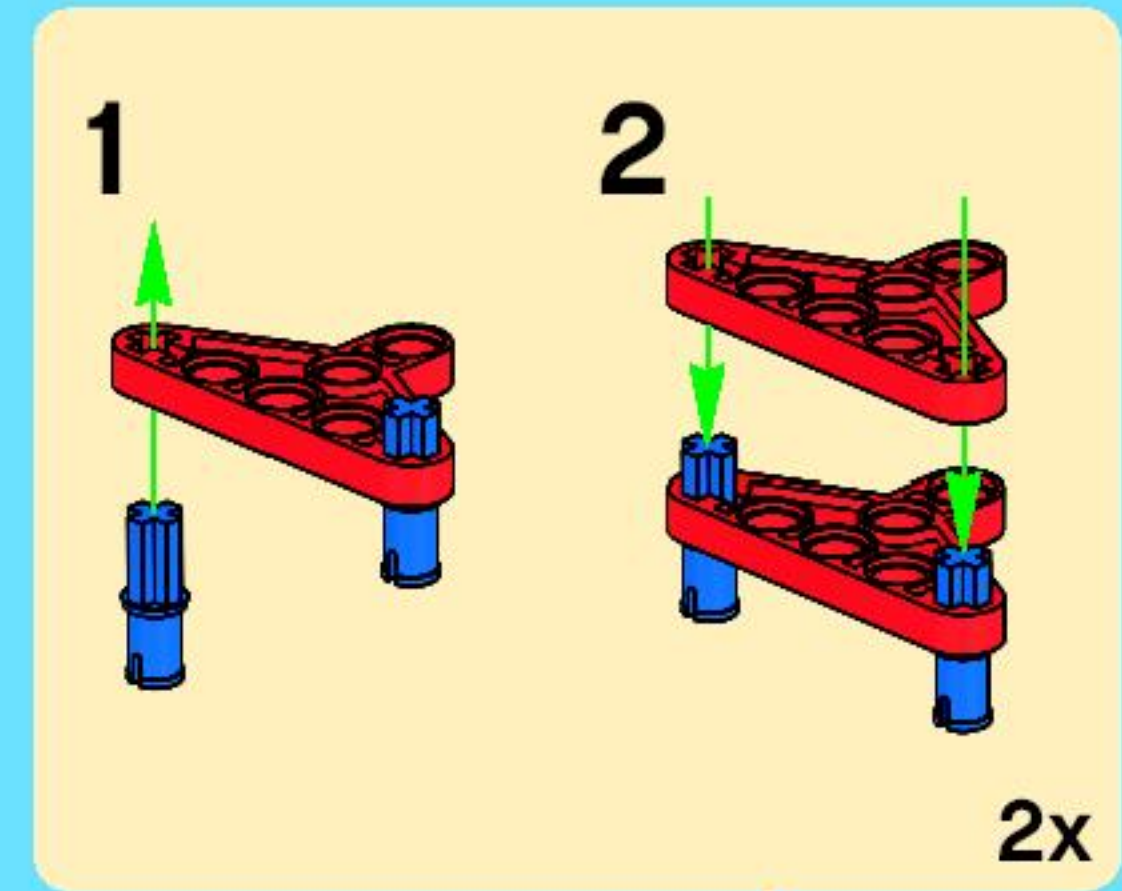




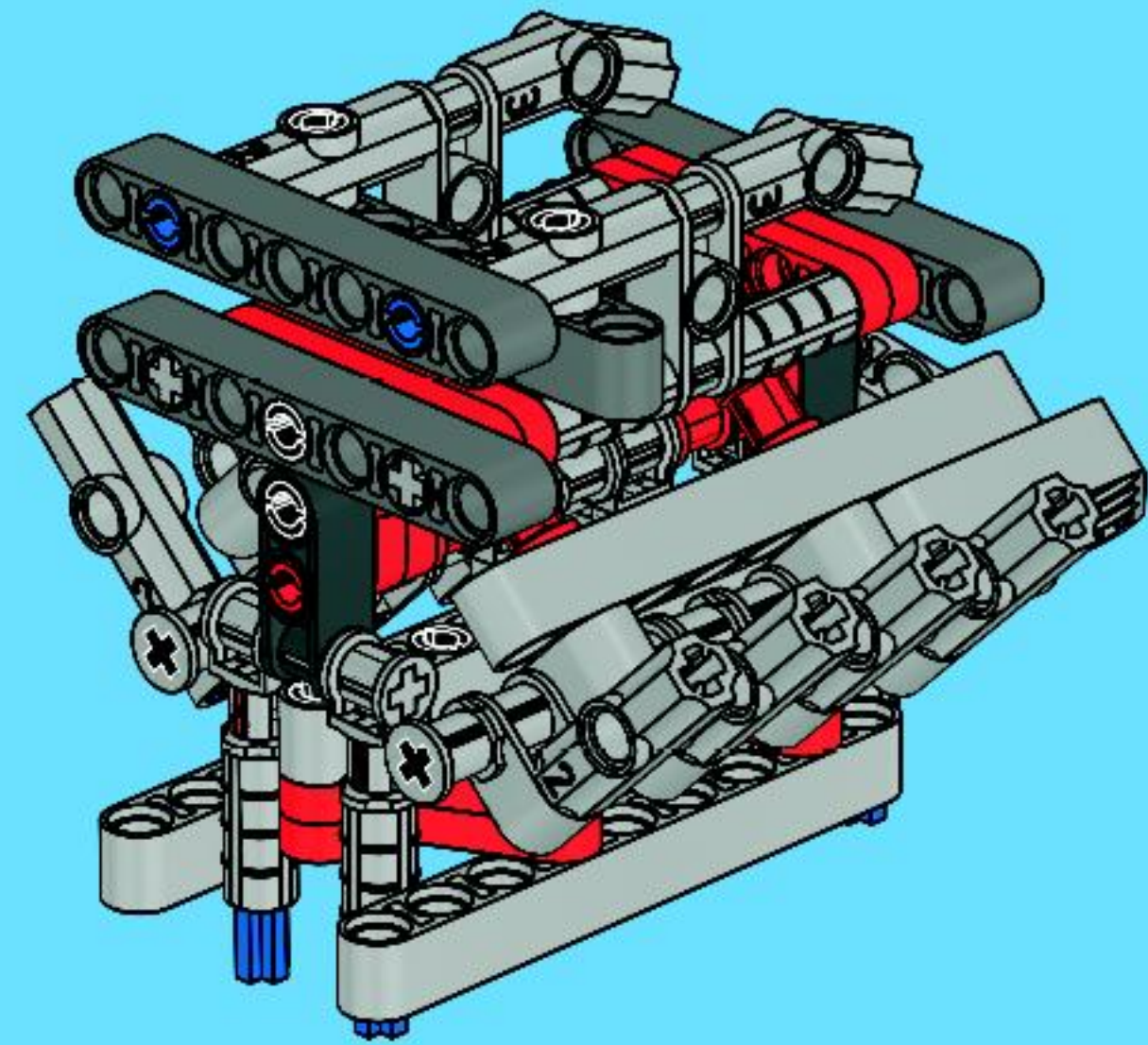
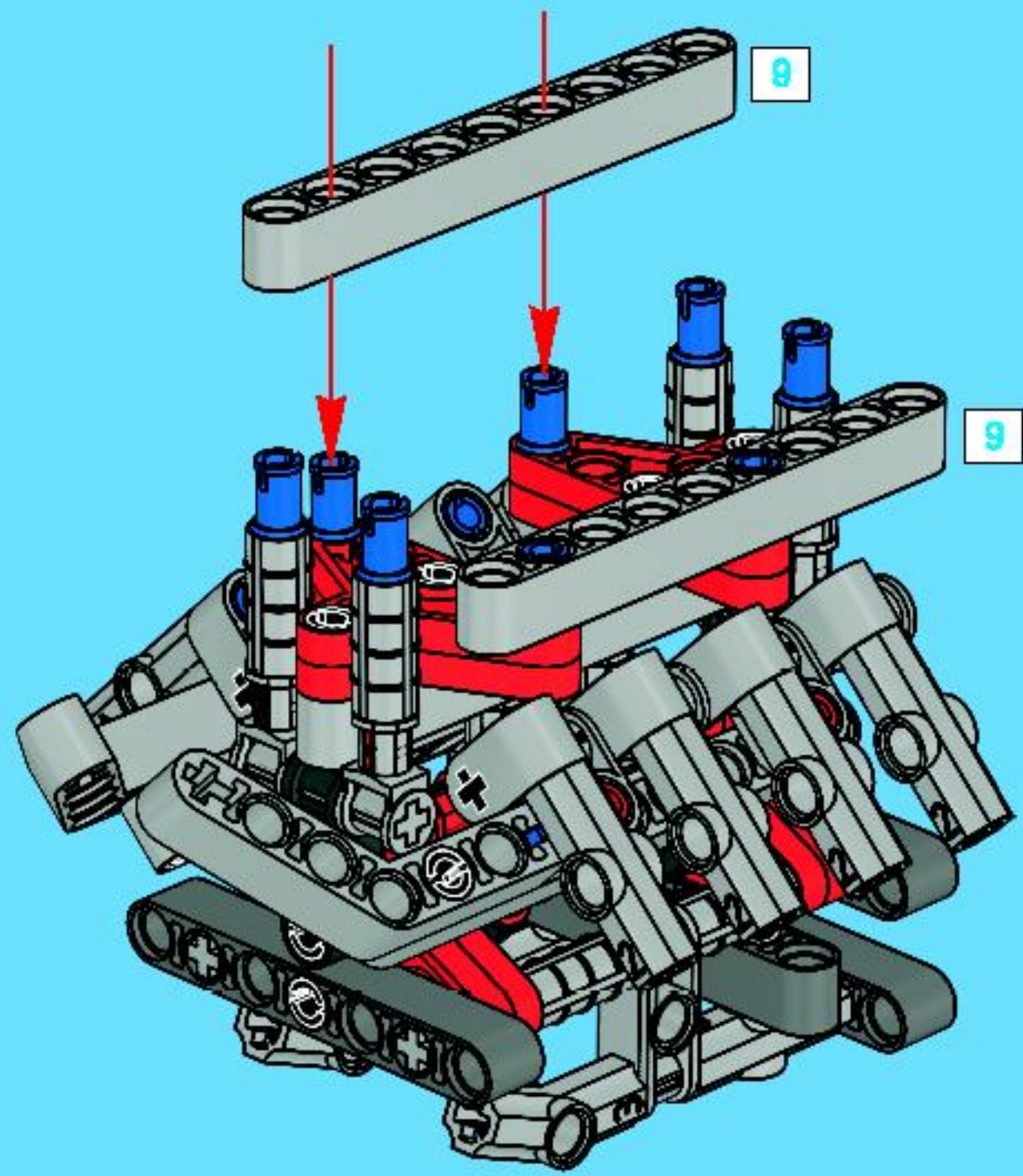
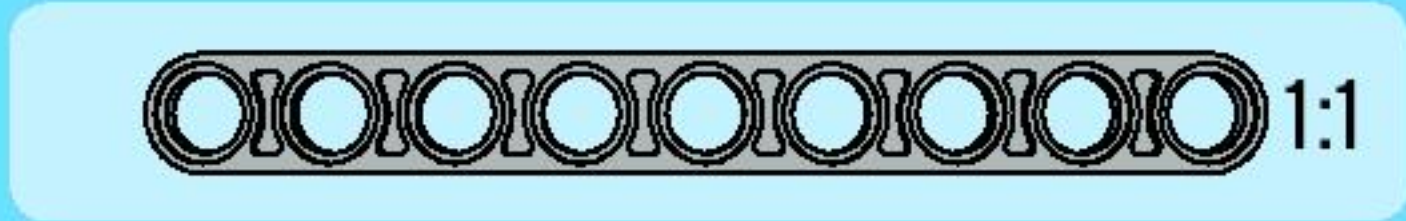
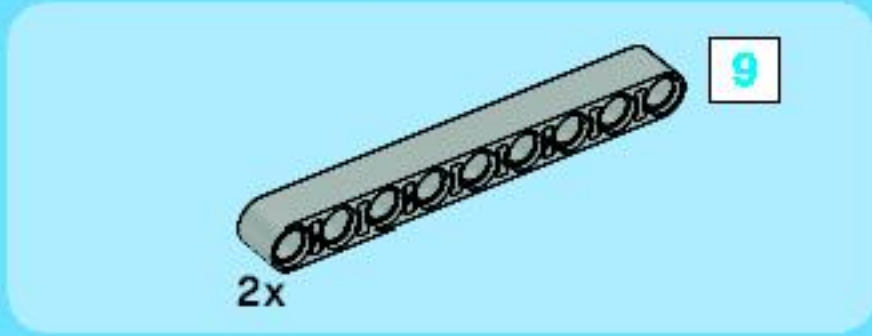
15

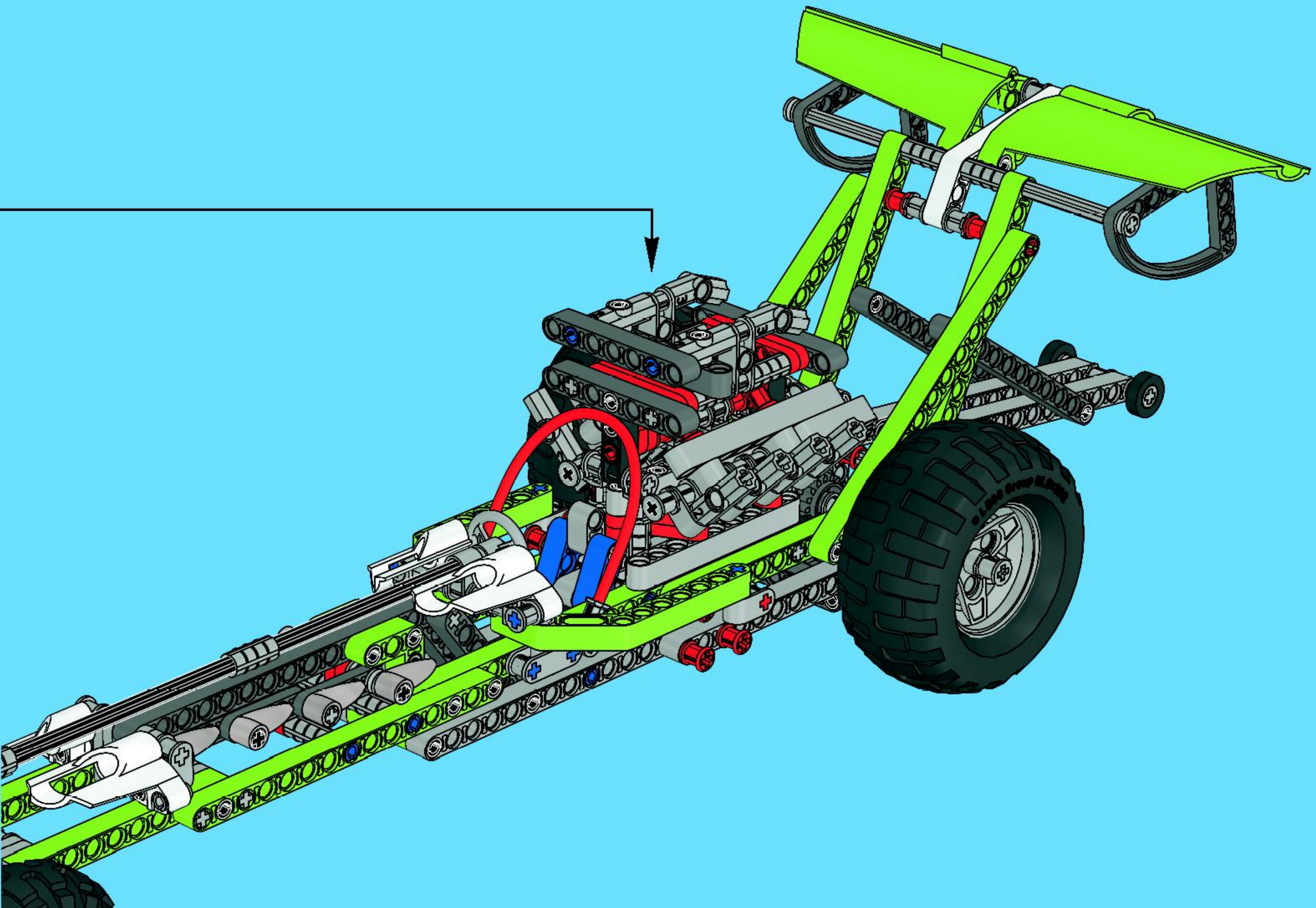


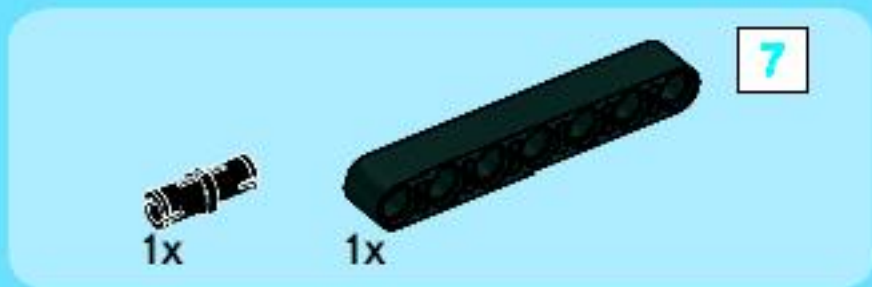
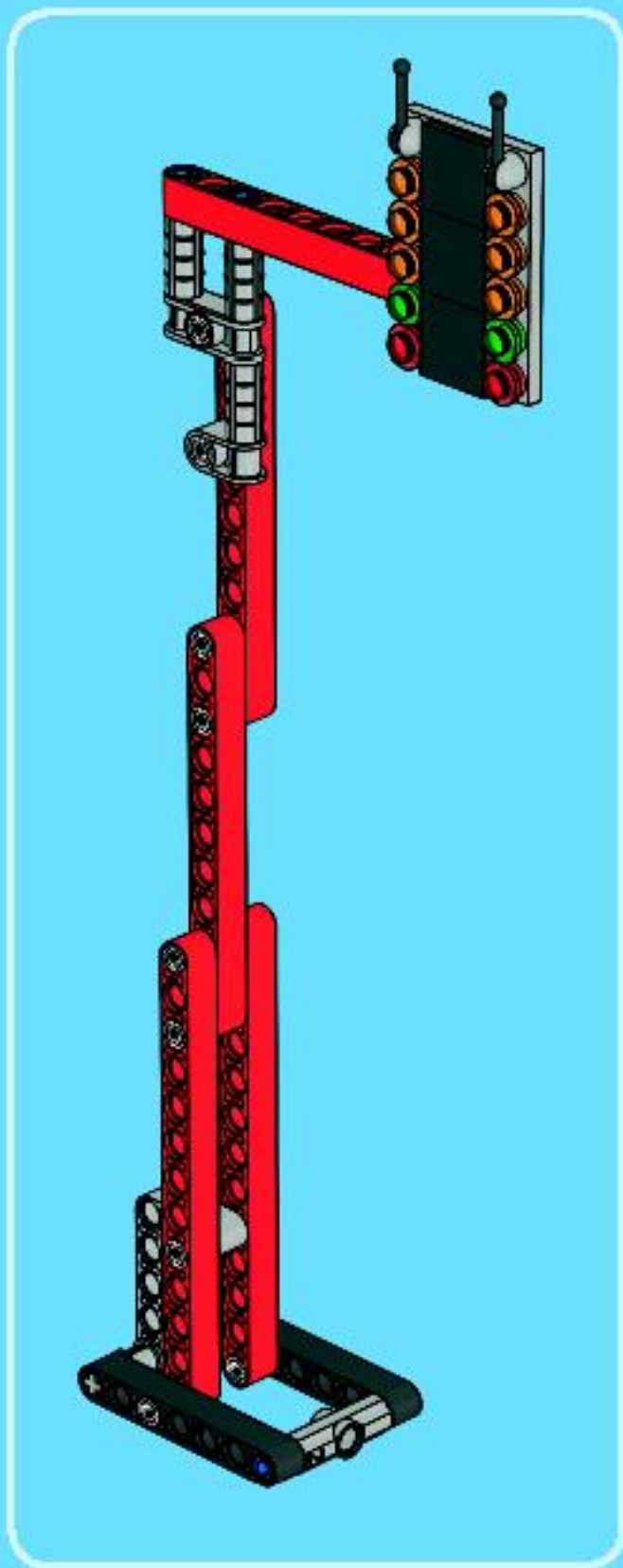
16



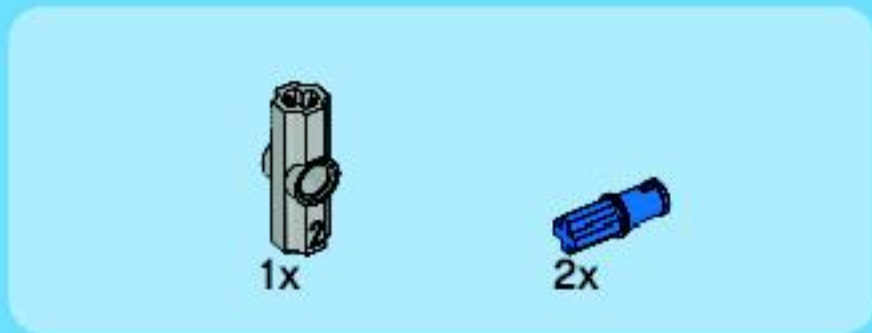
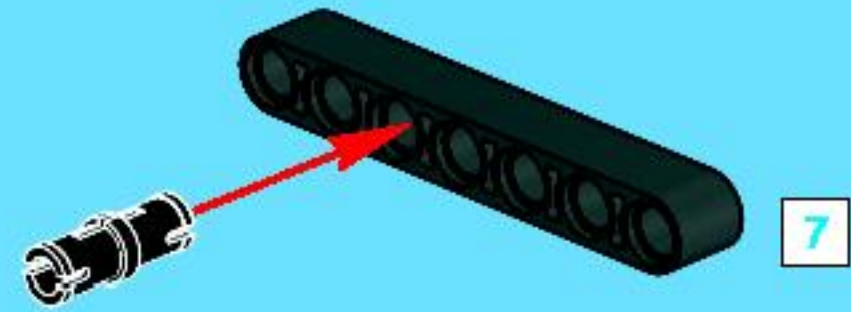
17



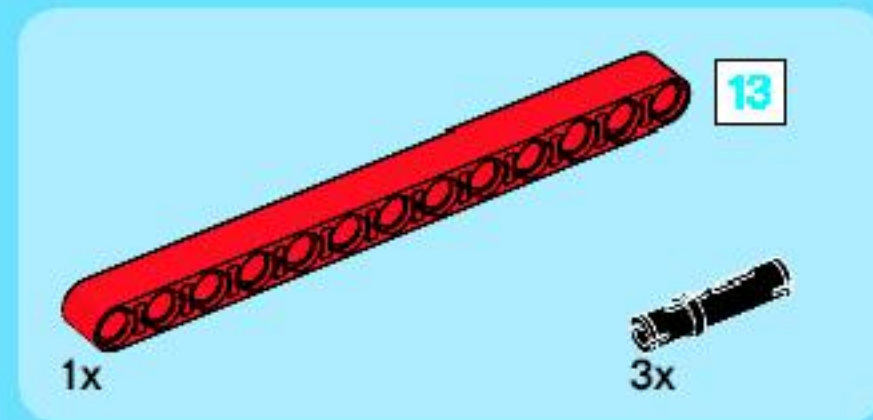
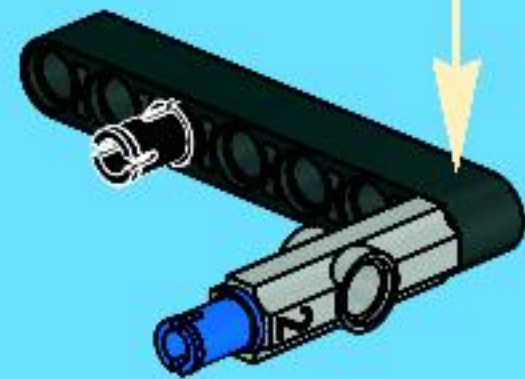
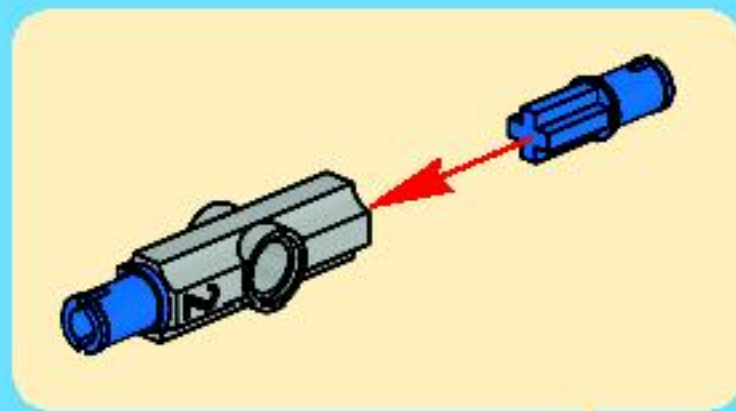




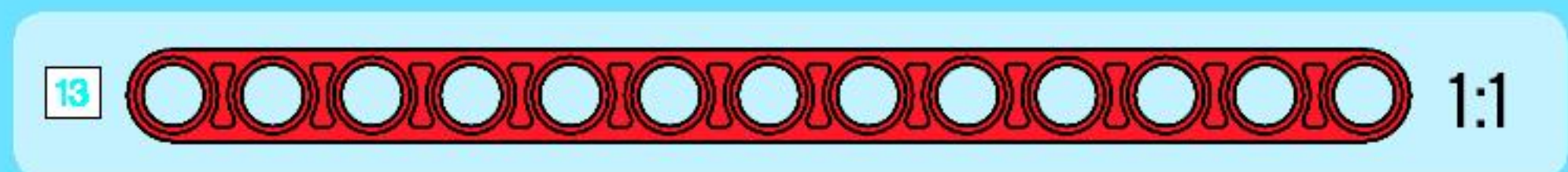
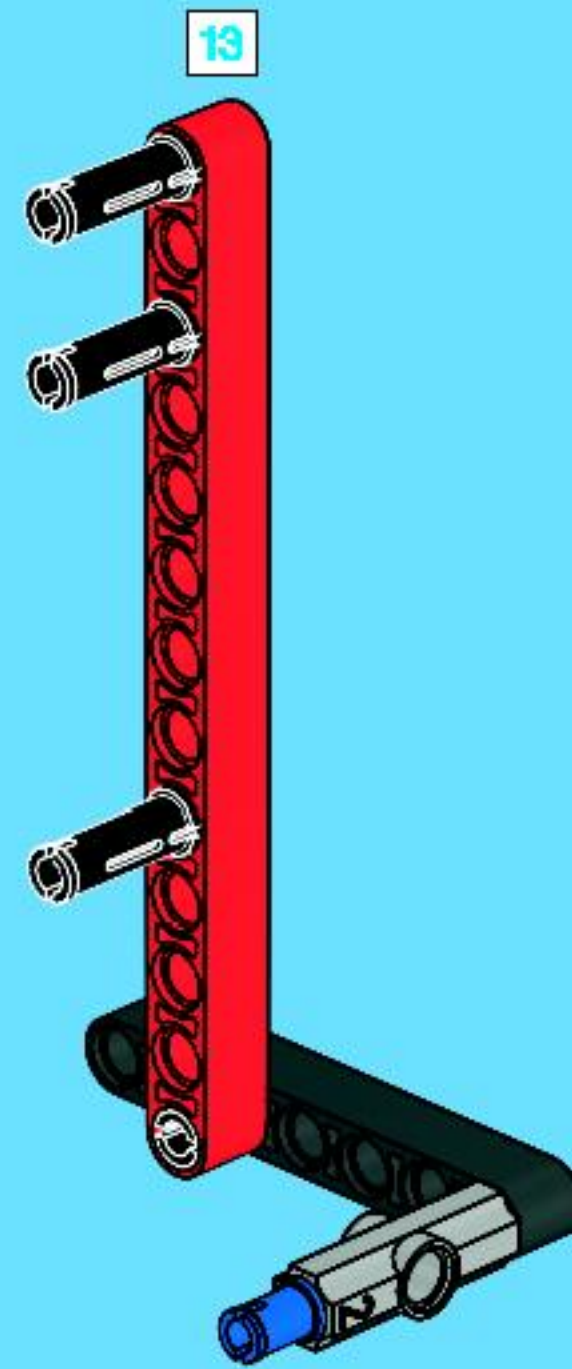
1

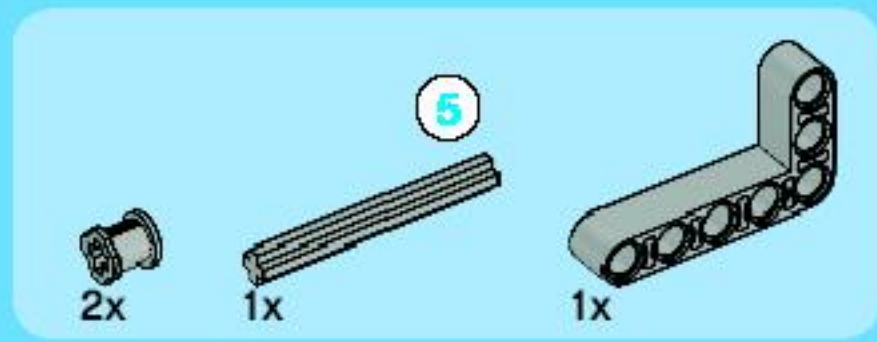


2

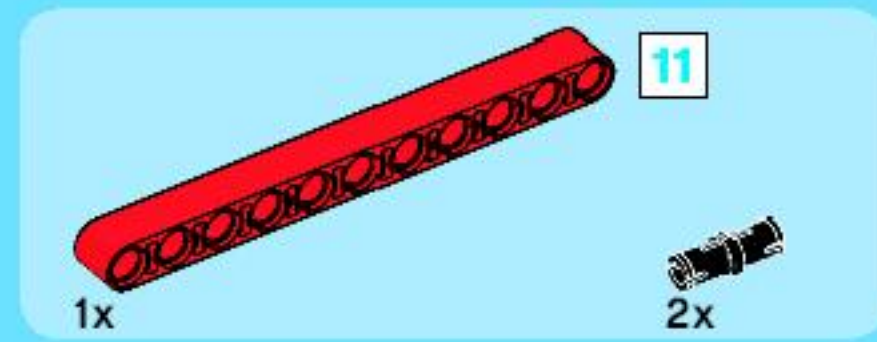
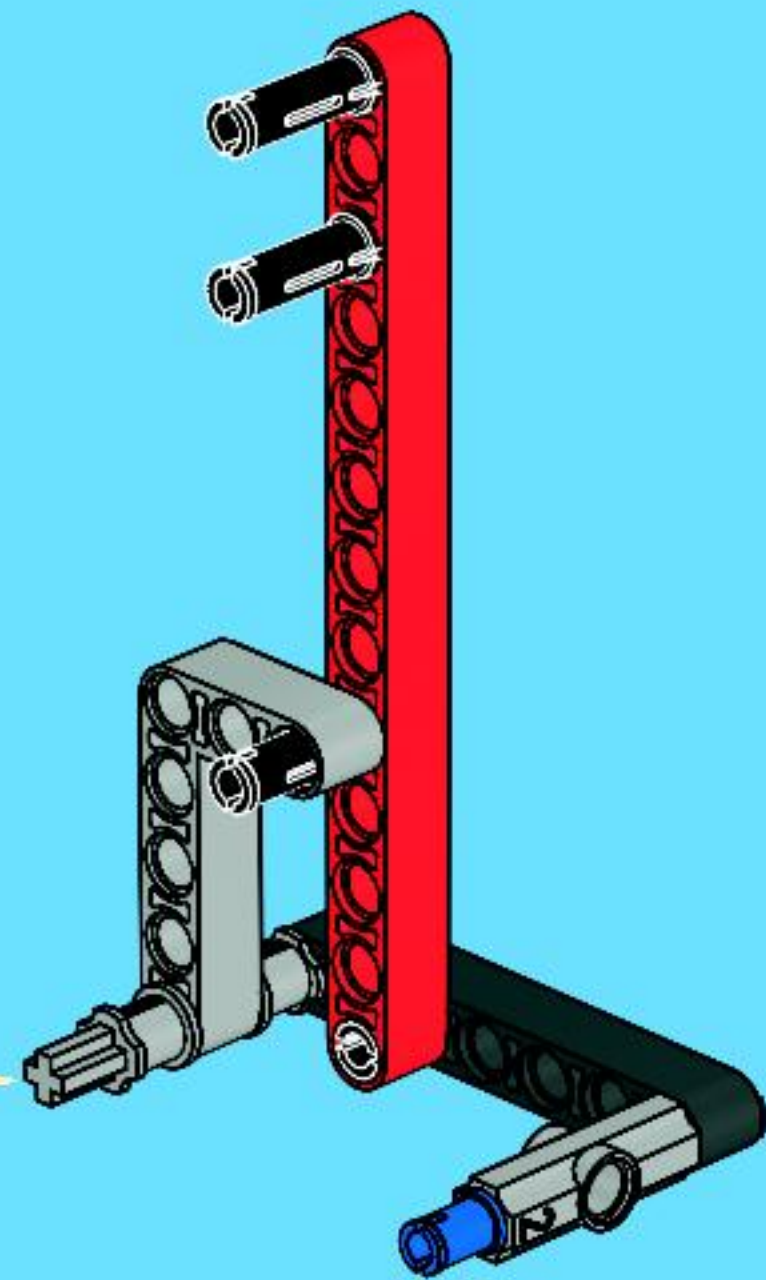
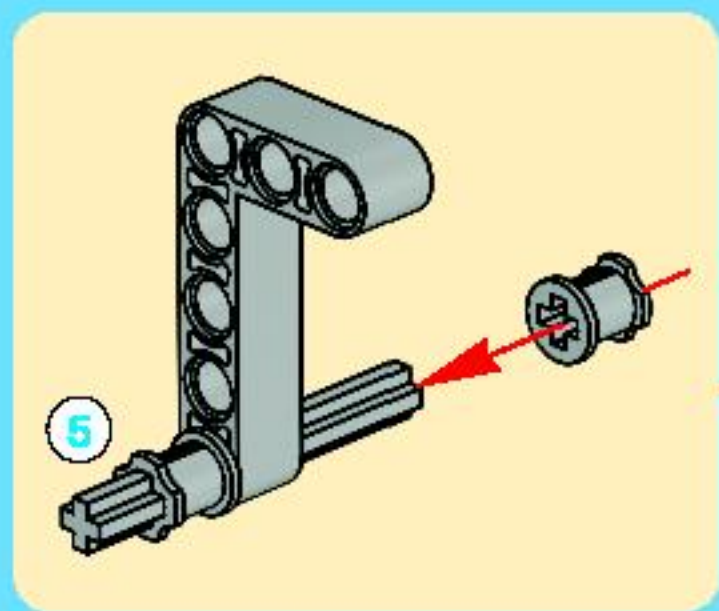


3

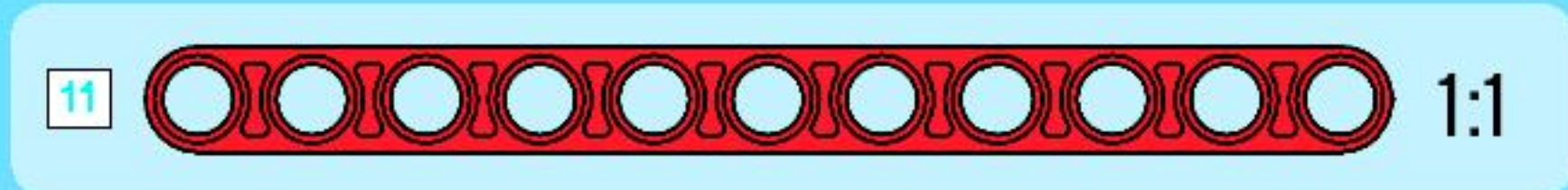
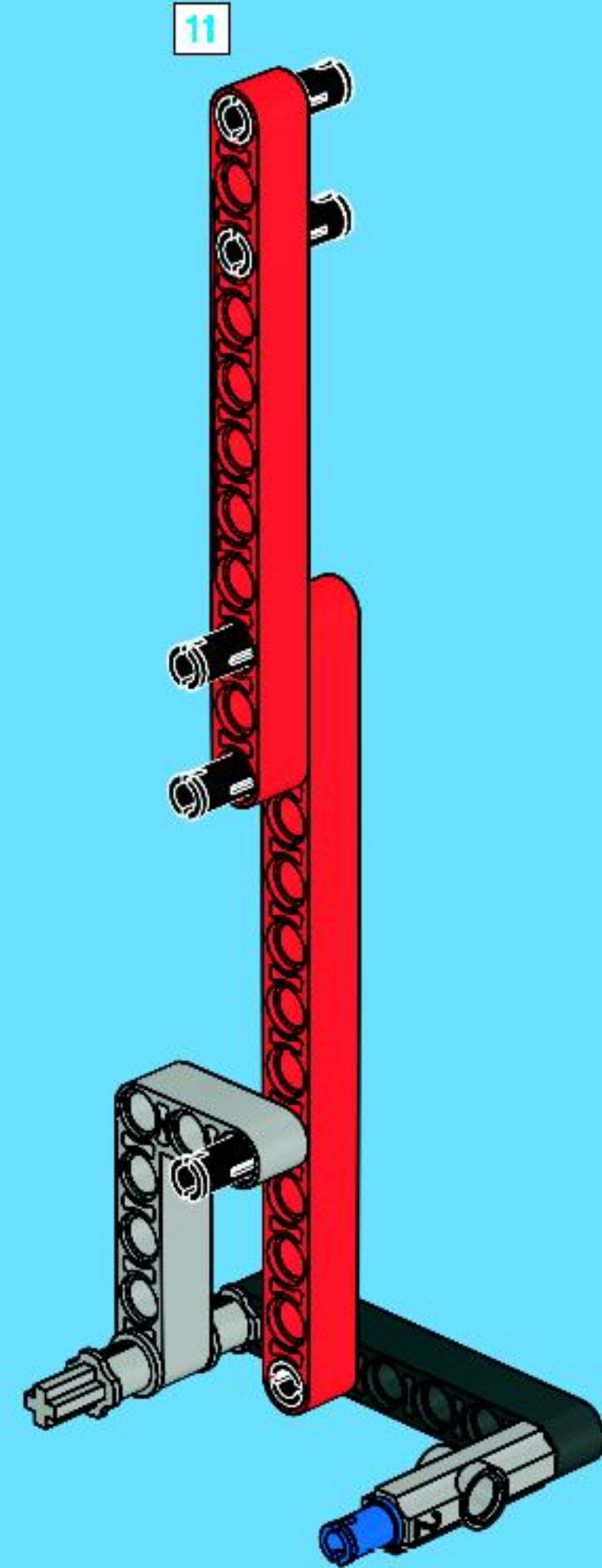


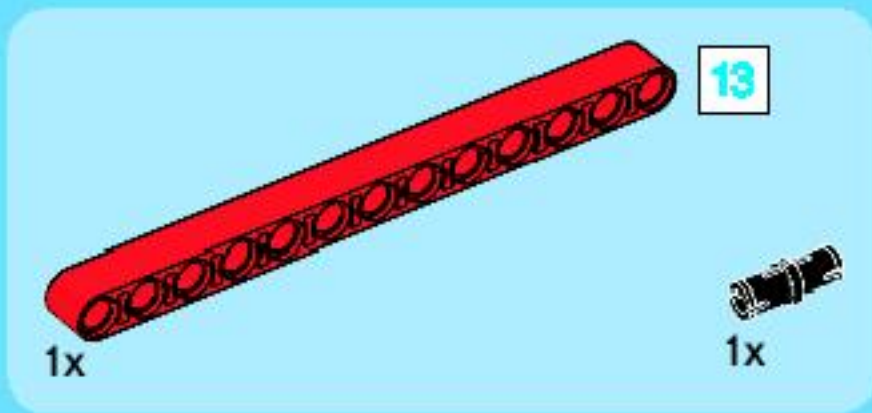


4

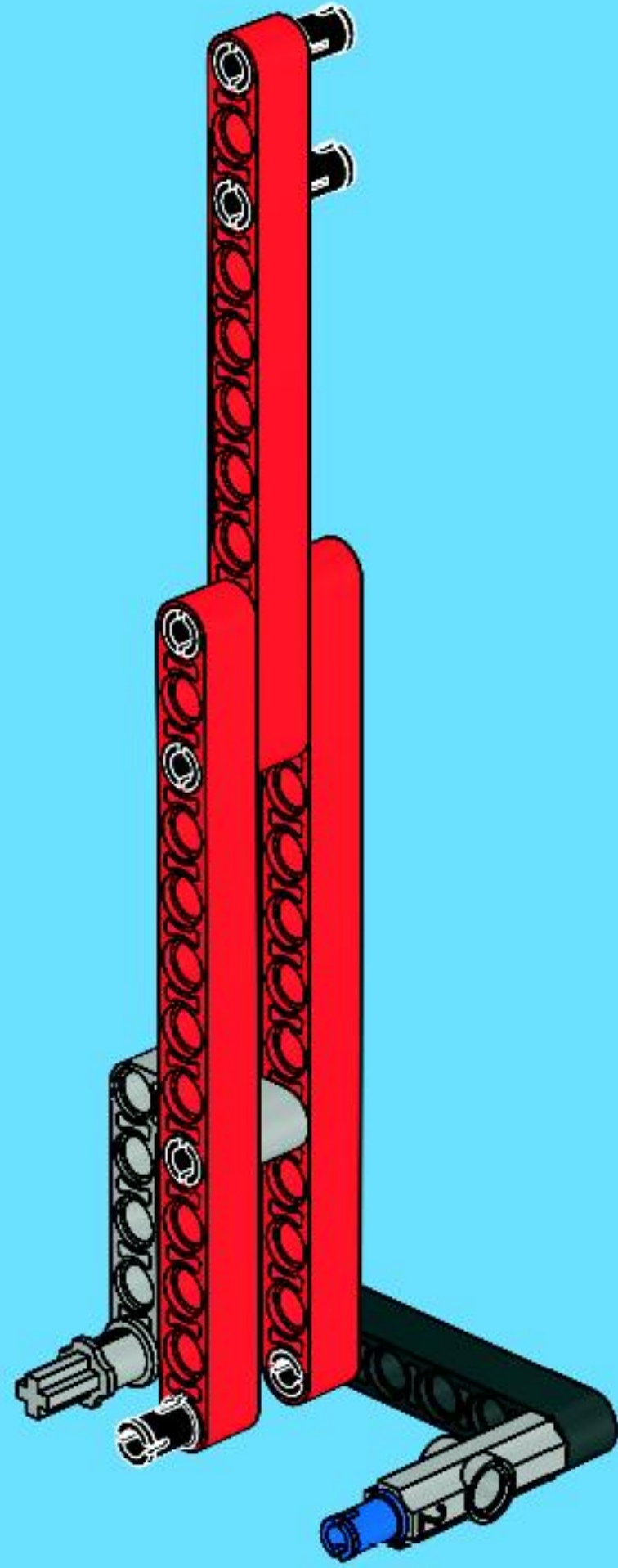


5

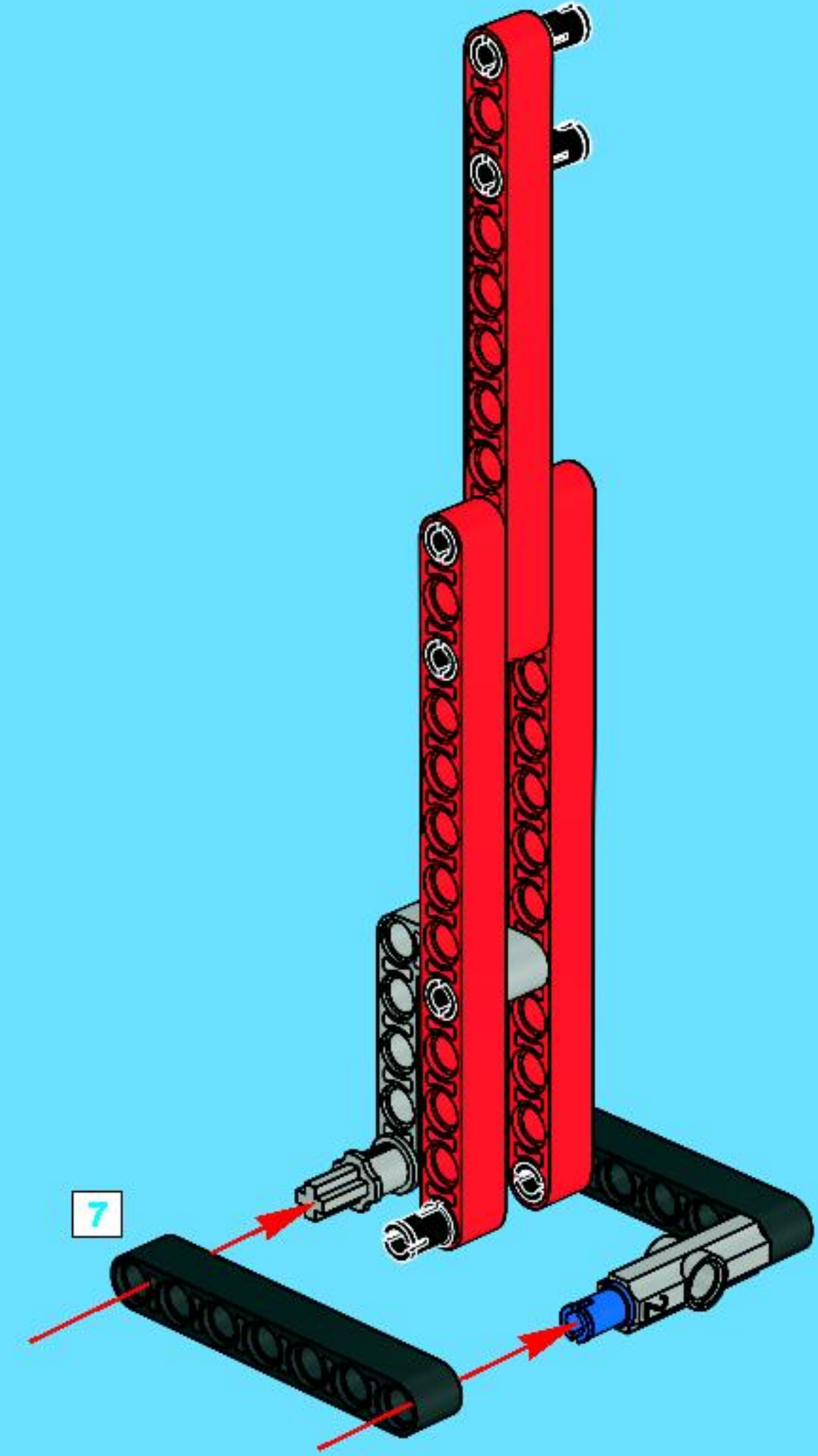


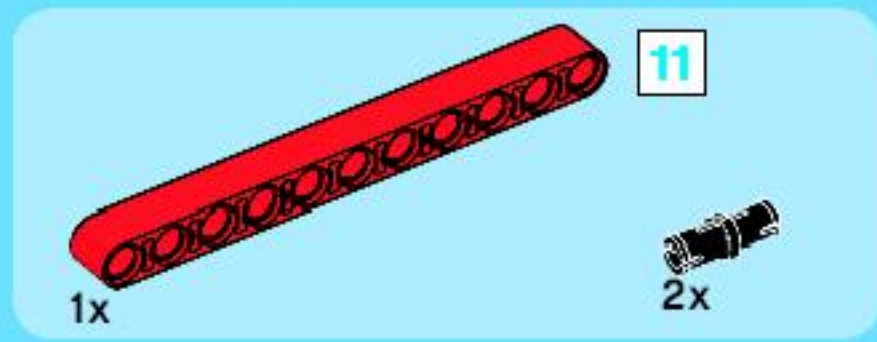


6

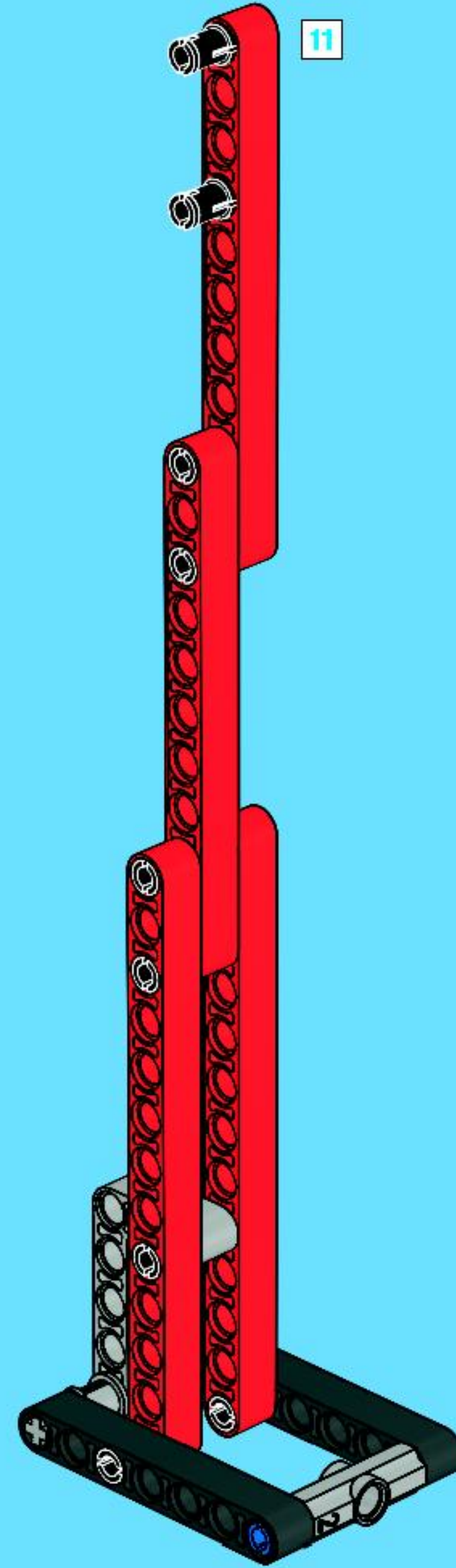


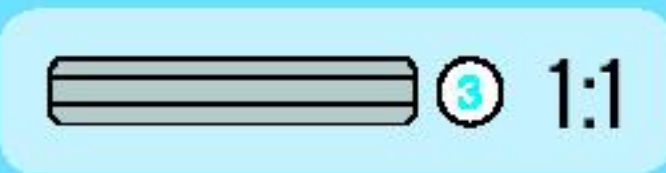
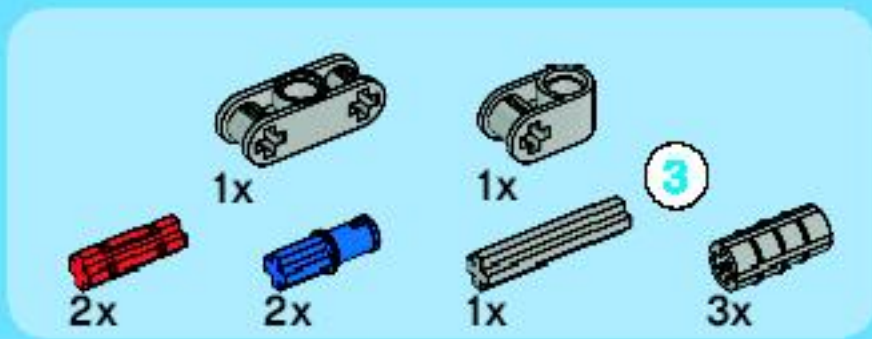
7



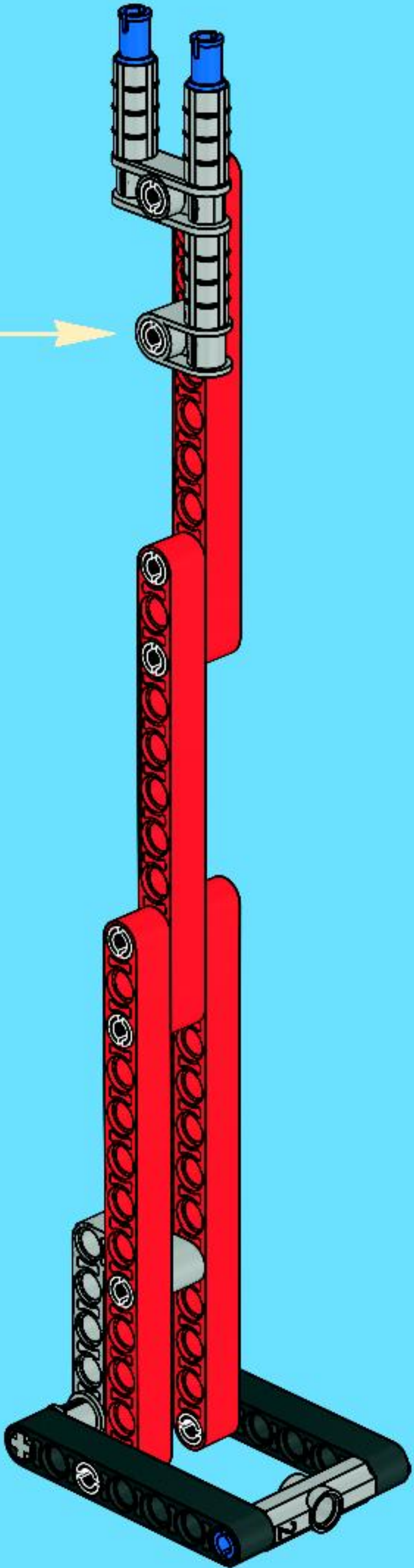
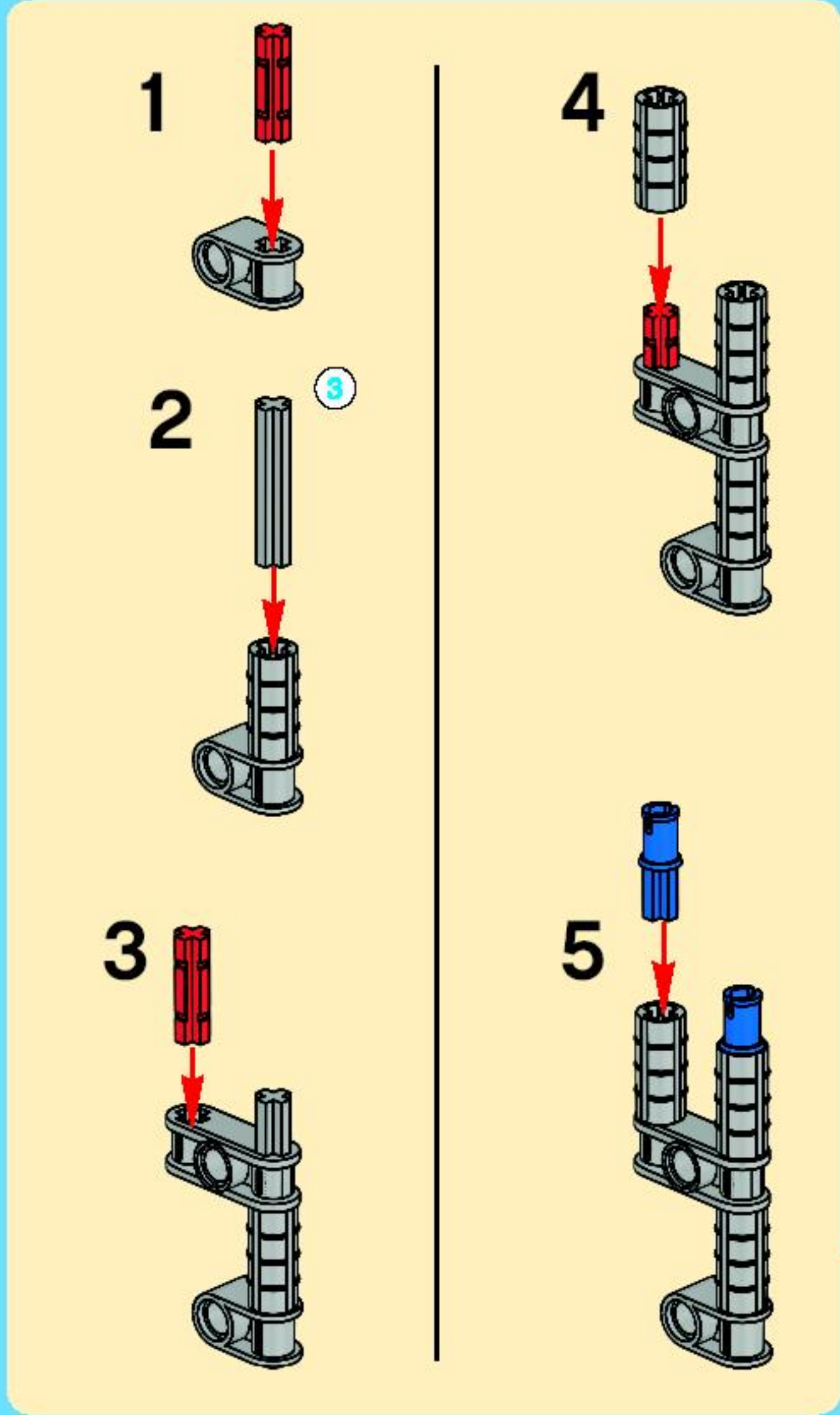


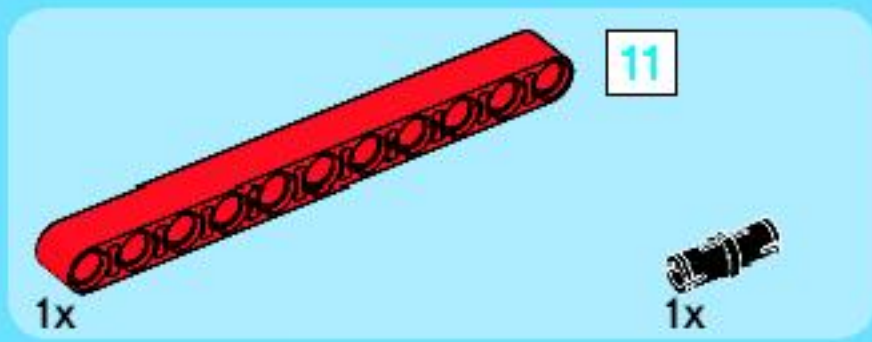
8



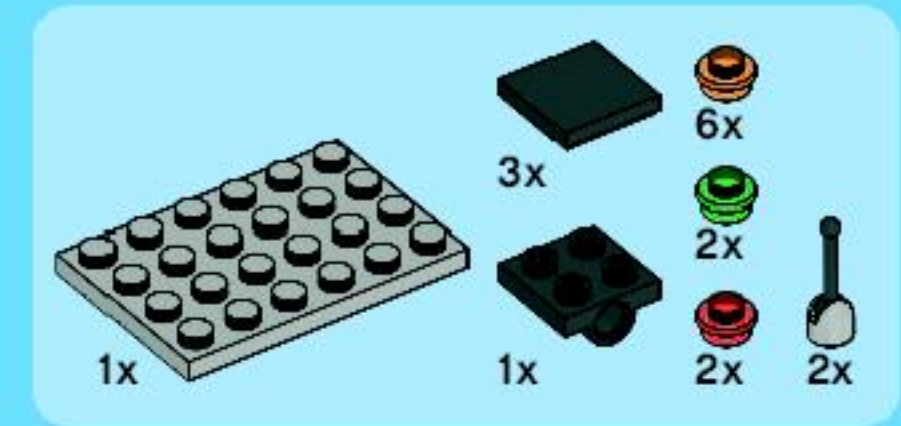
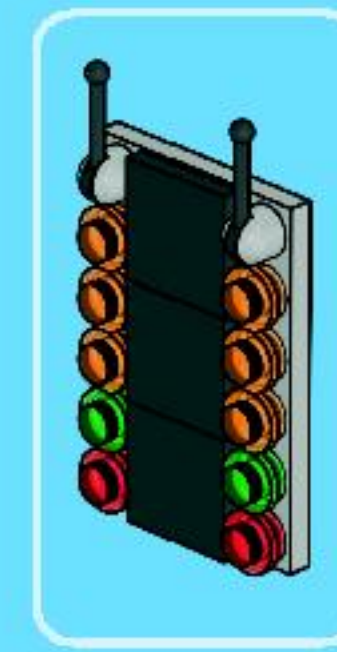
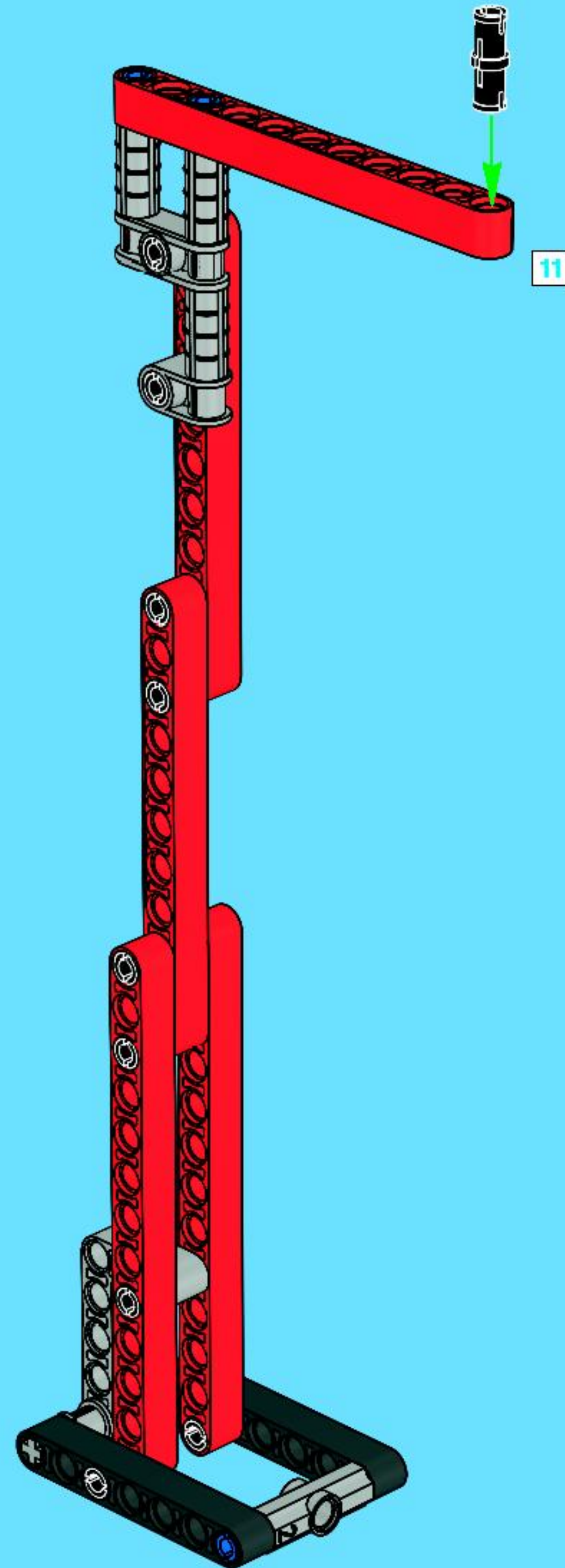


9



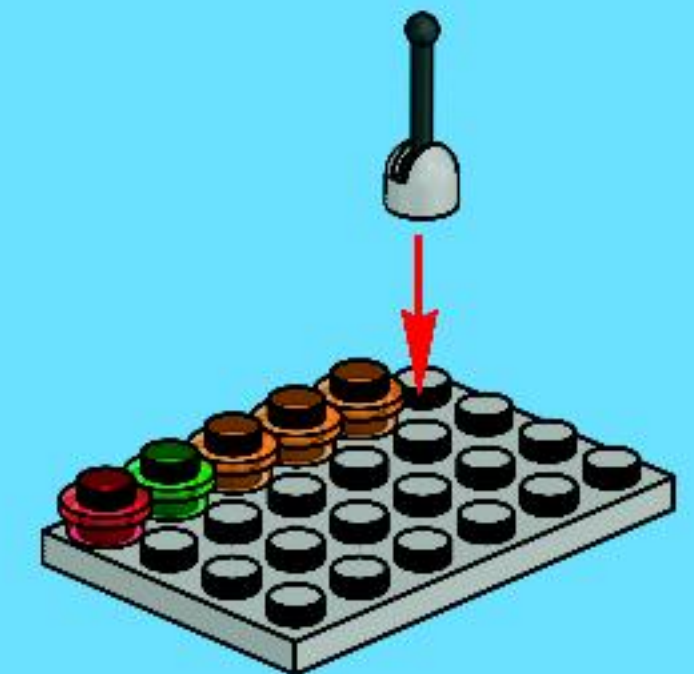


10

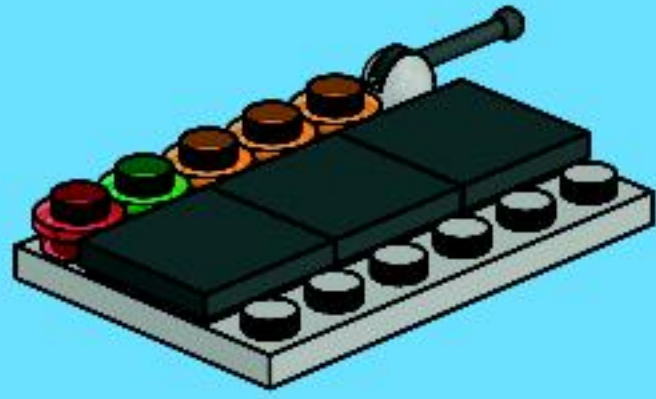


11

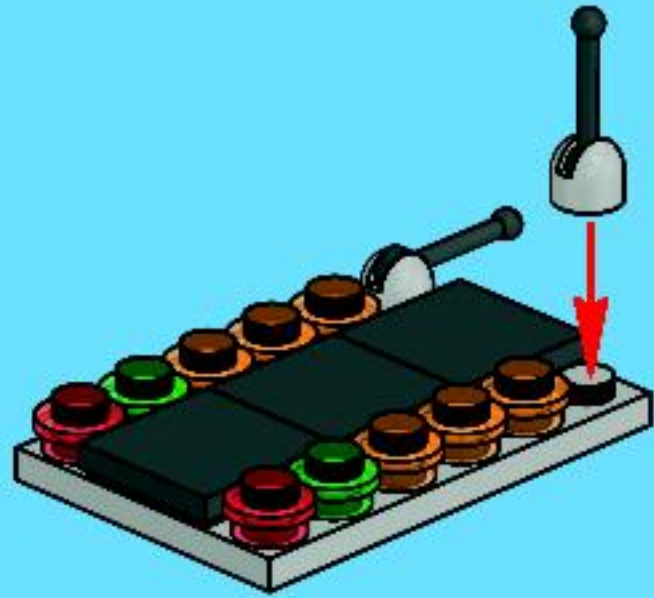
1



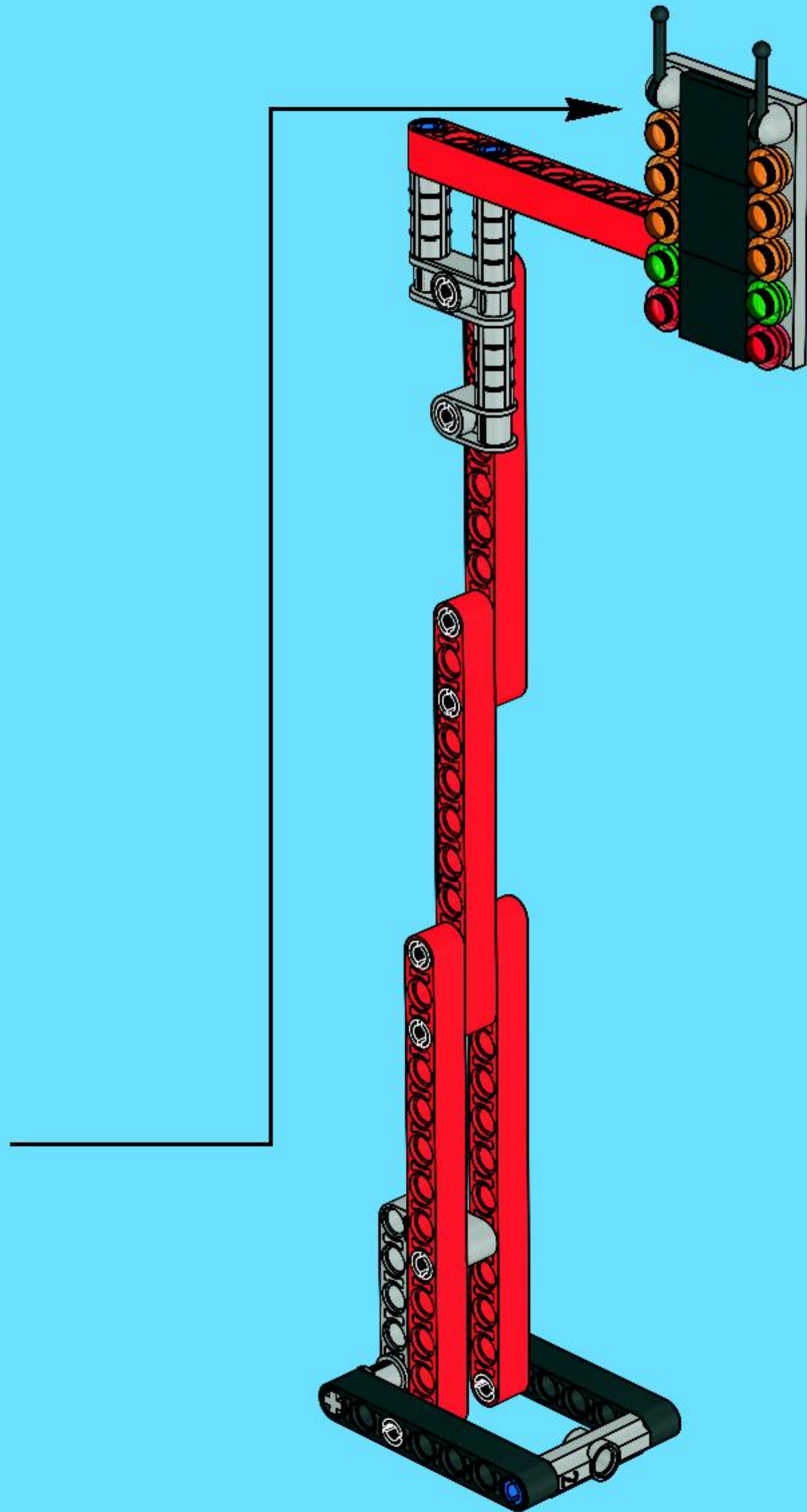
2

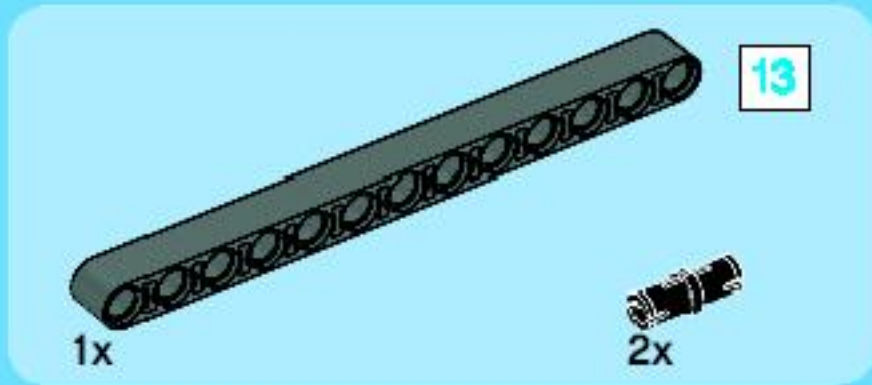
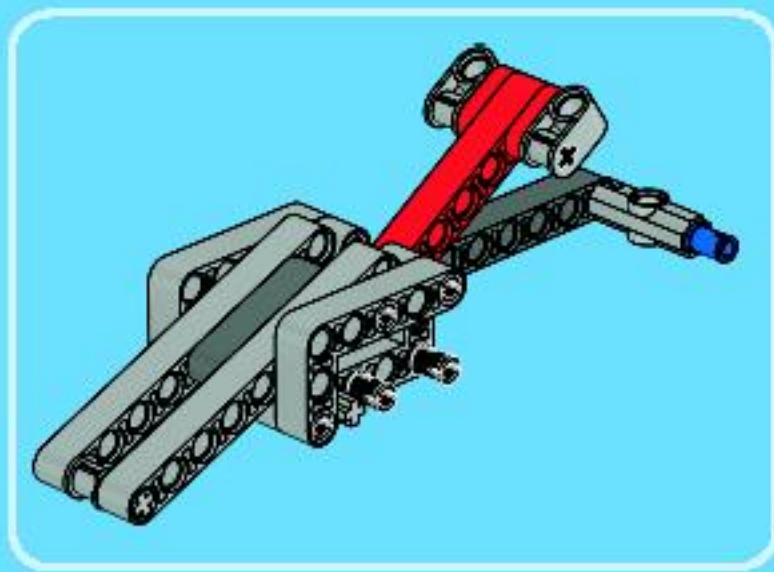


3

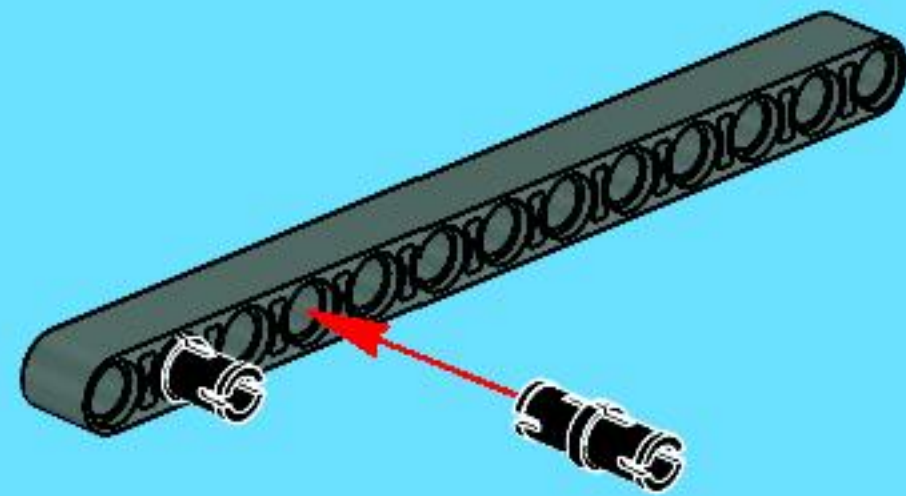


4

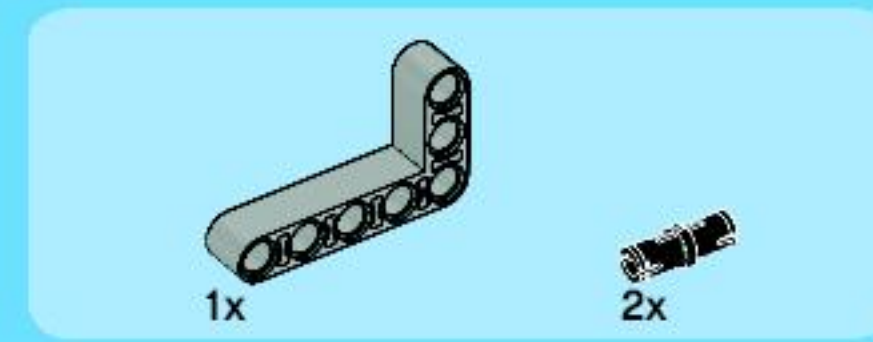
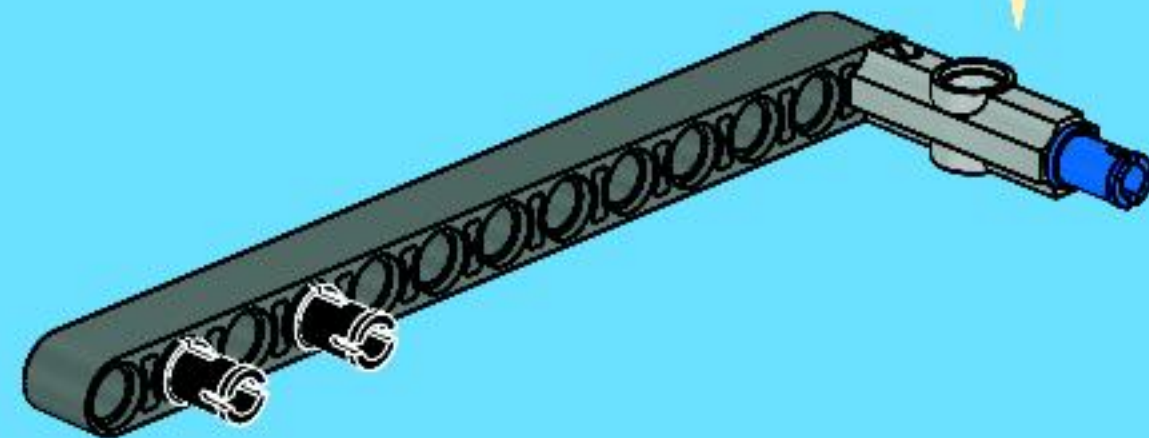
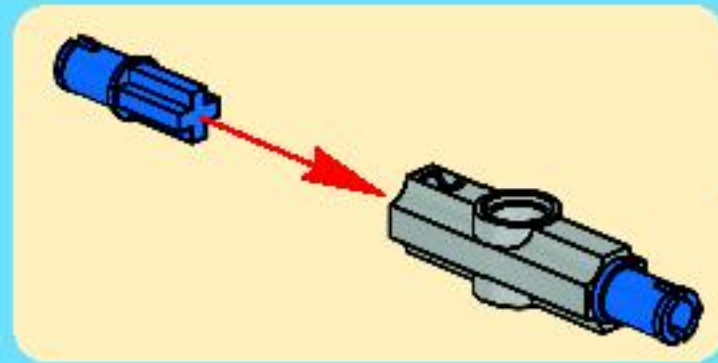




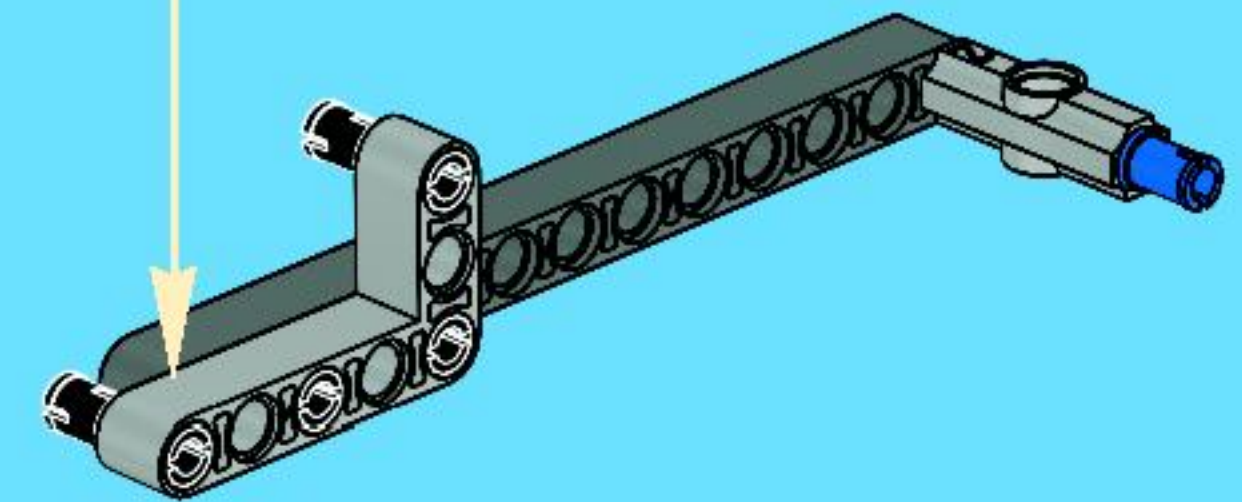
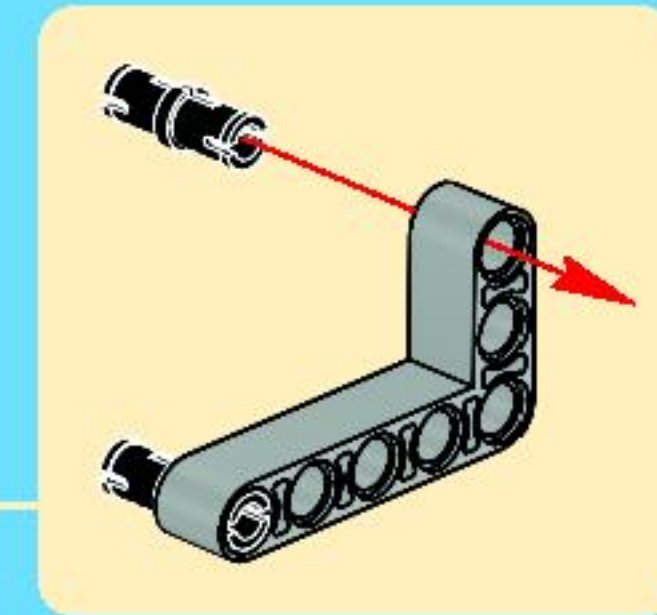
1

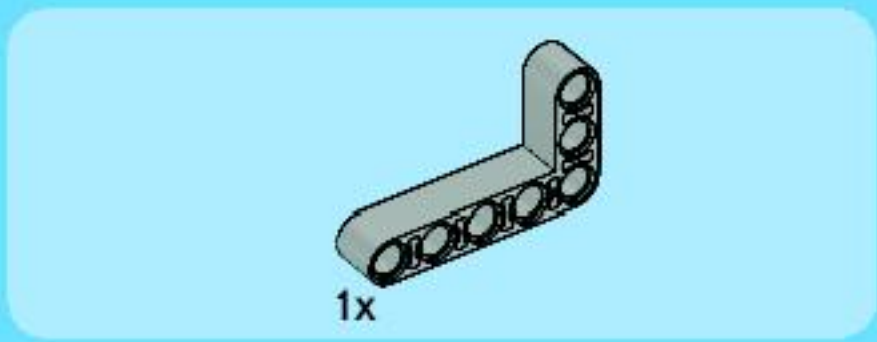


2

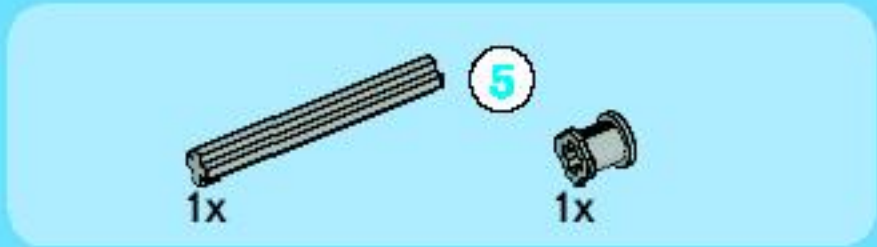
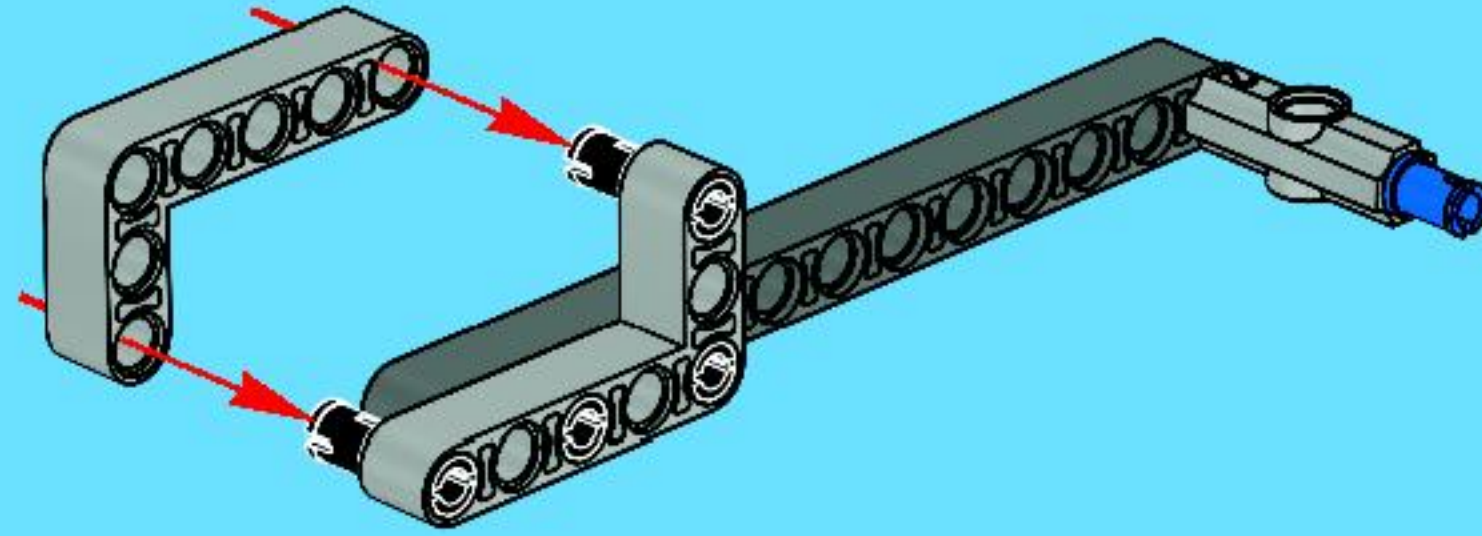


3

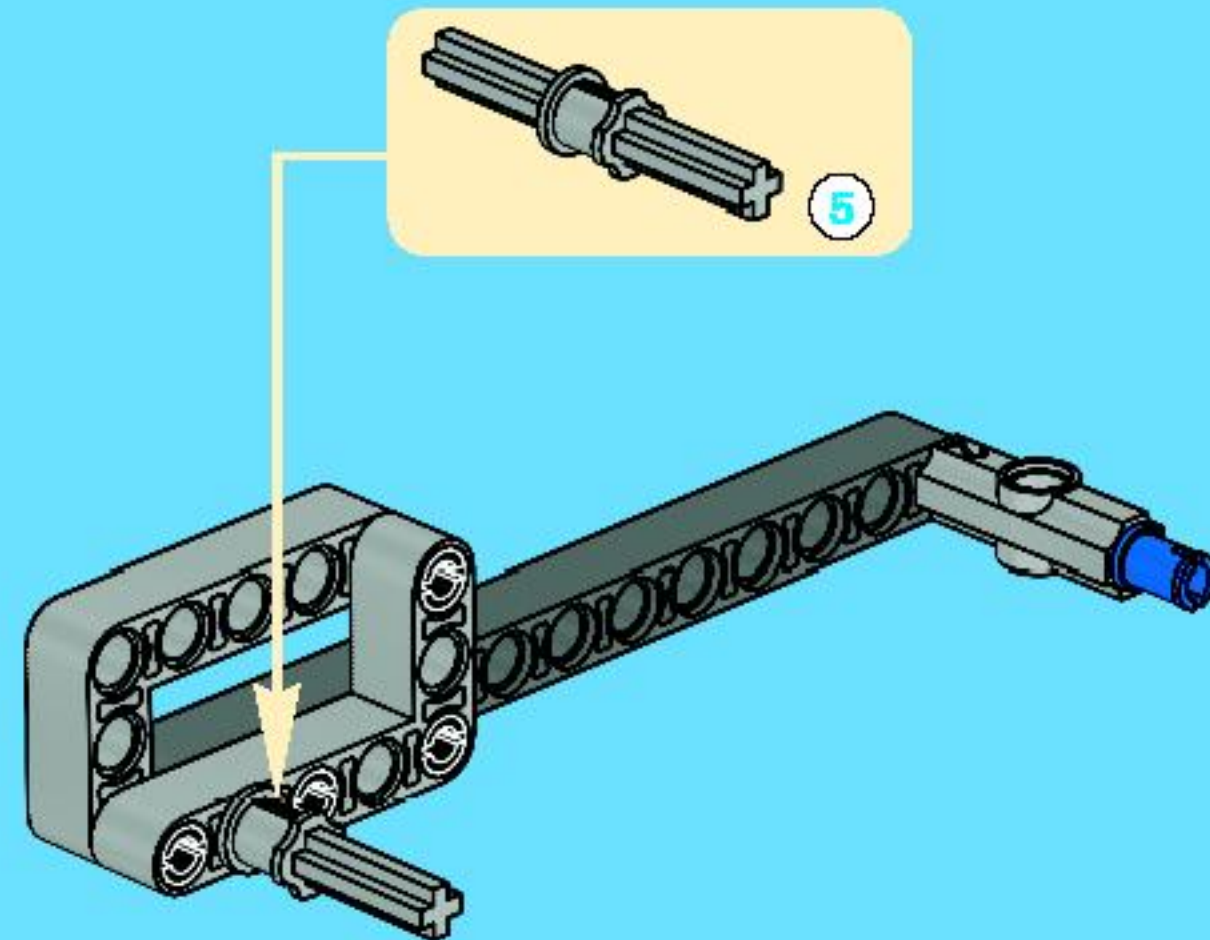


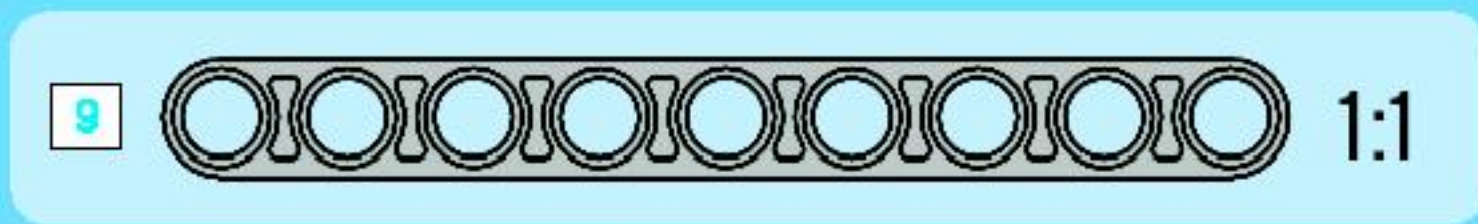
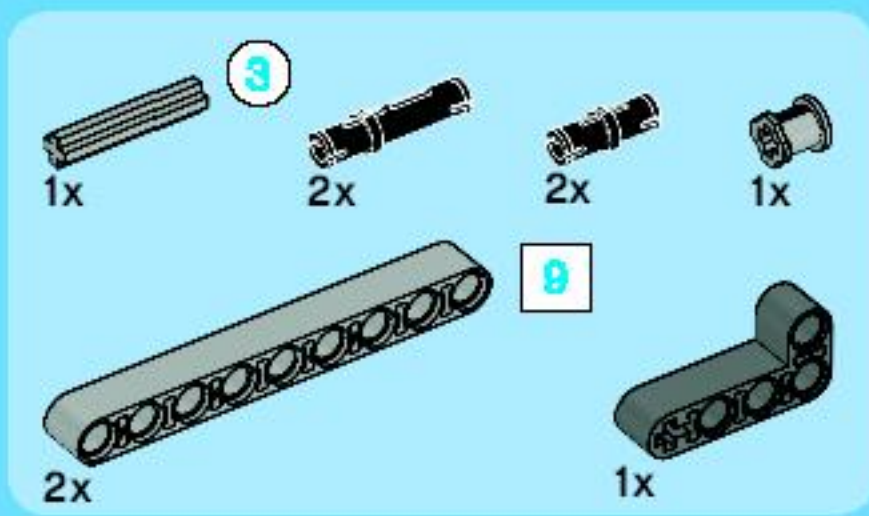


4

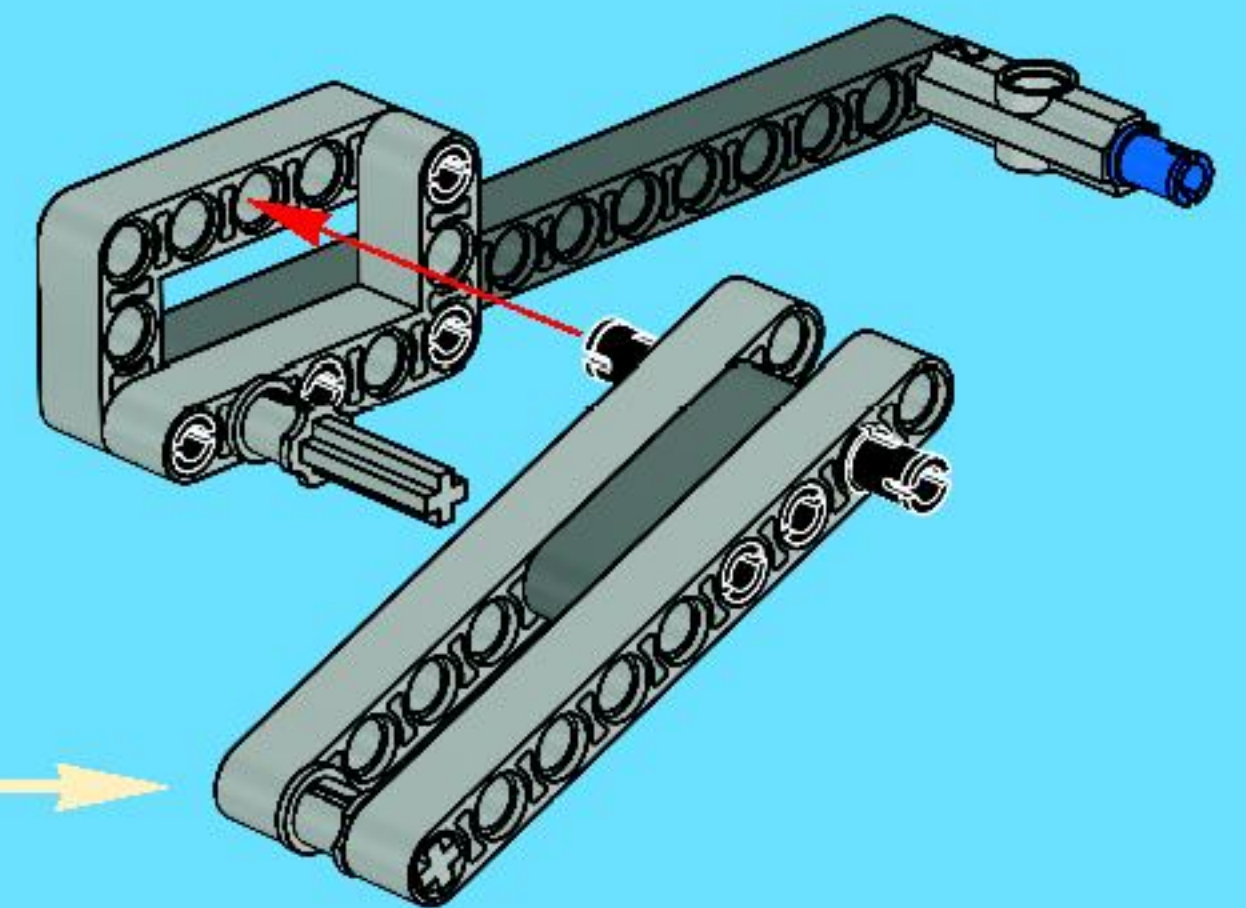
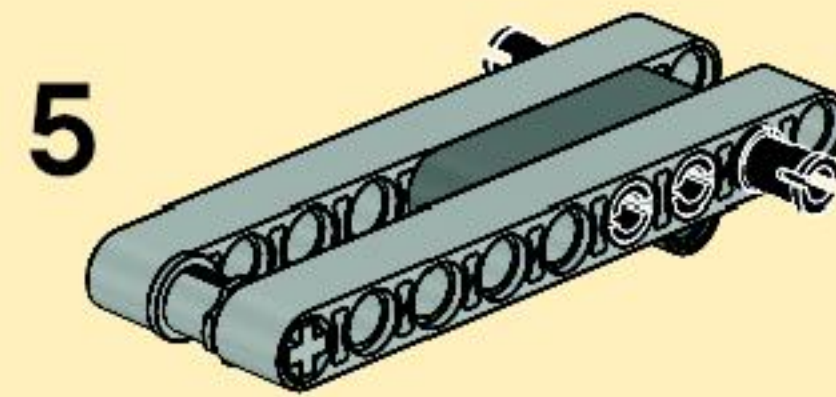
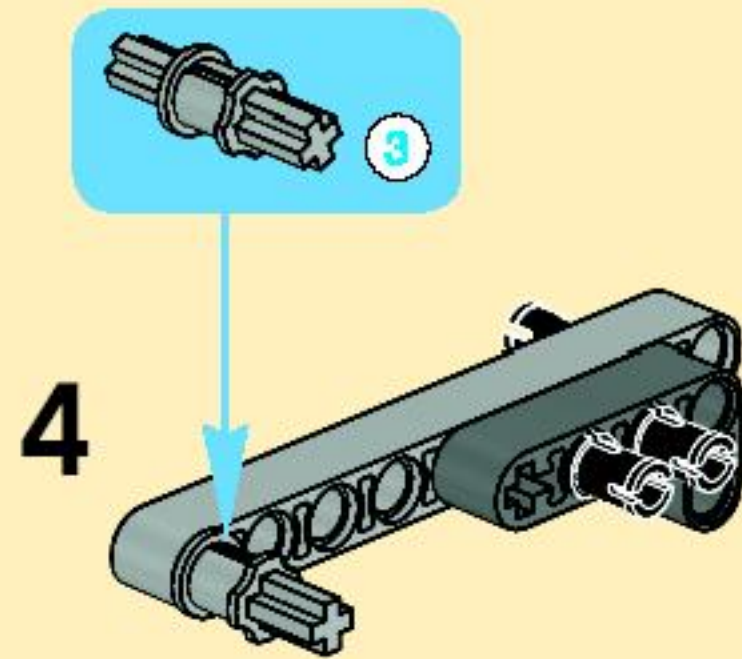
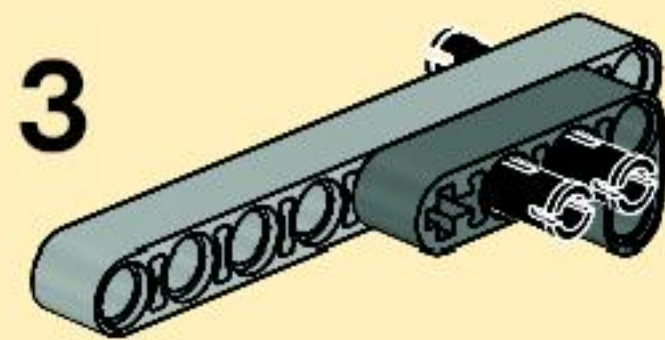
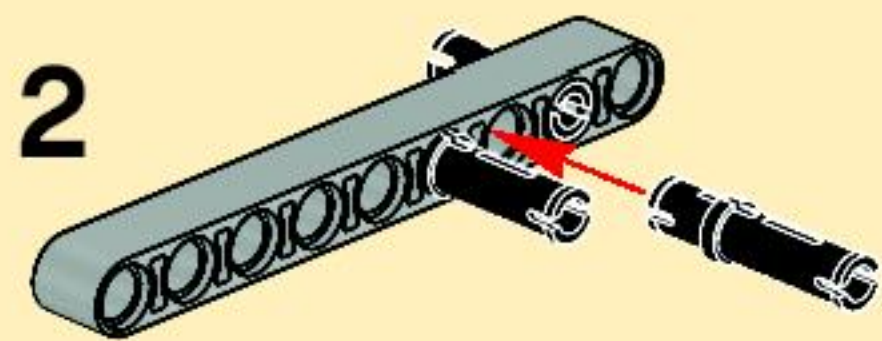
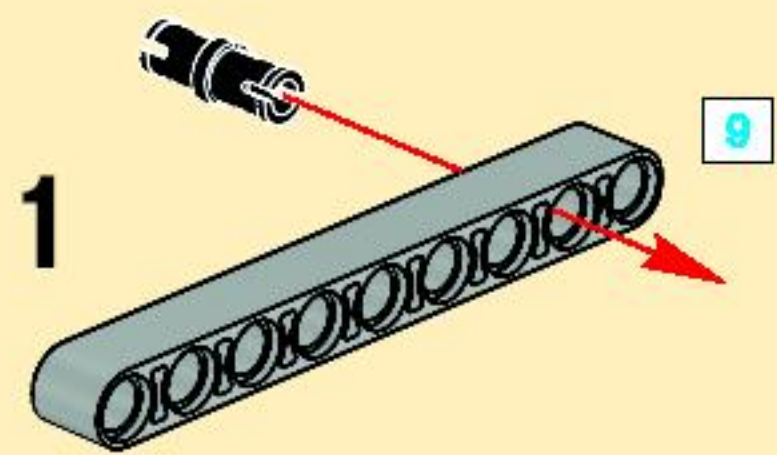


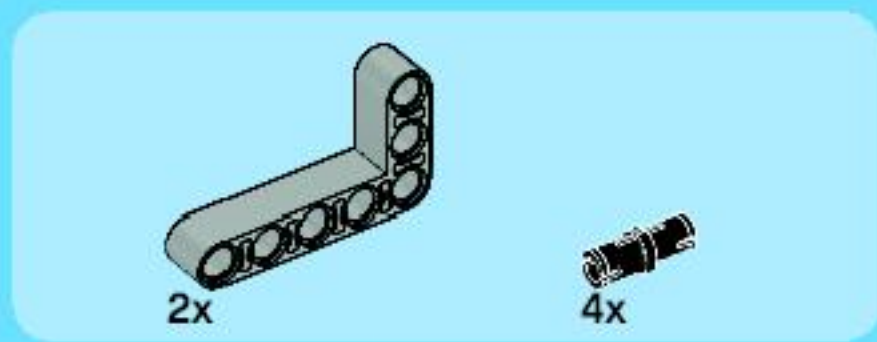
5



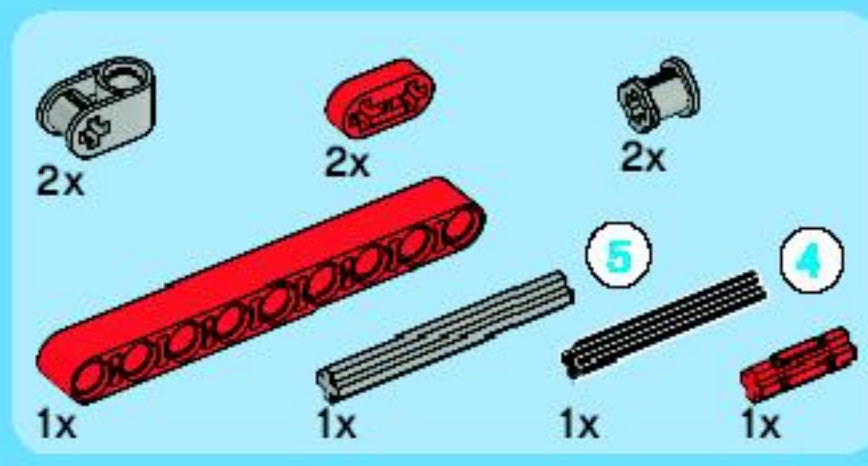
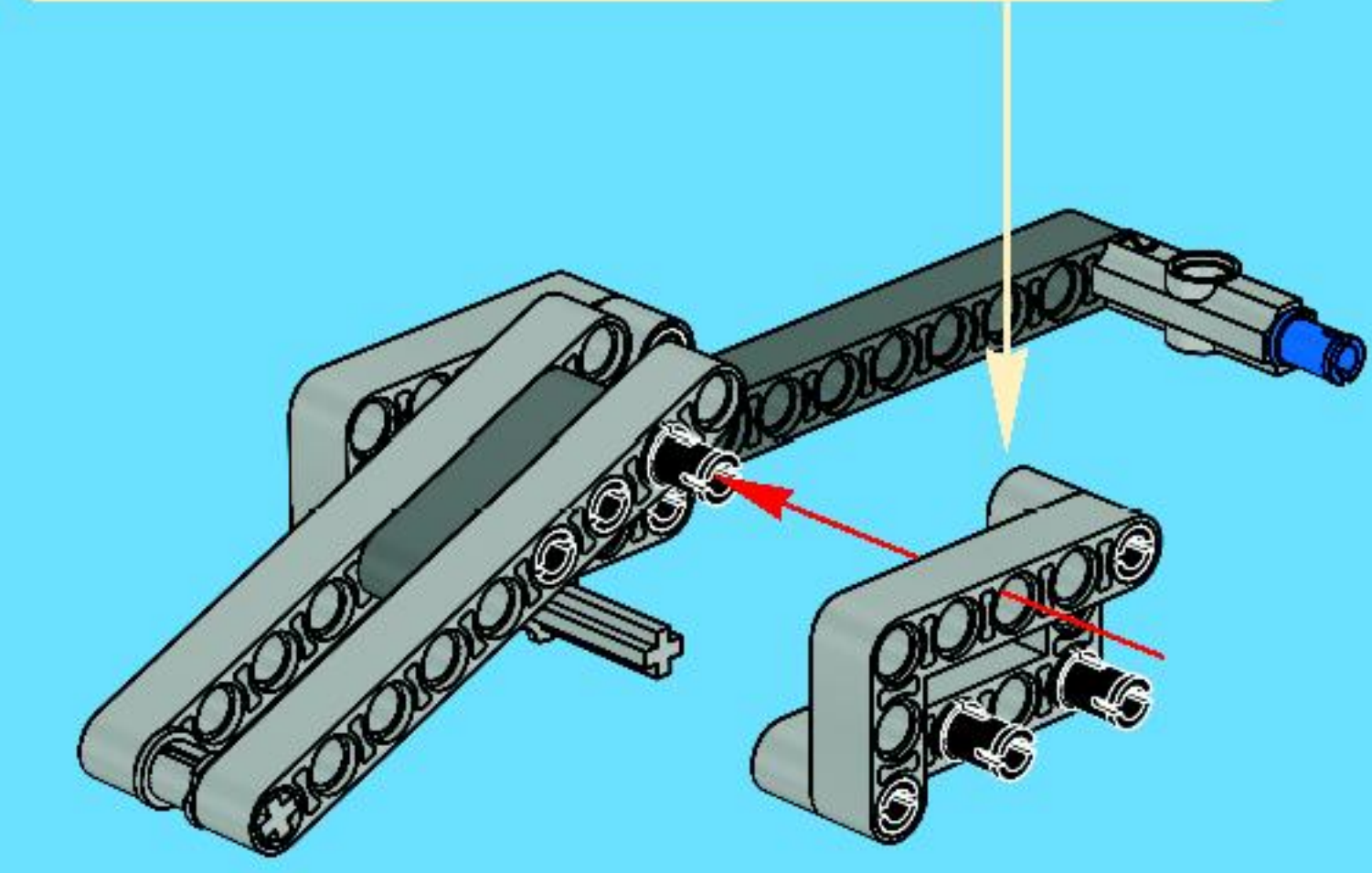
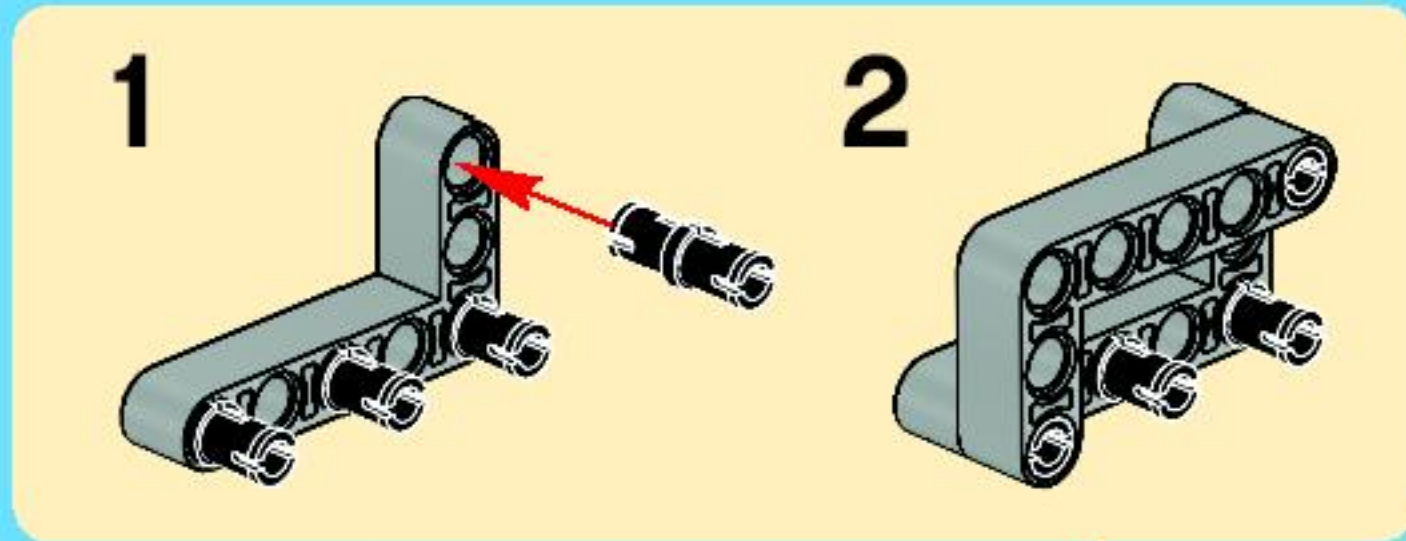


6

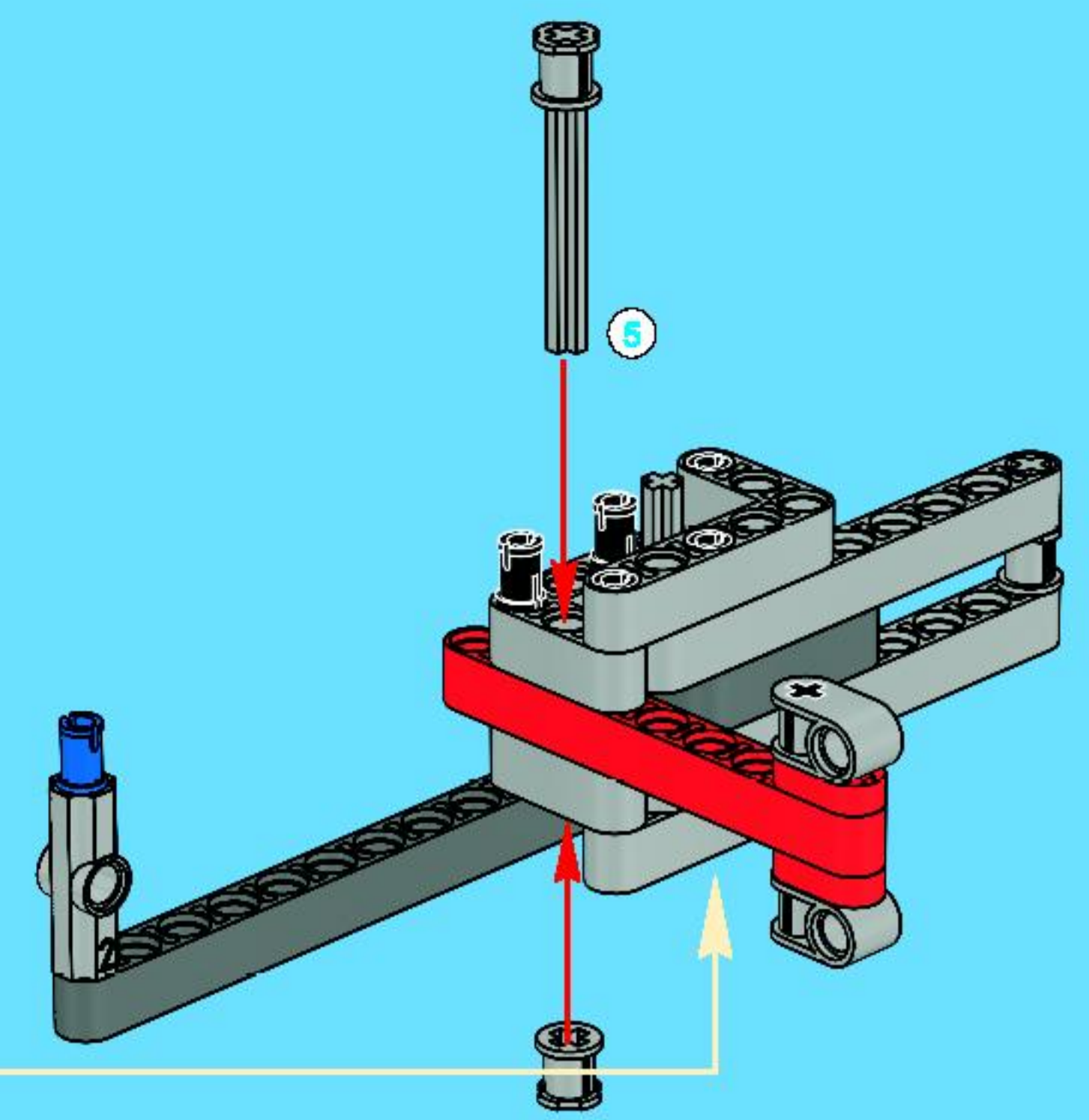
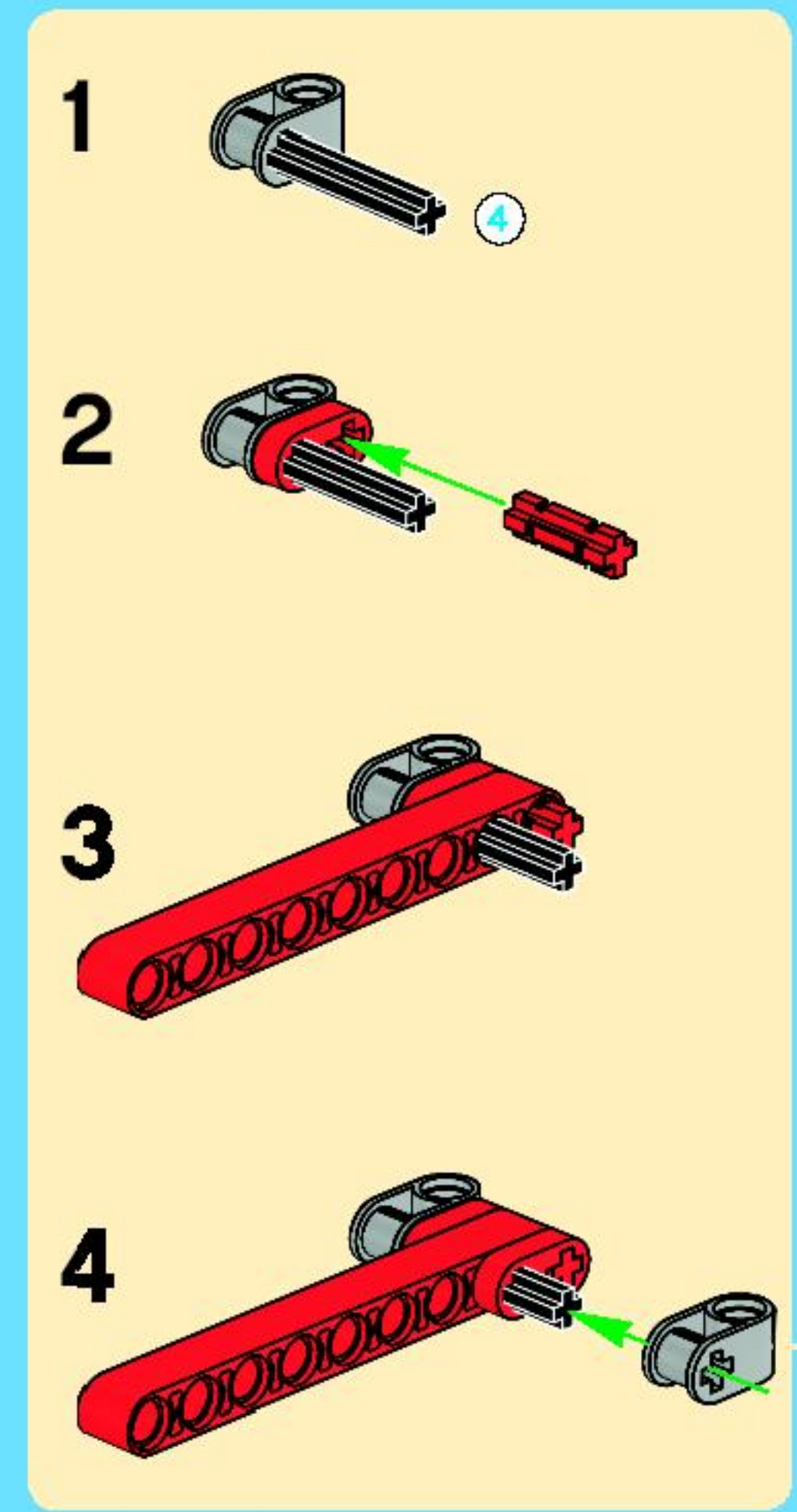
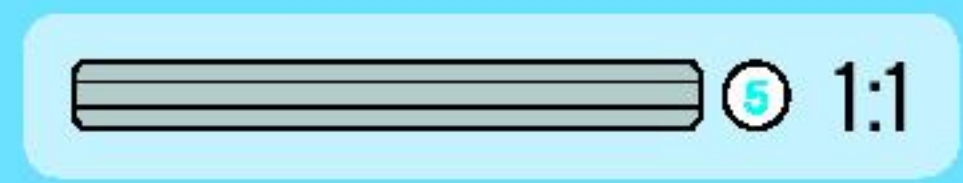


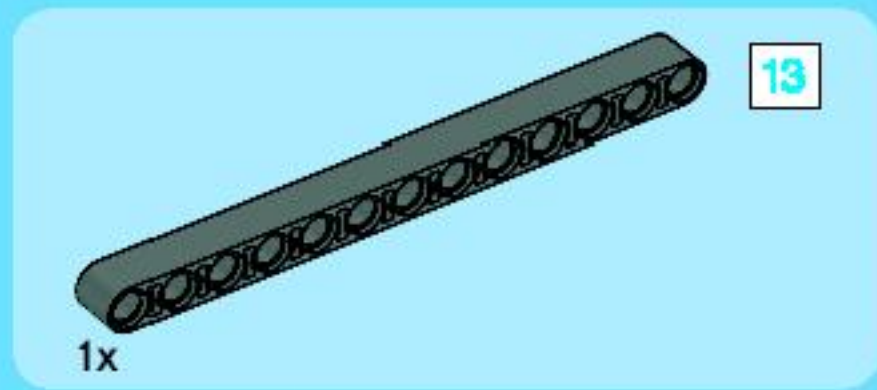


7

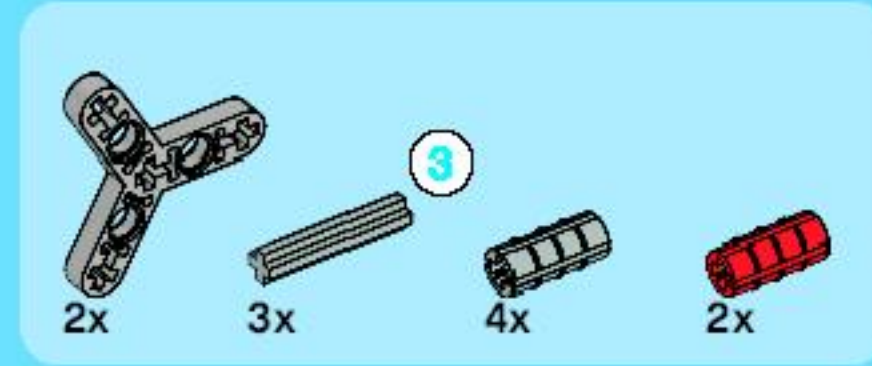
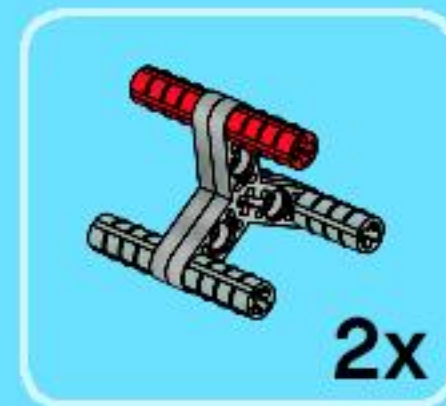
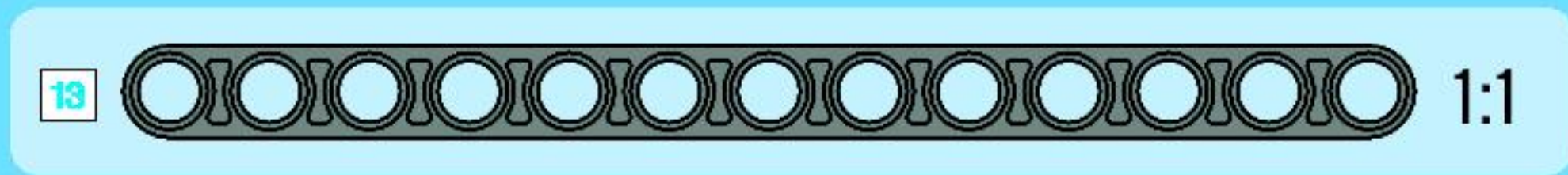
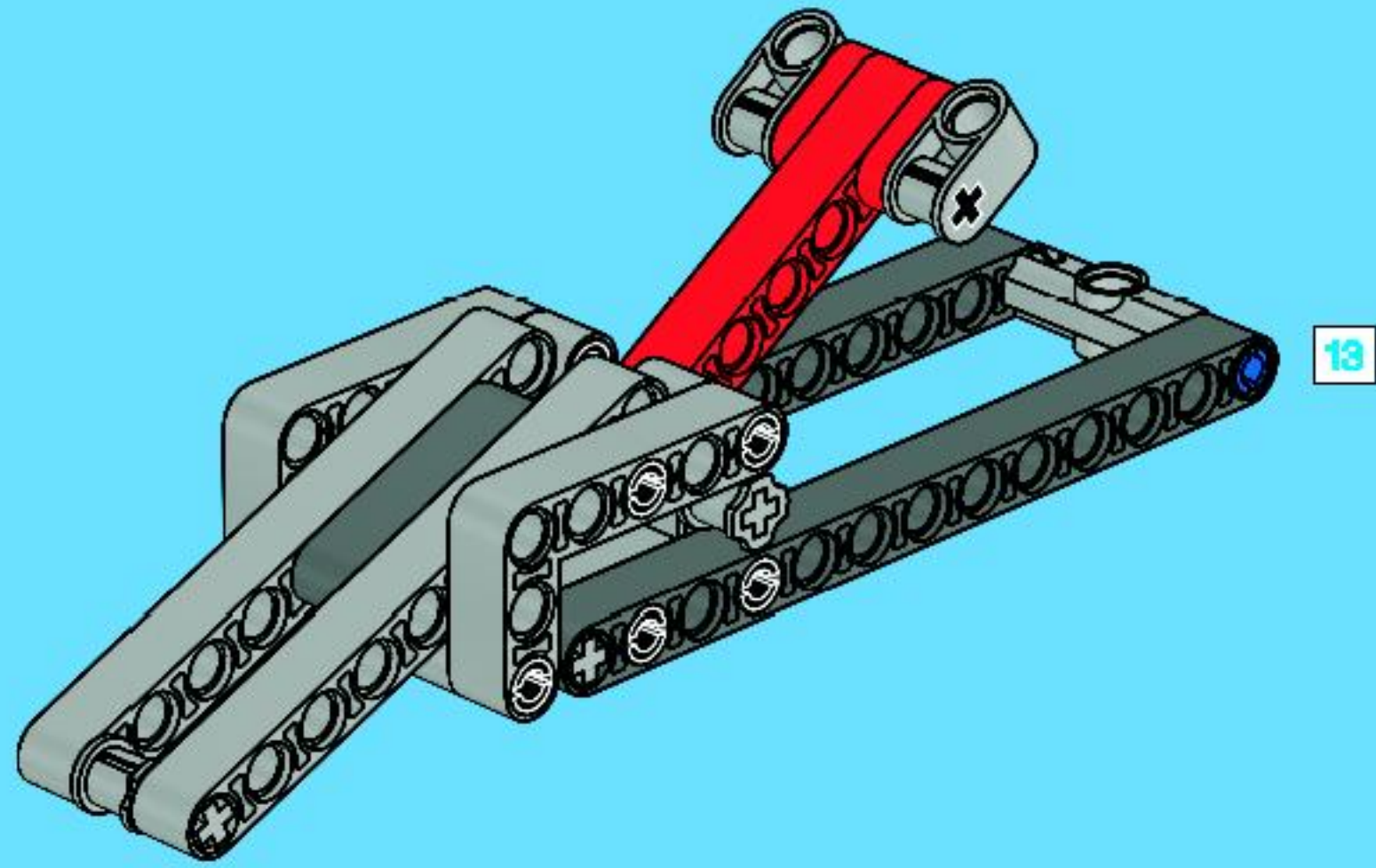


8

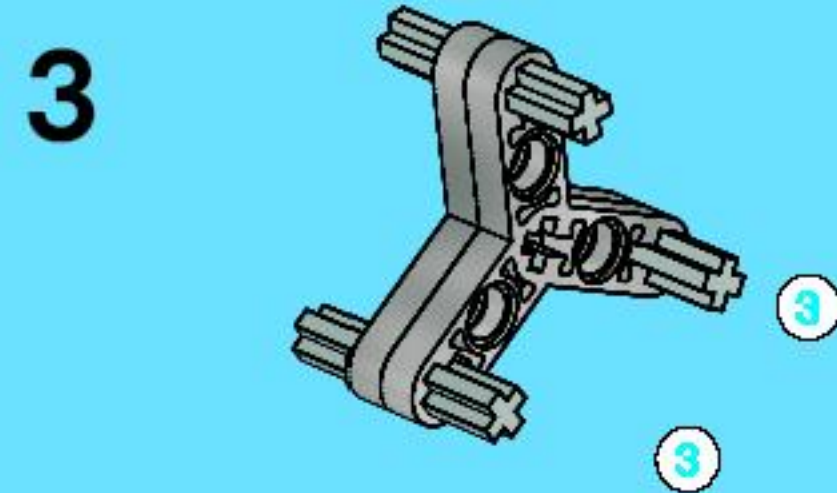
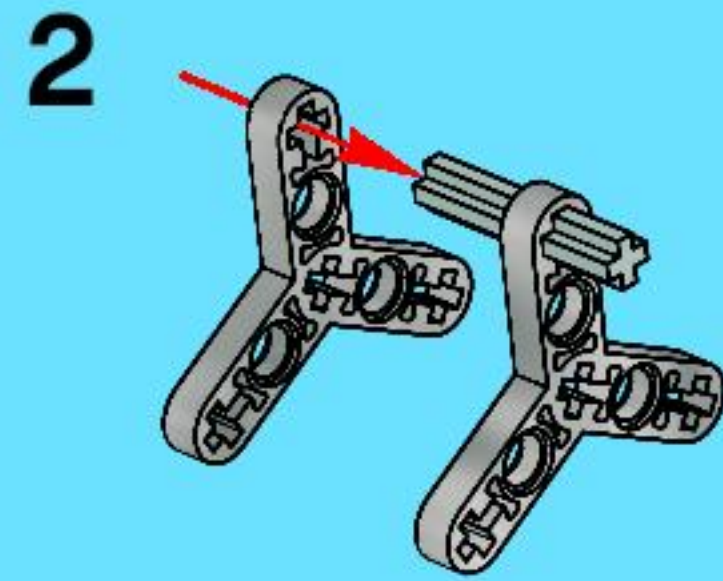
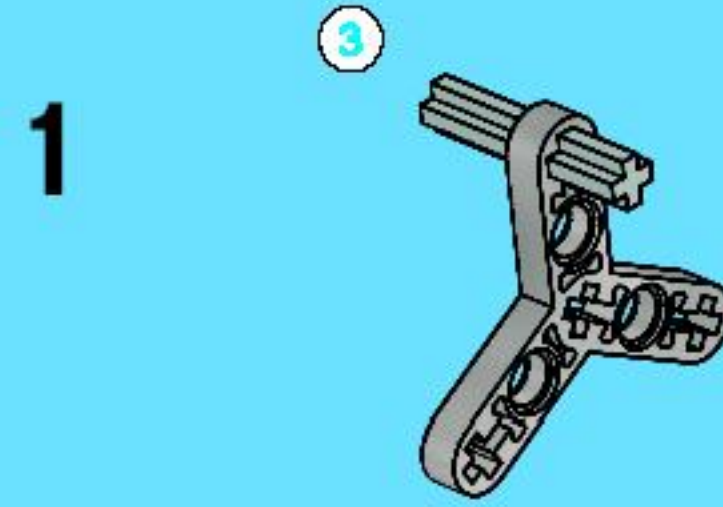




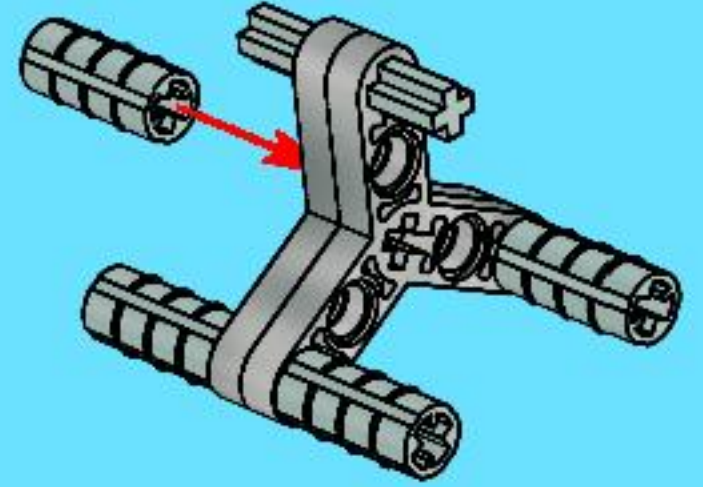
9



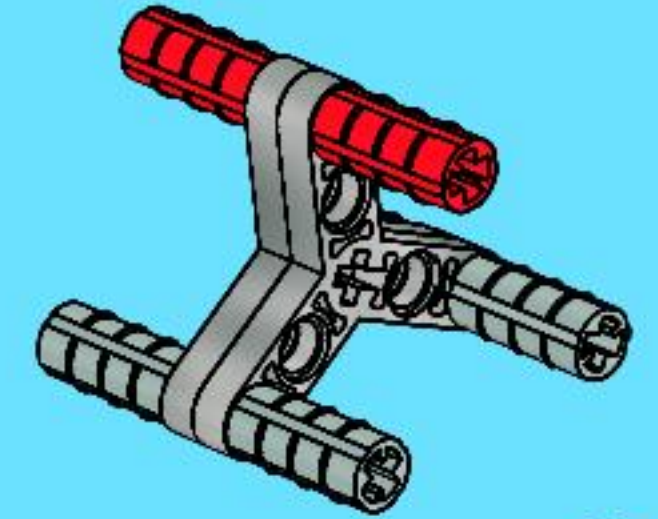
1



4



5



2x



8272



8271



8270



8273



©2007 The LEGO Group. 4525524