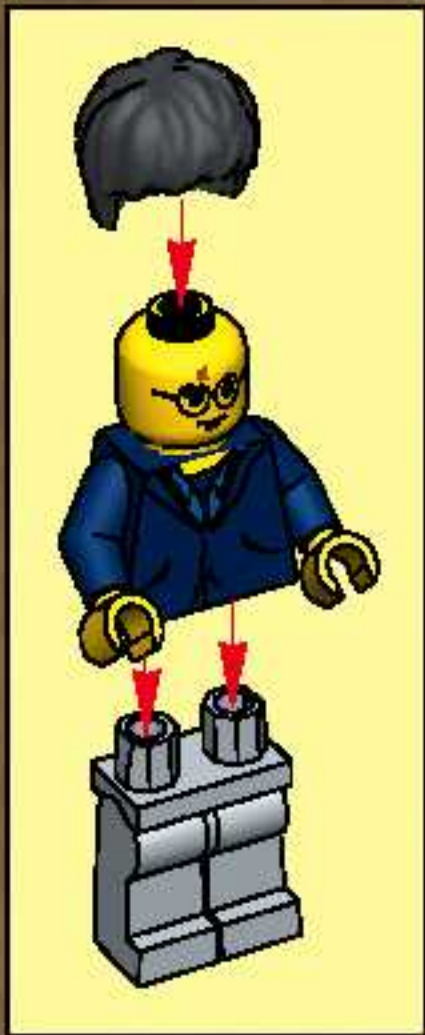


**LEGO**

Harry Potter

4727

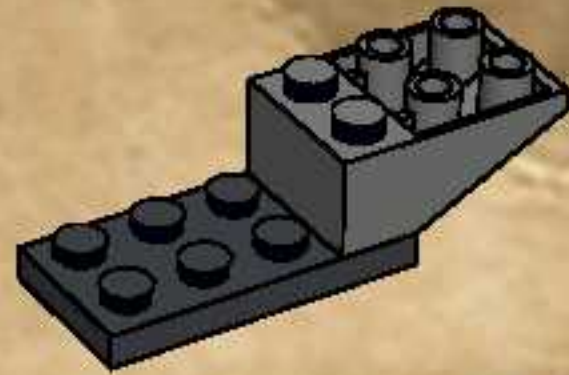




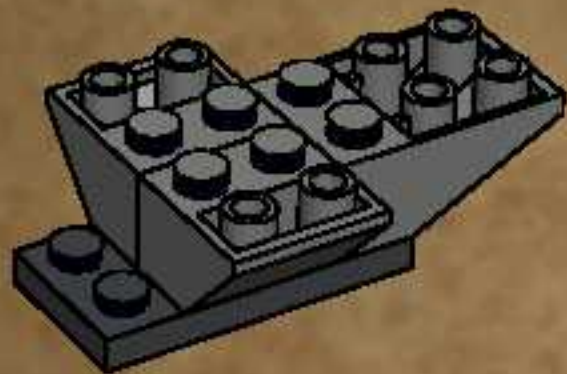
1



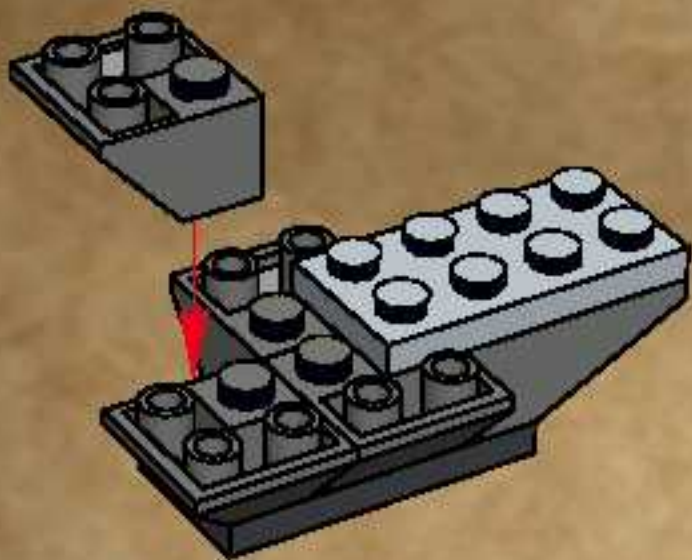
2



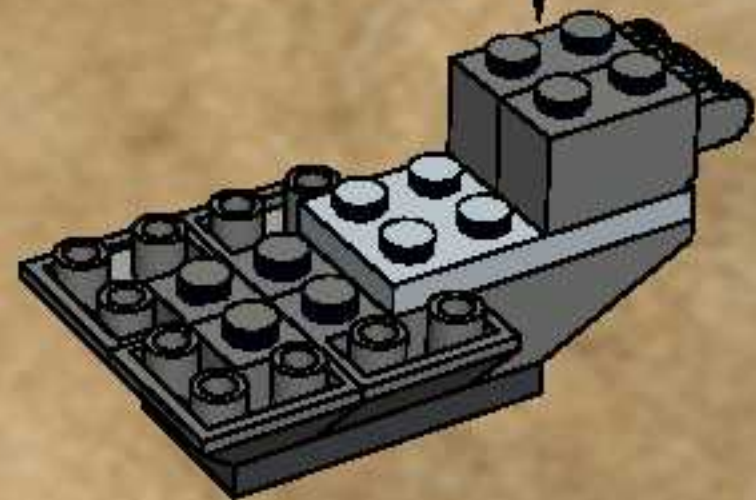
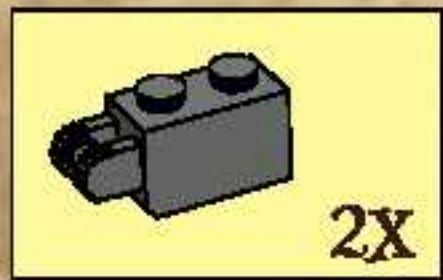
3



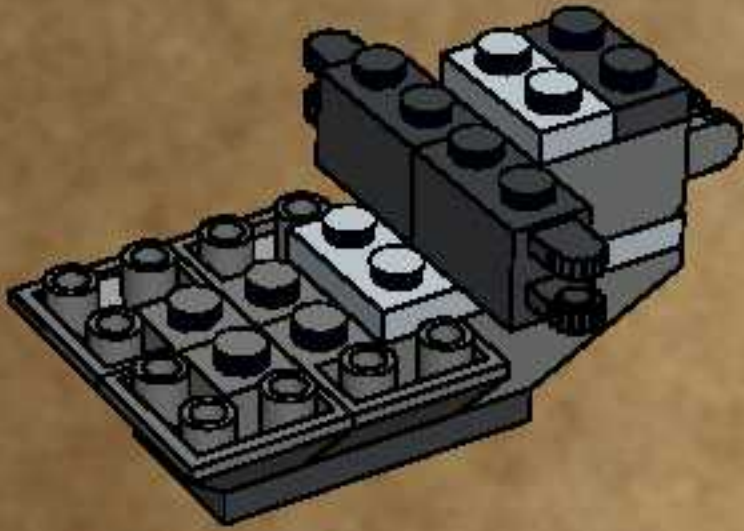
4



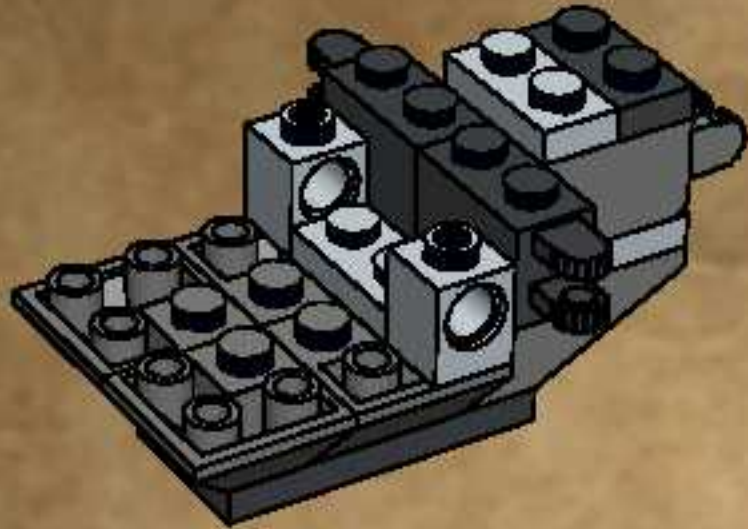
5



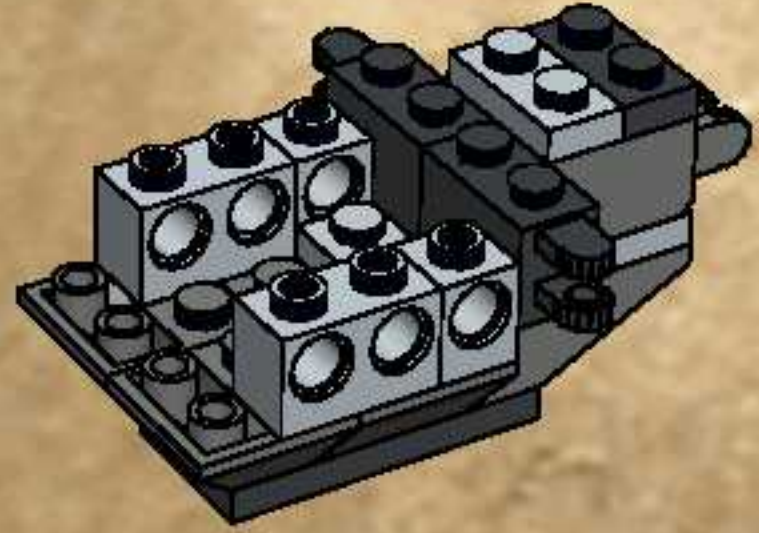
6



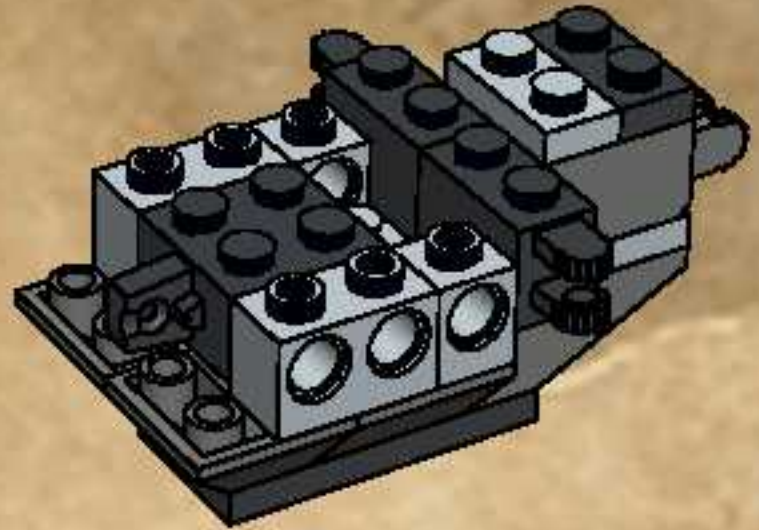
7



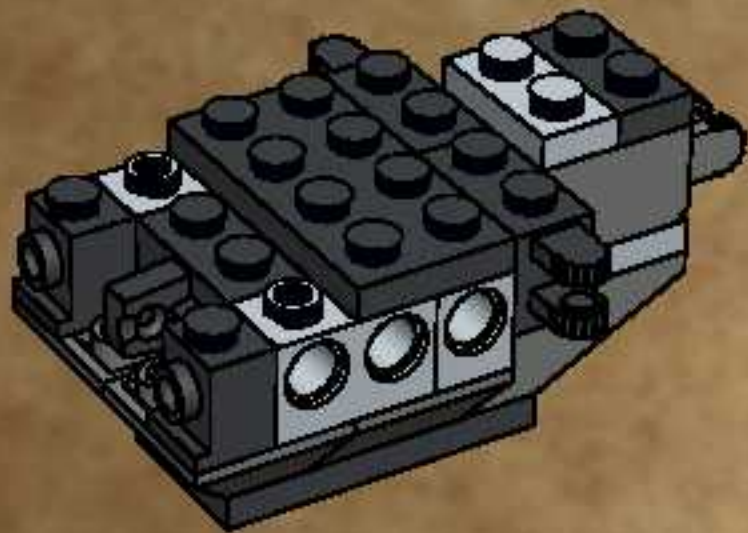
8



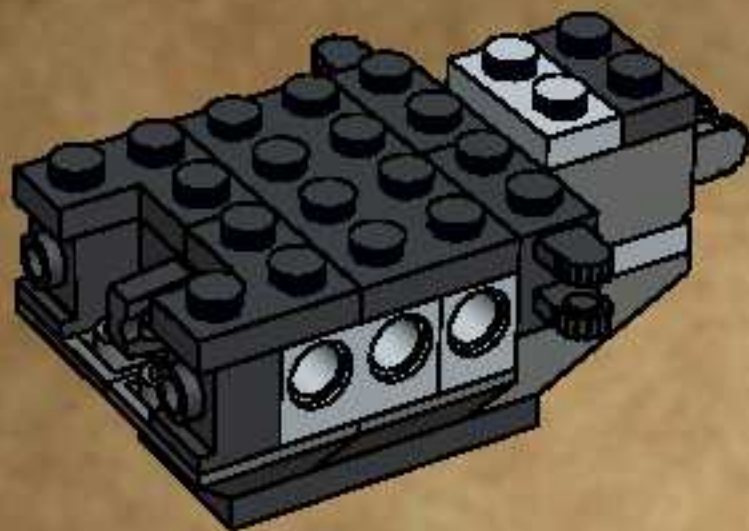
9



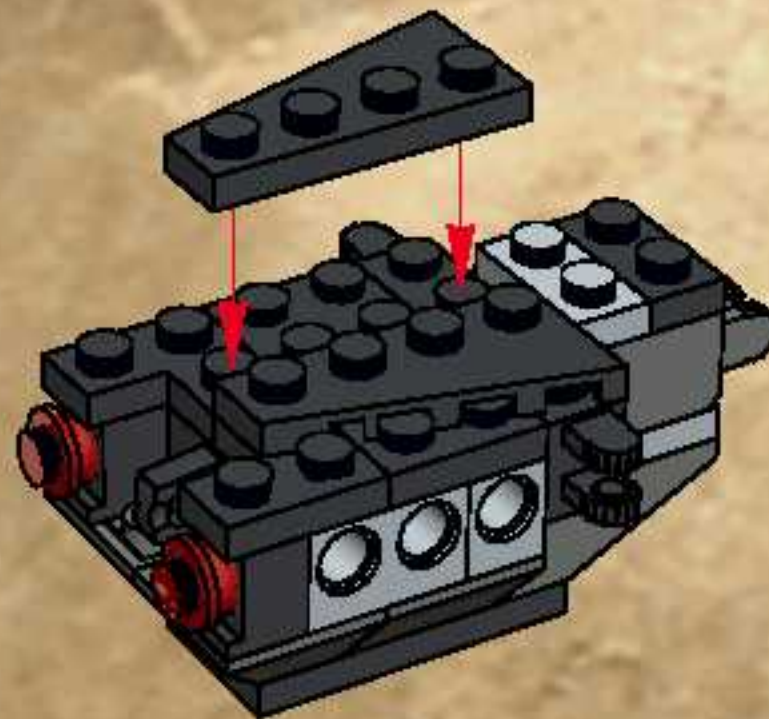
10



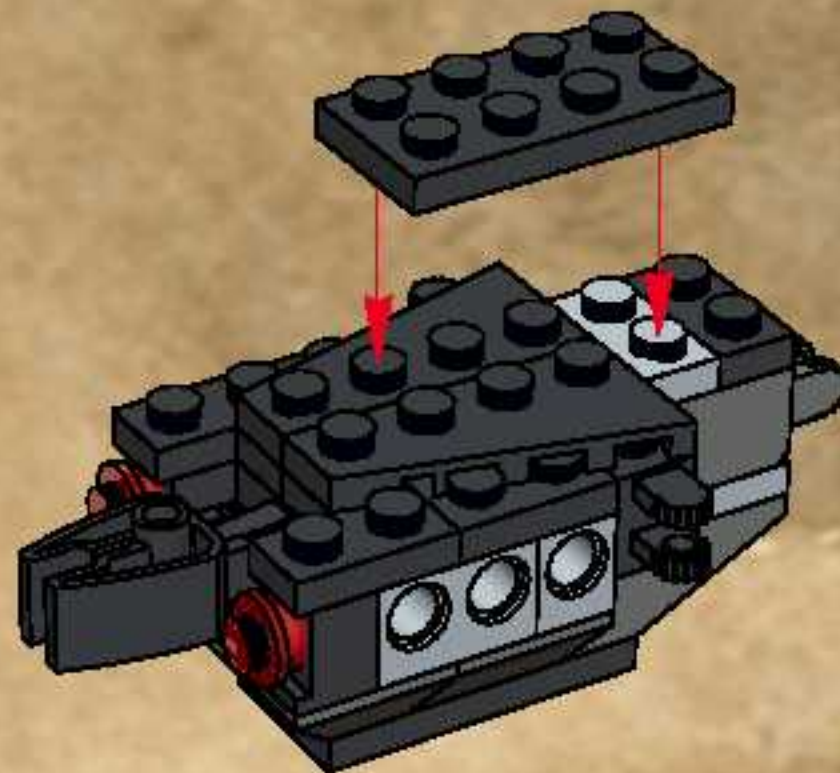
11



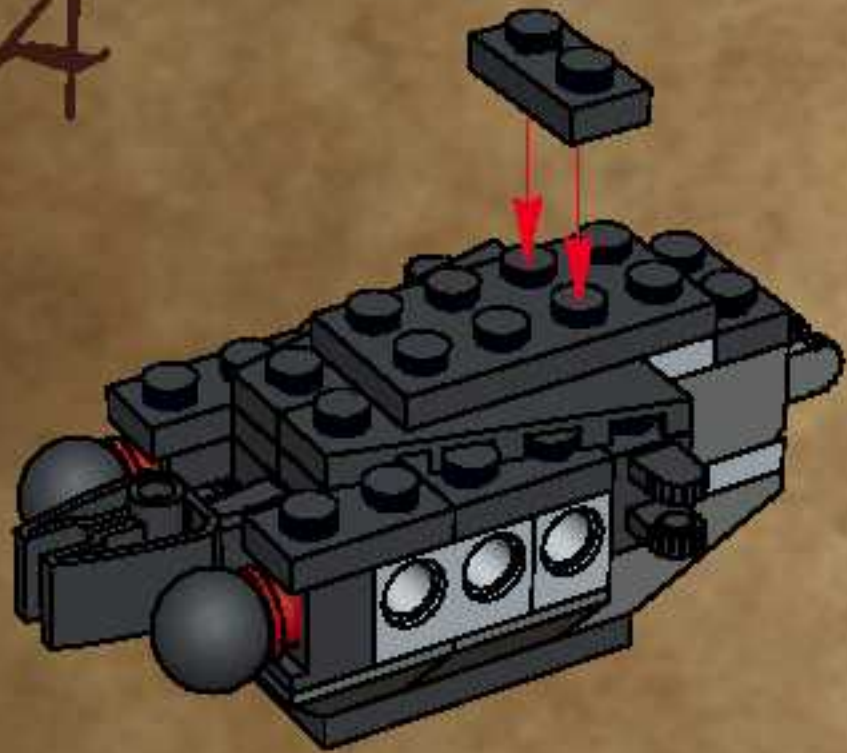
12



13



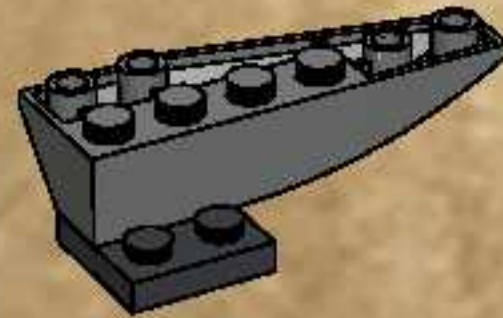
14



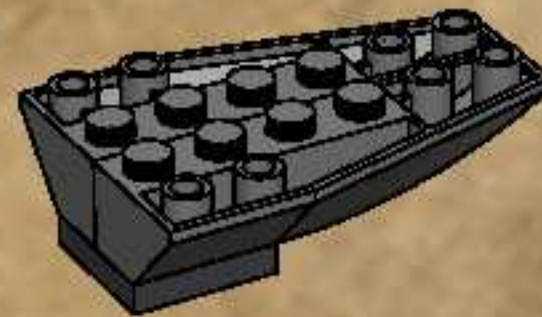
1



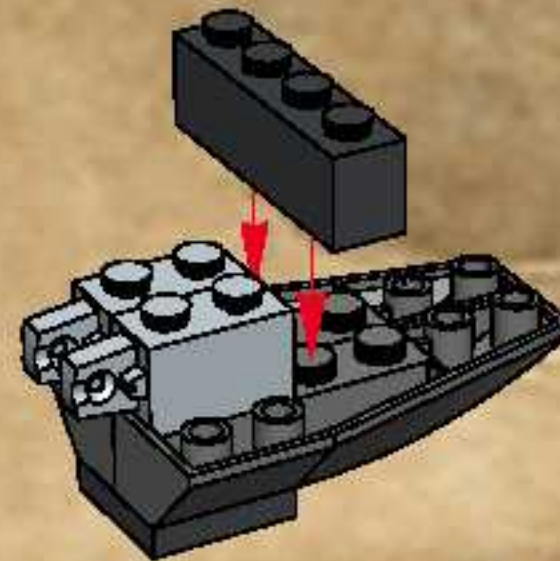
2



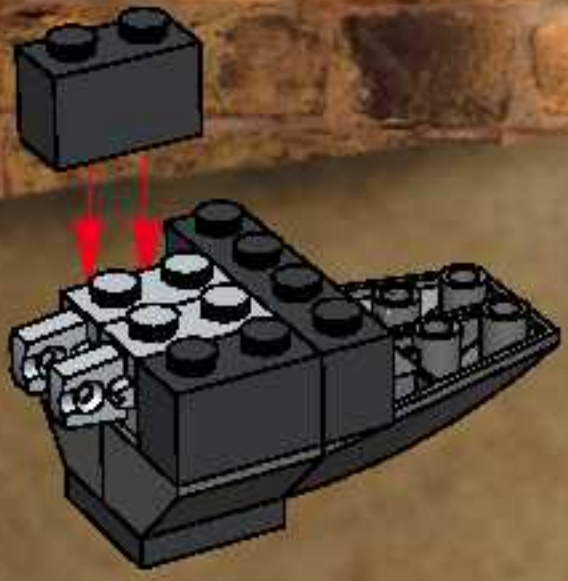
3



4



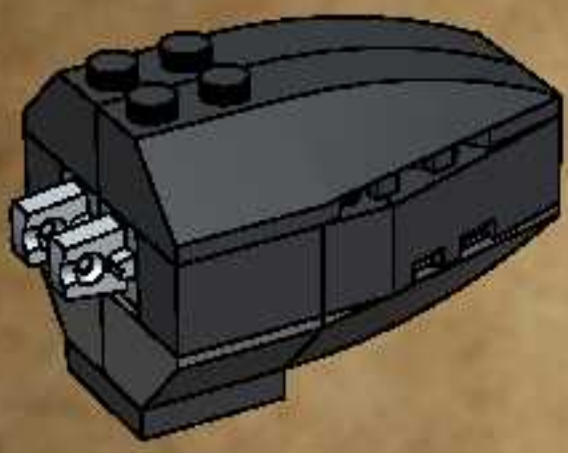
5



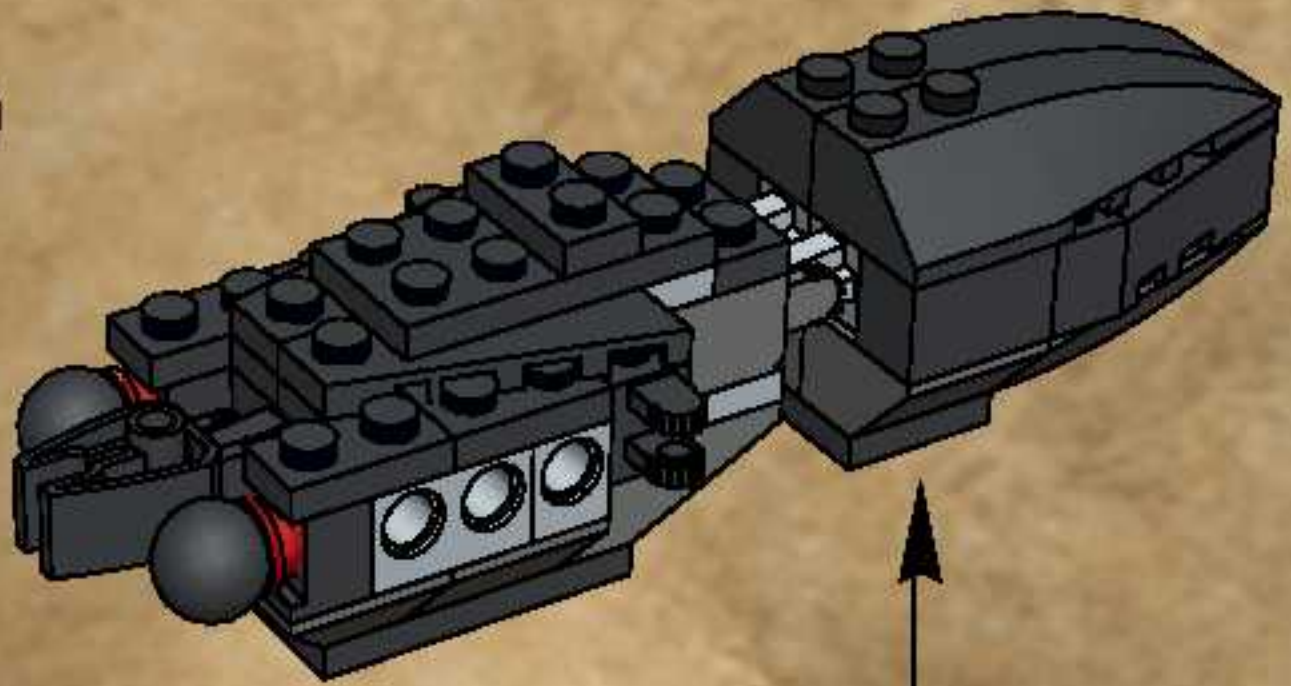
6

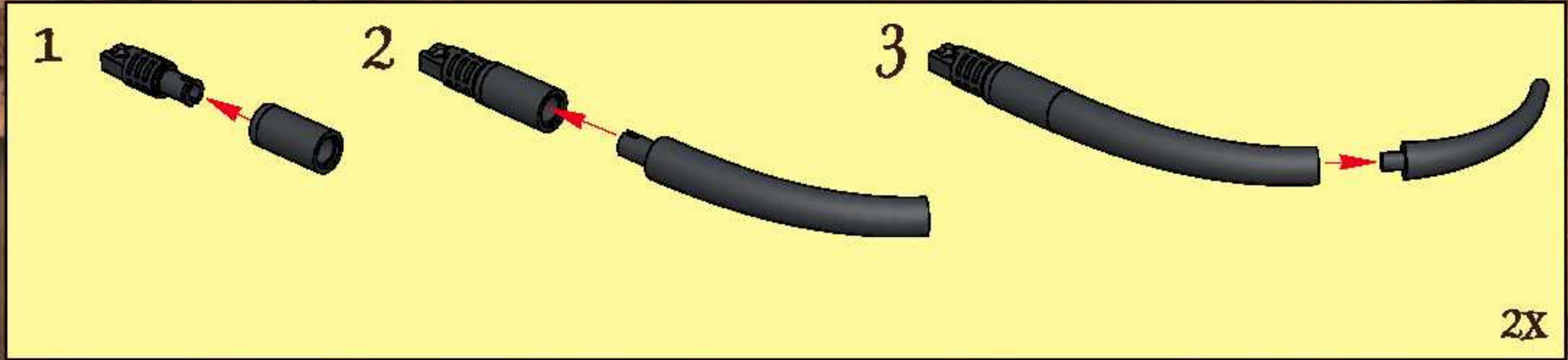


7

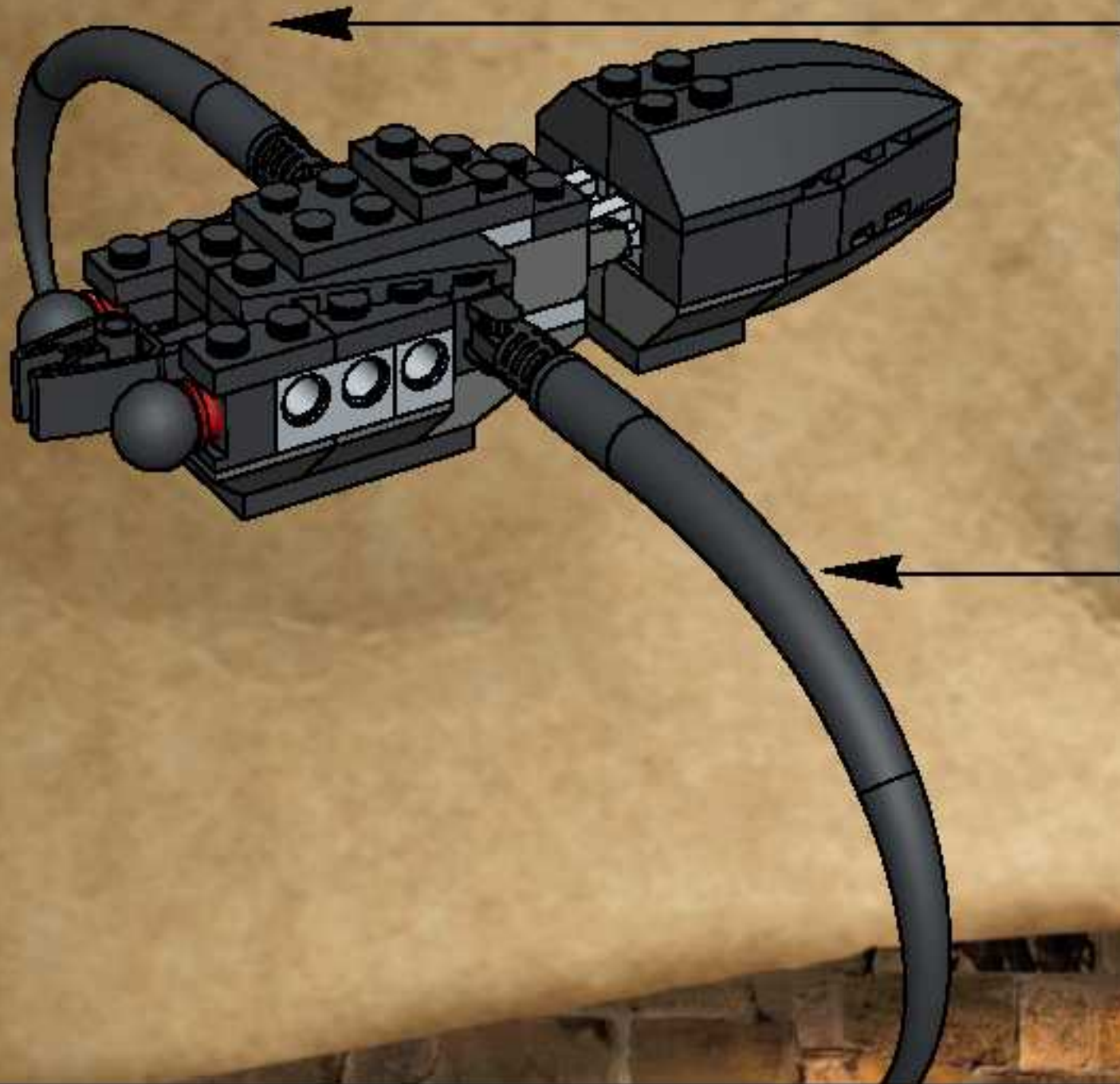


15

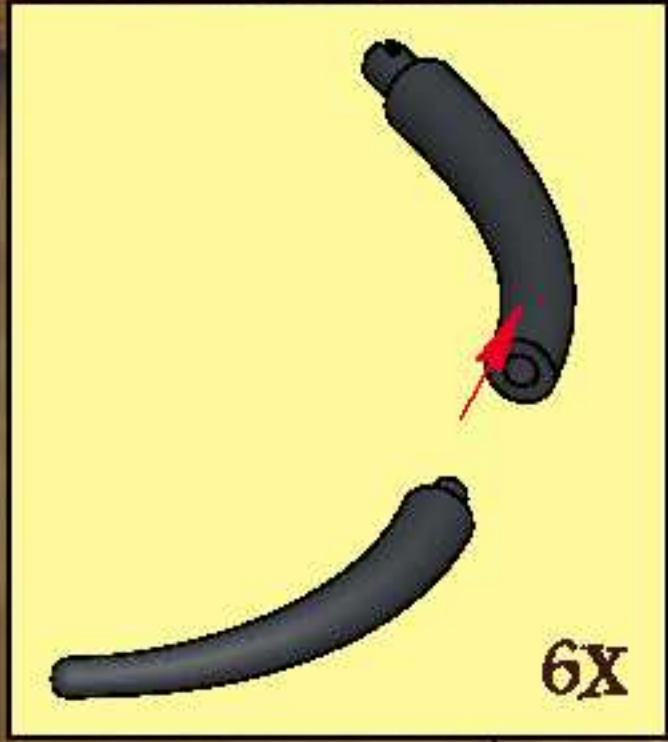




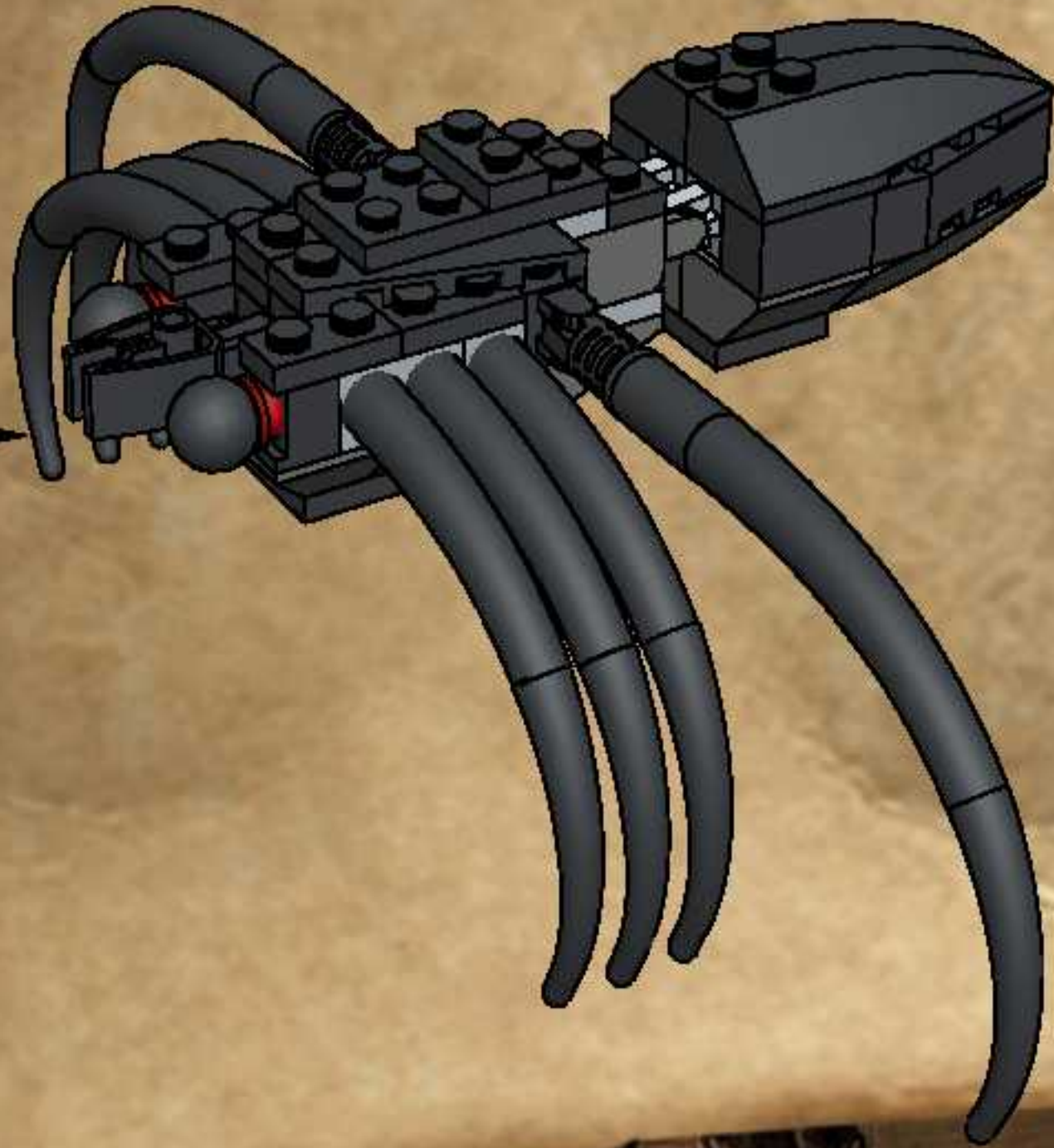
16

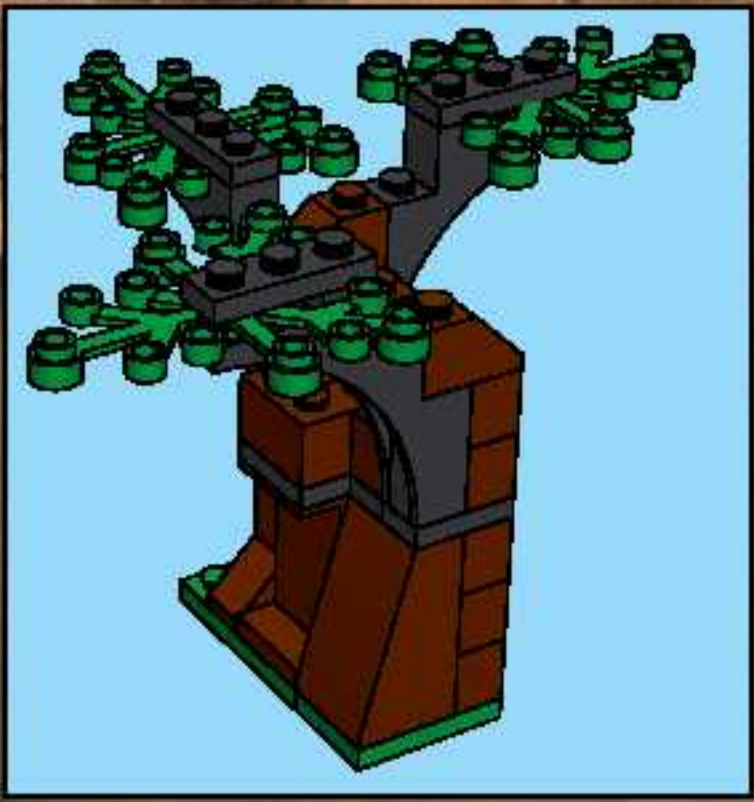




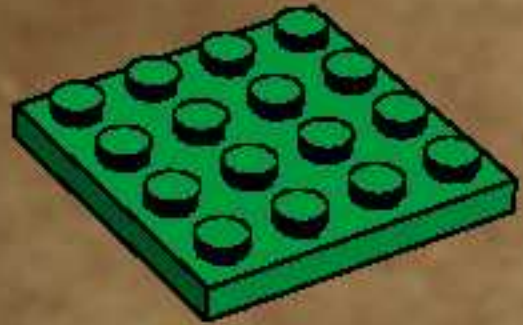


17





1



2



3



4



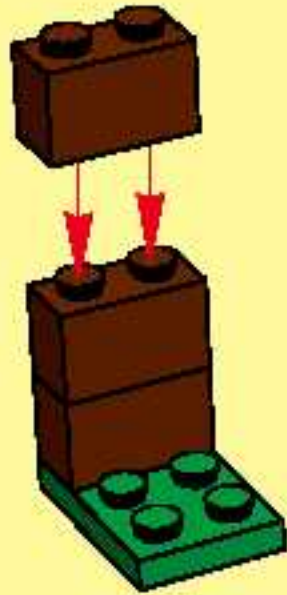
5



1



2



3



4



5



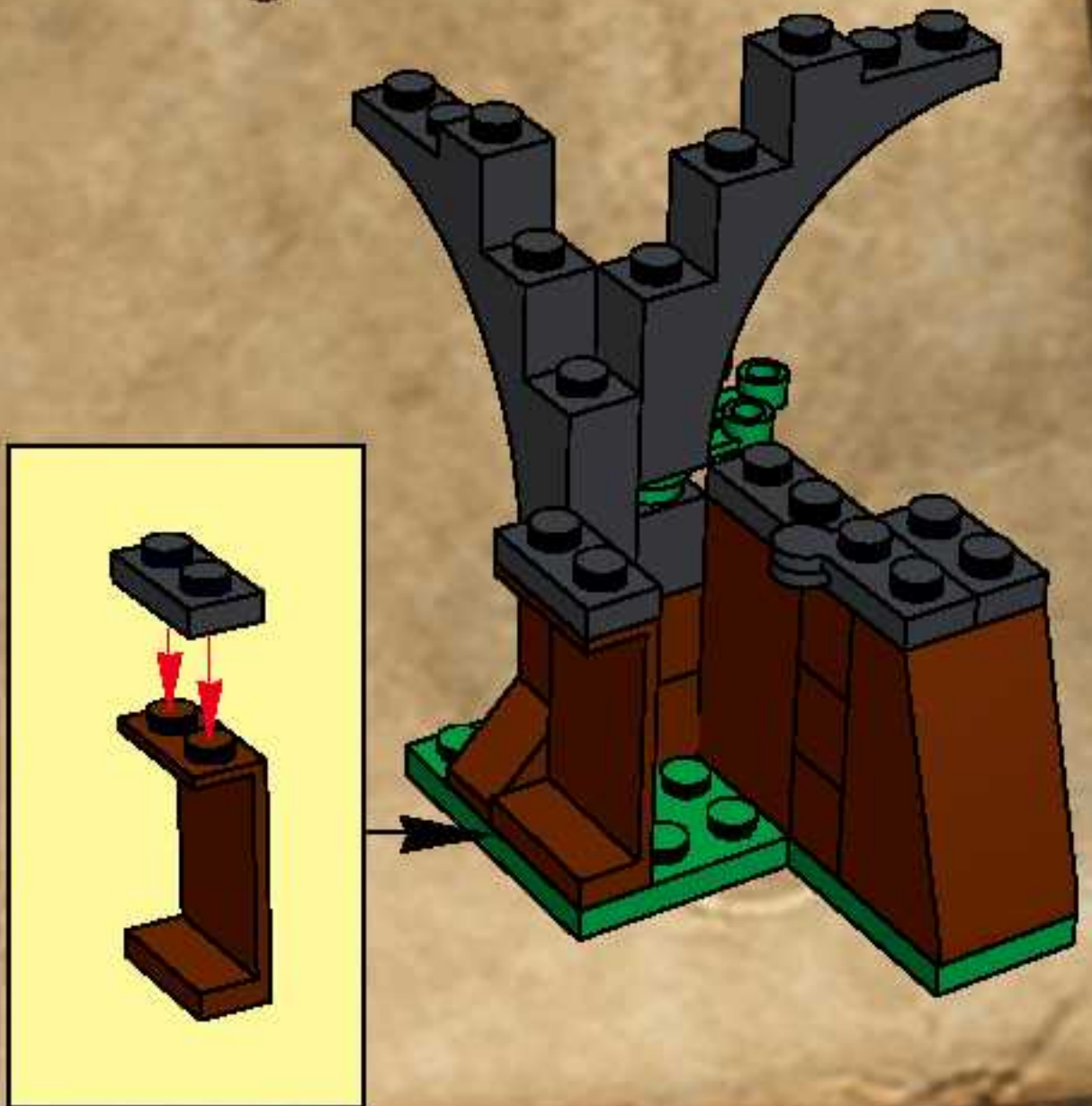
6



7



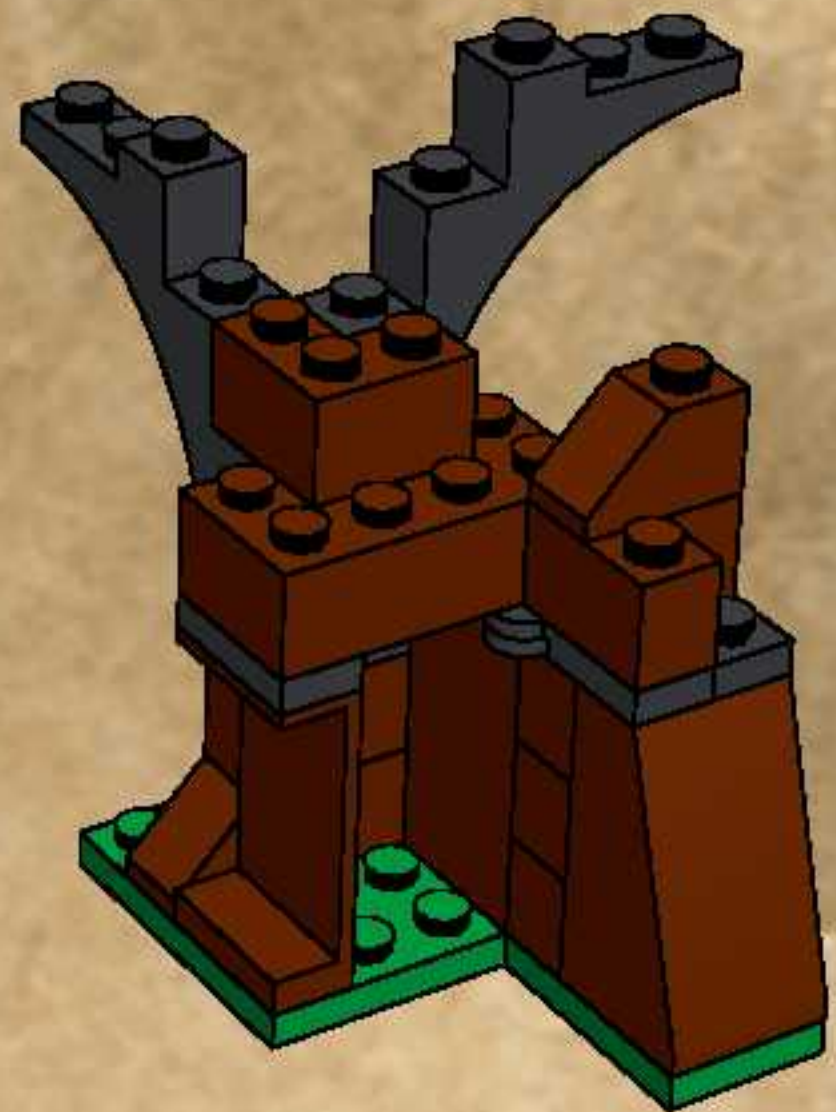
8



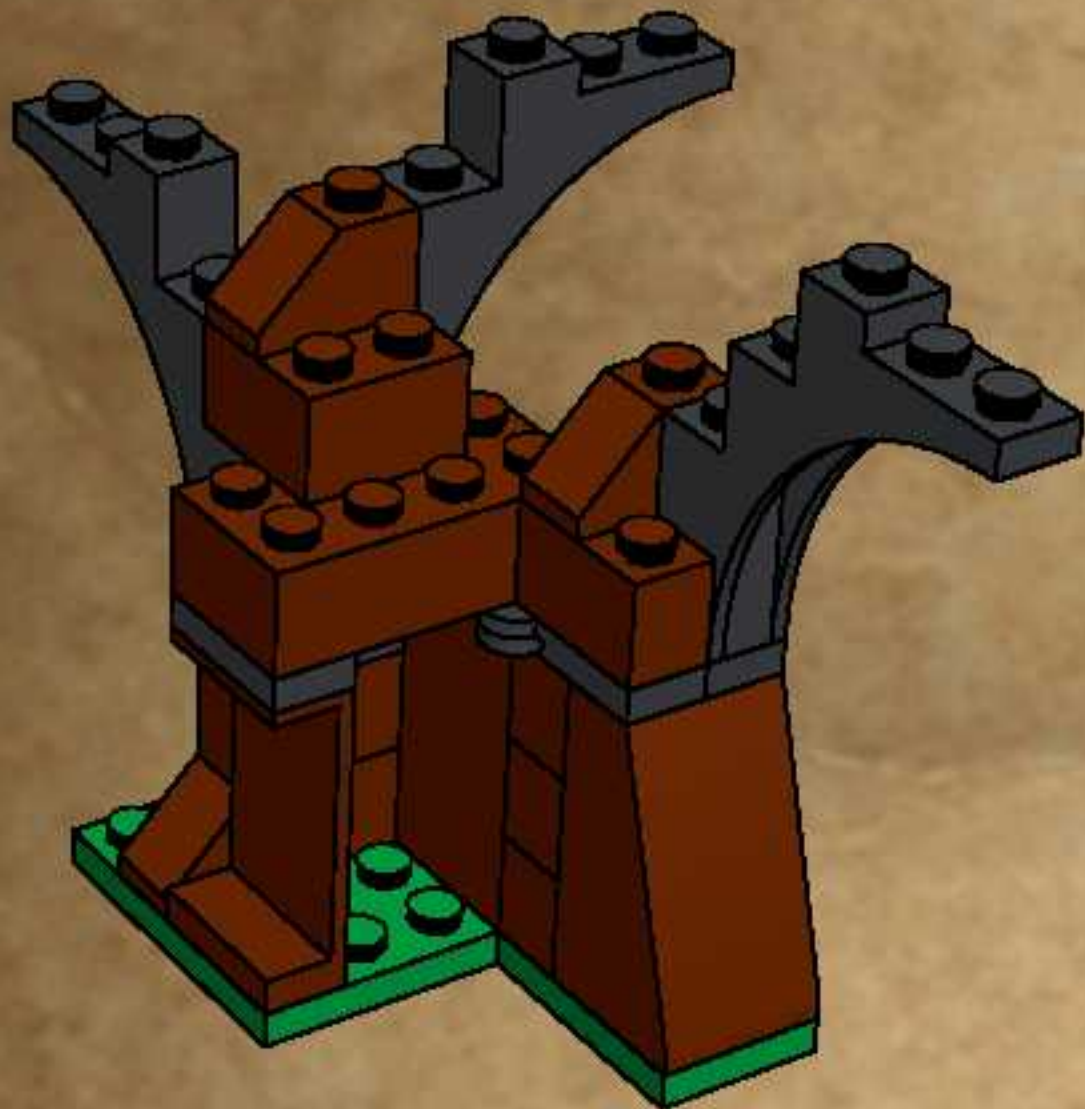
9



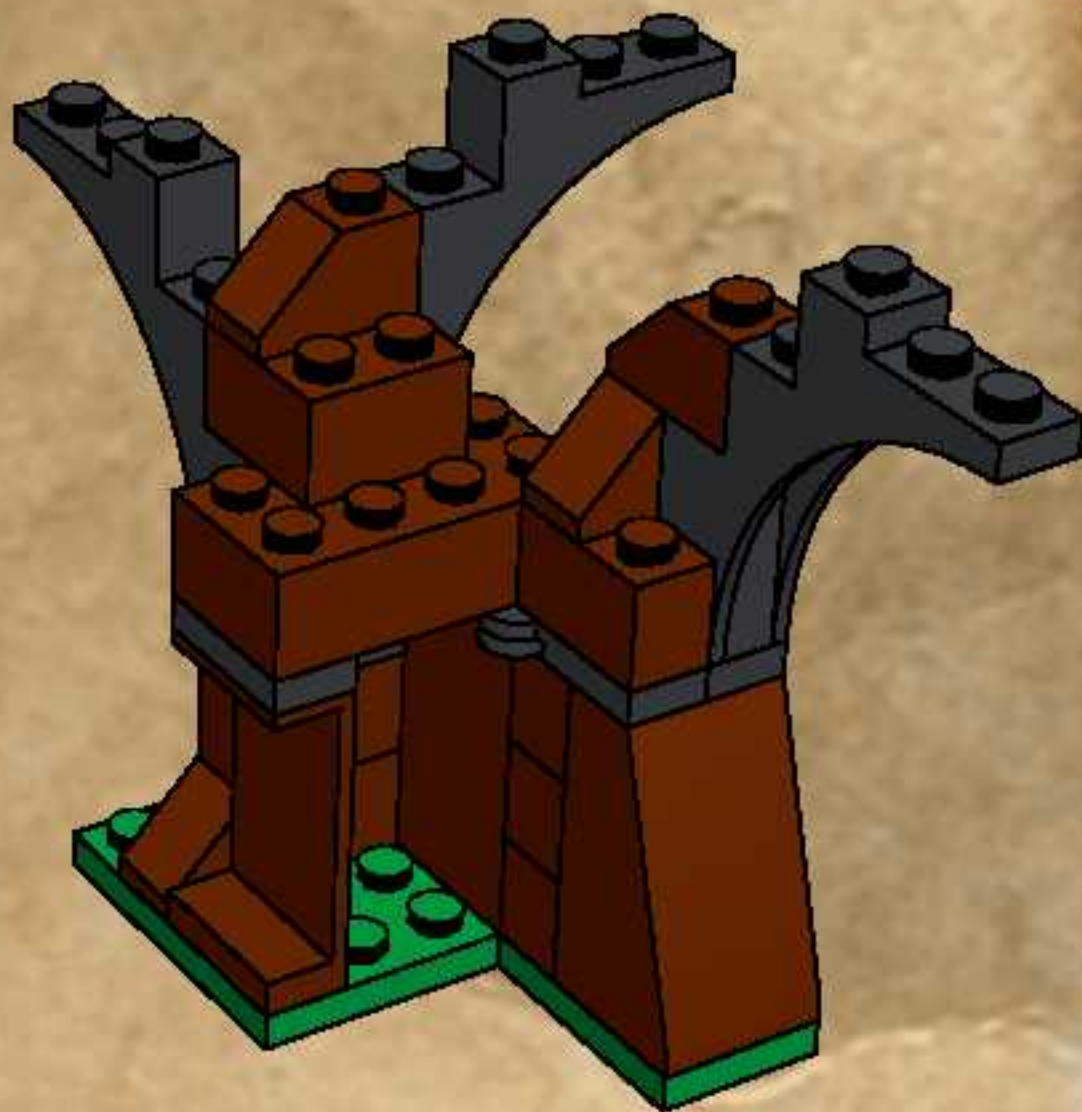
10



11



12



13

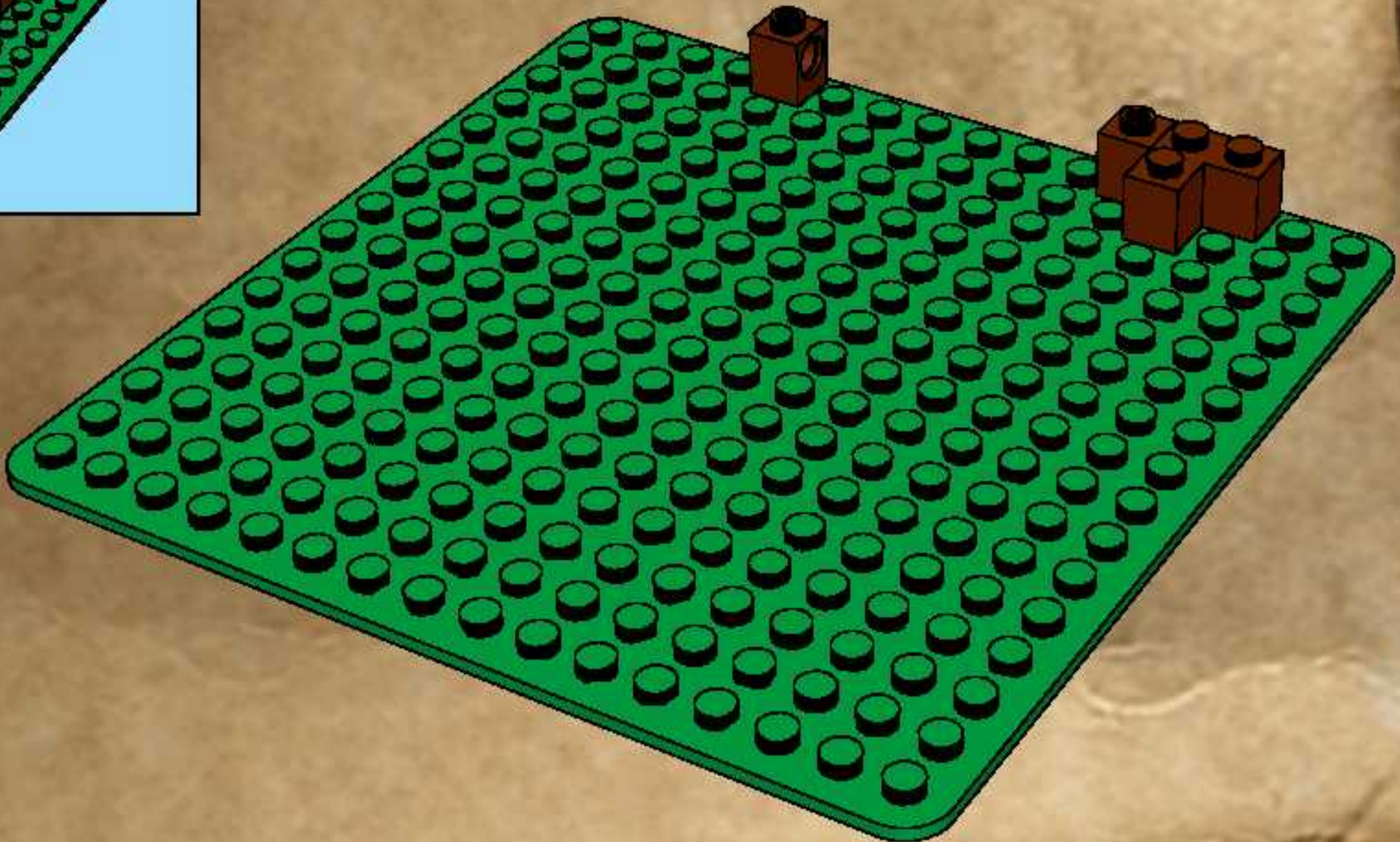


14





1





2



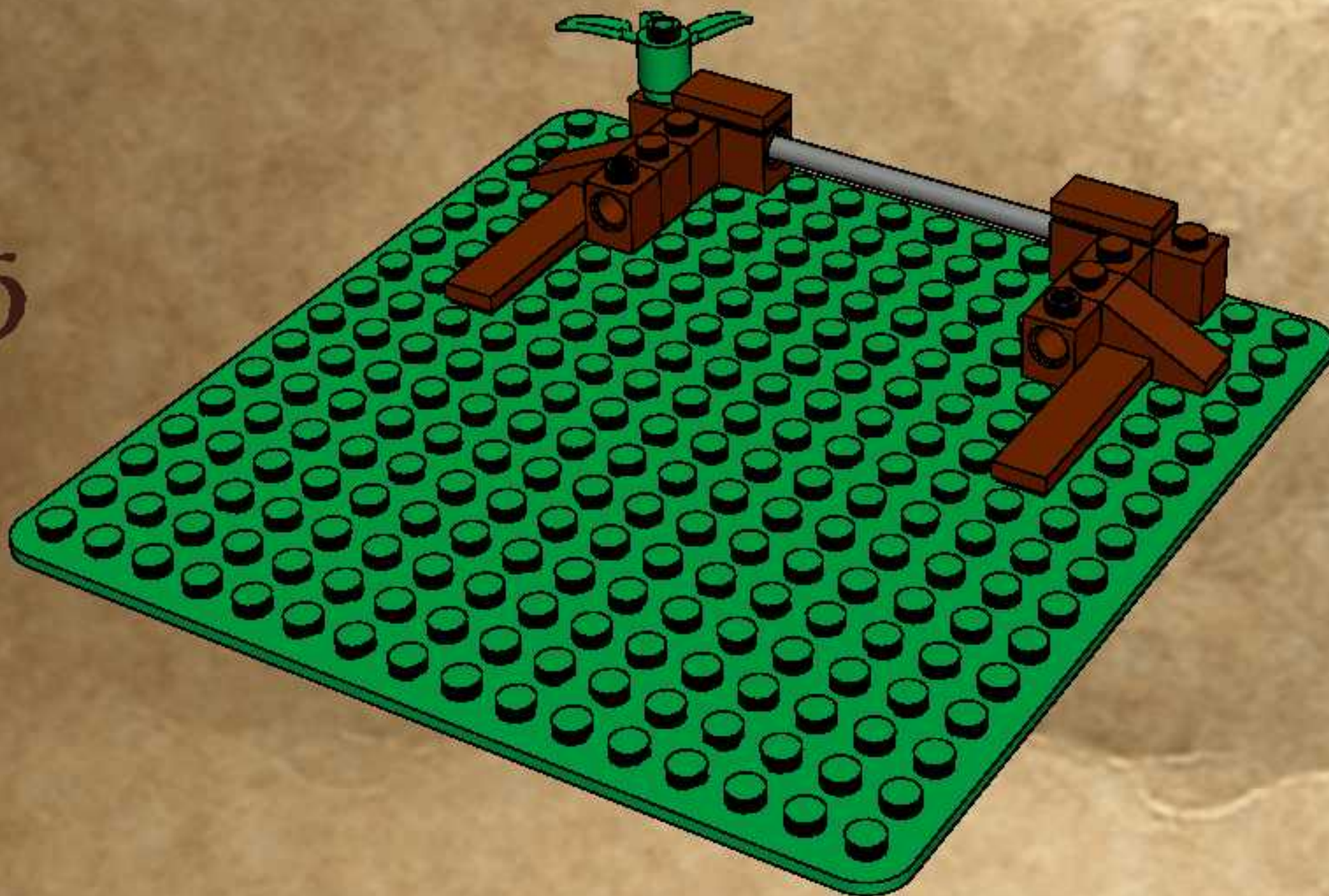
3



4



5



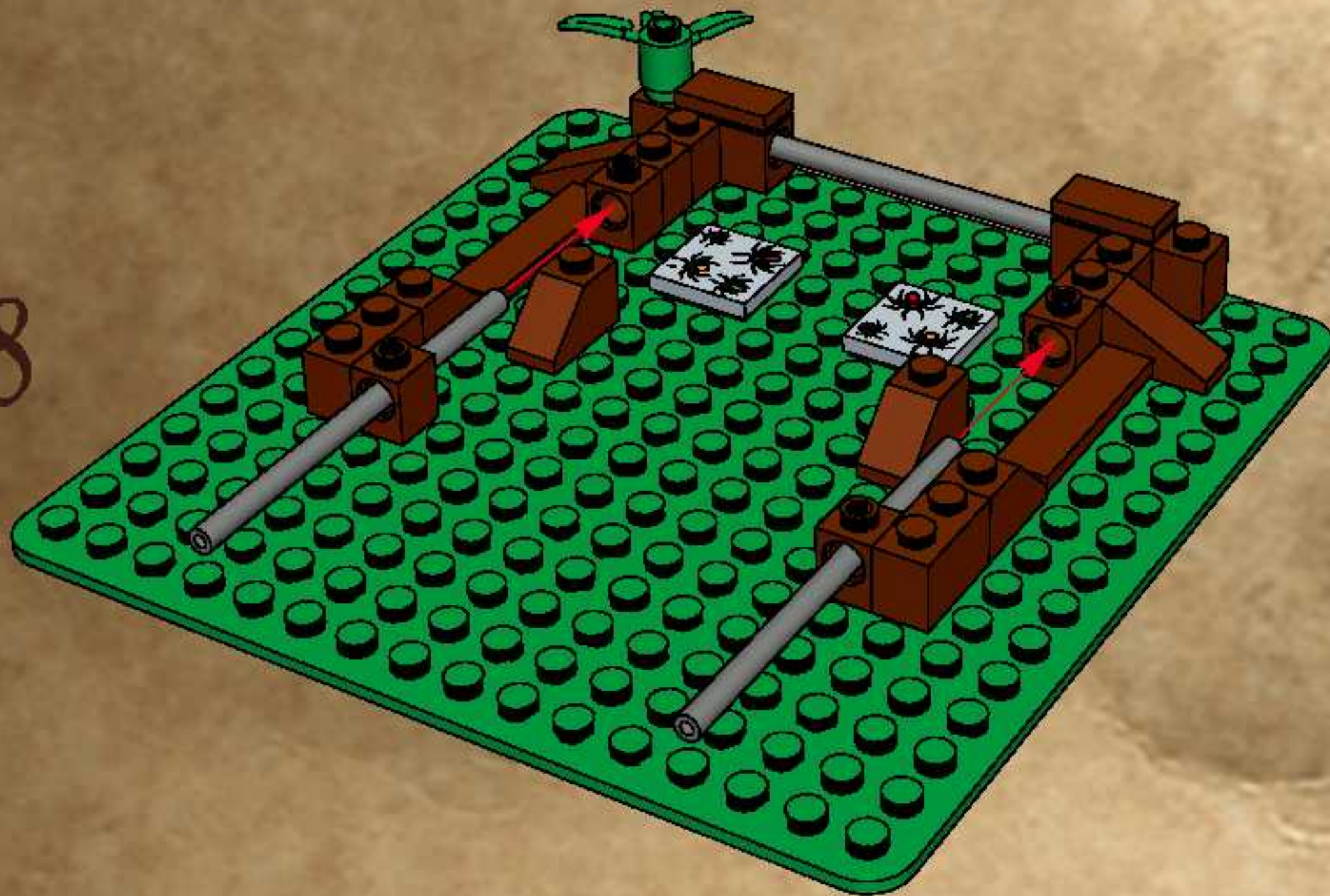
6



7



8

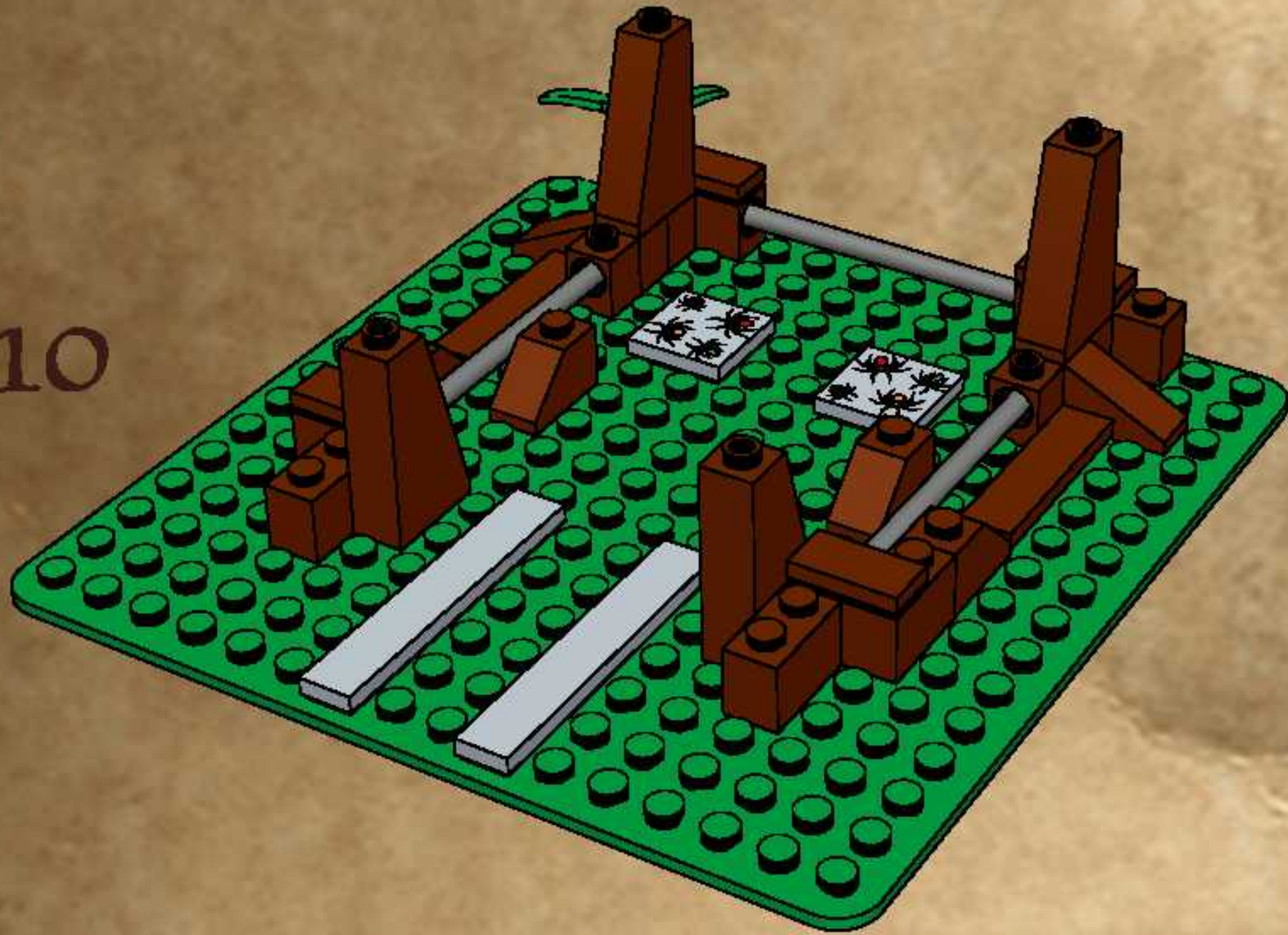




9



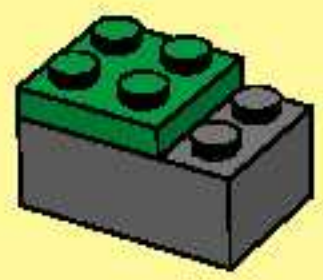
10



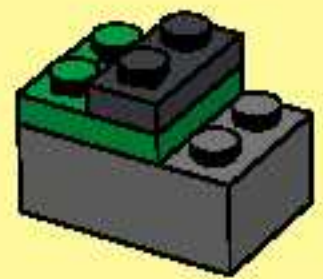
1



2

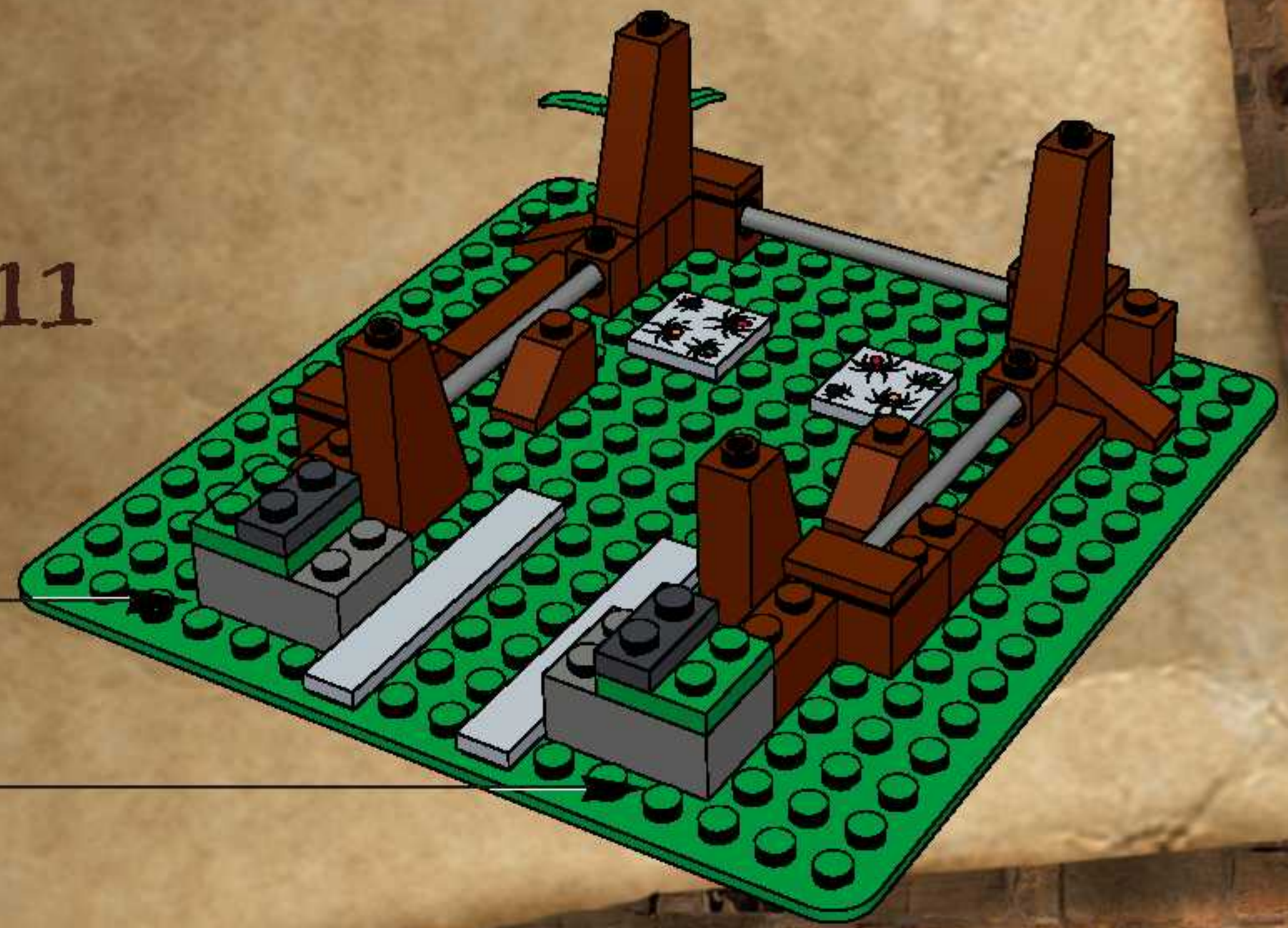


3

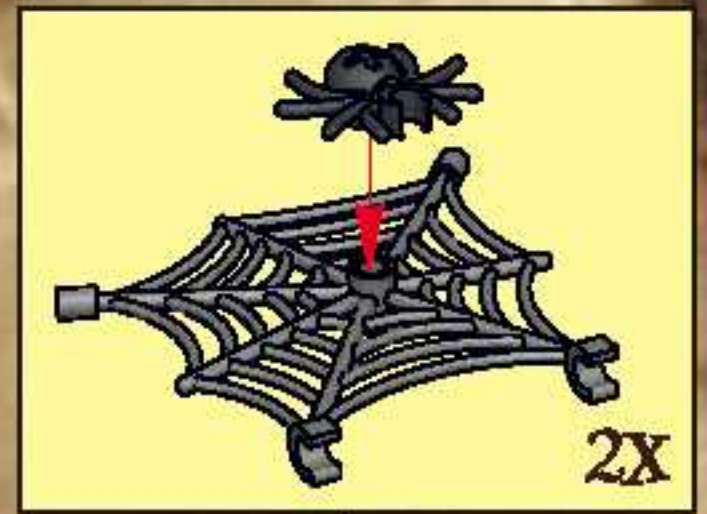
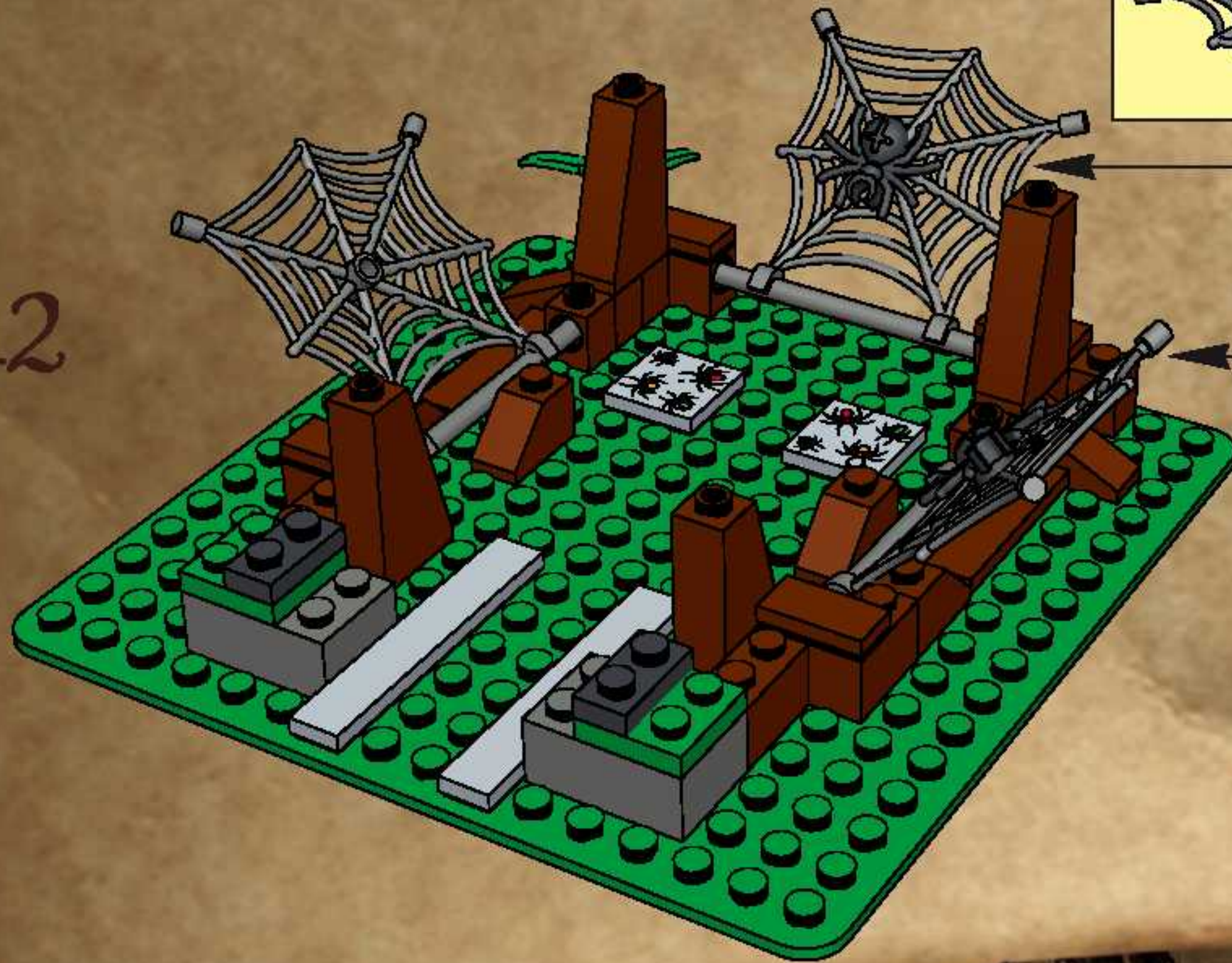


2X

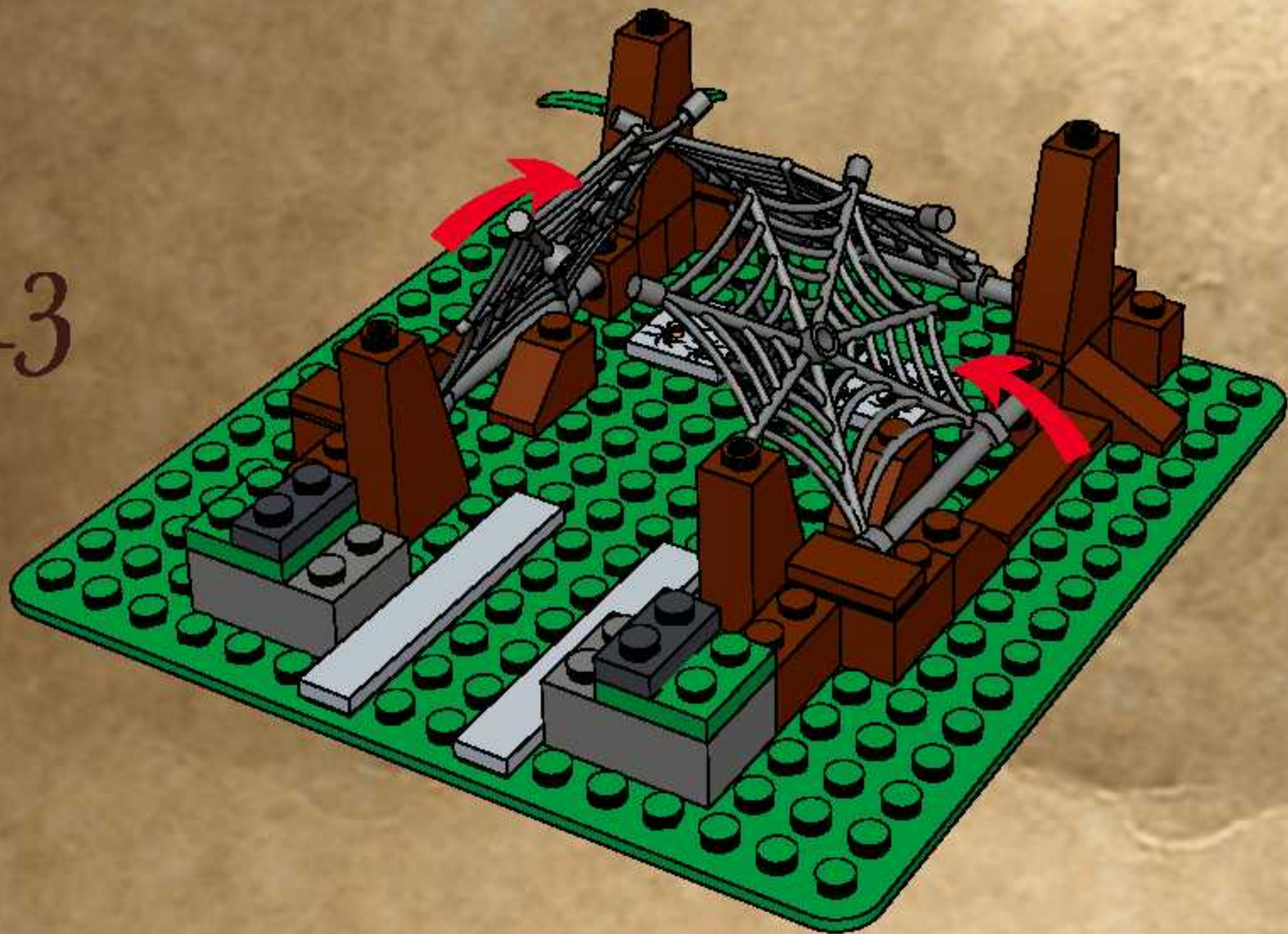
11



12



13



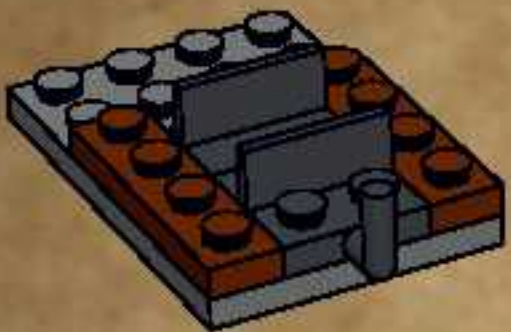
1



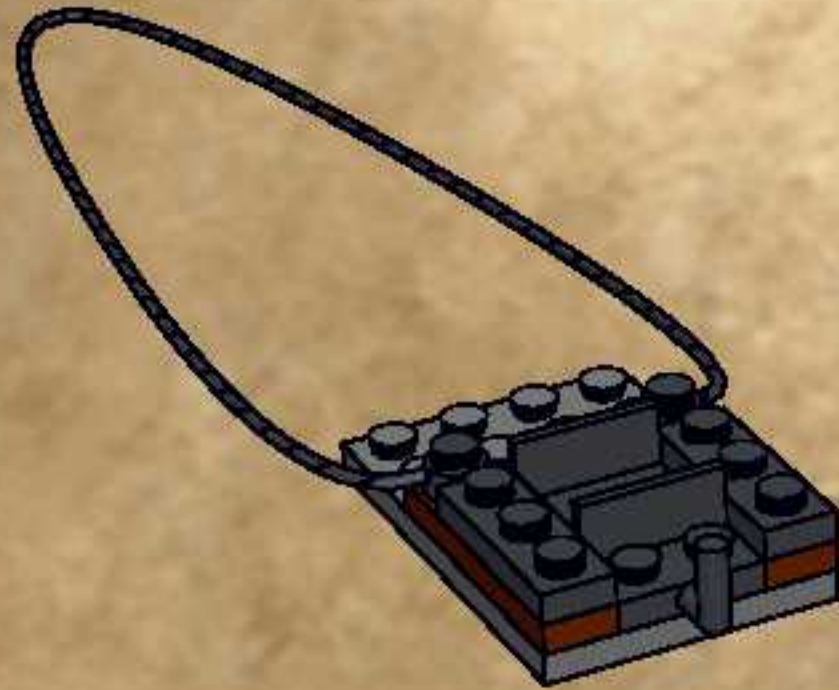
2



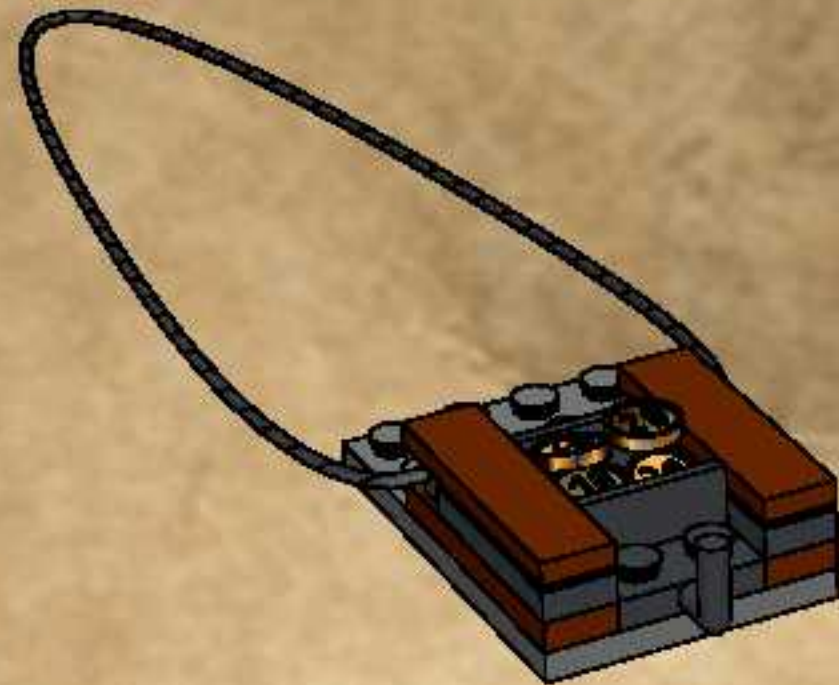
3



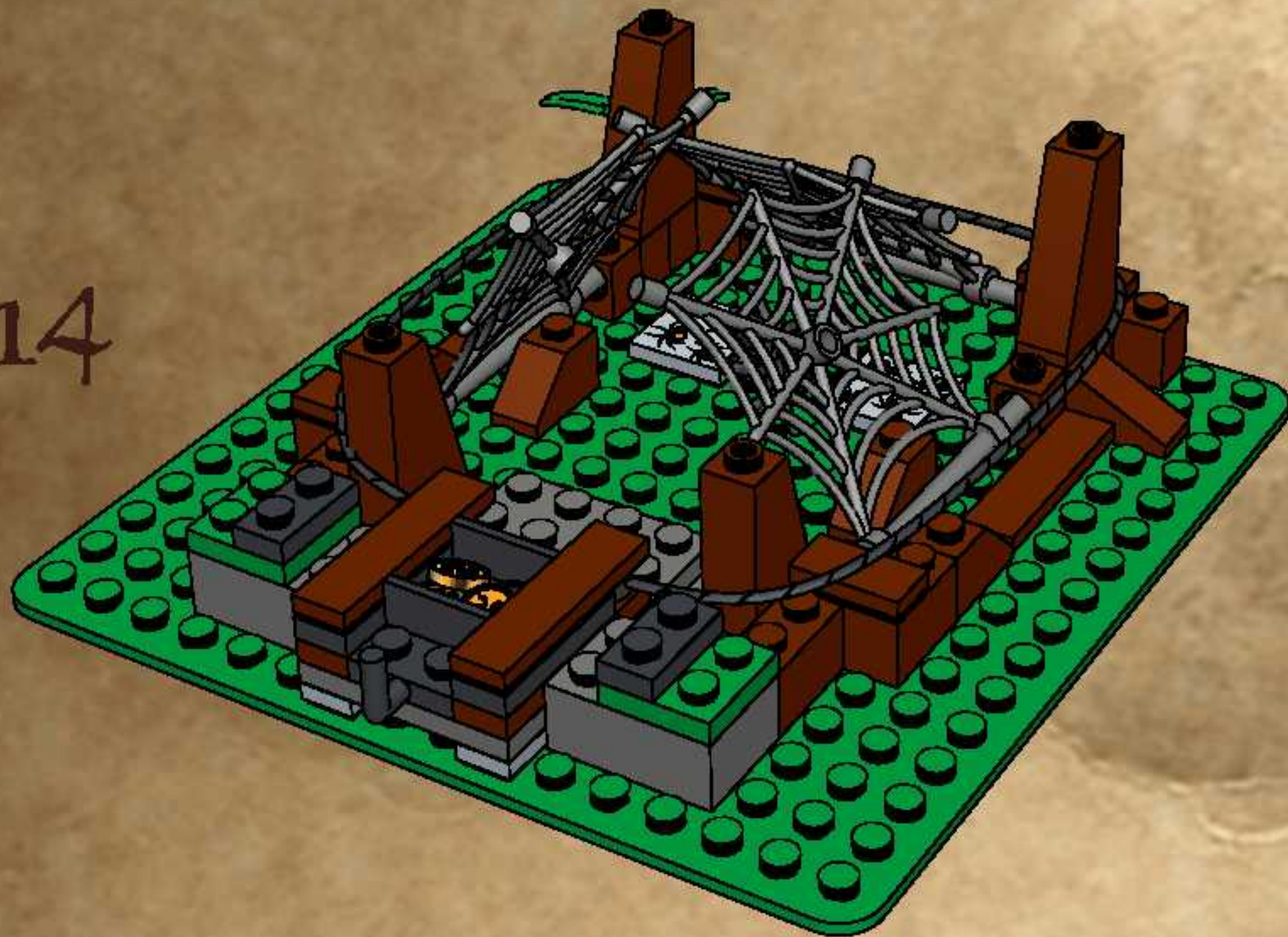
4



5



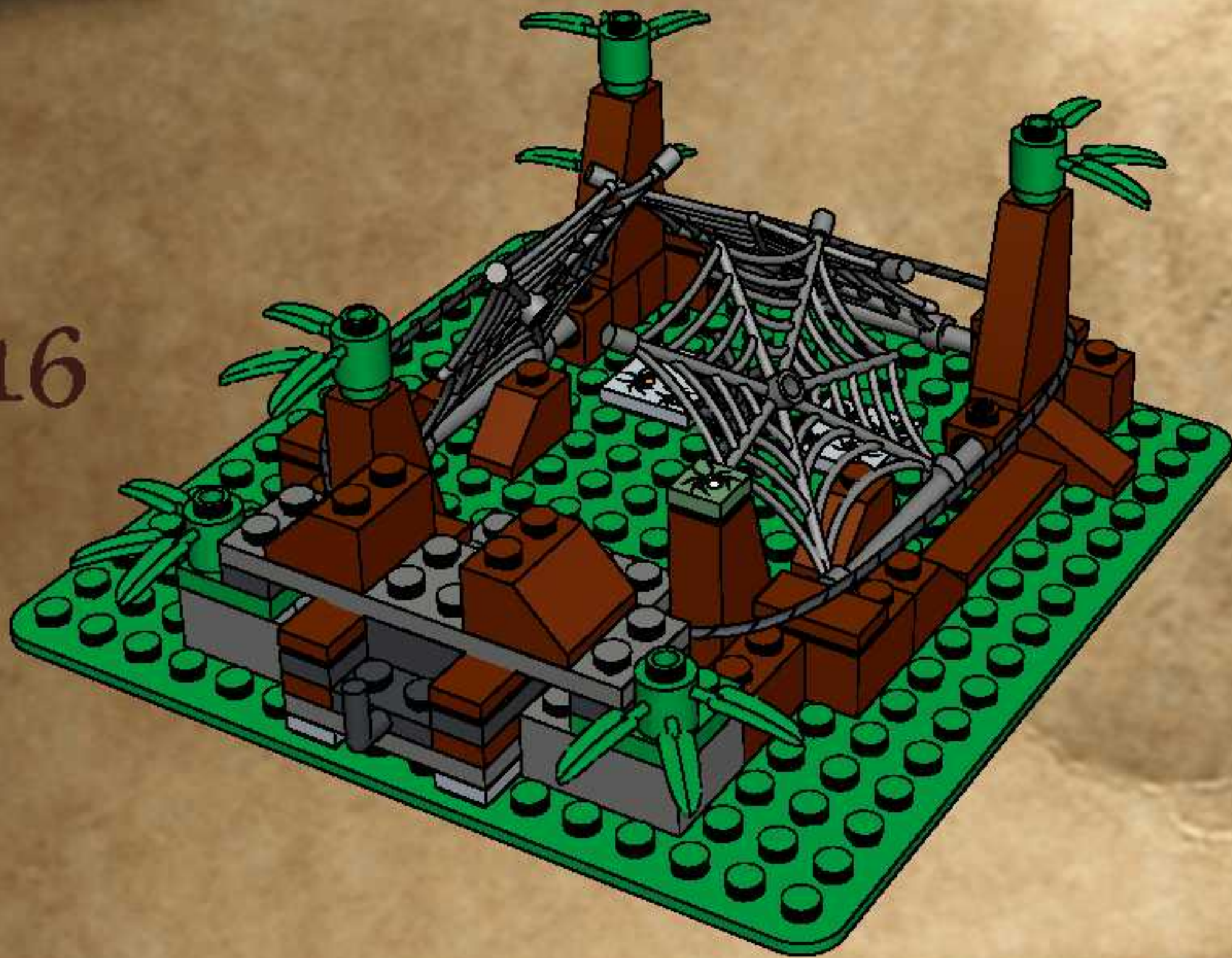
14



15

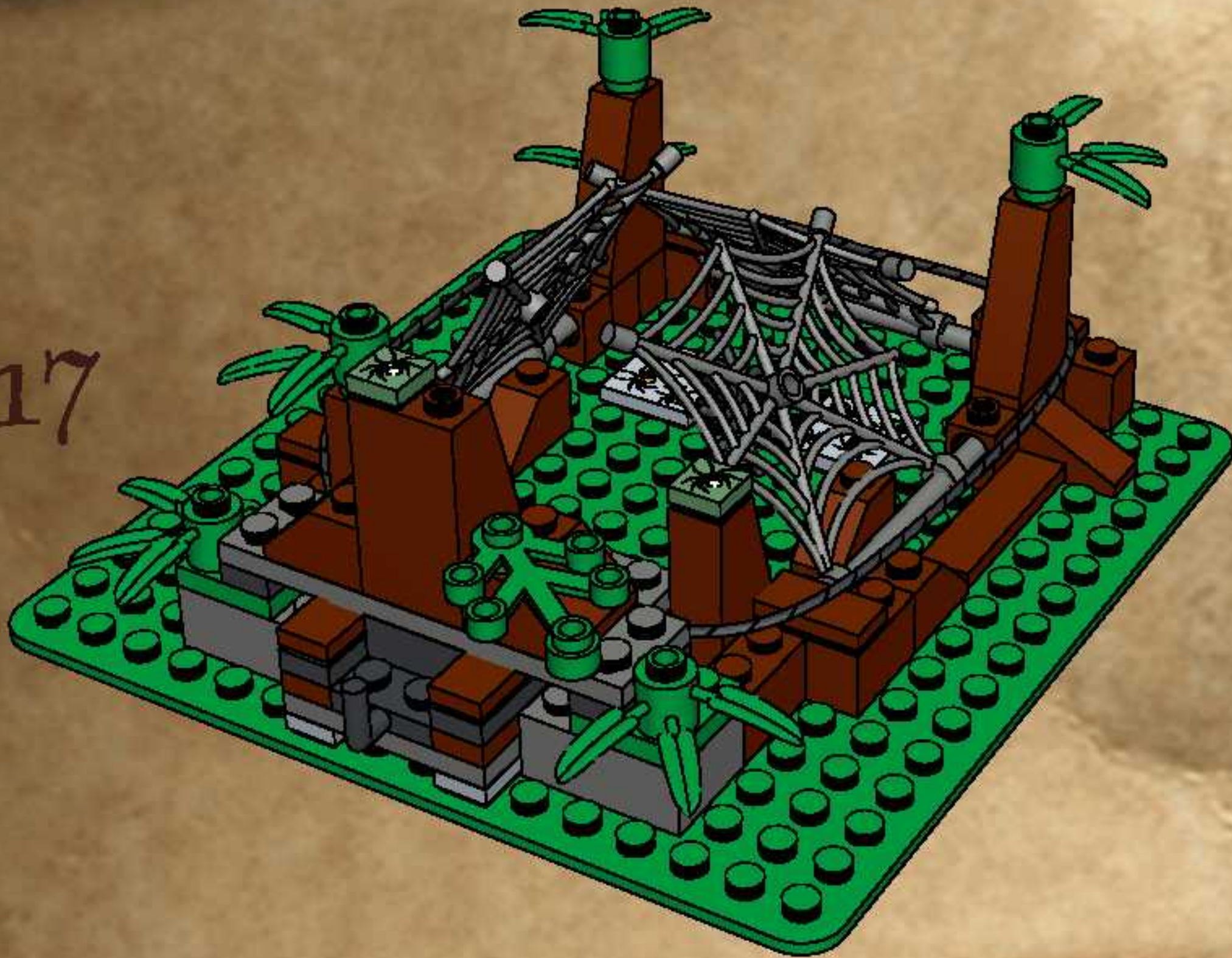


16



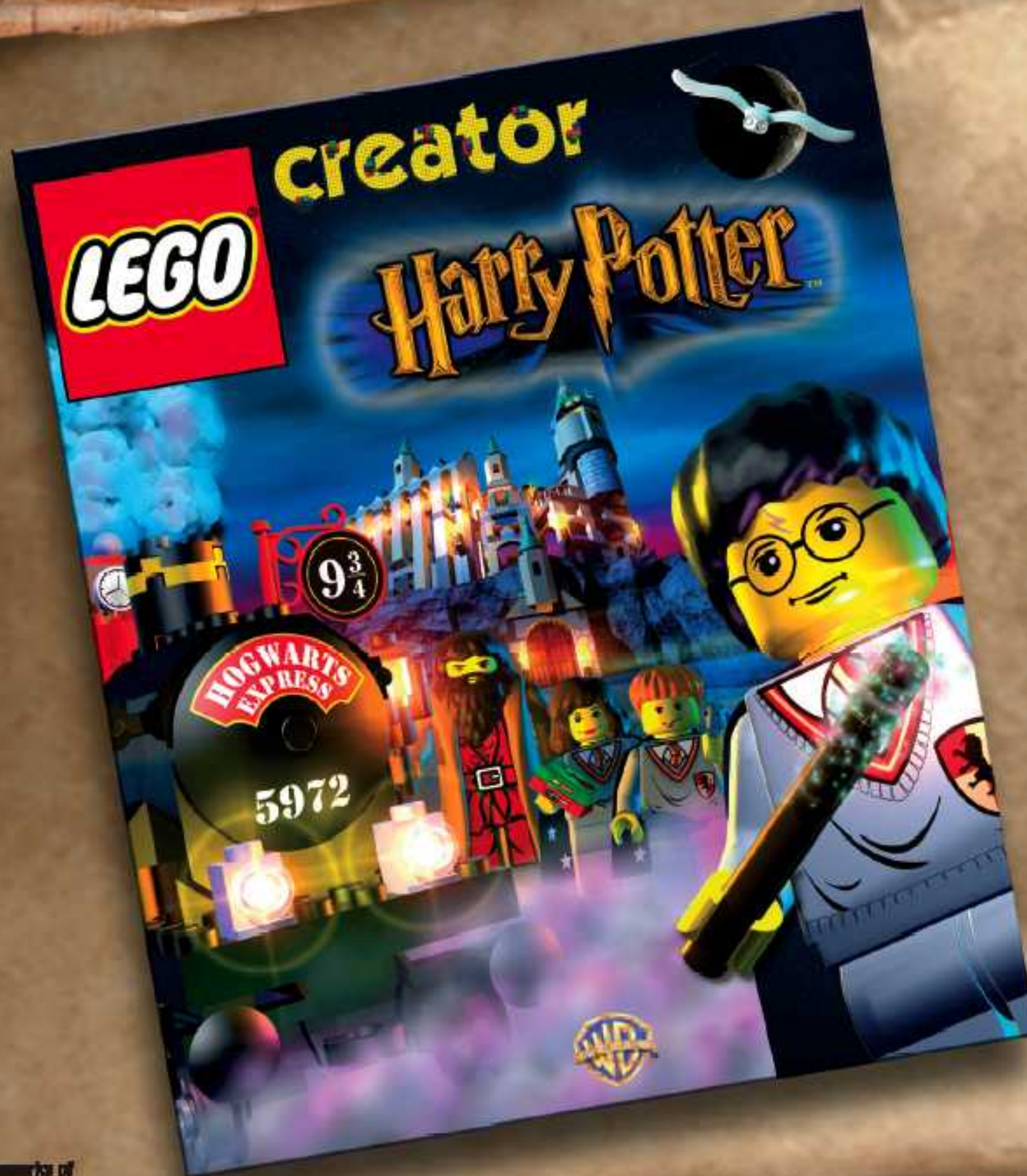


17



18





LEGO and the LEGO logo are trademarks of the LEGO Group.  
©2002 The LEGO Group.

HARRY POTTER, characters, names and related indicia are trademarks of  
and © Warner Bros.  
Harry Potter Publishing Rights © J.K. Rowling.

(s02)



LEGO and the LEGO logo are trademarks of the LEGO Group.  
©2002 The LEGO Group.

HARRY POTTER, characters, names and related indicia are trademarks of and © Warner Bros.

WB SHIELD: TM & © Warner Bros.

Harry Potter Publishing Rights © J.K. Rowling.

(1/02)



4-189975