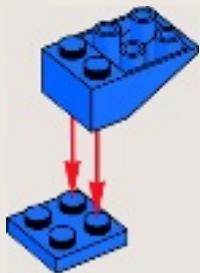




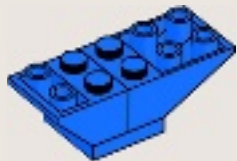
FSC  
www.fsc.org  
MIX  
Paper from  
responsible sources  
FSC® C117818



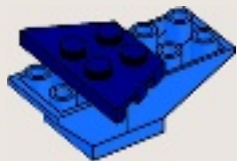
1



2



3



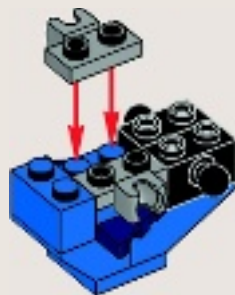
4



5



6



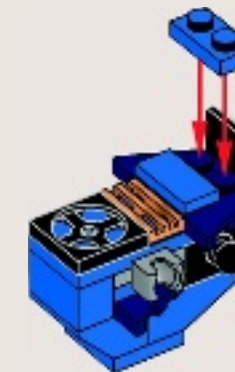
7



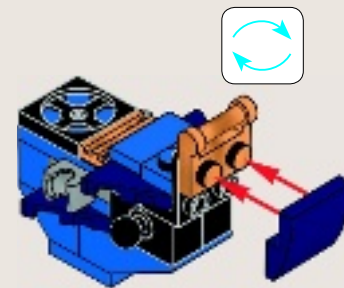
8



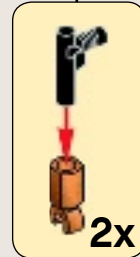
9



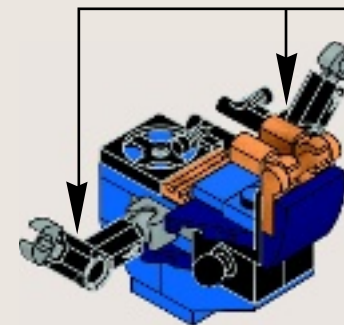
10

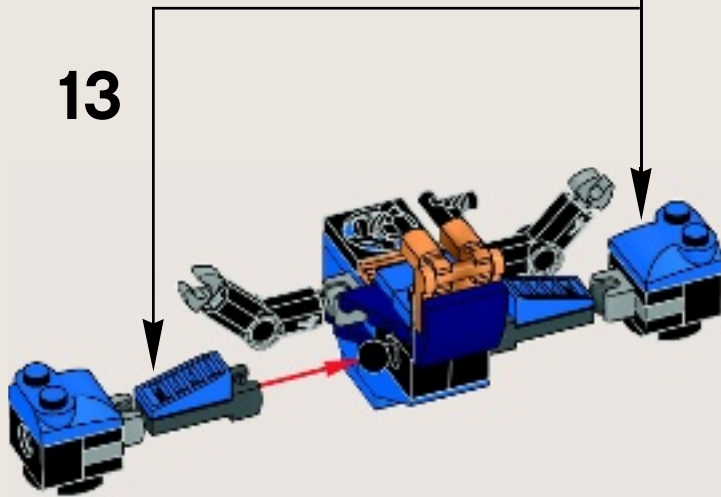
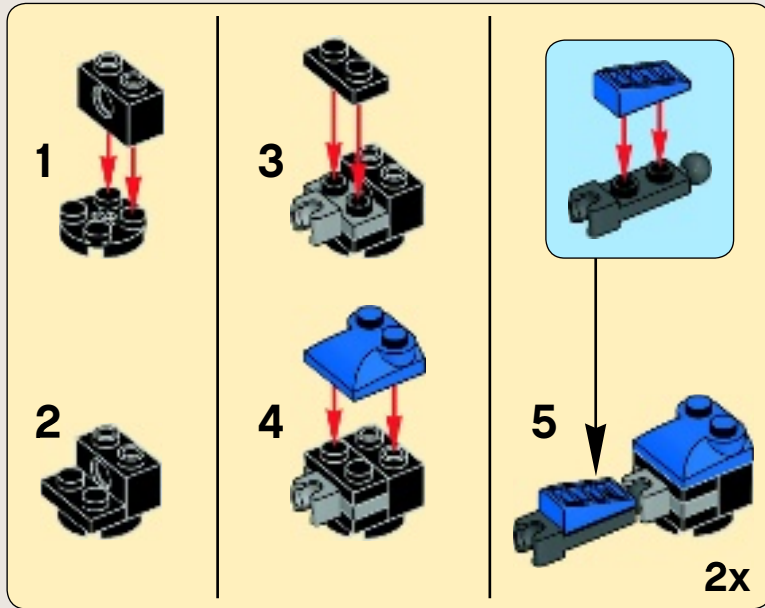


11

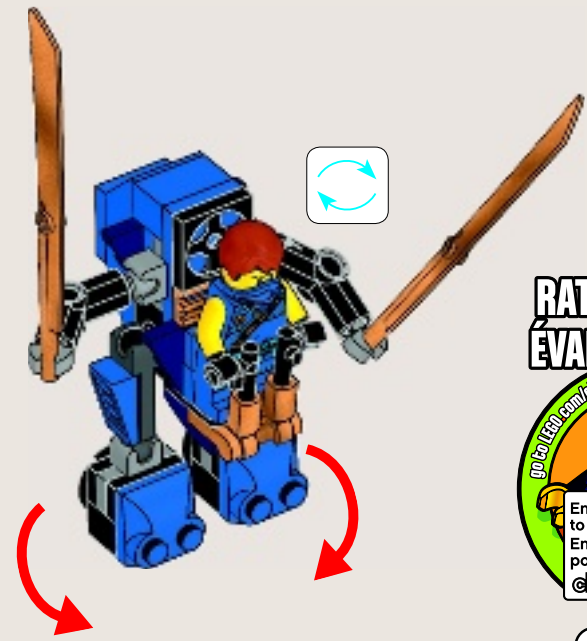


12





14



RATE THIS SET!  
ÉVALUE CE JEU!



LEGO.com/service  LEGO.com/ninjago

LEGO and the LEGO logo are trademarks of the/sont des marques de commerce du/son marcas registradas de LEGO Group. ©2015 The LEGO Group. 6114490



LEGO.COM/NINJAGO