



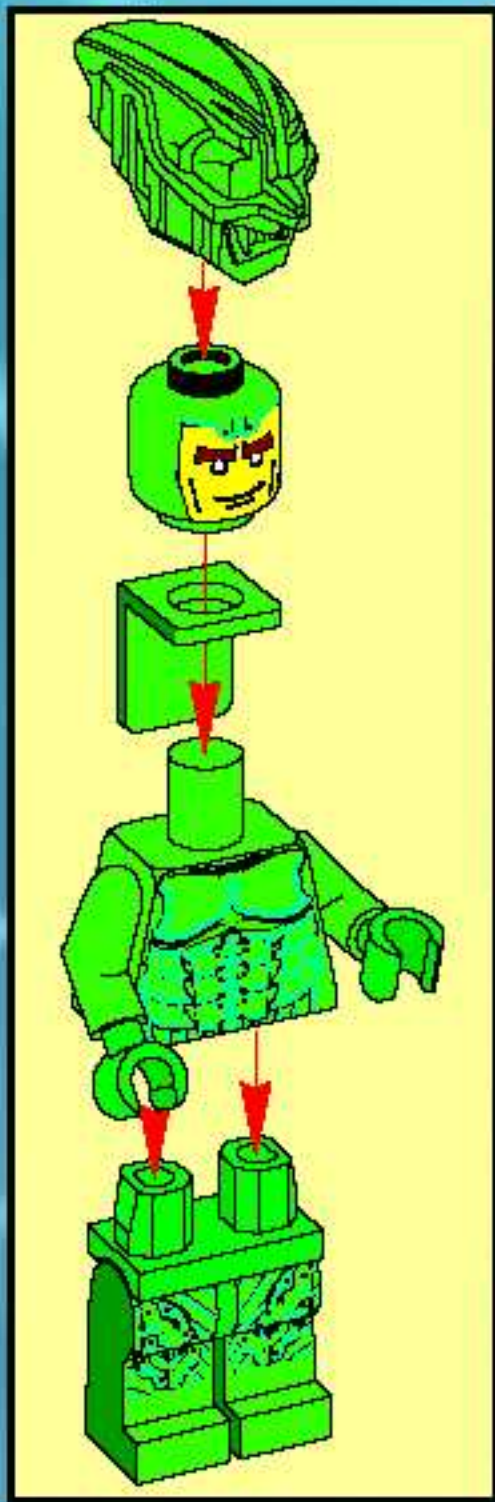
6-12

1374

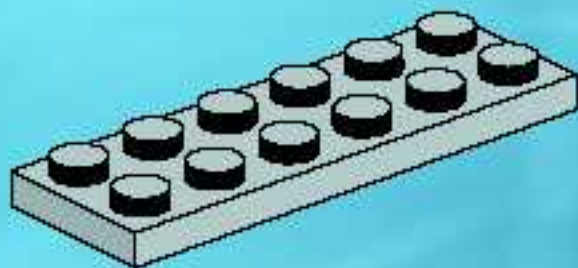
SPIDER-MAN



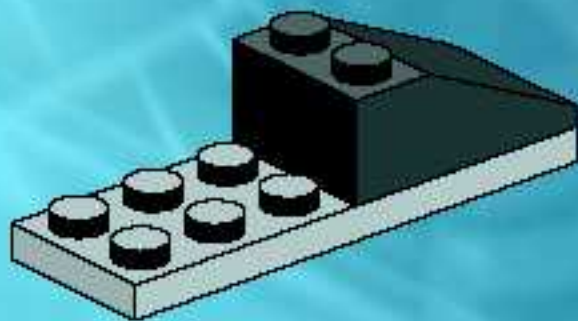
4201445

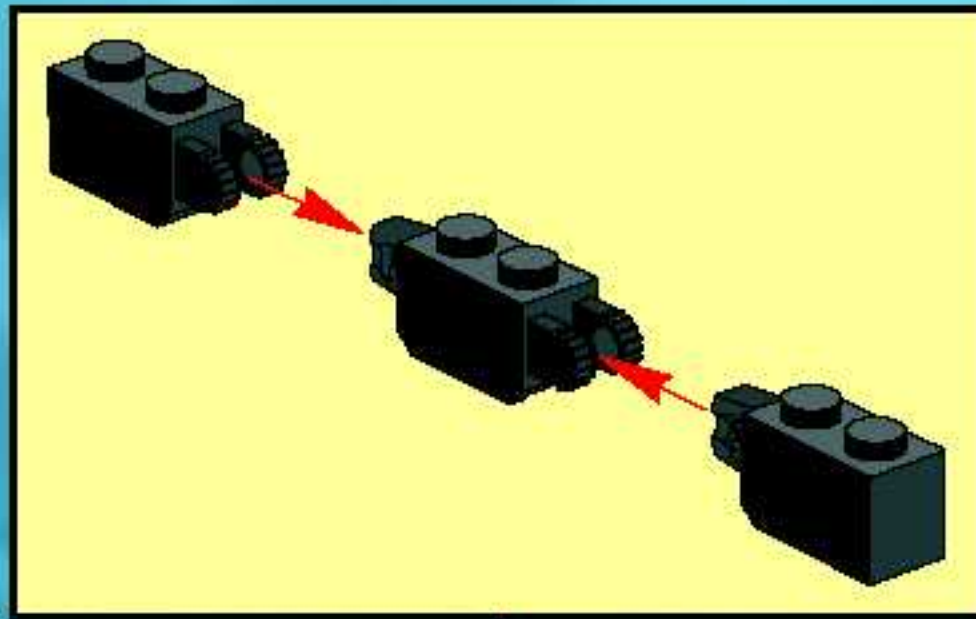


1

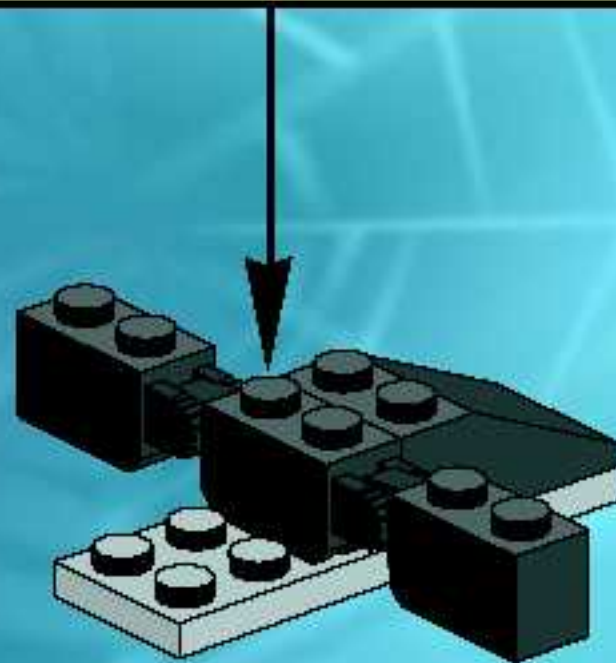


2

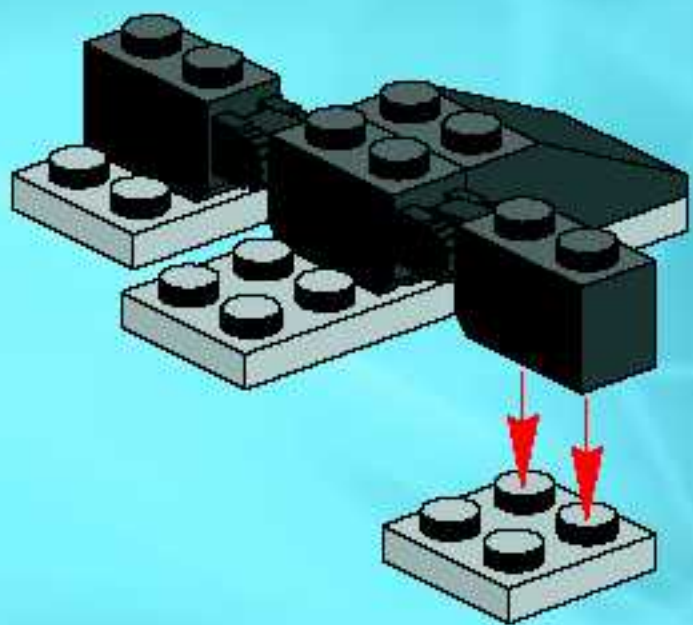




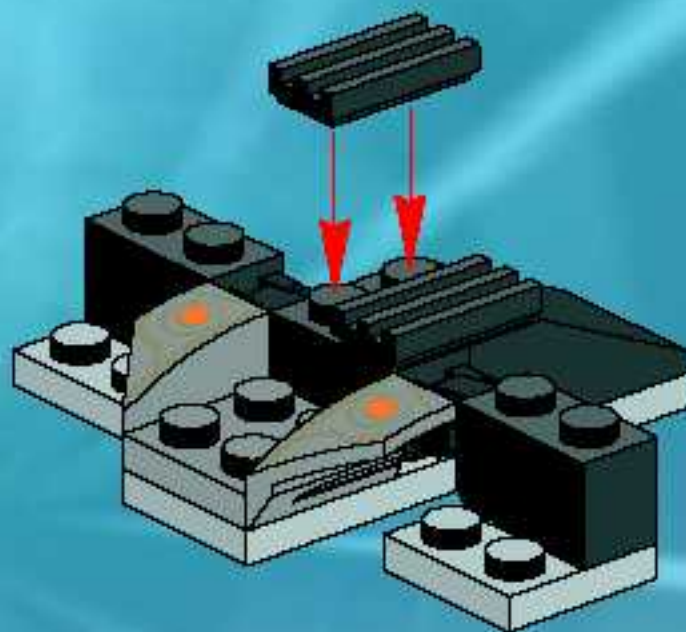
3



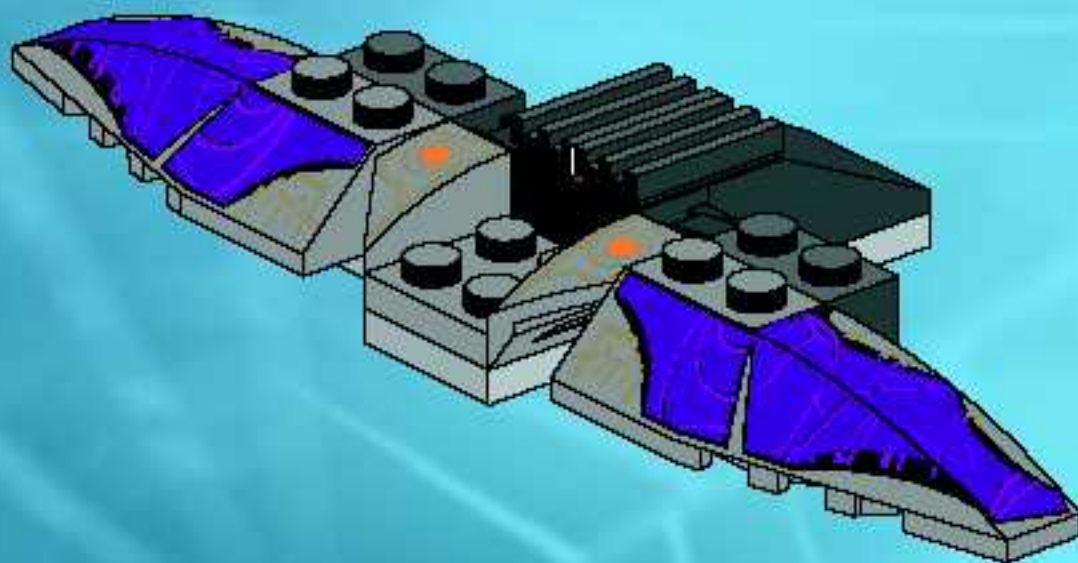
4



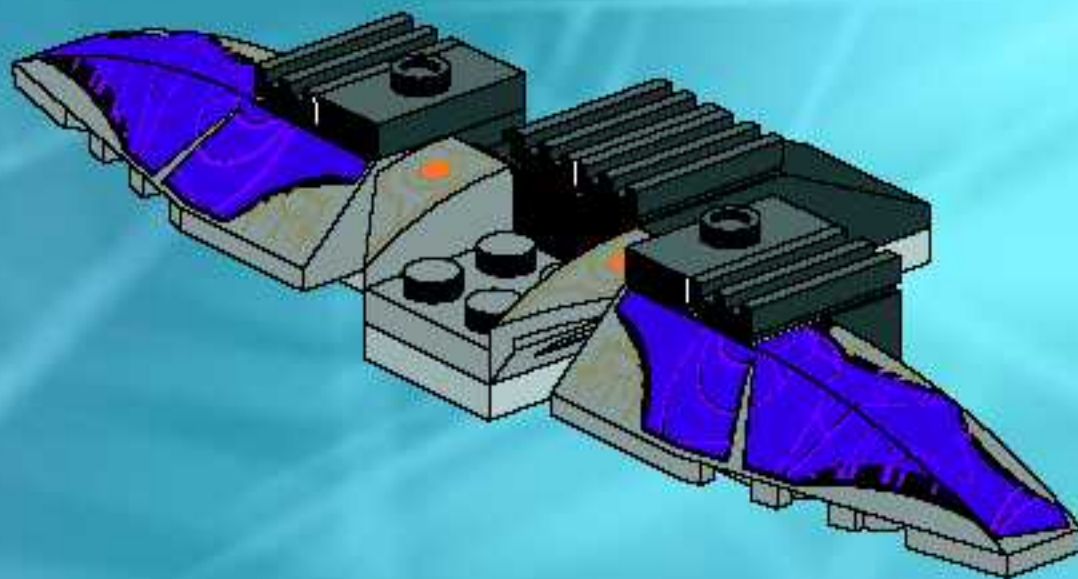
5



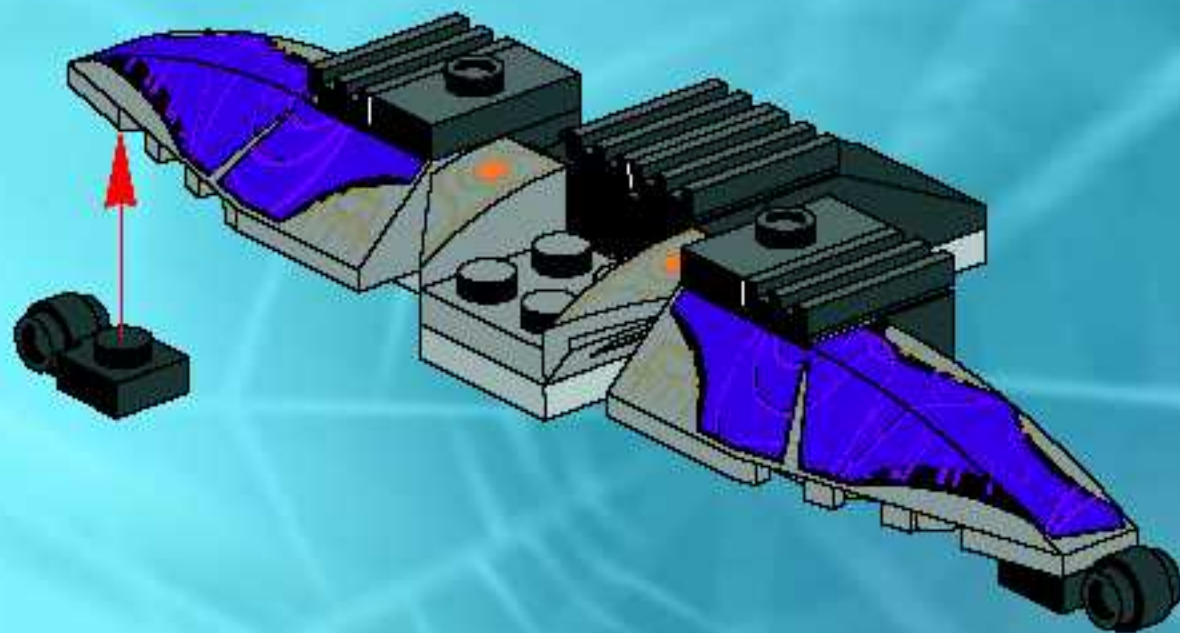
6



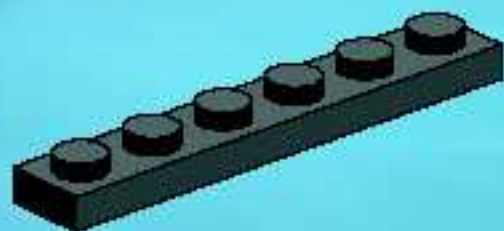
7



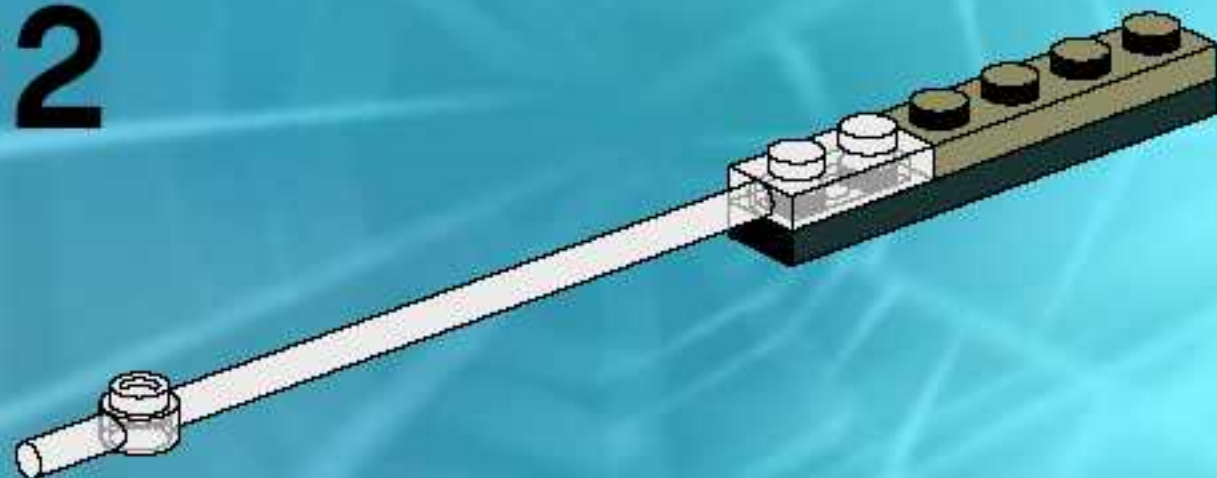
8



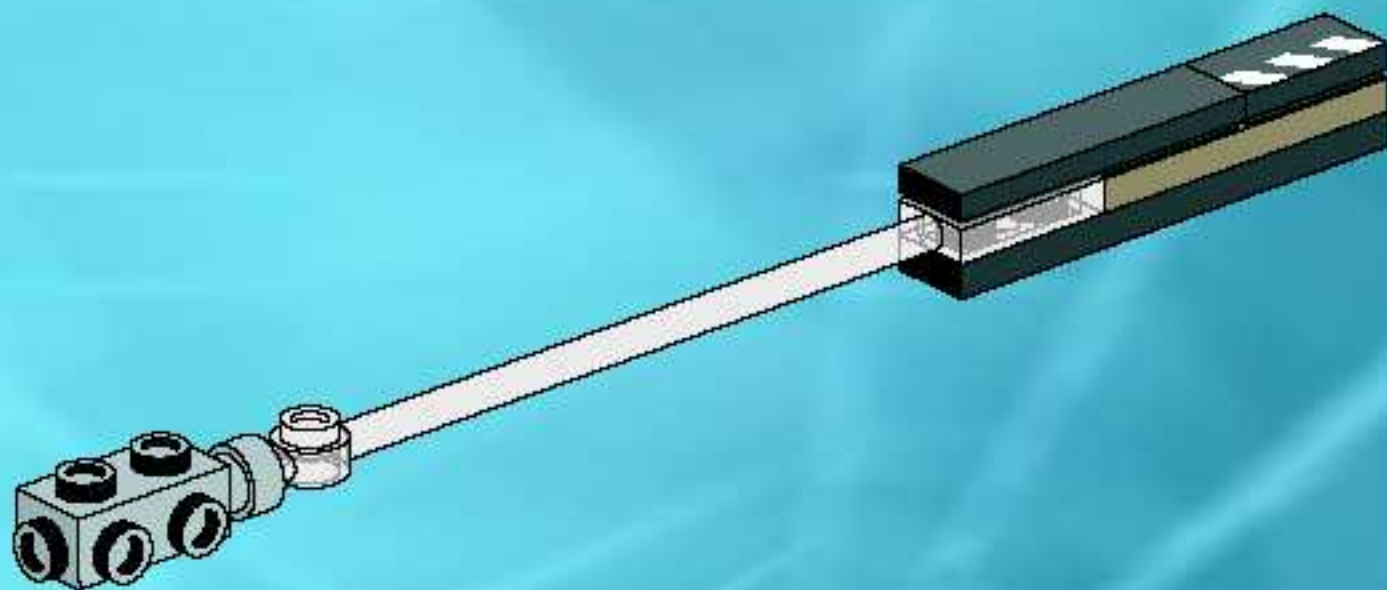
1



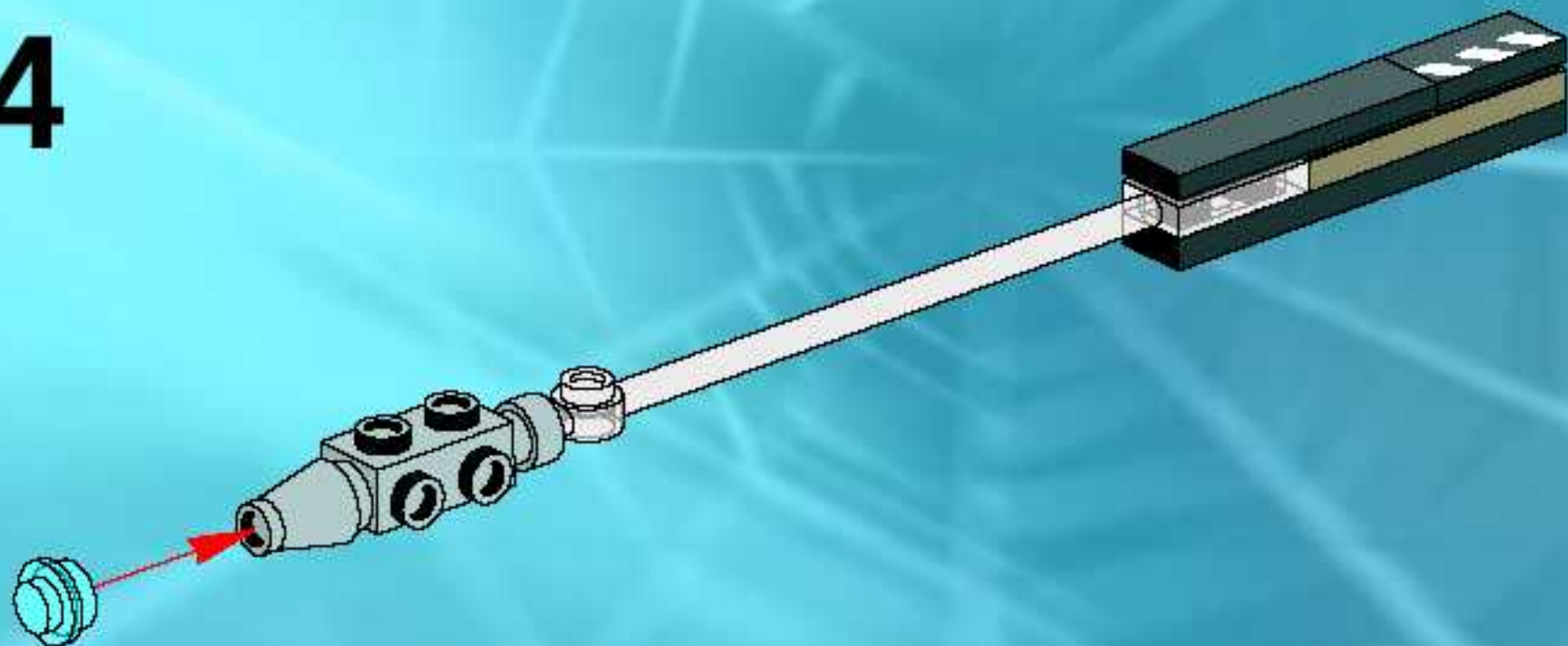
2



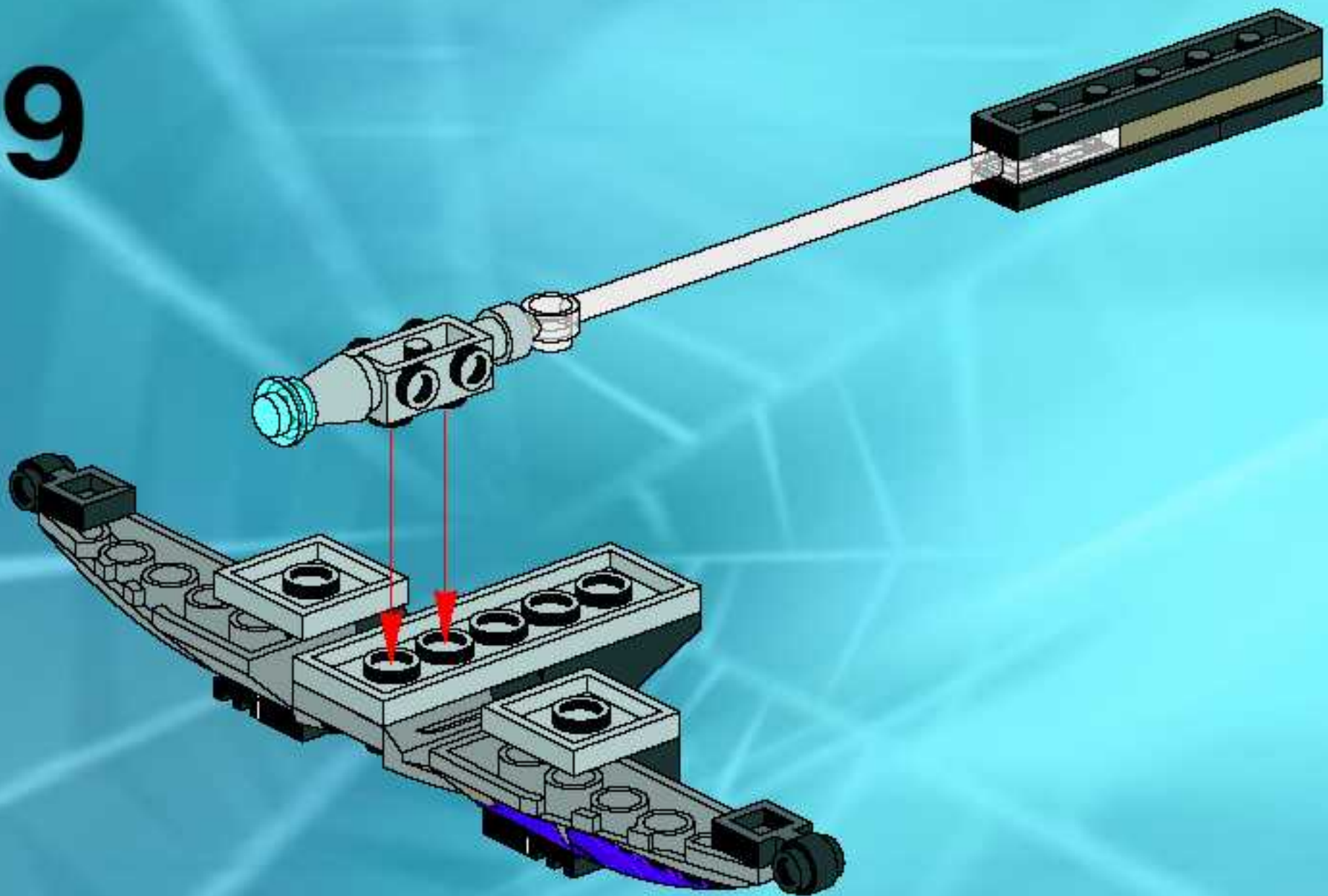
3



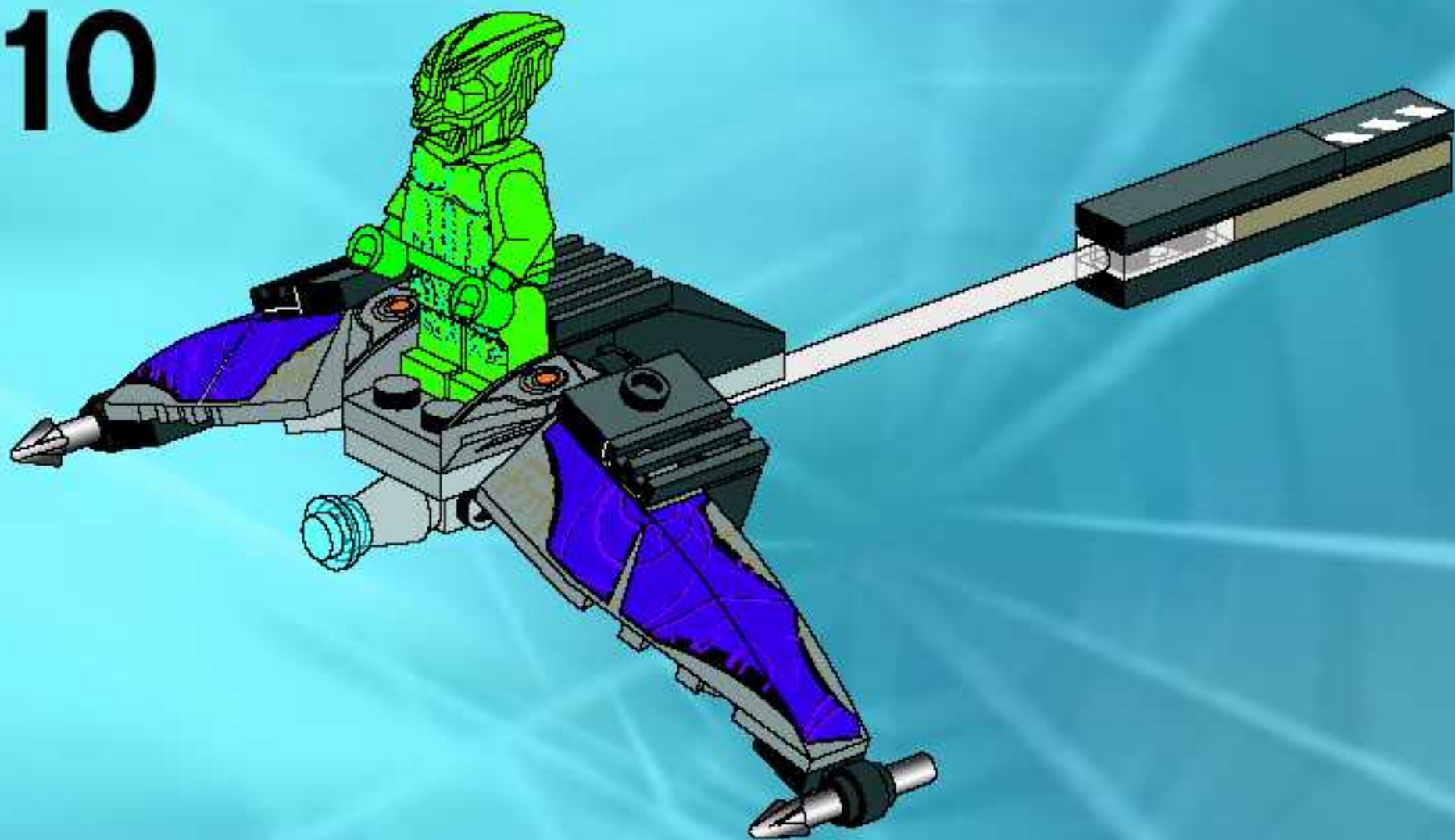
4



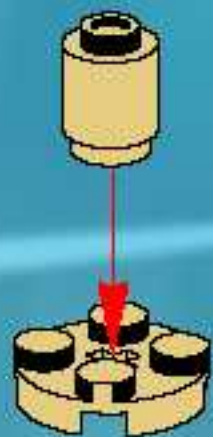
9



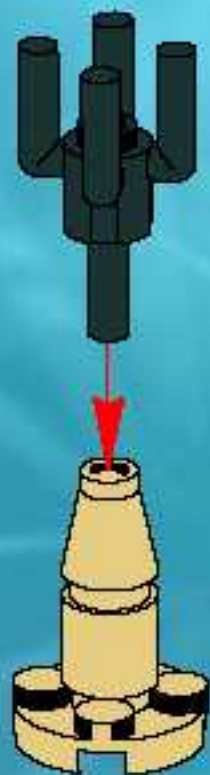
10



1



2



3

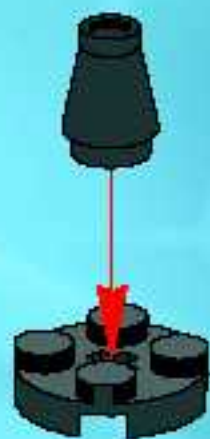


4



2x

1



2







4850



4851



4852



LEGO, the LEGO logo and the Minifigure are trademarks of/son des marques de commerce de/son marcas registradas de LEGO Group. ©2002, 2003 The LEGO Group.

Spider-Man, the movie/the film/the película: ©2003 Columbia Pictures Industries Inc. Spider-Man, the character/ le personnage/el personaje, TM & ©2003 Marvel Characters, Inc. All Rights Reserved/ Tout droits réservés/ Todos los derechos reservados.



GO FOR THE ULTIMATE SPOT
www.dorly.com/spider-man

