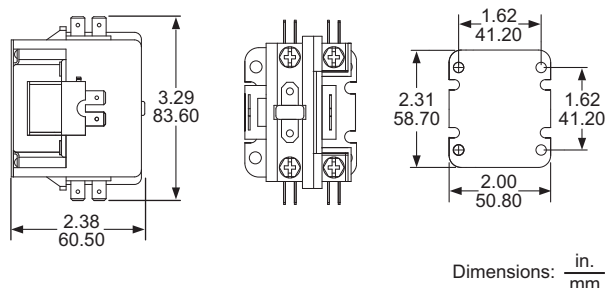
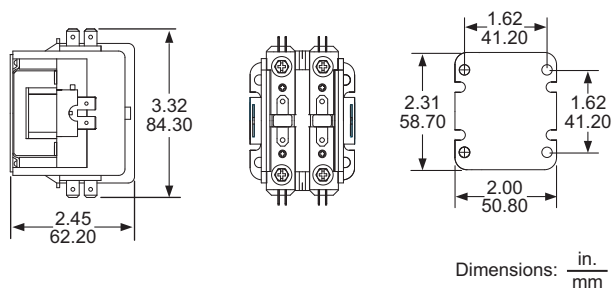


**Definite Purpose Control  
Contactors, Class 8910 Types DP and DPA**

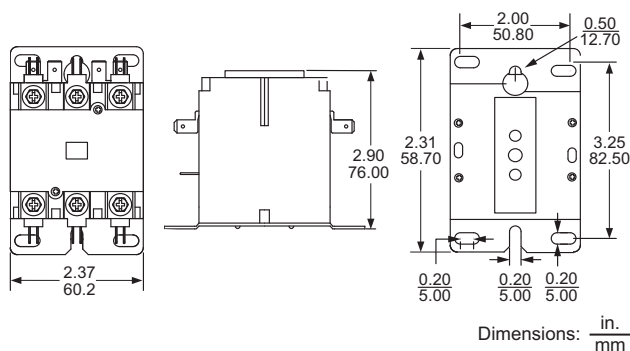
**Figure 3: Type DP, 1 Pole  
20–40 Full Load Amperes**



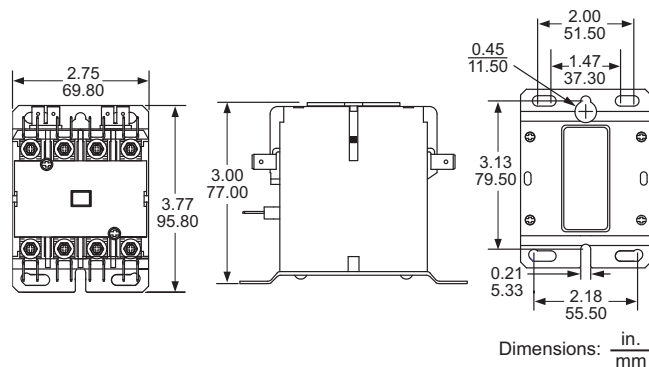
**Figure 4: Type DP, 2 Pole  
20–40 Full Load Amperes**



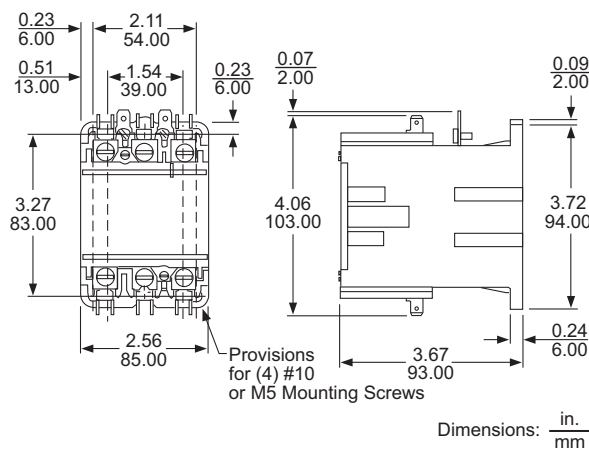
**Figure 5: Type DPA, 2 and 3 Pole  
20–40 Full Load Amperes**



**Figure 6: Type DPA, 4 Pole  
20–40 Full Load Amperes**



**Figure 7: Type DPA, 2 and 3 Pole  
50 and 60 Full Load Amperes**



**Figure 8: Type DPA, 2 and 3 Pole  
75 and 90 Full Load Amperes**

