



SPEC CPU®2017 Floating Point Rate Result

Copyright 2017-2023 Standard Performance Evaluation Corporation

Hewlett Packard Enterprise

(Test Sponsor: HPE)

ProLiant ML110 Gen11

(2.00 GHz, Intel Xeon Silver 4410Y)

SPECrate®2017_fp_base = 164

SPECrate®2017_fp_peak = 166

CPU2017 License: 3

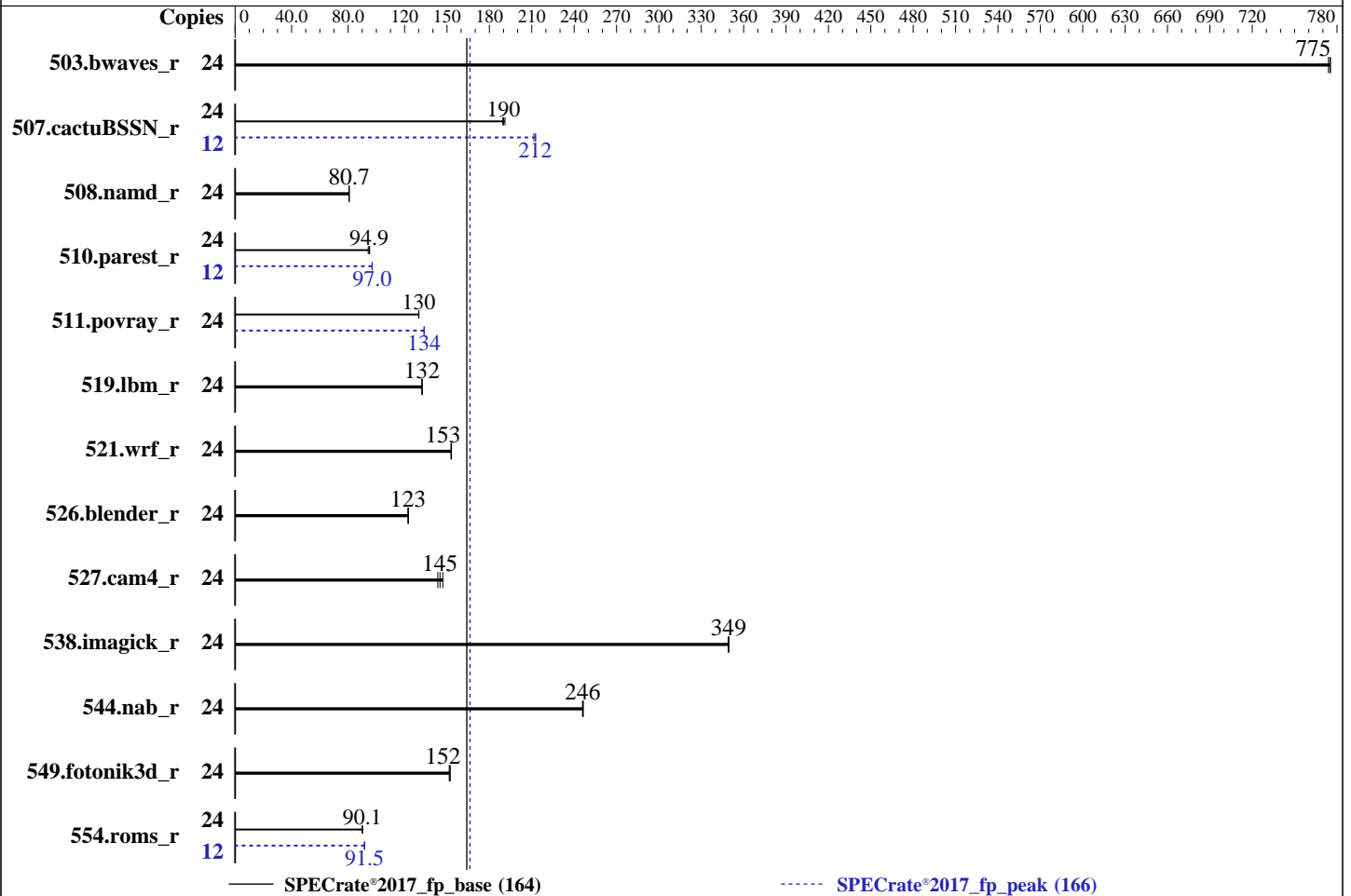
Test Sponsor: HPE

Tested by: HPE

Test Date: Apr-2023

Hardware Availability: May-2023

Software Availability: Dec-2022



Hardware

CPU Name: Intel Xeon Silver 4410Y
 Max MHz: 3900
 Nominal: 2000
 Enabled: 12 cores, 1 chip, 2 threads/core
 Orderable: 1 chip
 Cache L1: 32 KB I + 48 KB D on chip per core
 L2: 2 MB I+D on chip per core
 L3: 30 MB I+D on chip per chip
 Other: None
 Memory: 256 GB (8 x 32 GB 2Rx8 PC5-4800B-R, running at 4000)
 Storage: 1 x 240 GB SATA SSD
 Other: None

Software

OS: Red Hat Enterprise Linux 9.0 (Plow)
 5.14.0-70.13.1.el9_0.x86_64
 Compiler: C/C++: Version 2023.0 of Intel oneAPI DPC++/C++ Compiler for Linux;
 Fortran: Version 2023.0 of Intel Fortran Compiler for Linux;
 Parallel: No
 Firmware: HPE BIOS Version v1.30 03/01/2023 released Mar-2023
 File System: xfs
 System State: Run level 3 (multi-user)
 Base Pointers: 64-bit
 Peak Pointers: 64-bit
 Other: jemalloc memory allocator V5.0.1
 Power Management: BIOS and OS set to prefer performance at the cost of additional power usage



SPEC CPU®2017 Floating Point Rate Result

Copyright 2017-2023 Standard Performance Evaluation Corporation

Hewlett Packard Enterprise

(Test Sponsor: HPE)

ProLiant ML110 Gen11

(2.00 GHz, Intel Xeon Silver 4410Y)

SPECrate®2017_fp_base = 164

SPECrate®2017_fp_peak = 166

CPU2017 License: 3
Test Sponsor: HPE
Tested by: HPE

Test Date: Apr-2023
Hardware Availability: May-2023
Software Availability: Dec-2022

Results Table

Benchmark	Base							Peak						
	Copies	Seconds	Ratio	Seconds	Ratio	Seconds	Ratio	Copies	Seconds	Ratio	Seconds	Ratio	Seconds	Ratio
503.bwaves_r	24	311	774	311	775	310	775	24	311	774	311	775	310	775
507.cactuBSSN_r	24	159	191	160	190	160	190	12	71.8	211	71.4	213	71.5	212
508.namd_r	24	283	80.7	282	80.7	283	80.7	24	283	80.7	282	80.7	283	80.7
510.parest_r	24	659	95.3	666	94.2	661	94.9	12	324	97.0	324	97.0	324	97.0
511.povray_r	24	431	130	431	130	431	130	24	419	134	419	134	419	134
519.lbm_r	24	191	132	191	132	191	132	24	191	132	191	132	191	132
521.wrf_r	24	351	153	352	153	351	153	24	351	153	352	153	351	153
526.blender_r	24	298	123	299	122	298	123	24	298	123	299	122	298	123
527.cam4_r	24	292	144	289	145	285	147	24	292	144	289	145	285	147
538.imagick_r	24	171	350	171	349	171	349	24	171	350	171	349	171	349
544.nab_r	24	164	246	164	246	164	246	24	164	246	164	246	164	246
549.fotonik3d_r	24	617	152	615	152	614	152	24	617	152	615	152	614	152
554.roms_r	24	424	89.9	423	90.1	423	90.2	12	208	91.5	208	91.5	208	91.8

SPECrate®2017_fp_base = 164

SPECrate®2017_fp_peak = 166

Results appear in the order in which they were run. Bold underlined text indicates a median measurement.

Submit Notes

The taskset mechanism was used to bind copies to processors. The config file option 'submit' was used to generate taskset commands to bind each copy to a specific processor. For details, please see the config file.

Operating System Notes

```
Stack size set to unlimited using "ulimit -s unlimited"
Transparent Huge Pages enabled by default
Prior to runcpu invocation
Filesystem page cache synced and cleared with:
sync; echo 3> /proc/sys/vm/drop_caches
tuned-adm profile was set to throughput-performance using "tuned-adm profile throughput-performance"
perf-bias for all the CPUs is set using "cpupower set -b 0"
runcpu command invoked through numactl i.e.:
numactl --interleave=all runcpu <etc>
```

Environment Variables Notes

```
Environment variables set by runcpu before the start of the run:
LD_LIBRARY_PATH = "/home/cpu2017/lib/intel64:/home/cpu2017/je5.0.1-64"
MALLOCONF = "retain:true"
```

General Notes

Binaries compiled on a system with 2x Intel Xeon Platinum 8280M CPU + 384GB RAM
memory using Red Hat Enterprise Linux 8.4
NA: The test sponsor attests, as of date of publication, that CVE-2017-5754 (Meltdown)

(Continued on next page)



SPEC CPU®2017 Floating Point Rate Result

Copyright 2017-2023 Standard Performance Evaluation Corporation

Hewlett Packard Enterprise

(Test Sponsor: HPE)

ProLiant ML110 Gen11

(2.00 GHz, Intel Xeon Silver 4410Y)

SPECrate®2017_fp_base = 164

SPECrate®2017_fp_peak = 166

CPU2017 License: 3

Test Sponsor: HPE

Tested by: HPE

Test Date: Apr-2023

Hardware Availability: May-2023

Software Availability: Dec-2022

General Notes (Continued)

is mitigated in the system as tested and documented.

Yes: The test sponsor attests, as of date of publication, that CVE-2017-5753 (Spectre variant 1) is mitigated in the system as tested and documented.

Yes: The test sponsor attests, as of date of publication, that CVE-2017-5715 (Spectre variant 2) is mitigated in the system as tested and documented.

jemalloc, a general purpose malloc implementation

built with the RedHat Enterprise 7.5, and the system compiler gcc 4.8.5

sources available from jemalloc.net or <https://github.com/jemalloc/jemalloc/releases>

Platform Notes

The system ROM used for this result contains Intel microcode version 0x2b0001b0 for the Intel Xeon Silver 4410Y processor.

BIOS Configuration:

Workload Profile set to General Throughput Compute

Memory Patrol Scrubbing set to Disabled

Workload Profile set to Custom

Minimum Processor Idle Power Package C-State set to Package C6 (non-retention) State

DCU Stream Prefetcher set to Disabled

Adjacent Sector Prefetch set to Disabled

Last Level Cache (LLC) Dead Line Allocation set to Disabled

Enhanced Processor Performance Profile set to Aggressive

Thermal Configuration set to Maximum Cooling

Sysinfo program /home/cpu2017/bin/sysinfo

Rev: r6732 of 2022-11-07 fe91c89b7ed5c36ae2c92cc097bec197

running on localhost.localdomain Sun Apr 16 08:56:15 2023

SUT (System Under Test) info as seen by some common utilities.

Table of contents

1. uname -a
 2. w
 3. Username
 4. ulimit -a
 5. sysinfo process ancestry
 6. /proc/cpuinfo
 7. lscpu
 8. numactl --hardware
 9. /proc/meminfo
 10. who -r
 11. Systemd service manager version: systemd 250 (250-6.el9_0)
 12. Services, from systemctl list-unit-files
 13. Linux kernel boot-time arguments, from /proc/cmdline
 14. cpupower frequency-info
 15. tuned-adm active
 16. sysctl
 17. /sys/kernel/mm/transparent_hugepage
 18. /sys/kernel/mm/transparent_hugepage/khugepaged
 19. OS release
 20. Disk information
 21. /sys/devices/virtual/dmi/id
 22. dmidecode
 23. BIOS
- -----

(Continued on next page)



SPEC CPU®2017 Floating Point Rate Result

Copyright 2017-2023 Standard Performance Evaluation Corporation

Hewlett Packard Enterprise

(Test Sponsor: HPE)

ProLiant ML110 Gen11

(2.00 GHz, Intel Xeon Silver 4410Y)

SPECrate®2017_fp_base = 164

SPECrate®2017_fp_peak = 166

CPU2017 License: 3
Test Sponsor: HPE
Tested by: HPE

Test Date: Apr-2023
Hardware Availability: May-2023
Software Availability: Dec-2022

Platform Notes (Continued)

1. `uname -a`
Linux localhost.localdomain 5.14.0-70.13.1.el9_0.x86_64 #1 SMP PREEMPT Thu Apr 14 12:42:38 EDT 2022 x86_64 x86_64 x86_64 GNU/Linux

2. `w`
08:56:15 up 2 min, 0 users, load average: 0.08, 0.02, 0.00
USER TTY LOGIN@ IDLE JCPU PCPU WHAT

3. Username
From environment variable \$USER: root

4. `ulimit -a`
real-time non-blocking time (microseconds, -R) unlimited
core file size (blocks, -c) 0
data seg size (kbytes, -d) unlimited
scheduling priority (-e) 0
file size (blocks, -f) unlimited
pending signals (-i) 1029908
max locked memory (kbytes, -l) 64
max memory size (kbytes, -m) unlimited
open files (-n) 1024
pipe size (512 bytes, -p) 8
POSIX message queues (bytes, -q) 819200
real-time priority (-r) 0
stack size (kbytes, -s) unlimited
cpu time (seconds, -t) unlimited
max user processes (-u) 1029908
virtual memory (kbytes, -v) unlimited
file locks (-x) unlimited

5. `sysinfo process ancestry`
/usr/lib/systemd/systemd --switched-root --system --deserialize 18
sshd: /usr/sbin/sshd -D [listener] 0 of 10-100 startups
sshd: root [priv]
sshd: root@notty
bash -c cd \$SPEC/ && \$SPEC/fprate.sh
runcpu --nobuild --action validate --define default-platform-flags --define numcopies=24 -c ic2023.0-lin-sapphirerapids-rate-20221201.cfg --define smt-on --define cores=12 --define physicalfirst --define no-numa --tune base,peak -o all --define drop_caches fprate
runcpu --nobuild --action validate --define default-platform-flags --define numcopies=24 --configfile ic2023.0-lin-sapphirerapids-rate-20221201.cfg --define smt-on --define cores=12 --define physicalfirst --define no-numa --tune base,peak --output_format all --define drop_caches --nopower --runmode rate --tune base:peak --size refrate fprate --nopreenv --note-preenv --logfile \$SPEC/tmp/CPU2017.002/templogs/preenv.fprate.002.0.log --lognum 002.0 --from_runcpu 2
specperl \$SPEC/bin/sysinfo
\$SPEC = /home/cpu2017

6. `/proc/cpuinfo`
model name : Intel(R) Xeon(R) Silver 4410Y
vendor_id : GenuineIntel
cpu family : 6
model : 143
stepping : 8
microcode : 0x2b0001b0
bugs : spectre_v1 spectre_v2 spec_store_bypass swapgs

(Continued on next page)



SPEC CPU®2017 Floating Point Rate Result

Copyright 2017-2023 Standard Performance Evaluation Corporation

Hewlett Packard Enterprise

(Test Sponsor: HPE)

ProLiant ML110 Gen11

(2.00 GHz, Intel Xeon Silver 4410Y)

SPECrate®2017_fp_base = 164

SPECrate®2017_fp_peak = 166

CPU2017 License: 3
Test Sponsor: HPE
Tested by: HPE

Test Date: Apr-2023
Hardware Availability: May-2023
Software Availability: Dec-2022

Platform Notes (Continued)

```
cpu cores      : 12
siblings       : 24
1 physical ids (chips)
24 processors (hardware threads)
physical id 0: core ids 0-11
physical id 0: apicids 0-23
```

Caution: /proc/cpuinfo data regarding chips, cores, and threads is not necessarily reliable, especially for virtualized systems. Use the above data carefully.

7. lscpu

From lscpu from util-linux 2.37.4:

```
Architecture:          x86_64
CPU op-mode(s):        32-bit, 64-bit
Address sizes:         46 bits physical, 57 bits virtual
Byte Order:            Little Endian
CPU(s):                24
On-line CPU(s) list:   0-23
Vendor ID:             GenuineIntel
BIOS Vendor ID:       Intel(R) Corporation
Model name:            Intel(R) Xeon(R) Silver 4410Y
BIOS Model name:      Intel(R) Xeon(R) Silver 4410Y
CPU family:            6
Model:                 143
Thread(s) per core:    2
Core(s) per socket:    12
Socket(s):             1
Stepping:              8
BogoMIPS:              4000.00
Flags:                 fpu vme de pse tsc msr pae mce cx8 apic sep mtrr pge mca cmov pat pse36
                        clflush dts acpi mmx fxsr sse2 ss ht tm pbe syscall nx pdpe1gb rdtscp
                        lm constant_tsc art arch_perfmon pebs bts rep_good nopl xtopology
                        nonstop_tsc cpuid aperfmperf tsc_known_freq pni pclmulqdq dtes64 monitor
                        ds_cpl vmx smx est tm2 ssse3 sdbg fma cx16 xtpr pdcm pcid dca sse4_1
                        sse4_2 x2apic movbe popcnt tsc_deadline_timer aes xsave avx f16c rdrand
                        lahf_lm abm 3dnowprefetch cpuid_fault epb cat_l3 cat_l2 cdp_l3
                        invpcid_single cdp_l2 ssbd mba ibrs ibpb stibp ibrs_enhanced tpr_shadow
                        vnmi flexpriority ept vpid ept_ad fsgsbase tsc_adjust bmi1 avx2 smep bmi2
                        erms invpcid cqm rdt_a avx512f avx512dq rdseed adx smap avx512ifma
                        clflushopt clwb intel_pt avx512cd sha_ni avx512bw avx512vl xsaveopt xsavec
                        xgetbv1 xsaves cqm_llc cqm_occup_llc cqm_mbm_total cqm_mbm_local
                        split_lock_detect avx_vnni avx512_bf16 wbnoinvd dtherm ida arat pln pts
                        avx512vbmi umip pku ospke waitpkg avx512_vbmi2 gfni vaes vpclmulqdq
                        avx512_vnni avx512_bitalg tme avx512_vpopcntdq la57 rdpid bus_lock_detect
                        cldemote movdiri movdir64b enqcmd fsrm md_clear serialize tsxldtrk pconfig
                        arch_lbr avx512_fp16 amx_tile flush_lld arch_capabilities

Virtualization:        VT-x
L1d cache:             576 KiB (12 instances)
L1i cache:             384 KiB (12 instances)
L2 cache:              24 MiB (12 instances)
L3 cache:              30 MiB (1 instance)
NUMA node(s):         1
NUMA node0 CPU(s):    0-23
Vulnerability Itlb multihit: Not affected
Vulnerability L1tf:    Not affected
Vulnerability Mds:     Not affected
Vulnerability Meltdown: Not affected
Vulnerability Spec store bypass: Mitigation; Speculative Store Bypass disabled via prctl
Vulnerability Spectre v1: Mitigation; usercopy/swapgs barriers and __user pointer sanitization
```

(Continued on next page)



SPEC CPU®2017 Floating Point Rate Result

Copyright 2017-2023 Standard Performance Evaluation Corporation

Hewlett Packard Enterprise

(Test Sponsor: HPE)

ProLiant ML110 Gen11

(2.00 GHz, Intel Xeon Silver 4410Y)

SPECrate®2017_fp_base = 164

SPECrate®2017_fp_peak = 166

CPU2017 License: 3
Test Sponsor: HPE
Tested by: HPE

Test Date: Apr-2023
Hardware Availability: May-2023
Software Availability: Dec-2022

Platform Notes (Continued)

Vulnerability Spectre v2: Mitigation; Enhanced IBRS, IBPB conditional, RSB filling
Vulnerability Srbds: Not affected
Vulnerability Tsx async abort: Not affected

From `lscpu --cache:`

NAME	ONE-SIZE	ALL-SIZE	WAYS	TYPE	LEVEL	SETS	PHY-LINE	COHERENCY-SIZE
L1d	48K	576K	12	Data	1	64	1	64
L1i	32K	384K	8	Instruction	1	64	1	64
L2	2M	24M	16	Unified	2	2048	1	64
L3	30M	30M	15	Unified	3	32768	1	64

8. `numactl --hardware`

NOTE: a numactl 'node' might or might not correspond to a physical chip.
available: 1 nodes (0)
node 0 cpus: 0-23
node 0 size: 257516 MB
node 0 free: 256658 MB
node distances:
node 0
0: 10

9. `/proc/meminfo`

MemTotal: 263697392 kB

10. `who -r`

run-level 3 Apr 16 08:54

11. Systemd service manager version: `systemd 250 (250-6.el9_0)`

Default Target Status
multi-user running

12. Services, from `systemctl list-unit-files`

STATE	UNIT FILES
enabled	NetworkManager NetworkManager-dispatcher NetworkManager-wait-online auditd chronyd crond dbus-broker firewalld getty@ irqbalance kdump lvm2-monitor mdmonitor microcode nis-domainname rhsmcertd rsyslog selinux-autorelabel-mark sshd sssd systemd-network-generator tuned udisks2
enabled-runtime	systemd-remount-fs
disabled	blk-availability chrony-wait console-getty cpupower debug-shell kvm_stat man-db-restart-cache-update nftables powertop rdisc rhsm rhsm-facts rpmdb-rebuild serial-getty@ sshd-keygen@ systemd-boot-check-no-failures systemd-pstore systemd-sysext
indirect	sssd-autofs sssd-kcm sssd-nss sssd-pac sssd-pam sssd-ssh sssd-sudo

13. Linux kernel boot-time arguments, from `/proc/cmdline`

BOOT_IMAGE=(hd0,gpt2)/vmlinuz-5.14.0-70.13.1.el9_0.x86_64
root=/dev/mapper/rhel00-root
ro
resume=/dev/mapper/rhel00-swap
rd.lvm.lv=rhel00/root
rd.lvm.lv=rhel00/swap

14. `cpupower frequency-info`

analyzing CPU 0:

(Continued on next page)



SPEC CPU®2017 Floating Point Rate Result

Copyright 2017-2023 Standard Performance Evaluation Corporation

Hewlett Packard Enterprise

(Test Sponsor: HPE)

ProLiant ML110 Gen11

(2.00 GHz, Intel Xeon Silver 4410Y)

SPECrate®2017_fp_base = 164

SPECrate®2017_fp_peak = 166

CPU2017 License: 3

Test Sponsor: HPE

Tested by: HPE

Test Date: Apr-2023

Hardware Availability: May-2023

Software Availability: Dec-2022

Platform Notes (Continued)

Unable to determine current policy
boost state support:
Supported: yes
Active: yes

15. tuned-adm active
Current active profile: throughput-performance

16. sysctl
kernel.numa_balancing 0
kernel.randomize_va_space 2
vm.compaction_proactiveness 20
vm.dirty_background_bytes 0
vm.dirty_background_ratio 10
vm.dirty_bytes 0
vm.dirty_expire_centisecs 3000
vm.dirty_ratio 40
vm.dirty_writeback_centisecs 500
vm.dirtytime_expire_seconds 43200
vm.extfrag_threshold 500
vm.min_unmapped_ratio 1
vm.nr_hugepages 0
vm.nr_hugepages_mempolicy 0
vm.nr_overcommit_hugepages 0
vm.swappiness 10
vm.watermark_boost_factor 15000
vm.watermark_scale_factor 10
vm.zone_reclaim_mode 0

17. /sys/kernel/mm/transparent_hugepage
defrag always defer defer+madvice [madvice] never
enabled [always] madvice never
hpage_pmd_size 2097152
shmem_enabled always within_size advise [never] deny force

18. /sys/kernel/mm/transparent_hugepage/khugepaged
alloc_sleep_millisecs 60000
defrag 1
max_ptes_none 511
max_ptes_shared 256
max_ptes_swap 64
pages_to_scan 4096
scan_sleep_millisecs 10000

19. OS release
From /etc/*-release /etc/*-version
os-release Red Hat Enterprise Linux 9.0 (Plow)
redhat-release Red Hat Enterprise Linux release 9.0 (Plow)
system-release Red Hat Enterprise Linux release 9.0 (Plow)

20. Disk information
SPEC is set to: /home/cpu2017
Filesystem Type Size Used Avail Use% Mounted on
/dev/mapper/rhel00-home xfs 148G 52G 97G 35% /home

(Continued on next page)



SPEC CPU®2017 Floating Point Rate Result

Copyright 2017-2023 Standard Performance Evaluation Corporation

Hewlett Packard Enterprise

(Test Sponsor: HPE)

ProLiant ML110 Gen11

(2.00 GHz, Intel Xeon Silver 4410Y)

SPECrate®2017_fp_base = 164

SPECrate®2017_fp_peak = 166

CPU2017 License: 3
Test Sponsor: HPE
Tested by: HPE

Test Date: Apr-2023
Hardware Availability: May-2023
Software Availability: Dec-2022

Platform Notes (Continued)

21. /sys/devices/virtual/dmi/id
Vendor: HPE
Product: ProLiant ML110 Gen11
Product Family: ProLiant
Serial: CNX2230TMQ

22. dmidecode
Additional information from dmidecode 3.3 follows. WARNING: Use caution when you interpret this section. The 'dmidecode' program reads system data which is "intended to allow hardware to be accurately determined", but the intent may not be met, as there are frequent changes to hardware, firmware, and the "DMTF SMBIOS" standard.
Memory:
8x Hynix HMC88MEBRA113N 32 GB 2 rank 4800, configured at 4000

23. BIOS
(This section combines info from /sys/devices and dmidecode.)
BIOS Vendor: HPE
BIOS Version: 1.30
BIOS Date: 03/01/2023
BIOS Revision: 1.30
Firmware Revision: 1.10

Compiler Version Notes

=====
C | 519.lbm_r(base, peak) 538.imagick_r(base, peak) 544.nab_r(base, peak)

Intel(R) oneAPI DPC++/C++ Compiler for applications running on Intel(R) 64, Version 2023.0.0 Build 20221201
Copyright (C) 1985-2022 Intel Corporation. All rights reserved.

=====
C++ | 508.namd_r(base, peak) 510.parest_r(base, peak)

Intel(R) oneAPI DPC++/C++ Compiler for applications running on Intel(R) 64, Version 2023.0.0 Build 20221201
Copyright (C) 1985-2022 Intel Corporation. All rights reserved.

=====
C++, C | 511.povray_r(base, peak) 526.blender_r(base, peak)

Intel(R) oneAPI DPC++/C++ Compiler for applications running on Intel(R) 64, Version 2023.0.0 Build 20221201
Copyright (C) 1985-2022 Intel Corporation. All rights reserved.
Intel(R) oneAPI DPC++/C++ Compiler for applications running on Intel(R) 64, Version 2023.0.0 Build 20221201
Copyright (C) 1985-2022 Intel Corporation. All rights reserved.

=====
C++, C, Fortran | 507.cactuBSSN_r(base, peak)

Intel(R) oneAPI DPC++/C++ Compiler for applications running on Intel(R) 64, Version 2023.0.0 Build 20221201
Copyright (C) 1985-2022 Intel Corporation. All rights reserved.
Intel(R) oneAPI DPC++/C++ Compiler for applications running on Intel(R) 64, Version 2023.0.0 Build 20221201
Copyright (C) 1985-2022 Intel Corporation. All rights reserved.

(Continued on next page)



SPEC CPU®2017 Floating Point Rate Result

Copyright 2017-2023 Standard Performance Evaluation Corporation

Hewlett Packard Enterprise

(Test Sponsor: HPE)

ProLiant ML110 Gen11

(2.00 GHz, Intel Xeon Silver 4410Y)

SPECrate®2017_fp_base = 164

SPECrate®2017_fp_peak = 166

CPU2017 License: 3

Test Sponsor: HPE

Tested by: HPE

Test Date: Apr-2023

Hardware Availability: May-2023

Software Availability: Dec-2022

Compiler Version Notes (Continued)

Intel(R) Fortran Compiler for applications running on Intel(R) 64, Version 2023.0.0 Build 20221201
Copyright (C) 1985-2022 Intel Corporation. All rights reserved.

=====
Fortran | 503.bwaves_r(base, peak) 549.fotonik3d_r(base, peak) 554.roms_r(base, peak)
=====

Intel(R) Fortran Compiler for applications running on Intel(R) 64, Version 2023.0.0 Build 20221201
Copyright (C) 1985-2022 Intel Corporation. All rights reserved.

=====
Fortran, C | 521.wrf_r(base, peak) 527.cam4_r(base, peak)
=====

Intel(R) Fortran Compiler for applications running on Intel(R) 64, Version 2023.0.0 Build 20221201
Copyright (C) 1985-2022 Intel Corporation. All rights reserved.

Intel(R) oneAPI DPC++/C++ Compiler for applications running on Intel(R) 64, Version 2023.0.0 Build 20221201
Copyright (C) 1985-2022 Intel Corporation. All rights reserved.

Base Compiler Invocation

C benchmarks:

icx

C++ benchmarks:

icpx

Fortran benchmarks:

ifx

Benchmarks using both Fortran and C:

ifx icx

Benchmarks using both C and C++:

icpx icx

Benchmarks using Fortran, C, and C++:

icpx icx ifx

Base Portability Flags

503.bwaves_r: -DSPEC_LP64
507.cactuBSSN_r: -DSPEC_LP64
508.namd_r: -DSPEC_LP64
510.parest_r: -DSPEC_LP64
511.povray_r: -DSPEC_LP64

(Continued on next page)



SPEC CPU®2017 Floating Point Rate Result

Copyright 2017-2023 Standard Performance Evaluation Corporation

Hewlett Packard Enterprise

(Test Sponsor: HPE)

ProLiant ML110 Gen11

(2.00 GHz, Intel Xeon Silver 4410Y)

SPECrate®2017_fp_base = 164

SPECrate®2017_fp_peak = 166

CPU2017 License: 3

Test Sponsor: HPE

Tested by: HPE

Test Date: Apr-2023

Hardware Availability: May-2023

Software Availability: Dec-2022

Base Portability Flags (Continued)

```

519.lbm_r: -DSPEC_LP64
521.wrf_r: -DSPEC_LP64 -DSPEC_CASE_FLAG -convert big_endian
526.blender_r: -DSPEC_LP64 -DSPEC_LINUX -funsigned-char
527.cam4_r: -DSPEC_LP64 -DSPEC_CASE_FLAG
538.imagick_r: -DSPEC_LP64
544.nab_r: -DSPEC_LP64
549.fotonik3d_r: -DSPEC_LP64
554.roms_r: -DSPEC_LP64

```

Base Optimization Flags

C benchmarks:

```

-w -std=c11 -m64 -Wl,-z,muldefs -xsapphirerapids -Ofast -ffast-math
-flto -mfpmath=sse -funroll-loops -qopt-mem-layout-trans=4
-Wno-implicit-int -mprefer-vector-width=512 -ljemalloc
-L/usr/local/jemalloc64-5.0.1/lib

```

C++ benchmarks:

```

-w -std=c++14 -m64 -Wl,-z,muldefs -xsapphirerapids -Ofast
-ffast-math -flto -mfpmath=sse -funroll-loops
-qopt-mem-layout-trans=4 -mprefer-vector-width=512 -ljemalloc
-L/usr/local/jemalloc64-5.0.1/lib

```

Fortran benchmarks:

```

-w -m64 -Wl,-z,muldefs -xsapphirerapids -Ofast -ffast-math -flto
-mfpmath=sse -funroll-loops -qopt-mem-layout-trans=4
-nostandard-realloc-lhs -align array32byte -auto -ljemalloc
-L/usr/local/jemalloc64-5.0.1/lib

```

Benchmarks using both Fortran and C:

```

-w -m64 -std=c11 -Wl,-z,muldefs -xsapphirerapids -Ofast -ffast-math
-flto -mfpmath=sse -funroll-loops -qopt-mem-layout-trans=4
-Wno-implicit-int -mprefer-vector-width=512 -nostandard-realloc-lhs
-align array32byte -auto -ljemalloc -L/usr/local/jemalloc64-5.0.1/lib

```

Benchmarks using both C and C++:

```

-w -std=c++14 -m64 -std=c11 -Wl,-z,muldefs -xsapphirerapids -Ofast
-ffast-math -flto -mfpmath=sse -funroll-loops
-qopt-mem-layout-trans=4 -Wno-implicit-int -mprefer-vector-width=512
-ljemalloc -L/usr/local/jemalloc64-5.0.1/lib

```

Benchmarks using Fortran, C, and C++:

```

-w -m64 -std=c++14 -std=c11 -Wl,-z,muldefs -xsapphirerapids -Ofast
-ffast-math -flto -mfpmath=sse -funroll-loops

```

(Continued on next page)



SPEC CPU®2017 Floating Point Rate Result

Copyright 2017-2023 Standard Performance Evaluation Corporation

Hewlett Packard Enterprise

(Test Sponsor: HPE)

ProLiant ML110 Gen11

(2.00 GHz, Intel Xeon Silver 4410Y)

SPECrate®2017_fp_base = 164

SPECrate®2017_fp_peak = 166

CPU2017 License: 3

Test Sponsor: HPE

Tested by: HPE

Test Date: Apr-2023

Hardware Availability: May-2023

Software Availability: Dec-2022

Base Optimization Flags (Continued)

Benchmarks using Fortran, C, and C++ (continued):

```
-qopt-mem-layout-trans=4 -Wno-implicit-int -mprefer-vector-width=512
-nostandard-realloc-lhs -align array32byte -auto -ljemalloc
-L/usr/local/jemalloc64-5.0.1/lib
```

Peak Compiler Invocation

C benchmarks:

icx

C++ benchmarks:

icpx

Fortran benchmarks:

ifx

Benchmarks using both Fortran and C:

ifx icx

Benchmarks using both C and C++:

icpx icx

Benchmarks using Fortran, C, and C++:

icpx icx ifx

Peak Portability Flags

Same as Base Portability Flags

Peak Optimization Flags

C benchmarks:

519.lbm_r: basepeak = yes

538.imagick_r: basepeak = yes

544.nab_r: basepeak = yes

(Continued on next page)



SPEC CPU®2017 Floating Point Rate Result

Copyright 2017-2023 Standard Performance Evaluation Corporation

Hewlett Packard Enterprise

(Test Sponsor: HPE)

ProLiant ML110 Gen11

(2.00 GHz, Intel Xeon Silver 4410Y)

SPECrate®2017_fp_base = 164

SPECrate®2017_fp_peak = 166

CPU2017 License: 3

Test Sponsor: HPE

Tested by: HPE

Test Date: Apr-2023

Hardware Availability: May-2023

Software Availability: Dec-2022

Peak Optimization Flags (Continued)

C++ benchmarks:

508.namd_r: basepeak = yes

```
510.parest_r: -w -std=c++14 -m64 -Wl,-z,muldefs -xsapfirerapids
-Ofast -ffast-math -flto -mfpmath=sse -funroll-loops
-qopt-mem-layout-trans=4 -mprefer-vector-width=512
-ljemalloc -L/usr/local/jemalloc64-5.0.1/lib
```

Fortran benchmarks:

503.bwaves_r: basepeak = yes

549.fotonik3d_r: basepeak = yes

```
554.roms_r: -w -m64 -Wl,-z,muldefs -xsapfirerapids -Ofast
-ffast-math -flto -mfpmath=sse -funroll-loops
-qopt-mem-layout-trans=4 -nostandard-realloc-lhs
-align array32byte -auto -ljemalloc
-L/usr/local/jemalloc64-5.0.1/lib
```

Benchmarks using both Fortran and C:

521.wrf_r: basepeak = yes

527.cam4_r: basepeak = yes

Benchmarks using both C and C++:

```
511.povray_r: -w -std=c++14 -m64 -std=c11 -Wl,-z,muldefs
-fprofile-generate(pass 1)
-fprofile-use=default.profddata(pass 2) -xCORE-AVX2(pass 1)
-flto -Ofast -xCORE-AVX512 -ffast-math -mfpmath=sse
-funroll-loops -qopt-mem-layout-trans=4 -Wno-implicit-int
-mprefer-vector-width=512 -ljemalloc
-L/usr/local/jemalloc64-5.0.1/lib
```

526.blender_r: basepeak = yes

Benchmarks using Fortran, C, and C++:

```
-w -m64 -std=c++14 -std=c11 -Wl,-z,muldefs -xsapfirerapids -Ofast
-ffast-math -flto -mfpmath=sse -funroll-loops
-qopt-mem-layout-trans=4 -Wno-implicit-int -mprefer-vector-width=512
-nostandard-realloc-lhs -align array32byte -auto -ljemalloc
-L/usr/local/jemalloc64-5.0.1/lib
```



SPEC CPU®2017 Floating Point Rate Result

Copyright 2017-2023 Standard Performance Evaluation Corporation

Hewlett Packard Enterprise

(Test Sponsor: HPE)

ProLiant ML110 Gen11

(2.00 GHz, Intel Xeon Silver 4410Y)

SPECrate®2017_fp_base = 164

SPECrate®2017_fp_peak = 166

CPU2017 License: 3

Test Sponsor: HPE

Tested by: HPE

Test Date: Apr-2023

Hardware Availability: May-2023

Software Availability: Dec-2022

The flags files that were used to format this result can be browsed at

<http://www.spec.org/cpu2017/flags/HPE-Platform-Flags-Intel-SPR-rev1.2.html>

<http://www.spec.org/cpu2017/flags/Intel-ic2023-official-linux64.html>

You can also download the XML flags sources by saving the following links:

<http://www.spec.org/cpu2017/flags/HPE-Platform-Flags-Intel-SPR-rev1.2.xml>

<http://www.spec.org/cpu2017/flags/Intel-ic2023-official-linux64.xml>

SPEC CPU and SPECrate are registered trademarks of the Standard Performance Evaluation Corporation. All other brand and product names appearing in this result are trademarks or registered trademarks of their respective holders.

For questions about this result, please contact the tester. For other inquiries, please contact info@spec.org.

Tested with SPEC CPU®2017 v1.1.9 on 2023-04-15 23:26:15-0400.

Report generated on 2023-05-09 16:03:38 by CPU2017 PDF formatter v6716.

Originally published on 2023-05-09.