



SPEC CPU®2017 Floating Point Rate Result

Copyright 2017-2023 Standard Performance Evaluation Corporation

Dell Inc.

SPECrate®2017_fp_base = 256

PowerEdge R760xd2 (Intel Xeon Gold 5411N)

SPECrate®2017_fp_peak = 266

CPU2017 License: 6573

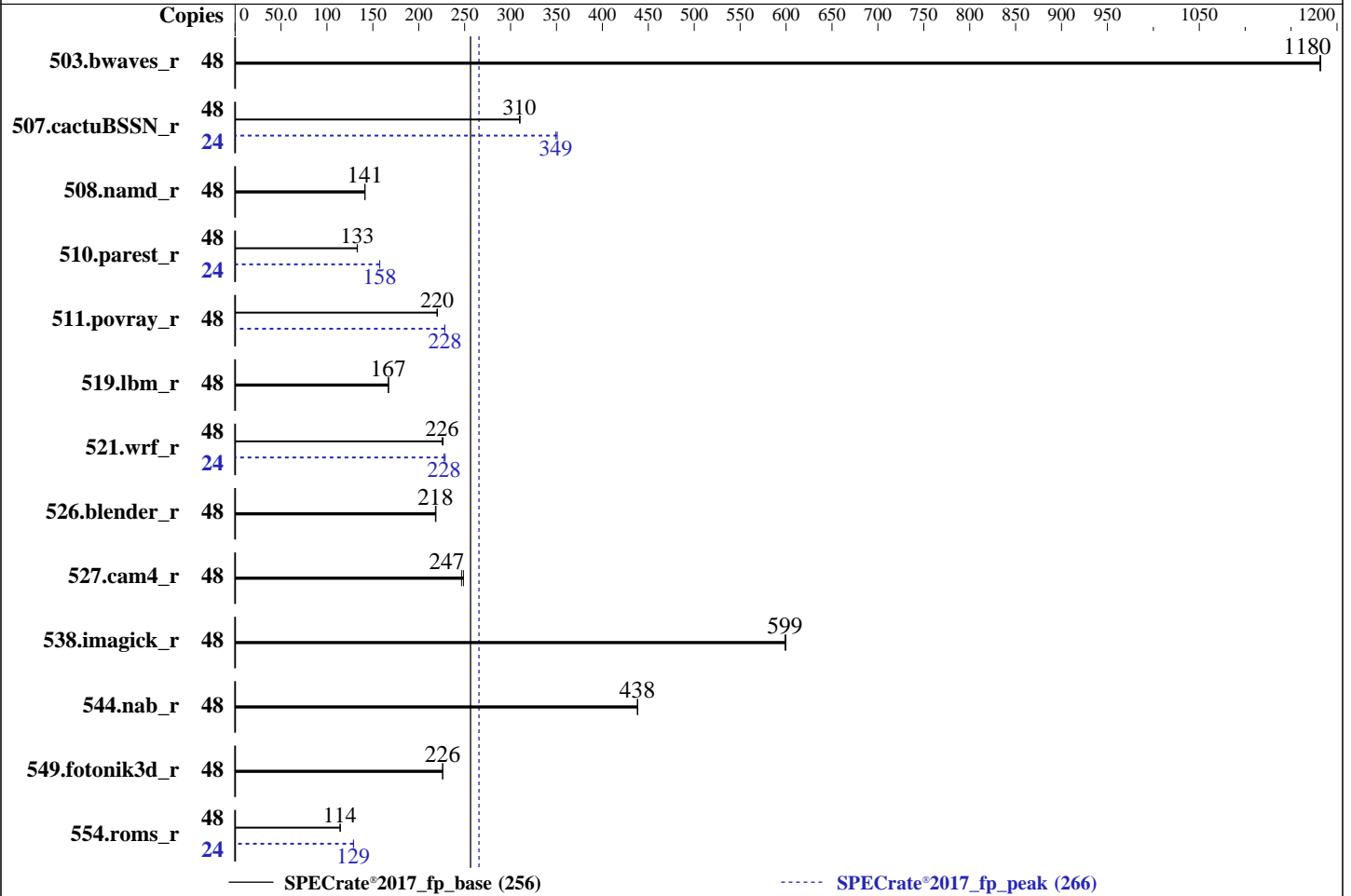
Test Date: Mar-2023

Test Sponsor: Dell Inc.

Hardware Availability: Mar-2023

Tested by: Dell Inc.

Software Availability: Dec-2022



Hardware

CPU Name: Intel Xeon Gold 5411N
 Max MHz: 3900
 Nominal: 1900
 Enabled: 24 cores, 1 chip, 2 threads/core
 Orderable: 1 chip
 Cache L1: 32 KB I + 48 KB D on chip per core
 L2: 2 MB I+D on chip per core
 L3: 45 MB I+D on chip per chip
 Other: None
 Memory: 512 GB (8 x 64 GB 2Rx4 PC5-4800B-R, running at 4400)
 Storage: 125 GB on tmpfs
 Other: None

Software

OS: SUSE Linux Enterprise Server 15 SP4 5.14.21-150400.22-default
 Compiler: C/C++: Version 2023.0 of Intel oneAPI DPC++/C++ Compiler for Linux;
 Fortran: Version 2023.0 of Intel Fortran Compiler for Linux;
 Parallel: No
 Firmware: Version 1.0.1 released Mar-2023
 File System: tmpfs
 System State: Run level 3 (multi-user)
 Base Pointers: 64-bit
 Peak Pointers: 64-bit
 Other: jemalloc memory allocator V5.0.1
 Power Management: BIOS and OS set to prefer performance at the cost of additional power usage.



SPEC CPU®2017 Floating Point Rate Result

Copyright 2017-2023 Standard Performance Evaluation Corporation

Dell Inc.

SPECrate®2017_fp_base = 256

PowerEdge R760xd2 (Intel Xeon Gold 5411N)

SPECrate®2017_fp_peak = 266

CPU2017 License: 6573
Test Sponsor: Dell Inc.
Tested by: Dell Inc.

Test Date: Mar-2023
Hardware Availability: Mar-2023
Software Availability: Dec-2022

Results Table

Benchmark	Base							Peak						
	Copies	Seconds	Ratio	Seconds	Ratio	Seconds	Ratio	Copies	Seconds	Ratio	Seconds	Ratio	Seconds	Ratio
503.bwaves_r	48	407	1180	<u>407</u>	<u>1180</u>			48	407	1180	<u>407</u>	<u>1180</u>		
507.cactuBSSN_r	48	196	310	<u>196</u>	<u>310</u>			24	<u>87.0</u>	<u>349</u>	86.6	351		
508.namd_r	48	<u>322</u>	<u>141</u>	322	141			48	<u>322</u>	<u>141</u>	322	141		
510.parest_r	48	<u>945</u>	<u>133</u>	943	133			24	399	158	<u>399</u>	<u>158</u>		
511.povray_r	48	509	220	<u>510</u>	<u>220</u>			48	<u>491</u>	<u>228</u>	491	228		
519.lbm_r	48	303	167	<u>303</u>	<u>167</u>			48	303	167	<u>303</u>	<u>167</u>		
521.wrf_r	48	<u>477</u>	<u>226</u>	475	227			24	235	229	<u>236</u>	<u>228</u>		
526.blender_r	48	334	219	<u>335</u>	<u>218</u>			48	334	219	<u>335</u>	<u>218</u>		
527.cam4_r	48	338	249	<u>340</u>	<u>247</u>			48	338	249	<u>340</u>	<u>247</u>		
538.imagick_r	48	<u>199</u>	<u>599</u>	199	600			48	<u>199</u>	<u>599</u>	199	600		
544.nab_r	48	<u>184</u>	<u>438</u>	184	438			48	<u>184</u>	<u>438</u>	184	438		
549.fotonik3d_r	48	827	226	<u>828</u>	<u>226</u>			48	827	226	<u>828</u>	<u>226</u>		
554.roms_r	48	665	115	<u>668</u>	<u>114</u>			24	295	129	<u>296</u>	<u>129</u>		

SPECrate®2017_fp_base = **256**

SPECrate®2017_fp_peak = **266**

Results appear in the order in which they were run. Bold underlined text indicates a median measurement.

Submit Notes

The numactl mechanism was used to bind copies to processors. The config file option 'submit' was used to generate numactl commands to bind each copy to a specific processor. For details, please see the config file.

Operating System Notes

Stack size set to unlimited using "ulimit -s unlimited"

Environment Variables Notes

Environment variables set by runcpu before the start of the run:

```
LD_LIBRARY_PATH =
"/mnt/ramdisk/cpu2017-1.1.9-ic2023.0-v4.3.2b/lib/intel64:/mnt/ramdisk/cpu2017-1.1.9-ic2023.0-v4.3.2b/j
e5.0.1-64"
MALLOCONF = "retain:true"
```

General Notes

Binaries compiled on a system with 2x Intel Xeon Platinum 8280M CPU + 384GB RAM
memory using Red Hat Enterprise Linux 8.4
Transparent Huge Pages enabled by default
Prior to runcpu invocation
Filesystem page cache synced and cleared with:
sync; echo 3> /proc/sys/vm/drop_caches
runcpu command invoked through numactl i.e.:
numactl --interleave=all runcpu <etc>

(Continued on next page)



SPEC CPU®2017 Floating Point Rate Result

Copyright 2017-2023 Standard Performance Evaluation Corporation

Dell Inc.

SPECrate®2017_fp_base = 256

PowerEdge R760xd2 (Intel Xeon Gold 5411N)

SPECrate®2017_fp_peak = 266

CPU2017 License: 6573

Test Sponsor: Dell Inc.

Tested by: Dell Inc.

Test Date: Mar-2023

Hardware Availability: Mar-2023

Software Availability: Dec-2022

General Notes (Continued)

jemalloc, a general purpose malloc implementation
built with the RedHat Enterprise 7.5, and the system compiler gcc 4.8.5
sources available from jemalloc.net or <https://github.com/jemalloc/jemalloc/releases>

NA: The test sponsor attests, as of date of publication, that CVE-2017-5754 (Meltdown) is mitigated in the system as tested and documented.

Yes: The test sponsor attests, as of date of publication, that CVE-2017-5753 (Spectre variant 1) is mitigated in the system as tested and documented.

Yes: The test sponsor attests, as of date of publication, that CVE-2017-5715 (Spectre variant 2) is mitigated in the system as tested and documented.

Benchmark run from a 125 GB ramdisk created with the cmd: "mount -t tmpfs -o size=125G tmpfs /mnt/ramdisk"

Platform Notes

BIOS settings:

```

      ADDDC Setting : Disabled
      DIMM Self Healing on
      Uncorrectable Memory Error : Disabled
      Virtualization Technology : Disabled
      DCU Streamer Prefetcher : Disabled
      Sub NUMA Cluster : 2-way Clustering
      LLC Prefetch : Disabled
      Dead Line LLC Alloc : Disabled

      System Profile : Custom
      CPU Power Management : Maximum Performance
      C1E : Disabled
      C States : Autonomous
      Memory Patrol Scrub : Disabled
      Energy Efficiency Policy : Performance
      PCI ASPM L1 Link
      Power Management : Disabled

```

Sysinfo program /mnt/ramdisk/cpu2017-1.1.9-ic2023.0-v4.3.2b/bin/sysinfo
Rev: r6732 of 2022-11-07 fe91c89b7ed5c36ae2c92cc097bec197
running on localhost Wed Mar 22 18:48:45 2023

SUT (System Under Test) info as seen by some common utilities.

Table of contents

1. uname -a
2. w
3. Username
4. ulimit -a
5. sysinfo process ancestry
6. /proc/cpuinfo
7. lscpu
8. numactl --hardware
9. /proc/meminfo
10. who -r
11. Systemd service manager version: systemd 249 (249.11+suse.124.g2bc0b2c447)
12. Services, from systemctl list-unit-files
13. Linux kernel boot-time arguments, from /proc/cmdline
14. cpupower frequency-info
15. sysctl

(Continued on next page)



SPEC CPU®2017 Floating Point Rate Result

Copyright 2017-2023 Standard Performance Evaluation Corporation

Dell Inc.

SPECrate®2017_fp_base = 256

PowerEdge R760xd2 (Intel Xeon Gold 5411N)

SPECrate®2017_fp_peak = 266

CPU2017 License: 6573

Test Sponsor: Dell Inc.

Tested by: Dell Inc.

Test Date: Mar-2023

Hardware Availability: Mar-2023

Software Availability: Dec-2022

Platform Notes (Continued)

- 16. /sys/kernel/mm/transparent_hugepage
- 17. /sys/kernel/mm/transparent_hugepage/khugepaged
- 18. OS release
- 19. Disk information
- 20. /sys/devices/virtual/dmi/id
- 21. dmidecode
- 22. BIOS

```
1. uname -a
Linux localhost 5.14.21-150400.22-default #1 SMP PREEMPT_DYNAMIC Wed May 11 06:57:18 UTC 2022 (49db222/lp)
x86_64 x86_64 x86_64 GNU/Linux
```

```
2. w
18:48:45 up 4:20, 1 user, load average: 32.64, 44.43, 46.61
USER TTY FROM LOGIN@ IDLE JCPU PCPU WHAT
root tty1 - 14:29 4:17m 1.29s 0.00s /bin/bash ./dell-run-specrate.sh
--iterations 2 --output_format csv,html,pdf,txt -define Dell-BIOS-inc=Dell-BIOS_Xeon-4.inc
```

```
3. Username
From environment variable $USER: root
```

```
4. ulimit -a
core file size (blocks, -c) unlimited
data seg size (kbytes, -d) unlimited
scheduling priority (-e) 0
file size (blocks, -f) unlimited
pending signals (-i) 2061827
max locked memory (kbytes, -l) 64
max memory size (kbytes, -m) unlimited
open files (-n) 1024
pipe size (512 bytes, -p) 8
POSIX message queues (bytes, -q) 819200
real-time priority (-r) 0
stack size (kbytes, -s) unlimited
cpu time (seconds, -t) unlimited
max user processes (-u) 2061827
virtual memory (kbytes, -v) unlimited
file locks (-x) unlimited
```

```
5. sysinfo process ancestry
/usr/lib/systemd/systemd --switched-root --system --deserialize 30
login -- root
-bash
/bin/bash ./DELL_rate.sh
/bin/bash ./dell-run-main.sh rate
/bin/bash ./dell-run-main.sh rate
/bin/bash ./dell-run-specrate.sh --iterations 2 --output_format csv,html,pdf,txt -define
Dell-BIOS-inc=Dell-BIOS_Xeon-4.inc
/bin/bash ./dell-run-specrate.sh --iterations 2 --output_format csv,html,pdf,txt -define
Dell-BIOS-inc=Dell-BIOS_Xeon-4.inc
runcpu --nobuild --action validate --define default-platform-flags --define numcopies=48 -c
ic2023.0-lin-sapphirerapids-rate-20221201.cfg --define smt-on --define cores=24 --define physicalfirst
--define invoke_with_interleave --define drop_caches --tune base,peak -o all --iterations 2
--output_format csv,html,pdf,txt -define Dell-BIOS-inc=Dell-BIOS_Xeon-4.inc fprate
```

(Continued on next page)



SPEC CPU®2017 Floating Point Rate Result

Copyright 2017-2023 Standard Performance Evaluation Corporation

Dell Inc.

SPECrate®2017_fp_base = 256

PowerEdge R760xd2 (Intel Xeon Gold 5411N)

SPECrate®2017_fp_peak = 266

CPU2017 License: 6573
Test Sponsor: Dell Inc.
Tested by: Dell Inc.

Test Date: Mar-2023
Hardware Availability: Mar-2023
Software Availability: Dec-2022

Platform Notes (Continued)

```
runcpu --nobuild --action validate --define default-platform-flags --define numcopies=48 --configfile
ic2023.0-lin-sapphirerapids-rate-20221201.cfg --define smt-on --define cores=24 --define physicalfirst
--define invoke_with_interleave --define drop_caches --tune base,peak --output_format all --iterations 2
--output_format csv,html,pdf,txt --define Dell-BIOS-inc=Dell-BIOS_Xeon-4.inc --nopower --runmode rate
--tune base:peak --size refrate fprate --nopreenv --note-preenv --logfile
$SPEC/tmp/CPU2017.002/templots/preenv.fprate.002.0.log --lognum 002.0 --from_runcpu 2
specperl $SPEC/bin/sysinfo
$SPEC = /mnt/ramdisk/cpu2017-1.1.9-ic2023.0-v4.3.2b
```

```
-----
6. /proc/cpuinfo
model name      : Intel(R) Xeon(R) Gold 5411N
vendor_id      : GenuineIntel
cpu family     : 6
model          : 143
stepping       : 8
microcode      : 0x2b0001b0
bugs           : spectre_v1 spectre_v2 spec_store_bypass swapgs
cpu cores      : 24
siblings       : 48
1 physical ids (chips)
48 processors (hardware threads)
physical id 0: core ids 0-23
physical id 0: apicids 0-47
```

Caution: /proc/cpuinfo data regarding chips, cores, and threads is not necessarily reliable, especially for virtualized systems. Use the above data carefully.

7. lscpu

From lscpu from util-linux 2.37.2:

```
Architecture:          x86_64
CPU op-mode(s):        32-bit, 64-bit
Address sizes:         46 bits physical, 57 bits virtual
Byte Order:            Little Endian
CPU(s):                48
On-line CPU(s) list:   0-47
Vendor ID:             GenuineIntel
Model name:            Intel(R) Xeon(R) Gold 5411N
CPU family:            6
Model:                 143
Thread(s) per core:    2
Core(s) per socket:    24
Socket(s):              1
Stepping:              8
BogoMIPS:              3800.00
Flags:                 fpu vme de pse tsc msr pae mce cx8 apic sep mtrr pge mca cmov pat pse36
clflush dts acpi mmx fxsr sse sse2 ss ht tm pbe syscall nx pdpe1gb rdtscp
lm constant_tsc art arch_perfmon pebs bts rep_good nopl xtopology
nonstop_tsc cpuid aperfmperf tsc_known_freq pni pclmulqdq dtes64 monitor
ds_cpl smx est tm2 ssse3 sdbg fma cx16 xtpr pdcm pcid dca sse4_1 sse4_2
x2apic movbe popcnt tsc_deadline_timer aes xsave avx f16c rdrand lahf_lm
abm 3dnowprefetch cpuid_fault epb cat_l3 cat_l2 cdp_l3 invpcid_single
cdp_l2 ssbd mba ibrs ibpb stibp ibrs_enhanced fsgsbase tsc_adjust bmi1 hle
avx2 smep bmi2 erms invpcid rtm cqm rdt_a avx512f avx512dq rdseed adx smap
avx512ifma clflushopt clwb intel_pt avx512cd sha_ni avx512bw avx512vl
xsaveopt xsavec xgetbv1 xsaves cqm_llc cqm_occup_llc cqm_mbm_total
cqm_mbm_local split_lock_detect avx_vnni avx512_bf16 wbnoinvd dtherm ida
arat pln pts avx512vbmi umip pku ospke waitpkg avx512_vbmi2 gfni vaes
vpclmulqdq avx512_vnni avx512_bitalg tme avx512_vpoptndq la57 rdpid
```

(Continued on next page)



SPEC CPU®2017 Floating Point Rate Result

Copyright 2017-2023 Standard Performance Evaluation Corporation

Dell Inc.

SPECrate®2017_fp_base = 256

PowerEdge R760xd2 (Intel Xeon Gold 5411N)

SPECrate®2017_fp_peak = 266

CPU2017 License: 6573
Test Sponsor: Dell Inc.
Tested by: Dell Inc.

Test Date: Mar-2023
Hardware Availability: Mar-2023
Software Availability: Dec-2022

Platform Notes (Continued)

```

bus_lock_detect cldemote movdiri movdir64b enqcmd fsrm md_clear serialize
tsxldtrk pconfig arch_lbr avx512_fp16 flush_lld arch_capabilities
Lld cache: 1.1 MiB (24 instances)
Lli cache: 768 KiB (24 instances)
L2 cache: 48 MiB (24 instances)
L3 cache: 45 MiB (1 instance)
NUMA node(s): 2
NUMA node0 CPU(s): 0,2,4,6,8,10,12,14,16,18,20,22,24,26,28,30,32,34,36,38,40,42,44,46
NUMA node1 CPU(s): 1,3,5,7,9,11,13,15,17,19,21,23,25,27,29,31,33,35,37,39,41,43,45,47
Vulnerability Itlb multihit: Not affected
Vulnerability L1tf: Not affected
Vulnerability Mds: Not affected
Vulnerability Meltdown: Not affected
Vulnerability Spec store bypass: Mitigation; Speculative Store Bypass disabled via prctl and seccomp
Vulnerability Spectre v1: Mitigation; usercopy/swapgs barriers and __user pointer sanitization
Vulnerability Spectre v2: Mitigation; Enhanced IBRS, IBPB conditional, RSB filling
Vulnerability Srbds: Not affected
Vulnerability Tsx async abort: Not affected

```

```

From lscpu --cache:
NAME ONE-SIZE ALL-SIZE WAYS TYPE LEVEL SETS PHY-LINE COHERENCY-SIZE
Lld 48K 1.1M 12 Data 1 64 1 64
Lli 32K 768K 8 Instruction 1 64 1 64
L2 2M 48M 16 Unified 2 2048 1 64
L3 45M 45M 15 Unified 3 49152 1 64

```

```

8. numactl --hardware
NOTE: a numactl 'node' might or might not correspond to a physical chip.
available: 2 nodes (0-1)
node 0 cpus: 0,2,4,6,8,10,12,14,16,18,20,22,24,26,28,30,32,34,36,38,40,42,44,46
node 0 size: 257459 MB
node 0 free: 234079 MB
node 1 cpus: 1,3,5,7,9,11,13,15,17,19,21,23,25,27,29,31,33,35,37,39,41,43,45,47
node 1 size: 258021 MB
node 1 free: 247523 MB
node distances:
node 0 1
0: 10 12
1: 12 10

```

```

9. /proc/meminfo
MemTotal: 527853412 kB

```

```

10. who -r
run-level 3 Mar 22 14:28

```

```

11. Systemd service manager version: systemd 249 (249.11+suse.124.g2bc0b2c447)
Default Target Status
multi-user running

```

```

12. Services, from systemctl list-unit-files
STATE UNIT FILES
enabled ModemManager YaST2-Firstboot YaST2-Second-Stage apparmor auditd bluetooth cron
display-manager getty@ haveged irqbalance iscsi issue-generator kbdsettings klog
lvm2-monitor nscd nvme-fc-boot-connections postfix purge-kernels rollback rsyslog smartd

```

(Continued on next page)



SPEC CPU®2017 Floating Point Rate Result

Copyright 2017-2023 Standard Performance Evaluation Corporation

Dell Inc.

SPECrate®2017_fp_base = 256

PowerEdge R760xd2 (Intel Xeon Gold 5411N)

SPECrate®2017_fp_peak = 266

CPU2017 License: 6573

Test Date: Mar-2023

Test Sponsor: Dell Inc.

Hardware Availability: Mar-2023

Tested by: Dell Inc.

Software Availability: Dec-2022

Platform Notes (Continued)

```

enabled-runtime  sshd wicked wickedd-auto4 wickedd-dhcp4 wickedd-dhcp6 wickedd-nanny wpa_supplicant
disabled        systemd-remount-fs
                NetworkManager NetworkManager-dispatcher NetworkManager-wait-online accounts-daemon
                appstream-sync-cache autofs autovast-initscripts blk-availability bluetooth-mesh
                boot-sysctl ca-certificates chrony-wait chronyd console-getty cups cups-browsed
                debug-shell dmraid-activation dnsmasq ebttables exchange-bmc-os-info firewallld gpm
                grub2-once haveged-switch-root ipmi ipmievd iscsi-init iscsid iscsiui issue-add-ssh-keys
                kexec-load lunmask man-db-create multipathd nfs nfs-blkmap nm-cloud-setup nmb
                nvme-autoconnect openvpn@ ostree-remount pppoe pppoe-server rdisc rpcbind rpmconfigcheck
                rsyncd rtkit-daemon serial-getty@ smartd_generate_opts smb snmpd snmptrapd
                speech-dispatcherd systemd-boot-check-no-failures systemd-network-generator systemd-sysex
                systemd-time-wait-sync systemd-timesyncd udisks2 upower wpa_supplicant@
indirect        pcsd saned@ wickedd

```

```

-----
13. Linux kernel boot-time arguments, from /proc/cmdline
BOOT_IMAGE=/boot/vmlinuz-5.14.21-150400.22-default
root=UUID=74fec0f5-2201-4e36-82b4-4c08aef9d2d7
splash=silent
resume=/dev/disk/by-uuid/4f026252-b280-4df8-a586-334969a9424f
mitigations=auto
quiet
security=apparmor

```

```

-----
14. cpupower frequency-info
analyzing CPU 0:
Unable to determine current policy
boost state support:
Supported: yes
Active: yes

```

```

-----
15. sysctl
kernel.numa_balancing          1
kernel.randomize_va_space     2
vm.compaction_proactiveness    20
vm.dirty_background_bytes      0
vm.dirty_background_ratio      10
vm.dirty_bytes                  0
vm.dirty_expire_centisecs      3000
vm.dirty_ratio                  20
vm.dirty_writeback_centisecs   500
vm.dirtytime_expire_seconds    43200
vm.extfrag_threshold           500
vm.min_unmapped_ratio          1
vm.nr_hugepages                 0
vm.nr_hugepages_mempolicy      0
vm.nr_overcommit_hugepages     0
vm.swappiness                    60
vm.watermark_boost_factor      15000
vm.watermark_scale_factor      10
vm.zone_reclaim_mode           0

```

```

-----
16. /sys/kernel/mm/transparent_hugepage
defrag          always defer defer+madvise [madvise] never
enabled         [always] madvise never
hpage_pmd_size 2097152
shmem_enabled   always within_size advise [never] deny force

```

(Continued on next page)



SPEC CPU®2017 Floating Point Rate Result

Copyright 2017-2023 Standard Performance Evaluation Corporation

Dell Inc.

SPECrate®2017_fp_base = 256

PowerEdge R760xd2 (Intel Xeon Gold 5411N)

SPECrate®2017_fp_peak = 266

CPU2017 License: 6573

Test Sponsor: Dell Inc.

Tested by: Dell Inc.

Test Date: Mar-2023

Hardware Availability: Mar-2023

Software Availability: Dec-2022

Platform Notes (Continued)

```
-----
17. /sys/kernel/mm/transparent_hugepage/khugepaged
alloc_sleep_millisecs 60000
defrag 1
max_ptes_none 511
max_ptes_shared 256
max_ptes_swap 64
pages_to_scan 4096
scan_sleep_millisecs 10000
-----
```

```
-----
18. OS release
From /etc/*-release /etc/*-version
os-release SUSE Linux Enterprise Server 15 SP4
-----
```

```
-----
19. Disk information
SPEC is set to: /mnt/ramdisk/cpu2017-1.1.9-ic2023.0-v4.3.2b
Filesystem Type Size Used Avail Use% Mounted on
tmpfs tmpfs 125G 27G 99G 22% /mnt/ramdisk
-----
```

```
-----
20. /sys/devices/virtual/dmi/id
Vendor: Dell Inc.
Product: PowerEdge R760xd2
Product Family: PowerEdge
Serial: DULAC01
-----
```

```
-----
21. dmidecode
Additional information from dmidecode 3.2 follows. WARNING: Use caution when you interpret this section.
The 'dmidecode' program reads system data which is "intended to allow hardware to be accurately
determined", but the intent may not be met, as there are frequent changes to hardware, firmware, and the
"DMTF SMBIOS" standard.
Memory:
4x 002C0632002C MTC40F2046S1RC48BA1 64 GB 2 rank 4800, configured at 4400
4x 002C069D002C MTC40F2046S1RC48BA1 64 GB 2 rank 4800, configured at 4400
-----
```

```
-----
22. BIOS
(This section combines info from /sys/devices and dmidecode.)
BIOS Vendor: Dell Inc.
BIOS Version: 1.0.1
BIOS Date: 03/09/2023
BIOS Revision: 1.0
-----
```

Compiler Version Notes

```
=====
C | 519.lbm_r(base, peak) 538.imagick_r(base, peak) 544.nab_r(base, peak)
-----
```

```
Intel(R) oneAPI DPC++/C++ Compiler for applications running on Intel(R) 64, Version 2023.0.0 Build 20221201
Copyright (C) 1985-2022 Intel Corporation. All rights reserved.
-----
```

```
=====
C++ | 508.namd_r(base, peak) 510.parest_r(base, peak)
-----
```

(Continued on next page)



SPEC CPU®2017 Floating Point Rate Result

Copyright 2017-2023 Standard Performance Evaluation Corporation

Dell Inc.

SPECrate®2017_fp_base = 256

PowerEdge R760xd2 (Intel Xeon Gold 5411N)

SPECrate®2017_fp_peak = 266

CPU2017 License: 6573
Test Sponsor: Dell Inc.
Tested by: Dell Inc.

Test Date: Mar-2023
Hardware Availability: Mar-2023
Software Availability: Dec-2022

Compiler Version Notes (Continued)

Intel(R) oneAPI DPC++/C++ Compiler for applications running on Intel(R) 64, Version 2023.0.0 Build 20221201
Copyright (C) 1985-2022 Intel Corporation. All rights reserved.

=====
C++, C | 511.povray_r(base, peak) 526.blender_r(base, peak)

Intel(R) oneAPI DPC++/C++ Compiler for applications running on Intel(R) 64, Version 2023.0.0 Build 20221201
Copyright (C) 1985-2022 Intel Corporation. All rights reserved.

Intel(R) oneAPI DPC++/C++ Compiler for applications running on Intel(R) 64, Version 2023.0.0 Build 20221201
Copyright (C) 1985-2022 Intel Corporation. All rights reserved.

=====
C++, C, Fortran | 507.cactuBSSN_r(base, peak)

Intel(R) oneAPI DPC++/C++ Compiler for applications running on Intel(R) 64, Version 2023.0.0 Build 20221201
Copyright (C) 1985-2022 Intel Corporation. All rights reserved.

Intel(R) oneAPI DPC++/C++ Compiler for applications running on Intel(R) 64, Version 2023.0.0 Build 20221201
Copyright (C) 1985-2022 Intel Corporation. All rights reserved.

Intel(R) Fortran Compiler for applications running on Intel(R) 64, Version 2023.0.0 Build 20221201
Copyright (C) 1985-2022 Intel Corporation. All rights reserved.

=====
Fortran | 503.bwaves_r(base, peak) 549.fotonik3d_r(base, peak) 554.roms_r(base, peak)

Intel(R) Fortran Compiler for applications running on Intel(R) 64, Version 2023.0.0 Build 20221201
Copyright (C) 1985-2022 Intel Corporation. All rights reserved.

=====
Fortran, C | 521.wrf_r(base, peak) 527.cam4_r(base, peak)

Intel(R) Fortran Compiler for applications running on Intel(R) 64, Version 2023.0.0 Build 20221201
Copyright (C) 1985-2022 Intel Corporation. All rights reserved.

Intel(R) oneAPI DPC++/C++ Compiler for applications running on Intel(R) 64, Version 2023.0.0 Build 20221201
Copyright (C) 1985-2022 Intel Corporation. All rights reserved.

Base Compiler Invocation

C benchmarks:

icx

C++ benchmarks:

icpx

Fortran benchmarks:

ifx

Benchmarks using both Fortran and C:

ifx icx

(Continued on next page)



SPEC CPU®2017 Floating Point Rate Result

Copyright 2017-2023 Standard Performance Evaluation Corporation

Dell Inc.

SPECrate®2017_fp_base = 256

PowerEdge R760xd2 (Intel Xeon Gold 5411N)

SPECrate®2017_fp_peak = 266

CPU2017 License: 6573

Test Sponsor: Dell Inc.

Tested by: Dell Inc.

Test Date: Mar-2023

Hardware Availability: Mar-2023

Software Availability: Dec-2022

Base Compiler Invocation (Continued)

Benchmarks using both C and C++:

icpx icx

Benchmarks using Fortran, C, and C++:

icpx icx ifx

Base Portability Flags

503.bwaves_r: -DSPEC_LP64
507.cactuBSSN_r: -DSPEC_LP64
508.namd_r: -DSPEC_LP64
510.parest_r: -DSPEC_LP64
511.povray_r: -DSPEC_LP64
519.lbm_r: -DSPEC_LP64
521.wrf_r: -DSPEC_LP64 -DSPEC_CASE_FLAG -convert big_endian
526.blender_r: -DSPEC_LP64 -DSPEC_LINUX -funsigned-char
527.cam4_r: -DSPEC_LP64 -DSPEC_CASE_FLAG
538.imagick_r: -DSPEC_LP64
544.nab_r: -DSPEC_LP64
549.fotonik3d_r: -DSPEC_LP64
554.roms_r: -DSPEC_LP64

Base Optimization Flags

C benchmarks:

-w -std=c11 -m64 -Wl,-z,muldefs -xsapphirerapids -Ofast -ffast-math
-flto -mfpmath=sse -funroll-loops -qopt-mem-layout-trans=4
-Wno-implicit-int -mprefer-vector-width=512 -ljemalloc
-L/usr/local/jemalloc64-5.0.1/lib

C++ benchmarks:

-w -std=c++14 -m64 -Wl,-z,muldefs -xsapphirerapids -Ofast
-ffast-math -flto -mfpmath=sse -funroll-loops
-qopt-mem-layout-trans=4 -mprefer-vector-width=512 -ljemalloc
-L/usr/local/jemalloc64-5.0.1/lib

Fortran benchmarks:

-w -m64 -Wl,-z,muldefs -xsapphirerapids -Ofast -ffast-math -flto
-mfpmath=sse -funroll-loops -qopt-mem-layout-trans=4
-nostandard-realloc-lhs -align array32byte -auto -ljemalloc

(Continued on next page)



SPEC CPU®2017 Floating Point Rate Result

Copyright 2017-2023 Standard Performance Evaluation Corporation

Dell Inc.

SPECrate®2017_fp_base = 256

PowerEdge R760xd2 (Intel Xeon Gold 5411N)

SPECrate®2017_fp_peak = 266

CPU2017 License: 6573

Test Sponsor: Dell Inc.

Tested by: Dell Inc.

Test Date: Mar-2023

Hardware Availability: Mar-2023

Software Availability: Dec-2022

Base Optimization Flags (Continued)

Fortran benchmarks (continued):

`-L/usr/local/jemalloc64-5.0.1/lib`

Benchmarks using both Fortran and C:

`-w -m64 -std=c11 -Wl,-z,muldefs -xsaphirerapids -Ofast -ffast-math
-flto -mfpmath=sse -funroll-loops -qopt-mem-layout-trans=4
-Wno-implicit-int -mprefer-vector-width=512 -nostandard-realloc-lhs
-align array32byte -auto -ljemalloc -L/usr/local/jemalloc64-5.0.1/lib`

Benchmarks using both C and C++:

`-w -std=c++14 -m64 -std=c11 -Wl,-z,muldefs -xsaphirerapids -Ofast
-ffast-math -flto -mfpmath=sse -funroll-loops
-qopt-mem-layout-trans=4 -Wno-implicit-int -mprefer-vector-width=512
-ljemalloc -L/usr/local/jemalloc64-5.0.1/lib`

Benchmarks using Fortran, C, and C++:

`-w -m64 -std=c++14 -std=c11 -Wl,-z,muldefs -xsaphirerapids -Ofast
-ffast-math -flto -mfpmath=sse -funroll-loops
-qopt-mem-layout-trans=4 -Wno-implicit-int -mprefer-vector-width=512
-nostandard-realloc-lhs -align array32byte -auto -ljemalloc
-L/usr/local/jemalloc64-5.0.1/lib`

Peak Compiler Invocation

C benchmarks:

`icx`

C++ benchmarks:

`icpx`

Fortran benchmarks:

`ifx`

Benchmarks using both Fortran and C:

`ifx icx`

Benchmarks using both C and C++:

`icpx icx`

Benchmarks using Fortran, C, and C++:

`icpx icx ifx`



SPEC CPU®2017 Floating Point Rate Result

Copyright 2017-2023 Standard Performance Evaluation Corporation

Dell Inc.

SPECrate®2017_fp_base = 256

PowerEdge R760xd2 (Intel Xeon Gold 5411N)

SPECrate®2017_fp_peak = 266

CPU2017 License: 6573
Test Sponsor: Dell Inc.
Tested by: Dell Inc.

Test Date: Mar-2023
Hardware Availability: Mar-2023
Software Availability: Dec-2022

Peak Portability Flags

Same as Base Portability Flags

Peak Optimization Flags

C benchmarks:

519.lbm_r: basepeak = yes

538.imagick_r: basepeak = yes

544.nab_r: basepeak = yes

C++ benchmarks:

508.namd_r: basepeak = yes

510.parest_r: -w -std=c++14 -m64 -Wl,-z,muldefs -xsapphirerapids -Ofast -ffast-math -flto -mfpmath=sse -funroll-loops -qopt-mem-layout-trans=4 -mprefer-vector-width=512 -ljemalloc -L/usr/local/jemalloc64-5.0.1/lib

Fortran benchmarks:

503.bwaves_r: basepeak = yes

549.fotonik3d_r: basepeak = yes

554.roms_r: -w -m64 -Wl,-z,muldefs -xsapphirerapids -Ofast -ffast-math -flto -mfpmath=sse -funroll-loops -qopt-mem-layout-trans=4 -nostandard-realloc-lhs -align array32byte -auto -ljemalloc -L/usr/local/jemalloc64-5.0.1/lib

Benchmarks using both Fortran and C:

521.wrf_r: -w -m64 -std=c11 -Wl,-z,muldefs -xsapphirerapids -Ofast -ffast-math -flto -mfpmath=sse -funroll-loops -qopt-mem-layout-trans=4 -Wno-implicit-int -mprefer-vector-width=512 -nostandard-realloc-lhs -align array32byte -auto -ljemalloc -L/usr/local/jemalloc64-5.0.1/lib

527.cam4_r: basepeak = yes

(Continued on next page)



SPEC CPU®2017 Floating Point Rate Result

Copyright 2017-2023 Standard Performance Evaluation Corporation

Dell Inc.

SPECrate®2017_fp_base = 256

PowerEdge R760xd2 (Intel Xeon Gold 5411N)

SPECrate®2017_fp_peak = 266

CPU2017 License: 6573

Test Sponsor: Dell Inc.

Tested by: Dell Inc.

Test Date: Mar-2023

Hardware Availability: Mar-2023

Software Availability: Dec-2022

Peak Optimization Flags (Continued)

Benchmarks using both C and C++:

```
511.povray_r: -w -std=c++14 -m64 -std=c11 -Wl,-z,muldefs
-fprofile-generate(pass 1)
-fprofile-use=default.profdata(pass 2) -xCORE-AVX2(pass 1)
-flto -Ofast -xCORE-AVX512 -ffast-math -mfpmath=sse
-funroll-loops -qopt-mem-layout-trans=4 -Wno-implicit-int
-mprefer-vector-width=512 -ljemalloc
-L/usr/local/jemalloc64-5.0.1/lib
```

526.blender_r: basepeak = yes

Benchmarks using Fortran, C, and C++:

```
-w -m64 -std=c++14 -std=c11 -Wl,-z,muldefs -xsapphirerapids -Ofast
-ffast-math -flto -mfpmath=sse -funroll-loops
-qopt-mem-layout-trans=4 -Wno-implicit-int -mprefer-vector-width=512
-nostandard-realloc-lhs -align array32byte -auto -ljemalloc
-L/usr/local/jemalloc64-5.0.1/lib
```

The flags files that were used to format this result can be browsed at

<http://www.spec.org/cpu2017/flags/Intel-ic2023-official-linux64.html>

<http://www.spec.org/cpu2017/flags/Dell-Platform-Flags-PowerEdge-Intel-Xeon-v1.3.html>

You can also download the XML flags sources by saving the following links:

<http://www.spec.org/cpu2017/flags/Intel-ic2023-official-linux64.xml>

<http://www.spec.org/cpu2017/flags/Dell-Platform-Flags-PowerEdge-Intel-Xeon-v1.3.xml>

SPEC CPU and SPECrate are registered trademarks of the Standard Performance Evaluation Corporation. All other brand and product names appearing in this result are trademarks or registered trademarks of their respective holders.

For questions about this result, please contact the tester. For other inquiries, please contact info@spec.org.

Tested with SPEC CPU®2017 v1.1.9 on 2023-03-22 06:48:45-0400.

Report generated on 2023-04-26 10:21:10 by CPU2017 PDF formatter v6716.

Originally published on 2023-04-26.