



SPEC CPU®2017 Floating Point Rate Result

Copyright 2017-2022 Standard Performance Evaluation Corporation

Inspur Corporation

SPECrate®2017_fp_base = 440

Inspur NF5180M6 (Intel Xeon Gold 5320)

SPECrate®2017_fp_peak = 455

CPU2017 License: 3358

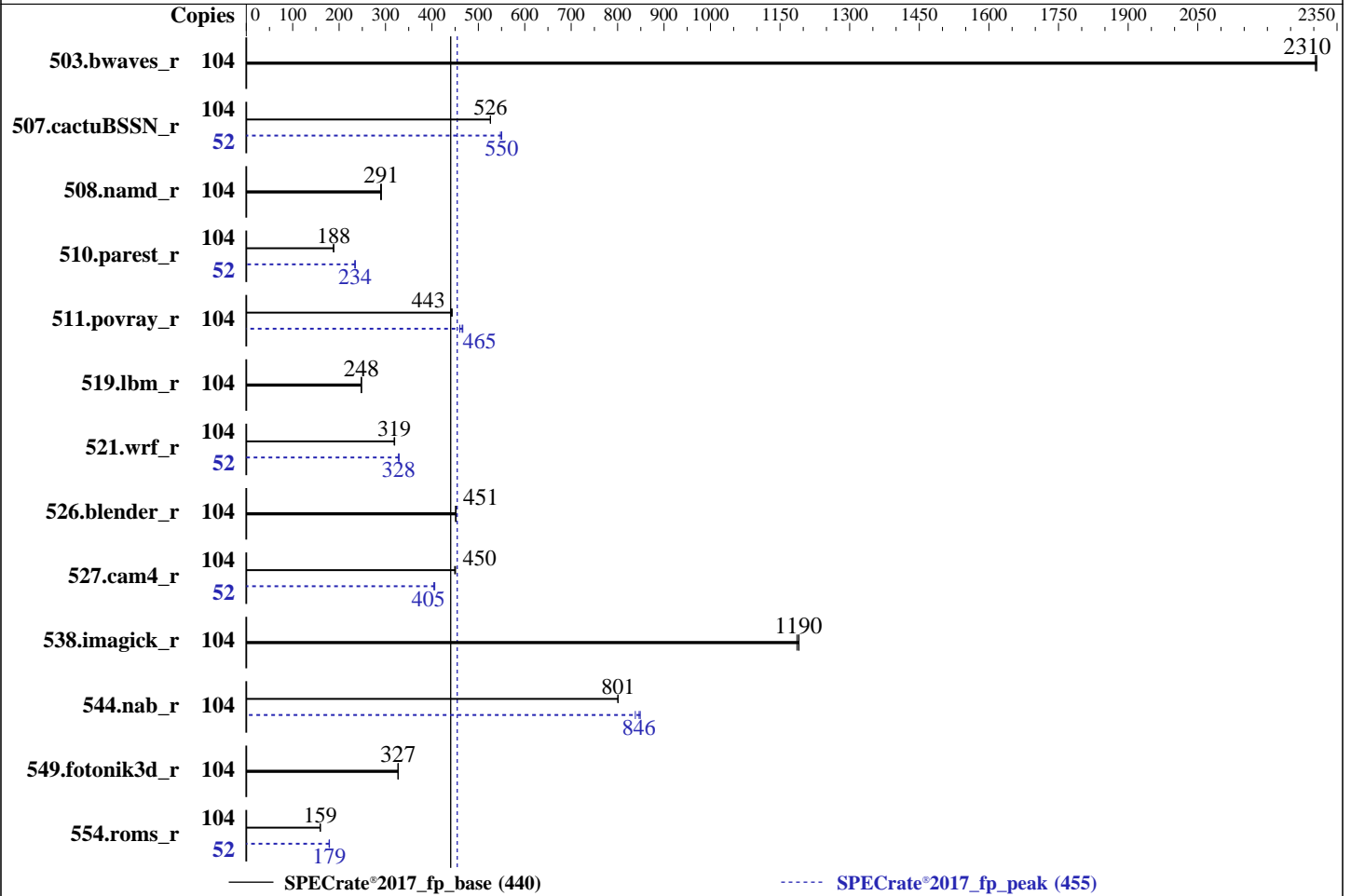
Test Sponsor: Inspur Corporation

Tested by: Inspur Corporation

Test Date: Aug-2022

Hardware Availability: Apr-2021

Software Availability: May-2022



Hardware

CPU Name: Intel Xeon Gold 5320
 Max MHz: 3400
 Nominal: 2200
 Enabled: 52 cores, 2 chips, 2 threads/core
 Orderable: 1,2 chips
 Cache L1: 32 KB I + 48 KB D on chip per core
 L2: 1.25 MB I+D on chip per core
 L3: 39 MB I+D on chip per chip
 Other: None
 Memory: 1 TB (32 x 32 GB 2Rx8 PC4-3200AA-R, running at 2933)
 Storage: 1 x 2 TB NVME SSD
 Other: None

Software

OS: Red Hat Enterprise Linux release 8.3 (Ootpa) 4.18.0-240.el8.x86_64
 Compiler: C/C++: Version 2022.1 of Intel oneAPI DPC++/C++ Compiler Build 20220316 for Linux;
 Fortran: Version 2022.1 of Intel Fortran Compiler Build 20220316 for Linux;
 Parallel: No
 Firmware: Version 04.12.02 released Apr-2021
 File System: xfs
 System State: Run level 3 (multi-user)
 Base Pointers: 64-bit
 Peak Pointers: 64-bit
 Other: jemalloc memory allocator V5.0.1
 Power Management: BIOS and OS set to prefer performance at the cost of additional power usage.



SPEC CPU®2017 Floating Point Rate Result

Copyright 2017-2022 Standard Performance Evaluation Corporation

Inspur Corporation

SPECrate®2017_fp_base = 440

Inspur NF5180M6 (Intel Xeon Gold 5320)

SPECrate®2017_fp_peak = 455

CPU2017 License: 3358

Test Sponsor: Inspur Corporation

Tested by: Inspur Corporation

Test Date: Aug-2022

Hardware Availability: Apr-2021

Software Availability: May-2022

Results Table

Benchmark	Base							Peak						
	Copies	Seconds	Ratio	Seconds	Ratio	Seconds	Ratio	Copies	Seconds	Ratio	Seconds	Ratio	Seconds	Ratio
503.bwaves_r	104	452	2310	452	2310	453	2300	104	452	2310	452	2310	453	2300
507.cactuBSSN_r	104	250	526	250	526	250	526	52	120	548	120	550	120	550
508.namd_r	104	340	291	340	291	341	289	104	340	291	340	291	341	289
510.parest_r	104	1446	188	1445	188	1446	188	52	579	235	581	234	580	234
511.povray_r	104	547	444	549	443	549	442	104	521	467	522	465	528	460
519.lbm_r	104	442	248	442	248	442	248	104	442	248	442	248	442	248
521.wrf_r	104	730	319	729	320	731	319	52	354	329	355	328	355	328
526.blender_r	104	351	452	351	451	351	451	104	351	452	351	451	351	451
527.cam4_r	104	403	451	404	450	405	449	52	225	404	224	406	225	405
538.imagick_r	104	217	1190	217	1190	218	1190	104	217	1190	217	1190	218	1190
544.nab_r	104	219	801	219	800	218	801	104	206	849	209	838	207	846
549.fotonik3d_r	104	1240	327	1239	327	1238	327	104	1240	327	1239	327	1238	327
554.roms_r	104	1037	159	1035	160	1038	159	52	461	179	461	179	463	178

SPECrate®2017_fp_base = **440**

SPECrate®2017_fp_peak = **455**

Results appear in the order in which they were run. Bold underlined text indicates a median measurement.

Submit Notes

The numactl mechanism was used to bind copies to processors. The config file option 'submit' was used to generate numactl commands to bind each copy to a specific processor. For details, please see the config file.

Operating System Notes

Stack size set to unlimited using "ulimit -s unlimited"

Scaling_Governor set to Performance

Environment Variables Notes

Environment variables set by runcpu before the start of the run:
LD_LIBRARY_PATH = "/home/CPU2017/lib/intel64:/home/CPU2017/je5.0.1-64"
MALLOC_CONF = "retain:true"

General Notes

Binaries compiled on a system with 2x Intel Xeon Platinum 8280M CPU + 384GB RAM memory using Red Hat Enterprise Linux 8.4

(Continued on next page)



SPEC CPU®2017 Floating Point Rate Result

Copyright 2017-2022 Standard Performance Evaluation Corporation

Inspur Corporation

SPECrate®2017_fp_base = 440

Inspur NF5180M6 (Intel Xeon Gold 5320)

SPECrate®2017_fp_peak = 455

CPU2017 License: 3358

Test Sponsor: Inspur Corporation

Tested by: Inspur Corporation

Test Date: Aug-2022

Hardware Availability: Apr-2021

Software Availability: May-2022

General Notes (Continued)

Transparent Huge Pages enabled by default
Prior to runcpu invocation
Filesystem page cache synced and cleared with:
sync; echo 3> /proc/sys/vm/drop_caches

NA: The test sponsor attests, as of date of publication, that CVE-2017-5754 (Meltdown) is mitigated in the system as tested and documented.

Yes: The test sponsor attests, as of date of publication, that CVE-2017-5753 (Spectre variant 1) is mitigated in the system as tested and documented.

Yes: The test sponsor attests, as of date of publication, that CVE-2017-5715 (Spectre variant 2) is mitigated in the system as tested and documented.

jemalloc, a general purpose malloc implementation
built with the RedHat Enterprise 7.5,
and the system compiler gcc 4.8.5;
sources available from jemalloc.net or
<https://github.com/jemalloc/jemalloc/releases>

Platform Notes

BIOS configuration:
ENERGY_PERF_BIAS_CFG mode set to Performance
Hardware Prefetch set to Disable
VT Support set to Disable
Sub NUMA Cluster (SNC) set to Enable

Sysinfo program /home/CPU2017/bin/sysinfo
Rev: r6622 of 2021-04-07 982a61ec0915b55891ef0e16acafc64d
running on localhost.localdomain Sun Aug 21 22:19:28 2022

SUT (System Under Test) info as seen by some common utilities.
For more information on this section, see
<https://www.spec.org/cpu2017/Docs/config.html#sysinfo>

From /proc/cpuinfo
model name : Intel(R) Xeon(R) Gold 5320 CPU @ 2.20GHz
2 "physical id"s (chips)
104 "processors"
cores, siblings (Caution: counting these is hw and system dependent. The following excerpts from /proc/cpuinfo might not be reliable. Use with caution.)
cpu cores : 26
siblings : 52
physical 0: cores 0 1 2 3 4 5 6 7 8 9 10 11 12 13 14 15 16 17 18 19 20 21 22 23 24 25
physical 1: cores 0 1 2 3 4 5 6 7 8 9 10 11 12 13 14 15 16 17 18 19 20 21 22 23 24 25

(Continued on next page)



SPEC CPU®2017 Floating Point Rate Result

Copyright 2017-2022 Standard Performance Evaluation Corporation

Inspur Corporation

SPECrate®2017_fp_base = 440

Inspur NF5180M6 (Intel Xeon Gold 5320)

SPECrate®2017_fp_peak = 455

CPU2017 License: 3358
Test Sponsor: Inspur Corporation
Tested by: Inspur Corporation

Test Date: Aug-2022
Hardware Availability: Apr-2021
Software Availability: May-2022

Platform Notes (Continued)

```

From lscpu from util-linux 2.32.1:
Architecture:          x86_64
CPU op-mode(s):        32-bit, 64-bit
Byte Order:            Little Endian
CPU(s):                104
On-line CPU(s) list:   0-103
Thread(s) per core:    2
Core(s) per socket:    26
Socket(s):              2
NUMA node(s):          4
Vendor ID:              GenuineIntel
CPU family:             6
Model:                 106
Model name:             Intel(R) Xeon(R) Gold 5320 CPU @ 2.20GHz
Stepping:               6
CPU MHz:                2800.000
CPU max MHz:           3400.0000
CPU min MHz:           800.0000
BogoMIPS:               4400.00
Virtualization:        VT-x
L1d cache:              48K
L1i cache:              32K
L2 cache:               1280K
L3 cache:               39936K
NUMA node0 CPU(s):     0-12,52-64
NUMA node1 CPU(s):     13-25,65-77
NUMA node2 CPU(s):     26-38,78-90
NUMA node3 CPU(s):     39-51,91-103
Flags:                  fpu vme de pse tsc msr pae mce cx8 apic sep mtrr pge mca cmov
pat pse36 clflush dts acpi mmx fxsr sse sse2 ss ht tm pbe syscall nx pdpe1gb rdtscp
lm constant_tsc art arch_perfmon pebs bts rep_good nopl xtopology nonstop_tsc cpuid
aperfmpperf pni pclmulqdq dtes64 ds_cpl vmx smx est tm2 ssse3 sdbg fma cx16 xtpr pdcm
pcid dca sse4_1 sse4_2 x2apic movbe popcnt tsc_deadline_timer aes xsave avx f16c
rdrand lahf_lm abm 3dnowprefetch cpuid_fault epb cat_l3 cdp_l3 invpcid_single
intel_ppin ssbd mba ibrs ibpb stibp ibrs_enhanced fsgsbase tsc_adjust bmi1 hle avx2
smep bmi2 erms invpcid cqm rdt_a avx512f avx512dq rdseed adx smap avx512ifma
clflushopt clwb intel_pt avx512cd sha_ni avx512bw avx512vl xsaveopt xsavec xgetbv1
xsaves cqm_llc cqm_occup_llc cqm_mbm_total cqm_mbm_local split_lock_detect wbnoinvd
dtherm ida arat pln pts avx512vbmi umip pku ospke avx512_vbmi2 gfni vaes vpclmulqdq
avx512_vnni avx512_bitalg tme avx512_vpopcntdq la57 rdpid md_clear pconfig flush_l1d
arch_capabilities

```

```

/proc/cpuinfo cache data
cache size : 39936 KB

```

```

From numactl --hardware

```

(Continued on next page)



SPEC CPU®2017 Floating Point Rate Result

Copyright 2017-2022 Standard Performance Evaluation Corporation

Inspur Corporation

SPECrate®2017_fp_base = 440

Inspur NF5180M6 (Intel Xeon Gold 5320)

SPECrate®2017_fp_peak = 455

CPU2017 License: 3358
Test Sponsor: Inspur Corporation
Tested by: Inspur Corporation

Test Date: Aug-2022
Hardware Availability: Apr-2021
Software Availability: May-2022

Platform Notes (Continued)

```

WARNING: a numactl 'node' might or might not correspond to a physical chip.
available: 4 nodes (0-3)
node 0 cpus: 0 1 2 3 4 5 6 7 8 9 10 11 12 52 53 54 55 56 57 58 59 60 61 62 63 64
node 0 size: 251663 MB
node 0 free: 257266 MB
node 1 cpus: 13 14 15 16 17 18 19 20 21 22 23 24 25 65 66 67 68 69 70 71 72 73 74 75 76
77
node 1 size: 252049 MB
node 1 free: 257748 MB
node 2 cpus: 26 27 28 29 30 31 32 33 34 35 36 37 38 78 79 80 81 82 83 84 85 86 87 88 89
90
node 2 size: 253279 MB
node 2 free: 257767 MB
node 3 cpus: 39 40 41 42 43 44 45 46 47 48 49 50 51 91 92 93 94 95 96 97 98 99 100 101
102 103
node 3 size: 252287 MB
node 3 free: 257663 MB
node distances:
node 0 1 2 3
0: 10 11 20 20
1: 11 10 20 20
2: 20 20 10 11
3: 20 20 11 10

```

```

From /proc/meminfo
MemTotal: 1056484108 kB
HugePages_Total: 0
Hugepagesize: 2048 kB

```

```

/sbin/tuned-adm active
Current active profile: throughput-performance

```

```

/sys/devices/system/cpu/cpu*/cpufreq/scaling_governor has
performance

```

```

From /etc/*release* /etc/*version*
os-release:
NAME="Red Hat Enterprise Linux"
VERSION="8.3 (Ootpa)"
ID="rhel"
ID_LIKE="fedora"
VERSION_ID="8.3"
PLATFORM_ID="platform:el8"
PRETTY_NAME="Red Hat Enterprise Linux 8.3 (Ootpa)"
ANSI_COLOR="0;31"
redhat-release: Red Hat Enterprise Linux release 8.3 (Ootpa)
system-release: Red Hat Enterprise Linux release 8.3 (Ootpa)

```

(Continued on next page)



SPEC CPU®2017 Floating Point Rate Result

Copyright 2017-2022 Standard Performance Evaluation Corporation

Inspur Corporation

SPECrate®2017_fp_base = 440

Inspur NF5180M6 (Intel Xeon Gold 5320)

SPECrate®2017_fp_peak = 455

CPU2017 License: 3358

Test Sponsor: Inspur Corporation

Tested by: Inspur Corporation

Test Date: Aug-2022

Hardware Availability: Apr-2021

Software Availability: May-2022

Platform Notes (Continued)

system-release-cpe: cpe:/o:redhat:enterprise_linux:8.3:ga

uname -a:

```
Linux localhost.localdomain 4.18.0-240.el8.x86_64 #1 SMP Wed Sep 23 05:13:10 EDT 2020
x86_64 x86_64 x86_64 GNU/Linux
```

Kernel self-reported vulnerability status:

CVE-2018-12207 (iTLB Multihit):	Not affected
CVE-2018-3620 (L1 Terminal Fault):	Not affected
Microarchitectural Data Sampling:	Not affected
CVE-2017-5754 (Meltdown):	Not affected
CVE-2018-3639 (Speculative Store Bypass):	Mitigation: Speculative Store Bypass disabled via prctl and seccomp
CVE-2017-5753 (Spectre variant 1):	Mitigation: usercopy/swapgs barriers and __user pointer sanitization
CVE-2017-5715 (Spectre variant 2):	Mitigation: Enhanced IBRS, IBPB: conditional, RSB filling
CVE-2020-0543 (Special Register Buffer Data Sampling):	Not affected
CVE-2019-11135 (TSX Asynchronous Abort):	Not affected

run-level 3 Aug 21 22:17

SPEC is set to: /home/CPU2017

Filesystem	Type	Size	Used	Avail	Use%	Mounted on
/dev/mapper/rhel-home	xf	1.4T	86G	1.3T	7%	/home

From /sys/devices/virtual/dmi/id

```
Vendor: Inspur
Product: NF5180M6
Product Family: Family
Serial: 380827124
```

Additional information from dmidecode 3.2 follows. WARNING: Use caution when you interpret this section. The 'dmidecode' program reads system data which is "intended to allow hardware to be accurately determined", but the intent may not be met, as there are frequent changes to hardware, firmware, and the "DMTF SMBIOS" standard.

Memory:

32x Micron 18ASF4G72PDZ-3G2E1 32 GB 2 rank 3200, configured at 2933

BIOS:

```
BIOS Vendor: American Megatrends Inc.
BIOS Version: 04.12.02
BIOS Date: 04/02/2021
BIOS Revision: 5.21
```

(Continued on next page)



SPEC CPU®2017 Floating Point Rate Result

Copyright 2017-2022 Standard Performance Evaluation Corporation

Inspur Corporation

SPECrate®2017_fp_base = 440

Inspur NF5180M6 (Intel Xeon Gold 5320)

SPECrate®2017_fp_peak = 455

CPU2017 License: 3358
Test Sponsor: Inspur Corporation
Tested by: Inspur Corporation

Test Date: Aug-2022
Hardware Availability: Apr-2021
Software Availability: May-2022

Platform Notes (Continued)

(End of data from sysinfo program)

Compiler Version Notes

=====
C | 519.lbm_r(base, peak) 538.imagick_r(base, peak)
544.nab_r(base, peak)

Intel(R) oneAPI DPC++/C++ Compiler for applications running on Intel(R) 64,
Version 2022.1.0 Build 20220316
Copyright (C) 1985-2022 Intel Corporation. All rights reserved.

=====
C++ | 508.namd_r(base, peak) 510.parest_r(base, peak)

Intel(R) oneAPI DPC++/C++ Compiler for applications running on Intel(R) 64,
Version 2022.1.0 Build 20220316
Copyright (C) 1985-2022 Intel Corporation. All rights reserved.

=====
C++, C | 511.povray_r(base, peak) 526.blender_r(base, peak)

Intel(R) oneAPI DPC++/C++ Compiler for applications running on Intel(R) 64,
Version 2022.1.0 Build 20220316
Copyright (C) 1985-2022 Intel Corporation. All rights reserved.
Intel(R) oneAPI DPC++/C++ Compiler for applications running on Intel(R) 64,
Version 2022.1.0 Build 20220316
Copyright (C) 1985-2022 Intel Corporation. All rights reserved.

=====
C++, C, Fortran | 507.cactuBSSN_r(base, peak)

Intel(R) oneAPI DPC++/C++ Compiler for applications running on Intel(R) 64,
Version 2022.1.0 Build 20220316
Copyright (C) 1985-2022 Intel Corporation. All rights reserved.
Intel(R) oneAPI DPC++/C++ Compiler for applications running on Intel(R) 64,
Version 2022.1.0 Build 20220316
Copyright (C) 1985-2022 Intel Corporation. All rights reserved.
Intel(R) Fortran Compiler for applications running on Intel(R) 64, Version
2022.1.0 Build 20220316
Copyright (C) 1985-2022 Intel Corporation. All rights reserved.

(Continued on next page)



SPEC CPU®2017 Floating Point Rate Result

Copyright 2017-2022 Standard Performance Evaluation Corporation

Inspur Corporation

SPECrate®2017_fp_base = 440

Inspur NF5180M6 (Intel Xeon Gold 5320)

SPECrate®2017_fp_peak = 455

CPU2017 License: 3358

Test Sponsor: Inspur Corporation

Tested by: Inspur Corporation

Test Date: Aug-2022

Hardware Availability: Apr-2021

Software Availability: May-2022

Compiler Version Notes (Continued)

```

=====
Fortran          | 503.bwaves_r(base, peak) 549.fotonik3d_r(base, peak)
                  | 554.roms_r(base, peak)
=====

```

```

Intel(R) Fortran Compiler for applications running on Intel(R) 64, Version
2022.1.0 Build 20220316
Copyright (C) 1985-2022 Intel Corporation. All rights reserved.
=====

```

```

=====
Fortran, C       | 521.wrf_r(base, peak) 527.cam4_r(base, peak)
=====

```

```

Intel(R) Fortran Compiler for applications running on Intel(R) 64, Version
2022.1.0 Build 20220316
Copyright (C) 1985-2022 Intel Corporation. All rights reserved.
Intel(R) oneAPI DPC++/C++ Compiler for applications running on Intel(R) 64,
Version 2022.1.0 Build 20220316
Copyright (C) 1985-2022 Intel Corporation. All rights reserved.
=====

```

Base Compiler Invocation

C benchmarks:

icx

C++ benchmarks:

icpx

Fortran benchmarks:

ifx

Benchmarks using both Fortran and C:

ifx icx

Benchmarks using both C and C++:

icpx icx

Benchmarks using Fortran, C, and C++:

icpx icx ifx



SPEC CPU®2017 Floating Point Rate Result

Copyright 2017-2022 Standard Performance Evaluation Corporation

Inspur Corporation

SPECrate®2017_fp_base = 440

Inspur NF5180M6 (Intel Xeon Gold 5320)

SPECrate®2017_fp_peak = 455

CPU2017 License: 3358

Test Sponsor: Inspur Corporation

Tested by: Inspur Corporation

Test Date: Aug-2022

Hardware Availability: Apr-2021

Software Availability: May-2022

Base Portability Flags

```
503.bwaves_r: -DSPEC_LP64
507.cactuBSSN_r: -DSPEC_LP64
508.namd_r: -DSPEC_LP64
510.parest_r: -DSPEC_LP64
511.povray_r: -DSPEC_LP64
519.lbm_r: -DSPEC_LP64
521.wrf_r: -DSPEC_LP64 -DSPEC_CASE_FLAG -convert big_endian
526.blender_r: -DSPEC_LP64 -DSPEC_LINUX -funsigned-char
527.cam4_r: -DSPEC_LP64 -DSPEC_CASE_FLAG
538.imagick_r: -DSPEC_LP64
544.nab_r: -DSPEC_LP64
549.fotonik3d_r: -DSPEC_LP64
554.roms_r: -DSPEC_LP64
```

Base Optimization Flags

C benchmarks:

```
-w -std=c11 -m64 -Wl,-z,muldefs -xCORE-AVX512 -Ofast -ffast-math
-flto -mfpmath=sse -funroll-loops -qopt-mem-layout-trans=4 -ljemalloc
-L/usr/local/jemalloc64-5.0.1/lib
```

C++ benchmarks:

```
-w -m64 -Wl,-z,muldefs -xCORE-AVX512 -Ofast -ffast-math -flto
-mfpmath=sse -funroll-loops -qopt-mem-layout-trans=4 -ljemalloc
-L/usr/local/jemalloc64-5.0.1/lib
```

Fortran benchmarks:

```
-w -m64 -Wl,-z,muldefs -xCORE-AVX512 -Ofast -ffast-math -flto
-mfpmath=sse -funroll-loops -qopt-mem-layout-trans=4
-nostandard-realloc-lhs -align array32byte -auto -ljemalloc
-L/usr/local/jemalloc64-5.0.1/lib
```

Benchmarks using both Fortran and C:

```
-w -m64 -std=c11 -Wl,-z,muldefs -xCORE-AVX512 -Ofast -ffast-math
-flto -mfpmath=sse -funroll-loops -qopt-mem-layout-trans=4
-nostandard-realloc-lhs -align array32byte -auto -ljemalloc
-L/usr/local/jemalloc64-5.0.1/lib
```

Benchmarks using both C and C++:

```
-w -m64 -std=c11 -Wl,-z,muldefs -xCORE-AVX512 -Ofast -ffast-math
-flto -mfpmath=sse -funroll-loops -qopt-mem-layout-trans=4 -ljemalloc
-L/usr/local/jemalloc64-5.0.1/lib
```

(Continued on next page)



SPEC CPU®2017 Floating Point Rate Result

Copyright 2017-2022 Standard Performance Evaluation Corporation

Inspur Corporation

SPECrate®2017_fp_base = 440

Inspur NF5180M6 (Intel Xeon Gold 5320)

SPECrate®2017_fp_peak = 455

CPU2017 License: 3358

Test Sponsor: Inspur Corporation

Tested by: Inspur Corporation

Test Date: Aug-2022

Hardware Availability: Apr-2021

Software Availability: May-2022

Base Optimization Flags (Continued)

Benchmarks using Fortran, C, and C++:

```
-w -m64 -std=c11 -Wl,-z,muldefs -xCORE-AVX512 -Ofast -ffast-math
-flto -mfpmath=sse -funroll-loops -qopt-mem-layout-trans=4
-nostandard-realloc-lhs -align array32byte -auto -ljemalloc
-L/usr/local/jemalloc64-5.0.1/lib
```

Peak Compiler Invocation

C benchmarks:

```
icx
```

C++ benchmarks:

```
icpx
```

Fortran benchmarks:

```
ifx
```

Benchmarks using both Fortran and C:

```
ifx icx
```

Benchmarks using both C and C++:

```
icpx icx
```

Benchmarks using Fortran, C, and C++:

```
icpx icx ifx
```

Peak Portability Flags

Same as Base Portability Flags

Peak Optimization Flags

C benchmarks:

```
519.lbm_r: basepeak = yes
```

```
538.imagick_r: basepeak = yes
```

```
544.nab_r: -w -std=c11 -m64 -Wl,-z,muldefs -xCORE-AVX512 -Ofast
-ffast-math -flto -mfpmath=sse -funroll-loops
```

(Continued on next page)



SPEC CPU®2017 Floating Point Rate Result

Copyright 2017-2022 Standard Performance Evaluation Corporation

Inspur Corporation

SPECrate®2017_fp_base = 440

Inspur NF5180M6 (Intel Xeon Gold 5320)

SPECrate®2017_fp_peak = 455

CPU2017 License: 3358

Test Sponsor: Inspur Corporation

Tested by: Inspur Corporation

Test Date: Aug-2022

Hardware Availability: Apr-2021

Software Availability: May-2022

Peak Optimization Flags (Continued)

544.nab_r (continued):

```
-qopt-mem-layout-trans=4 -qopt-zmm-usage=high -ljemalloc  
-L/usr/local/jemalloc64-5.0.1/lib
```

C++ benchmarks:

508.namd_r: basepeak = yes

```
510.parest_r: -w -m64 -Wl,-z,muldefs -xCORE-AVX512 -Ofast -ffast-math  
-flto -mfpmath=sse -funroll-loops  
-qopt-mem-layout-trans=4 -ljemalloc  
-L/usr/local/jemalloc64-5.0.1/lib
```

Fortran benchmarks:

503.bwaves_r: basepeak = yes

549.fotonik3d_r: basepeak = yes

```
554.roms_r: -w -m64 -Wl,-z,muldefs -xCORE-AVX512 -Ofast -ffast-math  
-flto -mfpmath=sse -funroll-loops  
-qopt-mem-layout-trans=4 -nostandard-realloc-lhs  
-align array32byte -auto -ljemalloc  
-L/usr/local/jemalloc64-5.0.1/lib
```

Benchmarks using both Fortran and C:

```
-w -m64 -std=c11 -Wl,-z,muldefs -xCORE-AVX512 -Ofast -ffast-math  
-flto -mfpmath=sse -funroll-loops -qopt-mem-layout-trans=4  
-nostandard-realloc-lhs -align array32byte -auto -ljemalloc  
-L/usr/local/jemalloc64-5.0.1/lib
```

Benchmarks using both C and C++:

```
511.povray_r: -w -m64 -std=c11 -Wl,-z,muldefs  
-fprofile-generate(pass 1)  
-fprofile-use=default.profddata(pass 2) -xCORE-AVX512  
-Ofast -ffast-math -flto -mfpmath=sse -funroll-loops  
-qopt-mem-layout-trans=4 -ljemalloc  
-L/usr/local/jemalloc64-5.0.1/lib
```

526.blender_r: basepeak = yes

Benchmarks using Fortran, C, and C++:

```
-w -m64 -std=c11 -Wl,-z,muldefs -xCORE-AVX512 -Ofast -ffast-math  
-flto -mfpmath=sse -funroll-loops -qopt-mem-layout-trans=4  
-nostandard-realloc-lhs -align array32byte -auto -ljemalloc
```

(Continued on next page)



SPEC CPU®2017 Floating Point Rate Result

Copyright 2017-2022 Standard Performance Evaluation Corporation

Inspur Corporation

SPECrate®2017_fp_base = 440

Inspur NF5180M6 (Intel Xeon Gold 5320)

SPECrate®2017_fp_peak = 455

CPU2017 License: 3358

Test Sponsor: Inspur Corporation

Tested by: Inspur Corporation

Test Date: Aug-2022

Hardware Availability: Apr-2021

Software Availability: May-2022

Peak Optimization Flags (Continued)

Benchmarks using Fortran, C, and C++ (continued):

-L/usr/local/jemalloc64-5.0.1/lib

The flags files that were used to format this result can be browsed at

http://www.spec.org/cpu2017/flags/Intel-ic2022-official-linux64_revA.html

<http://www.spec.org/cpu2017/flags/Inspur-Platform-Settings-V2.5.html>

You can also download the XML flags sources by saving the following links:

http://www.spec.org/cpu2017/flags/Intel-ic2022-official-linux64_revA.xml

<http://www.spec.org/cpu2017/flags/Inspur-Platform-Settings-V2.5.xml>

SPEC CPU and SPECrate are registered trademarks of the Standard Performance Evaluation Corporation. All other brand and product names appearing in this result are trademarks or registered trademarks of their respective holders.

For questions about this result, please contact the tester. For other inquiries, please contact info@spec.org.

Tested with SPEC CPU®2017 v1.1.8 on 2022-08-21 22:19:27-0400.

Report generated on 2022-09-13 16:58:00 by CPU2017 PDF formatter v6442.

Originally published on 2022-09-13.