

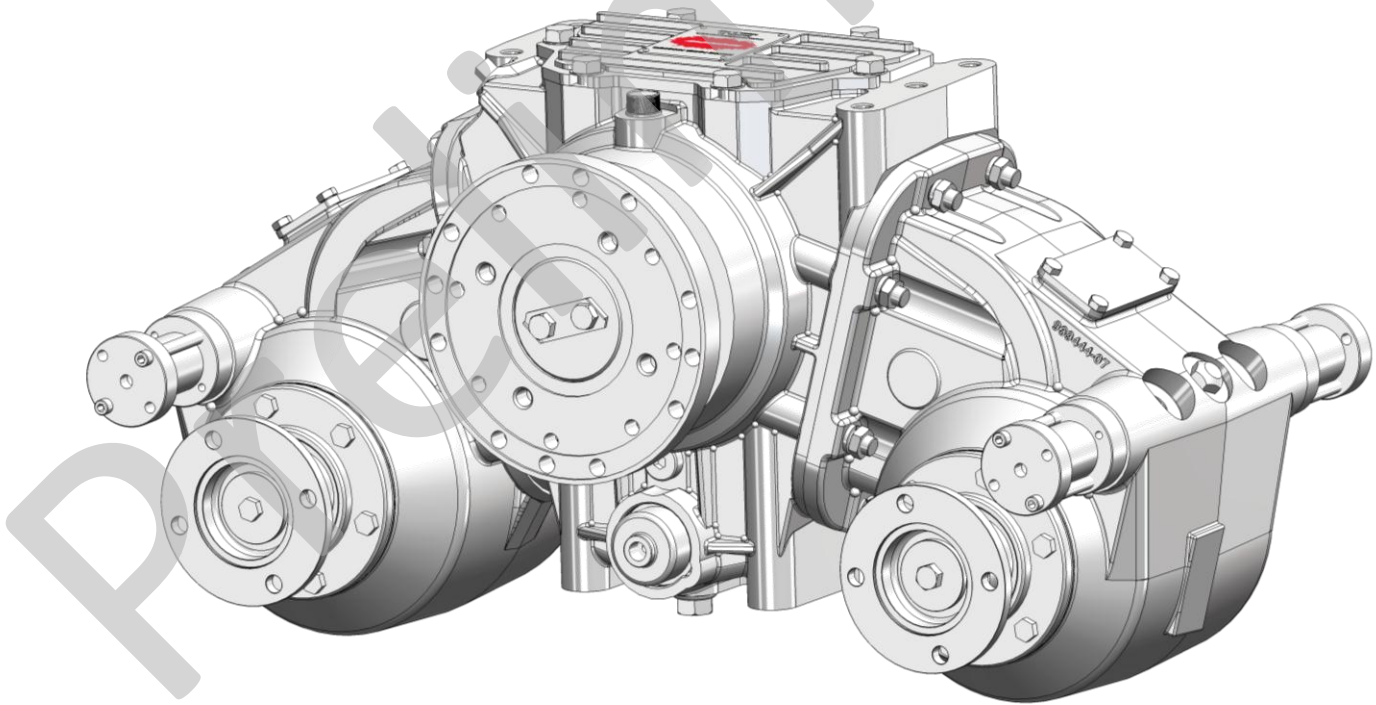


**Muncie<sup>®</sup>  
Power  
Products**

# SS66/SS88

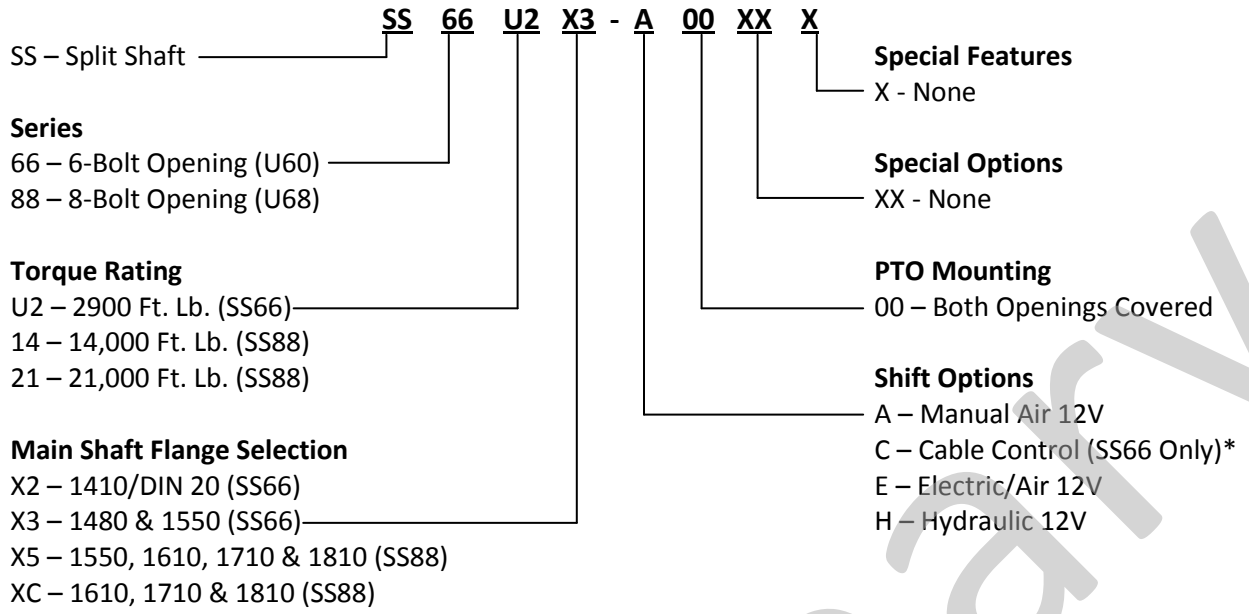
## Split Shaft PTO

Parts List and Service Manual



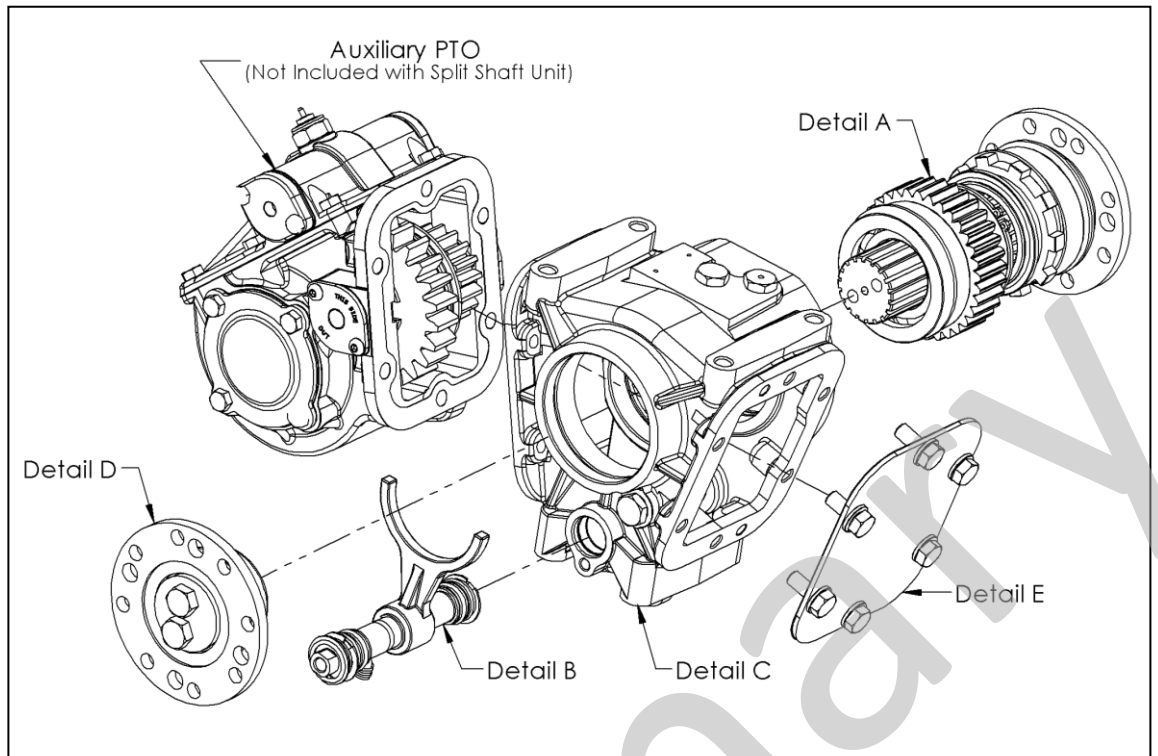
Auxiliary PTO's are an example installation and are not included with splitshaft PTO

### Model Number Construction



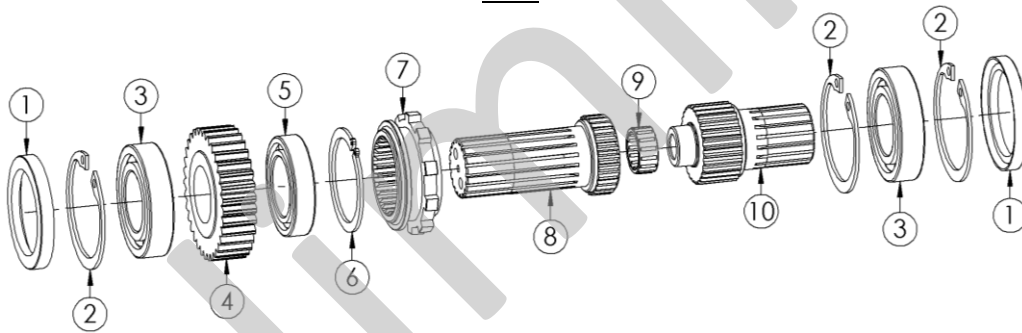
Preliminary

SS66/SS88  
Exploded View  
(SS66 Shown)

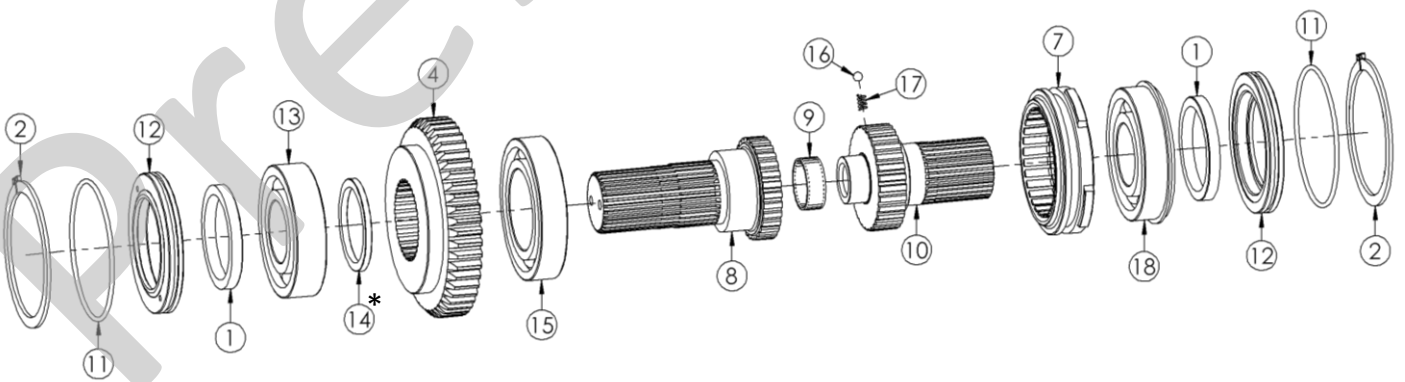


Detail A – Main Shaft Assembly

SS66



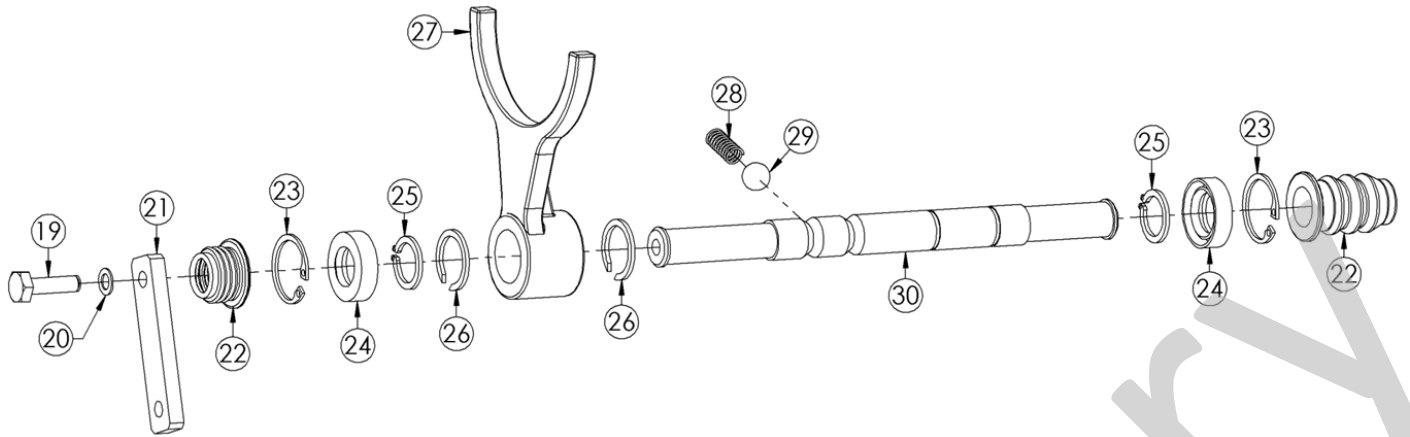
SS88 - 14/21



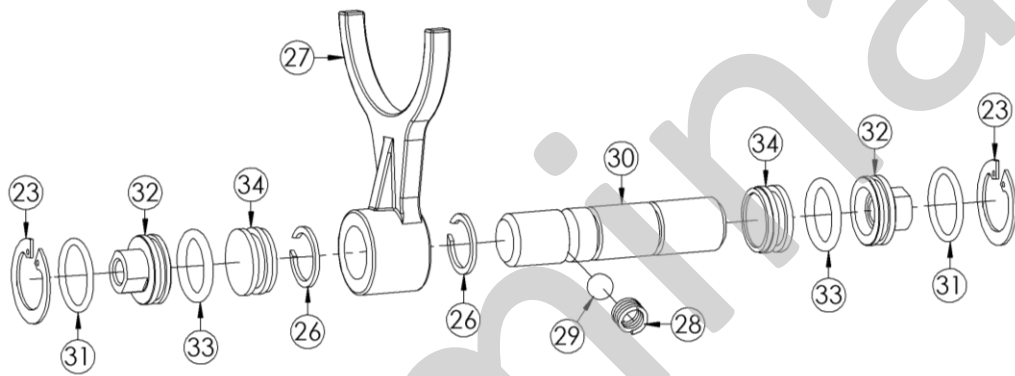
\*Item 14 is a spacer that is only used with the SS88 – 21 shaft assembly

### Detail B - Shifter Assembly

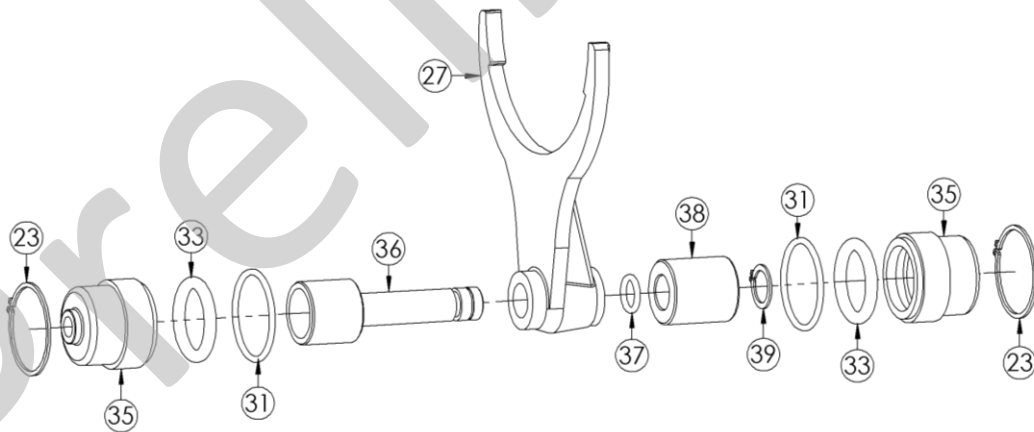
#### SS66 – Cable Shift Assembly



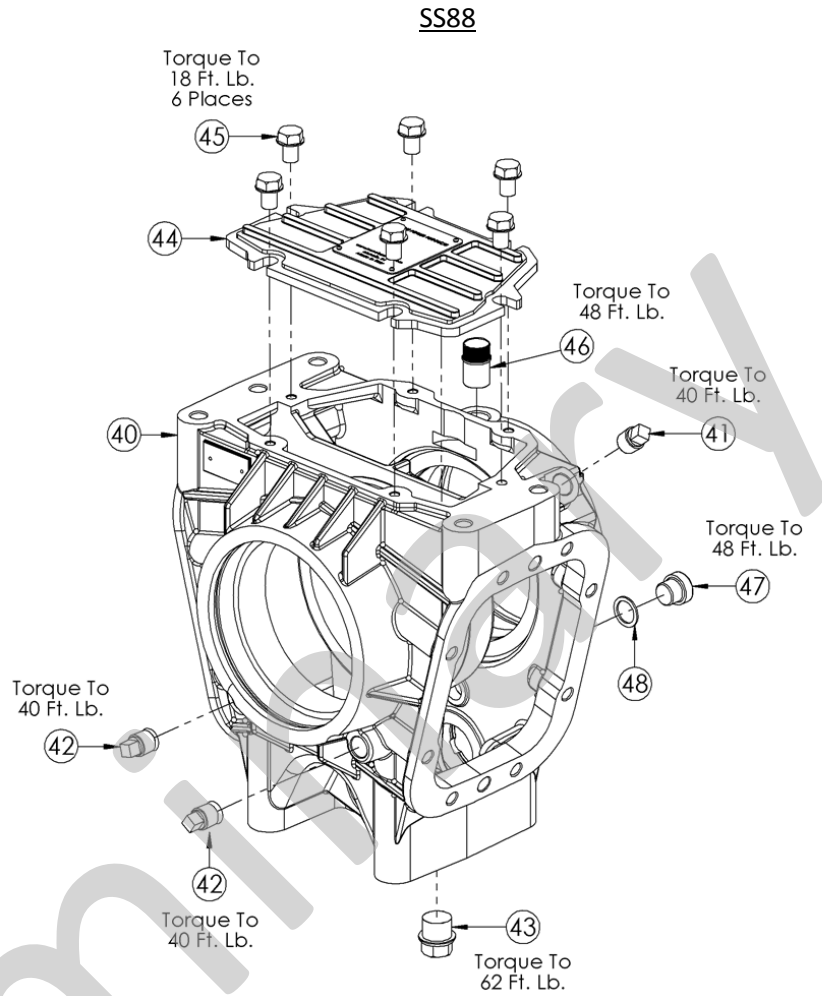
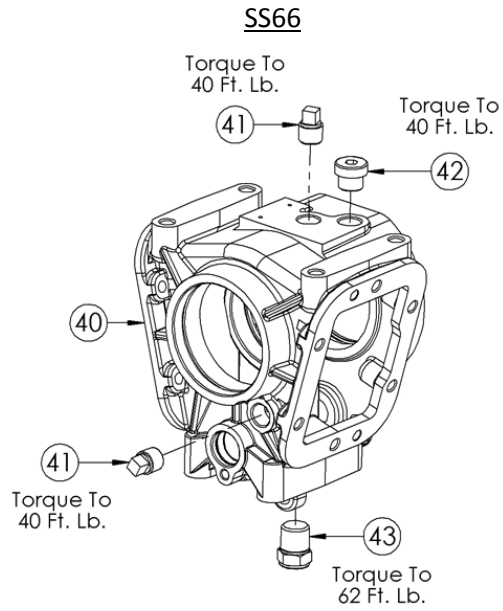
#### SS66 – Air Shift Assembly



#### SS88 – Air Shift Assembly

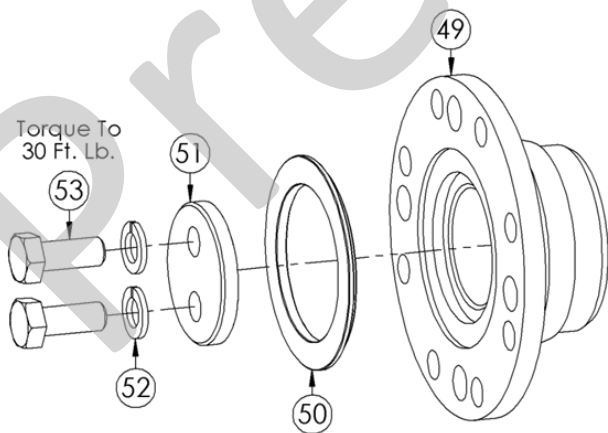


### Detail C – PTO Housing

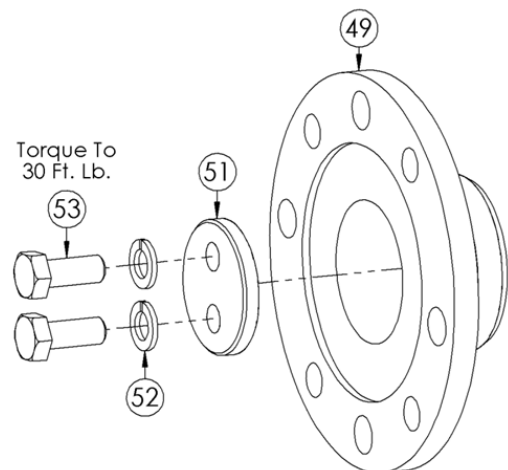


### Detail D – Flange Assembly

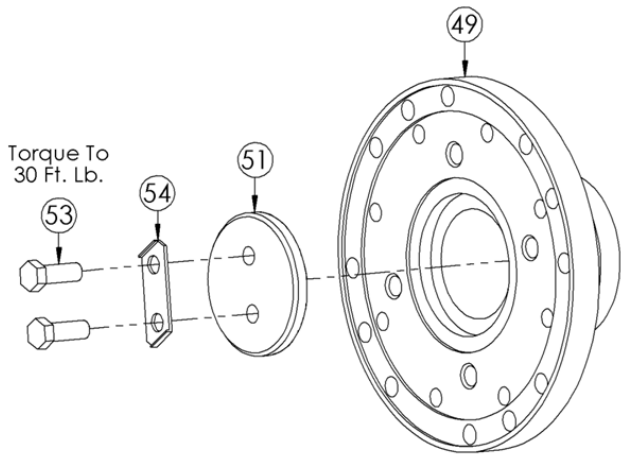
**SS66 – 1410/DIN 20 Flange**



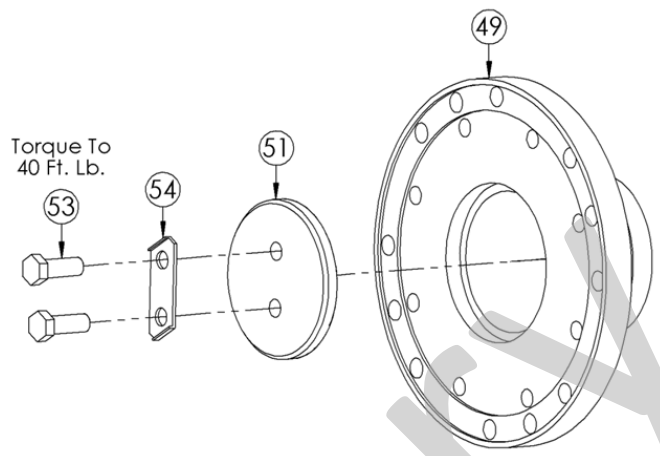
**SS66 – 1480/1550 Flange**



SS88 - 14 - 1550, 1610, 1710 & 1810 Flange

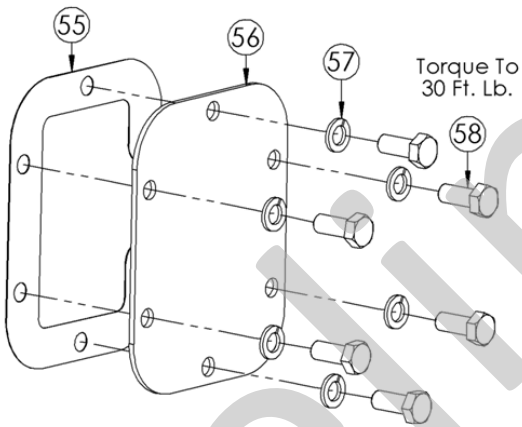


SS88 - 21 - 1610, 1710 & 1810 Flange

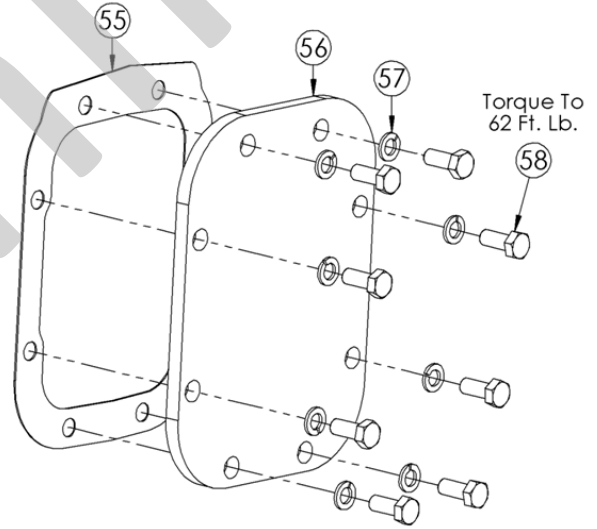


**Detail E – Cover Kit**

SS66



SS88



## Parts List and Description

### SS66

<u>ITEM</u>	<u>QTY</u>	<u>PART NO.</u>	<u>DESCRIPTION</u>
<u>Detail A</u>			
01	2	0080108100	Seal 65x85x10
02	3	0070202900	Snap Ring
03	2	10T35775	Bearing
04	1	1110310800	Gear 23T
05	1	10T38248	Bearing
06	1	0070204400	Snap Ring
07	1	1170207900	Shifter Sleeve
08	1	1130115900	Shaft
09	1	0100601800	Needle Bearing
10	1	1130115800	Shaft
<u>Detail B</u>			
19	1	0010102700	Capscrew M6x20
20	1	0040400400	Washer
21	1	1990024900	Lever
22	2	1990025100	Rubber Boot
23	2	0070500500	Snap Ring (Cable Shift)
	2	0070203400	Snap Ring (Air Shift)
24	2	0080100400	Seal 15x26x7
25	2	0070102700	Snap Ring
26	2	0070300600	Snap Ring (Cable Shift)
	2	0070300100	Snap Ring (Air Shift)
27	1	1220104500	Fork
28	1	1280100300	Coil Spring
29	1	0110100200	Ball 3/8"

<u>ITEM</u>	<u>QTY</u>	<u>PART NO.</u>	<u>DESCRIPTION</u>
30	1	1140307400	Shaft (Cable Shift)
	1	1140307600	Shaft (Air Shift)
31	2	0080206700	O-ring
32	2	1240106700	Cover
33	2	0080201400	O-ring
34	2	1210201600	Piston
<u>Detail C</u>			
40	1	1010501200	SS66 Housing
41	2	0120104900	Filler/Breather M18x1.5
42	1	0120103800	Filler/Breather M18x1.5
43	1	0120100200	Drain Plug M22x1.5

<u>ITEM</u>	<u>QTY</u>	<u>PART NO.</u>	<u>DESCRIPTION</u>
<u>Detail D</u>			
49	1	1160401000	1410/DIN 20 Flange
	1	1160103300	1480/1550 Flange
50	1	1270212300	Centering Ring (1410 Only)
51	1	1270212900	Washer
52	2	0040400100	Lock Washer
53	2	0010100400	Capscrew M10x25

<u>ITEM</u>	<u>QTY</u>	<u>PART NO.</u>	<u>DESCRIPTION</u>
<u>Detail E</u> (Kit 2990230000 – Includes items 54-57 below)			
55	1	1290100100	Gasket
56	1	0990000500	SAE Cover
57	6	0040200300	Lock Washer
58	6	0010100300	Capscrew M10x16

### SS88

<u>ITEM</u>	<u>QTY</u>	<u>PART NO.</u>	<u>DESCRIPTION</u>
<u>Detail A</u>			
01	2	0080109100	Seal 90x110x12
02	2	0070204600	Snap Ring
04	1	1110310700	Gear 50T (14 Only)
	1	1110310900	Gear 50T (21 Only)
07	1	1170208000	Shifter Sleeve
08	1	1130115200	Shaft (14 Only)
	1	1130119300	Shaft (21 Only)
09	1	0100601700	Needle Bearing
10	1	1130115100	Shaft (14 Only)
	1	1130119400	Shaft (21 Only)
11	2	0080214000	O-ring
12	2	1270212200	Ring
13	1	0100104000	Bearing (14 Only)
	1	0100302100	Bearing (21 Only)
14	1	1260112200	Spacer (21 Only)
15	1	0100104200	Bearing
16	1	0110100200	Ball 3/8"
17	1	1280100600	Spring
18	1	0100302200	Bearing

<u>ITEM</u>	<u>QTY</u>	<u>PART NO.</u>	<u>DESCRIPTION</u>
<u>Detail C</u>			
40	1	1010501800	SS88 Housing
41	1	0120104900	Plug M18x1.5
43	1	0120100200	Drain Plug M22x1.5
44	1	1240109400	Housing Cover
45	6	0010107600	Capscrew M8x20
46	1	0120111500	Filler/Breather Plug 1/2" BSSP
47	1	0120113300	Plug M18x1.5
48	1	0040109500	Washer 18x24x1.5

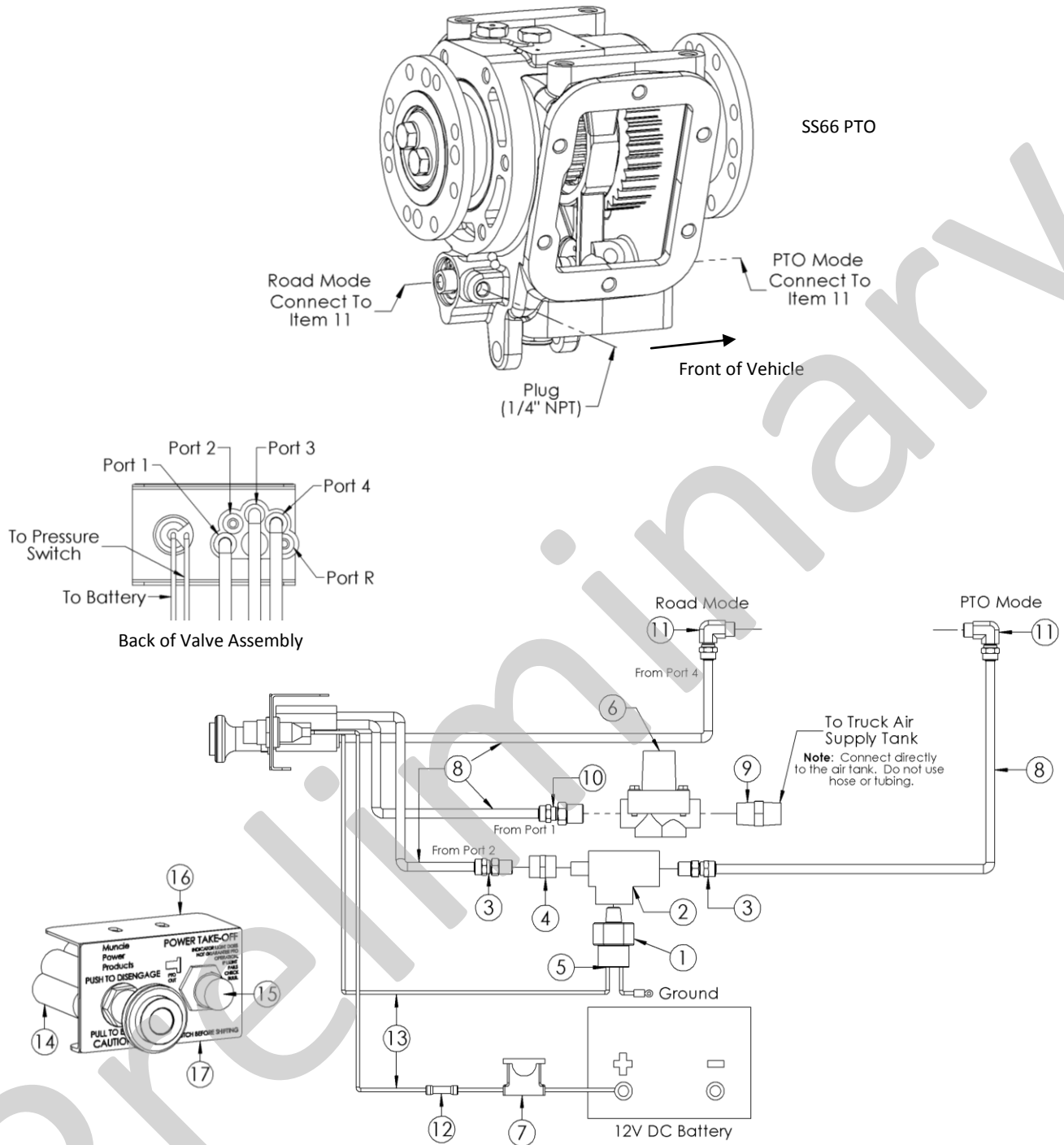
<u>ITEM</u>	<u>QTY</u>	<u>PART NO.</u>	<u>DESCRIPTION</u>
<u>Detail D</u>			
49	1	1160400900	1550/1610/1710/1810 Flange (14 Only)
	1	1160401100	1610/1710/1810 Flange (21 Only)
51	1	1270212400	Washer (14 Only)
	1	1270219100	Washer (21 Only)
54	1	1990024400	Securing Tab (14 Only)
	1	1990038700	Securing Tab (21 Only)
53	2	0010101400	Capscrew M10x30 (SS66/SS88-14 Only)
	2	0010123400	Capscrew M12x45 (SS88-21 Only)

<u>ITEM</u>	<u>QTY</u>	<u>PART NO.</u>	<u>DESCRIPTION</u>
<u>Detail B</u>			
23	2	0070500200	Snap Ring
27	1	1220104400	Fork
31	2	0080213800	O-ring
33	2	0080213700	O-ring
35	2	1080100100	Cylinder
36	1	1210103000	Piston
37	1	0080213600	O-ring
38	1	1210203800	Piston
39	1	0070102200	Snap Ring

<u>ITEM</u>	<u>QTY</u>	<u>PART NO.</u>	<u>DESCRIPTION</u>
<u>Detail E</u> (Kit 299B2850000 – Includes items 54-57 below)			
55	1	1290153400	Gasket
56	1	1240112400	SAE Cover
57	8	0040200400	Lock Washer
58	8	0010101000	Capscrew M12x30

### SS66/SS88 Activation Kits

SS66 Manual Air: A-Option – 48TK4985

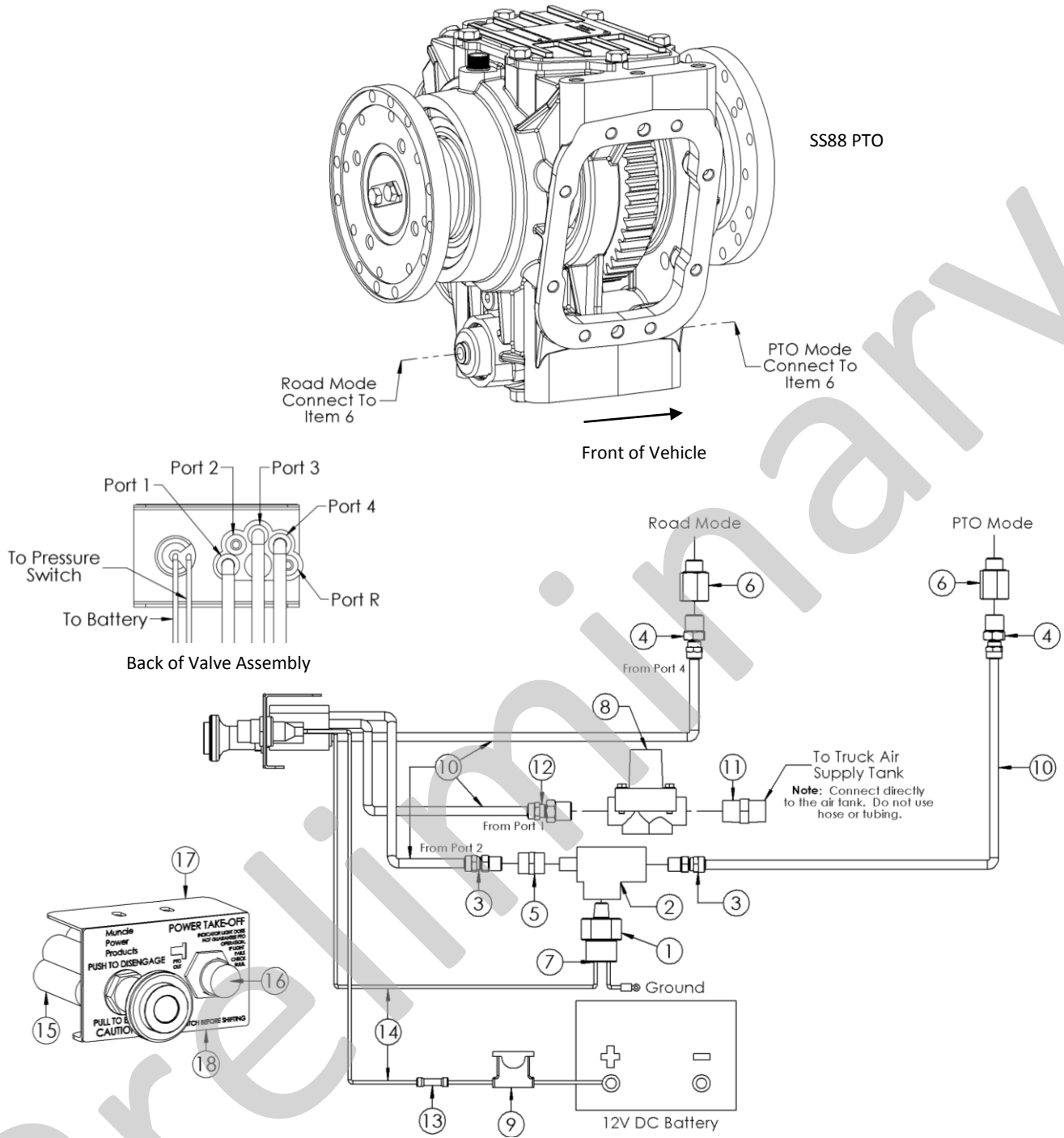


ITEM	QTY	PART NO	DESCRIPTION
<b>Activation Kit 48TK4985</b>			
1	1	30T37954	Pressure Switch
2	1	44MB2252	1/8" NPT Street Tee
3	2	44MB6842	1/8" NPT Fitting
4	1	44T35791	Fitting
5	1	34T36941	Pig Tail
<b>Activation Kit 48M61261A (Included in 48TK4985)</b>			
6	1	31M15759	Pressure Protection Valve
7	1	33T36299	Fuse Assembly
8	1	45M44430	Air Tubing 30 Ft.
9	1	44MB2164	1/4" NPT Nipple

ITEM	QTY	PART NO	DESCRIPTION
10	1	44MB6844	1/4" NPT Fitting
11	2	44MB6942	Elbow Fitting
12	3	34M18002	End Crimp
13	12.5 Ft.	37M18000	Electrical Wire
14	1	35T37955	Air Valve
15	1	32M12001	PTO Light - 12v DC
16	1	36T38049	Dash Bracket
17	1	36T38016	Face Plate
N.S.	1	34T38163	Booted Connector
N.S.	1	36MK1007	Bolt Kit

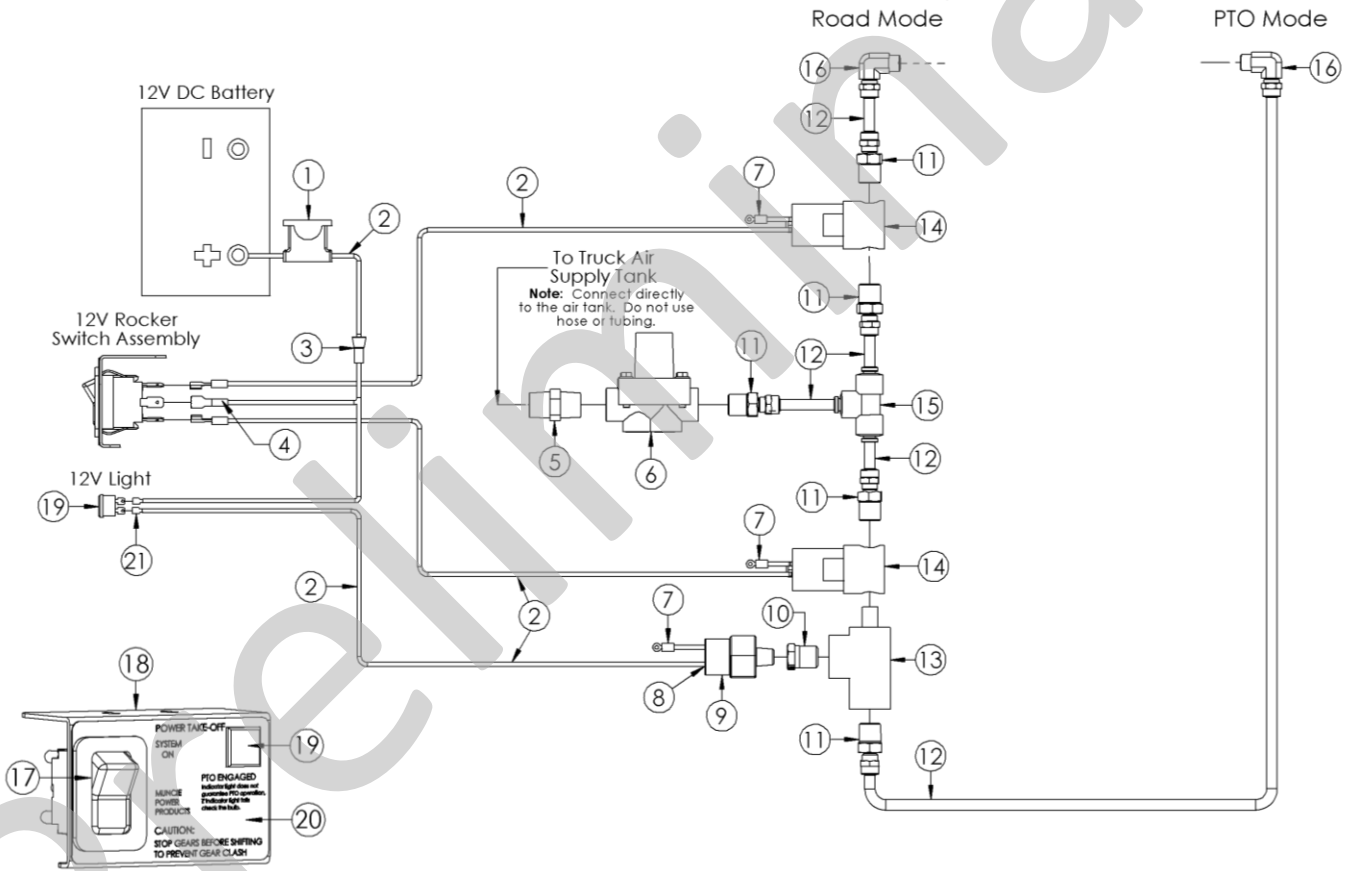
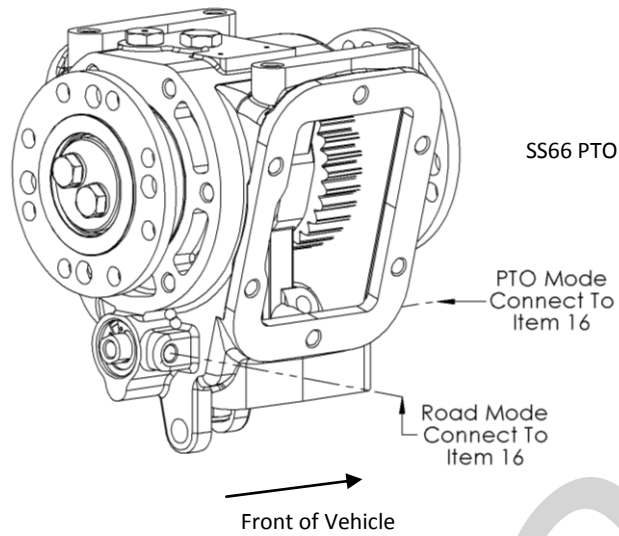


SS88 Manual Air: A-Option – 48TK4428



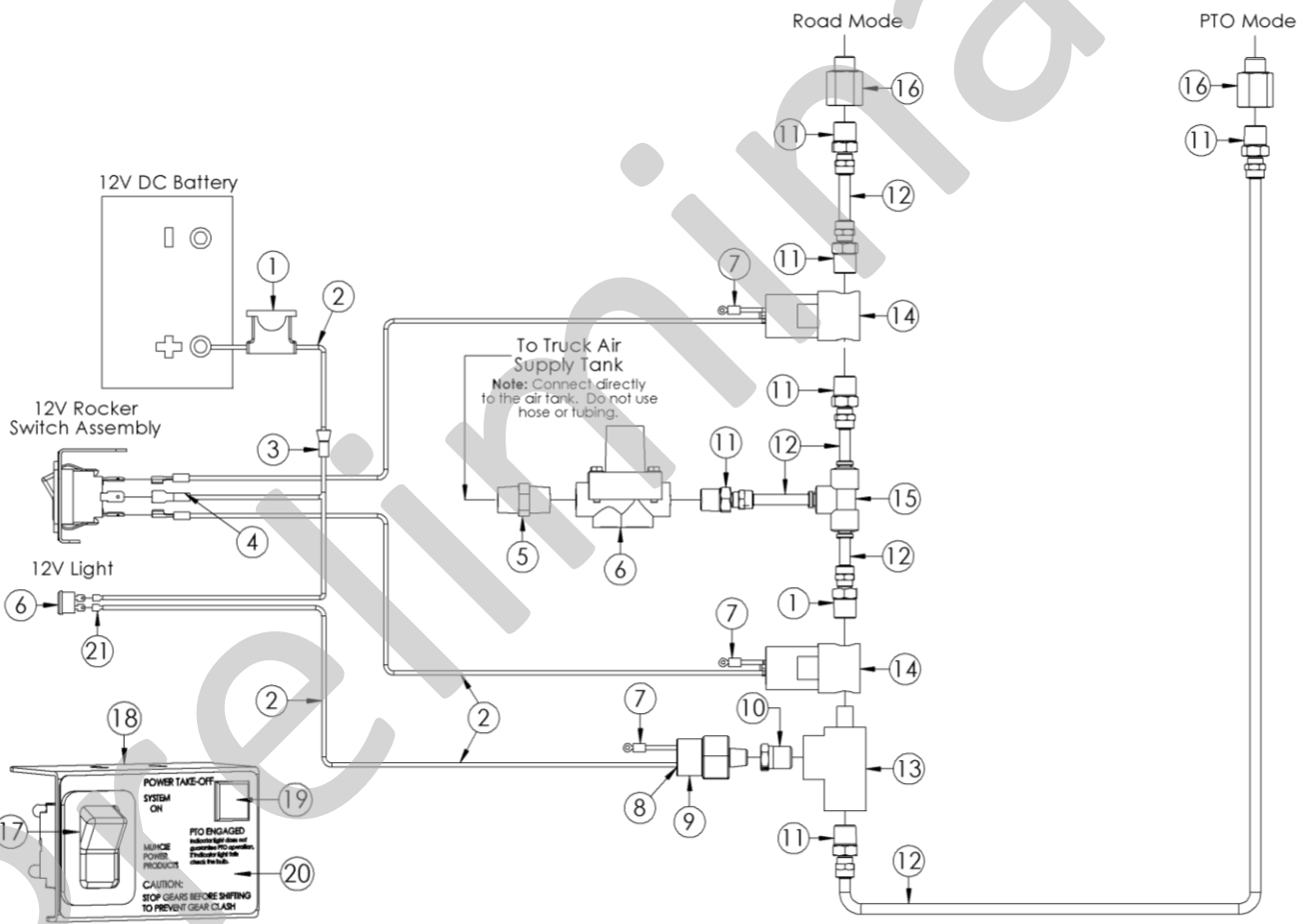
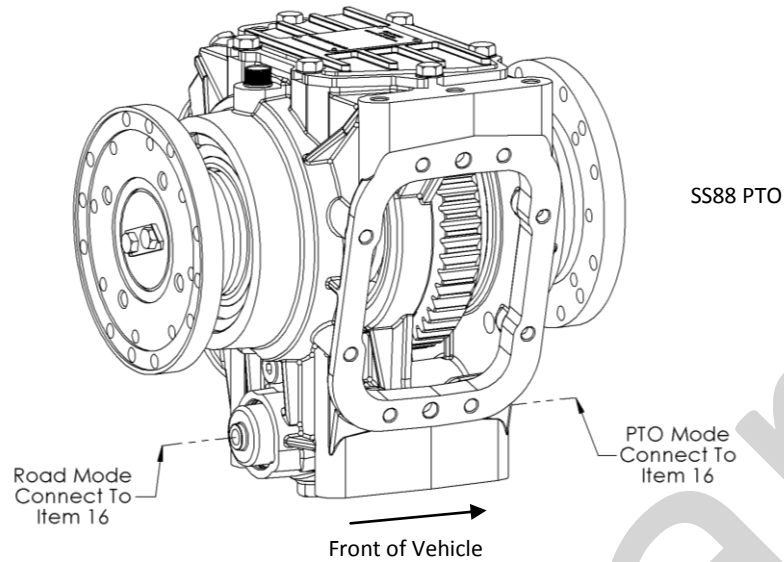
ITEM	QTY	PART NO	DESCRIPTION
<b>Activation Kit 48TK4428</b>			
1	1	30T37954	Pressure Switch
2	1	44MB2252	1/8" NPT Street Tee
3	2	44MB6842	1/8" NPT Fitting
4	2	44MB6844	Fitting
5	1	44T35791	Pipe Coupling
6	2	44T38628	12mm x 1/4 NPT Adapter
7	1	34T36941	Pig Tail
<b>Activation Kit 48M61261A (Included in 48TK4428)</b>			
8	1	31M15759	Pressure Protection Valve
9	1	33T36299	Fuse Assembly

ITEM	QTY	PART NO	DESCRIPTION
10	1	45M44430	Air Tubing 30 Ft.
11	1	44MB2164	1/4" NPT Nipple
12	1	44MB6844	Fitting
13	3	34M18002	End Crimp
14	12.5 Ft.	37M18000	Electrical Wire
15	1	35T37955	Air Valve
16	1	32M12001	PTO Light - 12v DC
17	1	36T38049	Dash Bracket
18	1	36T38016	Face Plate
N.S.	1	34T38163	Booted Connector
N.S.	1	36MK1007	Bolt Kit



ITEM	QTY	PART NO	DESCRIPTION
1	1	33T36299	Fuse Assembly
2	12 Ft.	37M18000	18 Ga. Red Wire
3	6	34T36362	Crimp Connector
4	3	34M18250	Female Spade Connector (1/4")
5	1	44MB2164	1/4" NPT Nipple
6	1	31M15759	Pressure Protection Valve
7	3	34M18009	Ring Terminal
8	1	34T36941	Harness Pigtail
9	1	30T37954	Pressure Switch
10	1	44MB0942	Reducer Bushing
11	5	44MB6844PTC	Push To Connect Tube Fitting

ITEM	QTY	PART NO	DESCRIPTION
12	1	45M44430	Air Tubing 30 Ft.
13	1	44MB2254	1/4" NPT Street Tee
14	2	35M30692	12V Solenoid NC
15	1	44T40394	1/4" Tee Fitting
16	2	44MB6942PTC	Push To Connect Elbow Fitting
17	1	30T41994	12V Rocker Switch
18	1	36MA1005	Dash Bracket
19	1	32MSR12V	12V Light
20	1	36T35431	Face Plate
21	2	34M18187	Female Spade Connector (3/16")
22	N.S.	36MK1007	Bolt Kit

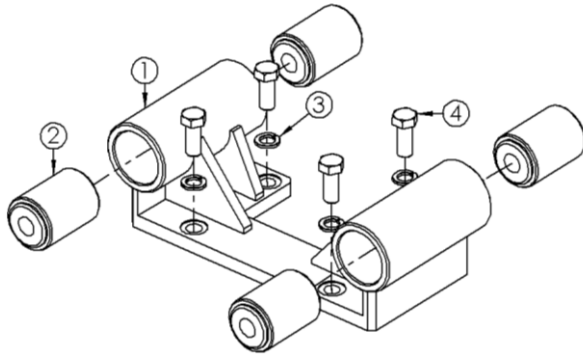


ITEM	QTY	PART NO	DESCRIPTION
1	1	33T36299	Fuse Assembly
2	12.5 Ft.	37M18000	18 Ga. Red Wire
3	6	34T36362	Crimp Connector
4	3	34M18250	Female Spade Connector (1/4")
5	1	44MB2164	1/4" NPT Nipple
6	1	31M15759	Pressure Protection Valve
7	3	34M18009	Ring Terminal
8	1	34T36941	Harness Pigtail
9	1	30T37954	Pressure Switch
10	1	44MB0942	Reducer Bushing
11	7	44MB6844PTC	Push To Connect Tube Fitting

ITEM	QTY	PART NO	DESCRIPTION
12	1	45M44430	Air Tubing 30 Ft.
13	1	44MB2254	1/4" Street Tee
14	2	35M30692	12V Solenoid NC
15	1	44T40394	1/4" Tee Fitting
16	2	44T38628	12mm x 1/4" NPT Adapter
17	1	30T41994	12V Rocker Switch
18	1	36MA1005	Dash Bracket
19	1	32MSR12V	12V Light
20	1	36T35431	Face Plate
21	2	34M18187	Female Spade Connector (3/16")
22	N.S.	36MK1007	Bolt Kit

## SS66/SS88 Kits

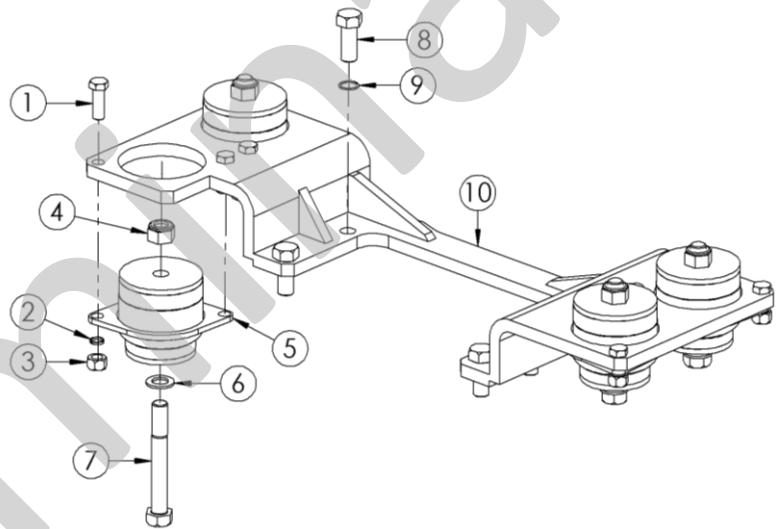
### SS66 Support Bracket – 2991970000



ITEM	QTY	PART NO	DESCRIPTION
1	1	1243Z197000	Bracket
2	4	09900675000	Silent Block
3	4	05100012000	Lockwasher
4	4	02112030000	Capscrew M12x30

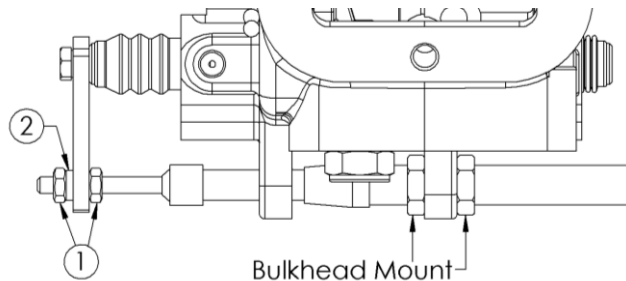
### SS88 Support Bracket– 299K2870000

ITEM	QTY	PART NO	DESCRIPTION
1	8	0010101400	Capscrew M10 x 30
2	8	0040200300	Lock Washer
3	8	0030100400	Hex Nut M10
4	4	0030200200	Hex Nut M14
5	4	0990018800	Suspension Element
6	4	0040112300	Washer
7	4	0010107800	Capscrew M14 x 110
8	5	0010107900	Capscrew M14
9	5	0040201000	Lock Washer
10	1	XXXXXXXXXX	Bracket



### SS66 Cable Kit – 28TK4426

ITEM	QTY	PART NO	DESCRIPTION
1	2	22MX1032	Jam Nut
2	1	21M11100	Lockwasher

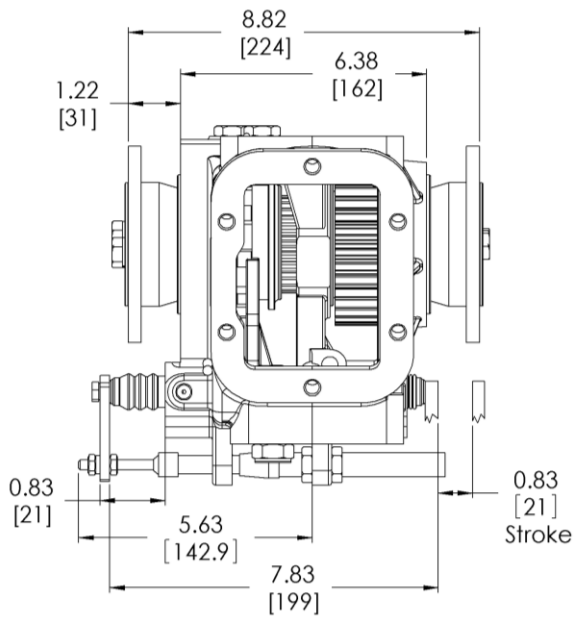


Cable control sold separately

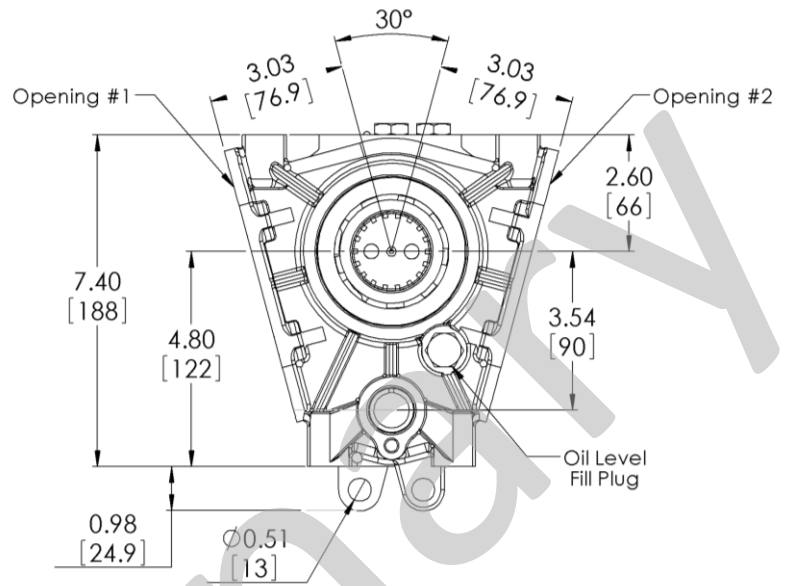
Cable Shown: 55 Series with a 2" travel and a bulkhead mount  
 Cable Number: KB55-BM-2-XXX (XXX – Length in inches)

## Dimensional Information

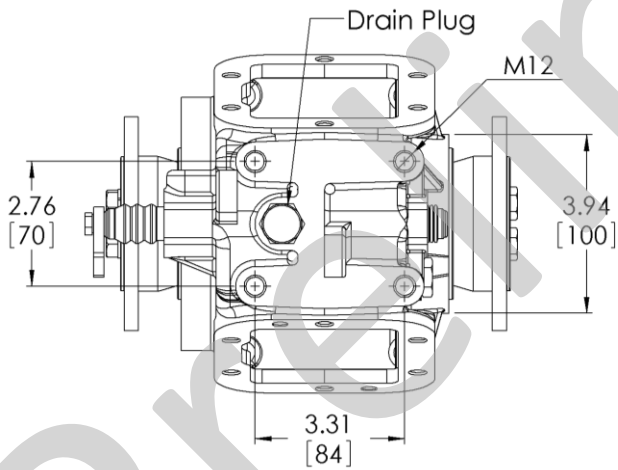
### SS66 PTO



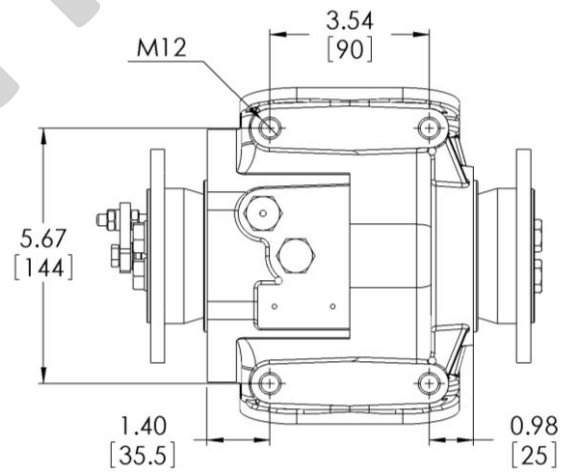
Side View



Front View



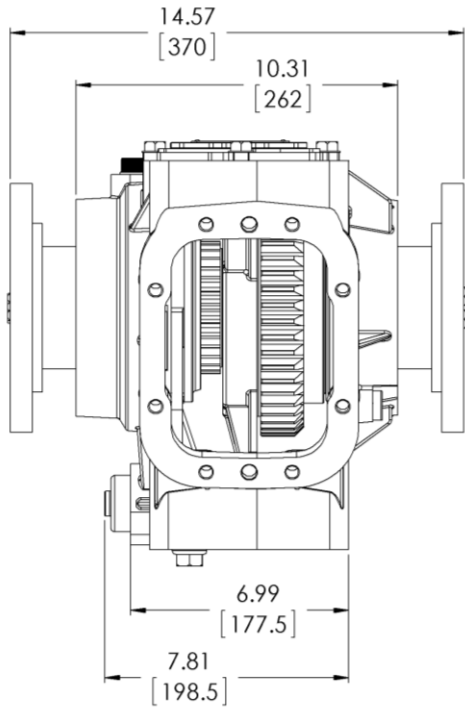
Bottom View



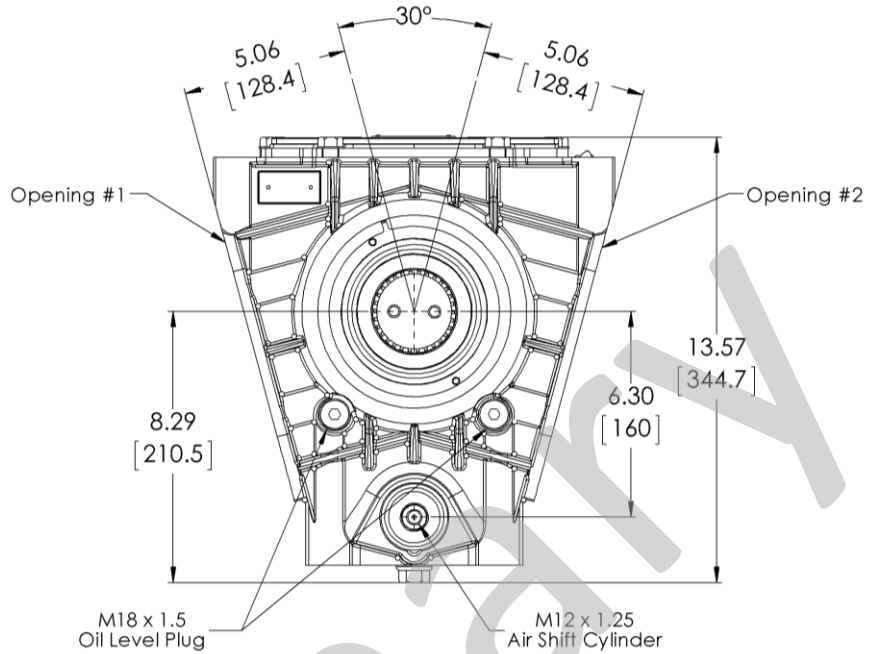
Top View

Front of Vehicle  
→

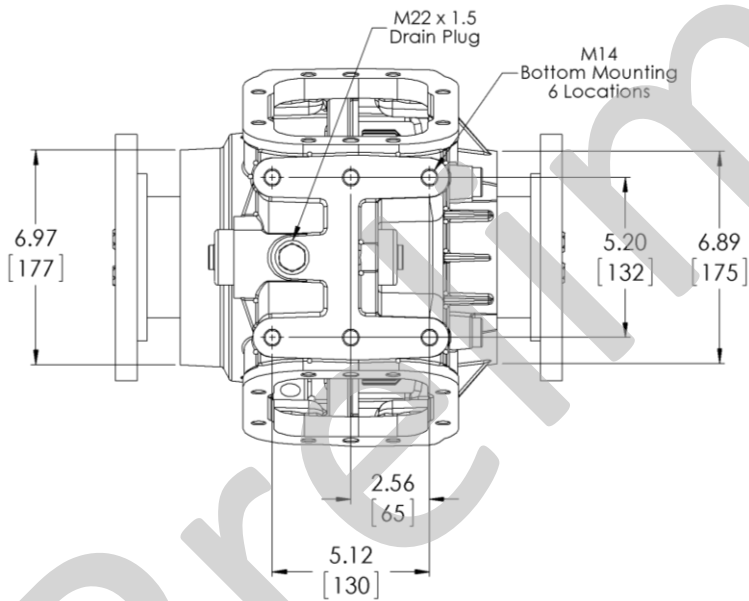
**SS88 PTO**



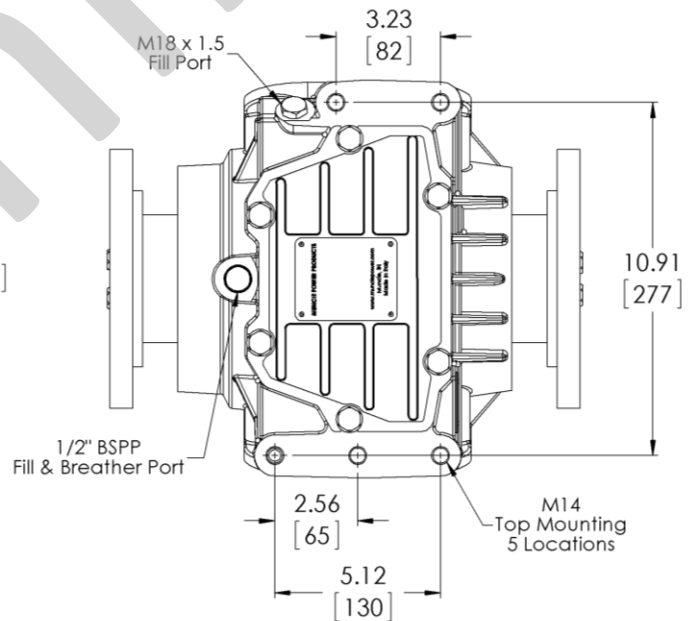
**Side View**



**Front View**

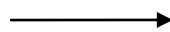


**Bottom View**



**Top View**

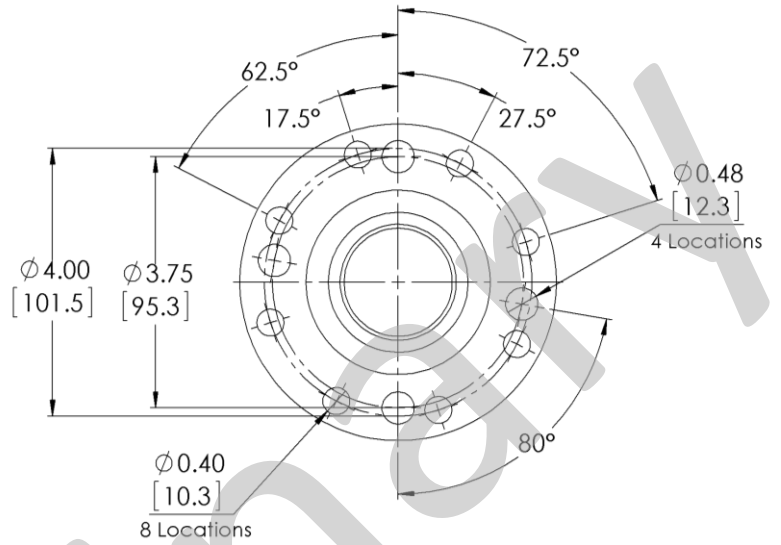
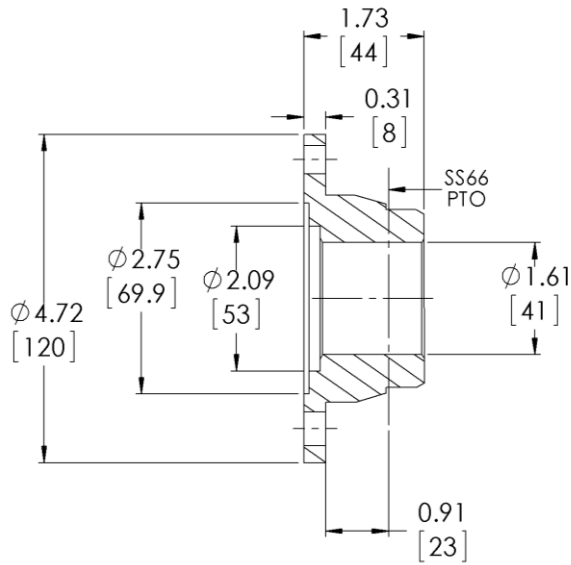
Front of Vehicle



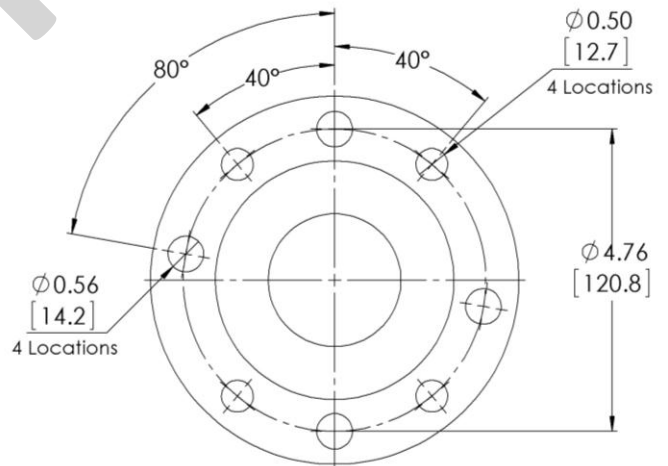
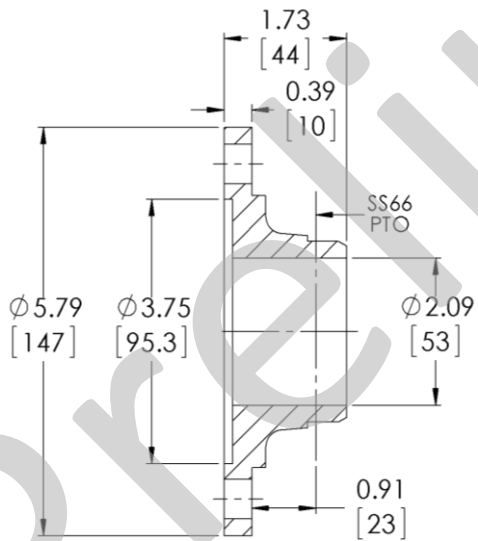
## Main Shaft Flanges

SS66 PTO

1410/DIN 20 Flange



1480/1550 Flange

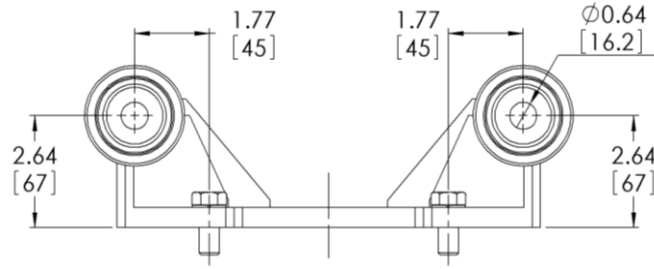




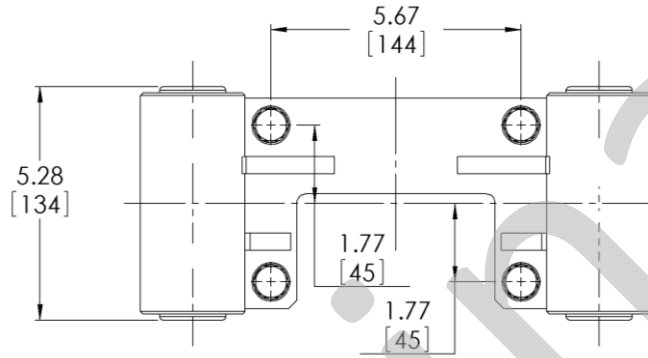


SS66 Support Bracket Kit – 2991970000\*

Front View

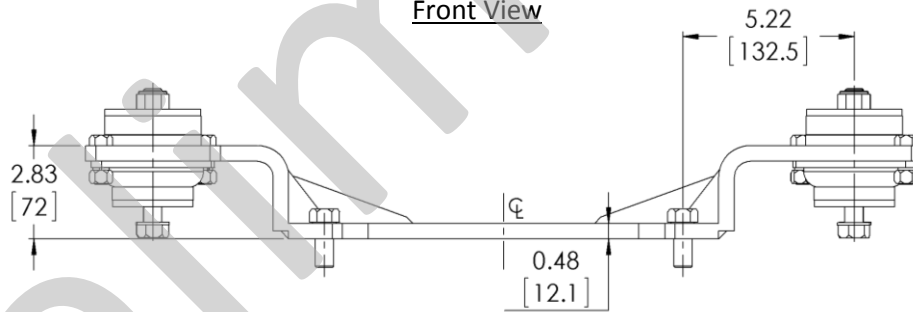


Top View

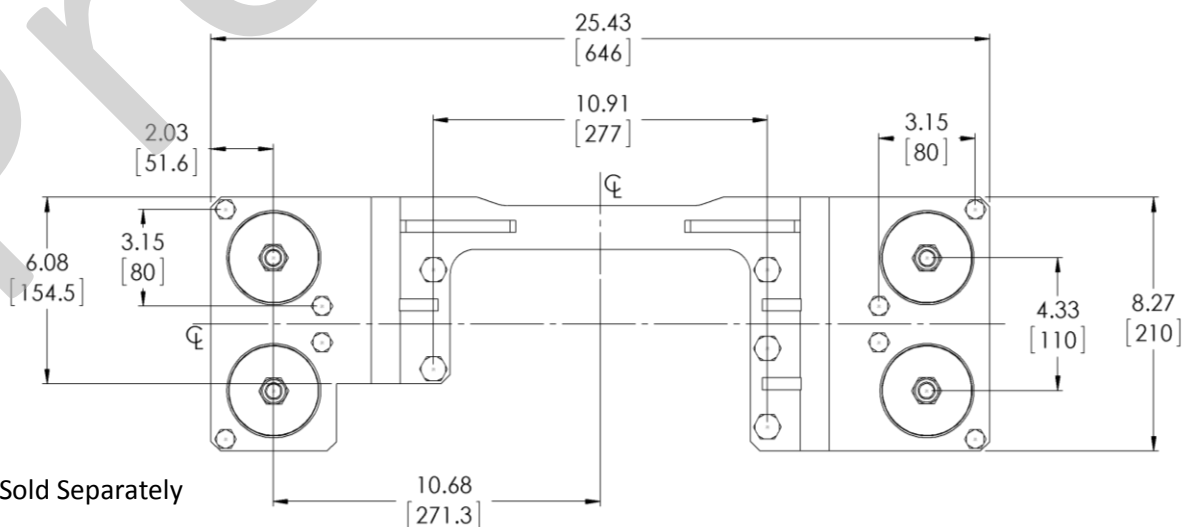


SS88 Support Bracket Kit – 299K2870000\*

Front View



Top View



\*Kit Sold Separately

Preliminary



SP11-04 – Preliminary Printed in the U.S.A.  
© Muncie Power Products, Inc. 2011

JSB/ENG/01June2011

**Muncie Power Products, Inc.** *Member of the Interpump Hydraulics Group*  
General Offices and Distribution Center • P.O. Box 548 • Muncie, IN 47308-0548  
(765)284-7721 • FAX • (765) 284-6991 • *E-mail* info@munciepower.com  
*Web site* <http://www.munciepower.com>  
Drive Products, Exclusive Agents for Canada, ISO Certified by an Accredited Registrar

