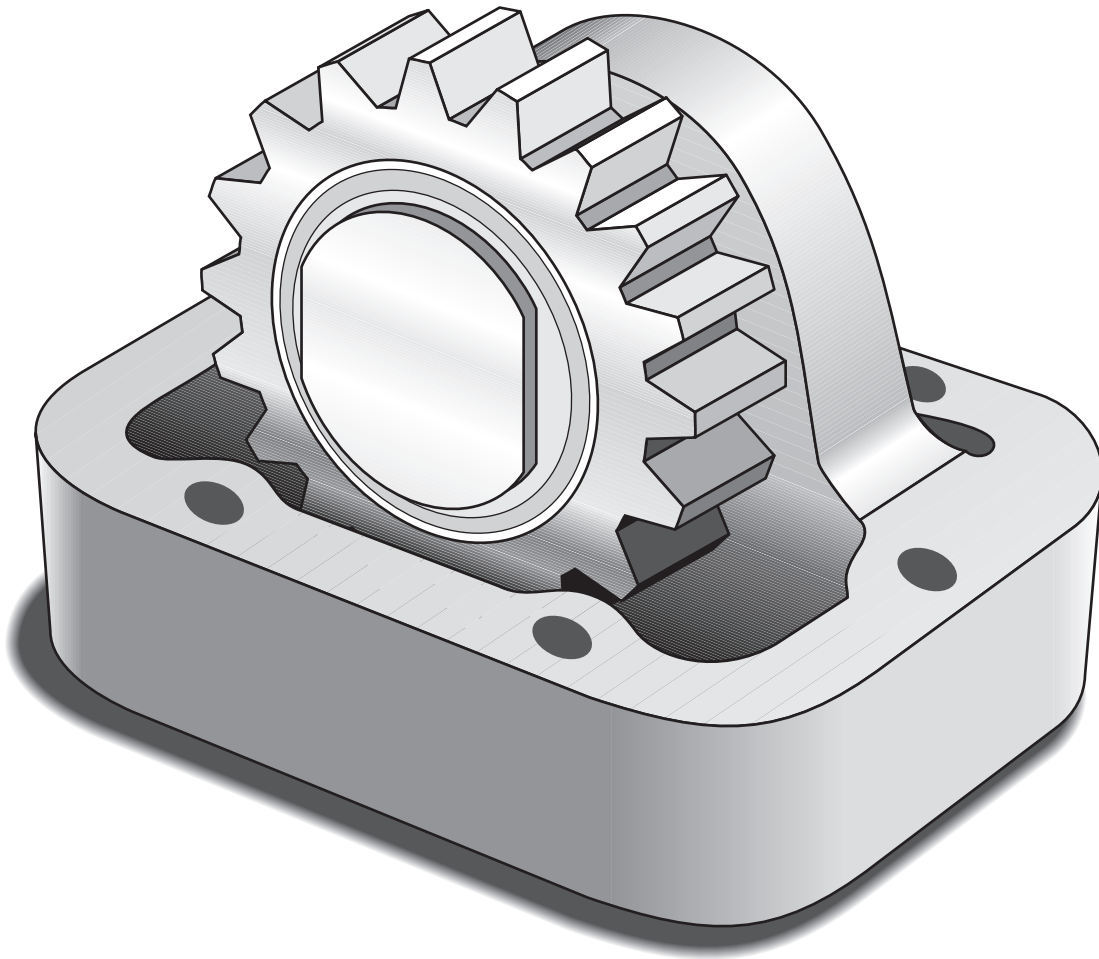




ADAPTER GEAR ASSEMBLIES

PARTS LIST AND SERVICE MANUAL



Adapter Gear Assemblies are normally used to reverse rotation of the PTO output shaft and to clear mounting obstructions. Standard adapters will move the PTO outward from the transmission approximately three inches. Adapters often reduce horsepower ratings and service life.

MOUNTING KIT AND GASKET PACK LIST

MOUNTING KIT

Qty	Item	Description
20MKM100		
4	19T35333	Metric Capscrew
2	19T37014	Metric Capscrew
6	21T35200	Seal Washer
20MKM106		
2	19T35453	Metric Capscrew
4	20M39045	40mm Stud
2	21T35200	Seal Washer
4	22T39282	Spirallock Nut
20MKM111		
4	19T35914	Metric Capscrew
2	19T35915	Metric Capscrew
20MKM113		
5	20M39040	Metric Stud
1	19T35778	Metric Capscrew
5	22T39282	Spirallock Nut
20MKM200		
8	19M1035M	Metric Capscrew
8	21ML10MM	Lockwasher
20MK0102		
5	19M10002	Hex Capscrew
1	19M38100	Socket Capscrew

MOUNTING KIT

Qty	Item	Description
20MK0108		
1	19M38100	Socket Capscrew
5	20M38150	Stud
20MK6600		
6	19M10002	Hex Capscrew
20MK6605		
6	20M38200	Stud
6	22T39282	Spirallock Nut
20MK6613		
6	20M38300	Stud
6	22T39282	Spirallock Nut
20MK6615		
6	20M38325	Stud
6	22T39282	Spirallock Nut
20MK6616		
6	20M38338	Stud
6	22T39282	Spirallock Nut
20MK6617		
6	20M38350	Stud
6	22T39282	Spirallock Nut

MOUNTING KIT

Qty	Item	Description
20MK8808		
7	19M44138	Capscrew
1	20M44200	Stud
8	21ML4375	Lockwasher
1	22MX4420	Hex Nut
20TK4074		
6	20T37990	1.50" Stud
6	22T39282	Spirallock Nut
1	IN99-06	Instruction Sheet
20TK4468		
4	21T38722	Washer
4	19T38753	Metric Capscrew
1	49T38112	Loctite
1	I2547	Instruction Card
20TK4617		
6	19T35778	Metric Capscrew
1	MC9906	Instruction Card
1	13T38145	Anaerobic Sealant
20TK4714		
6	19T39991	Metric Capscrew
1	MC9905	Instruction Card
1	49T38112	Loctite

GASKET PACK

Qty	Item	Description
52MK1000		
2	13M35091	.010 Gasket
2	13M35092	.020 Gasket
52MK1004		
1	13M35151	.010 Gasket
2	13M15152	.020 Gasket
52MK1006		
2	13T35198	.010 Gasket
1	13T35199	.020 Gasket
52MK1007		
1	13M35091	.010 Gasket
1	13M35092	.020 Gasket
2	13T35169	.010 Gasket
1	13T35170	.020 Gasket
52MK1008		
2	13M10010	.010 Gasket
2	13M10020	.020 Gasket
52TK4464		
3	13M35091	.010 Gasket
6	13M35092	.020 Gasket
52TK4710		
2	13M35091	.010 Gasket
2	13M35092	.020 Gasket
1	13T39945	Gasket-Eaton 4305309

ADAPTER TYPES

FIGURE 1 SOLID BODY-SINGLE GEAR

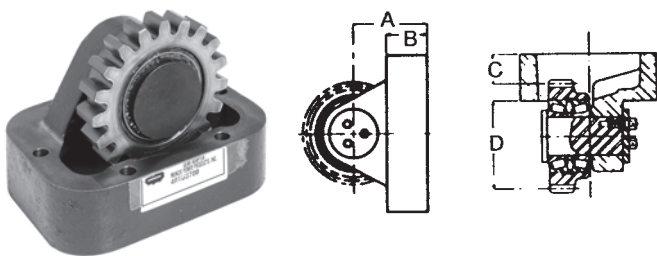


FIGURE 2 FLANGED BODY-SINGLE GEAR

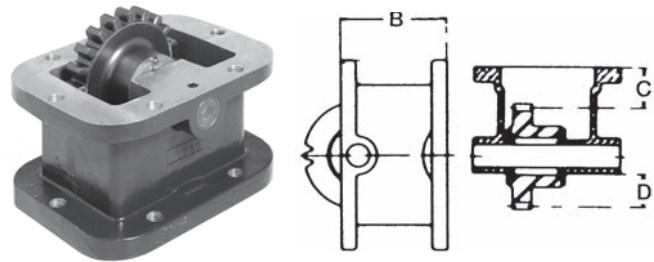


FIGURE 3 VERTICAL OFFSET

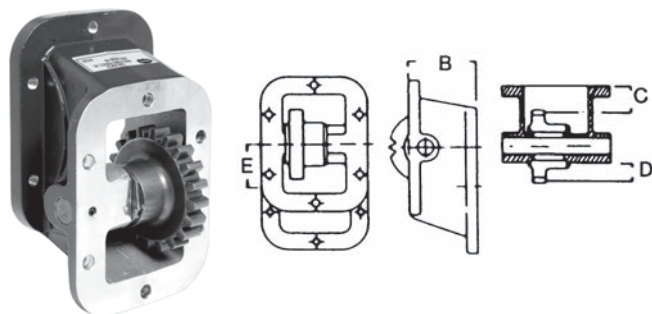
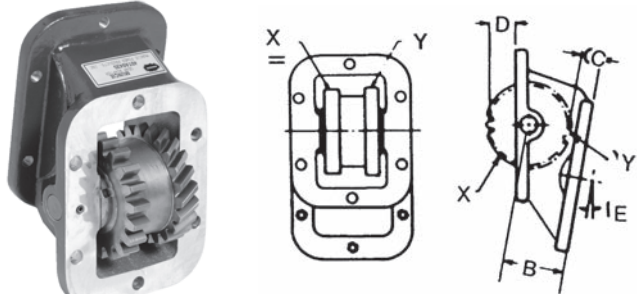


FIGURE 4 ANGULAR OFFSET



DIMENSIONAL DATA

MODEL NO.	FIG.	FOOTNOTE	GEAR DATA		DIMENSIONS			
			APPL.	TEETH	A	B	C	D
40TU6800	1		U68	22	2.917 (74.1)	1.651 (41.9)	1.084 (27.5)	3.099 (78.7)
40TU5700	1	1	U57	19	2.917 (74.1)	1.651 (41.9)	1.017 (25.8)	3.166 (80.4)
40TM6500	1	1	M65	24	2.917 (74.1)	1.651 (41.9)	1.065 (27.1)	3.118 (79.2)
40TA0346	1	5	U57	22	3.255 (82.7)	1.106 (28.1)	1.055 (26.8)	4.349 (110.5)
40TA0403	1	5	U68	24	3.085 (78.4)	0.936 (23.8)	1.085 (27.6)	4.149 (105.4)
40TA0541	2	3, 5	U68	20	—	3.315 (84.2)	1.085 (27.6)	1.105 (28.1)
40TF8500	1		F85	39	3.383 (85.9)	0.617 (15.7)	1.102 (28.0)	5.046 (128.2)

MODEL NO.	FIG.	FOOTNOTE	LOCA.	APPL.	TEETH	B	C	D	E
40TA0810	3	2, 3, 4, 5	—	U68	20	2.825 (71.8)	.642 (16.3)	1.148 (29.2)	1.750 (44.5)
40TA0435	4	3, 4, 5	X	N81	22	2.307 (58.6)	.682 (17.3)	1.108 (28.1)	10°
			Y	U68	20				
40TG7368-1	4	3, 4, 5	X	G73	22	2.307 (58.6)	.682 (17.3)	1.122 (28.5)	10°
			Y	U68	20				
40TG7368-2	4	3, 4, 5	X	U68	20	2.307 (58.6)	.682 (17.3)	1.122 (28.5)	10°
			Y	G73	22				
40TI8410-1&2	4	3, 4, 6	X or Y	I84	28	2.307 (58.6)	.653 (16.6)	1.136 (28.9)	10°
40TM6568-1	4	2, 3, 4, 5	X	M65	22	2.307 (58.6)	.682 (17.3)	1.180 (30.0)	10°
			Y	U68	20				
40TM6568-2	4	2, 3, 4, 5	X	U68	20	2.307 (58.6)	.682 (17.3)	1.180 (30.0)	10°
			Y	M65	22				
40TN7910-1&2	4	3, 4, 6		N79	23	2.307 (58.6)	.634 (16.1)	1.155 (29.3)	10°
40TU6810-1&2	4	2, 3, 4, 5, 6	X or Y	U68	20	2.307 (58.6)	.682 (17.3)	1.147 (29.1)	10°
40TZ9210-1&2	4	3, 4, 5, 6	X or Y	Z92	22	2.307 (58.6)	.835 (21.2)	.954 (24.2)	10°
40TZ9968-1	4	3, 4, 5	X	Z99	31	2.307 (58.6)	.682 (17.3)	1.253 (31.8)	10°
			Y	U68	20				
40TZ9968-2	4	3, 4, 5	X	U68	20	2.307 (58.6)	.682 (17.3)	1.253 (31.8)	10°
			Y	Z99	31				
40TZ1068-1	4	3, 4, 5	X	Z10	31	2.307 (58.6)	.682 (17.3)	1.175 (29.8)	10°
			Y	U68	20				
40TZ1068-2	4	3, 4, 5	X	U68	20	2.307 (58.6)	.682 (17.3)	1.175 (29.8)	10°
			Y	Z10	31				
40TF8430-1&2	4	3, 4, 6	X or Y	F84	27	2.929 (74.4)	1.007 (25.6)	1.081 (27.5)	30°
40TA6830-1&2	4	3, 4, 6	X or Y	A68	27	2.842 (72.2)	0.875 (22.2)	1.125 (28.6)	30°

- 1 Shipped with 23M60062S to be used on PTO side of adapter.
- 2 Requires 23M60032S sold separately.
- 3 Includes stud kit to mount adapter.

- 4 The "C" dimension does not reflect the idler shaft offset. This adapter is designed for a standard mount PTO.
- 5 Derate PTO application by 30% when using this adapter.
- 6 Adapter is single gear design.

ADAPTER TYPES

FIGURE 5

ANGULAR

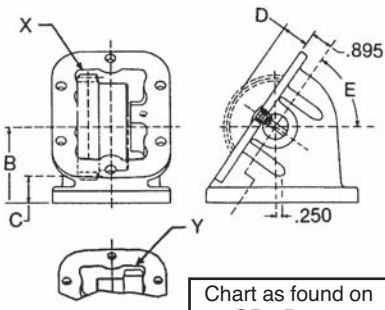


FIGURE 6

8-BOLT TO 6-BOLT

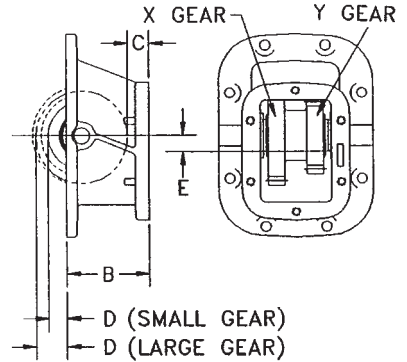
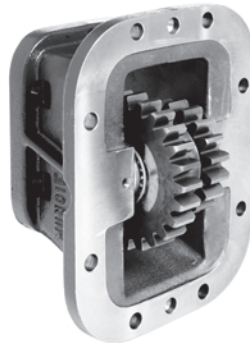


FIGURE 7

ISUZU ADAPTERS

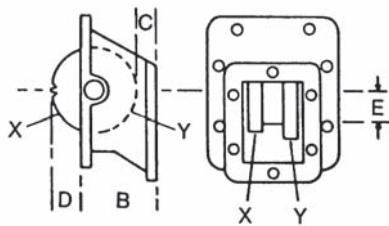
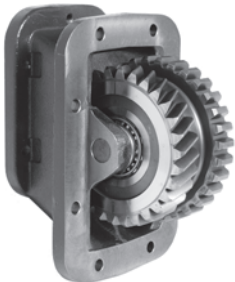


FIGURE 8

NISSAN ADAPTER

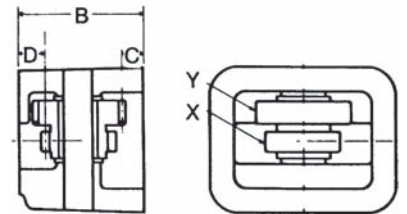


FIGURE 9

HORIZONTAL OFFSET

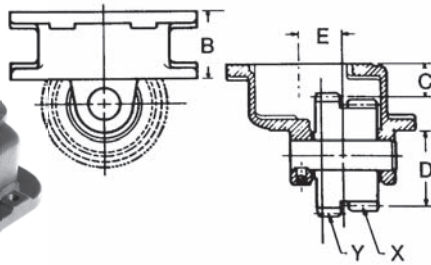
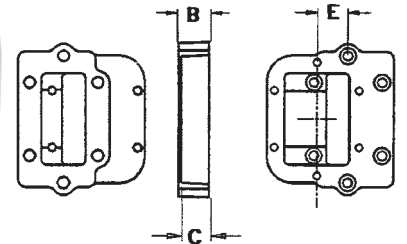


FIGURE 10

MITSUBISHI/NISSAN ADAPTER*



*NISSAN MODEL SHOWN

FIGURE 11

SINGLE GEAR OFFSET

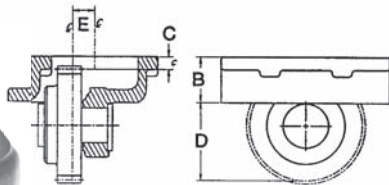
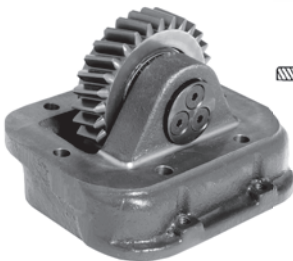


FIGURE 12

6-BOLT MACK ADAPTER

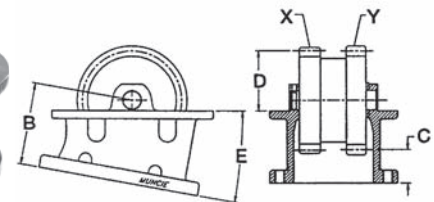
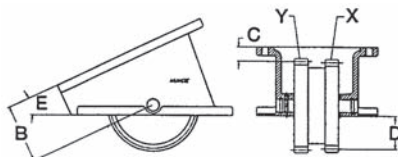
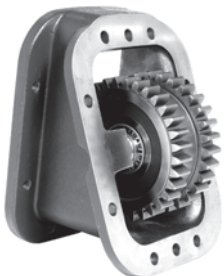


FIGURE 13

8-BOLT MACK ADAPTER



Footnotes for page 5

- 1 Shipped with 23M60062S to be used on PTO side of adapter.
- 2 Requires 23M60032S sold separately.
- 3 Includes stud kit to mount adapter.
- 4 The "C" dimension does not reflect the idler shaft offset. This adapter is designed for a standard mount PTO.
- 5 Derate PTO application by 30% when using this adapter.

MODEL NO.	FIG.	FOOTNOTE	GEAR DATA			DIMENSIONS			
			LOCA.	APPL.	TEETH	B	C	D	E
40TU6855-1&2	5	3, 4	X or Y	U68	24	3.071 (78.0)	1.072 (27.2)	1.105 (28.1)	55°
40TW9655-1	5	3, 4	X	W96	36	3.071 (78.0)	1.056 (26.8)	1.121 (28.5)	55°
40TU6845-1	5	3, 4	X	U68	24	3.081 (78.3)	1.504 (38.2)	1.135 (28.8)	55°
40TA6855-1&2	5	3, 4	X or Y	A68	28	3.034 (77.1)	.966 (25.3)	1.143 (29.0)	55°
40TF1155-1&2	5	3, 4	X or Y	F11	41	3.072 (78.0)	1.042 (26.5)	1.135 (28.8)	55°
40TF6855-1	5	3, 4	X	F68	24	3.142 (79.8)	1.059 (26.9)	1.105 (28.1)	55°
			Y	F68	25				
40TZ9055-1&2	5	3, 4	Y	Z90	28	3.071 (78.0)	1.077 (27.4)	0.979 (24.9)	55°
40TU6886-1	6	3, 4	X	U68	25	3.76 (95.5)	1.027 (26.1)	1.395 (35.4)	.71 (18.0)
			Y	U68	18			.812 (20.6)	
40TU6886-2	6	3, 4	X	U68	18	3.76 (95.5)	1.027 (26.1)	.812 (20.6)	.71 (18.0)
			Y	U68	25			1.395 (35.4)	
40TI7268	7	3, 4	X	I72	25	3.664 (93.1)	.833 (21.2)	1.292 (32.8)	1.425 (36.2)
			Y	U68	26				
40TI7368	7	3, 4	X	I73	21	3.664 (93.1)	.833 (21.2)	1.045 (26.5)	1.425 (36.2)
			Y	U68	26				
40TI7468	7	3, 4	X	I74	26	3.664 (93.1)	.833 (21.2)	1.373 (34.9)	1.425 (36.2)
			Y	U68	26				
40TI7568-1	7	3, 4	X	I75	30	3.01 (76.5)	.97 (24.6)	2.80 (71.1)	1.045 (26.5)
			Y	U68	31				
40TI7668-1	7	3, 4	X	I76	31	3.01 (76.5)	.97 (24.6)	2.88 (73.2)	1.045 (26.5)
			Y	U68	31				
40TN6380	8	3, 5	X	N63	14	4.250 (108.0)	.715 (18.2)	-.933 (-23.7)	—
			Y	U80	24				
40TC9468	9	3	X	C94	29	2.235 (56.8)	1.085 (27.6)	2.551 (64.8)	1.435 (36.4)
			Y	U68	24				
40TF6168	9	3	X	F61	19	2.235 (56.8)	1.085 (27.6)	2.630 (66.8)	1.435 (36.4)
			Y	U68	24				
40TF6368	9	3	X	F63	22	2.235 (56.8)	1.085 (27.6)	2.718 (69.0)	1.435 (36.4)
			Y	U68	24				
40TF7068	9	3	X	F70	24	2.235 (56.8)	1.085 (27.6)	2.757 (70.0)	1.435 (36.4)
			Y	U68	24				
40TF8368	9	3	X	F83	26	2.235 (56.8)	1.085 (27.6)	2.571 (65.3)	1.435 (36.4)
			Y	U68	24				
40TS6368	9	3	X	S63	21	2.235 (56.8)	1.085 (27.6)	2.692 (68.4)	1.435 (36.4)
			Y	U68	24				
40TS6468	9	3	X	S64	21	2.235 (56.8)	1.085 (27.6)	2.692 (68.4)	1.435 (36.4)
			Y	U68	24				
40TS7168	9	3	X	S71	25	2.235 (56.8)	1.085 (27.6)	2.762 (70.2)	1.435 (36.4)
			Y	U68	24				
40TS7368	9	3	X	S73	28	2.235 (56.8)	1.085 (27.6)	2.715 (69.0)	1.435 (36.4)
			Y	U68	28				
40TF6668	9	3	X	F66	23	2.235 (56.8)	1.085 (27.6)	2.709 (68.8)	1.435 (36.4)
			Y	U68	24				
29TK3863	10	3	—	—	—	1.430 (36.3)	1.085 (27.6)	—	1.500 (38.1)
29TK3954	10	3	—	—	—	1.985 (50.4)	1.085 (27.6)	—	.416 (10.6)
40TI8000	11	3	X	I80	29	1.749 (44.4)	.698 (17.7)	2.767 (70.3)	.843 (21.4)
40TN9200	11	3	X	N92	36	1.749 (44.4)	.499 (12.7)	2.982 (75.7)	.843 (21.4)
40TM6616-1	12	3	X	M66	25	3.201 (81.3)	1.285 (32.6)	2.322 (59.0)	10°
			Y	S68	23				
40TM6628-2	13	3	X	M66	33	3.416 (86.8)	0.830 (21.1)	1.933 (49.1)	25°
			Y	U68	31				

ASSEMBLIES CONSIST OF ALL ITEMS LISTED

ADAPTER GEAR ASS'Y	ADAPTER GEAR	ADAPTER BODY	BEARING	BEARING SPACER	IDLER SHAFT	IDLER SHAFT PLUG	THRUST WASHER	PIN OR SCREW	STUD KIT	GASKET PACK	SPACER (a)
40TA0346	05T33588	41T34791	(2)10T29709	—	09T33589	—	(2)21T27221	26T24766	—	52MK1000	
40TA0403	05T33585	41T34625	(2)10T29709	—	09T33589	—	(2)21T27221	26T24766	—	52MK1000	
40TA0435	05T33815	41T28476	(2)10T31207	18T39368	09T36897	(2)12T36899	(2)21T21760	26T24874	20MK0102	52MK1000	
40TA0541	05T32736	41T34627	(2)10T24335	—	09T36897	(2)12T36899	(2)21T21760	26T24874	20MK6600	52MK1000	
40TA0810	05T32736	41T24754	(2)10T24335	—	09T36897	(2)12T36899	(1)21T21760 (1)21T25986	26T24874	20MK0102	52MK1000	
40TA6830-1&2	05T39980	41T39989	(2)10T35426 (2)10T35427	18T39335* Through 18T39351*	09T39326	(2)12T35577	—	19T35609 (2)24T35458	20TK4714	52TK4464	23M60125SX
40TA6855-1	05T39290	41T39293	(2)10T35426 (2)10T35427	18T35428* 18T35429* 18T35430*	09T35576	(2)12T35577	—	19T35609 (2)24T35458	20TK4842	52MK1000	
40TA6855-2	05T39290	41T41082	(2)10T35426 (2)10T35428	18T39335* Through 18T39351*	09T35576	(2)12T35577	—	19T35609 (2)24T35458	20TK4842	52MK1000	23M60165S
40TC9468	05T37121	41T35415	(2)10T35426 (2)10T35427	18T35428* 18T35429* 18T35430*	09T35424	—	—	19T35443 (2)24T35458	20MK6610	52TK4494	
40TF1155-1	05T36108	41T35579	(2)10T35426 (2)10T35427	18T35428* 18T35429* 18T35430*	09T35576	(2)12T35577	—	19T35609 (2)24T35458	20MK0108	52MK1000	
40TF6168	05T37026	41T35415	(2)10T35426 (2)10T35427	18T35428* 18T35429* 18T35430*	09T35424	—	—	19T35443 (2)24T35458	20MK6615	52TK4494	
40TF6368	05T37011	41T35415	(2)10T35426 (2)10T35427	18T35428* 18T35429* 18T35430*	09T35424	—	—	19T35443 (2)24T35458	20MK6617	52TK4494	
40TF6668	05T38704	41T35415	(2)10T35426 (2)10T35427	18T35428* 18T35429* 18T35430*	09T35424	—	—	19T35443 (2)24T35458	20MK6616	52TK4464	23M61500X 23M60140SX
40TF6855-1&2	05T39850	41T39993	(2)10T35426 (2)10T35427	18T39335* Through 18T39531*	09T39326	(2)12T35577	—	19T35609 (2)24T35458	20MK0108	52TK4710	
40TF7068	05T40298	41T35415	(2)10T35426 (2)10T35427	(2)18T35428* 18T35429* 18T35430*	09T35424	—	—	19T35443 (2)24T35458	20TK4866	52TK4464	23M62000X 23M60140SX
40TF8368	05T35425	41T35415	(2)10T35426 (2)10T35427	18T35428* 18T35429* 18T35430*	09T35424	—	—	19T35443 (2)24T35458	20MKM106	52MK1000	
40TF8430-1&2	05T39443	41T39445	(2)10T35426 (2)10T35427	18T39335* Through 18T39531*	09T39326	(2)12T35577	—	19T35609 (2)24T35458 26T37992	20TK4617	See Stud Kit Instructions	
40TF8500	05T35368	41T35367	(2)10T35369 (2)10T35370	18T35373* 18T35374* 18T35375*	—	—	21T35371	19T35372	20MK6605	52MK1000	
40TG7368-1&2	05T35020	41T28476	(2)10T31207	18T39368	09T36897	(2)12T36899	(2)21T21760	26T24874	20MK0102	52MK1000	
40TI7268	05T35010	41T35016	(2)10T29709	18T35013	09T36898	(2)12T36900	(2)21T35014	26T24874	20MKM200	52MK1008	
40TI7368	05T35011	41T35016	(2)10T29709	18T35013	09T36898	(2)12T36900	(2)21T35014	26T24874	20MKM200	52MK1008	
40TI7468	05T35638	41T35016	(2)10T29709	18T35013	09T36898	(2)12T36900	(2)21T35014	26T24874	20MKM200	52MK1008	
40TI7568-1	05T36149	41T36148	(2)10T35776	18T35781* 18T35782* 18T35783*	09T36168	—	—	19T36082	20MKM200	52MK1008	
40TI7668-1	05T36150	41T36148	(2)10T35776	18T35781* 18T35782* 18T35783*	09T36168	—	—	19T36082	20MKM200	52MK1008	
40TI8000	05T35191	41T35188	10T33290**	—	09T35193	15T35192	—	(3)19T37084	20MKM100	52MK1006	
40TI8410-1&2	05T37327	41T37093	(2)10T35776	18T35781* 18T35782* 18T35783*	09T37323	(2)12T36899	—	19T34789	20TK4074	52TK4464	(2) 23M60032SX
40TM6500	05T94231#	41T94228	10T33290**	—	09T94232	15T33271	—	(3)19T33296 (1)28T21513	52TK4464	23M60062SX	
40TM6568-1&2	05T37007	41T28476	(2)10T31207	18T39368	09T36897	(2)12T36899	(2)21T21760	26T24874	20MK0102	52MK1000	
40TM6616-1	05T36809	41T36810	(2)10T35776	18T35781* Through 18T38731*	09T36840	—	—	19T36846	20MK6603	52TK4464	23M60165SX
40TM6628-2	05T36844	41T36841	(2)10T35776	18T35781* Through 18T38731*	09T36845	(2)12T35774	—	19T34789	20MK8801	52MK1004	
40TN6380	05T35171	41T35106	(2)10T29709	—	09T37001	(2)12T36900	(2)21T27221	26T24874	20TK4468	52MK1007	

ASSEMBLIES CONSIST OF ALL ITEMS LISTED

ADAPTER GEAR ASS'Y	ADAPTER GEAR	ADAPTER BODY	BEARING	BEARING SPACER	IDLER SHAFT	IDLER SHAFT PLUG	THRUST WASHER	PIN OR SCREW	STUD KIT	GASKET PACK	SPACER (a)
40TN7910-1&2	05T37023	41T37093	(2)10T35776	18T35781* Through 18T38731*	09T37323	(2)12T36899	—	19T34789	20MK0102	52MK1000	
40TN9200	05T36589	41T35188	10T33290**	—	09T35193	15T35192	—	(3)19T37084	20MKM100	52MK1006	
40TS6368	05T38185	41T35415	(2)10T35426 (2)10T35427	18T35428* 18T35429* 18T35430*	09T35424	—	—	19T35443 (2)24T35458	20MK6616	52TK4464	23M61500X 23M60140SX
40TS6468	05T38237	41T35415	(2)10T35426 (2)10T35427	18T35428* 18T35429* 18T35430*	09T35424	—	—	19T35443 (2)24T35458	20MK6617	52TK4464	23M61500X 23M60200SX
40TS7168	05T37745	41T35415	(2)10T35426 (2)10T35427	18T35428* 18T35429* 18T35430*	09T35424	—	—	19T35443 (2)24T35458	20MK6613	52TK4464	23M61000X 23M60350X
40TS7368	05T37917	41T35415	(2)10T35426 (2)10T35427	18T35428* 18T35429* 18T35430*	09T35424	—	—	19T35443 (2)24T35458	20MK6613	52TK4464	23M61000X 23M60350X
40TU5700	05T94230#	41T94228	10T33290**	—	09T94232	15T33271	—	(3)19T33296 (1)28T21513		52TK4464	23M60062SX
40TU6800	05T94229#	41T94228	10T33290**	—	09T94232	15T33271	—	(3)19T33296 (1)28T21513		52TK4464	
40TU6810-1&2	05T35100	41T28476	(2)10T31207	18T39368	09T36897	(2)12T36899	(2)21T21760	26T24874	20MK0102	52MK1000	
40TU6845-1	05T36109	41T40288	(2)10T35426 (2)10T35428	18T39335* Through 18T39351*	09T35576	(2)12T35577	—	19T35609 (2)24T35458	20MK0109	52MK1001	—
40TU6855-1	05T35575	41T35579	(2)10T35426 (2)10T35427	18T35428* 18T35429* 18T35430*	09T35576	(2)12T35577	—	19T35609 (2)24T35458	20MK0108	52MK1000	
40TU6855-2	05T35575	41T35960	(2)10T35426 (2)10T35427	18T35428* 18T35429* 18T35430*	09T35576	(2)12T35577	—	19T35609 (2)24T35458	20MK0108	52MK1000	
40TU6886-1&2	05T36070	41T36069	(2)10T35776	18T35781* Through 18T38731*	09T36071	(2)12T35774	—	19T36082	20MK8808	52MK1004	
40TW9655-1	05T36821	41T35579	(2)10T35426 (2)10T35427	18T35428* 18T35429* 18T35430* 18T36822*	09T35576	(2)12T35577	—	19T35609 (2)24T35458	20MK0108	52MK1000	
40TZ1068-1&2	05T36422	41T28476	(2)10T31207	18T39368	09T36897	(2)12T36899	(2)21T21760	26T24874	20MK0102	52MK1000	
40TZ9055-1	05T39489	41T35579	(2)10T35426 (2)10T35427	18T35428* 18T35429* 18T35430*	09T35576	(2)12T35577	—	19T35609 (2)24T35458	20MK0108	52MK1000	
40TZ9055-2	05T39489	41T35960	(2)10T35426 (2)10T35427	18T35428* 18T35429* 18T35430*	09T35576	(2)12T35577	—	19T35609 (2)24T35458	20MK0108	52MK1000	
40TZ9210-1&2	05T37762	41T37093	(2)10T35776	18T35781* 18T35782* 18T35783*	09T37323	(2)12T36899	—	19T34789	20MK0102	52MK1000	
40TZ9968-1&2	05T35714	41T28476	(2)10T31207	18T39368	09T36897	(2)12T36899	(2)21T21760	26T24874	—	—	
29TK3863	—	29T35732	—	—	—	—	—	—	20MKM111	(2)13T35745	
29TK3954	—	41T37217	—	—	—	—	—	—	(6)19T37727	(2)13T37218	

* Shim - Usage as required. ** Includes: (2) bearings, (1) inner spacer, (2) races, (1) outer spacer. # Requires purchase of bearing when serviced. (a) Spacer is included with adapter.



Adapter Plate

ADAPTER PLATES AND ASSEMBLIES

ADAPTER PLATES are used to convert an S.A.E. 8-Bolt aperture to an S.A.E. 6-Bolt aperture.

STUD KIT AND GASKET PACK LIST

KIT	PLATE	GASKET PACK			STUD KIT		
		Qty.	Item	Description	Qty.	Item	Description
29MK8248	29M80248	52MK1004					
		2	13M35151	.010 Gasket	8	19M44112	Capscrew
		2	13M35152	.020 Gasket	8	21ML4375	Lock Washer
29MK8375	29M80375	52MK1004					
		2	13M35151	.010 Gasket	8	19M44138	Capscrew
		2	13M35152	.020 Gasket	8	21ML4375	Lock Washer
29MK8460	29M80460	52MK1004					
		2	13M35151	.010 Gasket	8	19M44138	Capscrew
		2	13M35152	.020 Gasket	8	21ML4375	Lock Washer

TAPERED BEARING ASSEMBLY INSTRUCTIONS

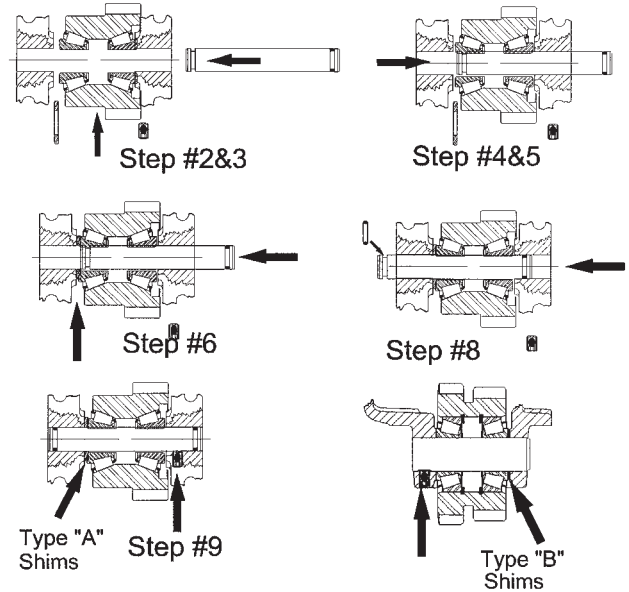
1. Lubricate bearings and races with lithium based bearing grease.
2. Place the input bearing into the input gear and slide this group into the housing to line up the idler shaft.
3. Install the shaft from the setscrew side of housing. Align the set-screw hole in shaft with the hole in the housing. If shaft has o-ring grooves then install (1) o-ring on the setscrew end of the shaft.
4. Press or Tap idler shaft into housing and through both bearing races.
5. Press or Tap the idler shaft in the reverse direction so that it is flush with the bearing in this assembly.
6. The proper shim is selected by hand installation of shims of increasing Thickness until a shim can not be installed easily by hand. Use the next thinner shim Do Not Tap shim into place.
7. For Type "A" Adapters the proper pre-load of the tapered bearing is to be .002" loose to .006" loose. Type "A" adapters use only (1) shim.
For Type "B" Adapters the proper pre-load of the tapered bearing is to be .000" to .005" loose. Type "B" adapters use multiple shims.
8. If shaft is o-ring type, then press the shaft through the housing so that the o-ring groove is exposed and install second o-ring.
9. Press or Tap the idler shaft into position and install the set screw.

ADAPTERS:

40TC9468, 40TF6168, 40TF8368, 40TI7568, 40TI7668, 40TI8410-2, 40TN7910-1, 40TS6368, 40TS6468, 40TS7168, 40TS7368, 40TU6855-*, 40TW9655-*, 40TA6855-1, 40TF1155-1, 40TF8430-* (Note that on these adapters the shims are located on the same side of the gear as the set screw.)

ADAPTERS:

40TF6368, 40TM6616-*, 40TM6628-*, 40TN7910-2, 40TU6886-*, 40TZ9210, 40TF6668, 40TF6855-1 (Note the Location of the Shim in Step # 4 is on the opposite side of the gear than the set screw)



Note: Shim Locations As Listed Above.

Shim	Nom.	Tol.	ColorCode	Adapter Type A
18T35783	.114	.112/.115	WHITE	40TI7568-1, 40TI7668-1, 40TI8410-2, 40TM6616-1,
18T35782	.119	.117/.120	YELLOW	40TM6628-2, 40TN7910-*, 40TU6886-*,
18T35781	.124	.122/.125	ALUM.	40TZ9210-*, 40TF6855-1 ¹ , 40TF8430-* ¹

¹ Requires special shims. See parts list page 6.

Shim	Tol.	ColorCode	Adapter Type B
18T35428	.0045/.0055	BLUE	40TC9468, 40TF6168, 40TF6368, 40TF8368, 40TS6368,
18T35429	.0140/.0160	WHITE	40TS6468, 40TS7168, 40TS7368, 40TU6855-*,
18T35430	.0280/.0320	CLEAR	40TW9655-1, 40TA6855-1, 40TF1155-1, 40TF6668

POWER TAKE-OFF WARRANTY

The Muncie Power Take-Off is warranted to be free of defects in material or workmanship and to meet Muncie's standard written specifications at the time of sale. Muncie's obligation and liability under this warranty is expressly limited to repairing or replacing, at Muncie's option, within one year after date of original installation any defective part or parts or any product not meeting the specifications.

THIS WARRANTY IS IN LIEU OF ALL OTHER WARRANTIES, EXPRESS OR IMPLIED. MUNCIE MAKES NO WARRANTY OF MERCHANTABILITY OR OF FITNESS FOR ANY PARTICULAR PURPOSE. MUNCIE'S OBLIGATION UNDER THIS WARRANTY SHALL NOT INCLUDE ANY TRANSPORTATION CHARGES OR COSTS OF INSTALLATION OR ANY LIABILITY FOR DIRECT, INDIRECT, SPECIAL, INCIDENTAL, OR CONSEQUENTIAL DAMAGES OR DELAY. THE REMEDIES SET FORTH HEREIN ARE EXCLUSIVE, AND MUNCIE'S LIABILITY WITH RESPECT TO ANY CONTRACT OR SALE OR ANYTHING DONE IN CONNECTION THEREWITH, WHETHER IN CONTRACT, IN TORT, UNDER ANY WARRANTY, OR OTHERWISE, SHALL NOT, EXCEPT AS EXPRESSLY PROVIDED HEREIN, EXCEED THE PRICE OF THE PRODUCT OR PART ON WHICH SUCH LIABILITY IS BASED.

If requested by Muncie, products or parts for which a warranty claim is made are to be returned transportation prepaid to a Muncie Service Center. Any installation or use not in accordance with catalog or package instructions, other improper use, operation beyond capacity, substitution of parts not approved by Muncie, use with equipment other than the equipment on which the Power Take-Off is first installed, or alteration or repair made to the Power Take-Off other than at a Muncie Service Center, shall void this warranty. No employee or representative of Muncie is authorized to change this warranty in any way or to grant any other warranty.



SP93-03 (Rev. 8-09) Printed in the U.S.A.
© Muncie Power Products, Inc. 2009

Muncie Power Products, Inc. Member of the Interpump Hydraulics Group
General Offices and Distribution Center • P.O. Box 548 • Muncie, IN 47308-0548
(765) 284-7721 • FAX (765) 284-6991 • E-mail info@munciepower.com
Web site http://www.munciepower.com

Drive Products, Exclusive Agents for Canada, ISO Certified by an Accredited Registrar

