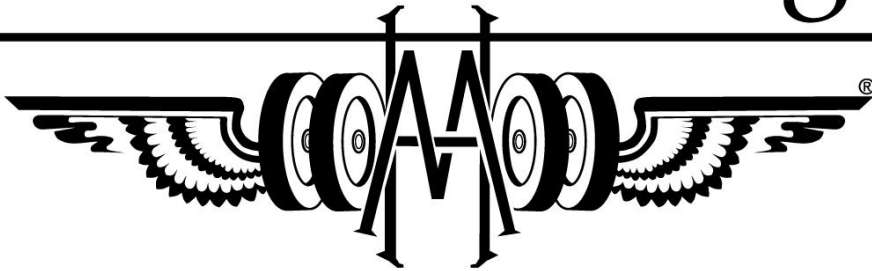


# Marmon-Herrington

---



## **SERVICE PARTS MANUAL FOR T60 SERIES**

Rev: 1

Date: 10/08/12

**MARMON-HERRINGTON ALL-WHEEL DRIVE**

[WWW.MARMON-HERRINGTON.COM](http://WWW.MARMON-HERRINGTON.COM)

13001 Magisterial Drive Louisville, KY 40223

(502) 253-0277 \* (800) 227-0727 \* Fax (502) 253-0317

E-mail: [info@marmon-herrington.com](mailto:info@marmon-herrington.com)

# TABLE OF CONTENTS

REPLACEMENT PARTS & WARRANTY CLAIM PROCEDURE .....	3
COMPLETE TRANSFER CASE.....	4
REAR HOUSING.....	6-7
FRONT HOUSING.....	8-9
INPUT SHAFT COVER.....	10-11
INPUT SHAFT.....	12-13
OUTPUT SHAFT.....	14-15
HI-LO SHIFTING.....	16-17
FRONT DECLUTCH ASSEMBLY.....	18-19

Marmon-Herrington



## REPLACEMENT PARTS

When ordering replacement parts for **MARMON-HERRINGTON TRANSFER CASES**, the following information should be given:

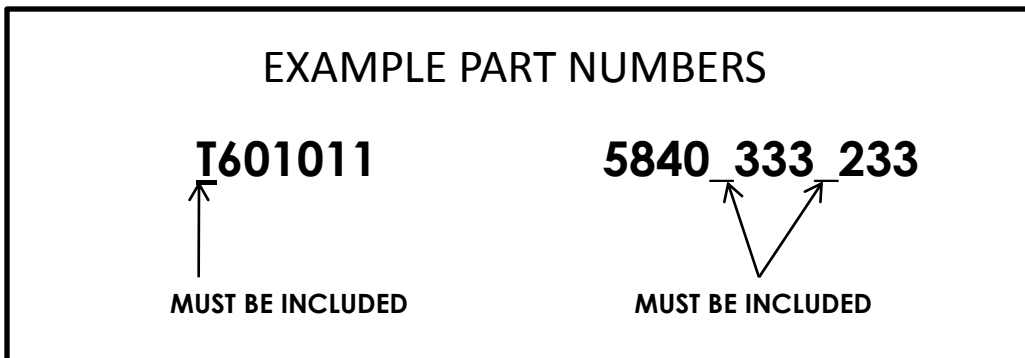
1. **FACTORY ORDER NUMBER.** Found on ID Plate affixed to Transfer Case Housing. This will be a six (6) digit number. (See illustration below)
2. Model of transfer case, i.e T-60.
3. Give quantity and complete part number including **ALL CHARACTERS** (including zeros (0), dashes (-), underscores (\_), and spaces). **Note:** Drivelines, shift linkages, etc., can be found on the computer printout of Bill of Material, which is included in the Service Manual.
4. Give complete billing and shipping address.

## WARRANTY CLAIM PROCEDURE

Before proceeding with repairs or ordering parts that you feel may be covered under warranty, you must first contact Marmon-Herrington Customer Service Department and obtain a Repair Authorization number.

Please be prepared to supply all of the following information:

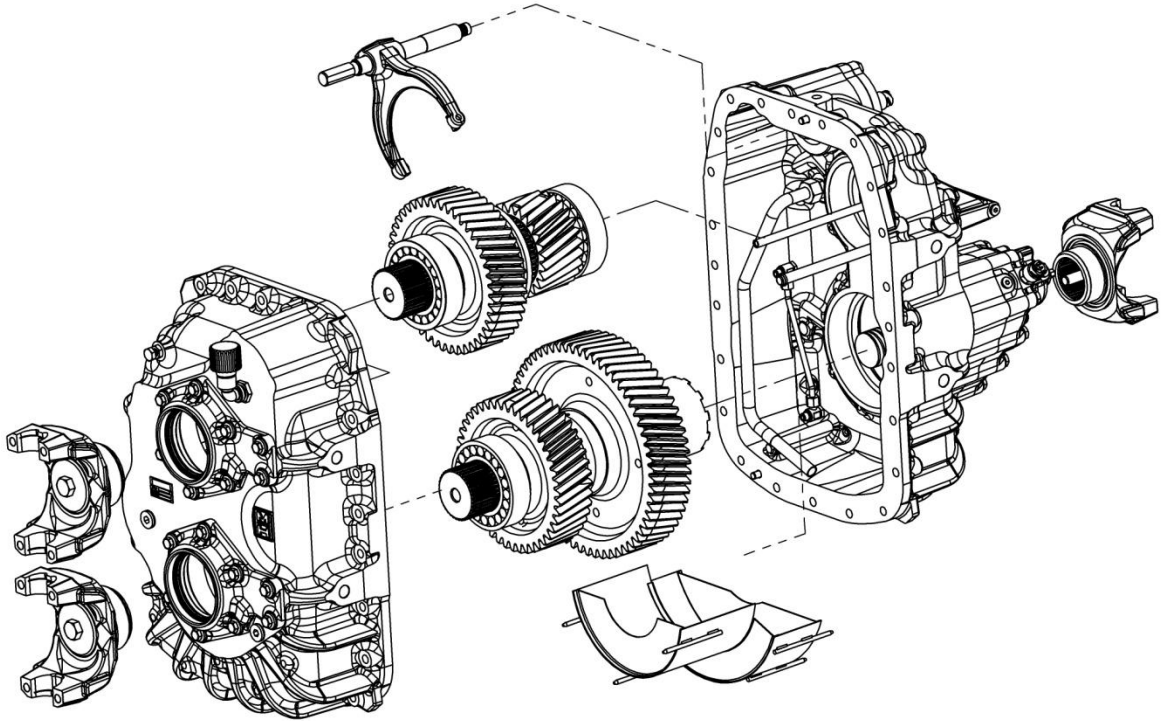
- Factory Order Number**- This is located on an ID plate fixed to either the driver's door panel or the component (axle or transfer case) itself.
- Model and Serial Number** (Required)- Again located on the ID plate fixed to either the driver's door panel or the component itself.
- Vehicle year, Make and Model**
- Vehicle Identification Number**
- Mileage**
- In Service Date**



The information necessary for replacement parts and/or warranty claim procedures will be found on the ID Plate

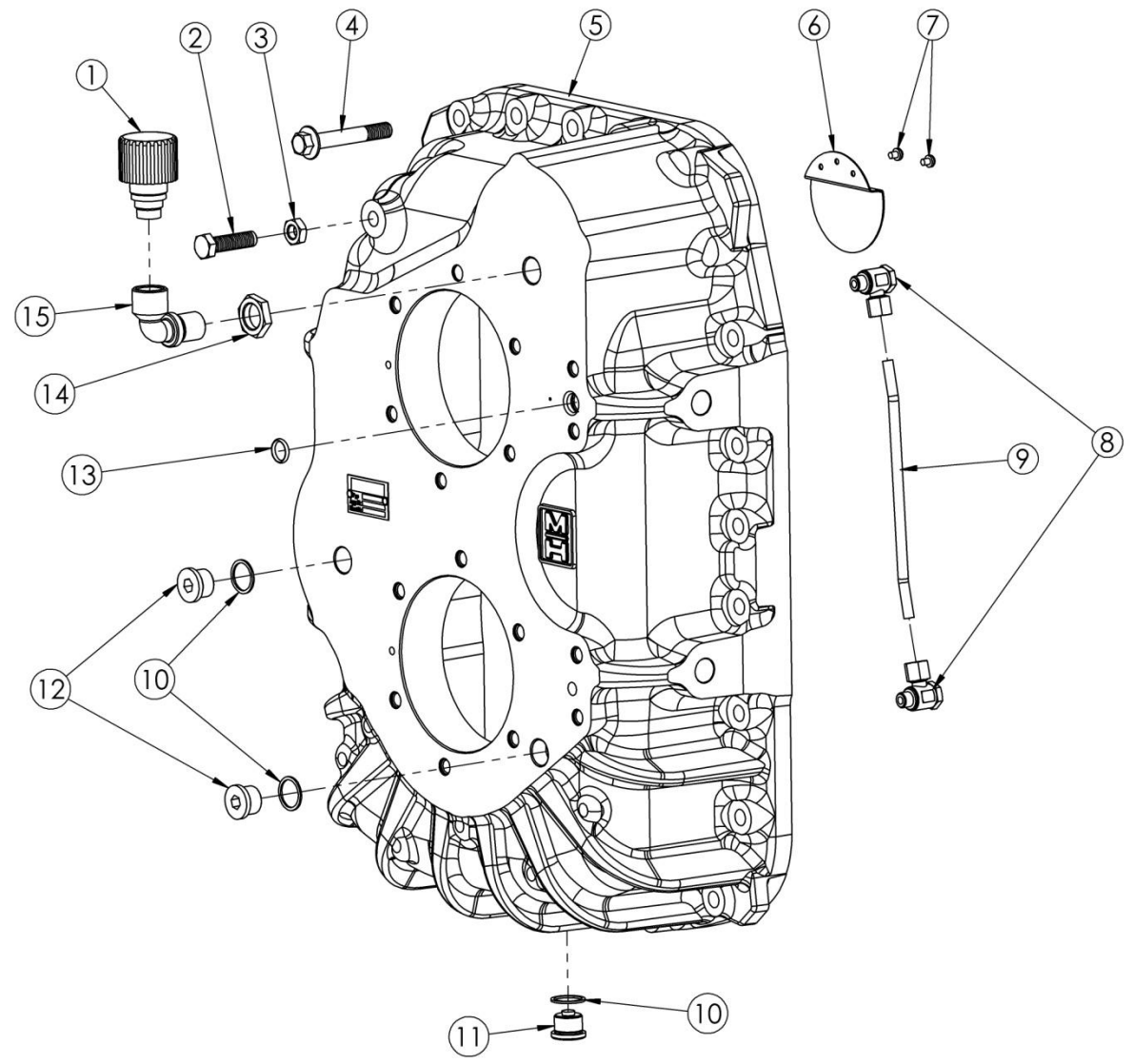


# T60



Blank

# REAR HOUSING T60



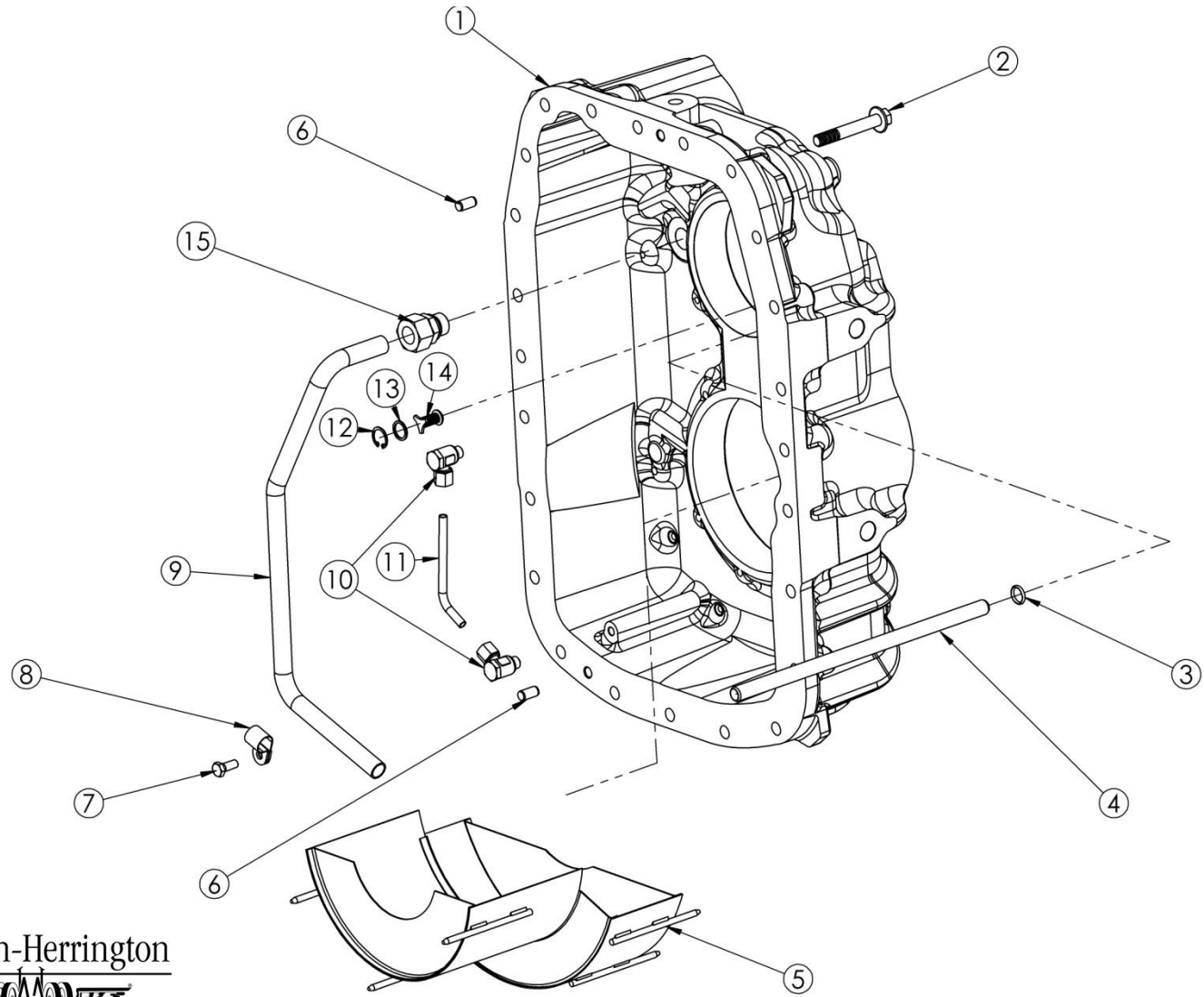
ITEM NO.	PART NUMBER	DESCRIPTION	QTY.	ITEM NO.	PART NUMBER	DESCRIPTION	QTY.
1	T301008	Breather Filter	1				
2	T601002	Bolt M12x45	1				
3	T601003	Nut M12x1.5	1				
4	T301220	Bolt M12x80	19				
5	T601005	Rear Housing	1				
6	T601006	Oil Baffle	1				
7	T601007	Screw M5x0.8	2				
8	T301039	Swivel Fitting, 90 degree	2				
9	T601009	Oil Tube	1				
10	T301014	Sealing Ring A22x27	2				
11	T301023	Drain Plug Magnetic M22x1.5	2				
12	T301015	Plug Screw M22x1.5	2				
13	T601013	O-Ring 15x2.5	1				
14	T601014	Nut M22x1.5	1				
15	T601015	Elbow	1				

**MARMON-HERRINGTON ALL-WHEEL DRIVE**  
 13001 Magisterial Drive Louisville, KY 40223  
 (502) 253-0277 \* (800) 227-0727 \* Fax (502) 253-0317  
 E-mail: info@marmon-herrington.com

**REAR HOUSING  
T60**



# FRONT HOUSING T60



Marmon-Herrington





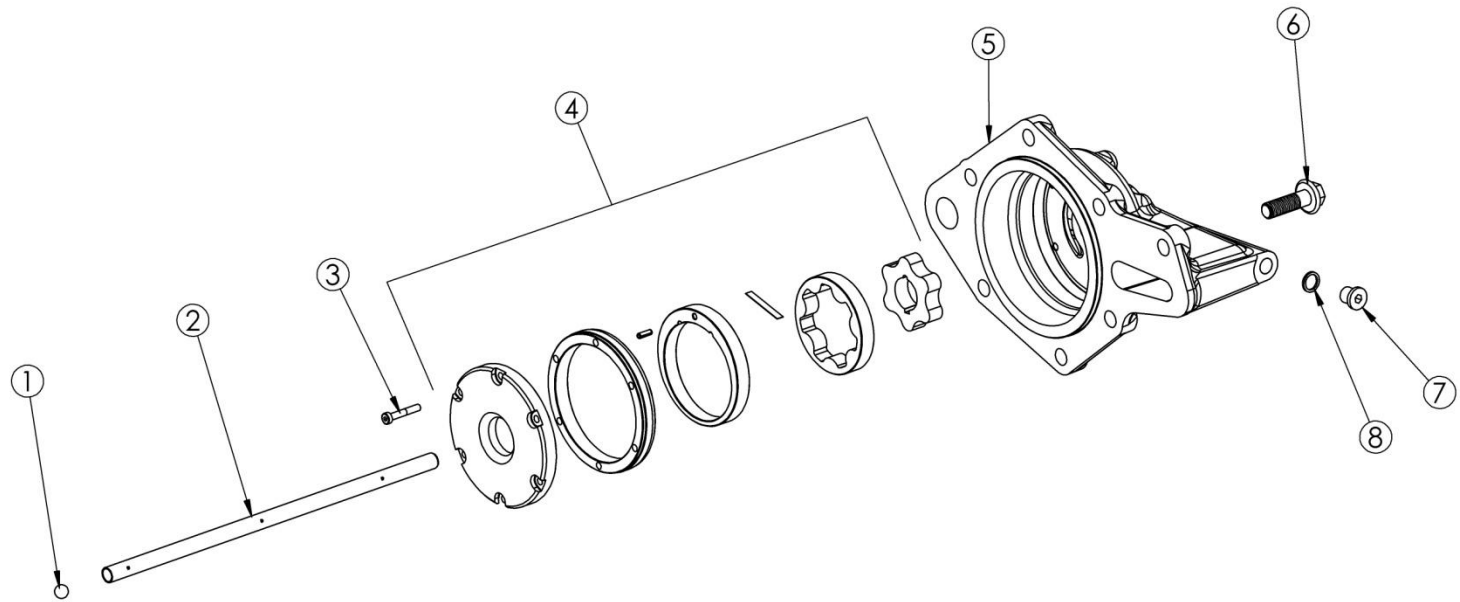
ITEM NO.	PART NUMBER	DESCRIPTION	QTY.	ITEM NO.	PART NUMBER	DESCRIPTION	QTY.
1	T601016	Front Housing	1				
2	T301220	Bolt M12x80	5				
3	T601013	O-Ring 15x2.5	1				
4	T601019	Tube	1				
5	T601020	Oil Deflector	1				
6	T301050	Dowel Pin M6x20	2				
7	T301036	Bolt M8x20	1				
8	T301035	Tube Clamp	1				
9	T601024	Oil Pickup Tube	1				
10	T301039	Swivel Fitting, 90 degree	2				
11	T601026	Tube Short	1				
12	T301057	Retaining Ring 21x1	1				
13	T301058	Sealing Ring A16x20	1				
14	T301059	Pressure Relief Valve	1				
15	T301033	Fitting, 18mm	1				

**MARMON-HERRINGTON ALL-WHEEL DRIVE**  
 13001 Magisterial Drive Louisville, KY 40223  
 (502) 253-0277 \* (800) 227-0727 \* Fax (502) 253-0317  
 E-mail: info@marmon-herrington.com

**FRONT HOUSING**  
**T60**



# INPUT SHAFT COVER T60



Marmon-Herrington



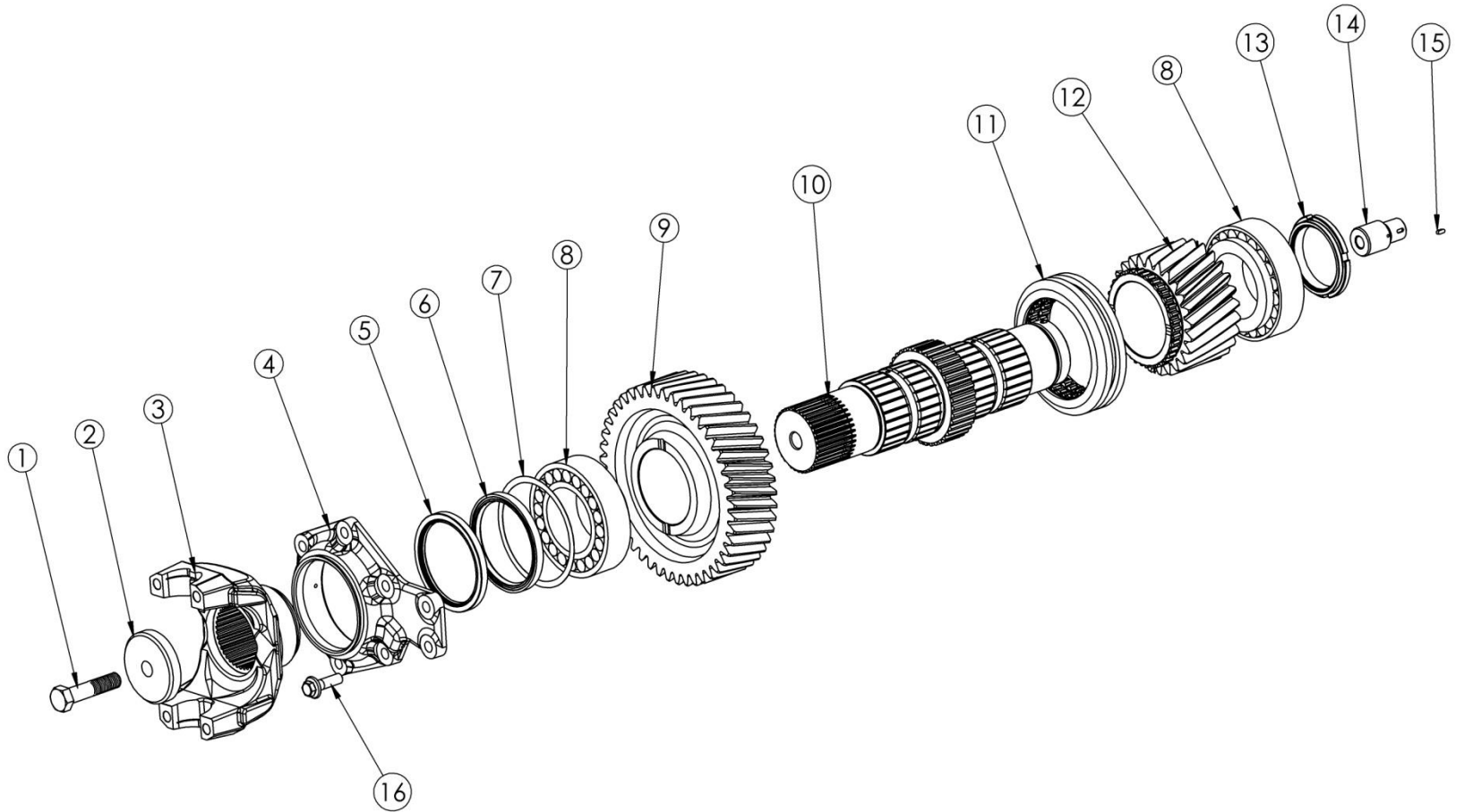
ITEM NO.	PART NUMBER	DESCRIPTION	QTY.	ITEM NO.	PART NUMBER	DESCRIPTION	QTY.
1	T301065	Detent Ball 10.319mm	NSS				
2	T601032	Oil Tube Input Shaft	1				
3	T301110	Bolt M5x30	6				
4	T301109	Oil Pump	1				
5	T601035	Oil Pump Cover	1				
6	T301061	Bolt M12x40	7				
7	T301037	Plug Screw M12x1.5	1			NSS= Not Sold Seperately	
8	T301038	Sealing Ring A12x15.5	1				

**MARMON-HERRINGTON ALL-WHEEL DRIVE**  
 13001 Magisterial Drive Louisville, KY 40223  
 (502) 253-0277 \* (800) 227-0727 \* Fax (502) 253-0317  
 E-mail: info@marmon-herrington.com

**INPUT SHAFT COVER**  
**T60**



# INPUT SHAFT T60



Marmon-Herrington



ITEM NO.	PART NUMBER	DESCRIPTION	QTY.	ITEM NO.	PART NUMBER	DESCRIPTION	QTY.
1	T601039	Bolt M18x80	1				
2	T601040	Washer, 1760 Flange	1				
3	T601041	1760 Flange 38 Spline	1				
4	T601042	Shaft Cover	1				
5	T601043	Seal, Outer 120x100x10	1				
6	T601044	Seal, Inner 120x100x10	1				
7	T601045A	Shim 139.7x120.5x0.7mm	AR				
	T601045B	Shim 139.7x120.5x0.3mm	AR			<b>AR=As Required</b>	
	T601045C	Shim 139.7x120.5x0.2mm	AR				
	T601045D	Shim 139.7x120.5x0.15mm	AR				
8	T601049	Bearing 140x80x46	2				
9	T601050	Drive Gear 45T	1				
10	T601051	Input Shaft	1				
11	T301076	Coupler	1				
12	T601053	Drive Gear 25T	1				
13	T301071	Groove Nut M78	1				
14	T601055	Oil Pump Entrainment	1				
15	T301120	Key A4x4x10	1				
16	T301061	Bolt M12x40	8				

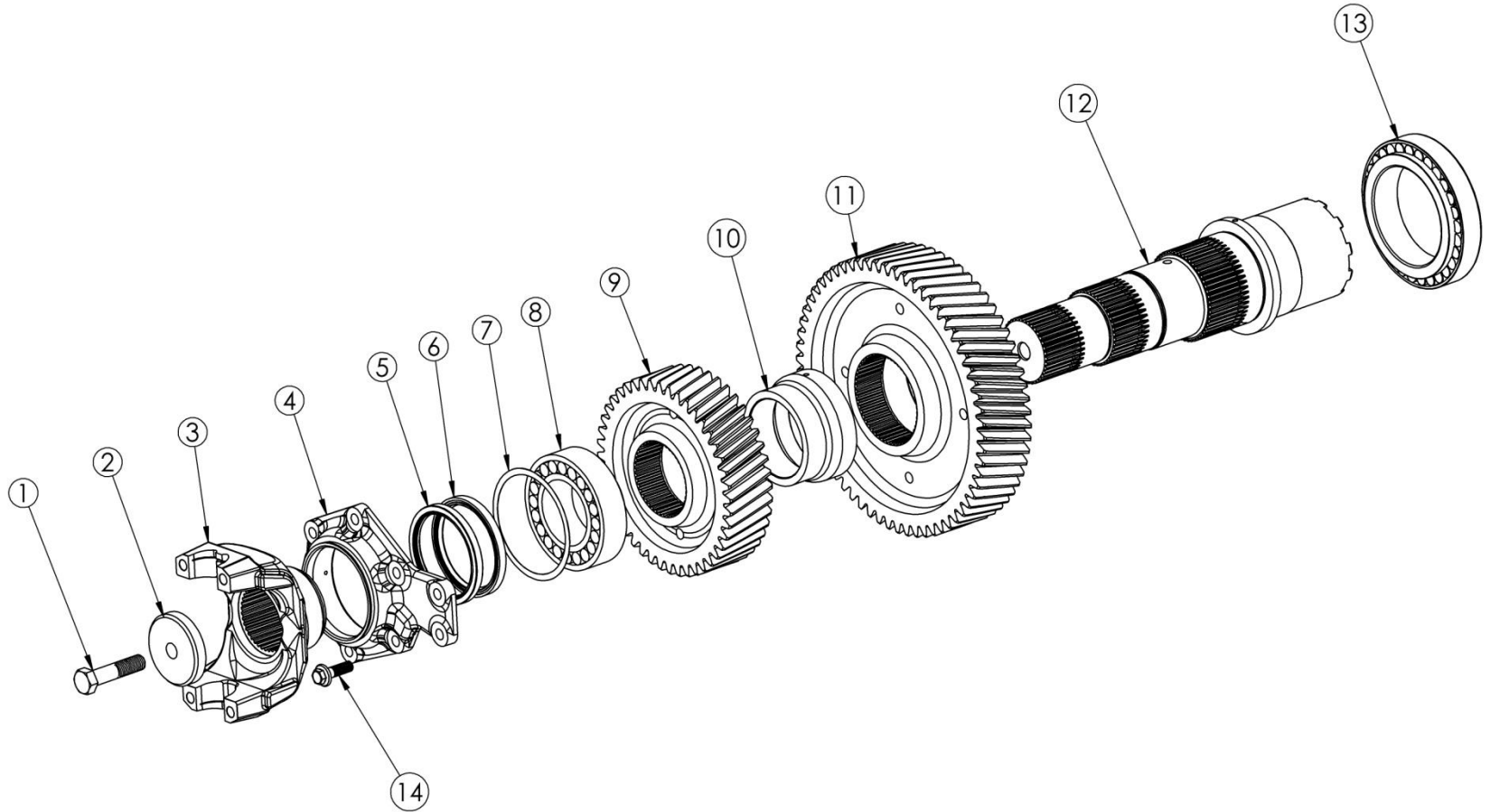
**MARMON-HERRINGTON ALL-WHEEL DRIVE**

13001 Magisterial Drive Louisville, KY 40223  
 (502) 253-0277 \* (800) 227-0727 \* Fax (502) 253-0317  
 E-mail: info@marmon-herrington.com

**INPUT SHAFT  
T60**



# OUTPUT SHAFT T60



Marmon-Herrington



ITEM NO.	PART NUMBER	DESCRIPTION	QTY.	ITEM NO.	PART NUMBER	DESCRIPTION	QTY.
1	T601039	Bolt M18x80	1				
2	T601040	Washer, 1760 Flange	1				
3	T601041	1760 Flange 38 Spline	1				
4	T601042	Shaft Cover	1				
5	T601043	Seal, Outer 120x100x10	1				
6	T601044	Seal, Inner 120x100x10	1				
7	T601045A	Shim 139.7x120.5x0.7mm	AR				
	T601045B	Shim 139.7x120.5x0.3mm	AR			<b>AR=As Required</b>	
	T601045C	Shim 139.7x120.5x0.2mm	AR				
	T601045D	Shim 139.7x120.5x0.15mm	AR				
8	T601049	Bearing 140x80x46	1				
9	T601069	Output Gear 44T	1				
10	T601070	Spacing Collar	1				
11	T601071	Output Gear 62T	1				
12	T601072	Output Shaft, Rear	1				
13	T301121	Bearing 180x120x38	1				
14	T301061	Bolt M12x40	8				

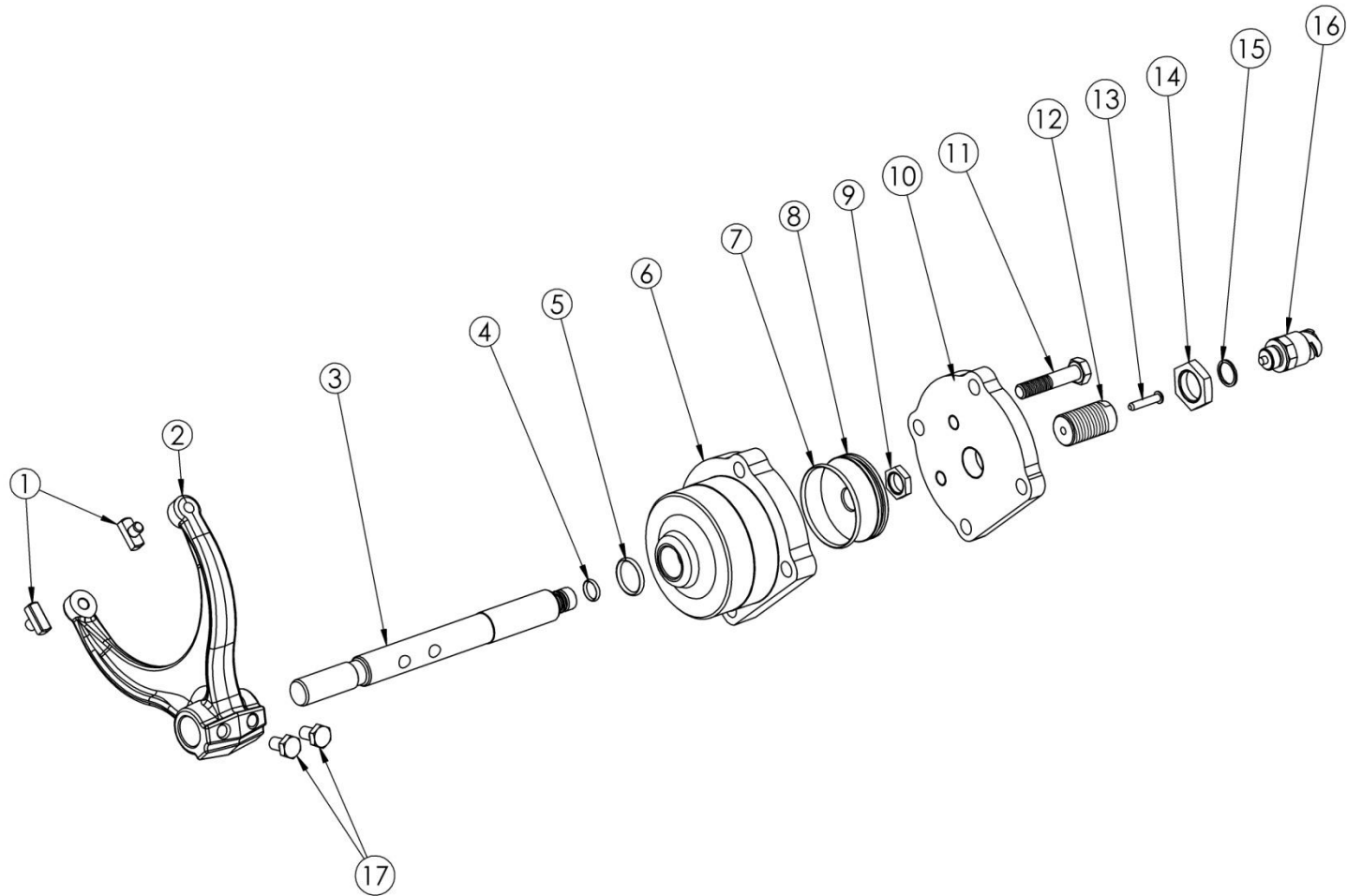
**MARMON-HERRINGTON ALL-WHEEL DRIVE**

13001 Magisterial Drive Louisville, KY 40223  
 (502) 253-0277 \* (800) 227-0727 \* Fax (502) 253-0317  
 E-mail: info@marmon-herrington.com

**OUTPUT SHAFT  
T60**



# HI-LO SHIFTING T60



Marmon-Herrington





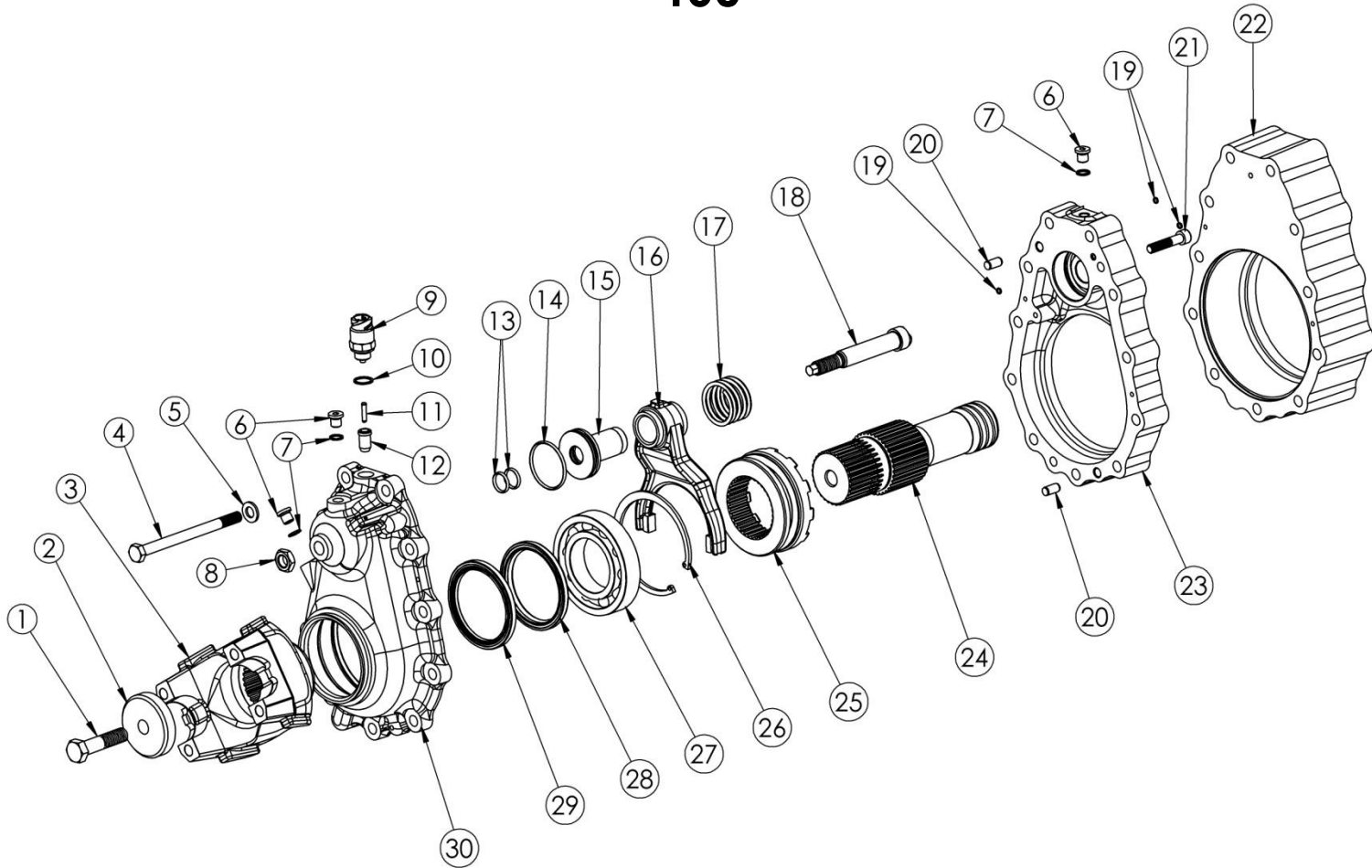
ITEM NO.	PART NUMBER	DESCRIPTION	QTY.	ITEM NO.	PART NUMBER	DESCRIPTION	QTY.
1	T301168	Slide Block	2				
2	T301169	Shift Fork	1				
3	T601077	Shift Rod	1				
4	T301173	O-Ring 13.2x2.4	1				
5	T301194	O-Ring 26x3	1				
6	T601080	Shift Cylinder	1				
7	T301191	O-Ring 65x3	1				
8	T301192	Piston	1				
9	T301178	Nut M18x1.5	1				
10	T601084	Shift Cylinder Cover	1				
11	T601085	Bolt M12x60	4				
12	T301022	Adjusting Screw	1				
13	T301184	Switch Pin	1				
14	T301021	Nut M26x1.5	1				
15	T301020	Sealing Ring A18x22	1				
16	T301182	Pressure Switch	1				
17	T301170	Bolt M10x25	2				

**MARMON-HERRINGTON ALL-WHEEL DRIVE**  
 13001 Magisterial Drive Louisville, KY 40223  
 (502) 253-0277 \* (800) 227-0727 \* Fax (502) 253-0317  
 E-mail: info@marmon-herrington.com

**HI-LO SHIFTING**  
**T60**



# FRONT DECLUTCH ASSEMBLY T60



Marmon-Herrington



ITEM NO.	PART NUMBER	DESCRIPTION	QTY.	ITEM NO.	PART NUMBER	DESCRIPTION	QTY.
1	T301108	Bolt M16x70	1	20	T301050	Dowel Pin M6x20	2
2	T301107	Washer, 1710 Flange	1	21	T301211	Bolt M10x50	2
3	T601094	1710 Flange 31 Spline	1	22	T601113	Intermediate Plate, Long	1
4	T601095	Bolt M12x160	11	23	T301212	Intermediate Plate	1
5	T301044	Washer, Wave M12	11	24	T301213	Front Output Shaft Non-PD	1
6	T301037	Plug Screw M12x1.5	3	25	T301215	Coupler, Output Shaft	1
7	T301038	Sealing Ring A12x15.5	3	26	T301216	Retaining Ring 120x4	1
8	T301196	Jam Nut M16x1.5	1	27	T301217	Bearing 120x65x23	1
9	T301182	Pressure Switch	1	28	T301129	Seal, Inner	1
10	T301020	Sealing Ring A18x22	1	29	T301130	Seal, Outer	1
11	T301200	Switch Pin	1	30	T301195	Front Declutch Housing	1
12	T301081	Guide Sleeve	1				
13	T301204	O-Ring 20x3	2				
14	T301207	O-Ring 52x3	1				
15	T301206	Piston, Front Axle	1				
16	T301205	Shift Fork, Front Axle	1				
17	T301203	Spring, Front Axle	1				
18	T301209	Control Rod, Front Axle	1				
19	T301179	O-Ring 5x1.5	3				

**MARMON-HERRINGTON ALL-WHEEL DRIVE**

13001 Magisterial Drive Louisville, KY 40223  
 (502) 253-0277 \* (800) 227-0727 \* Fax (502) 253-0317  
 E-mail: info@marmon-herrington.com

**FRONT DECLUTCH  
 ASSEMBLY  
 T60**



Marmon-Herrington



WWW.MARMON-HERRINGTON.COM  
13001 Magisterial Drive Louisville, KY 40223  
(502) 253-0277 \* (800) 227-0727 \* Fax (502) 253-0317  
E-mail: [info@marmon-herrington.com](mailto:info@marmon-herrington.com)