



PARTS MANUAL
FOR
CT8 SERIES

MARMON-HERRINGTON ALL-WHEEL DRIVE

13001 Magisterial Drive • Louisville, KY 40223
(502) 253-0277 • (800) 227-0727 • Fax (502) 253-0317
E-mail: info@marmon-herrington.com

TABLE OF CONTENTS

REPLACEMENT PARTS & WARRANTY CLAIM PROCEDURE	3
DIFFERENTIAL CARRIER HOUSING CT8	4-5
DIFFERENTIAL CT8	6-7
AXLE HOUSING CT8	8-9
AXLE SHAFT ASSEMBLY CT8	10-11
WHEEL HUB CT8H	12-13
TIE-ROD CT8	14-15



MARMON-HERRINGTON ALL-WHEEL DRIVE
13001 Magisterial Drive • Louisville, KY 40223
(502) 253-0277 • (800) 227-0727 • Fax (502) 253-0317
E-mail: info@marmon-herrington.com

REPLACEMENT PARTS

When ordering replacement parts for **MARMON-HERRINGTON ALL-WHEEL DRIVE** conversions, the following information should be given:

- 1. FACTORY ORDER NUMBER** (found on I.D. Plate on driver's door panel or small plate affixed to axle housing). This will be a six (6) digit number. (See illustrations this page.)
- Component for which parts are required, i.e. front drive axle or transfer case.
- Model of axle and/or transfer, i.e. MR-90, MR-226.
- Give quantity and part number required.
NOTE: Drive lines, shift linkage, etc., can be found on the computer print out of Bill of Material, which is included in the Service Manual.
- Give complete billing and shipping address.

The information necessary for replacement parts and/or warranty claim procedures will be found on either plate design.


MARMON-HERRINGTON			
SALES ORDER	0000-00	TYPE	
S/N		RATIO	

WARRANTY CLAIM PROCEDURE

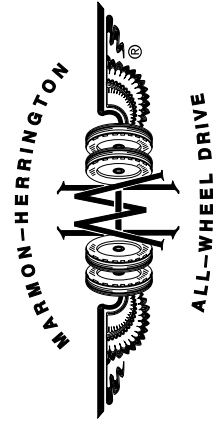
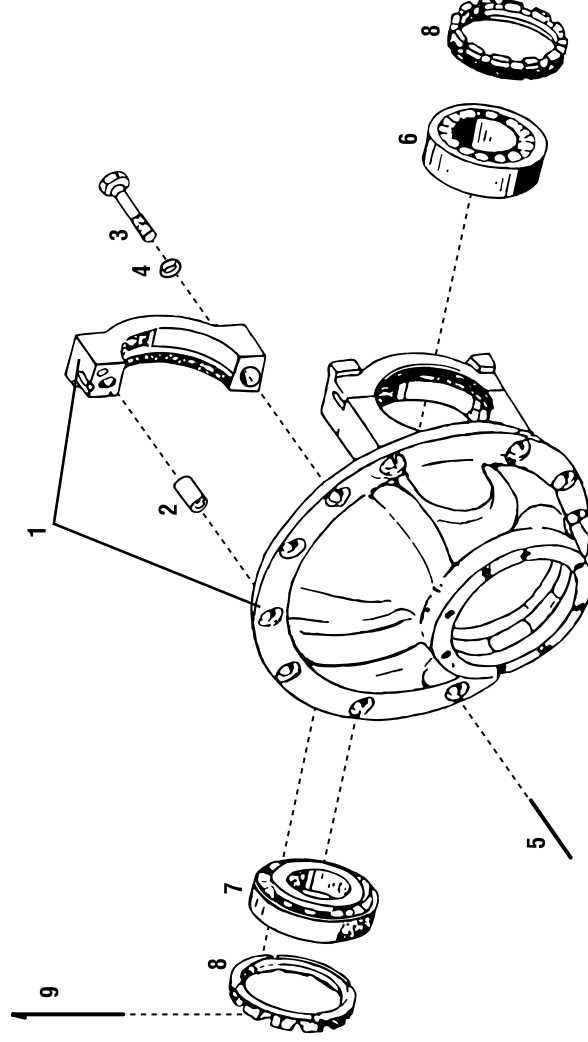
When ordering parts which you feel might be covered under warranty, advise the following information:

- 1. FACTORY ORDER NUMBER** (found on I.D. Plate on driver's door panel or small plate affixed to axle housing). This will be a six (6) digit number. (See illustrations this page.)
- Date unit was put into operation.
- Mileage of unit at time of failure.
- Nature of failure.

Upon receipt of the above, you will be advised as to how to proceed with the claim.

 <p>MARMON-HERRINGTON ALL-WHEEL DRIVE LOUISVILLE, KENTUCKY U.S.A.</p>	
FACTORY ORDER NO.	0000-00
INSTALLED BY	
FRONT DRIVING AXLE	
MODEL	
CAPACITY	
SERIAL NO.	
RATIO	
TRANSFER CASE	
MODEL	
SERIAL NO.	

DIFFERENTIAL CARRIER HOUSING CT8



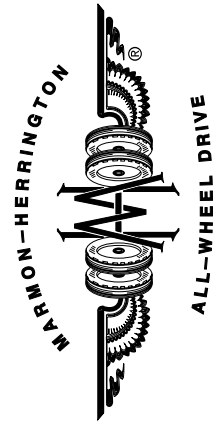
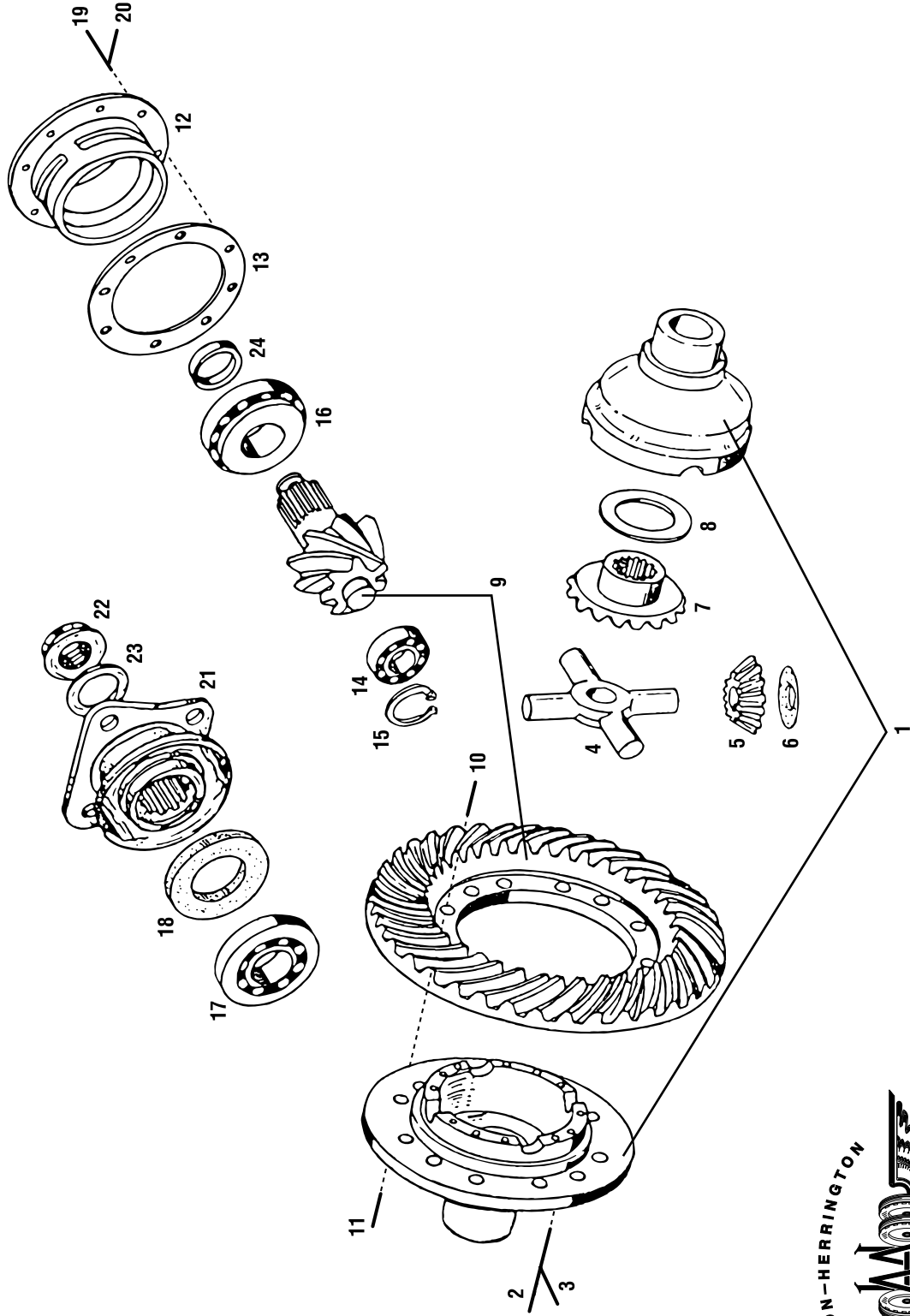
ITEM NO.	MH PART NO.	DESCRIPTION	QTY. REQ.	ITEM NO.	MH PART NO.	DESCRIPTION	QTY. REQ.
1	CT8-1040	Differential Carrier Housing Assembly	1				
2	CT8-1042	Dowel Sleeve	4				
3	CT8-1041	Hex Bolt	4				
4	CT8-1054	Washer	4				
5	MT22-1077	Flanged Bolt with Sealant	8				
6	CT8-1043	Taper Roller Bearing	1				
7	CT8-1045	Taper Roller Bearing	1				
8	CT8-1044	Bearing Adjuster	2				
9	CT8-1046	Cotter Pin	2				

MARMON-HERRINGTON ALL-WHEEL DRIVE
 13001 Magisterial Drive • Louisville, KY 40223
 (502) 253-0277 • (800) 227-0727 • Fax (502) 253-0317
 E-mail: info@marmon-herrington.com

DIFFERENTIAL CARRIER HOUSING CT8



DIFFERENTIAL CT8



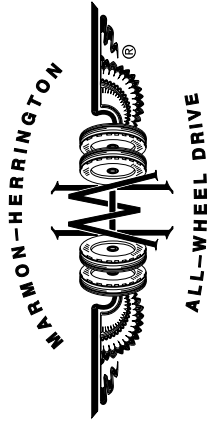
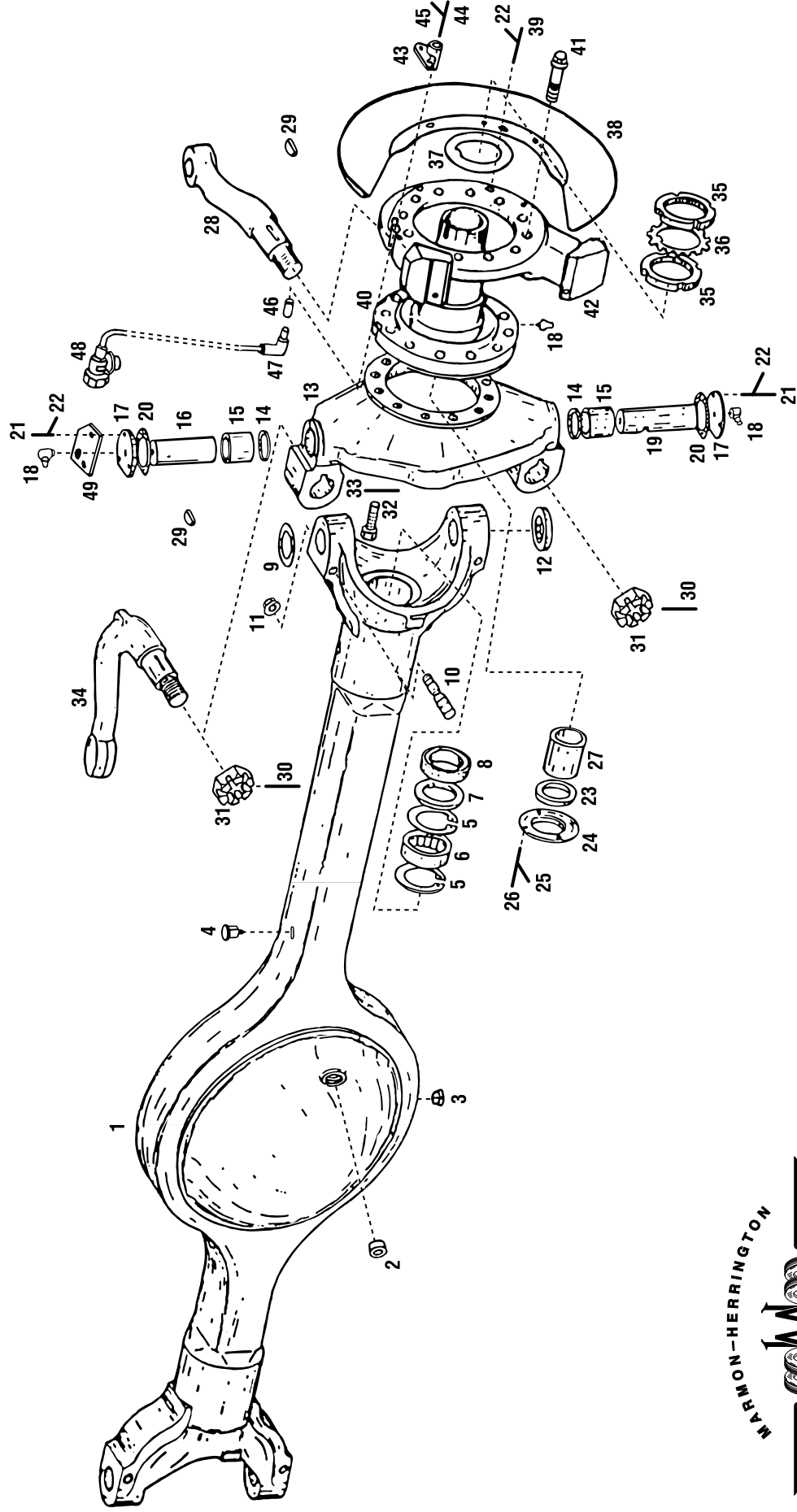
COMPLETE CARRIER ASSEMBLY					ITEM NO.	MH PART NO.	DESCRIPTION	QTY. REQ.
CARRIER P/N	PINION & RING GEAR RATIO	DIFFERENTIAL CASE						
CT8-1001	3.73	CT8-1060			19	CT8-1079	Hex Bolt	8
CT8-1002	4.10	CT8-1060			20	CT8-1080	Washer	8
CT8-1003	4.56	CT8-1060			21	CT8-1081	Companion Flange	1
CT8-1004	5.13	CT8-1060			22	CT8-1082	Flat Lock Washer	1
					23	CT8-1083	Self-Lock Nut	1
					24	CT8-1084	Washer	1
						CT8-1085A	Pinion Bearing Spacer, 8.755 MM	AR
						CT8-1085B	Pinion Bearing Spacer, 8.805 MM	AR
						CT8-1085C	Pinion Bearing Spacer, 8.830 MM	AR
						CT8-1085D	Pinion Bearing Spacer, 8.855 MM	AR
						CT8-1085E	Pinion Bearing Spacer, 8.905 MM	AR
						CT8-1085F	Pinion Bearing Spacer, 8.930 MM	AR
						CT8-1085G	Pinion Bearing Spacer, 8.980 MM	AR
						CT8-1085H	Pinion Bearing Spacer, 9.005 MM	AR
						CT8-1085I	Pinion Bearing Spacer, 9.030 MM	AR
						CT8-1085J	Pinion Bearing Spacer, 9.055 MM	AR
						CT8-1085K	Pinion Bearing Spacer, 9.080 MM	AR
						CT8-1085L	Pinion Bearing Spacer, 9.105 MM	AR
						CT8-1085M	Pinion Bearing Spacer, 9.130 MM	AR
						CT8-1085N	Pinion Bearing Spacer, 9.180 MM	AR
						CT8-1085O	Pinion Bearing Spacer, 9.205 MM	AR
						CT8-1085P	Pinion Bearing Spacer, 9.255 MM	AR
						CT8-1085Q	Pinion Bearing Spacer, 9.280 MM	AR
						CT8-1085R	Pinion Bearing Spacer, 9.305 MM	AR
						CT8-1085S	Pinion Bearing Spacer, 9.330 MM	AR
						CT8-1085T	Pinion Bearing Spacer, 9.355 MM	AR
						CT8-1085U	Pinion Bearing Spacer, 9.380 MM	AR
						CT8-1085V	Pinion Bearing Spacer, 9.405 MM	AR
						CT8-1085W	Pinion Bearing Spacer, 9.455 MM	AR
						CT8-1085X	Pinion Bearing Spacer, 9.480 MM	AR
						CT8-1085Y	Pinion Bearing Spacer, 9.505 MM	AR
						CT8-1085Z	Pinion Bearing Spacer, 9.530 MM	AR
							AR = As Required	

MARMON-HERRINGTON ALL-WHEEL DRIVE
 13001 Magisterial Drive • Louisville, KY 40223
 (502) 253-0277 • (800) 227-0727 • Fax (502) 253-0317
 E-mail: info@marmon-herrington.com

DIFFERENTIAL CT8



AXLE HOUSING CT8

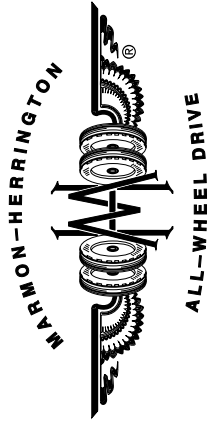
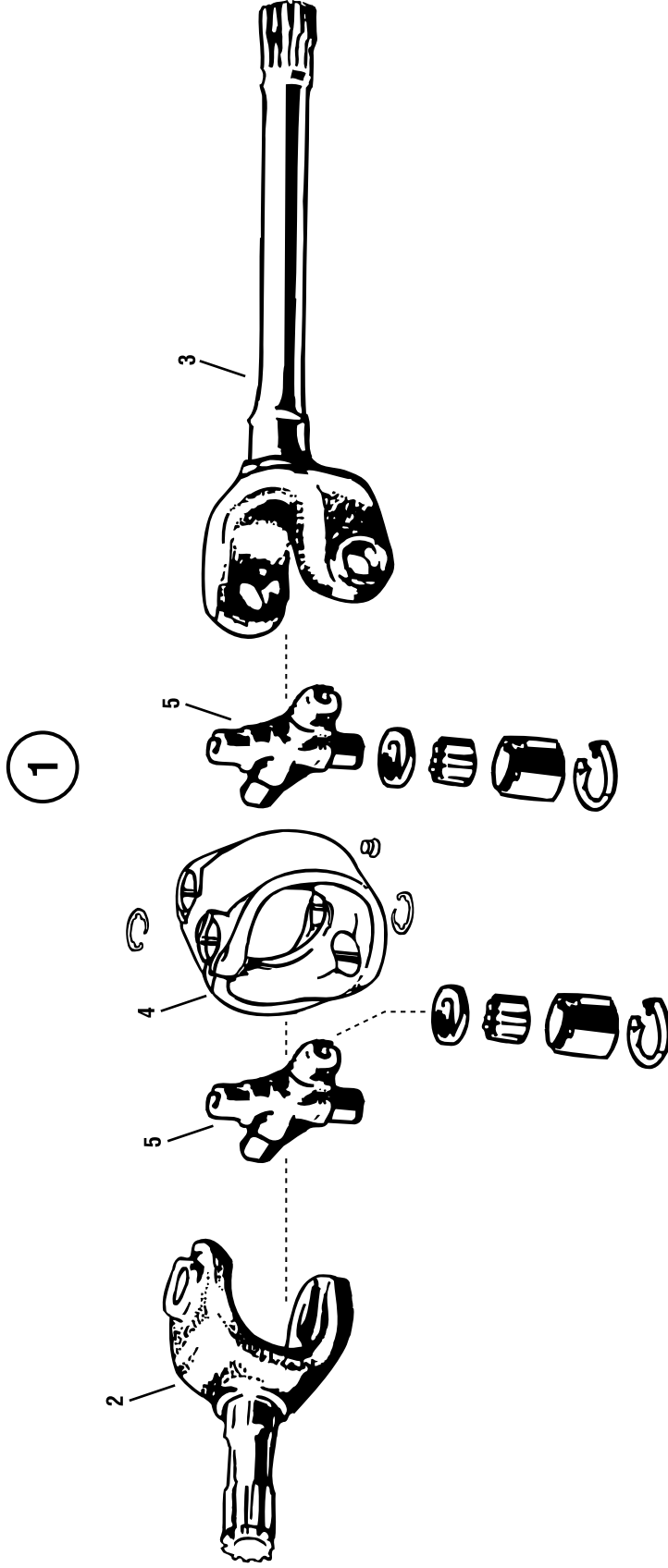


ITEM NO.	MH PART NO.	DESCRIPTION	QTY. REQ.	ITEM NO.	MH PART NO.	DESCRIPTION	QTY. REQ.
1	CT8-1086	Axle Housing	1	28	CT8-1088	Tie-Rod Arm, L.H.	1
2	MT14-1070	Taper Screw Plug	1	29	CT8-1089	Tie-Rod Arm, R.H.	1
3	MT14-1079	Magnetic Taper Screw Plug	1	30	MT93-2308	Spacer Sleeve	3
4	MT14-1068	Vent Valve	1	31	103415	Cotter Pin	3
5	MT22-1115	Lock Ring	4	32	MT10-1099	Castle Nut	3
6	MT22-1114	Cylindric Roller Bearing	2	33	MT10-1100	Screw Stop	2
7	MT22-1116	Oil Seal	2	34	MT10-1101	Low Nut	2
8	MT10-1079	Oil Seal Support Assy.	2	35	CT8-1090	Steering Arm	1
	MT10-1080	Oil Seal	2	36	MT22-1132	Spindle Nut	4
9	MT10-1081A	Shim, 0.40 MM	AR	37	MT22-1133	Lock Plate	2
	MT10-1081B	Shim, 0.60 MM	AR	38	MT10-1103	Lock Disk	2
	MT10-1081C	Shim, 1.00 MM	AR	39	MT10-1104	Dust Shield	2
	MT10-1081D	Shim, 1.20 MM	AR	40	11500680	Hex Bolt	6
	MT10-1081E	Shim, 1.40 MM	AR	41	MT10-1108	Spindle, L.H.	1
10	MT10-1132	Draw Key	4	42	MT10-1109	Spindle, R.H.	1
11	MT10-1133	Self-Lock Nut	4	43	MT10-1105	Hex Flange Bolt	24
12	MT10-1082	Taper Roller Thrust Bearing	3	44	CT8-1106	Brake Support, L.H.	1
13	MT10-1083	Steering Knuckle, L.H. Assy.	1	45	CT8-1107	Brake Support, R.H.	1
	MT10-1084	Steering Knuckle, R.H. Assy.	1	46	MT93-1109	Sensor Holder	2
14	MT10-1087	Oil Seal	4	47	11500713	Hex Bolt	4
15	MT10-1088	Kingpin Bushing	4	48	11500191	Lock Washer	4
16	MT10-1089	Kingpin Upper	2	49	MT93-1283	Clamp Sleeve	2
17	MT10-1090	Cap	4		CT8-1091	Revolution Sensor	2
18	MT14-1119	Grease Fitting 45°	6		CT8-1092	Connecting Holder	1
19	MT10-1091	Kingpin Lower	2		CT8-1093	Holder Plate	2
20	MT10-1092	Gasket	4				
21	11500716	Hex Bolt	12				
22	11500191	Lock Washer	18				
23	MT10-1093	Oil Seal	2				
24	MT10-1094	Dust Plate	2				
25	11500190	Lock Washer	8				
26	11503946	Hex Bolt	8				
27	MT10-1095	Bushing	2				
						AR = As Required	

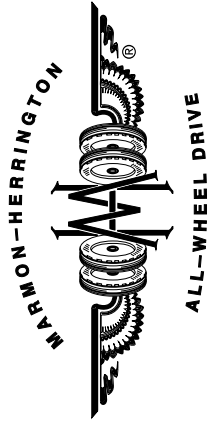
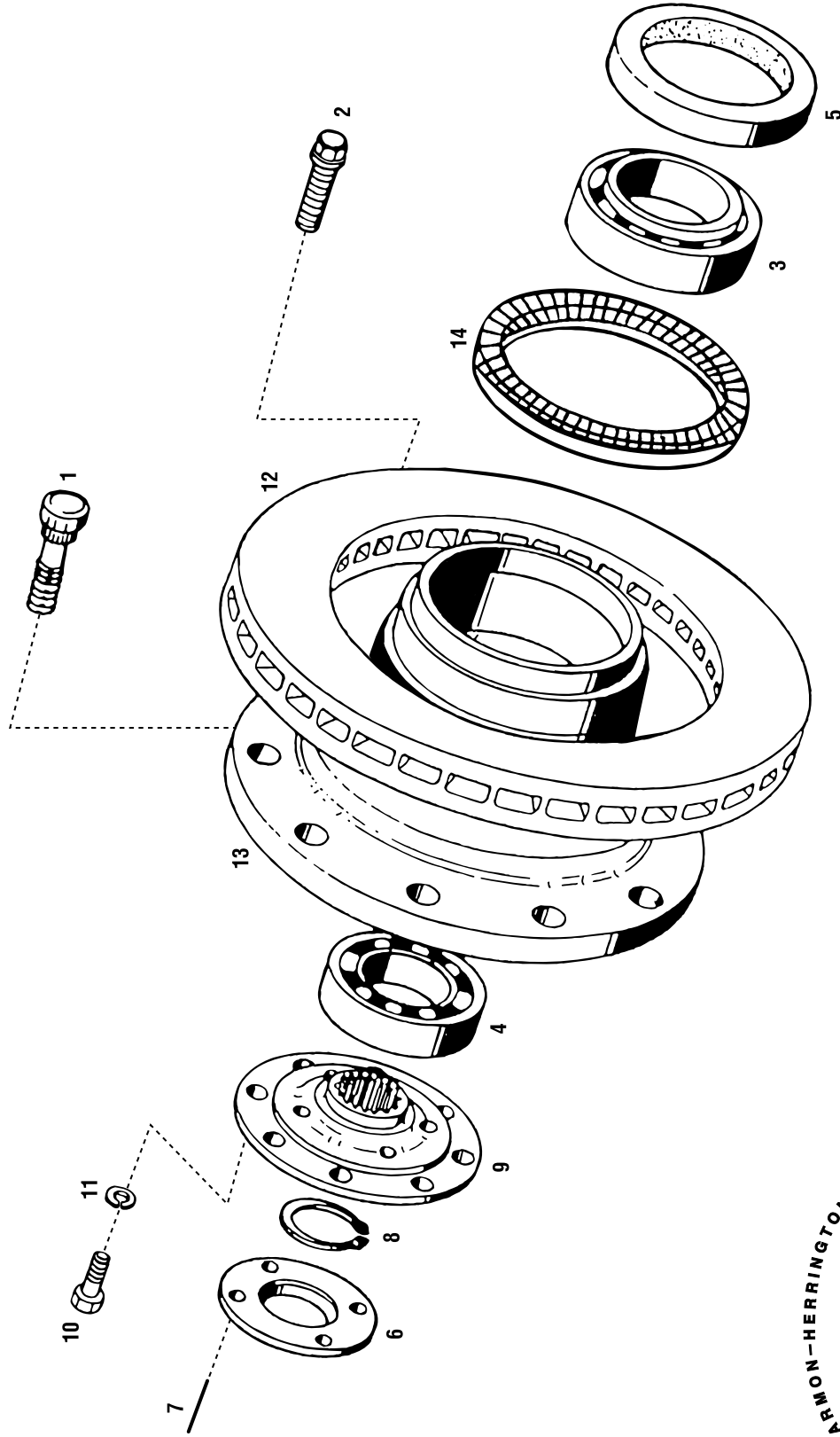
AXLE HOUSING CT8



AXLE SHAFT ASSEMBLY CT8



WHEEL HUB CT8H



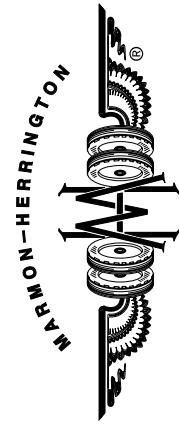
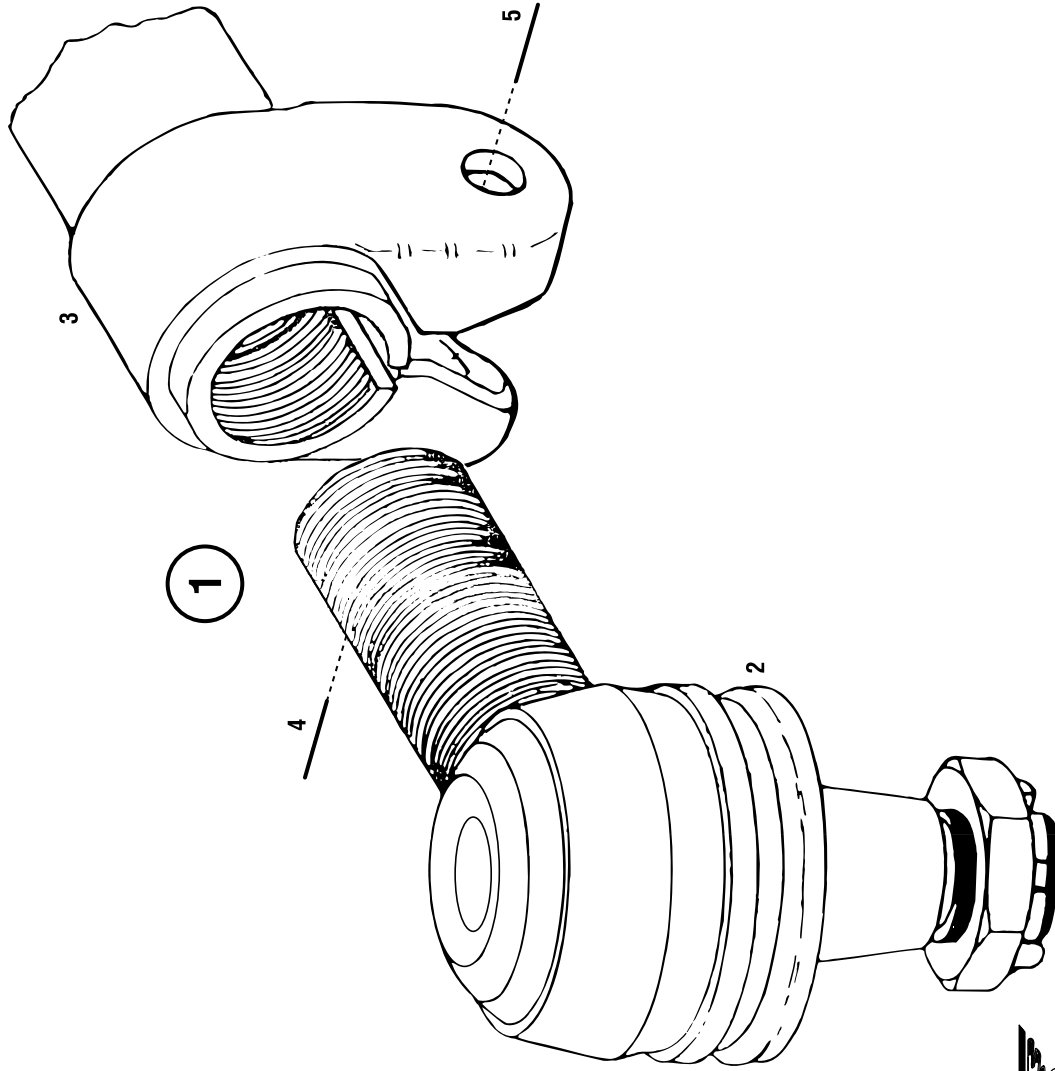
ITEM NO.	MH PART NO.	DESCRIPTION	QTY. REQ.	ITEM NO.	MH PART NO.	DESCRIPTION	QTY. REQ.
1	MT93-1985	Wheel Bolt, M22x1.5	20				
2	MT10-1120	Hex Flanged Bolt	16				
3	MT10-1121	Wheel Bearing, Inner	2				
4	MT10-1043	Wheel Bearing, Outer	2				
5	MT10-1123	Oil Seal	2				
6	MT10-1051	Cover	2				
7	11500713	Hex Bolt	8				
8	MT10-1124	Snap Ring	2				
9	MT10-1050	Drive Flange	2				
10	455014	Hex Bolt	16				
11	103323	Washer	16				
12	CT8-1125	Brake Disc Rotor Only (CT8/H Only)	2				
13	CT8-1135	Wheel Hub (CT8H Only)	2				
14	MT93-1418	Impulse Ring	2				



**WHEEL HUB
CT8H**

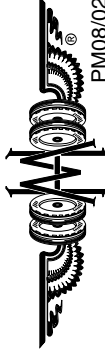
MARMON-HERRINGTON ALL-WHEEL DRIVE
 13001 Magisterial Drive • Louisville, KY 40223
 (502) 253-0277 • (800) 227-0727 • Fax (502) 253-0317
 E-mail: info@marmon-herrington.com

TIE-ROD CT8



ITEM NO.	MH PART NO.	DESCRIPTION	QTY. REQ.	ITEM NO.	MH PART NO.	DESCRIPTION		QTY. REQ.
1	CT8-1127	Tie-Rod Assembly	1					
2	CT8-1128	Ball Joint Head, Left	1					
3	CT8-1129	Ball Joint Head, Right	1					
4	CT8-1131	Tie-Rod, with Clamps	1					
5	11500735	Hex Bolt, M12x1.75x65-10.9	2					
	11500756	Self-locking Nut, M12x1.75	2					

**TIE-ROD
CT8**





13001 Magisterial Drive • Louisville, KY 40223
(502) 253-0277 • (800) 227-0727 • Fax (502) 253-0317
E-mail: info@marmon-herrington.com