

SMALL DIAL - FLUSH MOUNTING INDUSTRIAL SERVICE GAUGE



The model 11/15P is manufactured to meet the demand for small high quality gauges designed for applications using gases, water or any liquid that does not attack brass and bronze.

The one piece polycarbonate case with integral window forms a solid baffle in front of the Bourdon tube and incorporates a full diameter stainless steel blow-out back so that in the event of a tube failure through corrosion, explosion or gross over pressure any vapour or debris is vented from the back of the case.

This gauge is designed for fitting into a panel, and is held in place by a screwed plastic clamping ring which screws around the outside of the case providing very easy fixing. The transparent front flange assumes the colour of the panel.

For oxygen applications these gauges must be manufactured to ensure they are entirely free from oil and grease.

Size

63 mm & 80mm Dial diameter

Mounting

Flush

Case & Bezel

One Piece Polycarbonate, Safety Pattern case

Scale Ranges

0 to 1 Bar, up to 250 Bar Pressure
Equivalent units of pressure / vacuum available
Single and dual scales are available

Pressure Element

Phosphor Bronze Bourdon tube soldered to brass connection and end piece

Overload

≤100 Bar 1.25 x Maximum scale value
≤600 Bar 1.15 x Maximum scale value

Pressure Connection

1/4" BSP as Standard
1/8", 1/4" & 3/8" BSP & NPT are also available

Accuracy Class

CL:1 1.0% of FSD as defined in EN837-1

Temperature

Operating: -20 to +90 °C
Storage: -40 up to +100 °C
Options: for lower or higher operating temperatures, please contact our Sales Office

Temperature Effect

Variation in indication caused by temperature shall not exceed $\pm 0.04 \times (t_2 - t_1)\%$ of the span where:
t1 is the reference ambient temperature in degrees Celsius
t2 is the ambient temperature in degrees Celsius



Dial

White Anodised Aluminium marked in black finish
Option: Dual scale, colour bands & sectors
Customisation with Company Name & Logo also available

Pointer

Stainless steel coloured black

Movement

Brass Construction
Option : Viscous Damped movement to overcome the effects of minor pressure pulsations and vibrations

Window

One Piece Polycarbonate

Environmental Rating

IP54 as defined in EN 60 529

Traceability

All instruments are individually calibrated and have an unique Serial Number printed on the dial. A Certificate of Conformity Traceable to National Standards is Supplied Free of Charge

Certification available

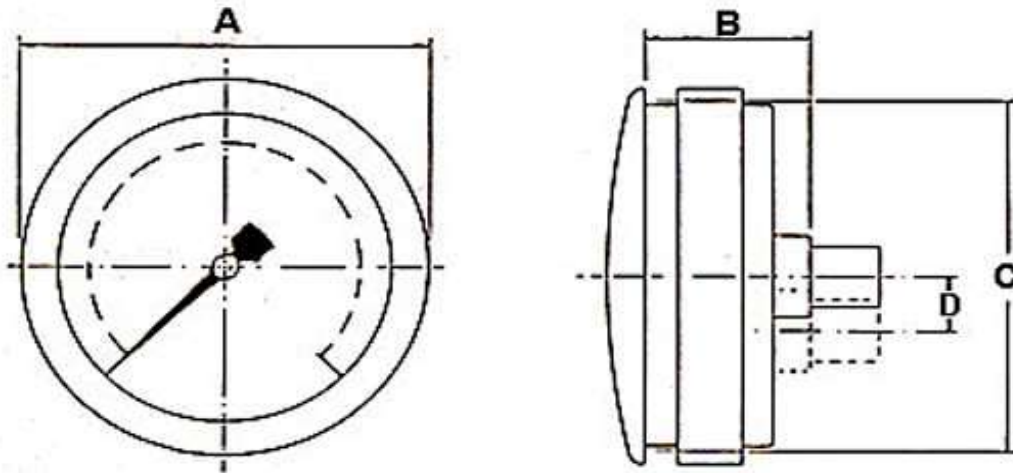
BS EN 10204 3.1B Material Certification
Point by Point Test Certificate

Safety

All units are manufactured to comply with EN 837-1, S3 specification and other regulatory standards including PED.

Installation instructions

Refer to EN 837-2



Model No	A	B	C	D	Weight
63mm Polycarbonate Case	68mm	40mm	63mm	13.5mm	0.2kg
80mm Polycarbonate Case	94mm	38mm	87mm	13.5mm	0.3kg

Options

- Case : Customer Name or Logo
- Mounting : See other Datasheets for various mountings
- Threads : NPT available
- Dials : Colour sectors

Accessories

For high temperature applications such as steam, see our range of syphons and adaptors. – See separate Datasheet.
 Brass shut off cocks

Specifications and dimensions in this leaflet, are subject to change without prior notice.



<p>Budenberg Gauge Co. Ltd. Unit B2 Stuart Road Altrincham Business Park, Altrincham WA14 5GJ Tel: +44 161 777 7300. Email: sales@budenberg.co.uk</p>	<p>Budenberg Gauge Pvt. Ltd. 299-300, IInd Main Road, Nehru Nagar, Old Mahabalipuram Road (OMR) , Chennai - 600 096, Tamil Nadu , India Tel : +91 44 24541074 Tel/Fax: +91 44 24541075 Email: sales@budenberg-gauge.in</p>	<p>Budenberg Gauge Asia Pacific Ltd Unit 109 Cheung Fat Ind Bldg 64-76 Larch St Tai Kok Tsui Kln Hong Kong Tel : +852 3709 0020 Email: sales@budenberg-gauge.asia</p>	<p>Budenberg Middle East LLC PO Box 18980 Dubai United Arab Emirates Tel: +971 4 2511670 Email: sales@bme-me.com</p>
---	---	--	--