

# Exergetic Port-Hamiltonian Systems: A compositional electro-magneto hydrodynamics model

Markus Lohmayer,<sup>1</sup> Michael Kraus,<sup>2</sup> and Sigrid Leyendecker<sup>1</sup>

<sup>1</sup>*Friedrich-Alexander Universität Erlangen-Nürnberg, Erlangen, Germany*

<sup>2</sup>*Max-Planck-Institut für Plasmaphysik, Garching, Germany*

(\*Electronic mail: markus.lohmayer@fau.de)

(Dated: 2 October 2024)

Computational fluid dynamics plays a crucial role in various multiphysics applications, including energy systems, electronics cooling, and biomedical engineering. Developing computational models for complex coupled systems can be challenging and time-consuming. In particular, ensuring the consistent integration of models from diverse physical domains requires meticulous attention. Even if the coupling of specialized simulation tools based on different formalisms were practically feasible, the growing demand to combine first-principles-based modeling with scientific machine learning necessitates an integrated high-level approach to model specification. Considering the example of electro-magneto hydrodynamics (on a fixed spatial domain and with linear polarization and magnetization), this article demonstrates how relatively complex models can be hierarchically composed from simpler parts by means of a formal language for multiphysics modeling. The Exergetic Port-Hamiltonian Systems (EPHS) modeling language features a simple graphical syntax for expressing the energy-based interconnection of subsystems. This reduces cognitive load and facilitates communication, especially in multidisciplinary environments. As the example demonstrates, existing models can be easily integrated as subsystems of new models. Specifically, the ideal fluid model is used as a subsystem of the Navier-Stokes-Fourier fluid model, which in turn is used as a subsystem of the electro-magneto hydrodynamics model. The compositional approach makes it nearly trivial to encapsulate, reuse, and swap out (parts of) models. Moreover, structural properties of EPHS models guarantee fundamental properties of thermodynamic systems, such as conservation of energy, non-negative entropy production, and Onsager reciprocal relations.

## I. INTRODUCTION

We first introduce the EPHS modeling language and the aim for this article. Next, we discuss some related work. Finally, we give an outline of the following sections.

### A. EPHS modeling language

Exergetic Port-Hamiltonian Systems (EPHS) offer a compositional and thermodynamically-consistent language for the specification of dynamic multiphysical models 1. This includes models from classical mechanics and electro-magnetism as well as irreversible processes with local thermodynamic equilibrium. An EPHS model is defined by a power-preserving interconnection of primitive subsystems that represent fundamental physical behaviors, namely storage as well as reversible and irreversible exchange of energy. The interconnection is expressed in a simple graphical syntax. Since expressions in the syntax are composable, models can be defined hierarchically to manage complexity and to make their parts reusable. Due to structural properties, models automatically conform with the first and second law of thermodynamics, Onsager reciprocal relations, and possibly further conservation laws such as conservation of mass.

The application of EPHS to spatially-lumped models 1 such as multibody systems 2 suggests that the language could be useful in practice, once structure-preserving time discretization and a computer implementation are developed. In this article, we explore another direction, namely the possibility to apply EPHS to spatially-distributed models. At the same time,

we want to demonstrate the effectiveness of the compositional approach by constructing a relatively complex model through hierarchical nesting of simpler models.

### B. Related work

In 1, we discuss how the EPHS language integrates ideas from the following four research fields: (1) graphical and energy-based modeling of physical systems with bond graphs, (2) the metriplectic/GENERIC framework for nonequilibrium thermodynamics, (3) port-Hamiltonian systems theory, and (4) applied category theory research on the formalization of graphical languages as well as compositional dynamical systems. Here, we discuss some related work on fluid models with Hamiltonian and port-Hamiltonian structure. While some familiarity with Hamiltonian mechanics and port-Hamiltonian systems is assumed here, this is not the case for the main part of the article.

#### 1. Hamiltonian fluid mechanics

The discovery of the geometry underlying classical fluid mechanics was pioneered by Vladimir Arnold who found that Euler's equation for a freely rotating rigid body and Euler's equation for an incompressible ideal fluid possess a similar noncanonical Hamiltonian structure, see 3 and 4. This so-called Lie-Poisson structure can be derived via symmetry reduction. For a freely rotating rigid body, the canonical configuration space is the Lie group of  $3 \times 3$  rotation matrices  $SO(3)$ .

The invariance (or symmetry) of the Hamiltonian function (kinetic energy) under superimposed rotations (left translation in group theory terms) leads to a reduced system with a Lie-Poisson structure on the linear dual of the left Lie algebra  $\mathfrak{so}(3)$  associated with  $SO(3)$ . This gives an evolution equation for the momentum of the body expressed in a body-attached frame. For an incompressible ideal fluid, the canonical Hamiltonian description tracks fluid particles (Lagrangian viewpoint in continuum mechanics terms). The corresponding canonical configuration space is the group of volume-preserving diffeomorphisms on the spatial domain occupied by the fluid. For this to be a group (and for the system to be autonomous), the assumption is made that the fluid velocity is always tangential at the boundary of the spatial domain (or that no boundary exists). The invariance of the Hamiltonian function under particle relabelling (right translation in group theory terms) similarly leads to a reduced system with a Lie-Poisson structure on the linear dual of the right Lie algebra of the diffeomorphism group. This gives an evolution equation for the fluid momentum (or alternatively for the fluid velocity) expressed in an inertial reference frame (Eulerian viewpoint in continuum mechanics terms). For more details concerning Hamiltonian mechanics on Lie groups and symmetry reduction, see e.g. 5–7.

Using a semidirect product of Lie groups, the geometric approach can be extended to arbitrary rigid-body motions on the one hand and to compressible fluids on the other. For rigid body dynamics, the semidirect product  $SE(3) = SO(3) \ltimes \mathbb{R}^3$  also keeps track of translations, which are acted upon by rotations. For compressible fluid dynamics, a semidirect product additionally keeps track of mass and entropy (densities), which are acted upon by diffeomorphisms (advection). For more details, see e.g. 8 and 9.

## 2. Port-Hamiltonian fluid dynamics

While the assumption of a velocity field that is tangential at the boundary is fundamental at the Lie group (configuration) level, it plays no important role at the Lie algebra (velocity) level. Based on this observation, the Lie-Poisson structure can be generalized to a Stokes-Dirac structure 10, leading to a port-Hamiltonian model of (incompressible or compressible) ideal fluid dynamics that explicitly takes into account energy exchange at the boundary of the spatial domain. This was first explored in 11 and discussed in more detail in 12 and 13. In Section III, the ideal fluid model is expressed in a modular and fully decomposed form using the EPHS language.

In 14, the port-Hamiltonian ideal fluid model is extended to account for the loss of mechanical energy due to viscosity. The extension is based on an in-domain port, which is closed with a resistive relation that removes energy. The resulting Navier-Stokes model neglects the thermal energy domain, as its ‘Hamiltonian’ storage function represents only the mechanical energy (at the macroscopic level). The thermal energy is neglected based on either the incompressibility or barotropicity assumption. The latter refers to a compressible fluid whose internal energy, and hence also pressure, depend

solely on the mass density.

In 15, it is briefly shown how to extend this to a thermodynamically-consistent port-Hamiltonian Navier-Stokes-Fourier system. Its internal energy function not only depends on the mass density but also on the fluid’s entropy. Moreover, a subsystem representing the irreversible process of thermal conduction is added. The storage function of the port-Hamiltonian system is recognized as the exergy content of the fluid, i.e. the amount of energy that is theoretically available to do work with respect to a fixed reference environment, see 16. This enables the thermodynamically-consistent combination of reversible and irreversible dynamics, as known from the metriplectic/GENERIC formalism, see for instance 17–20. In Section IV, this Navier-Stokes-Fourier fluid model is stated in a more detailed and improved manner.

## C. Outline

Section II gives a practical introduction to the EPHS language, using the example of an ideal barotropic fluid model on a one-dimensional spatial domain. Section III states the EPHS model of an ideal compressible fluid on a three-dimensional spatial domain, modeled as a Riemannian manifold with boundary. Section IV extends the ideal fluid model to a Navier-Stokes-Fourier system by adding thermal conduction and viscosity models. Section V states a Maxwell model describing the propagation of electromagnetic waves. Section VI combines the Navier-Stokes-Fourier system and the Maxwell system into a model that describes the motion of an electrically-charged fluid interacting with electric and magnetic fields. Section VII concludes with a discussion.

The Appendix summarizes the exterior calculus formalism that is used in the main part. Compared to vector calculus, this enables a coordinate-independent description of spatially-distributed systems, which makes explicit the geometric nature of physical quantities. Moreover, the use of the metric structure of the spatial domain is minimized and made explicit.

## II. SPATIALLY-DISTRIBUTED EPHS BY EXAMPLE

While the introduction to the EPHS language given here aims to be self-contained, from a pedagogical perspective, it might be beneficial to start with either the short, practical introduction to spatially-lumped EPHS provided in 2 or the precise definition given in 1. Here, we aim for a brief introduction, using the example of a spatially-distributed system. Specifically, we consider an ideal barotropic fluid model on a one-dimensional spatial domain  $\mathcal{L} = [0, L] \subset \mathbb{R}$  with  $L \in \mathbb{R}_{>0}$  and coordinate  $z \in \mathcal{L}$ .

### A. Graphical syntax

A primary feature of the EPHS language is its graphical syntax. Expressions in the syntax are called *interconnection*

*patterns*, since their purpose is to specify how increasingly complex systems can be formed by interconnecting simpler subsystems. The pattern shown in Fig. 1 is used to specify the considered fluid model in terms of five subsystems. The round inner boxes represent (the interfaces of) the subsystems, while the rectangular outer box represents the interface of the resulting *composite system*. An *interface* is a collection of *ports*, which are drawn as lines emanating from the box. For instance, box *ke* represents an interface with two ports named  $p_s$  and  $m$ . Similarly, the outer box represents an interface with two ports named  $b_k$  and  $b_m$ . Ports are connected to *junctions*, which are drawn as black dots. To distinguish ports with the same name belonging to different subsystem interfaces, the name of the box is used as a prefix. For instance, the three ports *ke.m*, *sa.m* and *pps.m* are connected to the same junction. In the graphical representation, the name of the port is normally written next to the box to which it belongs but whenever all ports connected to a junction have the same name, we write it only once at the junction. This is the case with all junctions in Fig. 1.

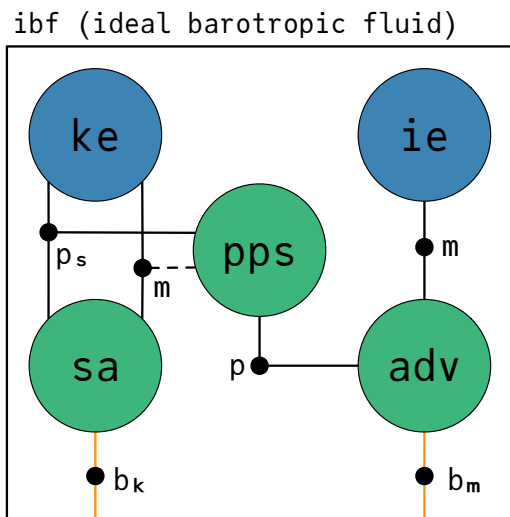


FIG. 1. Interconnection pattern for an ideal barotropic fluid model. Box *ke* represents storage of kinetic energy, which is exchanged both in terms of (specific) momentum via port *ke.p<sub>s</sub>* and mass via port *ke.m*. Box *pps* represents the reversible transformation between two different representations of momentum, namely specific momentum (or velocity) exchanged via port *pps.p<sub>s</sub>* and momentum density exchanged via port *pps.p*. As the transformation involves the mass density, the box has a state port *pps.m*, drawn as a dashed line. Box *sa* represents self-advection of kinetic energy and the boundary port  $b_k$  accounts for advection across the boundary  $\partial\mathcal{L}$ . Box *ie* represents storage of internal energy, which is exchanged in terms of mass via port *ie.m*. Box *adv* represents advection of internal energy in terms of mass and the boundary port  $b_m$  accounts for advection across the boundary  $\partial\mathcal{L}$ .

The syntax is compositional since expressions can be hierarchically nested. Whenever the outer interface of one expression equals, up to a given renaming of ports, some inner interface of another expression, the two expressions can be uniquely composed, giving a single expression 1. Consequently, complex interconnection patterns can be easily avoided by refactoring them into a hierarchy of simple, reusable parts.

## B. Semantics

The meaning of a composite system is determined by the meaning of its interconnection pattern and the meaning of the subsystems that fill the inner boxes. The meaning of the interconnection pattern arises from its junctions, where the connected ports can exchange energy and state information. Considering that subsystems may themselves be composite systems, we note that the assignment of meaning to interconnection patterns is compatible with their composition. As discussed in 1, the semantics of composable systems are best understood in terms of relations and their composition. However, to keep the article short, we restrict our attention to the equations that define the relations, rather than using the relational framework explicitly.

Since a hierarchy of interconnection patterns can be uniquely flattened into a single pattern, a composite system is ultimately given by an interconnection of primitive systems, also called components. The different kinds of components are characterized by a particular structure of their defining equations. Together with the structure of the equations that give meaning to interconnection patterns, this guarantees in particular that any model respects the first and the second law of thermodynamics.

The color filling of the inner boxes of an interconnection pattern is merely an annotation indicating what kind of system shall fill each box. The following list provides an overview:

- Blue boxes are filled with *storage components*, which are primitive systems representing storage of energy.
- Green boxes are filled with *reversible components*, which represent a reversible coupling between energy domains, a reversible transformation or a constraint.
- Red boxes are filled with *irreversible components*, which model an irreversible process.
- Yellow boxes are filled with nested *composite systems*. A yellow box and the outer box of the pattern of the nested system are identified.

## C. Ports and interfaces

According to the definition of spatially-lumped systems in 1, each port has two attributes. One attribute is a Boolean that distinguishes between *state ports* and *power ports*. The other attribute assigns a physical quantity along with an underlying state space. At a junction, only ports with the same

quantity (and state space) can be connected. A state port, drawn as a dashed line, exchanges state information through its *state variable*. This dynamic variable represents the physical quantity determined by the respective attribute and it takes values in the underlying state space. A power port, drawn as a solid line, also allows for energy exchange via two additional port variables called *flow* and *effort*. These dynamic variables respectively take values in the tangent and cotangent bundles over the port's state space. The flow variable gives a rate of change of the underlying state variable and the effort variable is defined such that the duality pairing of both variables gives the (exergetic) power that is exchanged via the port.

The spatially-distributed systems considered here require some adjustments to the above:

1. State spaces depend on a spatial domain. For instance, the quantity associated to port  $\text{pps.m}$  is  $(C^\infty(\mathcal{Z}), \text{mass}) \in \mathbf{Q}$ , indicating that the port shares information about the fluid's mass density and the underlying state space is the space of smooth functions on  $\mathcal{Z} = [0, L]$ . The set  $\mathbf{Q}$  contains the possible quantities (parametrized over spatial domains). We write  $\text{pps.m.x} \in C^\infty(\mathcal{Z})$  to refer to the state variable, which, like any port variable, implicitly depends on time.

2. The spaces in which the flow and effort variables of power ports take values are usually not directly identified as the tangent and cotangent bundles over the port's state space. Here, both spaces can be identified with  $C^\infty(\mathcal{Z})$ . Moreover, the duality pairing involves an integral over the domain. For instance, port  $\text{ke.m}$  shares information about mass through its state variable  $\text{ke.m.x} \in C^\infty(\mathcal{Z})$  and it can exchange energy by exchanging mass. Its flow variable  $\text{ke.m.f} \in C^\infty(\mathcal{Z})$  equals the rate at which mass is locally added to the system via the port and the corresponding effort variable  $\text{ke.m.e} \in C^\infty(\mathcal{Z})$  equals the amount of kinetic energy per unit of exchanged mass. Their duality pairing is

$$\langle \text{ke.m.e} \mid \text{ke.m.f} \rangle = \int_0^L \text{ke.m.e} \cdot \text{ke.m.f} \, dz.$$

The net power supplied to the storage component is then given by  $\langle \text{ke.p}_s.e \mid \text{ke.p}_s.f \rangle + \langle \text{ke.m.e} \mid \text{ke.m.f} \rangle$  and it equals the rate at which kinetic energy is stored in the fluid.

3. Two power ports may be fundamentally incompatible, despite having the same physical quantity. For instance, ports  $\text{sa.m}$  and  $\text{adv.m}$  both have the quantity  $(C^\infty(\mathcal{Z}), \text{mass})$ , but for  $\text{sa.m}$ , mass carries kinetic energy, whereas for  $\text{adv.m}$ , it carries internal energy. To avoid ill-formed connections at the level of syntax, we distinguish three kinds of power ports using the symbols  $\{k, p, i\}$ . Here,  $k$  stands for kinetic or magnetic energy,  $p$  is for potential or electric energy, and  $i$  is for internal energy. We hence write  $((C^\infty(\mathcal{Z}), \text{mass}), k)$  for the attributes of port  $\text{sa.m}$  and  $((C^\infty(\mathcal{Z}), \text{mass}), i)$  for the attributes of port  $\text{adv.m}$ .

4. While state and power ports model some coupling within the spatial domain, a *boundary port*, drawn as an orange line, models energy exchange across the boundary of the domain. A reversible or irreversible component involving a differential operator has one or more boundary ports. To obtain the power balance equation for the component, integration by parts is used and the resulting boundary terms are somehow split into

the flow and effort variables of the boundary ports. These ports are then used to impose boundary conditions or to join instances of the same component on neighboring domains. For instance, in Fig. 1, the boundary ports of the reversible components are exposed, allowing for such connections to be made at a higher level, where the ideal fluid model is seen as a subsystem. The flow variables  $\text{sa.b}_k.f$  and  $\text{adv.b}_m.f$  are equal to the mass flow rate into the system across  $\partial\mathcal{Z}$ . The effort variables  $\text{sa.b}_k.e$  and  $\text{adv.b}_m.e$  respectively are equal to the amount of kinetic and internal energy per unit of mass (except that the latter includes a shift by a chemical potential of the reference environment to give the amount of exergy). To assign meaning to interconnection patterns, the attributes of a boundary port determine the spaces in which its flow and effort variables take values. To safeguard against ill-formed connections at the level of syntax, a hash value could be included that identifies the component, its differential operator, and the splitting of the boundary term from which the port is originally derived. We write  $\mathbf{B}$  for the set of possible attributes of boundary ports, but we omit the details for now.

Formally, an interface  $I = (N, \tau)$  is given by a finite set of ports  $N$  and a function  $\tau: N \rightarrow \mathbf{Q} \sqcup \mathbf{Q} \times \{k, p, i\} \sqcup \mathbf{B}$  that assigns their attributes. For instance, the interface  $I_{\text{ke}} = (N_{\text{ke}}, \tau_{\text{ke}})$  defining the box  $\text{ke}$  is given by the set of ports  $N_{\text{ke}} = \{\text{p}_s, \text{m}\}$  and the function  $\tau_{\text{ke}}$  determined by

$$\begin{aligned} \tau_{\text{ke}}(\text{p}_s) &= ((C^\infty(\mathcal{Z}), \text{specific\_momentum}), k) \\ \tau_{\text{ke}}(\text{m}) &= ((C^\infty(\mathcal{Z}), \text{mass}), k). \end{aligned} \quad (1)$$

#### D. Semantics of interconnection patterns

The semantics of an interconnection pattern can be stated in terms of up to three equations per junction. The first one is called *equality of state*, as it demands equality of the state variables of all connected state and power ports. For instance, we have

$$\text{ke.m.x} = \text{sa.m.x} = \text{pps.m.x}. \quad (2a)$$

Similarly, *equality of effort* requires the effort variables of all connected power ports to be equal. We hence have

$$\text{ke.m.e} = \text{sa.m.e}. \quad (2b)$$

Finally, *equality of net flow* demands that the sum of the flow variables of all connected inner power ports is equal to the sum of the flow variables of all connected outer power ports. For the present example, this gives

$$\text{ke.m.f} + \text{sa.m.f} = 0, \quad (2c)$$

where the right hand side is zero because no connected power port belongs to the outer box. For a junction where boundary ports are connected, equality of effort and equality of net flow apply in the same way.

#### E. Components

In this subsection, we discuss the five primitive subsystems.

The storage component  $(I_{ke}, E_{ke})$  filling box  $ke$  is defined by its interface  $I_{ke}$ , see Eq. (1), and its energy function  $E_{ke}: \mathcal{X}_{ke} \rightarrow \mathbb{R}$ , where  $\mathcal{X}_{ke} = C^\infty(\mathcal{Z}) \times C^\infty(\mathcal{Z})$  is given by the Cartesian product of the state spaces of the ports in  $I_{ke}$ . The kinetic energy is given by

$$E_{ke}(v, \rho) = \int_{\mathcal{Z}} \frac{1}{2} \cdot \rho \cdot v^2 dz,$$

where  $v = ke.p_s.x$  and  $\rho = ke.m.x$ . At a storage component, the flow variables are the rates of change of the respective state variables and the effort variables are the components of the (functional) derivative of the exergy function. For purely mechanical and electromagnetic forms of energy, the exergy function is equal to the energy function. We thus have

$$ke.p_s.f = \dot{v} \quad (3a)$$

$$ke.p_s.e = \rho \cdot v \quad (3b)$$

$$ke.m.f = \dot{\rho} \quad (3c)$$

$$ke.m.e = v^2/2. \quad (3d)$$

The stored power is consequently given by

$$\dot{E}_{ke} = \int_{\mathcal{Z}} (ke.p_s.e \cdot ke.p_s.f + ke.m.e \cdot ke.m.f) dz.$$

The storage component  $(I_{ie}, E_{ie})$  filling box  $ie$  has the interface  $I_{ie} = (N_{ie}, \tau_{ie})$  with  $N_{ie} = \{m\}$  and  $\tau_{ie}(m) = ((C^\infty(\mathcal{Z}), \text{mass}), i)$ . Its energy function  $E_{ie}: C^\infty(\mathcal{Z}) \rightarrow \mathbb{R}$  has the form

$$E_{ie}(\rho) = \int_{\mathcal{Z}} U(\rho) dz,$$

where  $U: \mathbb{R} \rightarrow \mathbb{R}$  defines the internal energy of the barotropic fluid in terms of its mass density  $\rho = ie.m.x$ . We note that internal energy refers to energy stored at more microscopic scales, which are not resolved by the thermodynamic or macroscopic model. The derivative  $\mu = \frac{\partial U}{\partial \rho}$  is the chemical potential and the pressure is given by  $\pi = \mu \cdot \rho - U(\rho)$ . This is seen by considering a small control volume such that the contained fluid is in thermodynamic equilibrium. Let  $\bar{U}(m, v)$  be the internal energy of the fluid, given in terms of its mass  $m$  and volume  $v$ . In equilibrium thermodynamics, the chemical potential is defined by  $\mu = \frac{\partial \bar{U}(m, v)}{\partial m}$  and the pressure is defined by  $\pi = -\frac{\partial \bar{U}(m, v)}{\partial v}$ . Because mass, volume and energy are extensive quantities,  $\bar{U}$  is a homogeneous function of degree one, meaning that

$$\forall c \in \mathbb{R}_{>0} : c \cdot \bar{U}(m, v) = \bar{U}(c \cdot m, c \cdot v).$$

For  $c = 1m^3/v$ , we get

$$\frac{\bar{U}(m, v)}{v} = \frac{\bar{U}(\rho \cdot 1m^3, 1m^3)}{1m^3} =: U(\rho),$$

where  $\rho = m/v$ . Based on this, we obtain

$$\mu = \frac{\partial \bar{U}(m, v)}{\partial m} = \frac{\partial (v \cdot U(\frac{m}{v}))}{\partial m} = \frac{\partial U(\rho)}{\partial \rho}$$

and

$$\begin{aligned} \pi &= -\frac{\partial \bar{U}(m, v)}{\partial v} = -\frac{\partial (v \cdot U(\frac{m}{v}))}{\partial v} \\ &= -\left( U(\rho) + v \cdot \frac{\partial U(\rho)}{\partial \rho} \cdot \left(-\frac{m}{v^2}\right) \right) = \mu \cdot \rho - U(\rho). \end{aligned}$$

Assuming that the exergy reference environment contains a mass species with chemical potential  $\mu_0$ , the exergy storage function is, modulo an added constant, given by

$$H_{ie}(\rho) = \int_{\mathcal{Z}} (U(\rho) - \mu_0 \cdot \rho) dz.$$

The flow and effort variables are then given by

$$ie.m.f = \dot{\rho} \quad (4a)$$

$$ie.m.e = \mu - \mu_0. \quad (4b)$$

In the present case, the presence of the mass species in the environment and the resulting shift of the effort by  $\mu_0$  are not substantial.

The reversible component  $(I_{pps}, \mathcal{D}_{pps})$  filling box  $pps$  has the interface  $I_{pps} = (N_{pps}, \tau_{pps})$  with  $N_{pps} = \{p_s, p, m\}$  and

$$\tau_{pps}(p_s) = ((C^\infty(\mathcal{Z}), \text{specific\_momentum}), k)$$

$$\tau_{pps}(p) = ((C^\infty(\mathcal{Z}), \text{momentum}), k)$$

$$\tau_{pps}(m) = (C^\infty(\mathcal{Z}), \text{mass}).$$

The reversible transformation between the two representations of momentum is expressed by the Dirac structure  $\mathcal{D}_{pps}$  that is given by

$$\left[ \begin{array}{c} pps.p_s.f \\ pps.p.e \end{array} \right] = \left[ \begin{array}{c|c} 0 & -1/\rho \\ \hline 1/\rho & 0 \end{array} \right] \left[ \begin{array}{c} pps.p_s.e \\ pps.p.f \end{array} \right], \quad (5)$$

where  $\rho = pps.m.x$ . Due to the skew-symmetry of the matrix in Eq. (5), the net power at the component vanishes, i.e.

$$\int_{\mathcal{Z}} (pps.p_s.e \cdot pps.p_s.f + pps.p.e \cdot pps.p.f) dz = 0.$$

The reversible component  $(I_{sa}, \mathcal{D}_{sa})$  filling box  $sa$  has the interface  $I_{sa} = (N_{sa}, \tau_{sa})$  with  $N_{sa} = \{p_s, m, b_k\}$  and

$$\tau_{sa}(p_s) = ((C^\infty(\mathcal{Z}), \text{specific\_momentum}), k)$$

$$\tau_{sa}(m) = ((C^\infty(\mathcal{Z}), \text{mass}), k).$$

In this article, we omit the attributes of boundary ports. Self-advection of the fluid's kinetic energy is expressed by the Stokes-Dirac structure  $\mathcal{D}_{sa}$  that is given by

$$\left[ \begin{array}{c} sa.p_s.f \\ sa.m.f \end{array} \right] = \left[ \begin{array}{c|c} 0 & \frac{\partial}{\partial z}(\_) \\ \hline \frac{\partial}{\partial z}(\_) & 0 \end{array} \right] \left[ \begin{array}{c} sa.p_s.e \\ sa.m.e \end{array} \right] \quad (6a)$$

$$\left[ \begin{array}{c} sa.b_k.f \\ sa.b_k.e \end{array} \right] = \left[ \begin{array}{c|c} -(\_) |_{\partial \mathcal{Z}} & 0 \\ \hline 0 & (\_) |_{\partial \mathcal{Z}} \end{array} \right] \left[ \begin{array}{c} sa.p_s.e \\ sa.m.e \end{array} \right], \quad (6b)$$

where  $\_$  denotes a placeholder for the respective component of the vector of effort variables,  $\frac{\partial}{\partial z}$  is the spatial derivative

and  $|_{\partial\mathcal{X}}$  denotes restriction to the boundary. The matrix in Eq. (6a) is formally skew-symmetric, since the adjoint of  $\frac{\partial}{\partial z}(\_)$  is  $-\frac{\partial}{\partial z}(\_)$ . In other words, the minus sign required for skew-symmetry cancels with the minus sign resulting from integration by parts. The net power at all three ports is zero, since

$$\begin{aligned} \int_{\mathcal{X}} (\mathbf{p}_s \cdot \mathbf{e} \cdot \mathbf{p}_s \cdot \mathbf{f} + \mathbf{m} \cdot \mathbf{e} \cdot \mathbf{m} \cdot \mathbf{f}) dz &= \int_{\mathcal{X}} \frac{\partial}{\partial z} (\mathbf{p}_s \cdot \mathbf{e} \cdot \mathbf{m} \cdot \mathbf{e}) dz \\ &= (\mathbf{m} \cdot \mathbf{e} \cdot \mathbf{p}_s \cdot \mathbf{e})|_{z=L} - (\mathbf{m} \cdot \mathbf{e} \cdot \mathbf{p}_s \cdot \mathbf{e})|_{z=0} = - \int_{\partial\mathcal{X}} \mathbf{b}_k \cdot \mathbf{e} \cdot \mathbf{b}_k \cdot \mathbf{f}. \end{aligned}$$

The ‘integral’ over  $\partial\mathcal{X}$  is simply the sum of the integrand evaluated at the two points, taking into account their opposite orientation, i.e.

$$\int_{\partial\mathcal{X}} (\_) dz = (\_)|_{z=L} - (\_)|_{z=0}. \quad (7)$$

If the boundary port  $\mathbf{b}_k$  is not connected with another port, equality of net flow gives  $\mathbf{b}_k \cdot \mathbf{f} = 0$ . This corresponds to an isolated boundary condition, since  $\mathbf{b}_k \cdot \mathbf{f}$  is the incoming mass flux at the boundary.

The reversible component  $(I_{\text{adv}}, \mathcal{D}_{\text{adv}})$  filling box  $\text{adv}$  has the interface  $I_{\text{adv}} = (N_{\text{adv}}, \tau_{\text{adv}})$  with  $N_{\text{adv}} = \{\mathbf{p}, \mathbf{m}, \mathbf{b}_m\}$  and

$$\begin{aligned} \tau_{\text{adv}}(\mathbf{p}) &= ((C^\infty(\mathcal{X}), \text{momentum}), \mathbf{p}) \\ \tau_{\text{adv}}(\mathbf{m}) &= ((C^\infty(\mathcal{X}), \text{mass}), \mathbf{p}). \end{aligned}$$

Advection of internal energy is expressed by the Stokes-Dirac structure  $\mathcal{D}_{\text{adv}}$  that is given by

$$\begin{aligned} \begin{bmatrix} \text{adv.p.f} \\ \text{adv.m.f} \end{bmatrix} &= \begin{bmatrix} 0 & \rho \cdot \frac{\partial}{\partial z}(\_) \\ \frac{\partial}{\partial z}(\rho \cdot \_) & 0 \end{bmatrix} \begin{bmatrix} \text{adv.p.e} \\ \text{adv.m.e} \end{bmatrix} \quad (8a) \\ \begin{bmatrix} \text{adv.b}_m \cdot \mathbf{f} \\ \text{adv.b}_m \cdot \mathbf{e} \end{bmatrix} &= \begin{bmatrix} -(\rho \cdot \_)|_{\partial\mathcal{X}} & 0 \\ 0 & (\_)|_{\partial\mathcal{X}} \end{bmatrix} \begin{bmatrix} \text{adv.p.e} \\ \text{adv.m.e} \end{bmatrix}, \quad (8b) \end{aligned}$$

where  $\rho = \text{adv.m.x}$ . Since, for any  $\varphi, \psi \in C^\infty(\mathcal{X})$ ,

$$\begin{aligned} \int_{\mathcal{X}} \varphi \cdot \frac{\partial}{\partial z}(\rho \cdot \psi) dz &= - \int_{\mathcal{X}} \frac{\partial}{\partial z}(\varphi) \cdot \rho \cdot \psi dz \\ &\quad + \int_{\partial\mathcal{X}} \varphi \cdot \rho \cdot \psi dz, \end{aligned}$$

the adjoint of  $\frac{\partial}{\partial z}(\rho \cdot \_)$  is  $-\rho \cdot \frac{\partial}{\partial z}(\_)$ . Thus, the matrix in Eq. (8a) is formally skew-symmetric. It can again be easily checked that the net power at all three ports is zero. Since  $\text{adv.m.e} = \text{pps.p.e}$  is the velocity,  $\mathbf{b}_m \cdot \mathbf{f}$  is again the incoming mass flow rate. Hence, the isolated boundary condition  $\mathbf{b}_m \cdot \mathbf{f} = 0$  implies no exchange of mass and internal energy at the boundary.

## F. Composite system

Finally, we collect the equations that define the semantics of the composite system. Combining Eqs. (3) to (6) and (8)

with the equations associated to the interconnection pattern in Fig. 1 (see Eq. (2)) and eliminating port variables gives the following system of equations for the composite system.

The equation for balance of mass is given by

$$\begin{aligned} \dot{\rho} = \text{ke.m.f} &= -\text{sa.m.f} = -\frac{\partial}{\partial z}(\text{sa.p}_s \cdot \mathbf{e}) \\ &= -\frac{\partial}{\partial z}(\text{ke.p}_s \cdot \mathbf{e}) = -\frac{\partial}{\partial z}(\rho \cdot \mathbf{v}). \end{aligned}$$

This also follows if we start with  $\dot{\rho} = \text{ie.m.f}$ , since mass is a state variable for both kinetic energy and internal energy.

The equation for balance of (specific) momentum reads

$$\begin{aligned} \dot{\mathbf{v}} = \text{ke.p}_s \cdot \mathbf{f} &= -\text{sa.p}_s \cdot \mathbf{f} - \text{pps.p}_s \cdot \mathbf{f} \\ &= -\frac{\partial}{\partial z}(\text{sa.m.e}) + \frac{1}{\rho} \cdot \text{pps.p.f} \\ &= -\frac{\partial}{\partial z}(\text{ke.m.e}) - \frac{1}{\rho} \cdot \text{adv.p.f} \\ &= -\frac{\partial}{\partial z} \left( \frac{1}{2} \cdot \mathbf{v}^2 \right) - \frac{1}{\rho} \cdot \rho \cdot \frac{\partial}{\partial z}(\mu - \mu_0) \\ &= -\mathbf{v} \cdot \frac{\partial \mathbf{v}}{\partial z} - \frac{1}{\rho} \cdot \frac{\partial \pi}{\partial z}. \end{aligned}$$

The last equality follows from

$$\frac{\partial \pi}{\partial z} = \frac{\partial}{\partial z}(\mu \cdot \rho - U(\rho)) = \frac{\partial \mu}{\partial z} \cdot \rho + \mu \cdot \frac{\partial \rho}{\partial z} - \frac{\partial U(\rho)}{\partial \rho} \cdot \frac{\partial \rho}{\partial z},$$

where the last two terms cancel. The balance equation can be rewritten as

$$\rho \cdot \left( \dot{\mathbf{v}} + \mathbf{v} \cdot \frac{\partial \mathbf{v}}{\partial z} \right) = -\frac{\partial \pi}{\partial z},$$

which can be recognized as Newton’s second law of motion applied to a fluid parcel, since the term in parenthesis is the material derivative of the velocity.

Regarding the boundary ports, the incoming mass flux at the boundary is given by  $-(\rho \cdot \mathbf{v})|_{\partial\mathcal{X}} = \mathbf{b}_k \cdot \mathbf{f} = \mathbf{b}_m \cdot \mathbf{f}$ . The effort variable  $\mathbf{b}_k \cdot \mathbf{e} = (\mathbf{v}^2/2)|_{\partial\mathcal{X}}$  is the kinetic energy per unit of incoming mass. The chemical potential  $\mu|_{\partial\mathcal{X}} = \mu_0 + \mathbf{b}_m \cdot \mathbf{e}$  is the internal energy per unit of mass and  $\mathbf{b}_m \cdot \mathbf{e} = \mu|_{\partial\mathcal{X}} - \mu_0$  is the corresponding exergy content.

## III. IDEAL FLUID MODEL

In this section, we implement an EPHS model of an ideal compressible fluid, whose spatial domain is a three-dimensional Riemannian manifold  $(\mathcal{X}, g)$  with boundary  $\partial\mathcal{X}$ , see Appendix A. Similar to the port-Hamiltonian ideal fluid model in 12 and 13, we view the model as being decomposed into a kinetic energy system and an internal energy system, see Fig. 2. The interconnection pattern is redrawn in Fig. 3, using a syntactic sugar called multiports. This means that multiple ports with a common prefix are drawn as a single connection in order to simplify the graphical representation of the interconnection pattern. The representation using multiports implies that ports with the same name are connected.



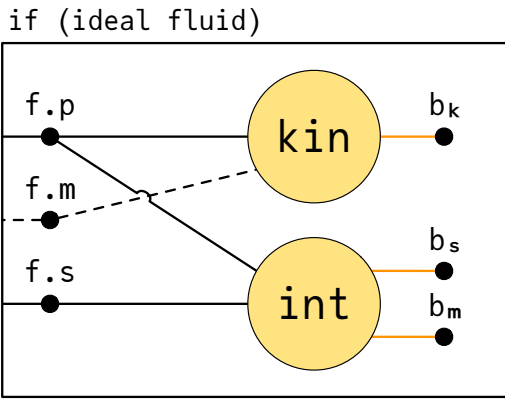


FIG. 2. Interconnection pattern for an ideal fluid model. Box *kin* represents the kinetic energy subsystem and box *int* represents the internal energy subsystem. The boundary ports  $b_k$ ,  $b_m$  and  $b_s$ , which account for advection of kinetic and internal energy across  $\partial\mathcal{L}$ , are not exposed, leading to a model with impermeable boundary.

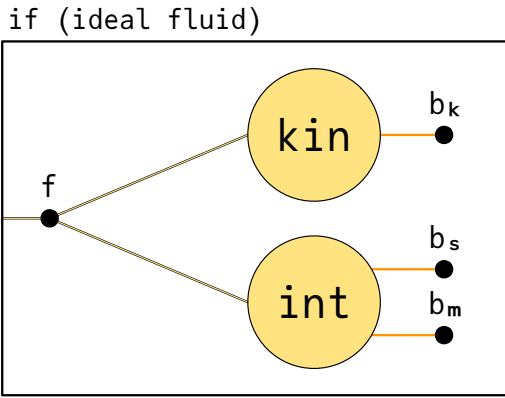


FIG. 3. The pattern from Fig. 2 is shown in a simplified form, where multiple ports with a common prefix are drawn as a single line, called a multiport.

### A. Kinetic energy system

The canonical definition of the kinetic energy system uses the interconnection pattern in Fig. 4, together with a storage component filling box *ke* that models storage of kinetic energy and a reversible component filling box *sa* that models self-advection of kinetic energy. We however work with the pattern shown in Fig. 5. The additional reversible component filling box *pps* performs a variable transformation between momentum density and specific momentum (momentum per unit mass), which is equivalent to velocity. Using velocity as a state variable is common in fluid mechanics and it simplifies the expression for the Stokes-Dirac structure that defines the reversible component in box *sa*, see 12.

Next, we discuss each of the three primitive systems filling the inner boxes of the pattern in Fig. 5 and then we collect the equations that define the semantics of the composite system.

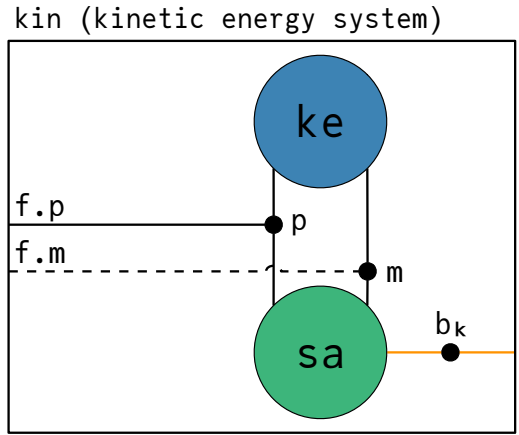


FIG. 4. Interconnection pattern for the canonical definition of the kinetic energy system. Box *ke* represents storage of kinetic energy, which is exchanged in terms of momentum via port *ke.p* and mass via port *ke.m*. Box *sa* represents self-advection of kinetic energy and the boundary port  $b_k$  accounts for advection across  $\partial\mathcal{L}$ . The outer port *f.p* allows for exchange of kinetic energy with other systems on the same domain  $\mathcal{L}$  and the outer state port *f.m* shares information about the fluid mass with other systems on  $\mathcal{L}$ .

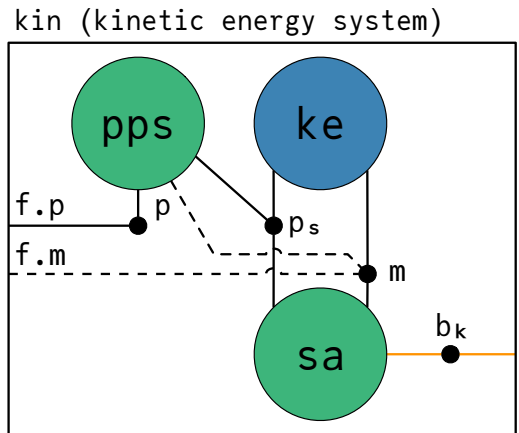


FIG. 5. Interconnection pattern of the kinetic energy system. In contrast to the pattern in Fig. 4, kinetic energy is expressed in terms of specific momentum (or velocity), rather than momentum density. To retain the same outer interface, the additional box *pps* represents the reversible transformation between the two alternative state variables.

#### 1. Storage of kinetic energy

The fluid mass  $\tilde{m} \in \tilde{\Omega}^3(\mathcal{L})$  is naturally expressed as a twisted 3-form, as its integral  $\int_{\mathcal{L}} \tilde{m}$  gives the total mass. The mass density is then given by the Hodge dual  $\star\tilde{m} \in \Omega^0(\mathcal{L})$ . The velocity  $u \in \Gamma(T\mathcal{L})$  is naturally expressed as a vector field on  $\mathcal{L}$ , as an integral curve of  $u$  describes the trajectory of a fluid particle. A force  $\xi \in \Gamma(T^*\mathcal{L})$  acting on the fluid is understood as a covector field on  $\mathcal{L}$ , such that the associated mechanical power is given by the duality pairing of force and velocity  $\langle \xi | u \rangle$ . According to Newton's second law, the time derivative of the momentum  $p$  is equal to the force  $\xi$  acting on the fluid, i.e.  $\dot{p} = \xi$ . Hence, we also have  $p \in \Gamma(T^*\mathcal{L})$ .

The specific momentum  $v$  is then given by the covector field  $v = p/\star\tilde{m} \in \Gamma(T^*\mathcal{Z}) \cong \Omega^1(\mathcal{Z})$ . It holds that  $u = v^\sharp$ .

We want to mention that momentum and forces can also be modeled as  $T^*\mathcal{Z}$ -valued twisted 3-forms. Applying the Hodge star to the form part of the momentum then gives the specific momentum as a  $T^*\mathcal{Z}$ -valued 0-form. Although this better reflects the geometric nature of these quantities, we avoid bundle-valued forms, as they add complexity, especially in terms of the notation. However, to model shear viscosity in Section IV, we need to use this more involved formalism.

The storage component  $(I_{ke}, E_{ke})$  filling box ke is defined by its interface  $I_{ke} = (\{p_s, m\}, \tau_{ke})$  with

$$\begin{aligned}\tau_{ke}(p_s) &= ((\Omega^1(\mathcal{Z}), \text{specific\_momentum}), k) \\ \tau_{ke}(m) &= ((\tilde{\Omega}^3(\mathcal{Z}), \text{mass}), k)\end{aligned}$$

and its energy function  $E_{ke}: \Omega^1(\mathcal{Z}) \times \tilde{\Omega}^3(\mathcal{Z}) \rightarrow \mathbb{R}$  given by

$$\begin{aligned}E_{ke}(v, \tilde{m}) &= \int_{\mathcal{Z}} \frac{1}{2} \cdot \tilde{m} \cdot g(v^\sharp, v^\sharp) = \int_{\mathcal{Z}} \frac{1}{2} \cdot \tilde{m} \cdot \iota_{v^\sharp} v \\ &\stackrel{(A4)}{=} \int_{\mathcal{Z}} \frac{1}{2} \cdot \tilde{m} \cdot \star(v \wedge \star v) = \int_{\mathcal{Z}} \frac{1}{2} \cdot \star\tilde{m} \cdot (v \wedge \star v),\end{aligned}$$

where  $v = p_s \cdot x$  and  $\tilde{m} = m \cdot x$ .

The effort variables are defined as the (partial) functional derivatives of the exergy storage function  $H_{ke} = E_{ke}$ . For instance,  $p_s \cdot e = \delta_v H_{ke}$  is defined by

$$H_{ke}(v + \varepsilon \cdot \delta v, \tilde{m}) = H_{ke}(v, \tilde{m}) + \varepsilon \cdot \int_{\mathcal{Z}} \delta_v H_{ke} \wedge \delta v + \mathcal{O}(\varepsilon^2)$$

for  $\varepsilon \rightarrow 0$  and any  $\delta v \in \Omega^1(\mathcal{Z})$ . The flow and effort variables are hence given by

$$p_s \cdot f = \dot{v} \in \Omega^1(\mathcal{Z}) \quad (9a)$$

$$p_s \cdot e = \star\tilde{m} \cdot \star v \in \tilde{\Omega}^2(\mathcal{Z}) \quad (9b)$$

$$m \cdot f = \dot{\tilde{m}} \in \tilde{\Omega}^3(\mathcal{Z}) \quad (9c)$$

$$m \cdot e = \star(v \wedge \star v)/2 \in \Omega^0(\mathcal{Z}). \quad (9d)$$

The stored power is consequently given by

$$\dot{E}_{ke} = \int_{\mathcal{Z}} (p_s \cdot e \wedge p_s \cdot f + m \cdot e \wedge m \cdot f).$$

## 2. Transformation btw momentum and specific momentum

The reversible component filling box pps transforms between momentum density at port p and specific momentum at port  $p_s$ . Specifically, it relates the flow variable  $p \cdot f \in \Omega^1(\mathcal{Z})$  representing an external force acting on the fluid to the flow variable  $p_s \cdot f \in \Omega^1(\mathcal{Z})$  representing the same force given per unit of mass, and dually, it relates the effort variable  $p_s \cdot e = \star\tilde{m} \cdot \star v \in \tilde{\Omega}^2(\mathcal{Z})$  representing the mass flux to the effort variable  $p \cdot e = \star v \in \tilde{\Omega}^2(\mathcal{Z})$  representing the volume flux (fluid velocity *through* area).

The reversible component  $(I_{pps}, \mathcal{D}_{pps})$  filling box pps is defined by its interface  $I_{pps} = (\{p_s, p, m\}, \tau_{pps})$  with

$$\begin{aligned}\tau_{pps}(p_s) &= ((\Omega^1(\mathcal{Z}), \text{specific\_momentum}), k) \\ \tau_{pps}(p) &= ((\Omega^1(\mathcal{Z}), \text{momentum}), k) \\ \tau_{pps}(m) &= ((\tilde{\Omega}^3(\mathcal{Z}), \text{mass}), k)\end{aligned}$$

and its Dirac structure  $\mathcal{D}_{pps}$  given by

$$\begin{bmatrix} p_s \cdot f \\ p \cdot e \end{bmatrix} = \begin{bmatrix} 0 & -1/\star\tilde{m} \\ 1/\star\tilde{m} & 0 \end{bmatrix} \begin{bmatrix} p_s \cdot e \\ p \cdot f \end{bmatrix}, \quad (10)$$

where  $\tilde{m} = m \cdot x$ .

Due to the skew-symmetry of the matrix in Eq. (10), the net power at the component vanishes, i.e.

$$\int_{\mathcal{Z}} (p_s \cdot e \wedge p_s \cdot f + p \cdot e \wedge p \cdot f) dz = 0.$$

## 3. Self-advection of kinetic energy

The reversible component filling box sa models the self-advection of kinetic energy. It encapsulates a generalization of the well-known Lie-Poisson structure for ideal fluids that includes boundary ports, see e.g. 12.

The reversible component  $(I_{sa}, \mathcal{D}_{sa})$  filling box sa is defined by its interface  $I_{sa} = (\{p_s, m, b_k\}, \tau_{sa})$  with

$$\begin{aligned}\tau_{sa}(p_s) &= ((\Omega^1(\mathcal{Z}), \text{specific\_momentum}), k) \\ \tau_{sa}(m) &= ((\tilde{\Omega}^3(\mathcal{Z}), \text{mass}), k)\end{aligned}$$

and the Stokes-Dirac structure  $\mathcal{D}_{sa}$  given by

$$\begin{bmatrix} p_s \cdot f \\ m \cdot f \end{bmatrix} = \begin{bmatrix} S(\_) & d(\_) \\ d(\_) & 0 \end{bmatrix} \begin{bmatrix} p_s \cdot e \\ m \cdot e \end{bmatrix} \quad (11a)$$

$$\begin{bmatrix} b_k \cdot f \\ b_k \cdot e \end{bmatrix} = \begin{bmatrix} -i^*(\_) & 0 \\ 0 & i^*(\_) \end{bmatrix} \begin{bmatrix} p_s \cdot e \\ m \cdot e \end{bmatrix}, \quad (11b)$$

where

$$S(\_) = \frac{1}{\star\tilde{m}} \cdot \iota_{(\sharp \circ \star)(\_) } d v \stackrel{(A4)}{=} -\frac{1}{\star\tilde{m}} \cdot \star(\star(\_) \wedge \star d v)$$

and  $i^*$  denotes the pullback along the inclusion  $i: \partial\mathcal{Z} \rightarrow \mathcal{Z}$ .

The name Stokes-Dirac structure refers to the fact that Stokes theorem, see Eq. (A3), is used to define the boundary ports in Eq. (11b) such that the formally skew-symmetric operator matrix in Eq. (11a) defines a power-preserving relation among all port variables:

$$\begin{aligned}\int_{\mathcal{Z}} (p_s \cdot e \wedge p_s \cdot f + m \cdot e \wedge m \cdot f) &= \\ \int_{\mathcal{Z}} p_s \cdot e \wedge \left( -\frac{1}{\star\tilde{m}} \cdot \star(\star(p_s \cdot e) \wedge \star d v) \right) &+ \\ \int_{\mathcal{Z}} (p_s \cdot e \wedge d(m \cdot e) + m \cdot e \wedge d(p_s \cdot e)) &= \\ \int_{\mathcal{Z}} d(p_s \cdot e \wedge m \cdot e) = \int_{\partial\mathcal{Z}} i^*(p_s \cdot e \wedge m \cdot e) &= \\ \int_{\partial\mathcal{Z}} i^*(p_s \cdot e) \wedge i^*(m \cdot e) = - \int_{\partial\mathcal{Z}} b_k \cdot e \wedge b_k \cdot f &.\end{aligned}$$



The term related to  $S$  on the second line vanishes since

$$\mathbf{p}_s \cdot \mathbf{e} \wedge \star(\star(\mathbf{p}_s \cdot \mathbf{e}) \wedge \star d\mathbf{v}) = \star(\mathbf{p}_s \cdot \mathbf{e}) \wedge \star(\mathbf{p}_s \cdot \mathbf{e}) \wedge \star d\mathbf{v} = 0.$$

#### 4. Interconnected kinetic energy system

Combining Eqs. (9) to (11) with the equations for the interconnection pattern in Fig. 5 and eliminating port variables gives the following equations for the composite system:

$$\dot{\mathbf{v}} = \star(\mathbf{v} \wedge \star d\mathbf{v}) - d(\star(\mathbf{v} \wedge \star \mathbf{v})/2) + \frac{1}{\star \tilde{m}} \cdot \mathbf{f} \cdot \mathbf{p} \cdot \mathbf{f} \quad (12a)$$

$$\dot{\tilde{m}} = -d(\star \tilde{m} \cdot \star \mathbf{v}) \quad (12b)$$

$$\mathbf{f} \cdot \mathbf{p} \cdot \mathbf{e} = \star \mathbf{v} \quad (12c)$$

$$\mathbf{b}_k \cdot \mathbf{f} = -i^*(\star \tilde{m} \cdot \star \mathbf{v}) \quad (12d)$$

$$\mathbf{b}_k \cdot \mathbf{e} = i^*(\star(\mathbf{v} \wedge \star \mathbf{v})/2). \quad (12e)$$

The term  $d(\star \tilde{m} \cdot \star \mathbf{v})$  is equal to the Lie derivative  $\mathcal{L}_u \tilde{m}$ , since  $\tilde{m}$  is advected by the flow of the time-dependent vector field  $u = \mathbf{v}^\sharp$ . The flow variable  $\mathbf{f} \cdot \mathbf{p} \cdot \mathbf{f}$  represents an external force acting on the fluid particles and the effort variable  $\mathbf{f} \cdot \mathbf{p} \cdot \mathbf{e}$  is the velocity (or volume flux through a surface). The flow variable  $\mathbf{b}_k \cdot \mathbf{f}$  is the incoming mass flux through  $\partial \mathcal{Z}$  and the effort variable  $\mathbf{b}_k \cdot \mathbf{e}$  is the kinetic energy per unit of mass.

## B. Internal Energy System

The internal energy system is defined by the interconnection pattern shown in Fig. 6, together with a storage component filling box **ie** that models storage of internal energy and a reversible component filling box **adv** that models advection of internal energy.

Next, we discuss the two primitive systems filling the inner boxes of the pattern in Fig. 6 and then we collect the equations that define the semantics of the composite system.

### 1. Storage of internal energy

The entropy of the fluid reflects incomplete information about its state at more microscopic scales, which are not resolved by the macroscopic model. Based on the assumption of local equilibrium, thermodynamic properties of the fluid are defined by a potential  $U: \mathbb{R} \times \mathbb{R} \rightarrow \mathbb{R}$ , which yields the internal energy density  $U(\star \tilde{s}, \star \tilde{m})$  as a function of the entropy density  $\star \tilde{s}$  and the mass density  $\star \tilde{m}$ . Specifically, the intensive quantities temperature  $\theta$ , chemical potential  $\mu$ , and pressure  $\pi$  are given pointwise throughout  $\mathcal{Z}$  by

$$\theta = \frac{\partial U(\star \tilde{s}, \star \tilde{m})}{\partial(\star \tilde{s})} \quad (13a)$$

$$\mu = \frac{\partial U(\star \tilde{s}, \star \tilde{m})}{\partial(\star \tilde{m})} \quad (13b)$$

$$\pi = \theta \cdot \star \tilde{s} + \mu \cdot \star \tilde{m} - U(\star \tilde{s}, \star \tilde{m}). \quad (13c)$$

int (internal energy system)

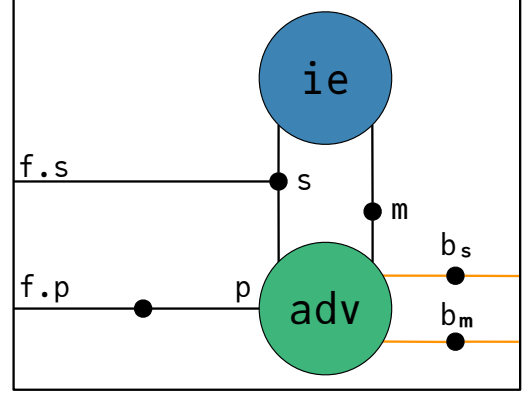


FIG. 6. Interconnection pattern of the internal energy system. Box **ie** represents storage of internal energy, which is exchanged in terms of entropy via port **ie.s** and mass via port **ie.m**. Box **adv** represents advection of internal energy and the boundary ports  $\mathbf{b}_s$  and  $\mathbf{b}_m$  account for advection across  $\partial \mathcal{Z}$ . The outer ports **f.s** and **f.p** respectively allow for exchange of thermal and kinetic energy with other systems on the same domain  $\mathcal{Z}$ .

The last equation follows from a similar argument as given for the barotropic case in Section II.

The storage component  $(I_{ie}, E_{ie})$  filling box **ie** is defined by its interface  $I_{ie} = (\{s, m\}, \tau_{ie})$  with

$$\tau_{ie}(s) = ((\tilde{\Omega}^3(\mathcal{Z}), \text{entropy}), i)$$

$$\tau_{ie}(m) = ((\tilde{\Omega}^3(\mathcal{Z}), \text{mass}), i)$$

and its energy function  $E_{ie}: \mathbb{R} \rightarrow \mathbb{R}$  given by

$$E_{ie}(\tilde{s}, \tilde{m}) = \int_{\mathcal{Z}} \star U(\star \tilde{s}, \star \tilde{m}),$$

where  $\tilde{s} = \mathbf{s} \cdot \mathbf{x}$  and  $\tilde{m} = \mathbf{m} \cdot \mathbf{x}$ .

With  $\theta_0$  and  $\mu_0$  denoting the temperature and chemical potential of the fixed reference environment, the exergy storage function is, modulo an added constant, given by

$$H_{ie}(\tilde{s}, \tilde{m}) = \int_{\mathcal{Z}} (\star U(\star \tilde{s}, \star \tilde{m}) - \theta_0 \cdot \tilde{s} - \mu_0 \cdot \tilde{m}). \quad (14)$$

The flow and effort variables are thus given by

$$\mathbf{s} \cdot \mathbf{f} = \dot{\tilde{s}} \quad (15a)$$

$$\mathbf{s} \cdot \mathbf{e} = \theta - \theta_0 \quad (15b)$$

$$\mathbf{m} \cdot \mathbf{f} = \dot{\tilde{m}} \quad (15c)$$

$$\mathbf{m} \cdot \mathbf{e} = \mu - \mu_0. \quad (15d)$$

### 2. Advection of internal energy

The reversible component filling box **adv** models advection of internal energy. The effort variable **adv.p.e** provides the

fluid velocity from the kinetic energy system, which appears in the Lie derivative of entropy and mass. The flow variable  $\text{adv.p.f}$  is the force resulting from local variations in pressure.

The reversible component  $(I_{\text{adv}}, \mathcal{D}_{\text{adv}})$  filling box  $\text{adv}$  is defined by its interface  $I_{\text{adv}} = (\{p, s, m, b_s, b_m\}, \tau_{\text{adv}})$  with

$$\tau_{\text{adv}}(p) = ((\Omega^1(\mathcal{L}), \text{momentum}), k)$$

$$\tau_{\text{adv}}(s) = ((\tilde{\Omega}^3(\mathcal{L}), \text{entropy}), i)$$

$$\tau_{\text{adv}}(m) = ((\tilde{\Omega}^3(\mathcal{L}), \text{mass}), i)$$

and its Stokes-Dirac structure  $\mathcal{D}_{\text{adv}}$  given by

$$\begin{bmatrix} p.f \\ s.f \\ m.f \end{bmatrix} = \begin{bmatrix} 0 & \star\tilde{s} \cdot d(\_) & \star\tilde{m} \cdot d(\_) \\ d(\star\tilde{s} \cdot \_) & 0 & 0 \\ d(\star\tilde{m} \cdot \_) & 0 & 0 \end{bmatrix} \begin{bmatrix} p.e \\ s.e \\ m.e \end{bmatrix} \quad (16a)$$

$$\begin{bmatrix} b_{s.f} \\ b_{s.e} \\ b_{m.f} \\ b_{m.e} \end{bmatrix} = \begin{bmatrix} -i^*(\star\tilde{s} \cdot \_) & 0 & 0 \\ 0 & i^*(\_) & 0 \\ -i^*(\star\tilde{m} \cdot \_) & 0 & 0 \\ 0 & 0 & i^*(\_) \end{bmatrix} \begin{bmatrix} p.e \\ s.e \\ m.e \end{bmatrix}, \quad (16b)$$

where  $\tilde{s} = s.x$  and  $\tilde{m} = m.x$ .

With the boundary ports defined in Eq. (16b), the formally skew-symmetric operator matrix in Eq. (16a) defines a power-preserving relation among the port variables:

$$\begin{aligned} & \int_{\mathcal{L}} (p.e \wedge p.f + s.e \wedge s.f + m.e \wedge m.f) = \\ & \int_{\mathcal{L}} (\star\tilde{s} \cdot p.e \wedge d(s.e) + \star\tilde{m} \cdot p.e \wedge d(m.e) + \\ & \quad s.e \wedge d(\star\tilde{s} \cdot p.e) + m.e \wedge d(\star\tilde{m} \cdot p.e)) = \\ & \int_{\mathcal{L}} (d(s.e \wedge (\star\tilde{s} \cdot p.e)) + d(m.e \wedge (\star\tilde{m} \cdot p.e))) = \\ & \int_{\partial\mathcal{L}} (i^*(s.e) \wedge i^*(\star\tilde{s} \cdot p.e) + i^*(m.e) \wedge i^*(\star\tilde{m} \cdot p.e)) = \\ & - \int_{\partial\mathcal{L}} (b_{s.e} \wedge b_{s.f} + b_{m.e} \wedge b_{m.f}). \end{aligned}$$

It can easily be verified that Eq. (16a) satisfies the conditions for conservation of entropy and mass, as  $d(\theta_0) = d(\mu_0) = 0$ , see 1.

### 3. Interconnected internal energy system

Combining Eqs. (15) and (16) with the equations for the interconnection pattern in Fig. 6 and eliminating port variables

gives the following equations for the composite system:

$$\dot{\tilde{s}} = -d(\star\tilde{s} \cdot f.p.e) + f.s.f \quad (17a)$$

$$\dot{\tilde{m}} = -d(\star\tilde{m} \cdot f.p.e) \quad (17b)$$

$$f.p.f = d\pi \quad (17c)$$

$$f.s.e = \theta - \theta_0 \quad (17d)$$

$$b_{s.f} = -i^*(\star\tilde{s} \cdot f.p.e) \quad (17e)$$

$$b_{s.e} = i^*(\theta - \theta_0) \quad (17f)$$

$$b_{m.f} = -i^*(\star\tilde{m} \cdot f.p.e) \quad (17g)$$

$$b_{m.e} = i^*(\mu - \mu_0). \quad (17h)$$

When interconnecting this model with the kinetic energy system, we have  $f.p.e = \star v$ . Hence, Eqs. (17a) and (17b) contain the Lie derivatives  $\mathcal{L}_v \tilde{s} = d(\star\tilde{s} \cdot \star v)$  and  $\mathcal{L}_v \tilde{m} = d(\star\tilde{m} \cdot \star v)$ , since  $\tilde{s}$  and  $\tilde{m}$  are advected by the flow of the time-dependent vector field  $u = v^\sharp$ . Equation (17c) follows from

$$\begin{aligned} d\pi & \stackrel{(13c)}{=} \star\tilde{s} \cdot d\theta + \theta \cdot d\star\tilde{s} + \star\tilde{m} \cdot d\mu + \mu \cdot d\star\tilde{m} \\ & \quad - \frac{\partial U(\star\tilde{s}, \star\tilde{m})}{\partial(\star\tilde{s})} \cdot d\star\tilde{s} - \frac{\partial U(\star\tilde{s}, \star\tilde{m})}{\partial(\star\tilde{m})} \cdot d\star\tilde{m} \\ & = \star\tilde{s} \cdot d\theta + \star\tilde{m} \cdot d\mu. \end{aligned}$$

The flow variable  $f.s.f$  represents an external entropy source term and the effort variable  $f.s.e$  is the temperature (relative to the reference environment). The flow variable  $b_{s.f}$  is the entropy influx across  $\partial\mathcal{L}$  and the effort variable  $b_{s.e}$  is the temperature at the boundary (relative to the environment). Similarly, the flow variable  $b_{m.f}$  is the mass influx across  $\partial\mathcal{L}$  and the effort variable  $b_{m.e}$  is the chemical potential at the boundary (relative to the environment).

### C. Interconnected ideal fluid model

Combining Eqs. (12) and (17) with the equations for the interconnection pattern in Fig. 2 and eliminating port variables gives the following system of equations on  $\mathcal{L}$ :

$$\dot{v} = +\star(v \wedge \star dv) - d(\star(v \wedge \star v)/2) - \frac{1}{\star\tilde{m}} \cdot d\pi + \frac{1}{\star\tilde{m}} \cdot f.p.f \quad (18a)$$

$$\dot{\tilde{m}} = -d(\star\tilde{m} \cdot \star v) \quad (18b)$$

$$\dot{\tilde{s}} = -d(\star\tilde{s} \cdot \star v) + f.s.f \quad (18c)$$

$$f.p.e = \star v \quad (18d)$$

$$f.s.e = \theta - \theta_0. \quad (18e)$$

Moreover, the boundary conditions  $\text{kin.b}_k.f = \text{int.b}_m.f = -i^*(\star\tilde{m} \cdot \star v) = 0$  and  $\text{int.b}_s.f = -i^*(\star\tilde{s} \cdot \star v) = 0$  are implied.

## IV. NAVIER-STOKES-FOURIER FLUID MODEL

In this section, we extend the ideal fluid model to a Navier-Stokes-Fourier (NSF) model, which takes into account

thermal conduction, volume viscosity, and shear viscosity, see Fig. 7. The simplified graphical representation of the interconnection pattern using the multiport  $\mathbf{f}$  hides the fact that the NSF model has the same outer interface as the ideal fluid model. The interface has a power port  $\mathbf{f.p}$  to exchange momentum and kinetic energy, a power port  $\mathbf{f.s}$  to exchange entropy and thermal energy and a state port  $\mathbf{f.m}$  to share information about mass.

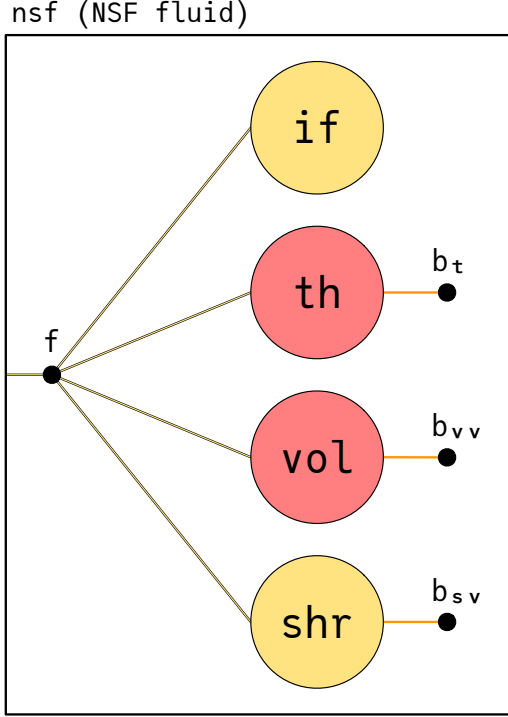


FIG. 7. Interconnection pattern of the Navier-Stokes-Fourier model. Box  $\mathbf{if}$  represents the ideal fluid model from Section III. Box  $\mathbf{th}$  represents thermal conduction. Boxes  $\mathbf{vol}$  and  $\mathbf{shr}$  represent volume and shear viscosity, respectively. The boundary ports  $\mathbf{b}_t$ ,  $\mathbf{b}_{vv}$  and  $\mathbf{b}_{sv}$ , which account for thermal conduction and viscous transfer of momentum across  $\partial\mathcal{Z}$  are not exposed, leading to an isolated model.

Next, we discuss the three additional systems and then we collect the equations for the composite system.

### A. Thermal conduction

Thermal conduction is a relaxation process that counteracts a non-uniform temperature  $\theta \in \Omega^0(\mathcal{Z})$  with a diffusive heat flux  $\tilde{\phi} \in \tilde{\Omega}^2(\mathcal{Z})$ . Considering this process separately, the first law states that the change of internal energy  $\dot{u} = \star U(\star\tilde{s}, \star\tilde{m}) \in \tilde{\Omega}^3(\mathcal{Z})$  is due to the heat flux  $\tilde{\phi}$  across the boundary  $\partial\mathcal{Z}$ , i.e.

$$\int_{\mathcal{Z}} \dot{u} = \int_{\partial\mathcal{Z}} i^*(-\tilde{\phi}) \stackrel{(A3)}{=} \int_{\mathcal{Z}} d(-\tilde{\phi}).$$

Concerning the minus sign, we note that  $\tilde{\phi}$  represents the outgoing heat flux. While this runs counter to the convention in thermodynamics, where incoming energy has a positive sign,

it aligns with the induced Stokes orientation on  $\partial\mathcal{Z}$ , which is defined based on an outward-pointing vector field. Since the same applies to any submanifold of  $\mathcal{Z}$  (control volume), the local energy balance equation  $\dot{u} = d(-\tilde{\phi})$  holds.

According to Fourier's law, the heat flux is proportional to the local change in temperature and goes from hot to cold. Specifically, it states that  $\tilde{\phi} = -\kappa_T \cdot \star d\theta$ , where the thermal conductivity parameter  $\kappa_T \geq 0$  is constant or a function of  $\theta$ .

Using the chain rule to expand the time derivative of  $\tilde{u}$  gives

$$\dot{u} = \frac{\partial U(\star\tilde{s}, \star\tilde{m})}{\partial(\star\tilde{s})} \cdot \dot{\tilde{s}} = \theta \cdot \dot{\tilde{s}}.$$

The rate of entropy change due to thermal conduction is hence given by

$$\dot{\tilde{s}} = \frac{1}{\theta} \cdot \dot{u} = \frac{1}{\theta} \cdot d(-\tilde{\phi}) = \frac{1}{\theta} \cdot d(\kappa_T \cdot \star d\theta). \quad (19)$$

This dynamics is encapsulated by the following component.

The irreversible component  $(I_{\mathbf{th}}, \mathcal{O}_{\mathbf{th}})$  filling box  $\mathbf{th}$  is defined by its interface  $I_{\mathbf{th}} = (\{\mathbf{f.s}, \mathbf{b}_t\}, \tau_{\mathbf{th}})$  with

$$\tau_{\mathbf{th}}(\mathbf{f.s}) = ((\tilde{\Omega}^3(\mathcal{Z}), \text{entropy}), i).$$

and the Stokes-Onsager structure  $\mathcal{O}_{\mathbf{th}}$  given by

$$[\mathbf{f.s.f}] = \left[ -\frac{1}{\theta} \cdot d \left( \star \left( \kappa_T \cdot \theta^2 \cdot \frac{1}{\theta_0} \cdot d \left( \frac{1}{\theta} \cdot - \right) \right) \right) \right] [\mathbf{f.s.e}] \quad (20a)$$

$$\mathbf{b}_t.f = i^* \left( \frac{1}{\theta} \cdot \star \left( \kappa_T \cdot \theta^2 \cdot \frac{1}{\theta_0} \cdot d \left( \frac{1}{\theta} \cdot \mathbf{f.s.e} \right) \right) \right) \quad (20b)$$

$$\mathbf{b}_t.e = i^*(\mathbf{f.s.e}),$$

where  $\theta = \theta_0 + \mathbf{f.s.e}$ .

Equation (20a) simplifies to  $\mathbf{f.s.f} = -\frac{1}{\theta} \cdot d(\kappa_T \cdot \star d\theta)$ , since  $\mathbf{f.s.e} = \theta - \theta_0$ , see also Eq. (18e), and  $d(\theta^{-1}) = -\theta^{-2} \cdot d\theta$ . Ignoring the advection term in Eq. (18c) and using balance of net flow gives  $\dot{\tilde{s}} = \mathbf{if.f.s.f} = -\mathbf{th.f.s.f} = \frac{1}{\theta} \cdot d(\kappa_T \cdot \star d\theta)$ , which agrees with Eq. (19). Moreover, the flow variable  $\mathbf{b}_t.f = i^*(\frac{1}{\theta} \cdot (-\tilde{\phi})) = i^*(\frac{1}{\theta} \cdot \kappa_T \cdot \star d\theta)$  is the entropy influx across  $\partial\mathcal{Z}$  and the corresponding effort variable  $\mathbf{b}_t.e = i^*(\theta - \theta_0)$  is the temperature at the boundary (relative to the environment).

According to 1, an Onsager structure is a relation among flow variables  $f$  and effort variables  $e$  that is of the form  $f = \frac{1}{\theta_0} \cdot M(e)e$ , where  $M$  is a smooth function that yields, for each value of the effort variable  $e$ , a symmetric non-negative definite linear operator  $M(e)$ . Onsager reciprocal relations hold due to the symmetry. The second law holds due to the non-negative definiteness. The first law is ensured through the kernel of  $M(e)$  for each  $e$ . Specifically, conservation of energy requires that  $M(e)e' = 0$ , where  $e'$  is  $e$  without any shifts by the constant intensive properties of the reference environment.

For spatially-distributed systems, the symmetry of  $M(e)$  is made apparent by applying integration by parts to obtain a weak form, where the boundary conditions are implicit. Rather than stating the weak form in terms of an arbitrary test

function  $\psi \in \Omega^0(\mathcal{Z})$ , we fix  $\psi = \text{f.s.e}$ , which directly leads to the following power balance equation:

$$\begin{aligned} & \int_{\mathcal{Z}} \text{f.s.e} \wedge \text{f.s.f} + \int_{\partial\mathcal{Z}} \text{b}_{\tau} \cdot \text{e} \wedge \text{b}_{\tau} \cdot \text{f} = \\ & \theta_0 \cdot \int_{\mathcal{Z}} \frac{1}{\theta} \cdot \text{d} \left( \frac{1}{\theta} \cdot \text{f.s.e} \right) \wedge \star \left( \kappa_{\tau} \cdot \theta^2 \cdot \frac{1}{\theta_0} \cdot \text{d} \left( \frac{1}{\theta} \cdot \text{f.s.e} \right) \right) = \\ & \theta_0 \int_{\mathcal{Z}} \frac{1}{\theta^2} \cdot \text{d}\theta \wedge \star(\kappa_{\tau} \cdot \text{d}\theta) \geq 0 \end{aligned}$$

We can identify the term  $\frac{1}{\theta_0} \cdot \text{d} \left( \frac{1}{\theta} \cdot \text{f.s.e} \right) = -\text{d} \left( \frac{1}{\theta} \right)$  as the *thermodynamic force* driving the irreversible process. The map  $\star(\kappa_{\tau} \cdot \theta^2 \cdot \_)$  turns this into the *thermodynamic flux*  $-\tilde{\phi}$ . The integrand is hence given by the product of force and flux, which gives the local entropy production rate. Multiplying the integral with the leading factor  $\theta_0$  gives the total exergy destruction rate due to thermal conduction. Both are non-negative due to the symmetry and non-negative definiteness. The condition ensuring conservation of energy applies only to the bulk part of the strong form in Eq. (20a), see also 21. With  $e = \text{f.s.e} = \theta - \theta_0$  and  $e' = \theta$ , the condition is satisfied since  $\text{d} \left( \frac{1}{\theta} \cdot e' \right) = \text{d}(1) = 0$ .

## B. Volume viscosity

When an ideal fluid contracts, kinetic energy is reversibly transformed into internal energy, and vice versa for expansion. Volume viscosity is a relaxation process that counteracts local changes in volume with a pressure-like quantity, which in particular leads to a damping of acoustic waves.

The Riemannian volume form  $\star 1 \in \tilde{\Omega}^3(\mathcal{Z})$  is the natural measure for volume. Its Lie derivative  $\mathcal{L}_u(\star 1)$  gives the rate of volume change for a fluid element moving with the flow. We have

$$\mathcal{L}_u(\star 1) = \text{d}(i_{u^{\sharp}}(\star 1)) = \text{d}(\star(v \wedge \star \star 1)) = \text{d}\star v.$$

Its Hodge dual  $\star \text{d}\star v \in \Omega^0(\mathcal{Z})$  is equal to the divergence of the velocity vector field  $u$ .

The pressure-like quantity that counteracts local changes in volume is modeled as the divergence of the velocity multiplied by a volume viscosity coefficient  $\mu_v \geq 0$ , which may depend on velocity and temperature. Consequently, the rate at which kinetic energy is dissipated into heat is given by the product of the pressure-like quantity  $\mu_v \cdot \star \text{d}\star v \in \Omega^0(\mathcal{Z})$  and the rate of volume change  $\text{d}\star v \in \tilde{\Omega}^3(\mathcal{Z})$ . The entropy production rate is thus given by  $\frac{1}{\theta} \cdot \mu_v \cdot (\star \text{d}\star v) \cdot (\text{d}\star v)$ . The irreversible process is encapsulated by the following component.

The irreversible component  $(I_{\text{vol}}, \mathcal{O}_{\text{vol}})$  filling box `vol` is defined by its interface  $I_{\text{vol}} = (\{\text{f.p}, \text{f.s}, \text{b}_{\text{vv}}\}, \tau_{\text{vol}})$  with

$$\begin{aligned} \tau_{\text{vol}}(\text{f.p}) &= ((\Omega^1(\mathcal{Z}), \text{momentum}), \text{p}) \\ \tau_{\text{vol}}(\text{f.s}) &= ((\tilde{\Omega}^3(\mathcal{Z}), \text{entropy}), \text{i}) \end{aligned}$$

and the Stokes-Onsager structure  $\mathcal{O}_{\text{vol}}$  given by

$$\begin{aligned} \begin{bmatrix} \text{f.p.f} \\ \text{f.s.f} \end{bmatrix} &= \frac{1}{\theta_0} \cdot \begin{bmatrix} A(\_) & B(\_) \\ C(\_) & D(\_) \end{bmatrix} \begin{bmatrix} \text{f.p.e} \\ \text{f.s.e} \end{bmatrix} \\ A(\_) &= -\text{d}(\mu_v \cdot \star \text{d}(\_) \cdot \theta) \\ B(\_) &= +\text{d}(\mu_v \cdot (\star \text{d}\star v) \cdot (\_)) \\ C(\_) &= -\mu_v \cdot \star \text{d}(\_) \cdot (\text{d}\star v) \\ D(\_) &= +\frac{1}{\theta} \cdot \mu_v \cdot (\star \text{d}\star v) \cdot (\text{d}\star v) \cdot (\_) \end{aligned} \quad (21a)$$

$$\begin{aligned} \text{b}_{\text{vv}} \cdot \text{f} &= -i^*(\text{f.p.e}) \\ \text{b}_{\text{vv}} \cdot \text{e} &= -\frac{1}{\theta_0} \cdot i^*(\mu_v \cdot \star \text{d}(\text{f.p.e}) \cdot \theta - \mu_v \cdot (\star \text{d}\star v) \cdot \text{f.s.e}), \end{aligned} \quad (21b)$$

where  $\star v = \text{f.p.e}$  and  $\theta = \theta_0 + \text{f.s.e}$ .

Simplification of Eq. (21a) yields the viscous force  $-\text{f.p.f} = \text{d}(\mu_v \cdot \star \text{d}\star v)$  and the entropy production rate  $-\text{f.s.f} = \frac{1}{\theta} \cdot \mu_v \cdot (\star \text{d}\star v) \cdot \text{d}\star v$ . Moreover, the flow variable  $\text{b}_{\text{vv}} \cdot \text{f} = -i^*(\star v)$  is the volume influx across  $\partial\mathcal{Z}$  and the effort variable  $\text{b}_{\text{vv}} \cdot \text{e} = i^*(\mu_v \cdot (\star \text{d}\star v))$  is the pressure-like quantity at the boundary.

To show that Eq. (21) defines a non-negative definite symmetric operator, we again apply integration by parts to obtain a weak form with implicit boundary conditions. Letting the test functions be equal to the effort variables `f.p.e` and `f.s.e` gives the following power balance equation:

$$\begin{aligned} & \int_{\mathcal{Z}} (\text{f.p.e} \wedge \text{f.p.f} + \text{f.s.e} \wedge \text{f.s.f}) + \int_{\partial\mathcal{Z}} \text{b}_{\text{vv}} \cdot \text{e} \wedge \text{b}_{\text{vv}} \cdot \text{f} = \\ & \frac{1}{\theta_0} \cdot \int_{\mathcal{Z}} \left[ +\text{d}(\text{f.p.e}) \wedge \left( \mu_v \cdot \star \text{d}(\text{f.p.e}) \cdot \theta \right) \right. \\ & \quad - \text{d}(\text{f.p.e}) \wedge \left( \mu_v \cdot (\star \text{d}\star v) \cdot \text{f.s.e} \right) \\ & \quad - \text{f.s.e} \wedge \left( \mu_v \cdot \star \text{d}(\text{f.p.e}) \cdot (\text{d}\star v) \right) \\ & \quad \left. + \text{f.s.e} \wedge \left( \frac{1}{\theta} \cdot \mu_v \cdot (\star \text{d}\star v) \cdot (\text{d}\star v) \cdot \text{f.s.e} \right) \right] = \\ & \theta_0 \cdot \int_{\mathcal{Z}} \frac{1}{\theta} \cdot \mu_v \cdot (\star \text{d}\star v) \cdot \text{d}\star v \geq 0. \end{aligned}$$

Again, the integrand is equal to the local entropy production rate and multiplying the integral with the leading factor  $\theta_0$  gives the total exergy destruction rate due to volume viscosity.

Equation (21a) satisfies the condition for conservation of energy because  $A(\star v) + B(\theta) = 0$  and  $B(\star v) + D(\theta) = 0$ , where  $\star v = \text{f.p.e}$  and  $\theta = \theta_0 + \text{f.s.e}$ .

## C. Shear viscosity

Here, we model an irreversible process that counteracts general deformations of the fluid. As this includes expansion and contraction, there is overlap with the model for volume viscosity. Assuming that  $(\mathcal{Z}, g)$  is Euclidian, the viscous stress tensor can be split into an isotropic part corresponding to volume viscosity and a deviatoric part corresponding to pure shear stress. As we do not know how to express this

splitting within the coordinate-invariant framework, we carry on, acknowledging that the presented shear viscosity model essentially adds more volume viscosity.

The covariant derivative, denoted by  $\nabla$ , is used to determine local changes in the velocity field  $u = v^\sharp \in \Gamma(\mathcal{T}\mathcal{Z})$ . Pairing the second leg of the ‘velocity gradient tensor’ field  $\nabla u \in \Gamma(\mathcal{T}\mathcal{Z}) \otimes \Omega^1(\mathcal{Z})$  with a vector (field) gives the change of the velocity field in the direction of the given vector (field).

The stress state due to shear viscosity is described by the *viscous stress tensor* field

$$T = \mu_s \cdot \star_2 \left( \text{sym}(b_1(\nabla u)) \right) \in \Gamma(\mathcal{T}^*\mathcal{Z}) \otimes \tilde{\Omega}^2(\mathcal{Z}).$$

The flat map  $b_1$  acts on the first leg of the  $\mathcal{T}\mathcal{Z}$ -valued 1-form  $\nabla u$ , turning it into a  $\mathcal{T}^*\mathcal{Z}$ -valued 1-form. The two legs of  $b_1(\nabla u) \in \Omega^1(\mathcal{Z}) \otimes \Omega^1(\mathcal{Z})$  are then symmetrized such that the stress state described by  $T$  does not cause fluid elements to spin, as required for conservation of angular momentum. The ‘strain rate tensor’ field  $\text{sym}(b_1(\nabla u))$  is equal to  $\frac{1}{2} \cdot \mathcal{L}_u g$ , see 22. The Lie derivative of the metric  $g$  provides a natural measure for deformation induced by the flow of  $u$ . The Hodge star  $\star_2$  acts on the second leg of the strain rate tensor, yielding a  $\mathcal{T}^*\mathcal{Z}$ -valued twisted 2-form. Multiplication with a shear viscosity coefficient  $\mu_s \geq 0$ , which may depend on velocity and temperature, finally gives the stress tensor. Its first leg represents the traction force acting across an oriented surface element that is given by a 2-vector paired with the second leg. Moreover, pairing the first leg of  $T$  with the velocity field  $u$  leaves a twisted 2-form that can be integrated over a surface  $S$ , yielding the rate of work  $P$  done by the stress on  $S$ , see 23. Using the duality pairing for bundle-valued forms in Eq. (A5), we have  $P = \int_S u \wedge T$ .

The net force resulting from the viscous stress  $T$  is given by the exterior covariant derivative  $d_\nabla(T) \in \Omega^1(\mathcal{Z}) \otimes \tilde{\Omega}^3(\mathcal{Z})$ . The first leg represents the net force on a volume element that is given by a 3-vector paired with the second leg. The rate at which kinetic energy is dissipated into heat is given by  $\int_{\mathcal{Z}} \nabla u \wedge T$  and the local entropy production rate is hence given by  $\frac{1}{\theta} \cdot \nabla u \wedge T$ .

The interconnection pattern of the shear viscosity model is shown in Fig. 8. First, we discuss the reversible component that realizes the transformation between momentum given as a 1-form and it being given as a  $\mathcal{T}^*\mathcal{Z}$ -valued twisted 3-form. Then, we discuss the irreversible component that encapsulates the irreversible dynamics. Finally, we collect the equations for the composite system.

The reversible component ( $I_{\text{ppv}}, \mathcal{D}_{\text{ppv}}$ ) filling box ppv is defined by its interface  $I_{\text{ppv}} = (\{p, p_v\}, \tau_{\text{ppv}})$  with

$$\begin{aligned} \tau_{\text{ppv}}(p) &= ((\Omega^1(\mathcal{Z}), \text{momentum}), k) \\ \tau_{\text{ppv}}(p_v) &= ((\Gamma(\mathcal{T}^*\mathcal{Z}) \otimes \tilde{\Omega}^3(\mathcal{Z}), \text{momentum}), k) \end{aligned}$$

and its Dirac structure  $\mathcal{D}_{\text{ppv}}$  given by

$$\begin{bmatrix} p.f \\ p_v.e \end{bmatrix} = \begin{bmatrix} 0 & | & -\star_2(\_) \\ \sharp(\star(\_)) & | & 0 \end{bmatrix} \begin{bmatrix} p.e \\ p_v.f \end{bmatrix}. \quad (22)$$

To show that Eq. (22) defines a power-preserving relation, without loss of generality, let  $p.e = \star v$  and  $p_v.f = \alpha \otimes (\star 1)$

shr (shear viscosity)

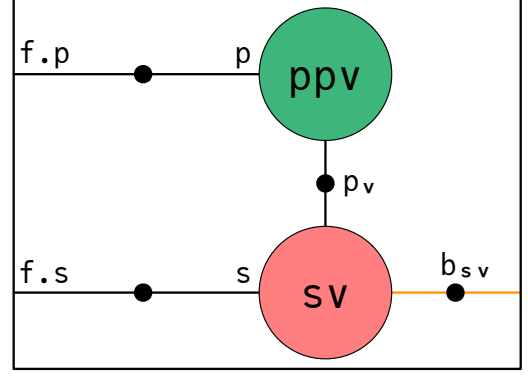


FIG. 8. Interconnection pattern of the shear viscosity model. The outer ports  $f.p$  and  $f.s$  represent the kinetic and the thermal energy domain of the fluid. Box  $sv$  represents the irreversible process of shear viscosity and the boundary port  $b_{sv}$  accounts for viscous transfer of momentum across  $\partial\mathcal{Z}$ . Box  $ppv$  represents the reversible transformation between the two different geometric representations of momentum.

for some  $v \in \Omega^1(\mathcal{Z})$  and  $\alpha \in \Gamma(\mathcal{T}^*\mathcal{Z})$ . We then have

$$\begin{aligned} \int_{\mathcal{Z}} p.e \wedge p.f + \int_{\mathcal{Z}} p_v.e \wedge p_v.f = \\ - \int_{\mathcal{Z}} \star v \wedge \alpha + \int_{\mathcal{Z}} v^\sharp \wedge \alpha \otimes (\star 1) = 0 \end{aligned}$$

because  $v^\sharp \wedge \alpha \otimes (\star 1) = \star \iota_{v^\sharp} \alpha \stackrel{(A4)}{=} v \wedge \star \alpha = \star v \wedge \alpha$ .

The irreversible component ( $I_{sv}, \mathcal{O}_{sv}$ ) filling box  $sv$  is defined by its interface  $I_{sv} = (\{p_v, s, b_{sv}\}, \tau_{sv})$  with

$$\begin{aligned} \tau_{sv}(p_v) &= ((\Gamma(\mathcal{T}^*\mathcal{Z}) \otimes \tilde{\Omega}^3(\mathcal{Z}), \text{momentum}), k) \\ \tau_{sv}(s) &= ((\tilde{\Omega}^3(\mathcal{Z}), \text{entropy}), i) \end{aligned}$$

and the Stokes-Onsager structure  $\mathcal{O}_{sv}$  given by

$$\begin{aligned} \begin{bmatrix} p_v.f \\ s.f \end{bmatrix} &= \frac{1}{\theta_0} \cdot \begin{bmatrix} A(\_) & B(\_) \\ C(\_) & D(\_) \end{bmatrix} \begin{bmatrix} p_v.e \\ s.e \end{bmatrix} \\ A(\_) &= -d_\nabla(\mu_s \cdot \star_2(\text{sym}(b_1(\nabla(\_)))) \cdot \theta) \\ B(\_) &= d_\nabla(\mu_s \cdot \star_2(\text{sym}(b_1(\nabla u))) \cdot (\_)) \\ C(\_) &= -\mu_s \cdot \nabla(\_) \wedge \star_2(\text{sym}(b_1(\nabla u))) \\ D(\_) &= \frac{1}{\theta} \cdot \mu_s \cdot \nabla u \wedge \star_2(\text{sym}(b_1(\nabla u))) \cdot (\_) \\ b_{sv}.f &= -i_2^*(p_v.e) \\ b_{sv}.e &= -\frac{1}{\theta_0} i_2^*(\mu_s \cdot \star_2(\text{sym}(b_1(\nabla(p_v.e)))) \cdot \theta \\ &\quad - \mu_s \cdot \star_2(\text{sym}(b_1(\nabla u))) \cdot s.e) \end{aligned} \quad (23a)$$

where  $u = p_v.e$  and  $\theta = \theta_0 + s.e$ .

Simplification of Eq. (23a) yields the net viscous force  $-p_v.f = d_\nabla(T)$  as well as the entropy production rate  $-s.f = \frac{1}{\theta} \cdot \nabla u \wedge T$ . Further, the flow variable  $b_{sv}.f = -i_2^*(u) \in \Gamma(\mathcal{T}\mathcal{Z}) \otimes \Omega^0(\partial\mathcal{Z})$  is the velocity at the boundary expressed



as a 2-point tensor and the effort variable  $\mathbf{b}_{\text{sv}} \cdot \mathbf{e} = i_2^*(T) \in \Gamma(\mathbb{T}^* \mathcal{Z}) \otimes \tilde{\Omega}^2(\partial \mathcal{Z})$  is the viscous stress tensor pulled back to the boundary as a 2-point tensor, see 14.

To show that Eq. (23) defines a non-negative definite symmetric operator, we again apply integration by parts to obtain a weak form with implicit boundary conditions. Letting the test functions be equal to the effort variables  $\mathbf{p}_v \cdot \mathbf{e}$  and  $\mathbf{s} \cdot \mathbf{e}$  gives the following power balance equation:

$$\begin{aligned} & \int_{\mathcal{Z}} \mathbf{p}_v \cdot \mathbf{e} \wedge \mathbf{p}_v \cdot \mathbf{f} + \int_{\mathcal{Z}} \mathbf{s} \cdot \mathbf{e} \wedge \mathbf{s} \cdot \mathbf{f} + \int_{\partial \mathcal{Z}} \mathbf{b}_{\text{sv}} \cdot \mathbf{e} \wedge \mathbf{b}_{\text{sv}} \cdot \mathbf{f} = \\ & \frac{1}{\theta_0} \cdot \int_{\mathcal{Z}} \left[ + \nabla(\mathbf{p}_v \cdot \mathbf{e}) \wedge \left( \mu_s \cdot \star_2(\text{sym}(b_1(\nabla(\mathbf{p}_v \cdot \mathbf{e})))) \right) \cdot \theta \right. \\ & \quad - \nabla(\mathbf{p}_v \cdot \mathbf{e}) \wedge \left( \mu_s \cdot \star_2(\text{sym}(b_1(\nabla u))) \right) \cdot \mathbf{s} \cdot \mathbf{e} \\ & \quad - \mathbf{s} \cdot \mathbf{e} \cdot \left( \mu_s \cdot \nabla(\mathbf{p}_v \cdot \mathbf{e}) \wedge \star_2(\text{sym}(b_1(\nabla u))) \right) \\ & \quad \left. + \mathbf{s} \cdot \mathbf{e} \cdot \left( \frac{1}{\theta} \cdot \mu_s \cdot \nabla u \wedge \star_2(\text{sym}(b_1(\nabla u))) \right) \cdot \mathbf{s} \cdot \mathbf{e} \right] = \\ & \theta_0 \cdot \int_{\mathcal{Z}} \frac{1}{\theta} \cdot \nabla u \wedge T \geq 0. \end{aligned}$$

Again, the integrand is equal to the local entropy production rate and multiplying the integral with the leading factor  $\theta_0$  gives the total exergy destruction rate due to shear viscosity.

Equation (23a) satisfies the condition for conservation of energy because  $A(u) + B(\theta) = 0$  and  $B(u) + D(\theta) = 0$ , where  $u = \mathbf{p}_v \cdot \mathbf{e}$  and  $\theta = \theta_0 + \mathbf{s} \cdot \mathbf{e}$ .

Combining Eqs. (22) and (23) with the equations for the interconnection pattern in Fig. 8 and eliminating port variables gives the following equations for the composite system:

$$\mathbf{f} \cdot \mathbf{p} \cdot \mathbf{f} = -\star_2 d_{\nabla} T \quad (24a)$$

$$\mathbf{f} \cdot \mathbf{s} \cdot \mathbf{f} = -\frac{1}{\theta} \cdot \nabla u \wedge T \quad (24b)$$

$$\mathbf{b}_{\text{sv}} \cdot \mathbf{f} = -i_2^*(u) \quad (24c)$$

$$\mathbf{b}_{\text{sv}} \cdot \mathbf{e} = i_2^*(T), \quad (24d)$$

where  $u = \sharp(\star(\mathbf{f} \cdot \mathbf{p} \cdot \mathbf{e}))$ ,  $\theta = \theta_0 + \mathbf{f} \cdot \mathbf{s} \cdot \mathbf{e}$  and  $T = \mu_s \cdot \star_2(\text{sym}(b_1(\nabla u)))$ .

#### D. Interconnected Navier-Stokes-Fourier model

Combining Eqs. (18), (20), (21) and (24) with the equations for the interconnection pattern in Fig. 7 and eliminating interface variables gives the following system of equations on  $\mathcal{Z}$ :

$$\begin{aligned} \dot{v} &= +\star(v \wedge \star d v) - d(\star(v \wedge \star v)/2) - \frac{1}{\star m} \cdot d\tau \\ &+ \frac{1}{\star \tilde{m}} \cdot d(\mu_v \cdot \star d \star v) \quad (25a) \\ &+ \frac{1}{\star \tilde{m}} \cdot \star_2 d_{\nabla}(\mu_s \cdot \star_2(\text{sym}(\nabla v))) \\ &+ \frac{1}{\star \tilde{m}} \cdot \mathbf{f} \cdot \mathbf{p} \cdot \mathbf{f} \end{aligned}$$

$$\dot{\tilde{m}} = -d(\star \tilde{m} \cdot \star v) \quad (25b)$$

$$\dot{\tilde{s}} = -d(\star \tilde{s} \cdot \star v)$$

$$+ \frac{1}{\theta} \cdot d(\kappa_T \cdot \star d \theta)$$

$$+ \frac{1}{\theta} \cdot \mu_v \cdot (\star d \star v) \cdot (d \star v) \quad (25c)$$

$$+ \frac{1}{\theta} \cdot \nabla v^{\sharp} \wedge (\mu_s \cdot \star_2(\text{sym}(\nabla v)))$$

$$+ \mathbf{f} \cdot \mathbf{s} \cdot \mathbf{f}$$

$$\mathbf{f} \cdot \mathbf{p} \cdot \mathbf{e} = \star v \quad (25d)$$

$$\mathbf{f} \cdot \mathbf{s} \cdot \mathbf{e} = \theta - \theta_0 \quad (25e)$$

Moreover, the boundary conditions  $\text{if.kin.b}_k \cdot \mathbf{f} = \text{if.int.b}_m \cdot \mathbf{f} = -i^*(\star \tilde{m} \cdot \star v) = 0$  (no mass flux),  $\text{if.int.b}_s \cdot \mathbf{f} = -i^*(\star \tilde{s} \cdot \star v) = 0$  (no entropy flux),  $\text{th.b}_t \cdot \mathbf{f} = -i^*(\frac{1}{\theta} \cdot (-\tilde{\phi})) = 0$  (no heat flux),  $\text{vol.b}_{vv} \cdot \mathbf{f} = -i^*(\star v) = 0$  (no volume flux), and  $\text{shr.b}_{\text{sv}} \cdot \mathbf{f} = -i_2^*(u) = 0$  (vanishing velocity in vicinity of boundary) are implied.

## V. MAXWELL MODEL

In this section, we implement a Maxwell model describing electromagnetic wave propagation in a medium with linear polarization and magnetization. Next, we discuss the three primitive systems filling the inner boxes of the interconnection pattern shown in Fig. 9 and then we collect the equations for the composite system.

### A. Storage of electric energy

The storage component  $(I_{\text{ee}}, E_{\text{ee}})$  filling box  $\text{ee}$  is defined by its interface  $I_{\text{ee}} = (\{d\}, \tau_{\text{ee}})$  with  $\tau_{\text{ee}}(d) = ((\tilde{\Omega}^2(\mathcal{Z}), \text{electric\_displacement}), p)$  and its energy function  $E_{\text{ee}}: \tilde{\Omega}^2(\mathcal{Z}) \rightarrow \mathbb{R}$  given by

$$E_{\text{ee}}(\tilde{d}) = \int_{\mathcal{Z}} \frac{1}{2 \cdot \epsilon_0 \cdot \epsilon_r} \cdot \star \tilde{d} \wedge \tilde{d},$$

where  $\tilde{d} = d \cdot x$  is the electric displacement. The physical constant  $\epsilon_0 = 8.8541878128 \cdot 10^{-12} \text{Fm}^{-1}$  is the vacuum permittivity and the parameter  $\epsilon_r \in \mathbb{R}$  is the relative permittivity characterizing the linear material response (polarization).

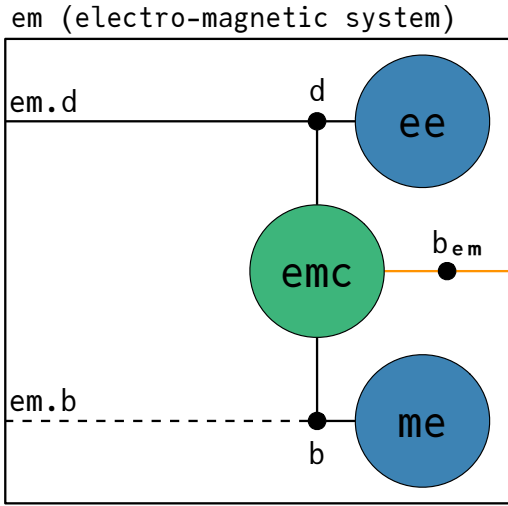


FIG. 9. Interconnection pattern of the Maxwell model. Boxes  $ee$  and  $me$  respectively represent storage of electric and magnetic energy. Box  $emc$  represents the reversible coupling of the electric and the magnetic energy domain and the boundary port  $b_{em}$  accounts for exchange of electromagnetic energy across  $\partial\mathcal{Z}$ .

The flow and effort variables are hence given by

$$\begin{aligned} d.f &= \dot{d} \in \tilde{\Omega}^2(\mathcal{Z}) \\ d.e &= \frac{1}{\epsilon_0 \cdot \epsilon_r} \cdot \star \dot{d} = e \in \Omega^1(\mathcal{Z}), \end{aligned} \quad (26)$$

where  $e$  is the electric field.

### B. Storage of magnetic energy

The storage component  $(I_{me}, E_{me})$  filling box  $me$  is defined by its interface  $I_{me} = (\{b\}, \tau_{me})$  with  $\tau_{me}(b) = ((\Omega^2(\mathcal{Z}), \text{magnetic\_flux}), k)$  and its energy function  $E_{me}: \Omega^2(\mathcal{Z}) \rightarrow \mathbb{R}$  given by

$$E_{me}(b) = \int_{\mathcal{Z}} \frac{1}{2 \cdot \mu_0 \cdot \mu_r} \cdot \star b \wedge b,$$

where  $b = b.x$  is the magnetic flux (density). Here, the physical constant  $\mu_0 = 1.25663706212 \cdot 10^{-6} \text{ NA}^{-2}$  is the vacuum permeability and the parameter  $\mu_r \in \mathbb{R}$  is the relative permeability characterizing the linear material response (magnetization).

The flow and effort variables are hence given by

$$\begin{aligned} b.f &= \dot{b} \in \Omega^2(\mathcal{Z}) \\ b.e &= \frac{1}{\mu_0 \cdot \mu_r} \cdot \star b = \tilde{h} \in \tilde{\Omega}^1(\mathcal{Z}), \end{aligned} \quad (27)$$

where  $\tilde{h}$  is the magnetic field (strength).

### C. Electro-magnetic coupling

The reversible component  $(I_{emc}, \mathcal{D}_{emc})$  filling box  $emc$  is defined by its interface  $I_{emc} = (\{d, b, b_{em}\}, \tau_{emc})$  with

$$\tau_{emc}(d) = ((\tilde{\Omega}^2(\mathcal{Z}), \text{electric\_displacement}), p)$$

$$\tau_{emc}(b) = ((\Omega^2(\mathcal{Z}), \text{magnetic\_flux}), k)$$

and the Stokes-Dirac structure  $\mathcal{D}_{emc}$  given by

$$\begin{bmatrix} d.f \\ b.f \end{bmatrix} = \begin{bmatrix} 0 & -d(\_) \\ d(\_) & 0 \end{bmatrix} \begin{bmatrix} d.e \\ b.e \end{bmatrix} \quad (28a)$$

$$\begin{bmatrix} b_{em}.f \\ b_{em}.e \end{bmatrix} = \begin{bmatrix} i^*(\_) & 0 \\ 0 & i^*(\_) \end{bmatrix} \begin{bmatrix} d.e \\ b.e \end{bmatrix}. \quad (28b)$$

This defines a power-preserving relation since

$$\begin{aligned} \int_{\mathcal{Z}} (d.e \wedge d.f + b.e \wedge b.f) &= \\ \int_{\mathcal{Z}} d(d.e \wedge b.e) &= - \int_{\partial\mathcal{Z}} b_{em}.e \wedge b_{em}.f. \end{aligned}$$

We also note that  $-b_{em}.e \wedge b_{em}.f = i^*(e \wedge \tilde{h}) \in \tilde{\Omega}^2(\partial\mathcal{Z})$  is the twisted 2-form on  $\partial\mathcal{Z}$  corresponding to the Poynting vector. The boundary port is defined such that  $b_{em}.f = 0$  corresponds to a vanishing electric field tangential to the boundary (due to a perfectly conducting wall).

### D. Interconnected Maxwell model

Combining Eqs. (26) to (28) with the equations for the interconnection pattern in Fig. 9 and eliminating interface variables gives the following system of equations on  $\mathcal{Z}$ :

$$\begin{aligned} \dot{d} &= +d\tilde{h} + em.d.f \\ \dot{b} &= -de \end{aligned} \quad (29)$$

$$em.d.e = e,$$

where  $e = \star \dot{d} / (\epsilon_0 \cdot \epsilon_r)$  and  $\tilde{h} = \star b / (\mu_0 \cdot \mu_r)$ . Moreover, we have  $b_{em}.f = i^*(e)$  and  $b_{em}.e = i^*(\tilde{h})$ .

The free charge density  $\tilde{q} \in \tilde{\Omega}^3(\mathcal{Z})$  is given by  $\tilde{q} = d\tilde{d}$ . If the current density (source term)  $em.d.f$  vanishes, charge is a conserved quantity (Casimir function), since

$$\dot{\tilde{q}} = d\dot{\tilde{d}} = dd\tilde{h} = 0.$$

An initial condition for Eq. (29) has to satisfy the constraint  $db = 0$ , called Gauss's law for magnetism. The constraint is upheld since  $d\dot{b} = -dde = 0$ .

## VI. ELECTRO-MAGNETO HYDRODYNAMICS MODEL

In this section, we combine the Navier-Stokes-Fourier system and the Maxwell system into a model for a charged fluid interacting with electric and magnetic fields see Fig. 10. This involves two extra systems describing the electro-kinetic coupling and electric conduction, which we define next. Finally, we collect the equations defining the EMHD model.



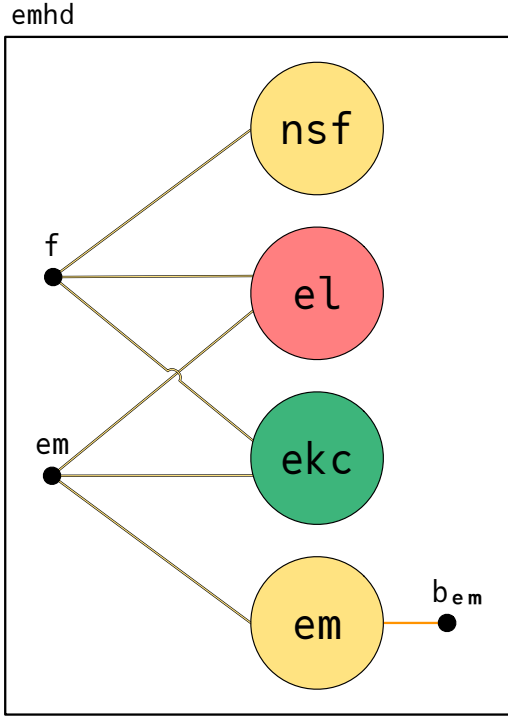


FIG. 10. Interconnection pattern of the electro-magneto hydrodynamics model. Box nsf represents the Navier-Stokes-Fourier system. Box em represents the Maxwell system describing electromagnetic wave propagation. Box ekc represents the electro-kinetic coupling. Box el represents electric conduction in the fluid.

### A. Electro-kinetic coupling

Box ekc represents the reversible coupling of the fluid's kinetic energy domain represented by port f.p and the electric energy domain represented by port em.d. On the one hand, the motion of charged fluid particles amounts to a current. On the other hand, an electric field exerts a force on charged fluid particles. Moreover, the presence of a magnetic flux leads to a force on moving charges. The sum of these two forces is called the Lorentz force. This coupling is encapsulated by the following component.

The reversible component  $(I_{ekc}, \mathcal{D}_{ekc})$  filling box ekc is defined by its interface  $I_{ekc} = (\{f.p, em.d, f.m, em.b\}, \tau_{ekc})$  with

$$\begin{aligned} \tau_{ekc}(f.p) &= ((\tilde{\Omega}^1(\mathcal{Z}), \text{momentum}), k) \\ \tau_{ekc}(em.d) &= ((\tilde{\Omega}^2(\mathcal{Z}), \text{electric\_displacement}), p) \\ \tau_{ekc}(f.m) &= (\tilde{\Omega}^3(\mathcal{Z}), \text{mass}) \\ \tau_{ekc}(em.b) &= (\Omega^2(\mathcal{Z}), \text{magnetic\_flux}) \end{aligned}$$

and the Dirac structure  $\mathcal{D}_{ekc}$  given by

$$\begin{bmatrix} f.p.f \\ em.d.f \end{bmatrix} = c \cdot \star \tilde{m} \cdot \begin{bmatrix} \star(\star(-) \wedge \star b) & -(-) \\ +(-) & 0 \end{bmatrix} \begin{bmatrix} f.p.e \\ em.d.e \end{bmatrix}, \quad (30)$$

where  $\tilde{m} = f.m.x$ ,  $b = em.b.x$  and  $c \in \mathbb{R}$  is a parameter giving the charge per unit of fluid mass.

Simplifying Eq. (30) gives the current density  $em.d.f = c \cdot \star \tilde{m} \cdot \star v$  and the Lorentz force  $-f.p.f = c \cdot \star \tilde{m} \cdot (\star(v \wedge \star b) + e)$ , where the term  $\star(v \wedge \star b) = -\iota_u b$  corresponds to the cross product of the velocity vector field  $u = v^\sharp$  and the magnetic flux vector field  $\sharp(\star b)$ .

### B. Electric conduction

Electric conduction is a relaxation process that counteracts a non-uniform electric potential with an electric current. As the electric field is given by the differential of the electric potential, the former directly reflects spatial variations of the latter. According to Ohm's law, the current density is simply given by  $\kappa_e \cdot \star e$ , where  $\kappa_e \geq 0$  is the electric conductivity. This dynamics is encapsulated by the following component.

The irreversible component  $(I_{el}, \mathcal{O}_{el})$  filling box el is defined by its interface  $I_{el} = (\{em.d, f.s\}, \tau_{el})$  with

$$\begin{aligned} \tau_{el}(em.d) &= ((\tilde{\Omega}^2(\mathcal{Z}), \text{electric\_displacement}), p) \\ \tau_{el}(f.s) &= ((\tilde{\Omega}^3(\mathcal{Z}), \text{entropy}), i). \end{aligned}$$

and the Onsager structure  $\mathcal{O}_{el}$  given by

$$\begin{bmatrix} em.d.f \\ f.s.f \end{bmatrix} = \frac{1}{\theta_0} \cdot \kappa_e \cdot \begin{bmatrix} \theta \wedge \star(-) & -(-) \wedge \star e \\ -(-) \wedge \star e & \frac{1}{\theta} \cdot e \wedge \star e \cdot (-) \end{bmatrix} \begin{bmatrix} em.d.e \\ f.s.e \end{bmatrix}, \quad (31)$$

where  $e = em.d.e$  and  $\theta = \theta_0 + f.s.e$ .

Simplifying Eq. (31) gives the current density  $em.d.f = \kappa_e \cdot \star e \in \tilde{\Omega}^2(\mathcal{Z})$  and the entropy production rate  $-f.s.f = \frac{1}{\theta} \cdot e \wedge (\kappa_e \cdot \star e) \in \tilde{\Omega}^3(\mathcal{Z})$ .

The total exergy destruction rate is given by

$$\int_{\mathcal{Z}} (em.d.e \wedge em.d.f + f.s.e \wedge f.s.f) = \theta_0 \cdot \int_{\mathcal{Z}} \frac{1}{\theta} \cdot e \wedge (\kappa_e \cdot \star e).$$

Equation (31) satisfies the condition for conservation of energy since  $\theta \wedge \star(e) - (\theta) \wedge \star e = 0$  and  $-(e) \wedge \star e + \frac{1}{\theta} \cdot e \wedge \star e \cdot (\theta) = 0$ , where  $e = em.d.e$  and  $\theta = \theta_0 + f.s.e$ .

### C. Interconnected EMHD model

Combining Eqs. (25) and (29) to (31) with the equations for the interconnection pattern in Fig. 10 and eliminating interface

variables gives the following system of equations on  $\mathcal{L}$ :

$$\begin{aligned} \dot{v} = & + \star(v \wedge \star dv) - d(\star(v \wedge \star v)/2) - \frac{1}{\star \tilde{m}} \cdot d\pi \\ & + \frac{1}{\star \tilde{m}} \cdot d(\mu_v \cdot \star d \star v) \end{aligned} \quad (32a)$$

$$\begin{aligned} & + \frac{1}{\star \tilde{m}} \cdot \star_2 d_{\nabla}(\mu_s \cdot \star_2(\text{sym}(\nabla v))) \\ & + c \cdot (\star(v \wedge \star b) + e) \\ \dot{m} = & - d(\star \tilde{m} \cdot \star v) \end{aligned} \quad (32b)$$

$$\begin{aligned} \dot{s} = & - d(\star \tilde{s} \cdot \star v) \\ & + \frac{1}{\theta} \cdot d(\kappa_f \cdot \star d\theta) \\ & + \frac{1}{\theta} \cdot \mu_v \cdot (\star d \star v) \cdot (d \star v) \end{aligned} \quad (32c)$$

$$\begin{aligned} & + \frac{1}{\theta} \cdot \nabla v^{\sharp} \wedge (\mu_s \cdot \star_2(\text{sym}(\nabla v))) \\ & + \frac{1}{\theta} \cdot e \wedge (\kappa_e \cdot \star e) \\ \dot{d} = & + d\tilde{h} \\ & - c \cdot \star \tilde{m} \cdot \star v \end{aligned} \quad (32d)$$

$$\begin{aligned} & - \kappa_e \cdot \star e \\ \dot{b} = & - de \end{aligned} \quad (32e)$$

We note that state variables which are straight differential forms have negative parity with respect to time-reversal transformation, whereas those which are twisted differential forms have positive parity.

When combining the Maxwell system with the fluid model, the free charge density  $\tilde{q}$  must satisfy the constraint

$$\tilde{q} = d\tilde{d} = c \cdot \star \tilde{m},$$

which is upheld since

$$\dot{\tilde{q}} = d\dot{\tilde{d}} = dd\tilde{h} - d(c \cdot \star \tilde{m} \cdot \star v) = -c \cdot d(\star \tilde{m} \cdot \star v) = c \cdot \dot{\tilde{m}}.$$

Initial conditions for Eq. (32) must hence satisfy  $d\tilde{d} = c \cdot \star \tilde{m}$  and  $db = 0$ .

## VII. CONCLUSION

We presented a model of an electrically-charged fluid interacting with electromagnetic fields using the Exergetic Port-Hamiltonian Systems (EPHS) language. The compositional graphical syntax allowed us to gradually build up the model from simpler parts. As subsystems, we implemented an ideal fluid model, a Navier-Stokes-Fourier fluid model that reuses the ideal fluid model, and a Maxwell model for electromagnetism. The hierarchical nesting of systems makes it rather easy to understand and communicate increasingly complex models. Further, models and their parts can be easily reused and replaced. The primitive systems at the bottom of the hierarchy fall into three categories, describing storage of

energy as well as reversible and irreversible dynamics. We showed how their structure reflects the first and the second law of thermodynamics, as known from the metriplectic or GENERIC formalism. To define the primitive systems, we used exterior calculus as a coordinate-invariant language that makes explicit the geometric nature of physical quantities.

Leveraging the structured representation of models, future work can investigate their spatial and temporal discretization. Making use of compositionality, the primitive subsystems of a model should be transformed into discrete analogues that can be interconnected in the same way.

## Appendix A: Geometric foundation

Here, we want to introduce the geometric concepts that are used in the main part of the paper. More details can be found e.g. in the lectures 24 and textbooks 25 and 26.

Although less commonly used than *vector calculus* (VC), *exterior calculus* (EC) provides a powerful language for expressing physical laws in a coordinate-independent and geometrically intuitive manner. While VC implicitly relies on the Euclidian structure of the spatial domain, EC is based on more general spaces called Riemannian manifolds. It thereby separates different aspects that are intermingled in VC, such as differentiation, parameterization of the spatial domain with coordinate charts and the use of its (not necessarily Euclidian) metric. At the same time, EC unifies the derivative operators gradient, curl and divergence from VC into one operator called the exterior derivative. This is by virtue of a graded algebra: the exterior algebra of a 3-dimensional vector space contains so-called  $k$ -vectors, which can be thought of as oriented  $k$ -dimensional volumes for  $k = 0, \dots, 3$ . Rather than working with scalar and vector fields, EC relies on the more nuanced concept of differential  $k$ -forms. A  $k$ -form on a manifold essentially provides, at each point, a scale to measure some quantity associated to  $k$ -vectors. A 0-form is a scalar field that measures a quantity associated to points. A 1-form can be integrated along a curve, a 2-form can be integrated over a surface and a 3-form can be integrated over a volume, giving the total of the measured quantity. The generalized Stokes theorem of EC unifies the fundamental theorem of calculus ( $k = 1$ ), the Stokes theorem ( $k = 2$ ), and the divergence theorem ( $k = 3$ ). Integration is defined intrinsically on manifolds, meaning without a dependence on specific coordinates or the Riemannian metric. Balance equations can consequently be expressed in a way that essentially relies only on the topology of the spatial domain, while the metric appears only in constitutive relations.

Thermodynamic models as well as computational models are fundamentally based on a finite reticulation of the spatial domain. It hence may seem a bit odd that physical modeling traditionally relies on differential calculus with discretization coming as an afterthought. While this article does not break with this tradition, we expect that the models presented here can be naturally transformed into finite-dimensional EPHS based on discrete analogues of exterior calculus, see e.g. 27 and 28.

## 1. Linear duality

Given a finite-dimensional vector space  $V$ , its **dual space**  $V^*$  is the vector space of all linear functions from  $V$  to  $\mathbb{R}$ . Vector addition on  $V^*$  is defined by  $(\alpha_1 + \alpha_2)(v) = \alpha_1(v) + \alpha_2(v)$  for any two dual vectors (or covectors)  $\alpha_1, \alpha_2 \in V^*$  and any vector  $v \in V$ . Scalar multiplication on  $V^*$  is also inherited from  $\mathbb{R}$ , i.e.  $(c \cdot \alpha)(v) = c \cdot \alpha(v)$  for any scalar  $c \in \mathbb{R}$ , any covector  $\alpha \in V^*$ , and any vector  $v \in V$ .

The **duality pairing**  $\langle \_ | \_ \rangle: V^* \times V \rightarrow \mathbb{R}$  is simply defined by  $\langle \alpha | v \rangle = \alpha(v)$  for any covector  $\alpha \in V^*$  and any vector  $v \in V$ . A basis  $(e_1, \dots, e_n)$  for  $V$  determines the corresponding dual basis  $(e^1, \dots, e^n)$  for  $V^*$  by requiring  $\langle e^i | e_j \rangle = \delta_j^i$  for all  $i, j = 1, \dots, n$ , where  $n = \dim(V) = \dim(V^*)$  and  $\delta_j^i = 1$  if  $i = j$  and  $\delta_j^i = 0$  otherwise. It hence holds that  $V^{**} = V$ .

Given a linear map  $f: V \rightarrow W$  between two vector spaces, the **dual map** (or linear adjoint)  $f^*: W^* \rightarrow V^*$  is defined by  $\langle f^*(\alpha) | v \rangle = \langle \alpha | f(v) \rangle$  for any  $\alpha \in W^*$  and  $v \in V$ . Assuming a choice of basis for both  $V$  and  $W$ , linear maps  $V \rightarrow W$  can be represented as matrices. The matrix for  $f^*$  then simply is the transpose of the matrix for  $f$ .

## 2. Tensor algebra

A  $(p, q)$ -**tensor** on  $V$  (*contravariant* of order  $p$  and *covariant* of order  $q$ ) can be seen as a multilinear map

$$t: \underbrace{V^* \times \dots \times V^*}_{p \text{ copies}} \times \underbrace{V \times \dots \times V}_{q \text{ copies}} \rightarrow \mathbb{R}.$$

Multilinear maps are linear in each argument when the other arguments are held fixed. The vector space of  $(p, q)$ -tensors is denoted by  $V^{\otimes p} \otimes (V^*)^{\otimes q}$  and  $V^{\otimes p} = V \otimes \dots \otimes V$  ( $p$  copies) is called the  $p$ -th **tensor power** of  $V$ . Vector addition and scalar multiplication are inherited from  $\mathbb{R}$ . For instance, let  $t_1$  and  $t_2$  be two  $(0, 2)$ -tensors on  $V$ . Their sum  $t = t_1 + t_2$  is defined by  $t(v_1, v_2) = t_1(v_1, v_2) + t_2(v_1, v_2)$  for all  $v_1, v_2 \in V$ . The  $(0, 0)$ -tensors are scalars and  $V^{\otimes 0} \cong \mathbb{R}$  is the unit for the tensor product (of vector spaces). Considering again a 2-covariant tensor as example,  $t: V^* \otimes V^*$  may be seen as a map from the unit  $t: \mathbb{R} \rightarrow V^* \otimes V^*$  (using scalar multiplication) and by duality it gives a map  $t: V \rightarrow V^*$  or  $t: V \otimes V \rightarrow \mathbb{R}$ . The **tensor product** (of tensors) is defined by multiplication of the resulting scalars. E.g. the tensor product  $t = t_1 \otimes t_2$  of a  $(k, 0)$ -tensor  $t_1$  and a  $(l, 0)$ -tensor  $t_2$  is the  $(k+l, 0)$ -tensor  $t$  defined by  $t(\alpha_1, \dots, \alpha_k, \alpha_{k+1}, \dots, \alpha_{k+l}) = t_1(\alpha_1, \dots, \alpha_k) \cdot t_2(\alpha_{k+1}, \dots, \alpha_{k+l})$  for all  $\alpha_1, \dots, \alpha_{k+l} \in V^*$ . Equipped with the tensor product, the formal sum  $\bigoplus_{k=0}^{\infty} V^{\otimes k}$  becomes a graded algebra called the **tensor algebra** on  $V$ .

## 3. Exterior algebra

The **exterior algebra**  $\Lambda(V)$  on a vector space  $V$  is the graded subalgebra of its tensor algebra that includes only antisymmetric tensors. A tensor is called antisymmetric if swapping two arguments changes the sign of the resulting

scalar. Tensors in the  $k$ -th **exterior power**  $\Lambda^k(V) \subset V^{\otimes k}$  are called  $k$ -vectors. The **exterior product** (or wedge product)  $\wedge: \Lambda^k(V) \times \Lambda^l(V) \rightarrow \Lambda^{k+l}(V)$  is the antisymmetrized tensor product defined by

$$(v_1 \wedge v_2)(\alpha_1, \dots, \alpha_{k+l}) = \frac{1}{k! \cdot l!} \cdot \sum_{\sigma \in S_{k+l}} \text{sgn}(\sigma) \cdot (v_1 \otimes v_2)(\alpha_{\sigma(1)}, \dots, \alpha_{\sigma(k+l)}),$$

where  $S_{k+l}$  is the set of all permutations of the indices  $1, \dots, k+l$  and  $\text{sgn}: S_{k+l} \rightarrow \{-1, +1\}$  yields their sign. Due to the anti-symmetry, we have

$$v_1 \wedge v_2 = (-1)^{k \cdot l} v_2 \wedge v_1 \quad (\text{A1})$$

for all  $v_1 \in \Lambda^k(V)$  and  $v_2 \in \Lambda^l(V)$ . 1-vectors encode a directed length and 2-vectors encode an oriented area. According to Eq. (A1), the orientation of a 2-vector is reversed if the two 1-vectors spanning the area (thought of as a parallelogram) are swapped. If they are linearly dependent, the resulting 2-vector is the 2<sup>nd</sup> grade zero vector (as the area of the parallelogram is zero). 0-vectors are scalars and 3-vectors encode an oriented volume. Assuming  $\dim(V) = 3$ , we have  $\dim(\Lambda^0(V)) = \dim(\Lambda^3(V)) = 1$  and  $\dim(\Lambda^1(V)) = \dim(\Lambda^2(V)) = 3$ .

## 4. Hodge duality

An inner product on an  $n$ -dimensional vector space  $V$  induces a linear isomorphism  $\star: \Lambda^k(V) \rightarrow \Lambda^{n-k}(V)$  called the Hodge star. For  $V = \mathbb{R}^3$  with an orthonormal basis  $(e_1, e_2, e_3)$ , we have  $\star 1 = e_1 \wedge e_2 \wedge e_3$ ,  $\star e_1 = e_2 \wedge e_3$ ,  $\star e_2 = e_3 \wedge e_1$ ,  $\star e_3 = e_1 \wedge e_2$ , etc. The Hodge dual  $\star v$  of a 1-vector  $v$  is oriented in the plane that is orthogonal to  $v$ . Hence, the Hodge star converts between scalars and volume elements and between orthogonal line and surface elements. Up to a sign, it is its own inverse, as we have  $\star \star v = (-1)^{k \cdot (n-k)} v$  for any  $v \in \Lambda^k(V)$ . Due to the symmetry of the inner product, we have  $v_1 \wedge \star v_2 = v_2 \wedge \star v_1$  for any  $k$ -vectors  $v_1$  and  $v_2$ .

## 5. Smooth manifolds

A **smooth manifold**  $M$  is a topological space, meaning that it has a notion of neighborhoods around points. For some neighborhood (open set)  $U \subset M$ , a **coordinate chart** on  $U$  is a smooth isomorphism  $x: U \rightarrow x(U)$  that takes any point in  $U$  to its coordinate representation in  $x(U) \subseteq \mathbb{R}^n$ , where  $n = \dim(M)$ . While a single chart suffices for a flat space such as  $\mathbb{R}^3$ , in general it takes multiple overlapping charts to cover a manifold. For each overlap of two charts, there is a smooth isomorphism called a chart transition map.

Given that it is not empty, the boundary  $\partial M$  of  $M$  is seen as a  $(n-1)$ -dimensional submanifold with *inclusion* map  $i: \partial M \hookrightarrow M$ . At the boundary,  $M$  is locally isomorphic to a half-space of  $\mathbb{R}^n$ .

## 6. The derivative and the tangent bundle

Let  $f : M \rightarrow N$  be a smooth function between two smooth manifolds. The **derivative** of  $f$  evaluated at point  $p \in M$  is the linear function

$$\begin{aligned} T_p f : T_p M &\rightarrow T_{f(p)} N \\ v &\mapsto \left. \frac{d}{dt} \right|_{t=0} f(c(t)), \end{aligned}$$

where  $c : \mathbb{I} \rightarrow M$  with  $\mathbb{R} \supseteq \mathbb{I} \ni 0$  is an arbitrary smooth curve on  $M$  such that  $c(0) = p$  and  $\dot{c}(0) = v$ . Hence, the derivative of a smooth curve  $c$  at some point (here 0) is a vector  $v \in T_{c(0)} M$ , which is seen to be tangent to the curve at that point. The **tangent space** of  $M$  over point  $p$ , denoted by  $T_p M$ , is simply the vector space of all possible tangent vectors at  $p$ , when considering all possible curves passing through  $p$ . Finally, the derivative  $Tf$  of any smooth function  $f$  is the linear function that propagates tangent vectors along  $f$ . The disjoint union of all tangent spaces  $TM = \sqcup_{p \in M} T_p M$  forms again a smooth manifold, called the **tangent bundle** over  $M$ . We have  $\dim(TM) = 2 \cdot \dim(M)$ , since for every point  $p \in M$ , there are  $\dim(T_p M) = \dim(M)$  directions for change. So,  $T$  sends a manifold  $M$  to its tangent bundle  $TM$  and it sends a smooth map  $f : M \rightarrow N$  between manifolds to its derivative  $Tf : TM \rightarrow TN$ . For any composite function  $f = f_2 \circ f_1$ ,  $T$  satisfies the chain rule (functor property)  $Tf = Tf_2 \circ Tf_1$ .

Let  $\text{pr} : TM \rightarrow M$  denote the bundle projection, which maps a tangent vector at point  $p$  to the point  $p$  itself. A **section**  $s$  of the bundle  $TM$  is a smooth map  $s : M \rightarrow TM$  such that  $\text{pr} \circ s = \text{id}_M$ . A section of  $TM$  is called a **vector field**. We write  $\Gamma(TM)$  for the infinite-dimensional vector space of such sections. An **integral curve** of a vector field  $X \in \Gamma(TM)$  is a smooth curve  $c : \mathbb{I} \rightarrow M$ , with  $\mathbb{I} \subseteq \mathbb{R}$ , such that for each  $t \in \mathbb{I}$ , the tangent vector to  $c$  at  $c(t)$  is  $X|_{c(t)}$ .

## 7. The cotangent bundle and the differential

Given a manifold  $M$ , we can define its **cotangent bundle**  $T^*M = \sqcup_{p \in M} T_p^* M$ , where the cotangent space  $T_p^* M$  is the dual space of the tangent space  $T_p M$ . A section of the cotangent bundle is called a **covector field**.

We recall that for a function  $f : M \rightarrow N$  between two smooth manifolds, the derivative is a map  $Tf : TM \rightarrow TN$  that sends any pair  $(p, v)$  with  $p \in M$  and  $v \in T_p M$  to the pair  $(q, w)$  with  $q = f(p)$  and  $w \in T_q N$ . Here,  $w$  is the local change of  $f(p)$ , when the local change of  $p$  is  $v$ . To make composition work (chain rule), one has to propagate also the points  $q$  and  $p$  and not only their local changes  $v$  and  $w$ . In contrast to the derivative, the **differential** only applies to functions  $f : M \rightarrow \mathbb{R}$  on manifolds. The differential  $df \in \Gamma(T^*M)$  is a covector field. At point  $p$ ,  $df|_p \in T_p^* M$ , is a linear function that sends a vector  $v \in T_p M$  to the corresponding infinitesimal change  $w \in T_{f(p)} \mathbb{R} \cong \mathbb{R}$ . Hence,  $w = \langle df|_p | v \rangle$ . The definition of the gradient used in VC is based on an inner product. The differential instead uses linear duality, making it independent of such extra structure.

## 8. Differential forms and the exterior derivative

Generalizing vector and covector fields, we can define  $(p, q)$ -**tensor fields** as sections of  $(TM)^{\otimes p} \otimes (T^*M)^{\otimes q}$  with the tensor product extending to fields in a pointwise manner.

**Differential forms** are tensor fields in the exterior algebra of the cotangent bundle. We write  $\Omega^k(M) := \Gamma(\Lambda^k(T^*M))$  for the infinite-dimensional vector space of  $k$ -forms on  $M$ . 0-forms are smooth functions on  $M$ , i.e.  $\Omega^0(M) \cong C^\infty(M)$ , and 1-forms are covector fields. A 2-form  $\alpha \in \Omega^2(M)$  gives at every point  $p \in M$  a bilinear map  $\alpha|_p : T_p M \times T_p M \rightarrow \mathbb{R}$  that satisfies  $\alpha(v_1, v_2) = -\alpha(v_2, v_1)$  for all  $v_1, v_2 \in T_p M$ . The exterior product extends in a pointwise manner to a map  $\wedge : \Omega^k(M) \times \Omega^l(M) \rightarrow \Omega^{k+l}(M)$ , which satisfies the graded anticommutativity property in Eq. (A1).

For measuring the local change of differential forms, the differential  $d : C^\infty(M) \rightarrow \Gamma(T^*M)$  extends to a map  $d : \Omega^k(M) \rightarrow \Omega^{k+1}(M)$ , called the **exterior derivative**. This is uniquely determined by requiring that the product rule

$$d(\alpha \wedge \beta) = d\alpha \wedge \beta + (-1)^k \cdot \alpha \wedge d\beta \quad (\text{A2})$$

holds for all  $\alpha \in \Omega^k(M)$ ,  $\beta \in \Omega^l(M)$  and that  $dd\alpha = 0$  for any differential form  $\alpha$ . The nilpotency corresponds to the fact that a Hessian matrix has no antisymmetric part. Applied to 0-forms, the exterior derivative is similar to the gradient in VC. On 1-forms, it is similar to the curl and on 2-forms it is similar to the divergence. The nilpotency hence corresponds also to the fact that the curl of a gradient field and the divergence of a curl field vanish.

Given a smooth map  $f : M \rightarrow N$  between manifolds and a differential form  $\alpha \in \Omega^k(N)$ , the **pullback** of  $\alpha$  along  $f$  is denoted by  $f^*(\alpha) \in \Omega^k(M)$  and it is defined by  $f^*(\alpha)|_p(v_1, \dots, v_k) = \alpha|_{f(p)}((T_p f)(v_1), \dots, (T_p f)(v_k))$  for all  $p \in M$  and  $v_1, \dots, v_k \in T_p M$ . The pullback distributes over the exterior product, i.e.  $f^*(\alpha \wedge \beta) = f^*(\alpha) \wedge f^*(\beta)$  and it commutes with the exterior derivative, i.e.  $f^*(d\alpha) = d(f^*(\alpha))$ .

## 9. Integration and Stokes theorem

Let  $M$  be a manifold with  $\dim(M) = n$  and let  $N$  be a submanifold of  $M$  with  $\dim(N) = k$ . In particular, we may have  $N = M$  implying  $k = n$ .

A differential  $k$ -form on  $M$  can be integrated over  $N$ . At each point  $p \in M$ , a  $k$ -form gives a linear map that sends a  $k$ -vector on  $T_p M$  to a real number. We hence think of  $k$ -forms as somehow measuring oriented  $k$ -dimensional volumes. For instance, a 1-form provides a ‘scale’ to measure a *signed* length-like quantity associated to curves, as it assigns to each tangent vector a number that can be interpreted as an infinitesimal ‘length’. Summing these up for all tangent vectors along the curve gives the integral of the 1-form along the curve, thought of as its total ‘length’.

The integral theorems of VC are unified into the generalized Stokes (or Stokes-Cartan) theorem, which states that

$$\int_N d\alpha = \int_{\partial N} i^*(\alpha) \quad (\text{A3})$$

for all  $\alpha \in \Omega^{k-1}(N)$ . Here,  $i^*(\alpha)$  denotes the pullback of  $\alpha$  along the inclusion  $i: \partial N \hookrightarrow N$ , thought of as restriction to the boundary. The orientation of  $\partial N$  is induced by the orientation of  $N$  via an outwards pointing vector field. For  $k = \dim(N) = 1$ , the right hand side looks as in Eq. (7). If the boundary  $\partial N$  is empty, the right hand side is zero. Applying Stokes theorem twice with integrand  $dd\alpha$  shows that the nilpotency of the exterior derivative also reflects the topological fact that the boundary of any boundary is empty. Combining Stokes theorem with the product rule for the exterior derivative gives the following integration by parts formula: For all  $\alpha \in \Omega^k(N)$  and  $\beta \in \Omega^{(n-k-1)}(N)$ , we have

$$\begin{aligned} \int_N d(\alpha \wedge \beta) &= \int_{\partial N} i^*(\alpha \wedge \beta) = \int_{\partial N} i^*\alpha \wedge i^*\beta \\ &= \int_N d\alpha \wedge \beta + (-1)^k \cdot \int_N \alpha \wedge d\beta. \end{aligned}$$

## 10. Straight vs twisted differential forms

We make the physically meaningful distinction between straight and twisted  $k$ -forms, see e.g. 29.

The integral of a (straight)  $k$ -form on  $M$  over  $N$  changes sign if the orientation of  $N$  changes. For instance, this applies to a 1-form that represents an electric field, as integrating it over a curve with reversed orientation results in a voltage with opposite sign. The voltage is measured between the two end-points of the curve.

The integral of a twisted  $k$ -form (or  $k$ -pseudofrom) on  $M$  over  $N$  changes sign if the transverse orientation of  $N$  changes. The transverse orientation (or pseudoorientation) of  $N$  (in  $M$ ) is the orientation of the  $(n-k)$ -dimensional space around  $N$  and it is determined by the orientation of  $N$  and the orientation of the ambient space  $M$ . For instance, this applies to a twisted 1-form representing a magnetic field strength, as its integral over a closed curve changes sign if the orientation of the curve is reversed or the handedness of the 3-dimensional ambient space changes. The latter determines whether the left or right hand screw rule is used to determine the transverse orientation. The integral is equal to the current that passes through a surface whose boundary is the closed curve.

A twisted  $n$ -form on  $M$  is also called a density and it can be integrated over ( $n$ -dimensional submanifolds of)  $M$  without the need for an orientation. For instance, this applies to extensive quantities such as mass or entropy, which are given by twisted 3-forms.

The vector space of twisted  $k$ -forms on  $M$  is denoted by  $\tilde{\Omega}^k(M)$ . The exterior derivative takes straight forms to straight forms and twisted forms to twisted forms. The exterior product of a straight  $k$ -form and a twisted  $l$ -form gives a twisted  $(k+l)$ -form. Stokes theorem equally applies to twisted forms.

## 11. Riemannian metric and induced structure

A **Riemannian metric** on a manifold  $M$  is a symmetric positive-definite  $(0,2)$ -tensor  $g \in \Gamma(T^*M \otimes T^*M)$ , which gives

an inner product on every tangent space of  $M$ .

On a Riemannian manifold  $(M, g)$ , the so-called **musical isomorphisms** denoted by  $\flat: TM \rightarrow T^*M$  and  $\sharp: T^*M \rightarrow TM$  map between vectors and covectors or between vector fields and 1-forms. For some vector  $v \in T_pM$ , the flat map is defined by  $v^\flat = g(v, \cdot) \in T_p^*M$ . The sharp map is defined similarly using the inverse of  $g$ .

The inner product on each tangent space induces a Hodge star isomorphism  $\star: \Omega^k(M) \rightarrow \tilde{\Omega}^{n-k}(M)$ , see 30. We again have  $\star\star\alpha = (-1)^{k(n-k)}\alpha$  for all  $\alpha \in \Omega^k(M)$ . For the case  $n=3$ , this simplifies to  $\star\star\alpha = \alpha$ . Due to the symmetry of the inner product, we have  $\alpha \wedge \star\beta = \beta \wedge \star\alpha$  for all  $\alpha, \beta \in \Omega^k(M)$ . The same applies for the other direction  $\star: \tilde{\Omega}^k(M) \rightarrow \Omega^{n-k}(M)$ .

The **Riemannian volume form** (or density) on  $(M, g)$  is given by  $\star 1 \in \tilde{\Omega}^n(M)$ .

## 12. Interior product and Lie derivative

The **interior product**  $\iota_X: \Omega^k(M) \rightarrow \Omega^{k-1}(M)$  fixes a vector field  $X \in \Gamma(TM)$  as the first argument of a (twisted)  $k$ -form. As shown in 27, it can be expressed using the Hodge star:

$$\begin{aligned} \iota_{(\cdot)}^\sharp(\cdot): \Omega^1(M) \times \Omega^k(M) &\rightarrow \Omega^{k-1}(M) \quad (\text{A4}) \\ (v, \alpha) &\mapsto \iota_{v^\sharp}\alpha = (-1)^{(k+1)n} \star(v \wedge \star\alpha). \end{aligned}$$

The **Lie derivative**  $\mathcal{L}$  does not depend on the metric and measures the change of a tensor along the (local) flow of a vector field. The Lie derivative of a (twisted)  $k$ -form  $\alpha$  can be computed with Cartan's magic formula

$$\mathcal{L}_X\alpha = d(\iota_X\alpha) + \iota_X(d\alpha).$$

## 13. Covariant derivative and bundle-valued forms

A **covariant derivative** is a directional derivative for tensor fields. In contrast to the exterior derivative and Lie derivative, there is no unique covariant derivative defined on a smooth manifold. However, for a Riemannian manifold, there is a canonical choice, called the Levi-Civita connection. For the relevant case of a vector field  $u \in \Gamma(TM)$ , the covariant derivative of  $u$  along a tangent vector  $v \in TM$  is denoted by  $\nabla_v u \in \Gamma(TM)$ . Since  $\nabla$  is linear with respect to the direction, we write  $\nabla u \in \Gamma(TM) \otimes \Omega^1(M)$ . Pairing the second leg (or form part) of the  $TM$ -valued 1-form  $\nabla u$  with some tangent vector  $v$  again gives  $\nabla_v u$ .

To define a duality pairing for **bundle-valued forms**, we use the binary operation

$$\wedge: (\Gamma(TM) \otimes \Omega^k(\mathcal{L})) \times (\Gamma(T^*M) \otimes \tilde{\Omega}^{n-k}(M)) \rightarrow \tilde{\Omega}^n(M) \quad (\text{A5})$$

defined by  $(u \otimes \beta) \wedge (\alpha \otimes \gamma) = \langle \alpha | u \rangle \cdot \beta \wedge \gamma$ . For  $k=0$ , we implicitly identify  $\Gamma(TM) \cong \Gamma(TM) \otimes \Omega^0(M)$  and  $\Gamma(T^*M) \cong \Gamma(T^*M) \otimes \Omega^0(M)$ . We may then write  $u \wedge (\alpha \otimes (\star 1)) = (\iota_u \alpha) \star 1 = \star(\iota_u \alpha)$ .

The exterior covariant derivative  $d_{\nabla}$  is the formal adjoint of  $-\nabla$ . For the relevant case of a  $\Gamma(T^*M)$ -valued twisted 2-form  $T$ , it gives a map  $d_{\nabla}: \Gamma(T^*M) \otimes \tilde{\Omega}^2(M) \rightarrow \Gamma(T^*M) \otimes \tilde{\Omega}^3(M)$  that is determined by the integration by parts formula

$$\int_M d(u \wedge T) = \int_{\partial M} i^*(u \wedge T) = \int_M u \wedge d_{\nabla} T + \int_M \nabla u \wedge T,$$

see 23.

## AUTHOR CONTRIBUTION STATEMENT

**Markus Lohmayer:** Conceptualization, Investigation, Writing – Original Draft, Writing – Review & Editing, Visualization; **Michael Kraus:** Investigation, Review & Editing; **Sigrid Leyendecker:** Supervision, Review & Editing, Funding

## REFERENCES

- <sup>1</sup>M. Lohmayer, O. Lynch, and S. Leyendecker, “Exergetic Port-Hamiltonian Systems Modeling Language,” (2024).
- <sup>2</sup>M. Lohmayer, G. Capobianco, and S. Leyendecker, “Exergetic Port-Hamiltonian Systems for Multibody Dynamics,” (2024).
- <sup>3</sup>V. Arnold, “Sur la géométrie différentielle des groupes de Lie de dimension infinie et ses applications à l’hydrodynamique des fluides parfaits,” *Annales de l’Institut Fourier* **16**, 319–361 (1966).
- <sup>4</sup>V. I. Arnold, “Hamiltonian nature of the Euler equations in the dynamics of a rigid body and of an ideal fluid,” *Usp. Mat. Nauk* **24**, 225–226 (1969).
- <sup>5</sup>J. Marsden and R. Abraham, “Hamiltonian mechanics on Lie groups and hydrodynamics,” in *Proceedings of Symposia in Pure Mathematics*, Vol. 16, edited by S.-S. Chern and S. Smale (American Mathematical Society, Berkley, CA, 1970) pp. 237–244.
- <sup>6</sup>D. G. Ebin and J. Marsden, “Groups of diffeomorphisms and the motion of an incompressible fluid,” *Annals of Mathematics* **92**, 102 (1970).
- <sup>7</sup>J. E. Marsden and T. S. Ratiu, *Introduction to Mechanics and Symmetry* (Springer, New York, 1999).
- <sup>8</sup>J. E. Marsden, T. Ratiu, and A. Weinstein, “Semidirect products and reduction in mechanics,” *Transactions of the American Mathematical Society* **281**, 147–177 (1984).
- <sup>9</sup>J. E. Marsden, T. Ratiu, and A. Weinstein, “Reduction and Hamiltonian structures on duals of semidirect product Lie algebras,” *Contemporary Mathematics* **28**, 55–100 (1984).
- <sup>10</sup>A. van der Schaft and B. Maschke, “Hamiltonian formulation of distributed-parameter systems with boundary energy flow,” *Journal of Geometry and Physics* **42**, 166–194 (2002).
- <sup>11</sup>A. van der Schaft and B. Maschke, “Fluid dynamical systems as Hamiltonian boundary control systems,” in *Proceedings of the 40th IEEE Conference on Decision and Control*, Vol. 5 (2001) pp. 4497–4502.
- <sup>12</sup>R. Rashad, F. Califano, F. P. Schuller, and S. Stramigioli, “Port-Hamiltonian modeling of ideal fluid flow: Part I. Foundations and kinetic energy,” *Journal of Geometry and Physics* **164**, 104201 (2021).
- <sup>13</sup>R. Rashad, F. Califano, F. P. Schuller, and S. Stramigioli, “Port-Hamiltonian modeling of ideal fluid flow: Part II. Compressible and incompressible flow,” *Journal of Geometry and Physics* **164**, 104199 (2021).
- <sup>14</sup>F. Califano, R. Rashad, F. P. Schuller, and S. Stramigioli, “Geometric and energy-aware decomposition of the Navier–Stokes equations: A port-Hamiltonian approach,” *Physics of Fluids* **33**, 047114 (2021).
- <sup>15</sup>M. Lohmayer and S. Leyendecker, “Exergetic Port-Hamiltonian Systems: Navier-Stokes-Fourier Fluid,” in *Proceedings of the 4th IFAC Workshop on Thermodynamics Foundations of Mathematical Systems Theory TFMST 2022*, Vol. 55 (Elsevier BV, 2022) pp. 74–80.
- <sup>16</sup>M. Lohmayer, P. Kotyczka, and S. Leyendecker, “Exergetic port-Hamiltonian systems: modelling basics,” *Mathematical and Computer Modelling of Dynamical Systems* **27**, 489–521 (2021).
- <sup>17</sup>P. J. Morrison, “A paradigm for joined Hamiltonian and dissipative systems,” *Physica D: Nonlinear Phenomena* **18**, 410–419 (1986).
- <sup>18</sup>M. Grmela and H. C. Öttinger, “Dynamics and thermodynamics of complex fluids. I. Development of a general formalism,” *Phys. Rev. E* **56**, 6620–6632 (1997).
- <sup>19</sup>H. C. Öttinger, *Beyond Equilibrium Thermodynamics* (John Wiley & Sons Inc, Hoboken, New Jersey, 2005).
- <sup>20</sup>M. Pavelka, V. Klika, and M. Grmela, *Multiscale Thermo-Dynamics* (De Gruyter, Berlin, 2018).
- <sup>21</sup>H. C. Öttinger, “Nonequilibrium thermodynamics for open systems,” *Phys. Rev. E* **73**, 036126 (2006).
- <sup>22</sup>A. D. Gilbert and J. Vanneste, “A Geometric Look at Momentum Flux and Stress in Fluid Mechanics,” *Journal of Nonlinear Science* **33** (2023), 10.1007/s00332-023-09887-0.
- <sup>23</sup>E. Kanso, M. Arroyo, Y. Tong, A. Yavari, J. G. Marsden, and M. Desbrun, “On the geometric character of stress in continuum mechanics,” *Zeitschrift für angewandte Mathematik und Physik* **58**, 843–856 (2007).
- <sup>24</sup>K. Crane, “Discrete Differential Geometry,” (2021).
- <sup>25</sup>J. M. Lee, *Introduction to Smooth Manifolds*, 2nd ed. (Springer New York, 2012).
- <sup>26</sup>R. Abraham, J. E. Marsden, and T. Ratiu, *Manifolds, Tensor Analysis, and Applications*, 2nd ed., Applied Mathematical Sciences (Springer, New York, 1988).
- <sup>27</sup>A. N. Hirani, *Discrete Exterior Calculus*, Ph.D. thesis, California Institute of Technology (2003).
- <sup>28</sup>D. N. Arnold, R. S. Falk, and R. Winther, “Finite element exterior calculus: from Hodge theory to numerical stability,” *Bulletin of the American Mathematical Society* **47**, 281–354 (2010).
- <sup>29</sup>W. L. Burke, *Applied Differential Geometry* (Cambridge University Press, 1985).
- <sup>30</sup>S. Ramanan, *Global Calculus* (American Mathematical Society, Providence, Rhode Island, 2005).