

A Photonic Parameter-shift Rule: Enabling Gradient Computation for Photonic Quantum Computers

Axel Pappalardo¹, Pierre-Emmanuel Emeriau¹, Giovanni de Felice², Brian Ventura¹, Hugo Jaunin, Richie Yeung², Bob Coecke², and Shane Mansfield¹

¹Quandela SAS, 7 Rue Léonard de Vinci, 91300 Massy, France

²Quantinuum, 17 Beaumont street, Oxford, OX1 2NA, United Kingdom

We present a method for gradient computation in quantum algorithms implemented on linear optical quantum computing platforms. While parameter-shift rules have become a staple in qubit gate-based quantum computing for calculating gradients, their direct application to photonic platforms has been hindered by the non-unitary nature of differentiated phase-shift operators in Fock space. We introduce a photonic parameter-shift rule that overcomes this limitation, providing an exact formula for gradient computation in linear optical quantum processors. Our method scales linearly with the number of input photons and utilizes the same parameterized photonic circuit with shifted parameters for each evaluation. This advancement bridges a crucial gap in photonic quantum computing, enabling efficient gradient-based optimization for variational quantum algorithms on near-term photonic quantum processors. We demonstrate the efficacy of our approach through numerical simulations in quantum chemistry and generative modeling tasks, showing superior optimization performance as well as robustness to noise from finite sampling and photon distinguishability compared to other gradient-based and gradient-free methods.

1 Introduction

Quantum algorithms can offer significant speedups and novel capabilities beyond their classical counterparts [1]. Variational quantum algorithms (VQAs) [2] have emerged as one of the major families of quantum algorithms and have garnered considerable interest in recent years. While many well-known quantum algorithms are expected to require fault-tolerant quantum computers to exhibit advantages over their best classical counterparts, VQAs are considered to be more promising for more near-term Noisy Intermediate-Scale Quantum (NISQ) technologies due to the inherent robustness of variational algorithms. At the same

pe.emeriau@quandela.com

time, their interest extends into the large-scale fault-tolerant regime for quantum computing too, whether in their own right or in synergy with more demanding algorithms. An example is the Variational Quantum Eigensolver [3] which first emerged as a possible technique for estimating initial states for the Quantum Phase Estimation algorithm [4], thus combining the resilience of variational methods with the precision of more demanding fault-tolerant algorithms.

Photonic technologies are among the most promising platforms being pursued for quantum computing [5, 6, 7]. While their light footprint due to lower cryogenic requirements compared to other technologies has long lent itself to first demonstrations and proofs-of-concept in the field [8, 9, 10, 11, 12], these same advantages together with native networkability have also been leveraged to deliver detailed blueprints for large-scale fault-tolerant quantum computing [13, 14, 15, 16, 17, 18]. Photonic models have been crucial in the conceptualization [19] and early demonstrations of quantum computational advantages [20, 21]. Recent advances have also delivered powerful software tools [22] and cloud-accessible reprogrammable photonic quantum processors [9]. The latter provide an ideal testing ground for photonic quantum algorithms, in particular photonic VQAs.

VQAs share a common architecture: a parameterized quantum circuit (PQC) is executed to measure expectation values or probability distributions, which are then fed into a classical device to compute a cost function. The classical device employs an optimisation scheme to adjust the PQC parameters, aiming to minimize this cost function iteratively. Due to the inherent noise in NISQ devices, approximate gradient-based methods like finite differences are often unsuitable for VQAs as they are highly sensitive to noise and prone to inaccurate gradient estimation [23]. As a result, gradient-free optimisation methods, such as COBYLA and Nelder-Mead [24], are typically preferred for their robustness against noisy evaluations. However, gradient-free optimisers, while more robust against noise, often suffer from slow convergence, poor scalability, and a tendency to get stuck in local minima due to their lack of gradient information, making them inefficient for high-dimensional or complex op-

arXiv:2410.02726v1 [quant-ph] 3 Oct 2024

timisation landscapes.

For gate-based quantum circuits, a popular solution is the use of so-called parameter-shift rules (PSRs) [25, 26, 27, 28]. PSRs are methods that allow the exact computation of gradients of a loss function computed from a parameterized quantum circuit by evaluating multiple instances of the same circuit with shifted parameters and combining these evaluations in a structured way.

However, these techniques do not directly extend to the linear optical setting. Photonic quantum circuits are typically parameterized by tunable phase-shifters, represented in the Heisenberg picture by the map $M \mapsto e^{i\hat{n}\theta} M e^{-i\hat{n}\theta}$ where θ is the parameterized angle, \hat{n} is the number operator and M is an observable on the Fock space. Differentiating this operator with respect to θ yields $M \mapsto e^{i\hat{n}\theta} i[M, \hat{n}] e^{-i\hat{n}\theta}$, which is not unitary. This prevents it from being a physically realizable operation within linear optics on the same number of modes.

Here we bridge the gap by formalising a photonic parameter-shift rule, which provides an exact formula for computing the gradient of the expectation values of linear optical circuits in arbitrary states with a finite total number of photons. The method requires a number of circuit evaluations depending linearly on the number of input photons, each using the same parameterized photonic circuit with shifted parameters. We show analytically that the photonic PSR is robust to finite sampling noise, quantifying the advantage compared to finite difference methods: using the PSR can provide orders of magnitude improvement in the number of samples required to reach a given precision for estimating the gradient. We numerically validate our results by comparing its performance against widely used optimisation methods on two VQA tasks in the presence of partial distinguishability and finite sampling: a variational quantum eigensolver (VQE) and a quantum circuit born machine (QCBM). The latter features the adaptation of the shift rule to more complex loss functions appearing in machine learning, Kullback-Leibler divergence and Maximum Mean Discrepancy, showing the wide applicability of our method.

Prior work. In [29], the authors employ unitary dilation to address non-unitarity coming from differentiating the circuit into another linear optical circuit. However, this approach doubles the number of modes in the circuit and requires an additional single photon, deviating from the principle of parameter-shift rules, which rely on reusing the same circuit with shifted parameters. Moreover, the dilation method induces exponential costs in finite sampling, as amplitudes need to be rescaled. These constraints are particularly significant in the NISQ regime, where devices have limited size and capabilities.

Independent related work. We acknowledge the independent work of Facelli et al. [30] and Cimini et

al. [31] who recently presented a similar shift rule for linear optical circuits. The derivations both follow Wierich et al. [28] which gives a trigonometric expression of the shift rule. We express the derivative with the commutator, as in [26], and we obtain a more general characterisation, that does not make any assumptions about the observable, showing that photonic shift rules correspond to solutions of Equation (5). Other distinguishing aspects of our work include practical Hoeffding bounds for the number of samples in gradient estimation that do not require access to the moment generating function, extension of the photonic PSR to more complex loss functions, and the empirical comparison to gradient-free and finite difference methods, showing the robustness of the photonic PSR to both shot noise and photon distinguishability.

2 Computing exact gradients of linear optical circuits

In the context of VQAs, we consider cost functions built from expectation values of the form:

$$f(\theta) = \langle \psi | U^\dagger(\theta) M U(\theta) | \psi \rangle \quad (1)$$

where $|\psi\rangle$ is the quantum state on which the parameterized unitary U is applied with parameter θ and where the observable M is measured. Informally, the aim of PSRs is the exact computation of $\partial_\theta f$ from evaluation of f at shifted values.

2.1 Derivation of a photonic PSR

We now focus on expectation values coming from linear optical circuits. Let us set the optical circuit (a typical example is shown in Fig. 1) to be composed of m optical modes with n single photons at the input. That is, we work in the Fock space for n photons in m modes. The input state is assumed to be any state with total number of photons n , that is $|\psi\rangle \in \text{span}(\Phi_n^m) = \text{span}(\{|s_1, \dots, s_m\rangle \text{ with } \sum_{i=1}^m s_i = n\})$.

We consider a *single parameter* θ corresponding to the angle of a phase shifter in mode k .¹ In this case, the unitary representing the circuit can be written as $W_1 e^{i\hat{n}_k \theta} W_2$ where $W_{1,2}$ are linear optical unitaries independent of θ and \hat{n}_k is the number operator on mode k . Then we have that:

$$\begin{aligned} f(\theta) &= \langle \psi | W_2^\dagger e^{-i\hat{n}_k \theta} W_1^\dagger M W_1 e^{i\hat{n}_k \theta} W_2 | \psi \rangle \\ &= \langle \psi' | e^{-i\hat{n}_k \theta} M' e^{i\hat{n}_k \theta} | \psi' \rangle \end{aligned} \quad (2)$$

where $|\psi'\rangle = W_2 |\psi\rangle$ and $M' = W_1^\dagger M W_1$. We now drop the apostrophe for simplicity. By the product

¹The generalisation to multiple parameters is easily obtained by the chain rule.

rule, the derivative of f with respect to θ can be expressed as:

$$\partial_\theta f(\theta) = i \langle \psi | e^{-i\hat{n}_k\theta} [M, \hat{n}_k] e^{i\hat{n}_k\theta} | \psi \rangle \quad (3)$$

To obtain a valid PSR [26], we are looking for scalars $(c_p)_{p \in [0, P]} \in \mathbb{C}^P$ and angles $(\theta_p)_{p \in [0, P]} \in [0, 2\pi)^P$ for some integer $P \in \mathbb{N}^*$ such that:

$$i[M, \hat{n}_k] = \sum_{p=1}^P c_p e^{-i\hat{n}_k\theta_p} M e^{i\hat{n}_k\theta_p} \quad (4)$$

By ordering the Fock basis Φ_n^m such that we have first all states with 0 photons in mode k , then all states with 1 photon in mode k , etc., up to the states with n photons in mode k , the action of $e^{i\hat{n}_k\theta}$ can be represented on the Fock space by the following matrix:

$$\text{diag}(\underbrace{1, \dots, 1}_{0 \text{ photon in mode } k}, \underbrace{e^{i\theta}, \dots, e^{i\theta}}_{1 \text{ photon}}, \dots, \underbrace{e^{in\theta}, \dots, e^{in\theta}}_{n \text{ photons}}).$$

We also express M in the Fock basis with the same ordering and we write its coefficients $(m_{ij})_{i, j \in [0, C_n^{m+n-1}]}$ where C_k^n are the binomial coefficients.

We proceed by element-wise identification. We start by computing the matrix elements $([M, \hat{n}_k])_{lj}$ and $(e^{-i\hat{n}_k\nu} M e^{i\hat{n}_k\nu})_{lj}$:

$$([M, \hat{n}_k])_{lj} = ((n_k)_{jj} - (n_k)_{ll}) m_{lj}$$

$$(e^{-i\hat{n}_k\nu} M e^{i\hat{n}_k\nu})_{lj} = e^{i\nu((n_k)_{jj} - (n_k)_{ll})} m_{lj}.$$

and then we identify from Eq. 4:

$$\sum_{p=1}^P c_p e^{i\theta_p((n_k)_{jj} - (n_k)_{ll})} m_{lj} = i((n_k)_{jj} - (n_k)_{ll}) m_{lj}.$$

We can express $(n_k)_{jj}$ as a sequence $(a_j)_{j \in \mathbb{N}}$, where $a_j \in [0, n]$ is the number of photons in mode k of the j^{th} element of Φ_n^m . Since $a_j \in [0, n]$, we have $(a_j - a_l) \in [-n, n]$,

$$\sum_{p=1}^P c_p e^{i\theta_p(a_j - a_l)} m_{lj} = i(a_j - a_l) m_{lj}.$$

Given that the previous result holds for any observable M , we have:

$$\sum_{p=1}^P c_p e^{ij\theta_p} = ij, \quad \forall j \in [-n, n]. \quad (5)$$

The system Eq. (5) is overparameterized and we can thus derive multiple PSRs. One possible solution can be obtained by fixing the θ_p and solving the resulting linear system for a sufficiently large $P \in \mathbb{N}^*$. A canonical choice is to fix $P = 2n$ and the angles to

be $\theta_p = \frac{2\pi p}{2n+1}$. Let $\omega = e^{\frac{2i\pi}{2n+1}}$ – the $(2n+1)^{\text{th}}$ roots of unity. Eq. (5) can be rewritten as the following linear system:

$$\underbrace{\begin{bmatrix} 1 & 1 & 1 & \dots & 1 \\ 1 & \omega & \omega^2 & \dots & \omega^{2n} \\ \vdots & \vdots & \vdots & & \vdots \\ \vdots & \vdots & \vdots & & \vdots \\ 1 & \omega^{2n} & \omega^{2(2n)} & \dots & \omega^{2n(2n)} \end{bmatrix}}_{\text{DFT Matrix}} \times \begin{bmatrix} c_0 \\ c_1 \\ \vdots \\ c_n \\ c_{n+1} \\ \vdots \\ c_{2n} \end{bmatrix} = i \begin{bmatrix} 0 \\ 1 \\ \vdots \\ n \\ -n \\ \vdots \\ -1 \end{bmatrix}.$$

Solving the linear system for $(c_p)_p$, we get that they are the inverse DFT of $i(0, 1, \dots, n, -n, \dots, -1)^T$ with $c_0 = 0$. We thus obtain the following photonic PSR:

$$\begin{aligned} \partial_\theta f(\theta) &= \sum_{p=1}^{2n} c_p \langle \psi | e^{-i\hat{n}_k(\theta + \theta_p)} M e^{i\hat{n}_k(\theta + \theta_p)} | \psi \rangle \\ &= \sum_{p=1}^{2n} c_p f(\theta + \theta_p). \end{aligned} \quad (6)$$

Remark that Eq. (6) is an exact equation and not an approximation: through macroscopic shifts, the photonic PSR is able to capture the exact gradient. Our derivation requires two evaluations of the number of input photons per gradient computation. This straightforwardly extends to multiple parameter by combining individual photonic PSR.

We note that this is one possible photonic PSR with a choice of P and θ_p 's but one could derive other photonic PSRs as long as Eq. (5) is satisfied. It is an open question to know whether the solution based on the Fourier transform is optimal in the number of evaluations.

2.2 Robustness to finite-sampling

We denote by N_{PSR} the number of samples to estimate the gradient via the PSR with additive error ϵ and by N_{FD} the number of samples to estimate the gradient via the finite difference with an additive error $\epsilon + \Delta$ where Δ is the chosen stepsize.

We are interested in the number of samples needed to reach a given precision on the gradient for both the photonic PSR and finite differences. By applying Hoeffding's inequality to the two gradient estimators derived from the photonic PSR and finite difference methods, the number of samples required to reach the above precision for estimating the gradient obeys:

$$\frac{N_{\text{FD}}}{N_{\text{PSR}}} = \frac{4}{(\sum_{p=1}^P |c_p|)^2 \Delta^2}. \quad (7)$$

A full proof is provided in Appendix A.1.

Interestingly, this ratio depends only on Δ – the stepsize for finite difference – and $(\sum_{p=1}^P |c_p|)^2$ which is only determined by the number of photons in the

input state. We observe numerically that this quantity scales as n^α with $\alpha \leq 2.3$.

To put this result into context, considering only sampling noise and assuming the error from the Taylor approximation is negligible with $\Delta = 0.01$ (this is beneficial to finite-differences), achieving an additive error on the true gradient of 0.1 with at least 90% confidence for a 4-photon circuit would require approximately 26.5×10^3 samples to compute the gradient of one parameter using the photonic PSR. In contrast, using finite differences would necessitate around 24.0×10^6 samples – an improvement of three orders of magnitude.

2.3 Practical reduction of the number of evaluations

An important practical reduction of the number of evaluations of the photonic PSR can be achieved when considering the maximum number of photons that could travel through the tunable phase-shifter one wants to differentiate. Indeed, by a *light cone argument* (see Fig. 1), it is possible to bound the maximum number of photons travelling through a given phase-shifter and thus reduce the number of evaluations in accordance with Eq. (6).

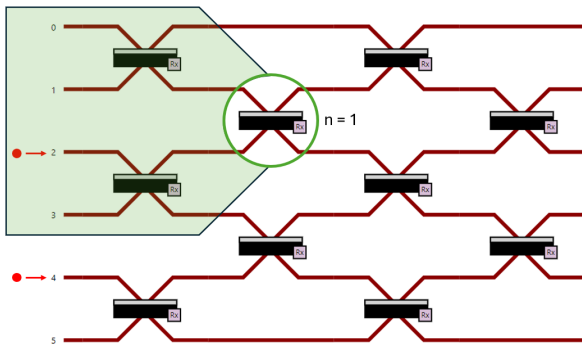


Figure 1: Example of a causal cone for a circuit with 6 modes and 2 single photons at input. In this example, to compute the gradient of the highlighted parameterized gate with the PSR, one would only need to evaluate 2 terms out of 4 terms. This is because only one photon is in the past light cone of the phase-shifter.

3 Applications to VQAs

3.1 VQE

We first compare gradient computations for a Variational Quantum Eigensolver (VQE) algorithm to compute the ground-state energies of an H_2 molecule [32]. A PQC produces an ansatz which is used to evaluate the energy of a given Hamiltonian, which is encoded in accordance with the ansatz. A classical optimisation method then iteratively updates the parameters

of the PQC to converge to the ground state energy of the Hamiltonian.

We choose this framework to showcase how gradient descent behaves when using a photonic parameter-shift rule for a well-known problem, where we can compare different optimization schemes. We use the 2-qubit circuit used in [3] for the quantum state preparation and the measurements with 8 tunable parameters. Note that, in this setting, the qubit-based parameter-shift rule [26, 25] works so it provides a good test case.

We denote by N the number of samples used to estimate one expectation value and HOM the indistinguishability (or Hong-Ou-Mandel visibility) of the photons. The HOM is a quantity between 0 and 1 where 1 indicates that the photons are perfectly indistinguishable (the ideal, noise-free case) and 0 when they are totally distinguishable (maximal noise where the photons behave classically). When we want to see the effect of finite sampling, we set N to 5000 as this is a realistic value for a NISQ type experiment. For partial distinguishability, we set $HOM = 0.9$ since this is a standard value for single-photon emitted from quantum dots [9].

The optimisers that we compare are:

- gradient descent using finite difference with step-size $\Delta = 0.01$.
- gradient descent using a photonic PSR.
- COBYLA [24], a gradient-free method.²

The results are summarized in Figure 2. We observe that, in the absence of finite sampling, finite differences and the PSR yield very similar results. This is expected since without finite sampling the gradient computed with finite differences is close to exact when choosing a small stepsize, which leads to very similar gradient descent runs. However, we can also observe that the introduction of finite sampling drastically affects finite differences as it was not possible to converge in a reasonable number of samples, while barely impacting the PSR or COBYLA. These results were expected given the theoretical results obtained in Section 2.2. Additionally, we can also observe that partial distinguishability error reduces the final precision obtained with all optimizers, with a greater effect on gradient-free optimizers such as COBYLA.

To obtain a more realistic simulation, we include both noise sources in the plot in Figure 2d highlighting the resilience to noise of gradient descent using a photonic PSR. Indeed, it combines the benefits of a sampling noise resistant gradient computation method, with a gradient descent algorithm that is seemingly more consistent than its gradient-free counterpart when introducing partial distinguishability.

²Other gradient-free methods such as Nelder-Mead were also tested, however they were excluded from Figure 2 for clarity, since they didn't provide any substantially different results.

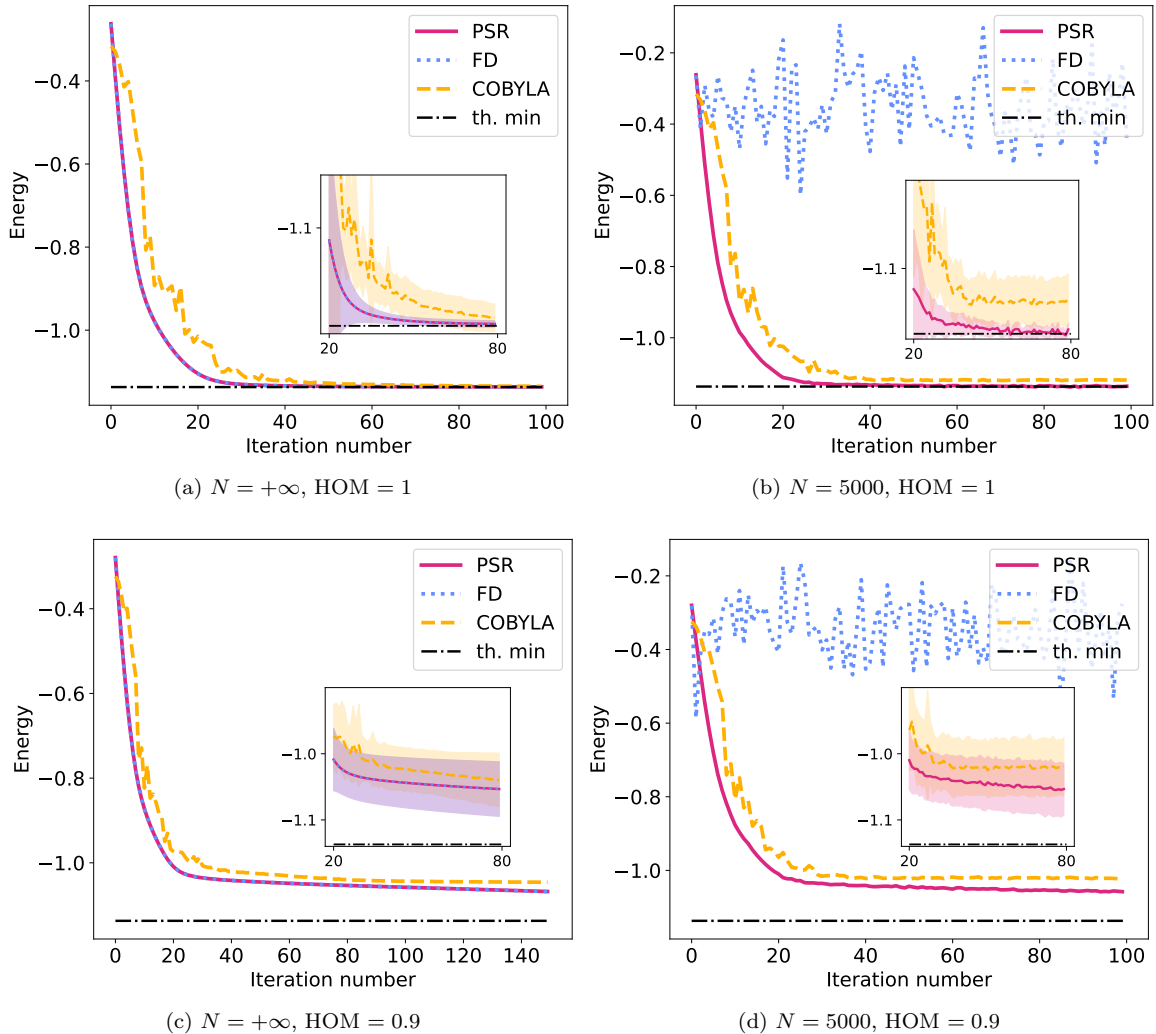


Figure 2: Evolution of the loss function on a simple example of VQE to estimate the ground state energy of the H_2 molecule with three different optimisation methods: gradient descents based on the photonic PSR (solid red), finite-differences (dotted blue) and the gradient-free method COBYLA (dashed yellow). The results are averaged over 10 different initial conditions, with the shaded regions in the inset plots representing the standard deviation. (a) No finite sampling, perfect indistinguishability. (b) 5000 samples, perfect indistinguishability. (c) No finite sampling, indistinguishability of 90%. (d) 5000 samples, indistinguishability of 90%.

3.2 QCBM

Here, we look at a photonic native problem where the usual qubit parameter-shift rule cannot be applied. We investigate how various optimisation schemes impact the learning in photonic Quantum Circuit Born Machines (QCBM) [33]. These generative learning models are well suited for NISQ hardware since they can be implemented on shallow circuits.

The goal of generative learning models is to learn the underlying distribution of a dataset and then generate new samples with similar properties to the training dataset. For the purposes of testing the optimisation scheme with the photonic PSR, the target probability distribution is known in advance in this work, and we try to best approach the known distribution. Of course this is not the case in practice, where the

models are intended to be used without knowing the target distribution.

Typically, QCBM use the Kullback-Leibler (KL) divergence or the Maximum Mean Discrepancy (MMD) as a loss function. Since they are not a linear sum of expectation values from the circuit, we need to adapt the photonic PSR. We show in Appendix A.2 how to reuse the photonic PSR from Eq. 6 to differentiate loss functions expressed with the KL divergence or MMD.

Gradient descent based on finite-differences is not realistic in the finite sampling regime, see Fig. 2 and, indeed, they were not converging in the simulations of QCBM. Instead, we implement gradient descent based on Simultaneous Perturbation Stochastic Approximation (SPSA) [34] which is more robust in the presence of shot noise [33]. The optimizers we com-

pared here are then:

- gradient descent using SPSA.
- gradient descent using a photonic PSR.
- COBYLA [24], a gradient-free method.

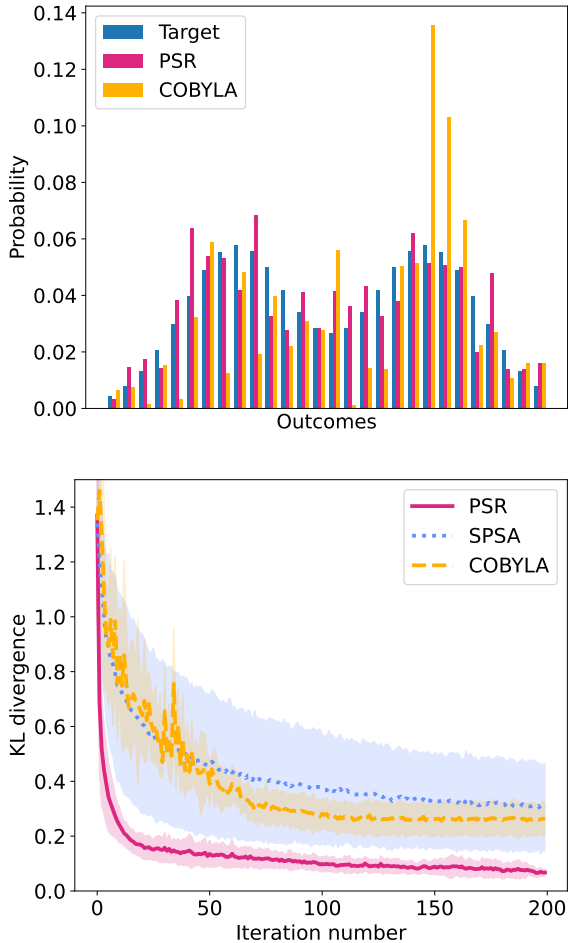


Figure 3: QCBM numerical experiment for learning a mixture of two Gaussians with a photonic circuit comprising $n = 3$ photons in $m = 8$ modes with 28 tunable parameters. We have set $N = 5000$ samples and $\text{HOM}=0.9$. (Top) Histogram obtained from the solutions based on the different optimisers and compared to the target distribution. (Bottom) Evolution of the KL divergence with different optimisation methods: PSR (solid red), SPSA (dotted blue) and COBYLA (dashed yellow). Averages are taken over 10 runs with different initial parameters and shaded areas represented one standard deviation.

The results are presented in Figure 3. The task is to learn a mixture of two Gaussian distributions. Above a reasonable number of samples, PSR gradient descent is barely affected by finite sampling, while COBYLA does suffer from a low number of samples. Here we have shown a run with 5000 samples

which is a typical number of samples in quantum machine learning applications. It appears from the standard deviation observed in the different figures that SPSA is less consistent compared to the other methods, which is intuitive given its stochastic nature. We conclude that gradient descent based on the photonic PSR provides the best precision and it converges in fewer iterations than the other methods.

4 Discussion

We derived a parameter-shift rule that enables gradient computation in linear optical systems. One of the advantages of our derivation is that it does not make any assumption about the observable; i.e. M is an arbitrary operator on the Fock space throughout this report. Translating our result to the Schrödinger picture, suppose that ρ is a mixed state with total number of photons n . The phase shifter acts as $e^{i\hat{n}\theta}\rho e^{-i\hat{n}\theta}$ and its derivative with respect to θ is given by $e^{i\hat{n}\theta}[\hat{n}, \rho]e^{-i\hat{n}\theta}$. From the photonic PSR, this state can be expressed as $\sum_{p=1}^{2n} c_p e^{i\hat{n}(\theta+\theta_p)}\rho e^{-i\hat{n}(\theta+\theta_p)}$. As a result, the photonic PSR can be used to compute the gradient with respect to a phase shifter of the outcome probabilities of an arbitrary quantum optical system with a bounded number of photons.

We have analysed two simple applications in quantum chemistry and machine learning. As the scale of the problems considered grows, the optimisation task will likely face high dimensional non-convex landscapes. This will necessitate going beyond l_2 geometry and finding improved metrics in optimisation methods such as quantum natural gradient descent [35].

Through Hoeffding bounds and numerical simulations, we demonstrated the improved performance achieved by the photonic PSR as compared to other gradient estimation methods, in the presence of both finite sampling and photon distinguishability. This opens the path to hardware demonstrations of VQAs with the photonic PSR in the NISQ era and beyond.

References

- [1] Ashley Montanaro. “Quantum algorithms: an overview”. *npj Quantum Information* **2**, 1–8 (2016).
- [2] M. Cerezo, Andrew Arrasmith, Ryan Babbush, Simon C. Benjamin, Suguru Endo, Keisuke Fujii, Jarrod R. McClean, Kosuke Mitarai, Xiao Yuan, Lukasz Cincio, and Patrick J. Coles. “Variational quantum algorithms”. *Nature Reviews Physics* **3**, 625–644 (2021).
- [3] Alberto Peruzzo, Jarrod McClean, Peter Shadbolt, Man-Hong Yung, Xiao-Qi Zhou, Peter J. Love, Alán Aspuru-Guzik, and Jeremy L.

- O'Brien. "A variational eigenvalue solver on a photonic quantum processor". *Nature Communications* **5** (2014).
- [4] A Yu Kitaev. "Quantum measurements and the abelian stabilizer problem" (1995).
- [5] Terry Rudolph. "Why i am optimistic about the silicon-photonic route to quantum computing". *APL photonics* **2** (2017).
- [6] Emanuele Pelucchi, Giorgos Fagas, Igor Aharonovich, Dirk Englund, Eden Figueroa, Qihuang Gong, Hübel Hannes, Jin Liu, Chao-Yang Lu, Nobuyuki Matsuda, et al. "The potential and global outlook of integrated photonics for quantum technologies". *Nature Reviews Physics* **4**, 194–208 (2022).
- [7] Juan M Arrazola, Ville Bergholm, Kamil Brádler, Thomas R Bromley, Matt J Collins, Ish Dhand, Alberto Fumagalli, Thomas Gerrits, Andrey Goussev, Lukas G Helt, et al. "Quantum circuits with many photons on a programmable nanophotonic chip". *Nature* **591**, 54–60 (2021).
- [8] Dik Bouwmeester, Jian-Wei Pan, Klaus Mattle, Manfred Eibl, Harald Weinfurter, and Anton Zeilinger. "Experimental quantum teleportation". *Nature* **390**, 575–579 (1997).
- [9] Nicolas Maring, Andreas Fyrrillas, Mathias Pont, Edouard Ivanov, Petr Stepanov, Nico Margaria, William Hease, Anton Pishchagin, Aristide Lemaître, Isabelle Sagnes, Thi Huong Au, Sébastien Boissier, Eric Bertasi, Aurélien Baert, Mario Valdivia, Marie Billard, Ozan Acar, Alexandre Brioussell, Rawad Mezher, Stephen C. Wein, Alexia Salavrakos, Patrick Sinnott, Dario A. Fioretto, Pierre-Emmanuel Emeriau, Nadia Belabas, Shane Mansfield, Pascale Senellart, Jean Senellart, and Niccolo Somaschi. "A versatile single-photon-based quantum computing platform". *Nature Photonics* **18**, 603–609 (2024).
- [10] Jueming Bao, Zhaorong Fu, Tanumoy Pramanik, Jun Mao, Yulin Chi, Yingkang Cao, Chonghao Zhai, Yifei Mao, Tianxiang Dai, Xiaojiong Chen, et al. "Very-large-scale integrated quantum graph photonics". *Nature Photonics* Pages 1–9 (2023).
- [11] Jeremy L O'Brien, Geoffrey J Pryde, Andrew G White, Timothy C Ralph, and David Branning. "Demonstration of an all-optical quantum controlled-not gate". *Nature* **426**, 264–267 (2003).
- [12] Philip Walther, Kevin J Resch, Terry Rudolph, Emmanuel Schenck, Harald Weinfurter, Vlatko Vedral, Markus Aspelmeyer, and Anton Zeilinger. "Experimental one-way quantum computing". *Nature* **434**, 169–176 (2005).
- [13] Ying Li, Peter C Humphreys, Gabriel J Mendoza, and Simon C Benjamin. "Resource costs for fault-tolerant linear optical quantum computing". *Physical Review X* **5**, 041007 (2015).
- [14] Daniel Herr, Alexandru Paler, Simon J Devitt, and Franco Nori. "A local and scalable lattice renormalization method for ballistic quantum computation". *npj Quantum Information* **4**, 27 (2018).
- [15] James M Auger, Hussain Anwar, Mercedes Gimeno-Segovia, Thomas M Stace, and Dan E Browne. "Fault-tolerant quantum computation with nondeterministic entangling gates". *Physical Review A* **97**, 030301 (2018).
- [16] Sara Bartolucci, Patrick Birchall, Hector Bombin, Hugo Cable, Chris Dawson, Mercedes Gimeno-Segovia, Eric Johnston, Konrad Kieling, Naomi Nickerson, Mihir Pant, et al. "Fusion-based quantum computation". *Nature Communications* **14**, 912 (2023).
- [17] Stefano Paesani and Benjamin J. Brown. "High-threshold quantum computing by fusing one-dimensional cluster states". *Phys. Rev. Lett.* **131**, 120603 (2023).
- [18] Grégoire de Gliniasty, Paul Hilaire, Pierre-Emmanuel Emeriau, Stephen C. Wein, Alexia Salavrakos, and Shane Mansfield. "A Spin-Optical Quantum Computing Architecture". *Quantum* **8**, 1423 (2024).
- [19] Scott Aaronson and Alex Arkhipov. "The computational complexity of linear optics" (2010). [arXiv:1011.3245](https://arxiv.org/abs/1011.3245).
- [20] Han-Sen Zhong, Hui Wang, Yu-Hao Deng, Ming-Cheng Chen, Li-Chao Peng, Yi-Han Luo, Jian Qin, Dian Wu, Xing Ding, Yi Hu, Peng Hu, Xiaoyan Yang, Wei-Jun Zhang, Hao Li, Yuxuan Li, Xiao Jiang, Lin Gan, Guangwen Yang, Lixing You, Zhen Wang, Li Li, Nai-Le Liu, Chao-Yang Lu, and Jian-Wei Pan. "Quantum computational advantage using photons". *Science* **370**, 1460–1463 (2020).
- [21] Lars S. Madsen, Fabian Laudenbach, Mohsen Falamarzi Askarani, Fabien Rortais, Trevor Vincent, Jacob F. F. Bulmer, Filippo M. Miatto, Leonhard Neuhaus, Lukas G. Helt, Matthew J. Collins, Adriana E. Lita, Thomas Gerrits, Sae Woo Nam, Varun D. Vaidya, Matteo Menotti, Ish Dhand, Zachary Vernon, Nicolás Quesada, and Jonathan Lavoie. "Quantum computational advantage with a programmable photonic processor". *Nature* **606**, 75–81 (2022).
- [22] Nicolas Heurtel, Andreas Fyrrillas, Grégoire de Gliniasty, Raphaël Le Bihan, Sébastien Malherbe, Marceau Pailhas, Eric Bertasi, Boris

- Bourdoncle, Pierre-Emmanuel Emeriau, Rawad Mezher, Luka Music, Nadia Belabas, Benoit Valiron, Pascale Senellart, Shane Mansfield, and Jean Senellart. “Perceval: A Software Platform for Discrete Variable Photonic Quantum Computing”. *Quantum* **7**, 931 (2023).
- [23] Fabien Dumont. “Analysis of some finite difference schemes for slightly noisy time dependent signals” (March 2015).
- [24] M. Powell. “A view of algorithms for optimization without derivatives” (2007).
- [25] Kosuke Mitarai, Makoto Negoro, Masahiro Kitagawa, and Keisuke Fujii. “Quantum circuit learning”. *Physical Review A* **98**, 032309 (2018).
- [26] Maria Schuld, Ville Bergholm, Christian Gogolin, Josh Izaac, and Nathan Killoran. “Evaluating analytic gradients on quantum hardware”. *Physical Review A* **99**, 032331 (2019).
- [27] Gavin E Crooks. “Gradients of parameterized quantum gates using the parameter-shift rule and gate decomposition” (2019).
- [28] David Wierichs, Josh Izaac, Cody Wang, and Cedric Yen-Yu Lin. “General parameter-shift rules for quantum gradients”. *Quantum* **6**, 677 (2022).
- [29] Giovanni de Felice and Christopher Cortlett. “Differentiation of linear optical circuits” (2024). [arXiv:2401.07997](https://arxiv.org/abs/2401.07997).
- [30] Giorgio Facelli, David D Roberts, Hugo Wallner, Alexander Makarovskiy, Zoë Holmes, and William R Clements. “Exact gradients for linear optics with single photons” (2024).
- [31] Valeria Cimini, Mauro Valeri, Simone Piacentini, Francesco Ceccarelli, Giacomo Corrielli, Roberto Osellame, Nicolò Spagnolo, and Fabio Sciarrino. “Variational quantum algorithm for experimental photonic multiparameter estimation”. *npj Quantum Information* **10**, 26 (2024).
- [32] J. I. Colless, V. V. Ramasesh, D. Dahlen, M. S. Blok, M. E. Kimchi-Schwartz, J. R. McClean, J. Carter, W. A. de Jong, and I. Siddiqi. “Computation of molecular spectra on a quantum processor with an error-resilient algorithm”. *Phys. Rev. X* **8**, 011021 (2018).
- [33] Alexia Salavrakos, Tigran Sedrakyan, James Mills, and Rawad Mezher. “An error-mitigated photonic quantum circuit born machine” (2024). [arXiv:2405.02277](https://arxiv.org/abs/2405.02277).
- [34] J.C. Spall. “Multivariate stochastic approximation using a simultaneous perturbation gradient approximation”. *IEEE Transactions on Automatic Control* **37**, 332–341 (1992).
- [35] James Stokes, Josh Izaac, Nathan Killoran, and Giuseppe Carleo. “Quantum natural gradient”. *Quantum* **4**, 269 (2020).
- [36] S. Kullback and R. A. Leibler. “On Information and Sufficiency”. *The Annals of Mathematical Statistics* **22**, 79 – 86 (1951).
- [37] Jin-Guo Liu and Lei Wang. “Differentiable learning of quantum circuit born machines”. *Physical Review A* **98** (2018).
- [38] Brian Coyle, Daniel Mills, Vincent Danos, and Elham Kashefi. “The born supremacy: quantum advantage and training of an ising born machine”. *npj Quantum Information* **6** (2020).
- [39] Arthur Gretton, Karsten M. Borgwardt, Malte J. Rasch, Bernhard Schölkopf, and Alexander Smola. “A kernel two-sample test”. *Journal of Machine Learning Research* **13**, 723–773 (2012).
- [40] Arthur Gretton, Karsten Borgwardt, Malte J. Rasch, Bernhard Scholkopf, and Alexander J. Smola. “A kernel method for the two-sample problem” (2008). [arXiv:0805.2368](https://arxiv.org/abs/0805.2368).

A Appendices

A.1 Comparison of the number of samples

We recall that the $f(\theta) = \langle \psi | U^\dagger(\theta) \hat{M} U(\theta) | \psi \rangle$ and that we are interested in computing $\partial_\theta f$. In this section, we want to obtain an upper bound on the error generated by finite sampling when computing the gradient with finite differences and with a photonic PSR.

We prove here that the number of samples required to reach the same precision for estimating the gradient obey:

$$\frac{N_{\text{FD}}}{N_{\text{PSR}}} = \frac{4}{(\sum_{p=1}^P |c_p|)^2 \Delta^2}, \quad (8)$$

where we note N_{PSR} the number of samples to estimate the gradient via the PSR and N_{FD} the number of samples via the finite difference. Δ is the chosen stepsize for the finite difference.

We can start by recalling Hoeffding's inequality. Let X_1, \dots, X_n be n independent random variables such that $a_i \leq X_i \leq b_i$ almost surely (i.e. we have that $\mathbb{P}(a_i \leq X_i \leq b_i) = 1$). If we then consider their sum $S_n = X_1 + \dots + X_n$, Hoeffding's inequality bounds the probability on getting an estimate with additive error $\varepsilon > 0$:

$$\mathbb{P}(|S_n - \mathbb{E}[S_n]| \geq \varepsilon) \leq 2 \exp\left(\frac{-2t^2}{\sum_{i=1}^n (b_i - a_i)^2}\right). \quad (9)$$

Fix the target additive error $\varepsilon > 0$. Let $\{\lambda_j\}_{j \in \llbracket 1, J \rrbracket}$ be the J eigenvalues of the observable \hat{M} and $|\phi_j\rangle$ as the associated eigenstates. Since the range of the estimator plays a crucial role in Hoeffding's inequality, we note $\lambda = \max_j |\lambda_j|$. We can rewrite f as:

$$f(\theta) = \sum_{j=1}^J \lambda_j |\langle \phi_j | U(\theta) | \psi \rangle|^2. \quad (10)$$

Let N the total number of samples used for the estimate. Let $(X_k(\theta))_{k \in \llbracket 1, N \rrbracket}$ be N independent random variables such that $X_k(\theta) = \frac{\lambda_j}{N}$ if the k^{th} sample is measured in state $|\phi_j\rangle$, and following the probability distribution $\mathbb{P}(X_k(\theta) = \frac{\lambda_j}{N}) = |\langle \phi_j | U(\theta) | \psi \rangle|^2$. Also $\forall k, -\frac{\lambda}{N} \leq X_k(\theta) \leq \frac{\lambda}{N}$.

We define:

$$S_N(\theta) = \sum_{k=1}^N X_k(\theta), \quad (11)$$

and since

$$\mathbb{E}[X_k(\theta)] = \frac{1}{N} \sum_{j=1}^J \lambda_j |\langle \phi_j | U(\theta) | \psi \rangle|^2, \quad (12)$$

we have

$$\begin{aligned} \mathbb{E}[S_N(\theta)] &= \frac{1}{N} \sum_{k=1}^N \sum_{j=1}^J \lambda_j |\langle \phi_j | U(\theta) | \psi \rangle|^2 \\ &= \sum_{j=1}^J \lambda_j |\langle \phi_j | U(\theta) | \psi \rangle|^2 \\ &= f(\theta). \end{aligned} \quad (13)$$

This allows us to express $f(\theta)$ as an expectation value of a sum of independent random variables, and therefore to use Hoeffding's inequality to quantify the noise generated by finite sampling.

Finite differences. Using finite differences, with a stepsize Δ , we define:

$$Df(\theta, \Delta) := \frac{f(\theta + \Delta) - f(\theta)}{\Delta} \underset{\Delta \rightarrow 0}{=} \partial_\theta f(\theta). \quad (14)$$

Let a new random variable $Y_k(\theta, \Delta) = X_k(\theta + \Delta) - X_k(\theta)$ and its sum $T_N(\theta, \Delta) := \sum_{k=1}^N Y_k(\theta, \Delta)$. Since all $X_k(\theta)$ and $X_k(\theta + \Delta)$ are independent, using Equation (13), we have:

$$Df(\theta, \Delta) = \frac{1}{\Delta} \mathbb{E}[T_N(\theta, \Delta)]. \quad (15)$$

We have $-\frac{2\lambda}{N} \leq Y_k(\theta, \Delta) \leq \frac{2\lambda}{N}$, $\forall k$. Using Hoeffding's inequality and Equation 15 we obtain the following for any $t > 0$:

$$\begin{aligned} \mathbb{P}\left(\left|\frac{1}{\Delta}T_N(\theta, \Delta) - Df(\theta, \Delta)\right| \geq \varepsilon\right) &= \mathbb{P}\left(\left|T_N(\theta, \Delta) - \mathbb{E}[T_N(\theta, \Delta)]\right| \geq \Delta\varepsilon\right) \\ &\leq 2 \exp\left(-\frac{2(\Delta\varepsilon)^2}{\sum_{k=1}^N \left(\frac{4\lambda}{N}\right)^2}\right) \\ &\leq 2 \exp\left(-\frac{\Delta^2\varepsilon^2 N}{8\lambda^2}\right). \end{aligned} \quad (16)$$

PSR. When using the parameter-shift rule obtained in Eq. (6) in its most general form, we have:

$$\partial_\theta f(\theta) = \sum_{p=1}^P c_p f(\theta + \theta_p). \quad (17)$$

Similarly as in the finite differences case, we define a new random variable $Z_k(\theta) = \sum_{p=1}^P c_p X_k(\theta + \theta_p)$ and their sum:

$$\begin{aligned} R_N(\theta) &:= \sum_{k=1}^N Z_k(\theta) = \sum_{k=1}^N \sum_{p=1}^P c_p X_k(\theta + \theta_p) \\ &= \sum_{p=1}^P c_p S_N(\theta + \theta_p). \end{aligned} \quad (18)$$

Then:

$$\mathbb{E}[R_N(\theta)] = \partial_\theta f(\theta). \quad (19)$$

Because $-\frac{\sum_{p=1}^P |c_p|\lambda}{N} \leq Z_k(\theta) \leq \frac{\sum_{p=1}^P |c_p|\lambda}{N}$ $\forall k$, we can apply Hoeffding's inequality:

$$\mathbb{P}\left(\left|R_N(\theta) - \partial_\theta f(\theta)\right| \geq t\right) \leq 2 \exp\left(\frac{-t^2 N}{2\lambda^2 \left(\sum_{p=1}^P |c_p|\right)^2}\right). \quad (20)$$

Comparison. We can inverse both upper bounds to obtain the number of samples required to guarantee a given precision with a certain probability. We write Λ the desired upper bound of the probability in both cases:

$$\begin{aligned} N_{FD} &= -\frac{8\lambda^2 \ln(\Lambda/2)}{t^2 \Delta^2} \\ N_{PSR} &= -\frac{2\lambda^2 (\sum_{p=1}^P |c_p|)^2 \ln(\Lambda/2)}{t^2}. \end{aligned} \quad (21)$$

Therefore:

$$\frac{N_{FD}}{N_{PSR}} = \frac{4}{(\sum_{p=1}^P |c_p|)^2 \Delta^2}. \quad (22)$$

A.2 Adaptation of the photonic PSR to typical loss functions

A.2.1 Kullback-Leibler divergence

The Kullback-Leibler (KL) divergence [36] is often used as a loss function in quantum machine learning applications. We recall its expression. Given two probability distributions Q and T defined on a sample space \mathcal{X} :

$$D_{KL}(Q||T) = \sum_{x \in \mathcal{X}} Q(x) \log\left(\frac{Q(x)}{T(x)}\right). \quad (23)$$

In our case, the first distribution Q is given by the outputs of the QCBM circuit so $Q(x)$ is an expectation value at point x , while T is the target distribution. To obtain the full gradient, we can simply compute the gradient for one parameter at a time. Hence, we can fix all but one parameter θ . The KL divergence then becomes:

$$D_{KL}(\theta, T) = \sum_{x \in \chi} Q_\theta(x) \log \left(\frac{Q_\theta(x)}{T(x)} \right). \quad (24)$$

The PSR found in Equation 6 cannot be applied directly since it is not linear in a quantum expectation value. However, it can still be used in a very similar manner. Indeed:

$$\partial_\theta D_{KL}(\theta, T) = \sum_{x \in \chi} \partial_\theta Q_\theta(x) \left(T(x) + \log \left(\frac{Q_\theta(x)}{T(x)} \right) \right). \quad (25)$$

One can use the PSR to compute $\partial_\theta Q_\theta(x)$. Typically, $Q_\theta(x)$ can be expressed as:

$$Q_\theta(x) = \langle \psi | U^\dagger(\theta) | \hat{x} \rangle \langle \hat{x} | U(\theta) | \psi \rangle, \quad (26)$$

with $|\psi\rangle$ the input state, $U(\theta)$ a photonic PQC with a single tunable phase shifter and with $|\hat{x}\rangle$ the state associated to the event x . We can apply the PSR to $Q_\theta(x)$:

$$\partial_\theta Q_\theta(x) = \sum_{p=1}^P c_p Q_{\theta+\theta_p}(x). \quad (27)$$

Thus we can write:

$$\partial_\theta D_{KL}(\theta, T) = \sum_{p=1}^P \sum_{x \in \chi} c_p Q_{\theta+\theta_p}(x) \left(T(x) + \log \left(\frac{Q_\theta(x)}{T(x)} \right) \right). \quad (28)$$

We can note that by fixing the θ_p to the n^{th} root of the unity, both the θ_p and the c_p 's only depend on the number of photons.

A.2.2 Maximum Mean Discrepancy

Another cost function commonly used for QCBM [37, 38] is the Maximum Mean Discrepancy (MMD) [39]. We recall its definition. Given sample spaces χ and \mathcal{F} , Q and T two probability distributions on χ and a feature map ϕ such that for any random variables $x \in \chi$, we have $\phi(x) \in \mathcal{F}$, we define the MMD as follows:

$$\begin{aligned} \mathcal{L}_{\text{MMD}}(Q, T) &= \left\| \mathbb{E}_{x \sim Q} [\phi(x)] - \mathbb{E}_{y \sim T} [\phi(y)] \right\|_{\mathcal{F}}^2 \\ &= \langle \mathbb{E}_{x \sim Q} [\phi(x)] - \mathbb{E}_{y \sim T} [\phi(y)], \mathbb{E}_{x \sim Q} [\phi(x)] - \mathbb{E}_{y \sim T} [\phi(y)] \rangle_{\mathcal{F}}, \end{aligned} \quad (29)$$

which is the distance between the feature means of Q and T . By linearity, we have:

$$\langle \mathbb{E}_{x \sim Q} [\phi(x)], \mathbb{E}_{y \sim T} [\phi(y)] \rangle_{\mathcal{F}} = \mathbb{E}_{\substack{x \sim Q \\ y \sim T}} [\langle \phi(x), \phi(y) \rangle_{\mathcal{F}}]. \quad (30)$$

Then we define a kernel function k such that $k(x, y) = \langle \phi(x), \phi(y) \rangle_{\mathcal{F}}$ and we write $\mu_Q = \mathbb{E}_{x \sim Q} [\phi(x)]$ for clarity. We fix T the target distribution and Q_θ the output of the QCBM with a single parameter (the generalisation being obtained by linearity). We can develop \mathcal{L}_{MMD} as:

$$\begin{aligned} \mathcal{L}_{\text{MMD}}(\theta) &= \langle \mu_{Q_\theta}, \mu_{Q_\theta} \rangle - 2 \langle \mu_{Q_\theta}, \mu_T \rangle + \langle \mu_T, \mu_T \rangle \\ &= \mathbb{E}_{x, y \sim Q_\theta} [k(x, y)] + \mathbb{E}_{x, y \sim T} [k(x, y)] - 2 \mathbb{E}_{\substack{x \sim Q_\theta \\ y \sim T}} [k(x, y)] \\ &= \sum_{x, y \in \chi} k(x, y) Q_\theta(x) Q_\theta(y) + \sum_{x, y \in \chi} k(x, y) T(x) T(y) - 2 \sum_{x, y \in \chi} k(x, y) Q_\theta(x) T(y), \end{aligned} \quad (31)$$

Once again, the photonic PSR cannot be applied directly, but similarly to A.2.2 one can express the derivative $\partial_\theta \mathcal{L}_{\text{MMD}}(\theta)$ with respect to $\partial_\theta Q_\theta$ and use the photonic PSR on the latter:

$$\partial_{\theta} \mathcal{L}_{\text{MMD}}(\theta) = \sum_{x,y \in \mathcal{X}} k(x,y) [\partial_{\theta} Q_{\theta}(x) Q_{\theta}(y) + Q_{\theta}(x) \partial_{\theta} Q_{\theta}(y)] - 2 \sum_{x,y \in \mathcal{X}} k(x,y) \partial_{\theta} Q_{\theta}(x) T(y). \quad (32)$$

Since k is symmetric, one can write:

$$\partial_{\theta} \mathcal{L}_{\text{MMD}}(\theta) = 2 \sum_{x,y \in \mathcal{X}} k(x,y) \partial_{\theta} Q_{\theta}(x) Q_{\theta}(y) - 2 \sum_{x,y \in \mathcal{X}} k(x,y) \partial_{\theta} Q_{\theta}(x) T(y). \quad (33)$$

Then we apply a photonic PSR to compute $\partial_{\theta} Q_{\theta}(x)$. The gradient of the MMD cost function can be expressed as:

$$\begin{aligned} \partial_{\theta} \mathcal{L}_{\text{MMD}}(\theta) &= 2 \sum_{p=1}^P c_p \left(\sum_{x,y \in \mathcal{X}} k(x,y) Q_{\theta+\theta_p}(x) Q_{\theta}(y) - 2 \sum_{x,y \in \mathcal{X}} k(x,y) Q_{\theta+\theta_p}(x) T(y) \right) \\ &= 2 \sum_{p=1}^P c_p \left(\mathbb{E}_{\substack{x \sim Q_{\theta+\theta_p} \\ y \sim Q_{\theta}}} [k(x,y)] - \mathbb{E}_{\substack{x \sim Q_{\theta+\theta_p} \\ y \sim T}} [k(x,y)] \right). \end{aligned} \quad (34)$$

If \mathcal{L}_{MMD} is parameterized by more than one parameter, the formula can easily be generalized by using the presented derivation on all parameters.

Regarding the choice for the kernel function k , we decided to use the Gaussian mixture kernel in this work:

$$k(x,y) = \frac{1}{c} \sum_{i=1}^c \exp -\frac{\|x-y\|^2}{2\sigma_i}. \quad (35)$$

This is a popular choice, that reveals the difference between two distributions under various scales. The MMD loss with this kernel function guarantees that it approaches zero asymptotically if and only if the model's distribution exactly matches the target distribution [39],[40].