

# Simulating Dense Small Cell Networks

Pedro Alvarez, Carlo Galiotto, Jonathan van de Belt, Danny Finn, Hamed Ahmadi, Luiz DaSilva  
CONNECT - The Centre for Future Networks and Communications, Trinity College, Dublin, Ireland  
{pinheirp, galiotc, vandebej, finnda, ahmadih, dasilval}@tcd.ie.

**Abstract**—Through massive deployment of additional small cell infrastructure, Dense Small cell Networks (DSNs) are expected to help meet the foreseen increase in traffic demand on cellular networks. Performance assessment of architectural and protocol solutions tailored to DSNs will require system and network level simulators that can appropriately model the complex interference environment found in those networks. This paper identifies the main features of DSN simulators, and guides the reader in the selection of an appropriate simulator for their desired investigations. We extend our discussion with a comparison of representative DSN simulators.

## I. INTRODUCTION

In modern mobile networks, the accepted definition of Heterogeneous Networks (HetNet) has gradually evolved toward extreme network densification. Researchers, equipment vendors, and network operators are counting on the massive deployment of small cells as a key coping strategy for the foreseen data tsunami. The high throughput gain offered by the addition of these low-power base stations is hoped to provide a solution that is efficient in terms of energy, spectrum and cost. Nonetheless, technological advances always go hand in hand with new technical challenges.

As illustrated in Figure 1, Dense Small cell Networks (DSNs) are characterized by massive small cell deployments which enable the operator to offload low-mobility user traffic away from the macrocell network. Despite the clear advantages of these networks, their high density can potentially result in high inter-cell interference, bottlenecks in the backhaul and increased energy consumption. To address these challenges, international and European research projects have begun exploring flexible network architecture designs and user-cell association procedures.

Due to the scale of these scenarios, simulation is an essential tool for investigating potential DSN solutions. The main contribution of this paper is in identifying and assessing the tradeoffs among the main simulation approaches for the performance assessment of DSNs. Our considerations include, firstly, the choice of the best starting point, whether it be commencing from scratch or extending existing simulators (and if so, which ones?) taking into account the investigation requirements; secondly, supported features, e.g. implemented backhaul protocols or support for interference suppressing receivers; and thirdly, practical considerations such as ease-of-use, extensibility and run time.

We compare a representative set of DSN simulators looking at popular openly available system- and network-level simulators, as well as an in-house-built system level simulator with reduced functionality but more specific DSN focus.

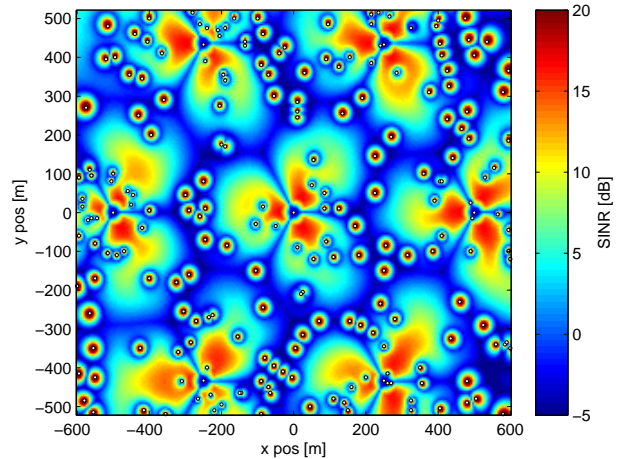


Fig. 1. SINR distribution in a dense heterogeneous deployment.

## II. SIMULATOR TYPES

DSN Simulators are generally categorised as either link, system or network level, shown in Figure 2. The implementation of simulators depends on the layer(s) of the protocol stack on which they focus.

**Link Level (LL) simulation** tends to examine the performance of Physical layer (PHY) functionality, usually for a single link between two wireless transceivers. To obtain accurate single-link Block Error Rate (BLER) statistics, LL simulators usually implement all blocks of the PHY in detail with minimal abstraction. In the DSN context, LL simulators can be used to compute the BLER curves for system and network level simulators, which rely on link level abstraction to simulate the PHY.

When studying complex systems consisting of several base stations and user terminals, **System Level (SL) simulators** are preferred to LL due to their reduced simulation times. SL simulators enable the assessment of coverage, spectral efficiency, and throughput in wireless networks, taking into account interference generated by neighbouring evolved Node Base stations (eNBs) or User Equipments (UEs). SL simulators are also suitable for studying how Radio Resource Management (RRM) and interference coordination techniques perform and how potential solutions scale with the size of the network.

In contrast to SL simulators, which tend to be protocol-agnostic and focus on the air interface, **Network Level (NL) simulators** are designed to facilitate investigations into specific protocols and their interactions with the upper and lower layers. Moreover, by treating base stations as network entities capable of exchanging messages between one another, NL simulators can model and assess DSN backhaul issues.

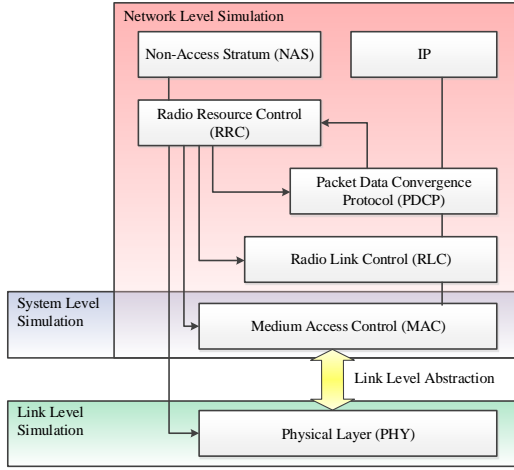


Fig. 2. Mapping between simulator types and the layers of the LTE protocol stack. The groupings shown represent our general view and are not necessarily the case for *all* simulator implementations or investigations.

### III. ANALYSIS OF DESIRED FEATURES FOR DSN SIMULATION

In this section we first outline some important technical features and functionalities necessary for Dense Small cell Network simulation. We then examine several operational requirements for using and implementing these in simulators.

#### A. Technical Features

There are many technical features that should be implemented to simulate a wide range of DSNs scenarios with a high degree of accuracy. We consider some of the most important ones below.

1) *Link Level Abstraction*: Full implementation of all links at bit-level would impose a heavy computational burden on system level and network level simulators, especially when the number of links to simulate grows large. To deal with this problem, link level abstraction is used, also known as a Link-to-System (L2S) interface. Subband Signal to Interference and Noise Ratios (SINRs) are mapped to a single effective SINR, from which the expected BLER can be computed. Combined with knowledge of the used Modulation and Coding Scheme (MCS) and bandwidth, this allows the determination of the number of successfully transmitted bits within each time frame. To map the effective SINR to the corresponding BLER, a set of curves (one corresponding to each MCS) are obtained from LL simulations.

Mutual Information Effective SINR Mapping (MIESM) is commonly used in L2S interfacing to compute the effective SINR because it is known to achieve better performance than most other techniques [1]. Less computationally intensive methods such as the modified Shannon capacity formula [2] also exist for computing UEs' data rates in Long Term Evolution (LTE) systems. However, these methods often reduce the accuracy of the L2S due to their higher level of abstraction.

The L2S interface is of particular importance to DSNs if one needs to implement interference cancellation or multi-antenna

transmission techniques. As these techniques work at the PHY level, a more detailed PHY abstraction provides more accurate simulation results.

2) *Interference Suppressing Receivers*: As the network topology develops toward a more numerous, heterogeneous deployment of nodes, interference becomes a critical issue.

Hence, the implementation of interference cancellation and suppression techniques will be essential for DSN applications.

Many linear interference suppressing receivers exist, some focusing on the suppression of interference between different spatial layers (Zero-Forcing (ZF), Minimum Mean Squared Error (MMSE)), others on reducing inter-cell interference from neighboring cells (Interference Rejection Combining (IRC)).

Several interference suppression techniques make use of multiple receive antennas, combining their signals to isolate the desired signal from interference and noise. Hence, this is closely linked to the Multiple Input Multiple Output (MIMO) implementation of the simulator.

3) *Spectrum Reuse and Inter-cell Interference Coordination*: One of the first strategies adopted to avoid interference between adjacent cells was to limit the reuse of spectrum; less interference is caused using higher spectrum reuse factors. However, this implies lower spectral efficiency in the network. Hence, the choice of spectrum reuse factor is subject to a trade-off between mitigating interference and spectral efficiency.

Re-examining spectrum reuse factors may be necessary for DSNs, as interference among neighbouring cells tends to increase with the density of base stations. For instance, LTE has been designed to work with both low reuse factors (e.g., 1) and Fractional Frequency Reuse (FFR) in macrocell scenarios; however, it is likely that the reuse factor for DSNs will increase as a function of the cell density. Moreover, given that cells in DSNs are likely to have an irregular spatial deployment, it is not possible to use standard spectrum reuse patterns developed for hexagonal macrocells grids. Simulators should allow variation of the spectrum assignment and reuse strategies depending on the cell density and distribution patterns.

There are several other mechanisms in which interference coordination can be carried out. For example, power control strategies and Coordinated Multi-Point transmission and reception (CoMP) can be considered as interference coordination techniques.

4) *Traffic types*: Both the volume of traffic and the number of traffic service types is expected to grow hugely in DSNs where heterogeneous devices and technologies coexist [3].

If the volume of users does not increase at the same rate as the cell density, the average number of users per base station will tend to decrease. We can then infer that the smaller the size of the cell, the more dynamic the traffic will be, meaning that smaller cells might switch between active (i.e., users to serve) and inactive states frequently. This will cause time variations in the interference generated by the cell. For this reason, SINR distributions, which are usually obtained assuming full buffer traffic, will not give a full picture of network performance and should be complemented with other metrics, such as user perceived rate [4].

Hence, simulators should accurately model various traffic types such as video uploading, video streaming, Voice over IP (VoIP), machine-type communications, online multiplayer gaming traffic, while also providing the ability to generate new traffic services.

5) *Scheduling*: Scheduling algorithms play an essential role in optimizing different aspects of network performance, such as cell throughput or Quality-of-Service (QoS) of UEs. The choice of simulator to use for scheduler testing will depend on both the metrics to optimize and the types of feedback available for scheduler decisions, e.g. Channel State Information (CSI).

SL and NL simulators should support schedulers for various traffic types, such as full-buffer and finite-buffer traffic. Common full-buffer scheduling implementations include Round Robin (RR) and channel-aware scheduling such as Proportional Fair (PF), Best Channel Quality Indicator (B-CQI) and Max-Min Throughput. For finite-buffer traffic additional scheduling methods exist, such as channel-and-QoS aware scheduling and priority set scheduling for users with and without guaranteed bit rate.

6) *Upper layers*: Packets usually go through many protocol layers before reaching their final destination. These layers, due to flow control and/or Automatic Repeat ReQuest (ARQ) mechanisms, will influence the delay and the amount of traffic transmitted through the air interface, which affects the user-perceived performance. For this reason, modeling these mechanisms is important when simulating DSNs. Moreover, to simulate some aspects of the network, such as handover performance, connection establishment times, performance of backhaul traffic, etc., functionality above the Medium Access Control (MAC) layer is required.

While system level simulators usually model only up to the MAC layer, network level simulators allow the user to investigate the system all the way up to the application layer.

7) *Backhaul*: In Dense Small cell Networks, multiple base stations are connected to the core network through many heterogeneous backhaul technologies such as point-to-point fiber links, Passive Optical Networks (PONs), Digital Subscriber Line (DSL), microwave relays, etc. Frequently, studies of mobile networks assume an ideal backhaul, in which the fixed links have no delay or bandwidth limitations. In practice, the capacity and latency of the backhaul are constrained and this can degrade the performance of the wireless network, especially when there is cooperation between base stations. Usually the design of the backhaul network is made independently from the wireless network.

However, the co-design of the wireless and optical networks in an integrated manner can improve the utilization of both. This is particularly true of DSNs, where, due to the large number of base stations, technologies other than point-to-point links (e.g., CoMP) should also be considered.

To study these issues, DSN simulators must be able to model the backhaul and additional transport technologies such as simple point-to-point links or PONs. Due to the lack of higher layer protocols in system level simulators, network level

simulators are better suited for this task.

8) *Emulation*: Even though simulation can give us valuable insights into the network performance, these do not replace practical prototyping with actual testbeds. Unfortunately, designing a full system is a complex task, not feasible in many research centers. For this reason, an important feature a simulator might have is the capability to connect to real hardware, while emulating other parts of the network.

## B. Operational Considerations

In addition to the technical requirements outlined above, DSN operational considerations should also be taken into account, with a view towards verification and validation. In particular, we consider how easily users can set up and run a (dense network) simulation, making use of already supported functionalities. Additionally, it is important that users can extend simulators and develop new features to study previously unsupported scenarios. To arrive at an objective assessment of these considerations, we highlight some ease-of-use and extensibility indicators.

1) *Prerequisite Knowledge*: The prerequisite knowledge necessary to use a simulator greatly affects its ease-of-use and can be a reason to prefer one simulator over another, due to a better understanding of how particular parts of the system are modelled, and due to experience in the programming language or design employed by the simulator. Depending on users' previous experience, the programming language and design of a simulator can simplify usage and understanding.

Regarding the programming skill required for different simulators, this is more a function of the programming language used and the design patterns applied than of the algorithmic implementation of the simulator. When comparing the languages of different simulators, interpreted languages such as Python and MATLAB are often easier to use than compiled languages such as C and C++, due to dynamic typing, automatic memory management and other benefits; however there is a performance trade-off.

2) *Documentation*: Without proper documentation, learning how to use a new tool can be a daunting task. Documentation can be provided in the form of explanatory publications containing system block diagrams and listings of exposed parameters, through user guides and tutorials aimed at aiding the user to set up, configure and examine their simulations, or through interactive websites aimed at explaining the details and reasoning behind each simulator feature. Documentation generators such as Doxygen or Javadoc can also be used to create documentation automatically from source code comments. This enables users to check the purpose of classes and functions and simplifies code navigation.

3) *User Community and Active Forum*: A helpful user community with an active forum can accelerate simulator familiarisation and clarify documentation ambiguities. The size of the community greatly influences the level of feedback. A large community increases confidence in underlying simulator functionality, as problems are more likely to be discovered.

Open access to simulator source code allows the user community to correct errors and extend functionality. The ability of community members to independently distribute these extensions (open source) can greatly accelerate the rate at which new functionality develops and enables faster correction of inconsistencies.

4) *Network Deployment Scenarios*: Simulation setup can be accelerated significantly depending on whether simulators support desired scenarios already. Standardized scenarios such as those defined by the 3<sup>rd</sup> Generation Partnership Program (3GPP) allow easy verification, isolation of unique features and enable fair comparison of algorithms, protocols, and technologies for DSNs. It is also important to consider whether a simulator supports the level of accuracy required for the scenarios chosen.

Ideally, simulators should facilitate easy extension of pre-defined scenarios, and the development of new scenarios; and be implemented in such a manner that parameter changes do not result in incompatibilities.

5) *Structure and Modularity*: When designing a complex system, a key concept that the designer must bear in mind is its structure and modularity. By isolating modules according to their functionality, basic components can be made re-usable and their maintenance made easier. Modularity also enables simulator extension by facilitating the development of new components.

As DSNs become more complex, the concept of modularity becomes increasingly important. In these scenarios, a single node may have multiple radio access technology interfaces, and the ability of a node to switch transmissions between one technology and another is facilitated by a modular design.

#### IV. COMPARATIVE ANALYSIS

In this section, we compare three simulators regarding their suitability to Dense Small cell Networks from technical and operational perspectives. Furthermore, we provide a numerical comparison of the scalability of these simulators to DSN scenarios.

##### A. Representative simulators

For this comparison we have chosen three simulators, the *Vienna SL simulator* for LTE downlink [5], the NL *ns-3* LTE module [6] and an in-house-built SL simulator, which we will refer to as *HetDenSim*. All three simulators are designed for LTE, which we consider to be a good baseline for DSN simulations. No LL simulator was selected, as DSNs focus on large network – rather than single link – interactions.

*HetDenSim* targets Heterogeneous Networks (HetNets) and large networks of small and macro cells. It was designed with time and frequency domain based RRM techniques in mind and is particularly suited to coverage, SINR statistics, and expected throughput investigations in dense networks. *HetDenSim*'s populous small cell network design emphasis makes it a well-suited tool for DSN simulations.

The Vienna SL simulator, which is freely licensed for academic use, has been designed to assess both Homogeneous

and Heterogeneous LTE network deployments. The Vienna SL simulator implements the PHY with a low level of abstraction and therefore, from the DSN perspective, provides a powerful means of testing techniques which require detailed PHY implementation, such as MIMO.

*ns-3* is an open source general purpose NL simulator for both wired and wireless networks; we will mainly refer to the LTE module for *ns-3* [6]. Given its extensible nature, *ns-3* can provide a viable DSN simulation environment.

##### B. Technical Comparison

In this section we compare the chosen simulators in terms of the required technical features we have identified in Section III-A; this comparison is summarized in Table I.

The Vienna SL simulator has been designed to simulate the Radio Access Network (RAN) of LTE and is particularly suited to assess physical layer techniques for interference suppression/mitigation from a system level perspective. In fact, the physical layer abstraction of the Vienna simulator and the SINR computation aid the implementation of additional linear interference suppressing receiver types, since the signal, interference and noise components of the SINR can all be exposed individually and the receive filter response can be applied to each to obtain the post-equalisation SINR.

The LTE module for the *ns-3* simulator has been designed with the purpose of evaluating radio level performance and end-to-end QoS of LTE networks. Due to its modularity and event-driven nature, *ns-3* is suited to study a wide range scenarios. For example, it is easy to implement non-full buffer traffic models, making it a good tool to study QoS-aware scheduling algorithms. Also, due to the implementation of diverse backhaul technologies and core protocols of LTE, it can be used to investigate Inter Cell Interference Coordination (ICIC) mechanisms without the assumption of perfect backhaul, handover performance and optical-wireless integration issues. Furthermore, it is possible to emulate the EPC using this simulator, due to the *ns-3* emulation capabilities [11].

As opposed to the Vienna SL simulator and *ns-3*, *HetDenSim* has been designed with the purpose of reducing the required simulation time, specifically for large and dense networks. To achieve this, *HetDenSim* implements a physical layer model with a higher level of abstraction (i.e., Shannon capacity formula). This speeds up large network simulations at the cost of limitations to algorithms and techniques that require detailed PHY abstraction.

##### C. Operational Comparison

As shown in table I, the Vienna SL simulator and *HetDenSim* are programmed in MATLAB, while *ns-3* is designed using C++. Users with limited programming experience may find Vienna SL and *HetDenSim* faster to learn because of

<sup>1</sup>From scholar.google.com 30/10/2014.

<sup>2</sup>For the month 30/09/2014 to 30/10/2014. For Vienna SL all forum posts of the thread "System Level Questions" between these dates are included. As *ns-3* is broader than just LTE only posts containing the keywords "LTE" or "LENA" are included.

TABLE I  
COMPARATIVE ANALYSIS

Technical Feature	Vienna SL	ns-3	HetDenSim
Link-level abstraction	MIESM, maps effective SINR to BLER, from curves obtained from LL simulator [7]	MIESM, maps effective SINR to BLER, from curves obtained from LL simulator [7]	Modified Shannon capacity [2] for UEs' data rates
Interference Suppressing Receivers	Only ZF; however additional linear types can be created. MIMO transmissions form a central design feature of this simulator in general	Linear and non-linear receivers implemented as sets of predefined modifications to the SINR curves to reduce complexity[8]	Not supported
Frequency Reuse	Hard frequency reuse and FFR for macrocell in hexagonal grid	Hard, strict, soft, soft fractional, enhanced and distributed fractional frequency reuse	Hard frequency reuse and FFR for macrocell in hexagonal grid and Frequency Aloha [9] for small cells
Channel model (fast fading)	ITU Pedestrian A, ITU Pedestrian B, ITU Extended Pedestrian B, ITU Typical Urban, ITU Vehicular A, ITU Vehicular B, Winner II+-based	ITU Pedestrian A, ITU Pedestrian B, ITU Extended Pedestrian B, ITU Typical Urban, ITU Vehicular A, ITU Vehicular B	Not supported
Traffic Types	Supports full buffer, VoIP, video and several others but models all inter-cell interference as full buffer traffic	Full buffer, constant bit rate, voice traffic, trace-based video traffic, can be extended to additional traffic models easily	Full buffer only
Scheduling	Full buffer traffic scheduling (RR and Channel-aware such as PF, B-CQI, and Max-Min throughput)	Full buffer traffic scheduling (RR, PF, B-CQI, and Max-Min throughput) and Channel and QoS-aware and Priority Set scheduling for non-full buffer traffic	Full buffer traffic scheduling (RR, PF, and B-CQI)
Upper Layers	Outside simulator scope	Radio Link Control (RLC), Packet Data Convergence Protocol (PDCP), Radio Resource Control (RRC) and other core network protocols when operated with the Evolved Packet Core (EPC)	Outside simulator scope
Backhaul	Outside simulator scope	Simulate EPC and additional transport technologies such as point-to-point links or PONs [10]	Outside simulator scope
Emulation	Not considered in design	Considered in design	Not considered in design
<b>Operational Feature</b>			
Coding Language	MATLAB	C++	MATLAB
No. of primary publication citations <sup>1</sup>	243 [5]	39 [6]	5
No. of forum posts within a month <sup>2</sup>	28	114	No forum
Licensing	Free of charge for academic use	Open Source (GPL)	Proprietary
Automatic code testing scripts	Limited	Yes	Limited
Automatic documentation generation	No	Doxygen	No

this. However, this comes at the cost of processing speed. C++ usage is often regarded as more complex, since users need to deal with a number of details that MATLAB handles transparently, e.g. memory management. Nonetheless, ns-3 makes use of many advanced design patterns, such as smart pointers, object factories, and functors [12].

Documentation is provided for the Vienna SL simulator as explanatory publications (e.g. [5]). For the ns-3 LTE module, besides [6], additional documentation is available in the form of a model guide, which explains the details and reasoning behind each simulator feature, and a user guide to aid users in running simulations. Extra documentation for ns-3 is automatically generated from source code comments using Doxygen. This enables users to check the purpose of classes and functions and simplifies code navigation.

To quantify the community size and activity, some key metrics for the Vienna SL simulator [5] and the LTE module for ns-3 [6] are outlined in the table. HetDenSim does not have a forum due to its proprietary nature. Interestingly, while the main Vienna SL publication is more cited, the ns-3 LTE

module forum receives much more activity.

The Vienna SL simulator supports a wide range of predefined scenarios, mostly in keeping with the 3GPP standards. It is possible to define other scenarios, although use of non-default parameter combinations can often result in incompatibilities. The NL simulator ns-3 offers a higher level of flexibility. Some predefined scenarios exist, but it is easy to create new scenarios and develop or replace elements of scenarios. HetDenSim has been designed with DSN scenarios in mind, and though it is possible to simulate other scenarios, it might be necessary to create the features required for new scenarios.

The illustrative simulators chosen are designed in a modular and Object Oriented Programming (OOP) fashion. Vienna SL and HetDenSim are focused on LTE, making it difficult to support other technologies. On the other hand, ns-3 was developed as a general purpose simulator and thus naturally supports other technologies, such as 802.11.

<sup>3</sup>Fast fading is not performed by HetDenSim.

TABLE II  
SIMULATION PARAMETERS AND HARDWARE CONFIGURATION

Parameter	Value
Macro eNB deployment	57 macro eNB hexagonal grid, 3GPP case 1 [13, Table A.2.1.1-1]
Pico eNB deployment	Outdoor RRH/Hotzone, 3GPP case 6.2 [13, Table A.2.1.1.2-2], {0, 1, 2, 3, 4, 5} pico eNBs per macro eNB
UE deployment	3420 UEs uniformly distributed
Propagation model	3GPP Model 1 [13, Table A.2.1.1.2-3]
Fast fading <sup>3</sup>	Rayleigh Fading (Pedestrian B)
UE Speed	3 Km/h
Macro eNB antenna pattern/gain	Directional antenna, 3GPP model [13, Table A.2.1.1-2] / 14 dBi
Pico eNB antenna pattern/ gain	Omnidirectional / 5 dBi
UE antenna pattern/ gain	Isotropic / 0 dBi
Bandwidth	10 MHz
Carrier Frequency	2.1 GHz
Frequency reuse	Full reuse 1
Traffic	Full buffer
Scheduler	Round Robin
Simulation length	250 TTIs
Hardware	Value
Processor	GenuineIntel i7-4930K CPU@3.4GHz [Family 6, Model 62, Stepping 4]
RAM	16 GB

#### D. Scalability for DSNs

To assess the suitability of the selected simulators for large scale network simulation, this section tests how simulation times scale with network size. We investigate the 3GPP system level scenario for simulation of heterogeneous deployments [13]. The main parameters are reported in Table II.

In Fig. 3, we show the run times of each simulator as we increase the density of low power nodes (i.e. picocells) per macrocell sector. The simulation time of HetDenSim is shown to be between 65 and 100 times less than that of ns-3, and between 85 and 115 less than that of Vienna SL. Moreover, HetDenSim's simulation times scale less steeply with network size than those of ns-3 or Vienna SL. This is attributed to the design of HetDenSim, which makes simplifying assumptions on the L2S interface, to speed up simulations.

The lengthy simulation times of Vienna SL and ns-3 stem mostly from the detailed L2S interface, which despite slowing down the simulations, makes it possible to investigate effects of many MIMO techniques and fast-fading effects which are not modeled in HetDenSim. A few points should be noted; firstly, while Vienna SL and HetDenSim only simulate the downlink, ns-3 also incorporates the uplink, thus increasing its run times. Secondly, for a fair comparison, the EPC was not enabled in ns-3. The programming language in which the simulators were written will also significantly affect the simulation duration. The more lightweight C++ (in which ns-3 is written) is generally faster than MATLAB (used for Vienna SL and HetDenSim).

This example demonstrates the tradeoff between simulation speed, ease-of-use, and the range, precision and types of supported functionalities, when choosing a simulator. If we target experiments on interference mitigation techniques, requiring an L2S interface with a low level of abstraction, then the



Fig. 3. How simulation time varies with small cell deployment density.

choice should aim toward an SL simulator, such as the Vienna SL. Alternatively, if we need to assess RRM algorithms for large networks, then simulators with a less intensive PHY implementation like HetDenSim would be beneficial in terms of shorter simulation time. If our aim is to investigate end-to-end QoS, different traffic types, or the impact of the backhaul in the system, an NL simulator such as ns-3 is most suitable.

#### V. CONCLUSION

There is no single answer to the question "How should DSNs be simulated?". The answer will be determined by a set of required technical functionalities and practical considerations, specific to the investigation itself. To facilitate readers in answering this question for DSNs, this work has provided targeted discussion of simulator types and desired features, and comparative analysis of some DSN-applicable simulators.

#### REFERENCES

- [1] K. Brueninghaus *et al.*, "Link Performance Models for System Level Simulations of Broadband Radio Access Systems," in *IEEE PIMRC'05*.
- [2] P. Mogensen *et al.*, "LTE Capacity Compared to the Shannon Bound," in *IEEE VTC2007-Spring*.
- [3] S. Auroux *et al.*, "CROWD Dynamic Network Reconfiguration in Wireless DenseNets," in *EuCNC*, 2014.
- [4] J. Andrews, "Seven ways that hetnets are a cellular paradigm shift," *Communications Magazine, IEEE*, vol. 51, no. 3, March 2013.
- [5] J. C. Ikuno, M. Wrulich, and M. Rupp, "System Level Simulation of LTE Networks," in *IEEE VTC2010-Spring*.
- [6] G. Piro, N. Baldo, and M. Miozzo, "An LTE module for the ns-3 network simulator," in *SIMUTools '11*.
- [7] C. Mehlführer *et al.*, "The Vienna LTE simulators - Enabling reproducibility in wireless communications research," *EURASIP Journal on Advances in Signal Processing*, no. 1, Jul. 2011.
- [8] S. Catreux, L. Greenstein, and V. Erceg, "Some results and insights on the performance gains of MIMO systems," *IEEE Journal on Selected Areas in Communications*, vol. 21, no. 5, Jun. 2003.
- [9] V. Chandrasekhar and J. G. Andrews, "Spectrum allocation in tiered cellular networks," *IEEE Transaction on Communications*, vol. 57, no. 10, October 2009.
- [10] X. Wu *et al.*, "An XG-PON module for the ns-3 network simulator," in *SIMUTools '13*.
- [11] R. Gupta *et al.*, "Labview based platform for prototyping dense lte networks in crowd project," in *Networks and Communications (EuCNC), 2014 European Conference on*, 2014.
- [12] A. Alexandrescu, *Modern C++ Design: Generic Programming and Design Patterns Applied*. Addison Wesley, 2001.
- [13] 3GPP TR 36.814, "Further Advancements for E-UTRA Physical Layer Aspects," Tech. Rep., 2010.