

STRONGLY STABLE IDEALS AND HILBERT POLYNOMIALS

DAVIDE ALBERELLI AND PAOLO LELLA

ABSTRACT. The `StronglyStableIdeals` package for *Macaulay2* provides a method to compute all saturated strongly stable ideals in a given polynomial ring with a fixed Hilbert polynomial. A description of the main method and auxiliary tools is given.

INTRODUCTION

Strongly stable ideals are a key tool in commutative algebra and algebraic geometry. These ideals have nice combinatorial properties that make them well suited for both theoretical and computational applications. In the case of polynomial rings with coefficients in a field of characteristic zero, the notion of strongly stable ideals coincides with the notion of Borel-fixed ideals. Such ideals are fixed by the action of the Borel subgroup of triangular matrices and play a special role in theory of Gröbner bases because initial ideals in generic coordinates are of this type [Gal74].

In the context of parameter spaces of algebraic varieties, Galligo's theorem says that each component and each intersection of components of a Hilbert scheme contains at least a point corresponding to a scheme defined by a Borel-fixed ideal. Hence, these ideals are distributed throughout the Hilbert scheme and can be used to study its local structure. To this aim, in recent years several authors [LR11, CR11, BCLR13, LR16, BCR17a, BCR17b] developed algorithmic methods based on the use of strongly stable ideals to construct flat families corresponding to special loci of the Hilbert scheme. In particular, a new open cover of the Hilbert scheme has been defined using strongly stable ideals and the action of the projective linear group [BLR13, BLMR16]. In this construction, the list of all points corresponding to Borel-fixed ideals in a given Hilbert scheme is needed. The main feature of the package `StronglyStableIdeals` is a method to compute this set of points, i.e. the list of all saturated strongly stable ideals in a polynomial ring with a given Hilbert polynomial. The method has been theoretically introduced in [CLMR11] and improved in [Lel12]. Several other tools are developed and presented in the paper.

1. STRONGLY STABLE IDEALS

Let us denote by $\mathbb{K}[\mathbf{x}]$ the polynomial ring in $n + 1$ variables $\mathbb{K}[x_0, \dots, x_n]$ with coefficients in a field \mathbb{K} . We assume $x_0 > x_1 > \dots > x_n$. We use the multi-index notation to describe monomials, i.e. for every $\boldsymbol{\alpha} = (\alpha_0, \dots, \alpha_n) \in \mathbb{Z}_{\geq 0}^{n+1}$, $\mathbf{x}^\alpha := x_0^{\alpha_0} \cdots x_n^{\alpha_n}$ and we denote by $\mathbb{T}_{n,s}$ the set of monomials of $\mathbb{K}[\mathbf{x}]$ of degree s . For any monomial \mathbf{x}^α , we denote by $\min \mathbf{x}^\alpha$ and $\max \mathbf{x}^\alpha$ the indices of minimal and maximal variable dividing \mathbf{x}^α .

Following [Gre10], *increasing* and *decreasing elementary moves* are defined as the multiplications

$$e_i^+(\mathbf{x}^\alpha) := \frac{x_{i-1}}{x_i} \cdot \mathbf{x}^\alpha, \quad i > 0 \quad \text{and} \quad e_j^-(\mathbf{x}^\alpha) := \frac{x_{j+1}}{x_j} \cdot \mathbf{x}^\alpha, \quad j < n.$$

We say that an elementary move $e_i^{+/-}$ is *admissible* for a monomial \mathbf{x}^α if $\alpha_i > 0$, i.e. $e_i^{+/-}(\mathbf{x}^\alpha)$ is a monomial of $\mathbb{K}[\mathbf{x}]$.

Definition 1.1. An ideal $I \subset \mathbb{K}[\mathbf{x}]$ is called *strongly stable* if

- (i) I is a monomial ideal;
- (ii) for every $\mathbf{x}^\alpha \in I$ and for every admissible increasing move e_i^+ , the monomial $e_i^+(\mathbf{x}^\alpha)$ is contained in I .

We recall that a strongly stable ideal is a Borel-fixed ideal. We now summarize some properties holding in general for Borel-fixed ideals and useful in this context.

Proposition 1.2 ([Gre10, Section 2]). *Let $I \subset \mathbb{K}[\mathbf{x}]$ be a strongly stable ideal.*

- (i) *The regularity of I is equal to the maximal degree of a generator.*
- (ii) *Let \mathfrak{m} be the irrelevant ideal of $\mathbb{K}[\mathbf{x}]$. Then, $(I : \mathfrak{m}) = (I : x_n)$, so that the ideal I is saturated if no generator involves the last variable x_n .*
- (iii) *The last variable x_n is a regular element for I , i.e. the multiplication by x_n induces the short exact sequence*

$$0 \longrightarrow \mathbb{K}[\mathbf{x}]_I(t-1) \xrightarrow{\cdot x_n} \mathbb{K}[\mathbf{x}]_I(t) \longrightarrow \mathbb{K}[\mathbf{x}]_{(x_n, I)}(t) \longrightarrow 0.$$

2010 *Mathematics Subject Classification.* 13P10, 13P99.

Key words and phrases. Strongly stable ideal, Borel-fixed ideal, Hilbert polynomial, Gotzmann number, Hilbert scheme.

The second author is a member of GNSAGA.

2. HILBERT POLYNOMIALS

The Hilbert polynomial $p(t)$ of a homogeneous ideal $I \subset \mathbb{K}[\mathbf{x}]$ is the numerical polynomial such that for s sufficiently large

$$\dim_{\mathbb{K}} \left(\mathbb{K}[\mathbf{x}]_s / I \right) = \dim_{\mathbb{K}} \left(\mathbb{K}[\mathbf{x}]_s / I_s \right) = \binom{n+s}{n} - \dim_{\mathbb{K}} I_s = p(s).$$

Obviously, not every numerical polynomial is a Hilbert polynomial of some homogeneous ideal. Those being Hilbert polynomials have been completely described by Gotzmann [Got78].

Gotzmann's decomposition. *A numerical polynomial $p(t) \in \mathbb{Q}[t]$ is a Hilbert polynomial if, and only if, it can be written as*

$$(1) \quad p(t) = \binom{n+a_1}{a_1} + \binom{n+a_2-1}{a_2} + \dots + \binom{n+a_r-(r-1)}{a_r}, \quad a_1 \geq a_2 \geq \dots \geq a_r \geq 0.$$

This decomposition is strictly related to Macaulay's decomposition

$$p(t) = \sum_{k=0}^d \left[\binom{t+k}{k+1} - \binom{t+k-m_k}{k+1} \right]$$

where $d = \deg p(t)$. For all $n \geq d+1$ the saturated lexicographic ideal in $\mathbb{K}[x_0, \dots, x_n]$ with Hilbert polynomial $p(t)$ is

$$(x_0, \dots, x_{n-d-2}, x_{n-d-1}^{b_d+1}, x_{n-d-1}^{b_d} x_{n-d}^{b_{d-1}+1}, \dots, x_{n-d-1}^{b_d} x_{n-d}^{b_{d-1}} \dots x_{n-1}^{b_0}),$$

where

$$b_d = \#\{a_j \mid a_j = d\} = m_d \quad \text{and} \quad b_k = \#\{a_j \mid a_j = k\} = m_k - m_{k+1}, \quad 0 \leq k < d.$$

The description of the lexicographic ideal in terms of Gotzmann's decomposition gives an insight of the following theorem.

Gotzmann's Regularity Theorem. *The regularity of a saturated ideal $I \subset \mathbb{K}[\mathbf{x}]$ with Hilbert polynomial $p(t)$ is at most r , where r is the number of terms in the decomposition (1) and it is called Gotzmann number of $p(t)$.*

Example 2.1. The package *StronglyStableIdeals* provides the method `isHilbertPolynomial` to determine if a numerical polynomial is a Hilbert polynomial.

```
Macaulay2, version 1.11
with packages: ConwayPolynomials, Elimination, IntegralClosure, InverseSystems, LLBases,
               PrimaryDecomposition, ReesAlgebra, TangentCone

i1 : loadPackage "StronglyStableIdeals";
i2 : QQ[t];
i3 : isHilbertPolynomial (4*t)
o3 = true
i4 : isHilbertPolynomial (5*t-6)
o4 = false
```

Gotzmann's and Macaulay's decompositions of a Hilbert polynomial can be computed with the methods `gotzmannDecomposition` and `macaulayDecomposition`. These methods return the list of terms in the decompositions. The summand $\binom{t+e}{c}$ is constructed with the command `projectiveHilbertPolynomial(c,c-e)`.

```
i5 : gotzmannDecomposition (4*t)
o5 = {P_1, - P_0 + P_1, - 2*P_0 + P_1, - 3*P_0 + P_1, P_0, P_0}
o5 : List
i6 : macaulayDecomposition (4*t)
o6 = {- P_0 + P_1, 7*P_0 - P_1, - P_1 + P_2, - 10*P_0 + 5*P_1 - P_2}
o6 : List
```

Finally, the saturated lexicographic ideal L with Hilbert polynomial $p(t)$ in the polynomial ring $\mathbb{K}[\mathbf{x}]$ can be computed with the method `lexIdeal` and its regularity is equal to the Gotzmann number of $p(t)$.

```
i7 : L = lexIdeal (4*t, QQ[x,y,z,w])
o7 = ideal (x^5, y^4, y^2 z^2)
o7 : Ideal of QQ[x, y, z, w]
i8 : regularity L == gotzmannNumber (4*t)
o8 = true
```

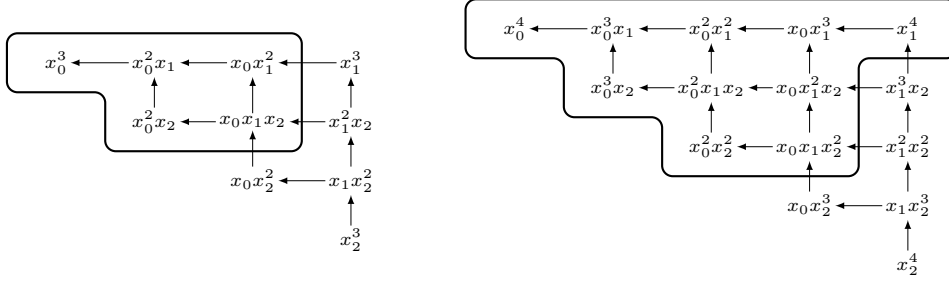


FIGURE 1. The Borel sets defined in $\mathbb{T}_{2,3}$ and $\mathbb{T}_{2,4}$ by the ideal $(x_0^2, x_0x_1, x_1^4) \subset \mathbb{K}[x_0, x_1, x_2]$.

3. THE MAIN ALGORITHM

In this section, we outline the strategy of the main algorithm. This algorithm was firstly described in [CLMR11] and then optimized in [Lei12]. The same problem has been previously discussed in [Ree92] and an alternative algorithm was later presented in [MN14].

We need to relate the properties of a strongly stable ideal with its Hilbert polynomial. If I is a strongly stable ideal, for each $s \in \mathbb{N}$ the monomial basis of the homogeneous piece I_s of the ideal is a subset of $\mathbb{T}_{n,s}$ closed by increasing elementary moves. We call *Borel sets* such subsets of $\mathbb{T}_{n,s}$ (see Figure 1 for an example). Proposition 1.2(i) implies that the monomial basis of I_s for a saturated strongly stable ideal $I \subset \mathbb{K}[\mathbf{x}]$ with Hilbert polynomial $p(t)$ and regularity at most s is a Borel set with $q(s) := \binom{n+s}{n} - p(s)$ elements. Thus, we consider the following map

$$(2) \quad \left\{ \begin{array}{l} \text{saturated strongly stable ideals in } \mathbb{K}[\mathbf{x}] \text{ with} \\ \text{Hilbert polynomial } p(t) \text{ and regularity } \leq s \end{array} \right\} \hookrightarrow \left\{ \begin{array}{l} \text{Borel sets of } \mathbb{T}_{n,s} \\ \text{with } q(s) \text{ elements} \end{array} \right\}.$$

Moreover, Gotzmann's Regularity Theorem suggests to consider s equal to the Gotzmann number of $p(t)$ to determine all saturated strongly stable ideals with Hilbert polynomial $p(t)$. Obviously, there are many Borel sets in $\mathbb{T}_{n,s}$ with $q(s)$ elements not corresponding to an ideal with Hilbert polynomial $p(t)$. To identify the image of the previous map, we recall a definition and a proposition by Mall.

Definition 3.1 ([Mal97, Definition 2.7]). Let $B \subset \mathbb{T}_{n,s}$ be a Borel set. The set $B^{(i)} := \{\mathbf{x}^\alpha \in B \mid \min \alpha = n - i\}$ is called *i-growth class* of B . The sequence $\text{gv}(B) := (|B^{(0)}|, \dots, |B^{(n)}|)$ is called *growth vector* of B .

Proposition 3.2 ([Mal97, Proposition 3.2]). Let $I \subset \mathbb{K}[\mathbf{x}]$ be a strongly stable ideal generated by the monomials of a Borel set $B \subset \mathbb{T}_{n,s}$ and let $p(t)$ be its Hilbert polynomial. Then,

$$(3) \quad p(t) = \binom{n+t}{n} - \sum_{k=0}^n |B^{(k)}| \binom{k+t-s}{k}, \quad \forall t \geq s.$$

We can use this result to determine the growth vector of a Borel set $B \subset \mathbb{T}_{n,s}$ starting from the Hilbert polynomial. The i -th difference polynomial of $p(t)$ is

$$(\Delta^i p)(t) = (\Delta^{i-1} p)(t) - (\Delta^{i-1} p)(t-1) = \binom{n+t-i}{n-i} - \sum_{k=i}^n |B^{(k)}| \binom{k+t-s-i}{k-i}.$$

Evaluating these identities at $t = s$, we obtain the linear system

$$(4) \quad \begin{cases} \sum_{k=0}^n |B^{(k)}| = \binom{n+s}{n} - p(s) \\ \vdots \\ \sum_{k=i}^n |B^{(k)}| = \binom{n+s-i}{n-i} - (\Delta^i p)(s) \\ \vdots \\ |B^{(n)}| = \binom{s}{0} - (\Delta^n p)(s) \end{cases}$$

whose solution is

$$|B^{(i)}| = \sum_{k=i}^n |B^{(k)}| - \sum_{k=i+1}^n |B^{(k)}| = \binom{n+s-i-1}{n-i} - (\Delta^i p)(s) + (\Delta^{i+1} p)(s), \quad i < n$$

and $|B^{(n)}| = 1$ (recall that $(\Delta^i p)(t) \equiv 0$ for $i > \deg p(t)$ and $\deg p(t) < n$). Let us call *growth vector* of $p(t)$ in degree s the solution of the linear system (4) and let us denote it by $\text{gv}_s(p(t))$.

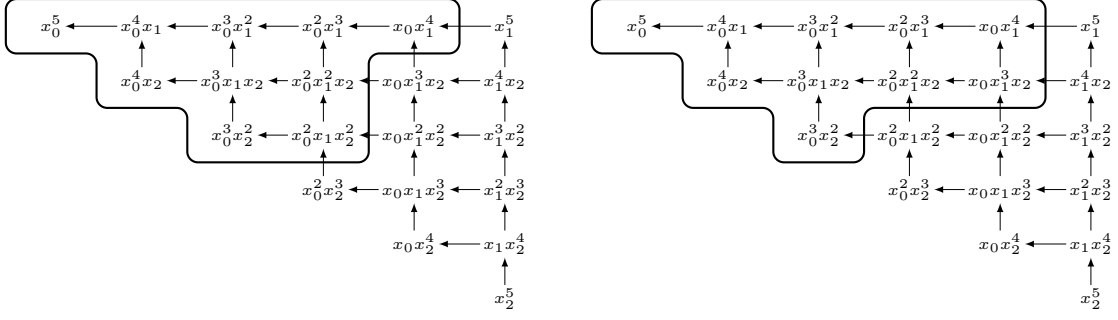


FIGURE 2. Borel sets in $\mathbb{T}_{2,5}$ corresponding to the saturated strongly stable ideals $(x_0^3, x_0^2 x_1, x_0 x_1^4)$ (on the left) and $(x_0^3, x_0^2 x_1^2, x_0 x_1^3)$ (on the right) in 3 variables with Hilbert polynomial $t + 6$ and regularity at most 5.

Proposition 3.3 (cf. [Lel12, Theorem 3.3]). *Let $p(t)$ be a Hilbert polynomial. There is a bijective map*

$$(5) \quad \left\{ \begin{array}{l} \text{saturated strongly stable ideals} \\ \text{in } \mathbb{K}[\mathbf{x}] \text{ with Hilbert polynomial} \\ p(t) \text{ and regularity } \leq s \end{array} \right\} \xleftrightarrow{1:1} \left\{ \begin{array}{l} \text{Borel sets of } \mathbb{T}_{n,s} \\ \text{with } q(s) \text{ elements and} \\ \text{growth vector } \text{gv}_s(p(t)) \end{array} \right\}$$

$$I \longrightarrow \text{monomial basis of } I_s$$

$$\text{saturation of } (B) \longleftarrow B$$

In order to determine the Borel sets of Proposition 3.3, we use a recursive algorithm based on Proposition 1.2(iii). Indeed, if $I \subset \mathbb{K}[x_0, \dots, x_n]$ is a strongly stable ideal with Hilbert polynomial $p(t)$ and B is the associated Borel set in $\mathbb{T}_{n,s}$, then the subset $B' = \{\mathbf{x}^\alpha \in B \mid \min \mathbf{x}^\alpha > n\} \subset B$ is a Borel set in $\mathbb{T}_{n-1,s}$ corresponding to the strongly stable ideal $I' = (x_n, I) \cap \mathbb{K}[x_0, \dots, x_{n-1}] \subset \mathbb{K}[x_0, \dots, x_{n-1}]$ with Hilbert polynomial $(\Delta p)(t)$.

Example 3.4. We want to determine the set of strongly stable ideals in the polynomial ring $\mathbb{K}[x_0, x_1, x_2]$ with regularity at most 5 defining schemes with Hilbert polynomial $p(t) = t + 6$. The Gotzmann number of $p(t)$ is 6 and its growth vector in degree 5 is $\text{gv}_5(t + 6) = (5, 4, 1)$. We start considering the set of strongly stable ideals in $\mathbb{K}[x_0, x_1]$ with Hilbert polynomial $\Delta p(t) = 1$ and regularity at most 5 corresponding to Borel sets with growth vector $\text{gv}_5(\Delta p(t)) = (4, 1)$. There is a unique Borel set $B' = \{x_0^5, x_0^4 x_1, x_0^3 x_1^2, x_0^2 x_1^3, x_0 x_1^4\}$. Since x_1^5 is not contained in B' , a Borel set $B \subset \mathbb{T}_{2,5}$ with growth vector $(5, 4, 1)$ does not contain monomials obtained from x_1^5 by applying decreasing elementary moves, i.e. $x_1^4 x_2, x_1^3 x_2^2, x_1^2 x_2^3, x_1 x_2^4$ and x_2^5 . Hence, we need to select 5 monomials divisible by both x_0 and x_2 producing a set closed by increasing elementary moves (see Figure 2).

This package provides the method `stronglyStableIdeals` to compute the set of strongly stable ideals of a given polynomial ring with fixed Hilbert polynomial and bounded regularity.

```
i9 : stronglyStableIdeals (4*t, QQ[x,y,z,w])
o9 = {ideal (x, y, y z), ideal (x*z, x*y, x, y z, y), ideal (x*y, x, x*z, y), ideal (x*y, x, y)}
o9 : List
i10 : stronglyStableIdeals (4*t, QQ[x,y,z,w], MaxRegularity => 4)
o10 = {ideal (x*y, x, x*z, y), ideal (x*y, x, y)}
o10 : List
```

4. SEGMENT IDEALS

The transitive closure of the order relation

$$(6) \quad \mathbf{x}^\alpha >_B \mathbf{x}^\beta \iff \mathbf{x}^\beta = e_i^- (\mathbf{x}^\alpha)$$

induces a partial order on the set of monomials of any degree called *Borel order*. Every graded term ordering is a refinement of this partial order. Since a Borel set B is closed with respect to the Borel order, i.e. $\mathbf{x}^\alpha >_B \mathbf{x}^\beta, \mathbf{x}^\beta \in B \Rightarrow \mathbf{x}^\alpha \in B$, it is natural to ask whether there exists a term ordering \prec with the same property. For instance, for the lexicographic ideal, the graded lexicographic order separates, in each degree, monomials contained in the ideal from those outside. In [CLMR11] several notions of segment ideals are introduced.

Definition 4.1 ([CLMR11, Definition 3.1, Definition 3.7]). A Borel set $B \subset \mathbb{T}_{n,s}$ is called *segment* if there exists a term ordering \prec such that $\mathbf{x}^\alpha \succ \mathbf{x}^\beta$, for all $\mathbf{x}^\alpha \in B$ and $\mathbf{x}^\beta \in \mathbb{T}_{n,s} \setminus B$.

Let $I \subset \mathbb{K}[\mathbf{x}]$ be a saturated strongly stable ideal.

- (i) I is called *hilb-segment* if the Borel set $I \cap \mathbb{T}_{n,r}$ is a segment, where r is the Gotzmann number of the Hilbert polynomial of I .

- (ii) I is called *reg-segment* if the Borel set $I \cap \mathbb{T}_{n,m}$ is a segment, where m is the regularity of I .
- (iii) I is called *gen-segment* if there exists a term ordering \prec such that $\mathbf{x}^\alpha \succ \mathbf{x}^\beta$ for each minimal generator \mathbf{x}^α of degree s of I and for all $\mathbf{x}^\beta \in \mathbb{T}_{n,s} \setminus I_s$.

These notions are very important in the construction of flat families based on properties of Gröbner bases and in general for the study of the Hilbert scheme. The package provides three methods for determining whether a strongly stable ideal may be some type of segment (and, in case, gives the term ordering). These methods use tools of the package `gfanInterface` and the term ordering is given as a weight vector.

```

i11 : sevenPointsP2 = stronglyStableIdeals (7, 3, MaxRegularity => 5)
o11 = {ideal (x2, x2 x, x5), ideal (x2, x4, x3), ideal (x2, x2 x, x3, x4)}
      0      0 1      1      0      1      0 1      0 1      0 1      0 1
o11 : List
i12 : for J in sevenPointsP2 list isHilbSegment J
o12 = {(true, {7, 3, 1}), (false, ), (true, {4, 3, 1})}
o12 : List
i13 : for J in sevenPointsP2 list isRegSegment J
o13 = {(true, {7, 3, 1}), (false, ), (true, {4, 3, 1})}
o13 : List
i14 : for J in sevenPointsP2 list isGenSegment J
o14 = {(true, {6, 3, 1}), (true, {4, 3, 1}), (true, {4, 3, 1})}
o14 : List

```

REFERENCES

- [BCLR13] Cristina Bertone, Francesca Cioffi, Paolo Lella, and Margherita Roggero, *Upgraded methods for the effective computation of marked schemes on a strongly stable ideal*, J. Symbolic Comput. **50** (2013), 263–290.
- [BCR17a] Cristina Bertone, Francesca Cioffi, and Margherita Roggero, *Double-generic initial ideal and Hilbert scheme*, Ann. Mat. Pura Appl. (4) **196** (2017), no. 1, 19–41.
- [BCR17b] ———, *Macaulay-like marked bases*, J. Algebra Appl. **16** (2017), no. 5, 36 pages.
- [BLMR16] Jérôme Brachat, Paolo Lella, Bernard Mourrain, and Margherita Roggero, *Extensors and the Hilbert scheme*, Ann. Sc. Norm. Super. Pisa Cl. Sci. (5) **16** (2016), no. 1, 65–96.
- [BLR13] Cristina Bertone, Paolo Lella, and Margherita Roggero, *A Borel open cover of the Hilbert scheme*, J. Symbolic Comput. **53** (2013), 119–135.
- [CLMR11] Francesca Cioffi, Paolo Lella, Maria Grazia Marinari, and Margherita Roggero, *Segments and Hilbert schemes of points*, Discrete Math. **311** (2011), no. 20, 2238–2252.
- [CR11] Francesca Cioffi and Margherita Roggero, *Flat families by strongly stable ideals and a generalization of Gröbner bases*, J. Symbolic Comput. **46** (2011), no. 9, 1070–1084.
- [Gal74] André Galligo, *À propos du théorème de-préparation de Weierstrass*, Fonctions de plusieurs variables complexes (Sém. François Norguet, octobre 1970–décembre 1973; à la mémoire d’André Martineau), Lecture Notes in Math., vol. 409, Springer, Berlin, 1974, Thèse de 3ème cycle soutenue le 16 mai 1973 à l’Institut de Mathématique et Sciences Physiques de l’Université de Nice, pp. 543–579.
- [Got78] Gerd Gotzmann, *Eine Bedingung für die Flachheit und das Hilbertpolynom eines graduerten Ringes*, Math. Z. **158** (1978), no. 1, 61–70.
- [Gre10] Mark L. Green, *Generic initial ideals*, Six lectures on commutative algebra, Mod. Birkhäuser Class., Birkhäuser Verlag, Basel, 2010, pp. 119–186.
- [Lel12] Paolo Lella, *An efficient implementation of the algorithm computing the Borel-fixed points of a Hilbert scheme*, ISSAC 2012 — Proceedings of the 37th International Symposium on Symbolic and Algebraic Computation (2012), 242–248.
- [LR11] Paolo Lella and Margherita Roggero, *Rational components of Hilbert schemes*, Rend. Semin. Mat. Univ. Padova **126** (2011), 11–45.
- [LR16] ———, *On the functoriality of marked families*, J. Commut. Algebra **8** (2016), no. 3, 367–410.
- [Mal97] Daniel Mall, *Betti numbers, Castelnuovo Mumford regularity, and generalisations of Macaulay’s theorem*, Comm. Algebra **25** (1997), no. 12, 3841–3852.
- [MN14] Dennis Moore and Uwe Nagel, *Algorithms for strongly stable ideals*, Math. Comp. **83** (2014), no. 289, 2527–2552.
- [Ree92] Alyson A. Reeves, *Combinatorial structure on the Hilbert scheme*, Ph.D. thesis, Cornell University, 1992.

DAVIDE ALBERELLI

E-mail address: davide.alberelli@gmail.com

PAOLO LELLA, DIPARTIMENTO DI MATEMATICA, POLITECNICO DI MILANO, PIAZZA LEONARDO DA VINCI 32, 20133 MILANO, ITALY.

E-mail address: paolo.lella@polimi.it

URL: <http://www.paololella.it/>