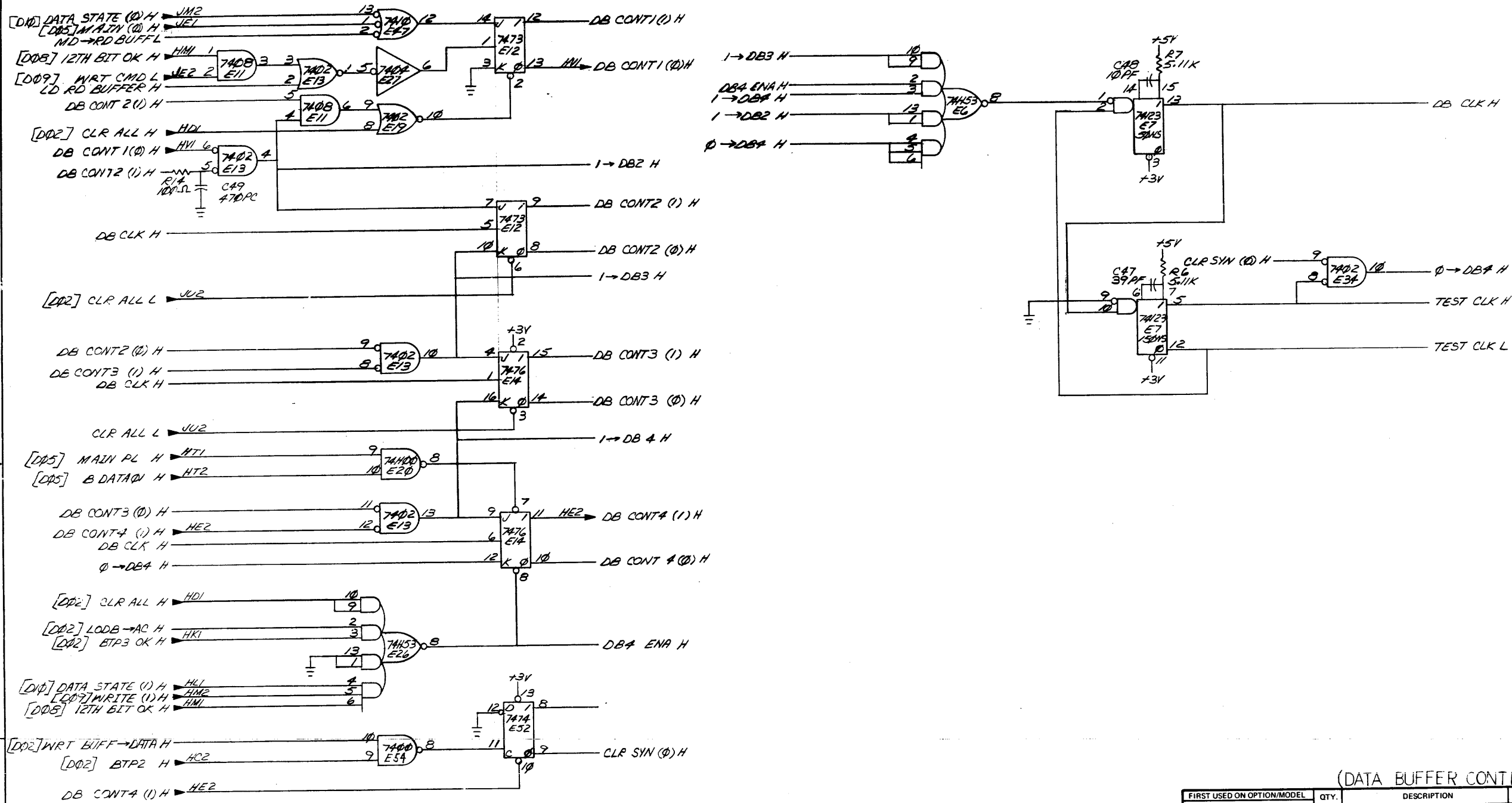


Drawing and specifications, herein, are the property of Digital Equipment Corporation and shall not be reproduced or copied or used in whole or in part as the basis for the manufacture or sale of items without written permission. © 1976 ORIGINAL EQUIP. CORP.



(DATA BUFFER CONTROL)

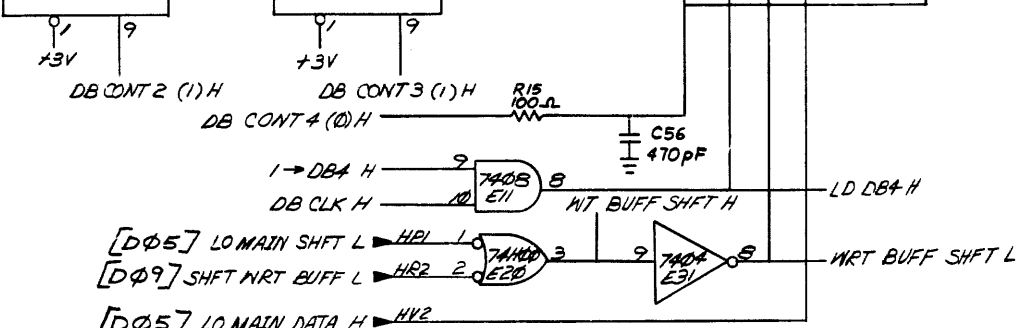
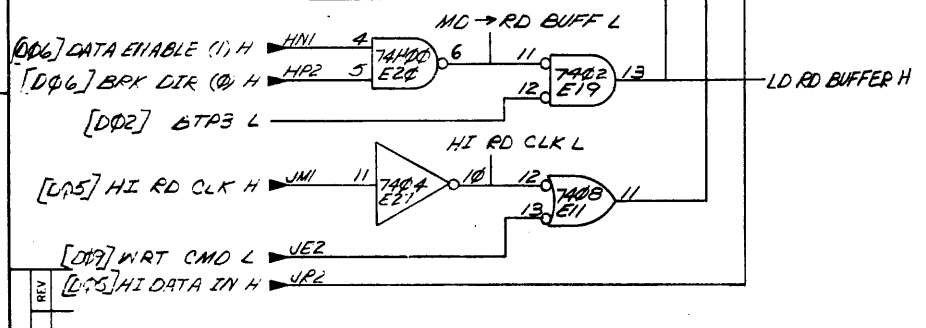
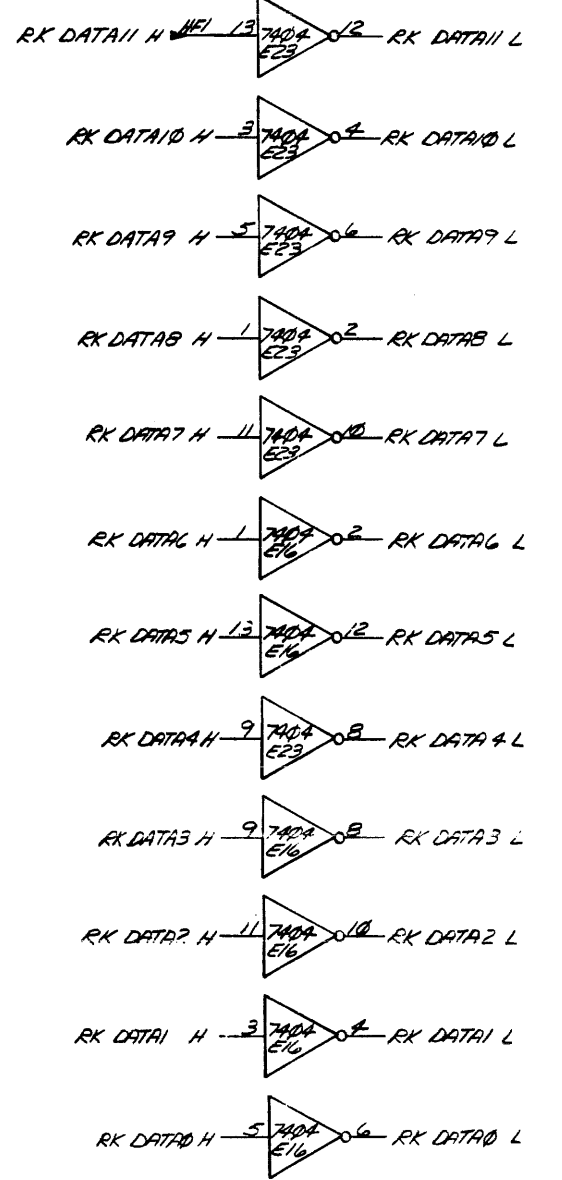
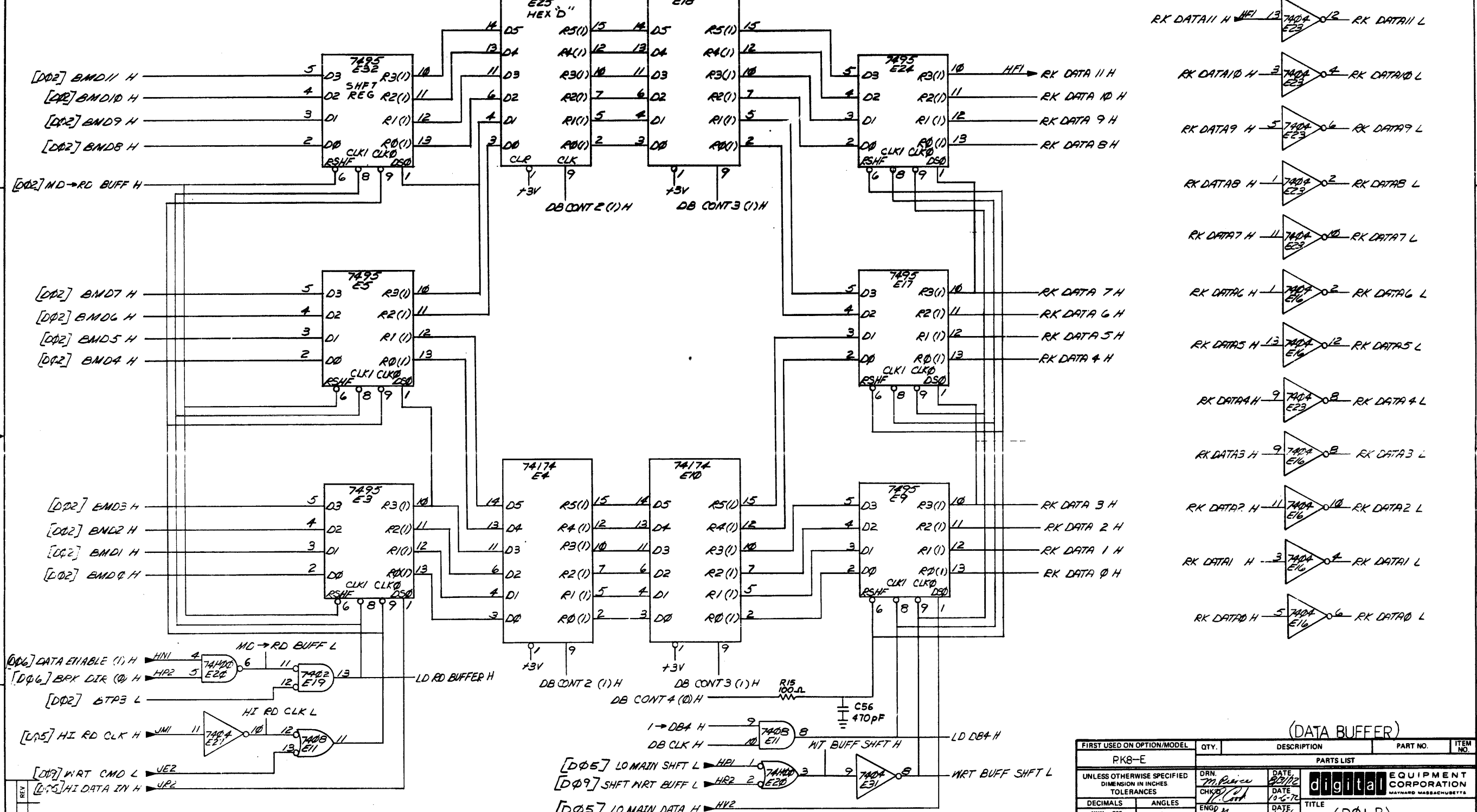
FIRST USED ON OPTION/MODEL	QTY.	DESCRIPTION	PART NO.	ITEM NO.
RK8-E				
PARTS LIST				
UNLESS OTHERWISE SPECIFIED DIMENSION IN INCHES. TOLERANCES		DRN <i>m. Riva</i> DATE <i>9/1/72</i> CHK'D <i>W. Cook</i> DATE <i>10-7-72</i> ENG <i>J. H. Cook</i> DATE <i>10/1/72</i> PROJ. ENG. DATE <i>10/1/72</i> PROD. DATE <i>10/1/72</i>		
DECIMALS .XXX = .005 .XX = .02 .X = .1	ANGLES ± 0° 30'	digital EQUIPMENT CORPORATION MAYNARD, MASSACHUSETTS TITLE (D01A) DATA BUF & STATUS		
REMOVE BURRS AND BREAK SHARP CORNERS SURFACE QUALITY ✓		NEXT HIGHER ASSY. B-DD-RK8-0 SCALE <i>1/1</i> SHEET <i>3</i> OF <i>7</i>		
MATERIAL <i>---</i>	FINISH <i>---</i>	SIZE CODE	NUMBER	REV.
		D	CS M7104-0-1	B
		DIST.		

BRUNING 40-522 15840
 DEC FORM NO DRD 102-B
 REVISIONS
 CHANGE NO
 CHK

REV B
 NUMBER CS M7104-0-1
 SIZE CODE D

A

The drawing and specifications, herein, are the property of Digital Equipment Corporation and shall not be reproduced or copied in whole or in part as the basis for the manufacture or sale of items without written permission of R7L Digital Equipment Corp.

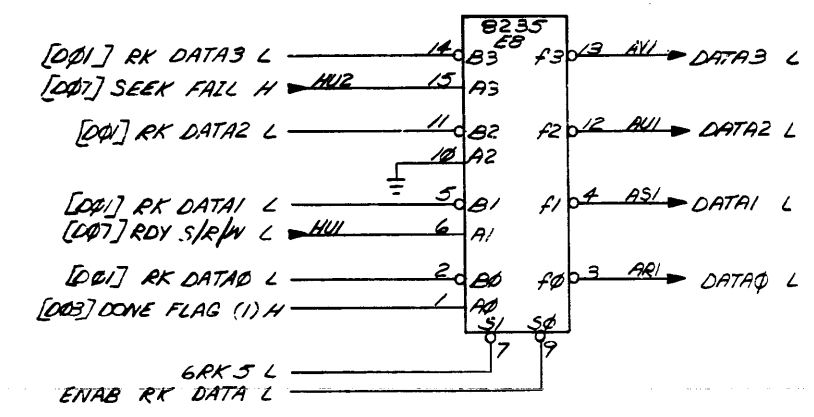
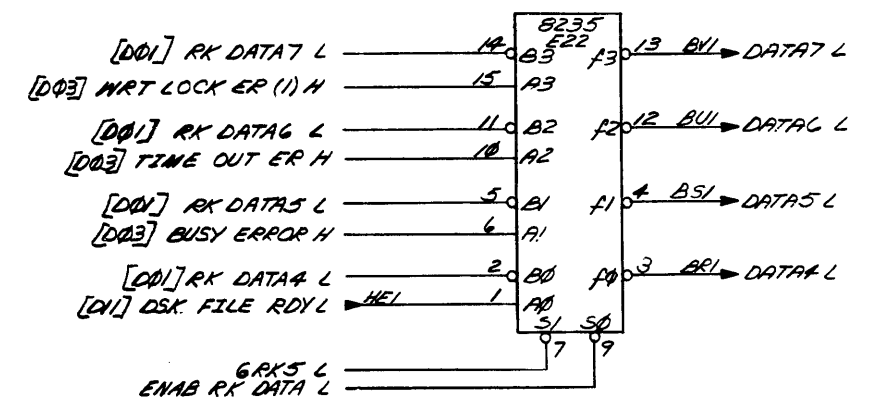
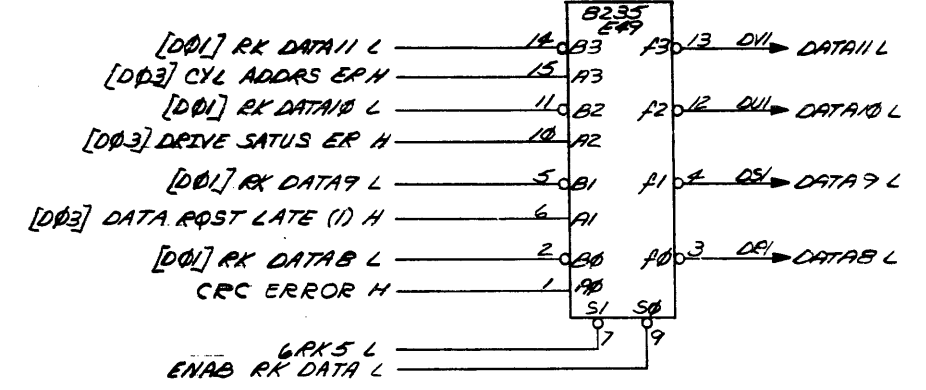
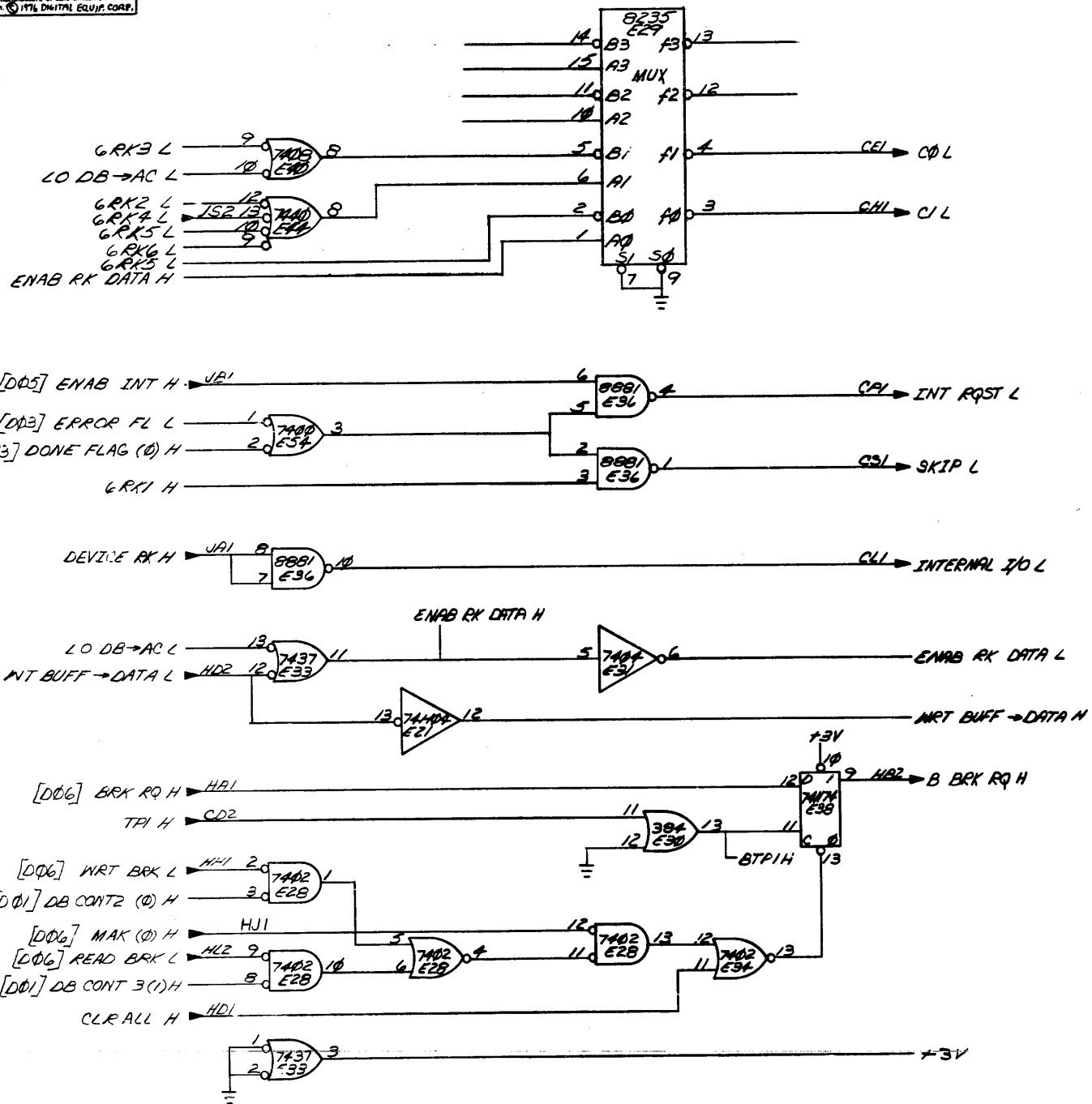


(DATA BUFFER)

FIRST USED ON OPTION/MODEL	QTY.	DESCRIPTION	PART NO.	ITEM NO.
RK8-E				
PARTS LIST				
UNLESS OTHERWISE SPECIFIED DIMENSION IN INCHES TOLERANCES				
DECIMALS .XXX = .005 .XX = .02 .X = .1	ANGLES ±0° 30'	DATE 10/6/72	TITLE (D01 B) DATA BUF & STATUS	
REMOVE BURRS AND BREAK SHARP CORNERS SURFACE QUALITY		ENGR. DATE 10/6/72	DATE 10/6/72	
MATERIAL		PROD. DATE 10/6/72	DATE 10/6/72	
FINISH		NEXT HIGHER ASSY.	SIZE CODE	
		B-DD-RK8-0	NUMBER	REV
		SCALE	D C S M 7104-0-1	B
		SHEET 4 OF 7	DIST.	

REV	CHG	NO	DESCRIPTION

This drawing and specifications, herein, are the property of Digital Equipment Corporation and shall not be reproduced or copied in whole or in part as the basis for the manufacture or sale of items without written permission. © 1976 Digital Equipment Corporation.



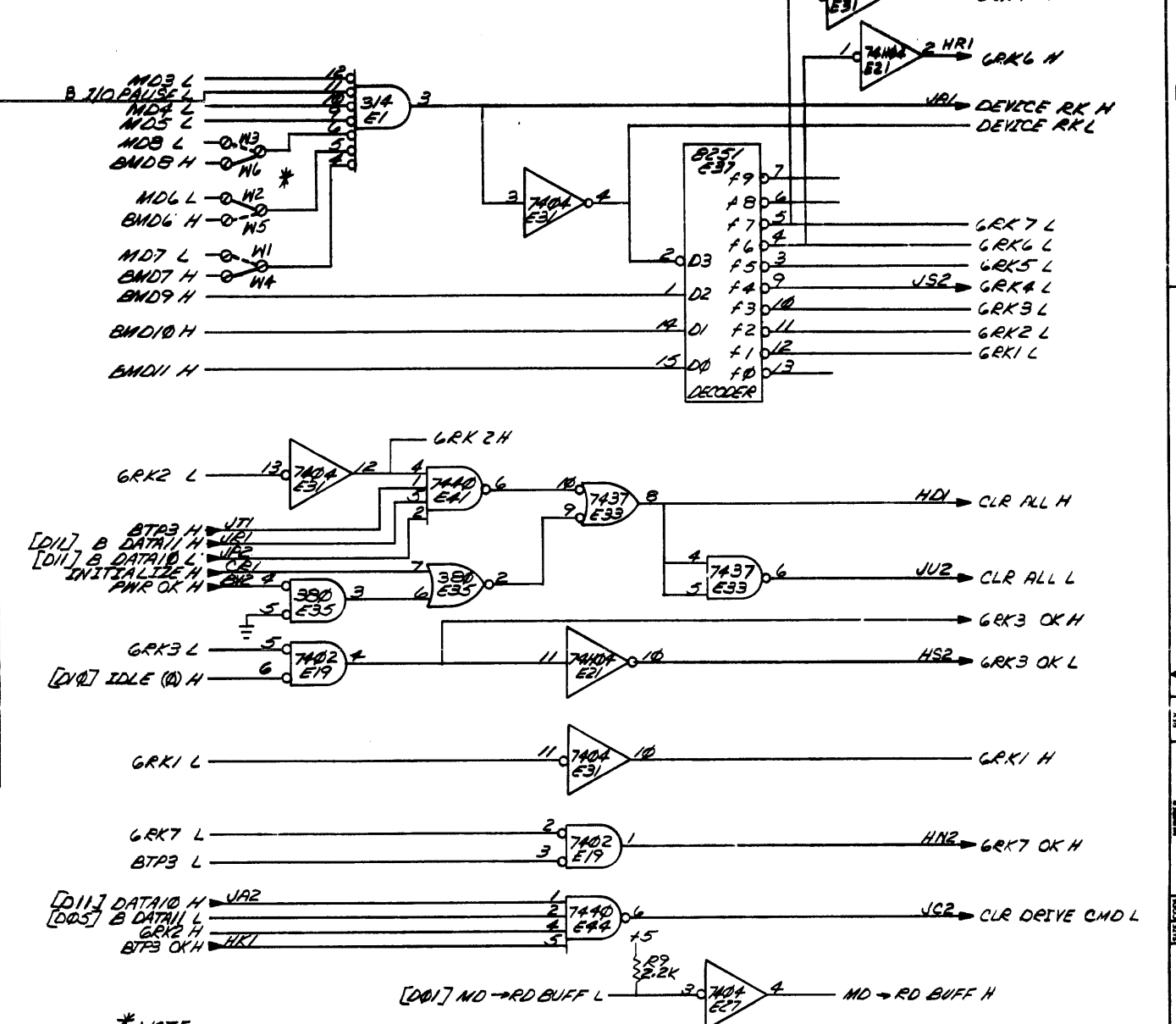
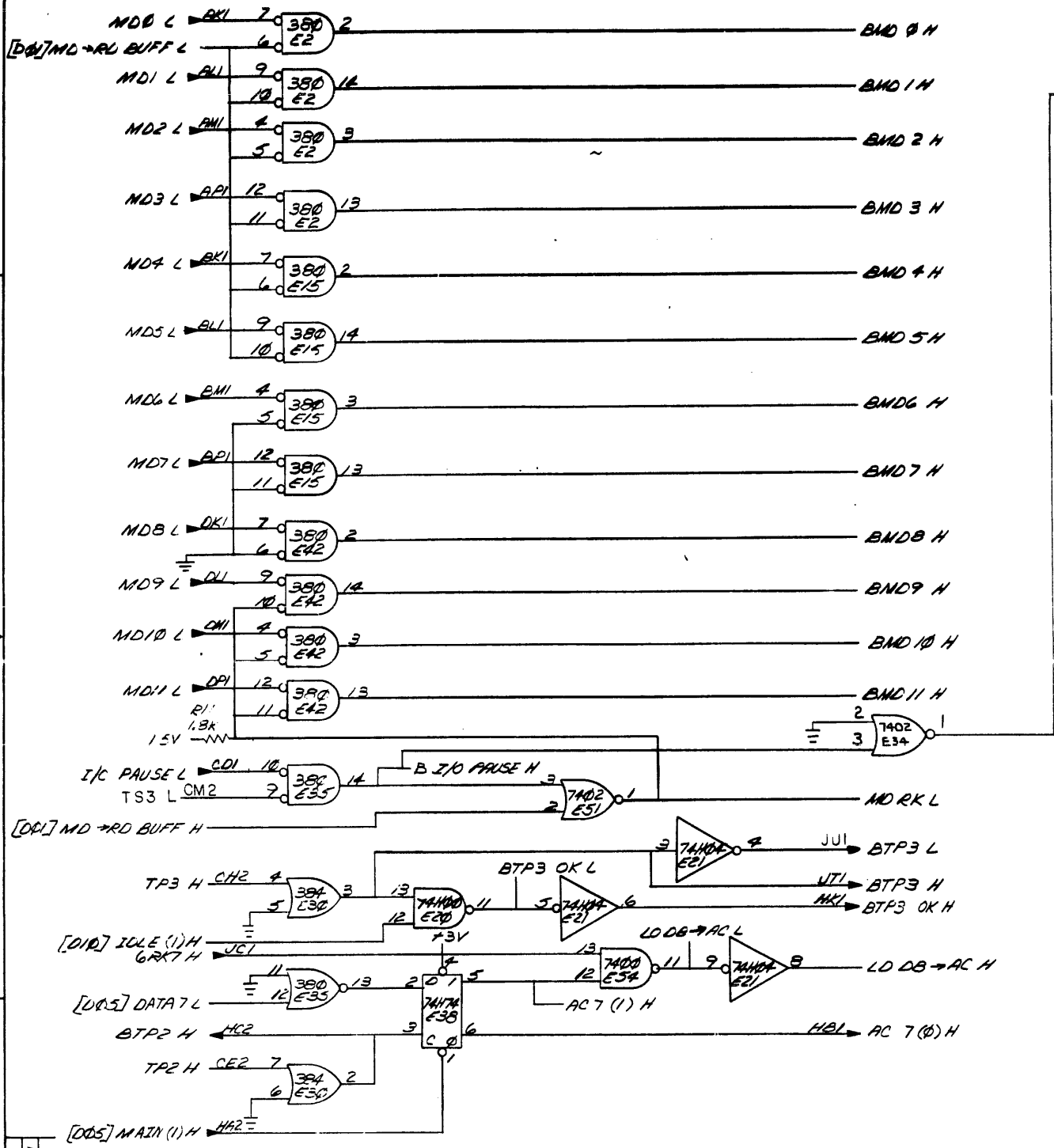
REV	
CHANGE NO	
CHK	

BRUNING 40-322 15840
DEC FORM NO
DED 102-B

(OMNIBUS DRIVERS)

FIRST USED ON OPTION/MODEL	QTY.	DESCRIPTION	PART NO.	ITEM NO.
RKB-E		PARTS LIST		
UNLESS OTHERWISE SPECIFIED DIMENSION IN INCHES TOLERANCES	DRN <i>Dr. R. W. H. H.</i>	DATE <i>10/4/72</i>	 digital EQUIPMENT CORPORATION MAYNARD MASSACHUSETTS TITLE (D02A) DATA BUF & STATUS	
DECIMALS .XXX = .005	CHKD <i>R. Cook</i>	DATE <i>10/17/72</i>		
ANGLES ±0° 30'	ENG. <i>Dr. R. W. H. H.</i>	DATE <i>10/17/72</i>		
.XX = .02	PROJ. ENG. <i>Dr. R. W. H. H.</i>	DATE <i>10/17/72</i>		
.X = .1	PROD. <i>Dr. R. W. H. H.</i>	DATE <i>10/17/72</i>		
REMOVE BURRS AND BREAK SHARP CORNERS SURFACE QUALITY	✓			
MATERIAL	NEXT HIGHER ASSY.			
FINISH	B-DD-RKE-0	SIZE CODE	NUMBER	REV.
	SCALE	D CS M7104-0-1	B	
	SHEET	5 OF 7	DIST.	

The drawing and specifications herein are the property of Digital Equipment Corporation and shall not be reproduced or copied in whole or in part or the basis for the manufacture or sale of items without written permission © 1976, Digital Equipment Corp.



* NOTE
 IOT 674X AS SHOWN
 VALID IOT'S ARE
 674X
 675X
 676X
 677X

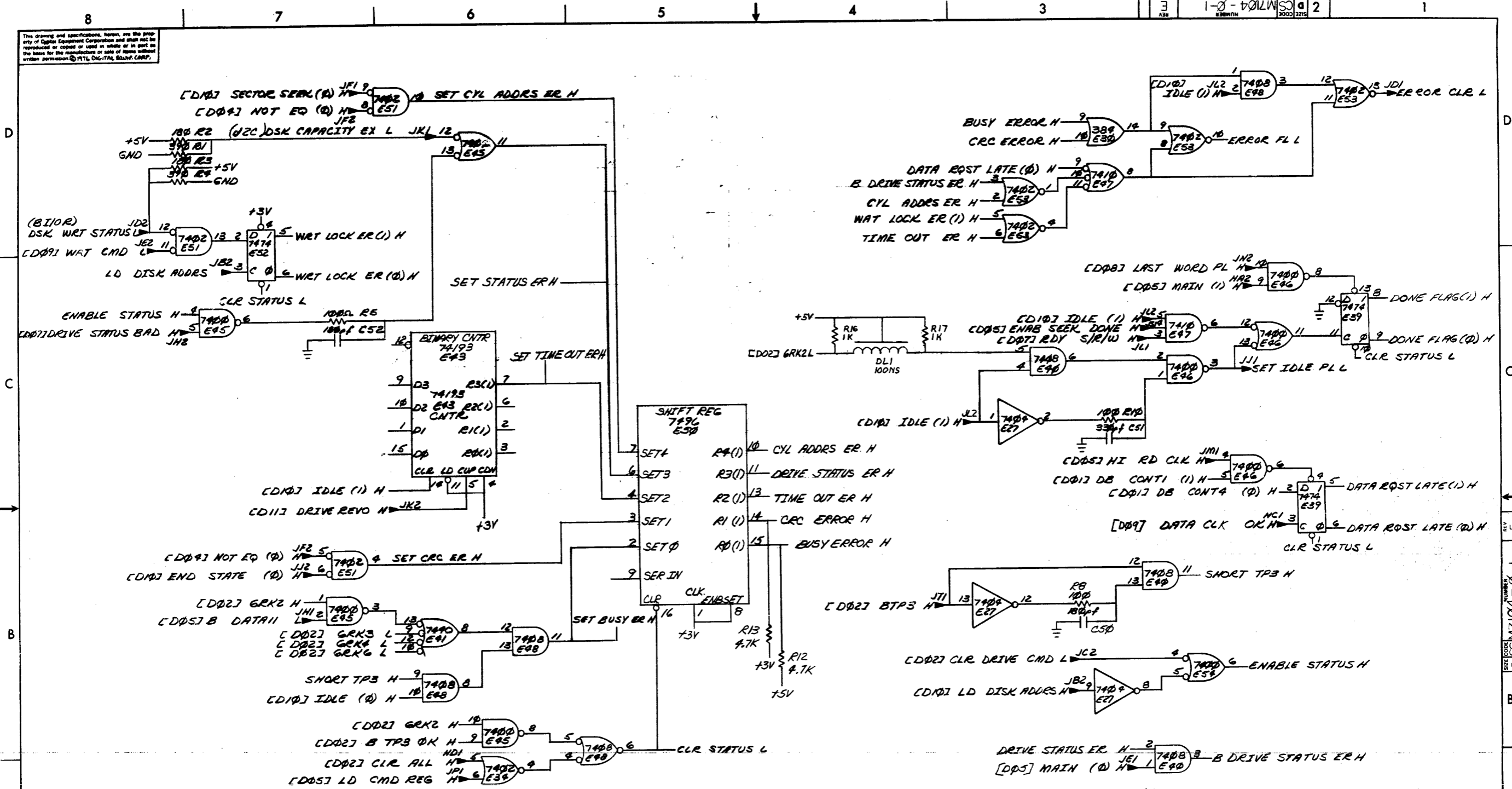
(OMNIBUS RECEIVERS)

FIRST USED ON OPTION/MODEL	QTY.	DESCRIPTION	PART NO.	ITEM NO.
RK8-E				
PARTS LIST				
UNLESS OTHERWISE SPECIFIED DIMENSION IN INCHES TOLERANCES		DRN. <i>m. Bice</i> DATE 9/5/72	 DIGITAL EQUIPMENT CORPORATION BATHURST MASSACHUSETTS	
DECIMALS .XXX ± .005 ANGLES ± 0° 30'		CHK'D <i>R. Clark</i> DATE 10/6/72		
REMOVE BURRS AND BREAK SHARP CORNERS SURFACE QUALITY		ENG. <i>[Signature]</i> DATE 10/6/72	TITLE (D02 B) DATA BUF & STATUS	
MATERIAL ++		PROJ. ENG. <i>[Signature]</i> DATE 10/6/72		
FINISH ++		PROD. <i>[Signature]</i> DATE	NEXT HIGHER ASSY.	
			B-DD-RK8-0	
			SCALE ++	
			SHEET 6 OF 7	
			SIZE CODE	NUMBER
			DCS M7104-0-1	F

BRUNING 40-522 15840
 DEC FORM NO. DR3 102-R

PART NO. DCS M7104-0-1

This drawing and specifications, herein, are the property of Digital Equipment Corporation and shall not be reproduced or copied or used in whole or in part as the basis for the manufacture or sale of items without written permission of D.E.C. 1976, DIGITAL, BURLINGAME, CA.



(STATUS REGISTER ERROR DETECT)

FIRST USED ON OPTION/MODEL	QTY.	DESCRIPTION	PART NO.	ITEM NO.
RK8-E				
PARTS LIST				
UNLESS OTHERWISE SPECIFIED DIMENSION IN INCHES TOLERANCES	DRN <i>akibant</i>	DATE 7-11-72	 digital EQUIPMENT CORPORATION MAYFORD MASSACHUSETTS	
DECIMALS	CHK'd <i>llb</i>	DATE 4/6/72		
ANGLES	ENG <i>Shore</i>	DATE 7/11/72		
.XXX - .005 .XX - .02 .X - .1	PROJ. ENG. <i>Shore</i>	DATE 10/6/72		
REMOVE BURRS AND BREAK SHARP CORNERS SURFACE QUALITY	PROD. <i>Shore</i>	DATE	TITLE (D03) DATA BUF & STATUS	
MATERIAL	NEXT HIGHER ASSY.			
FINISH				
	D-UA-RK8-E-0	SIZE CODE	NUMBER	REV.
		DCS M7104-0-1		E
	SCALE			
	SHEET 7 OF -	DIST.		

REV	CHG	NO	DATE	BY
1	OK	1-22	7/11/72	AK
2	OK	1-22	7/11/72	AK