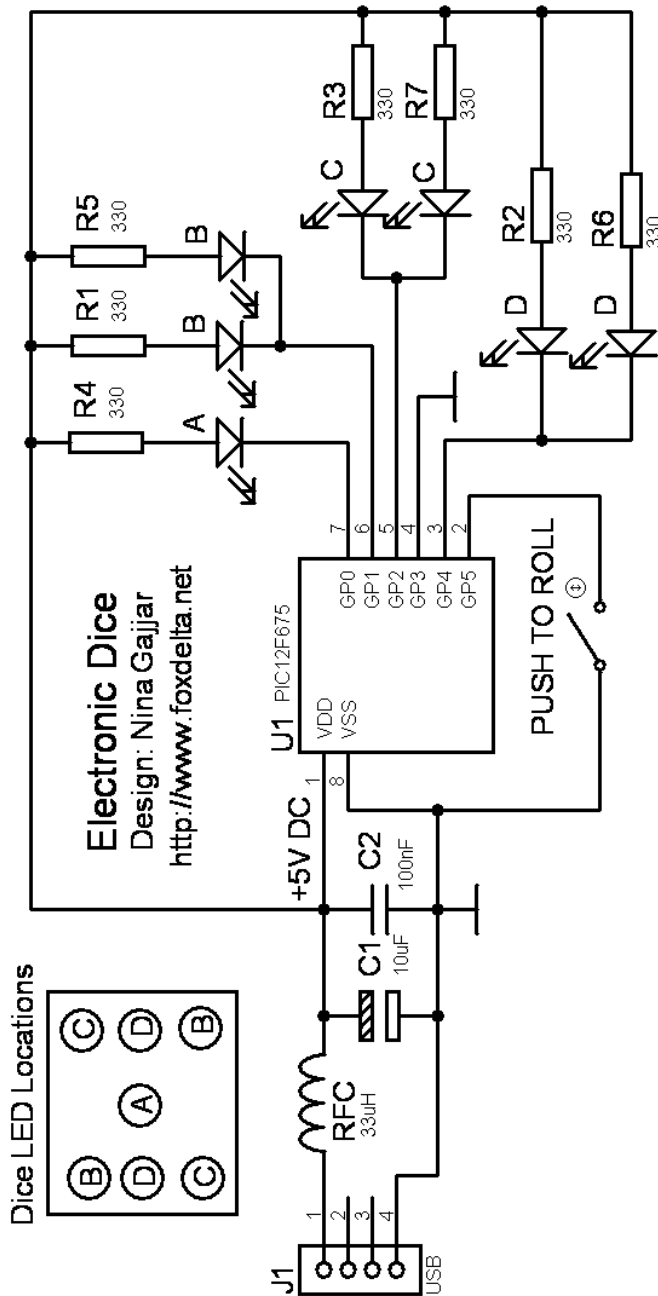


Schematic and Parts List: Simple Electronic Dice using PIC12F675

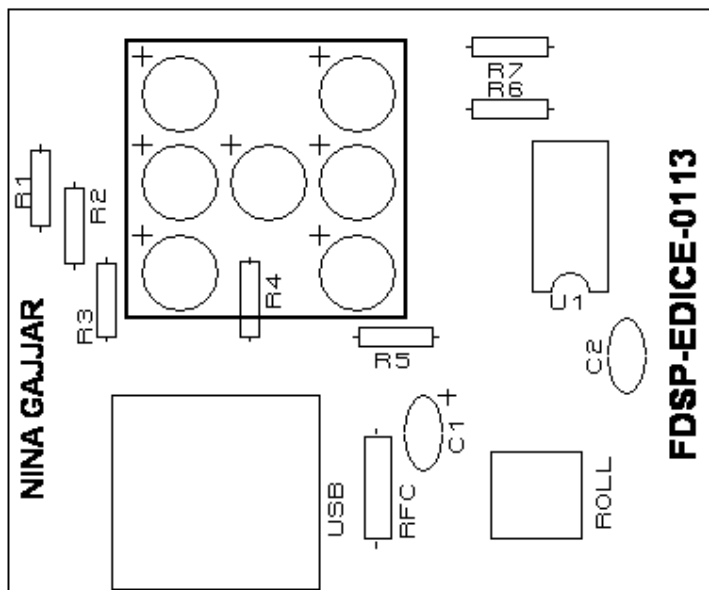
Electronic Dice Schematic:



Electronic Dice Kit Parts List

| Qty | Check | ID | Part Detail |
|-----|-------|-----------|----------------------------|
| 1 | | U1 | PIC12F675 |
| 1 | | IC Socket | 8PIN |
| 7 | | R1 – R7 | 330 ohms 1/4W Resistors |
| 1 | | C1 | 10uF Tantalum Capacitor |
| 1 | | C2 | 0.1uF Ceramic Capacitor |
| 1 | | USB | USB Type A Connector |
| 7 | | LED | 3MM LEDs |
| 1 | | Roll | 4mm Push Button |
| 1 | | PCB | FDSP- EDICE-0113 DSPTH PCB |

Electronic Dice PCB Silk:



Nina Gajjar. 4th February 2013

For more information, please visit: <http://www.foxdelta.net>