

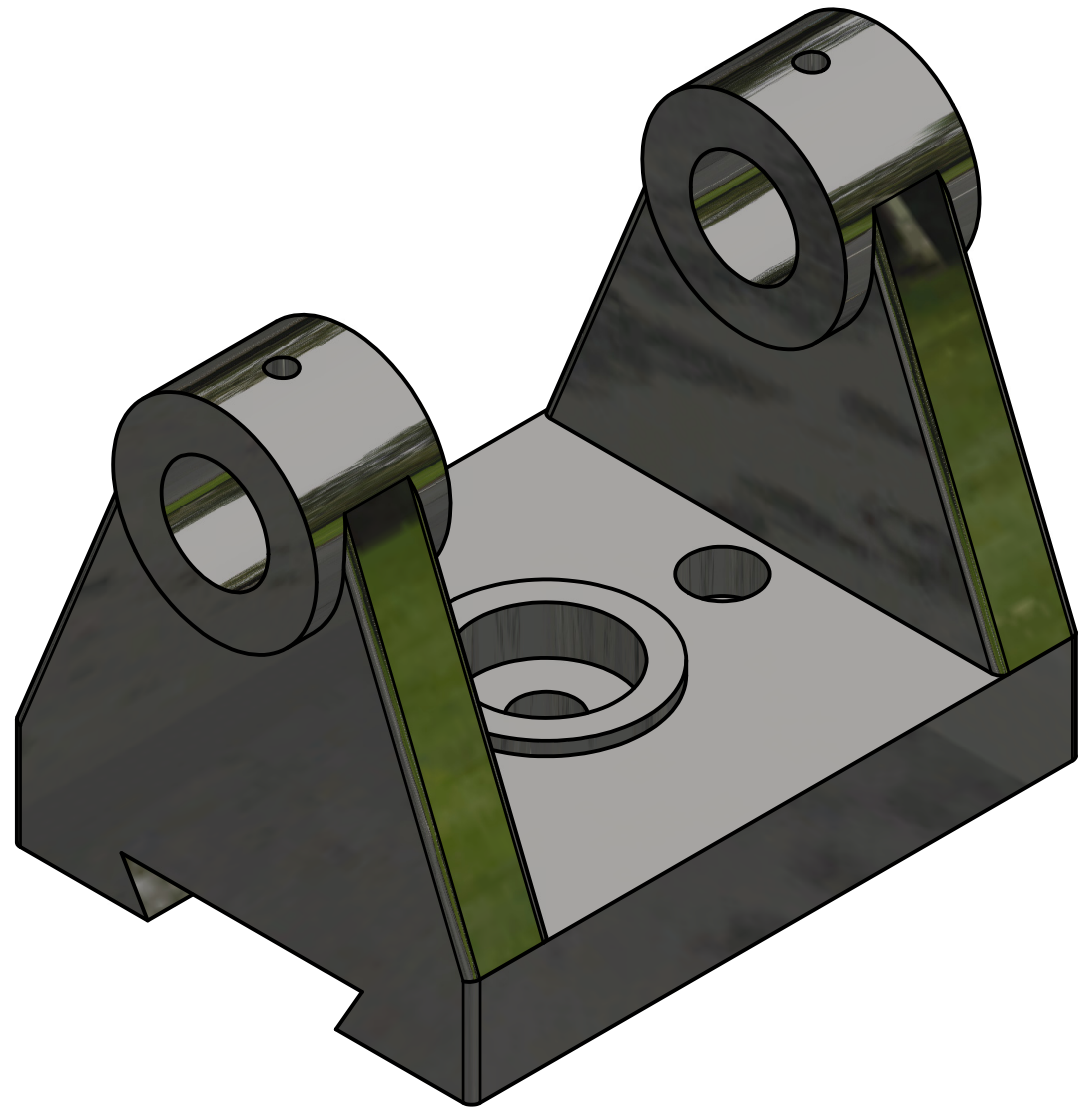
# GENERAL NOTES

ROUNDS AND FILLETS: R.0625

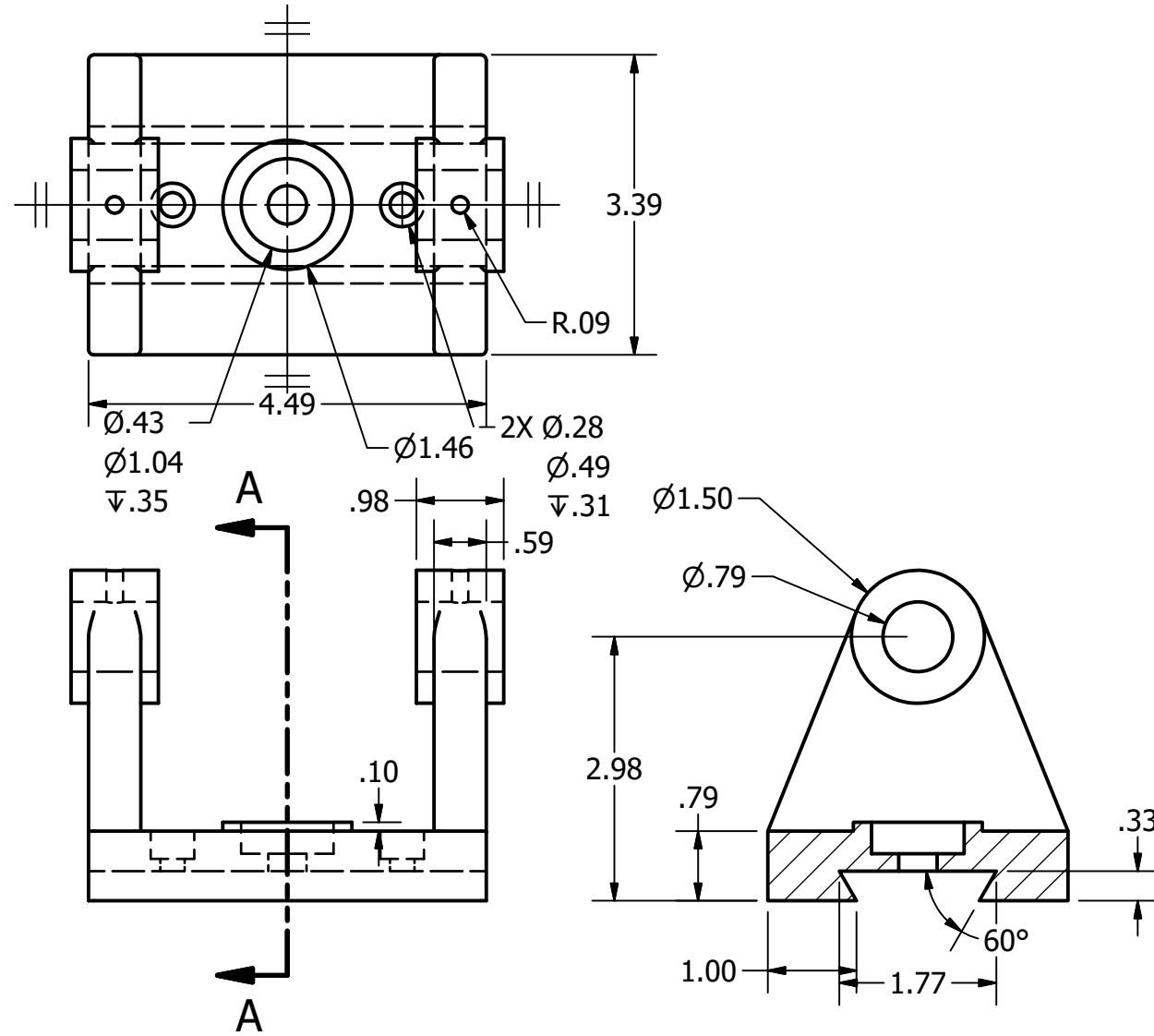
PARTS LIST			
ITEM	QTY	PART NUMBER	MATERIAL
1	1	SLIDE BRACKET	SAE1110

## LEGEND:

- ∅ DIAMETER
- R RADIUS
- ° DEGREES
- ⌊ SPOTFACE
- ∇ DEPTH



SLIDE BRACKET DRAWING  
SCALE 1 : 1



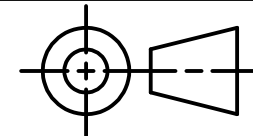
SLIDE BRACKET DRAWING  
SCALE 1 : 2

SECTION A-A  
SCALE 1 : 2



DIGITAL DESIGN  
GRAPHICS  
TECHNOLOGY

WWW.DDGT.NET



TOLERANCES UNLESS SPECIFIED:  
DECIMAL INCHES  
X = ±.020  
XX = ±.010  
XXX = ±.005  
FRACTIONAL ±1/64"  
ANGLE ±1 DEGREE  
SURFACES <sup>32</sup>✓

COURSE: DDGT120

INVENTOR DRAWING NAME  
SLIDE BRACKET

FIG #: SLIDE BRACKET

DRAFTER: wvalladares63091

DATE: 12/4/2018

SCALE: AS NOTED

PAGE #: 1 OF 1