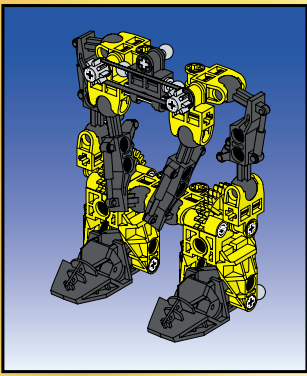


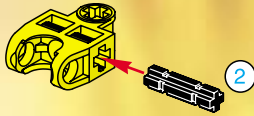


# TECHNIC

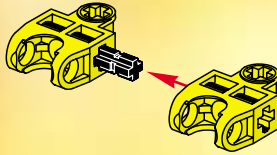




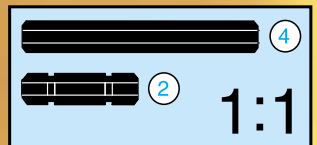
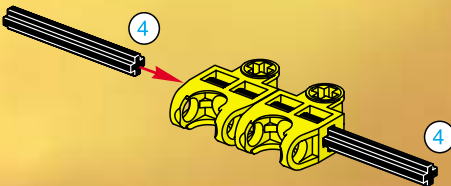
1



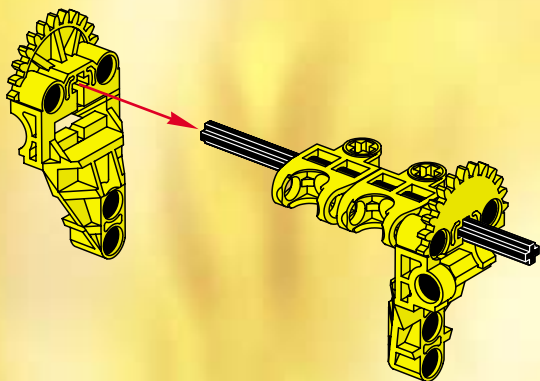
2



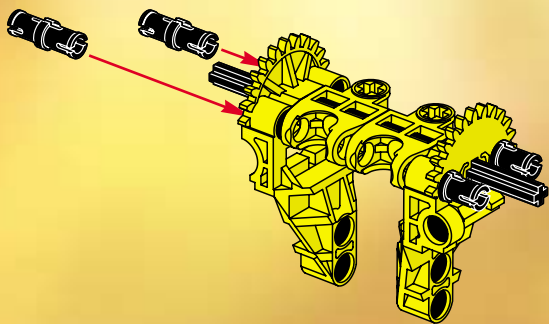
3



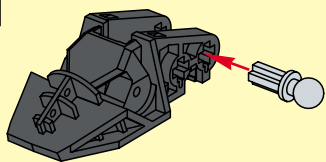
4



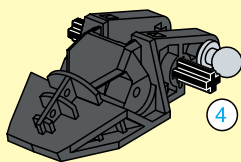
5



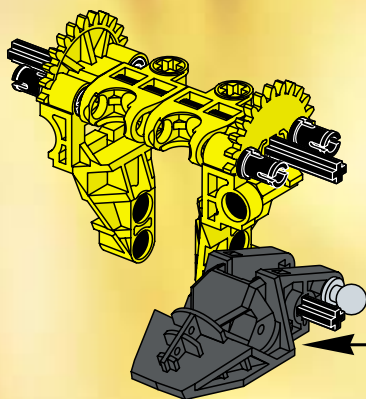
1



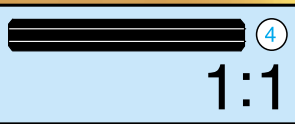
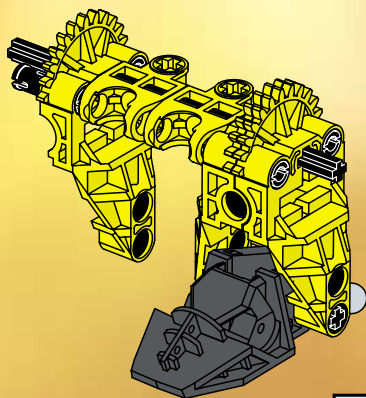
2



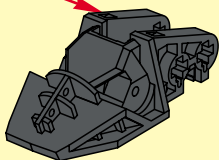
6



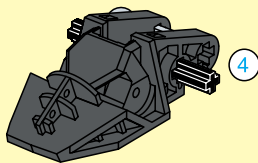
7



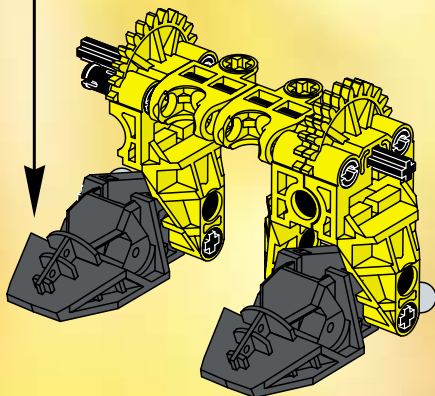
1



2

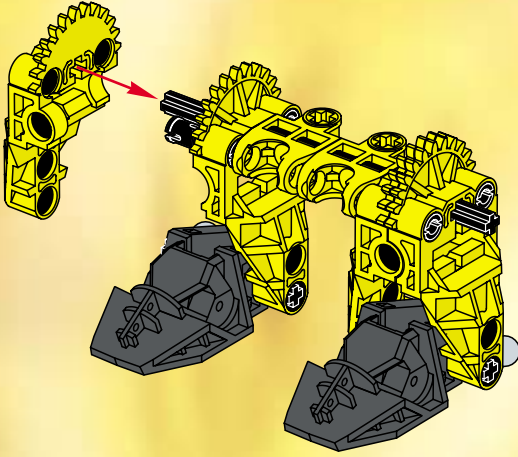


8

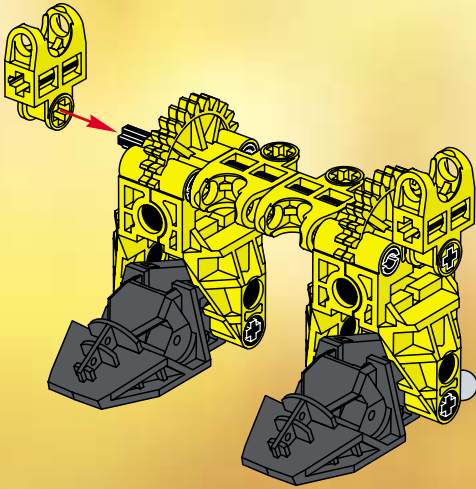


1:1

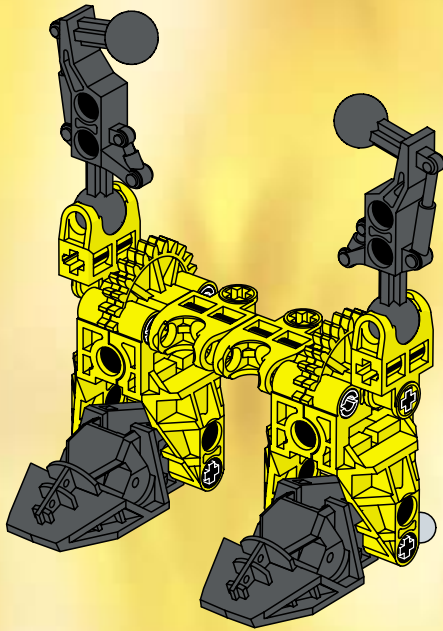
# 9



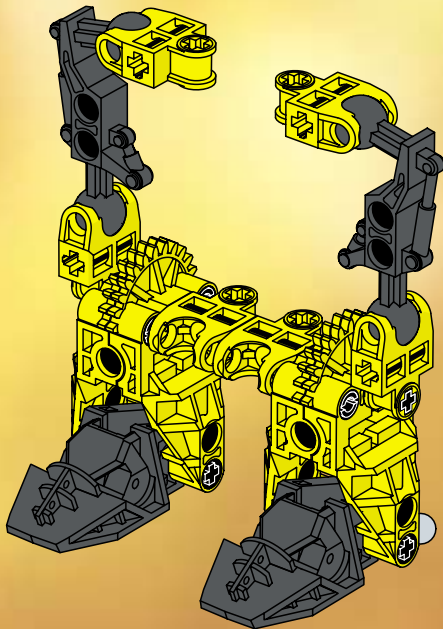
# 10



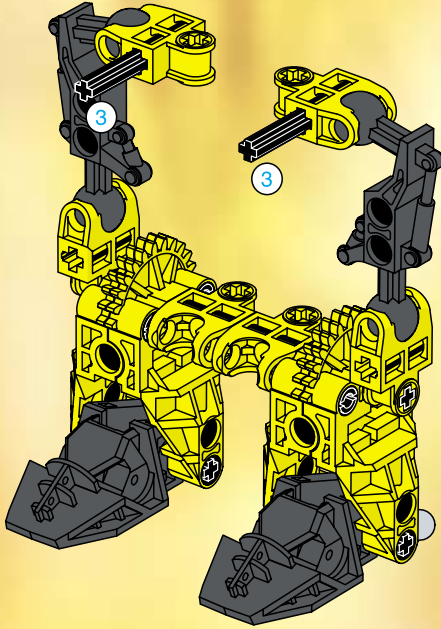
# 11



# 12



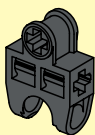
# 13



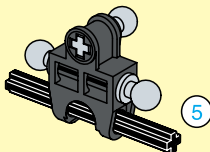
	3
1:1	



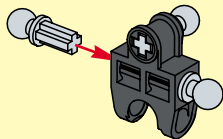
1



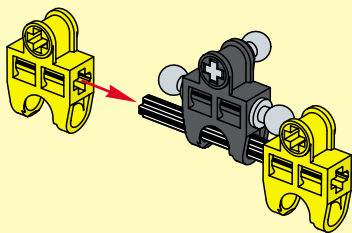
3



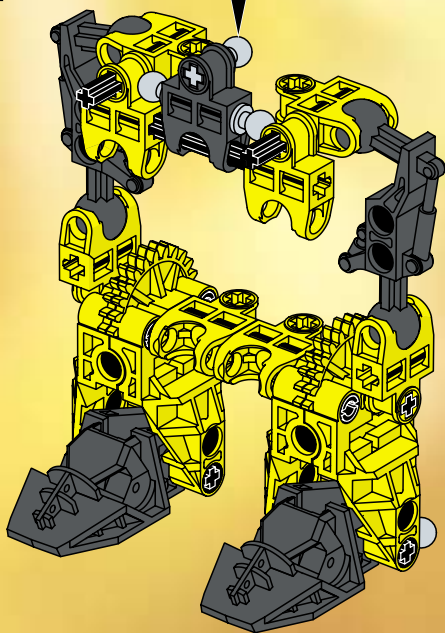
2



4



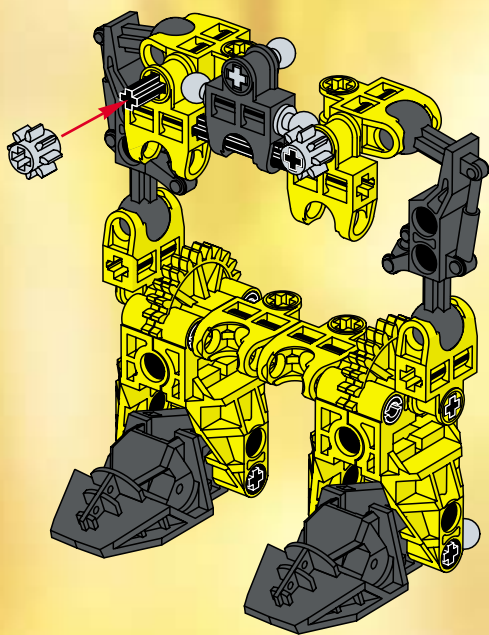
14



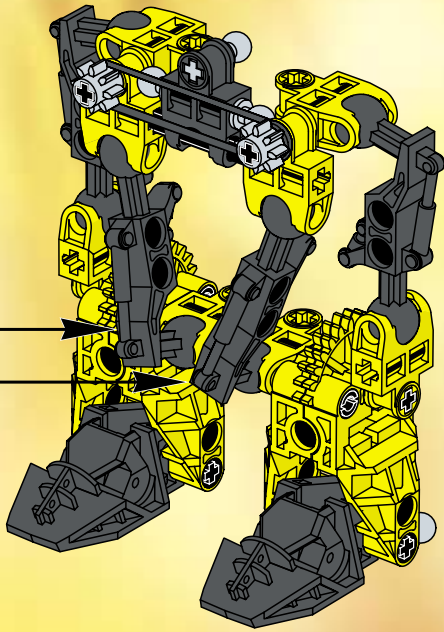
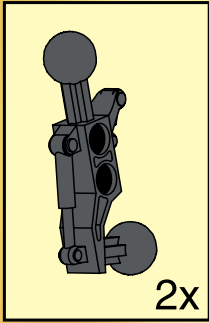
5

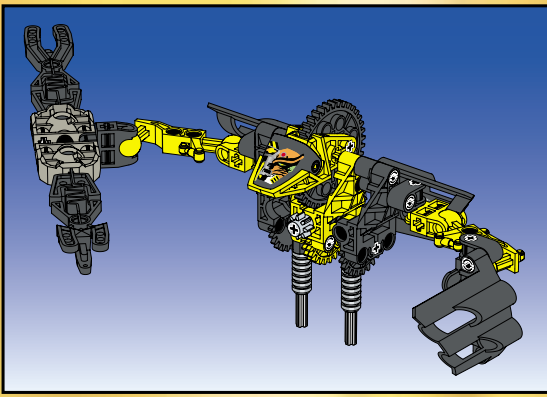
1:1

# 15

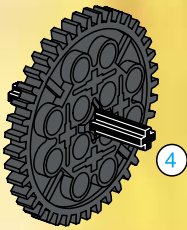


# 16

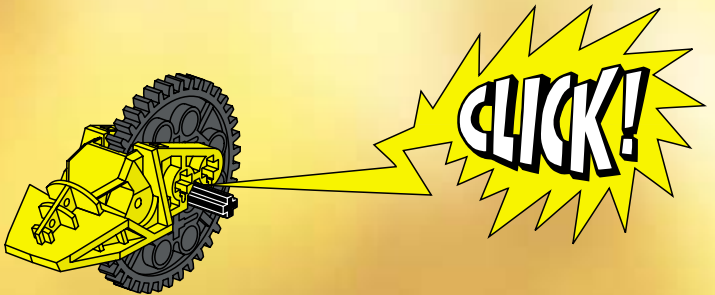




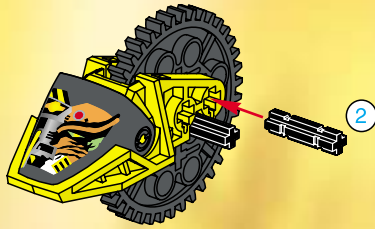
1



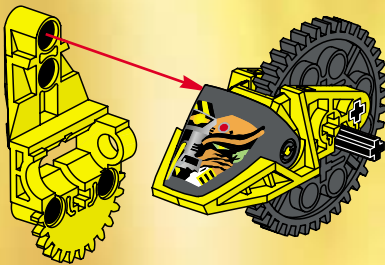
2



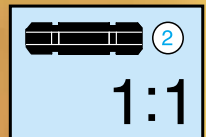
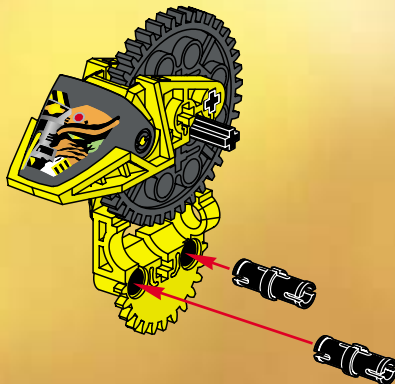
4



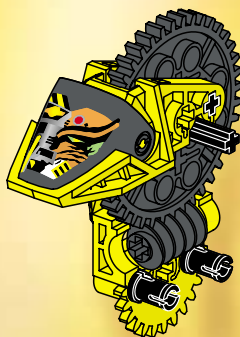
3



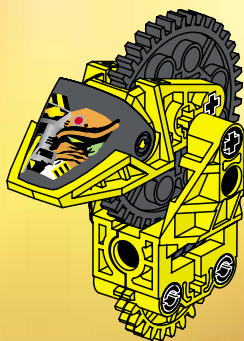
5



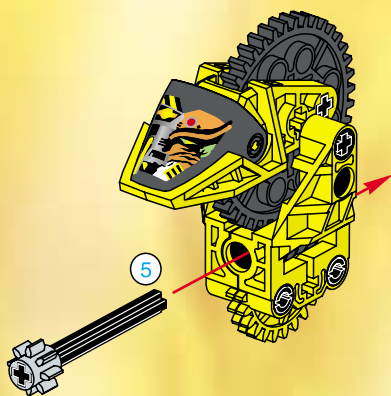
6



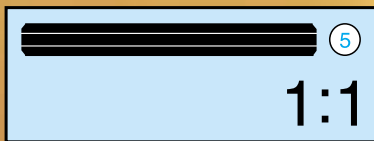
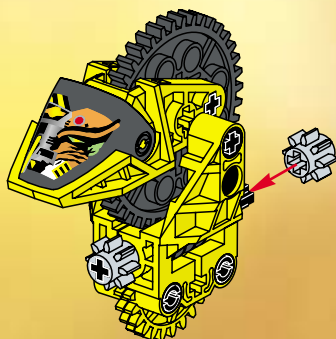
7



# 8

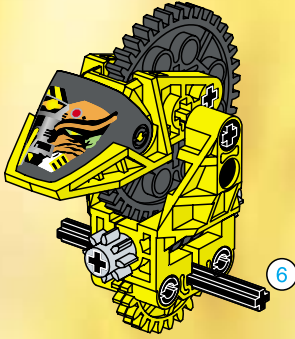


# 9

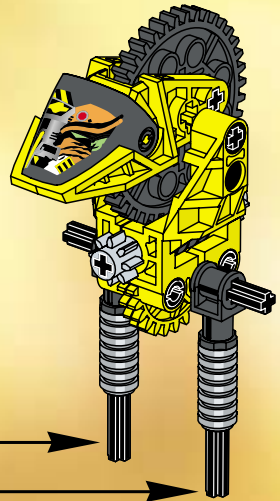
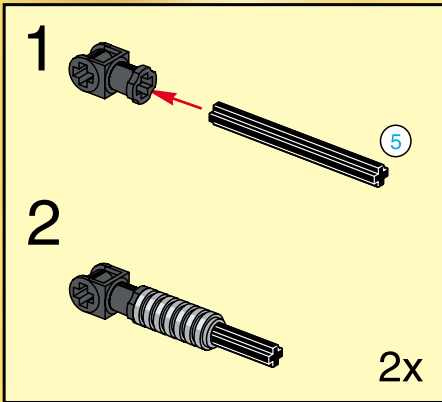


1:1

# 10

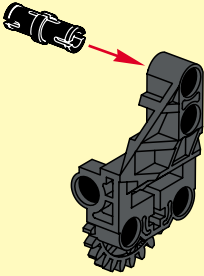


# 11

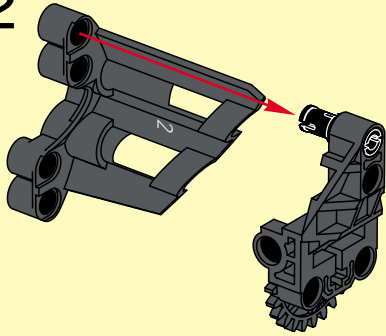




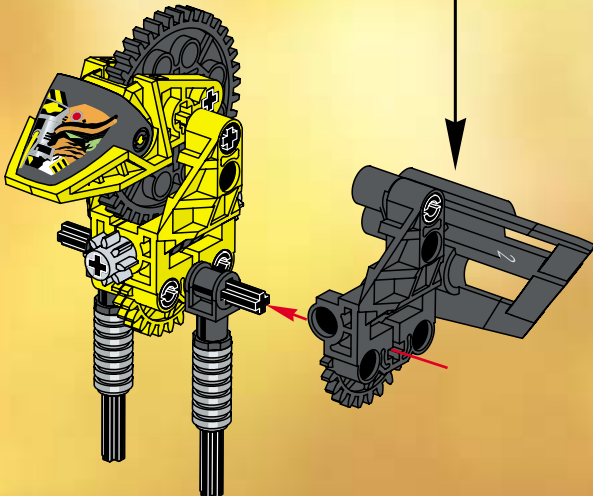
1



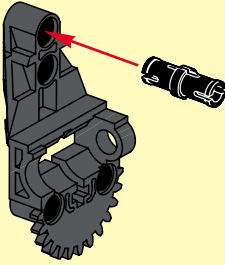
2



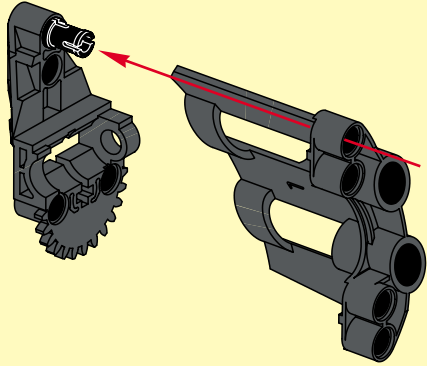
12



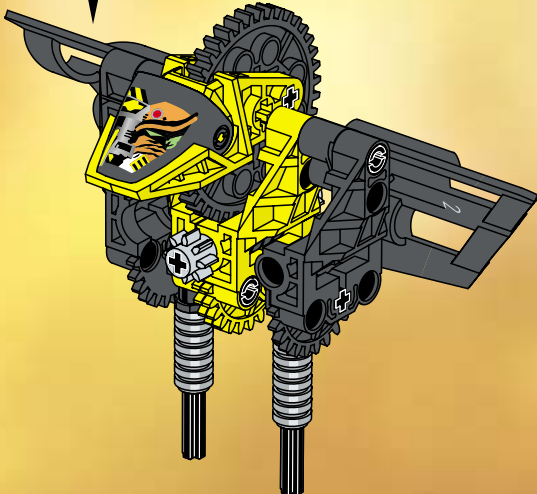
1



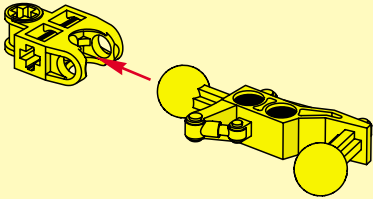
2



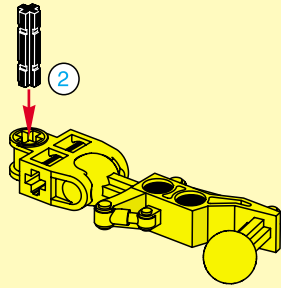
13



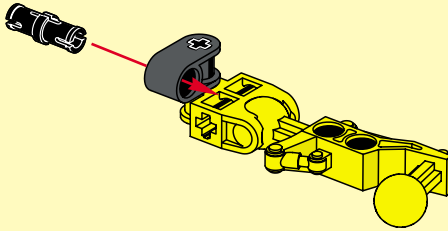
1



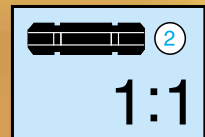
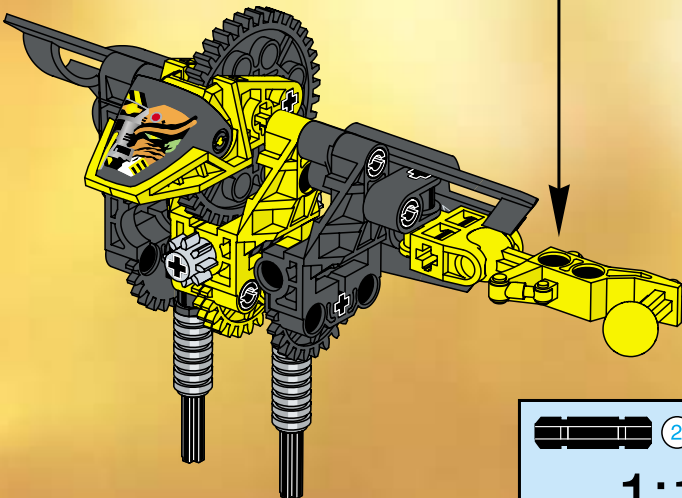
2



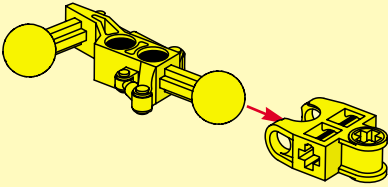
3



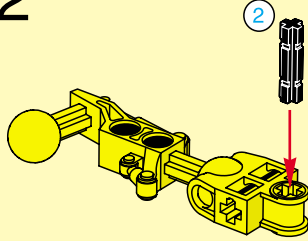
14



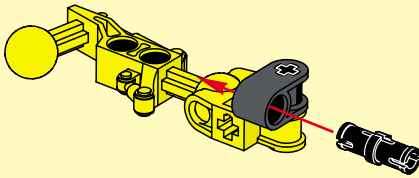
1



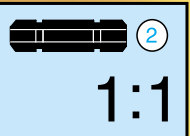
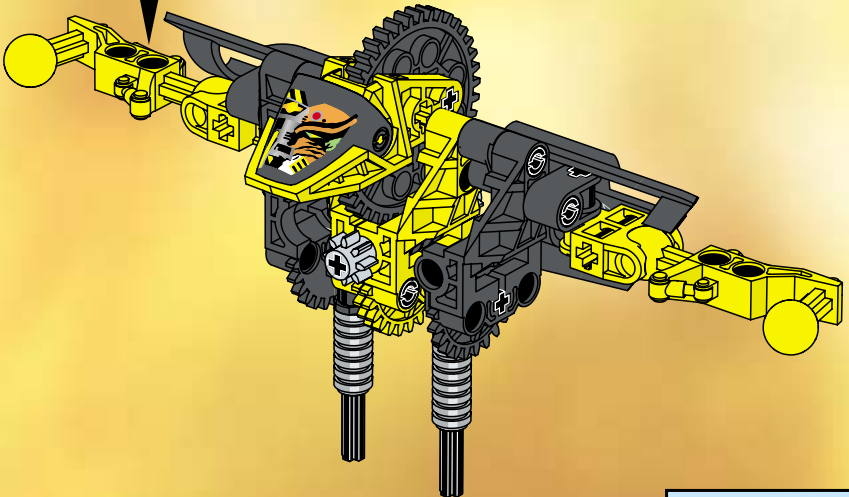
2

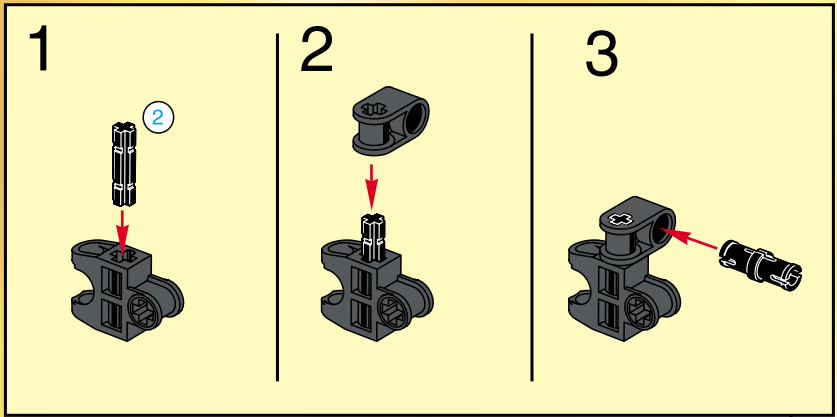


3

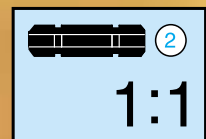
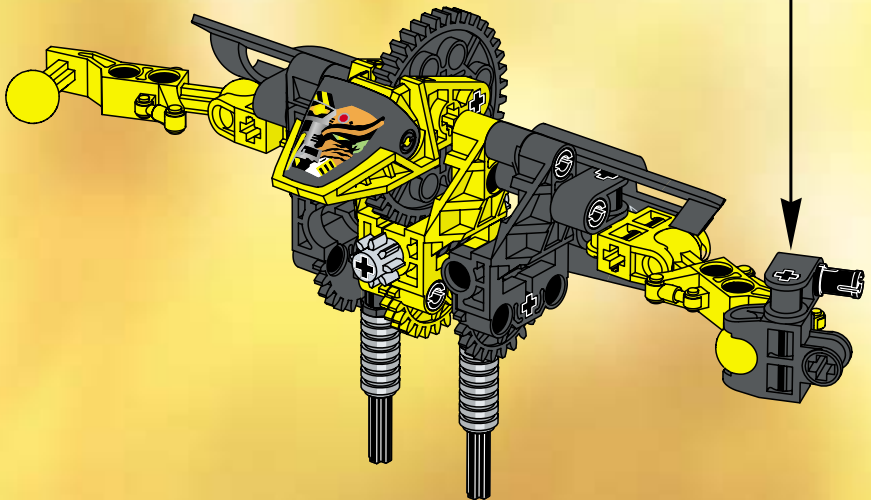


15

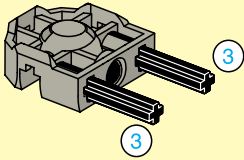




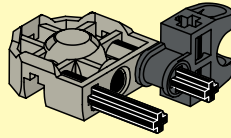
16



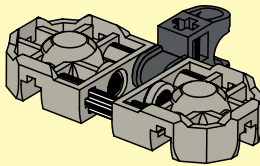
1



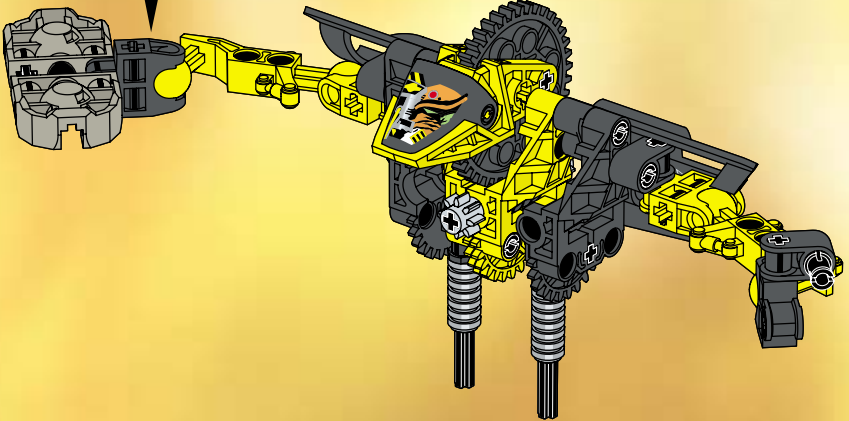
2



3

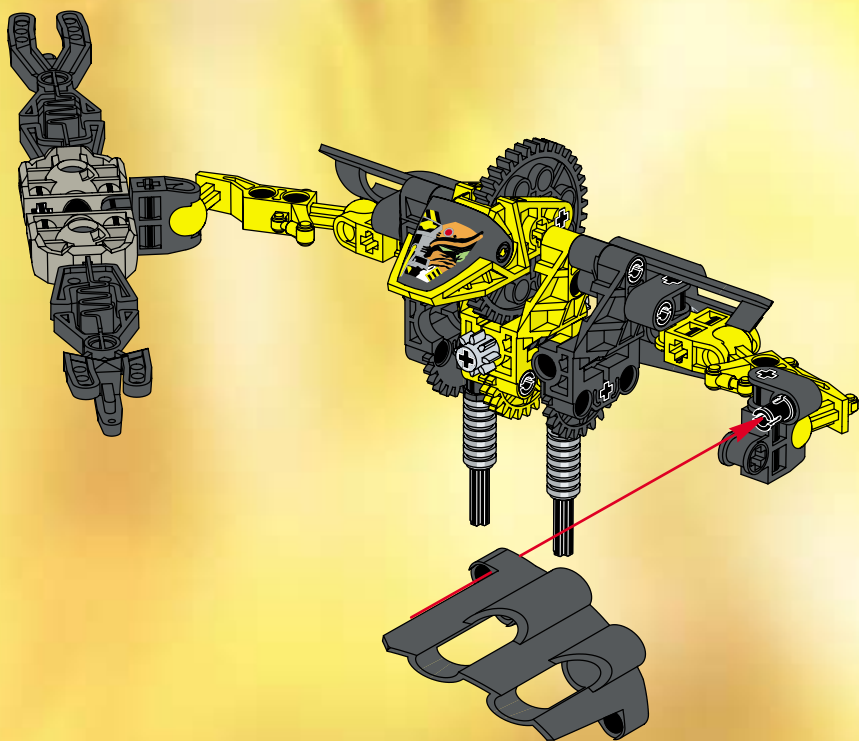


17

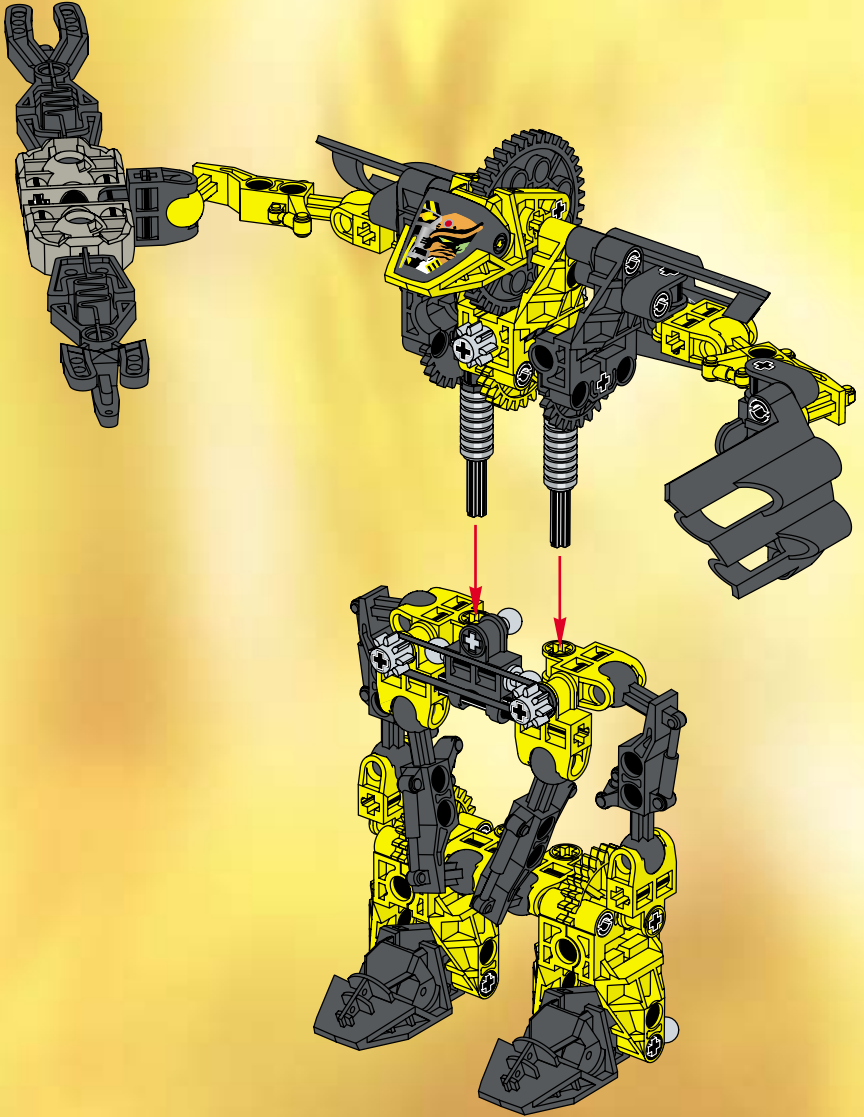


1:1

# 18



# 19





# 20







**8521**

**+**



**=**



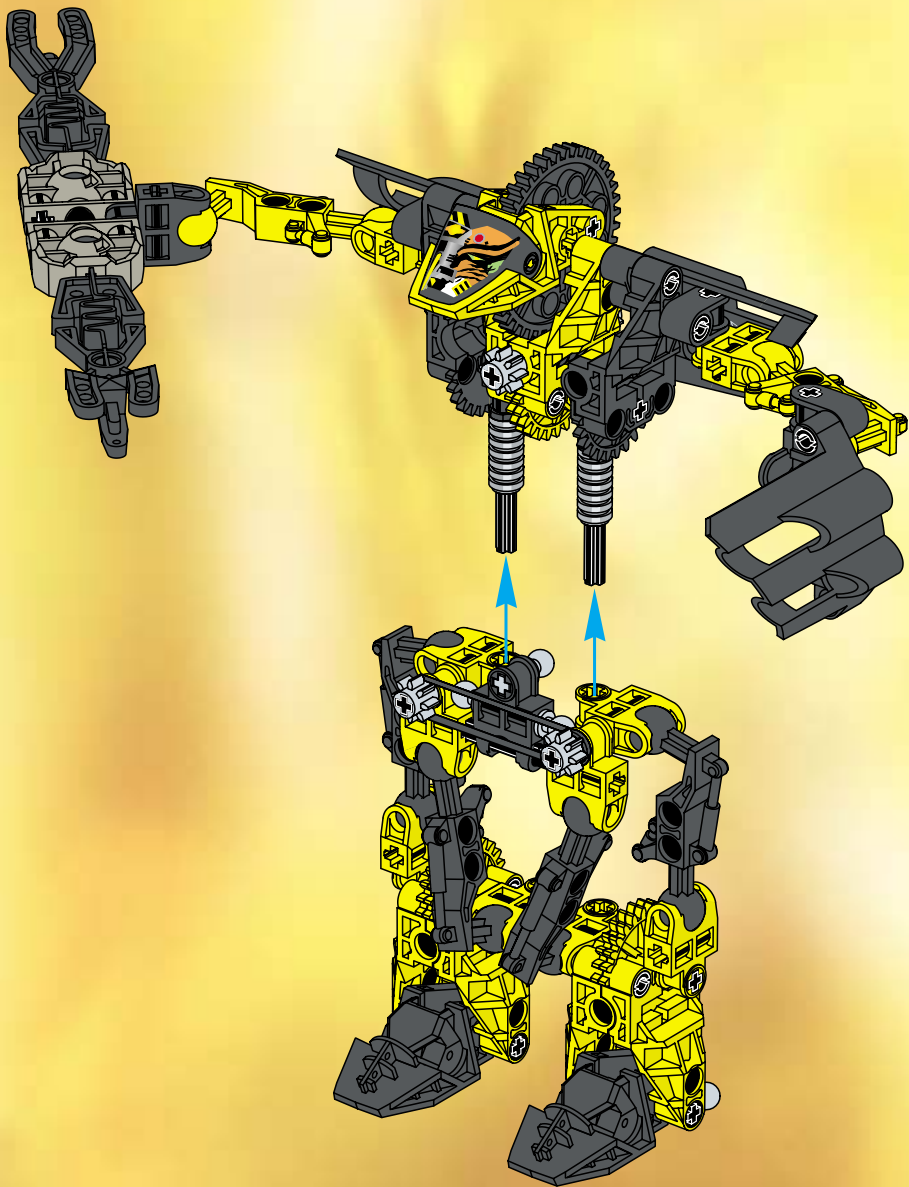
**8523**

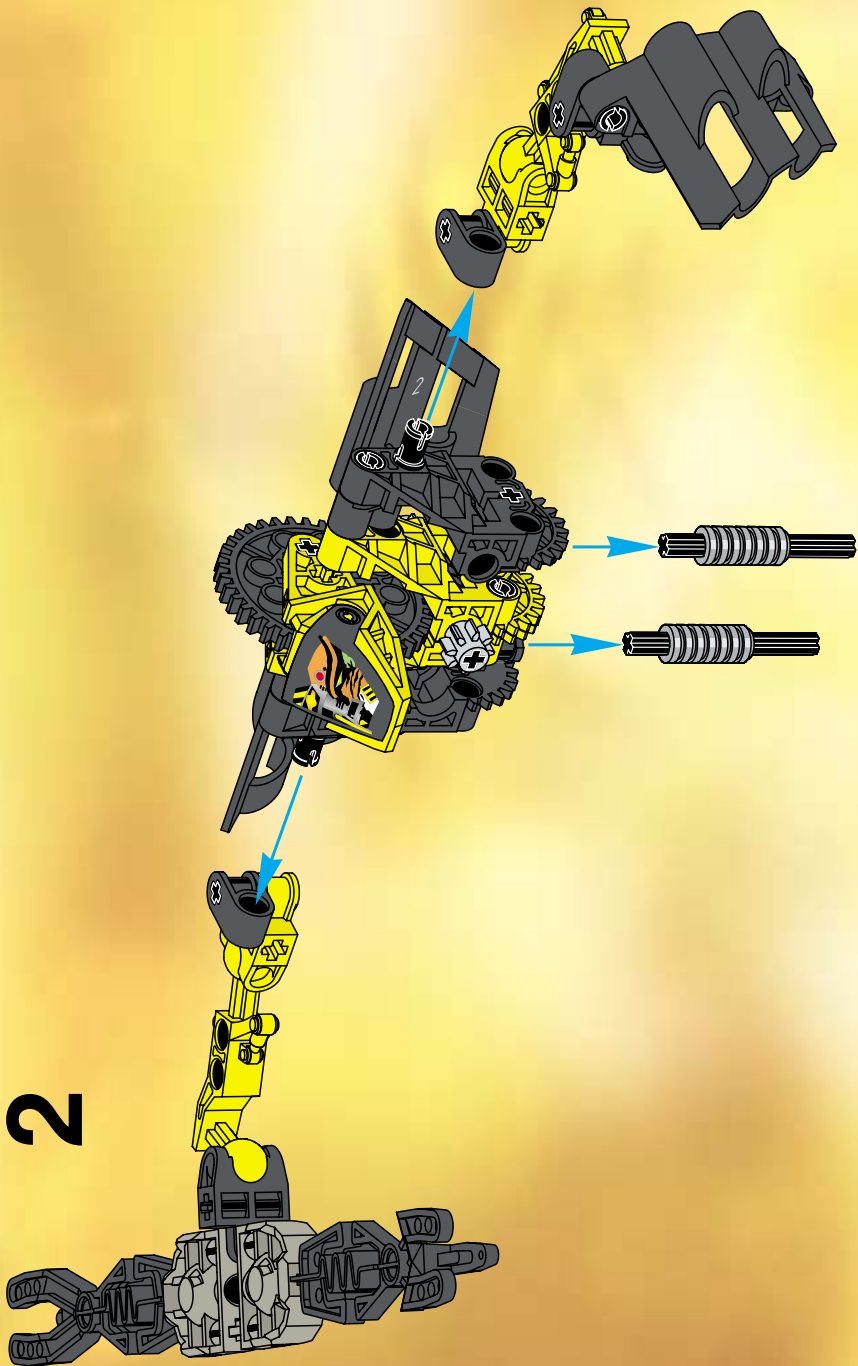
**+**

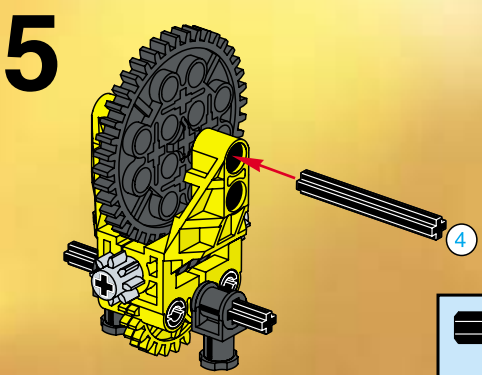
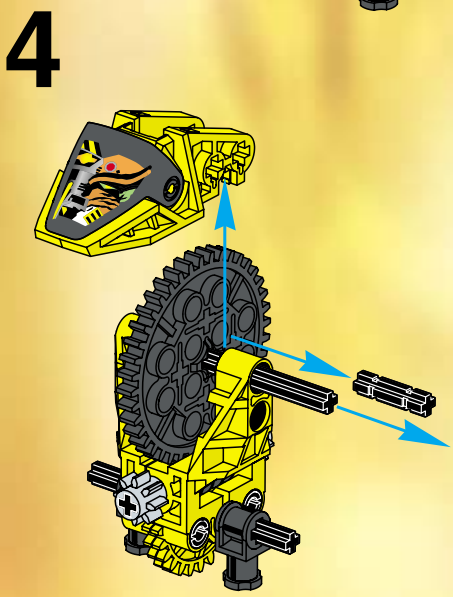
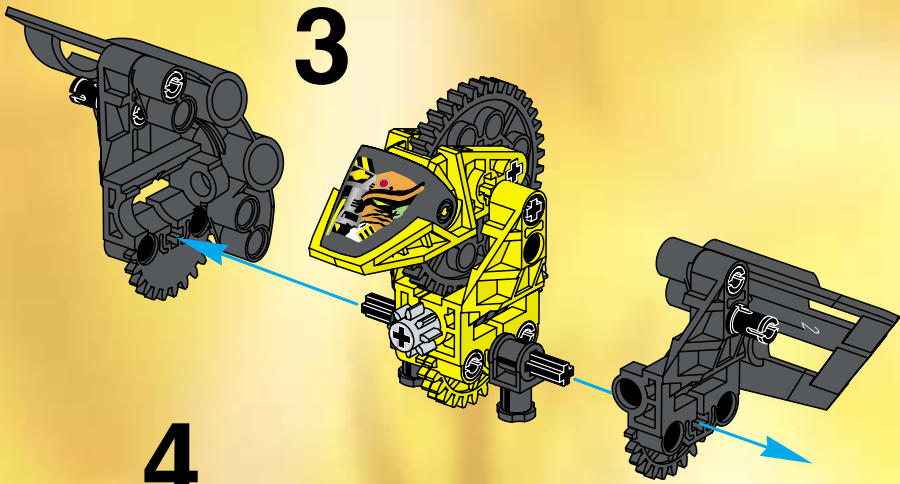


**8522**

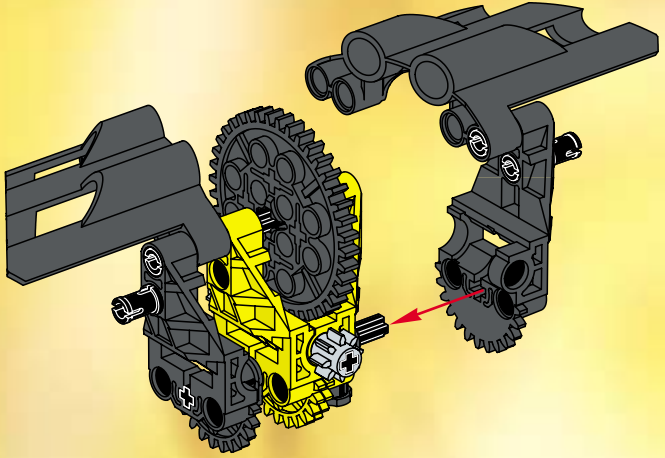
1



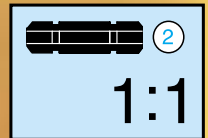
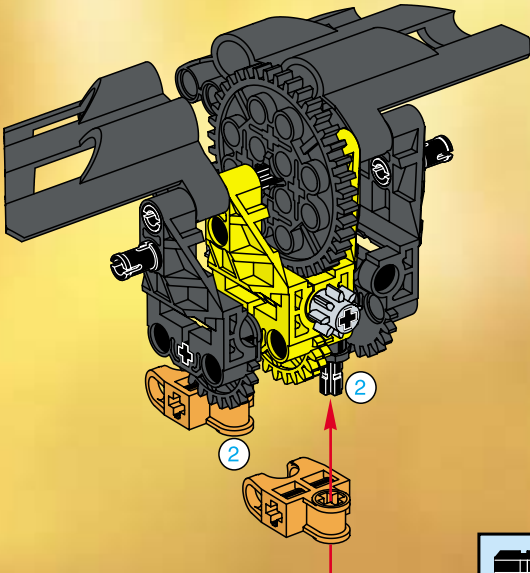




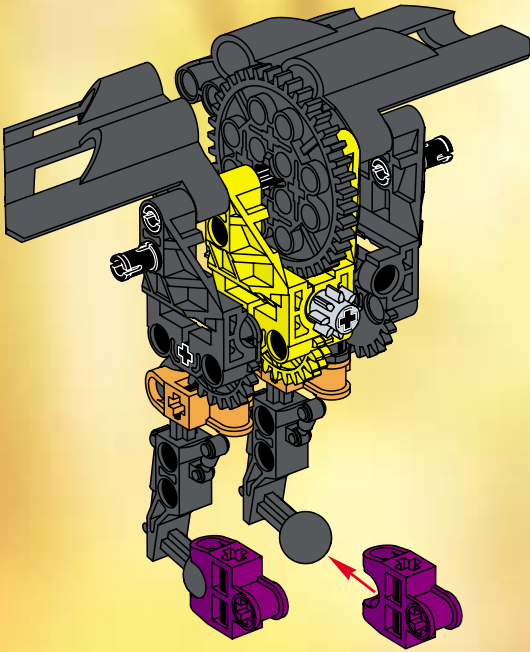
# 6



# 7

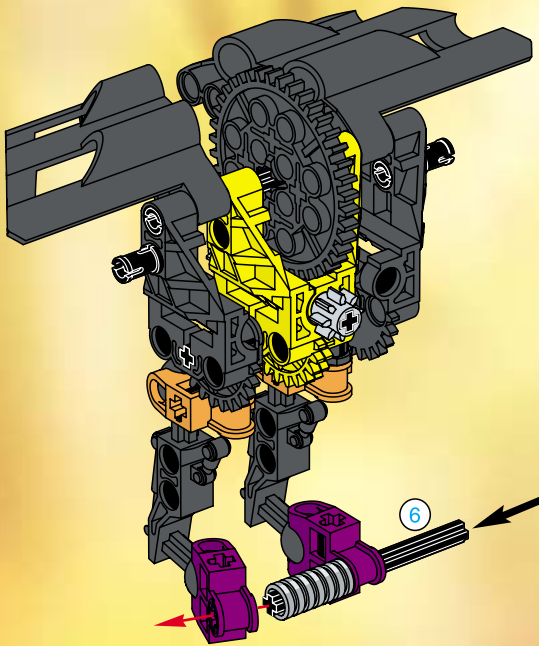


# 8

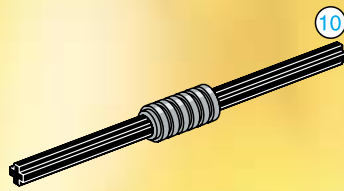




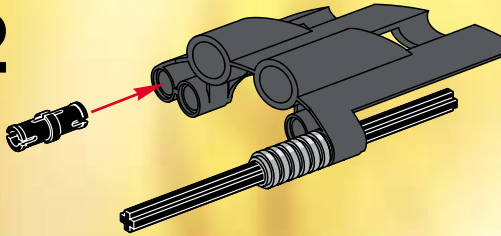
# 9



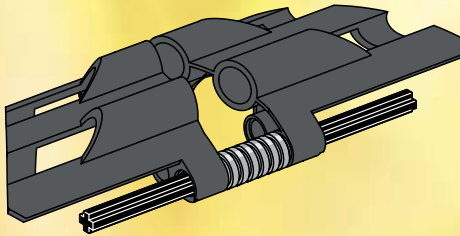
1



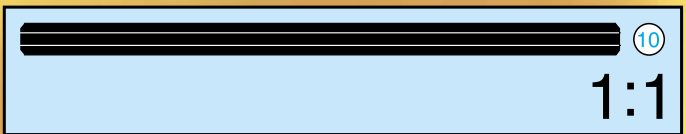
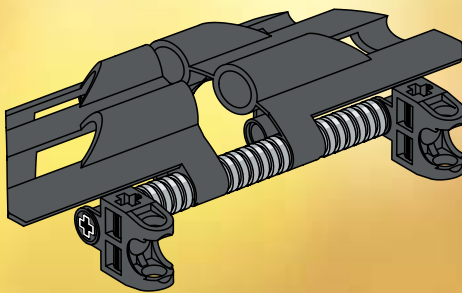
2



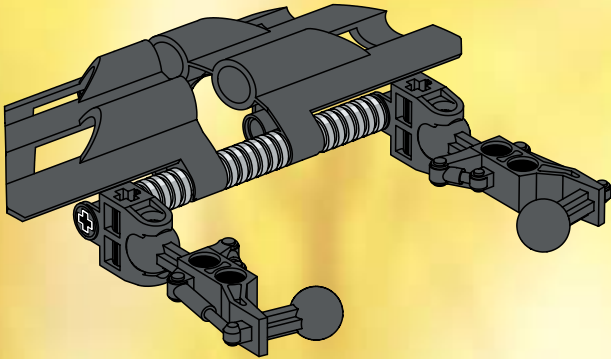
3



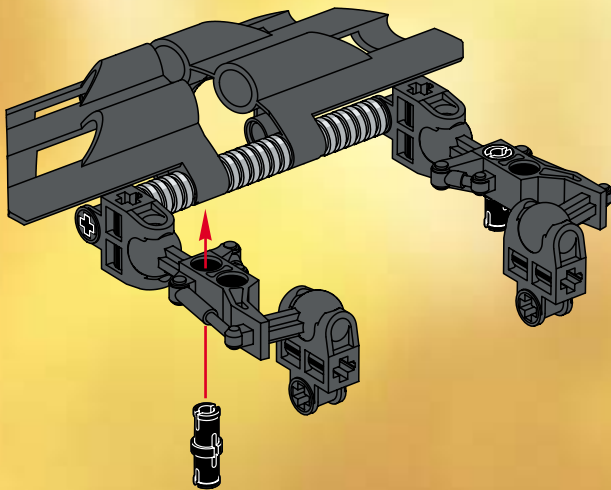
4



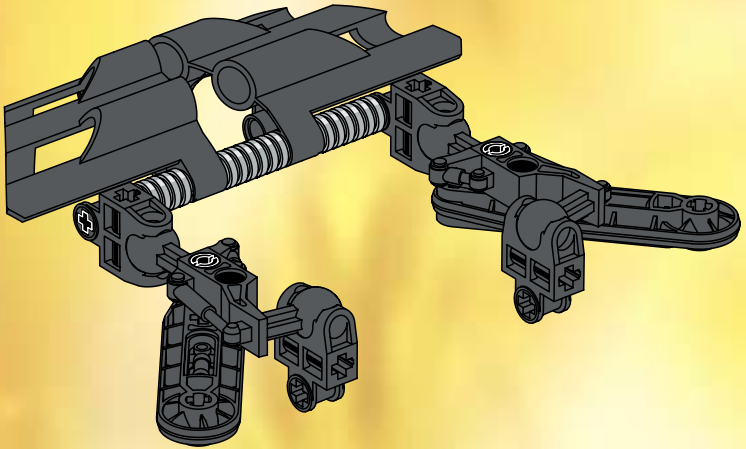
5



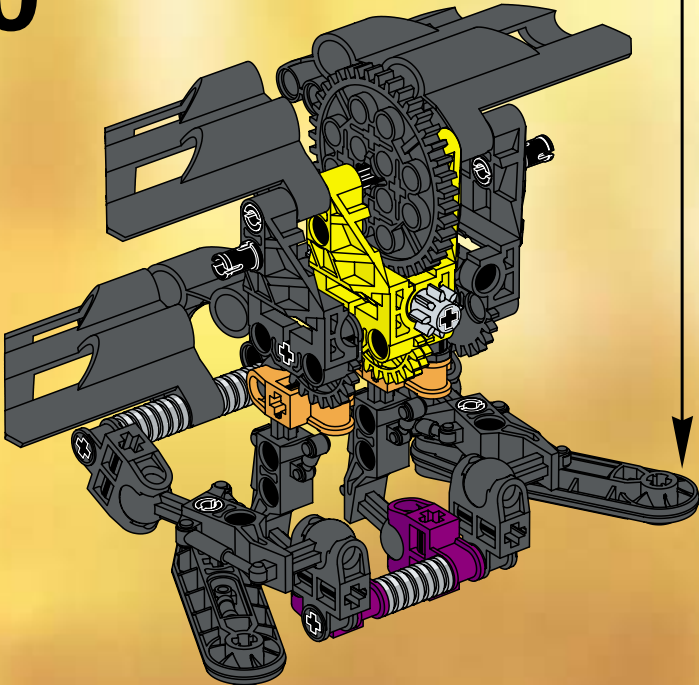
6



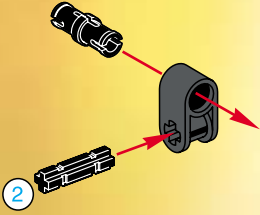
7



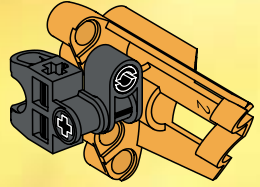
10



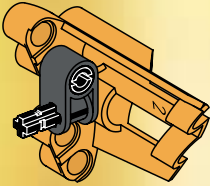
# 1



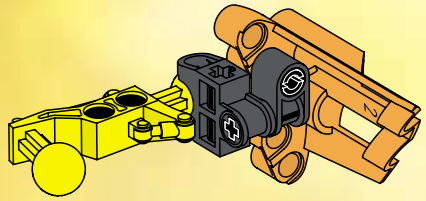
# 3



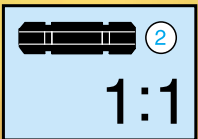
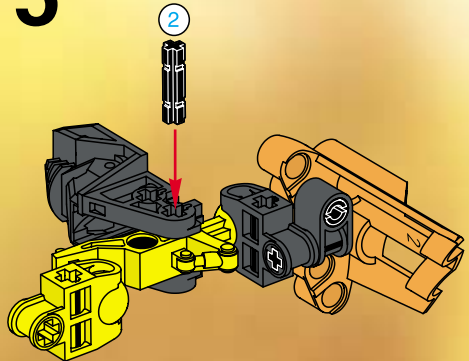
# 2



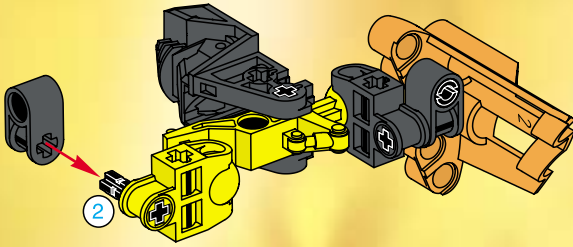
# 4



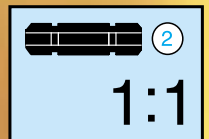
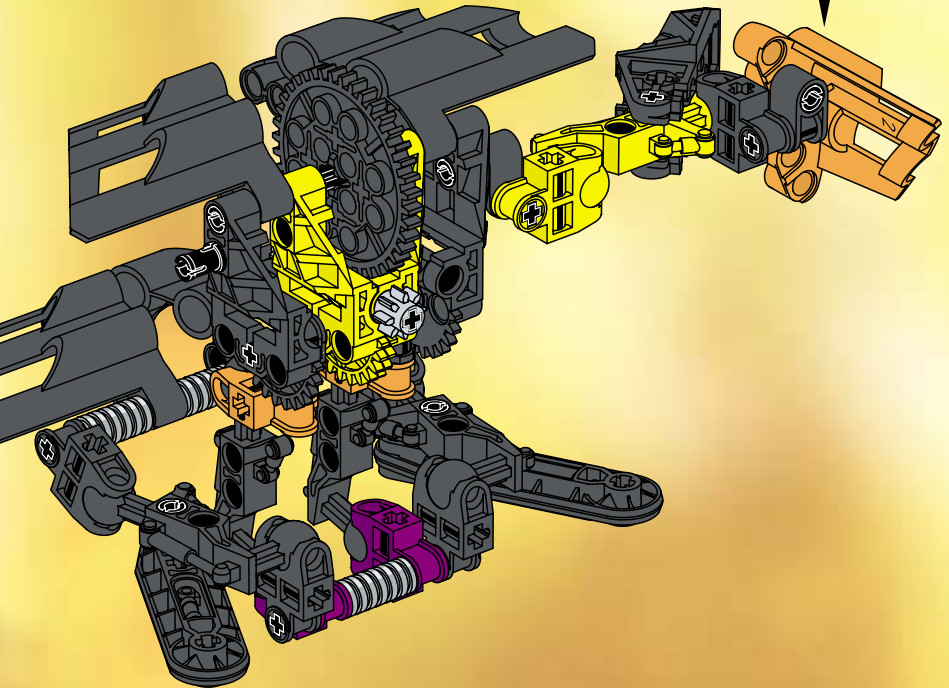
# 5



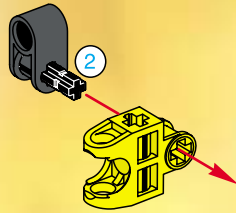
# 6



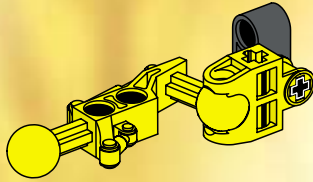
# 11



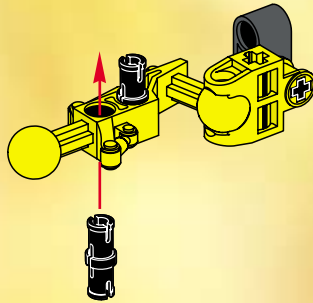
1



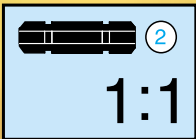
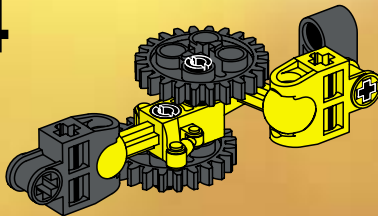
2



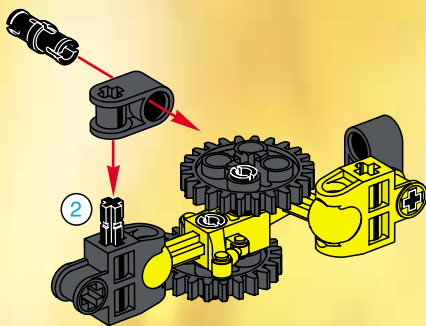
3



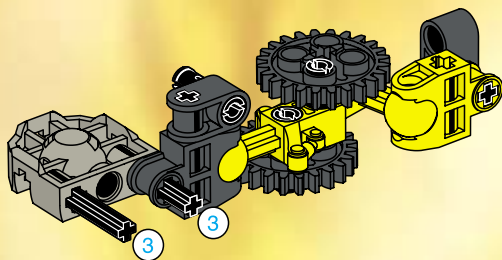
4



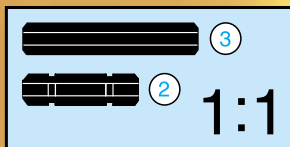
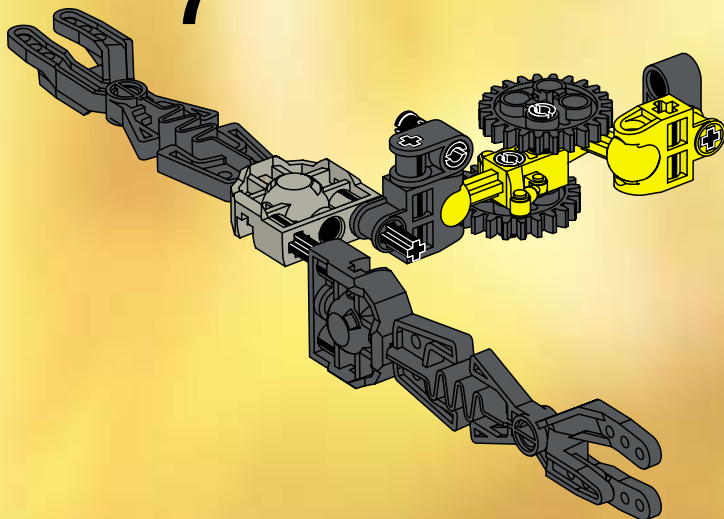
5



6

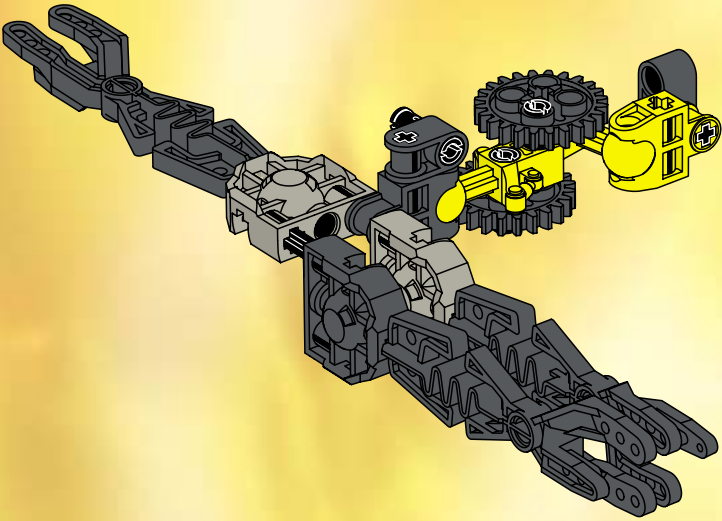


7

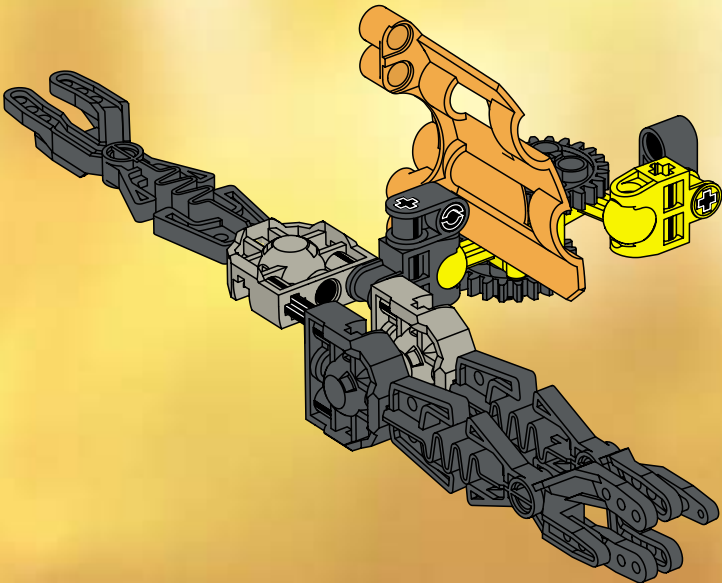


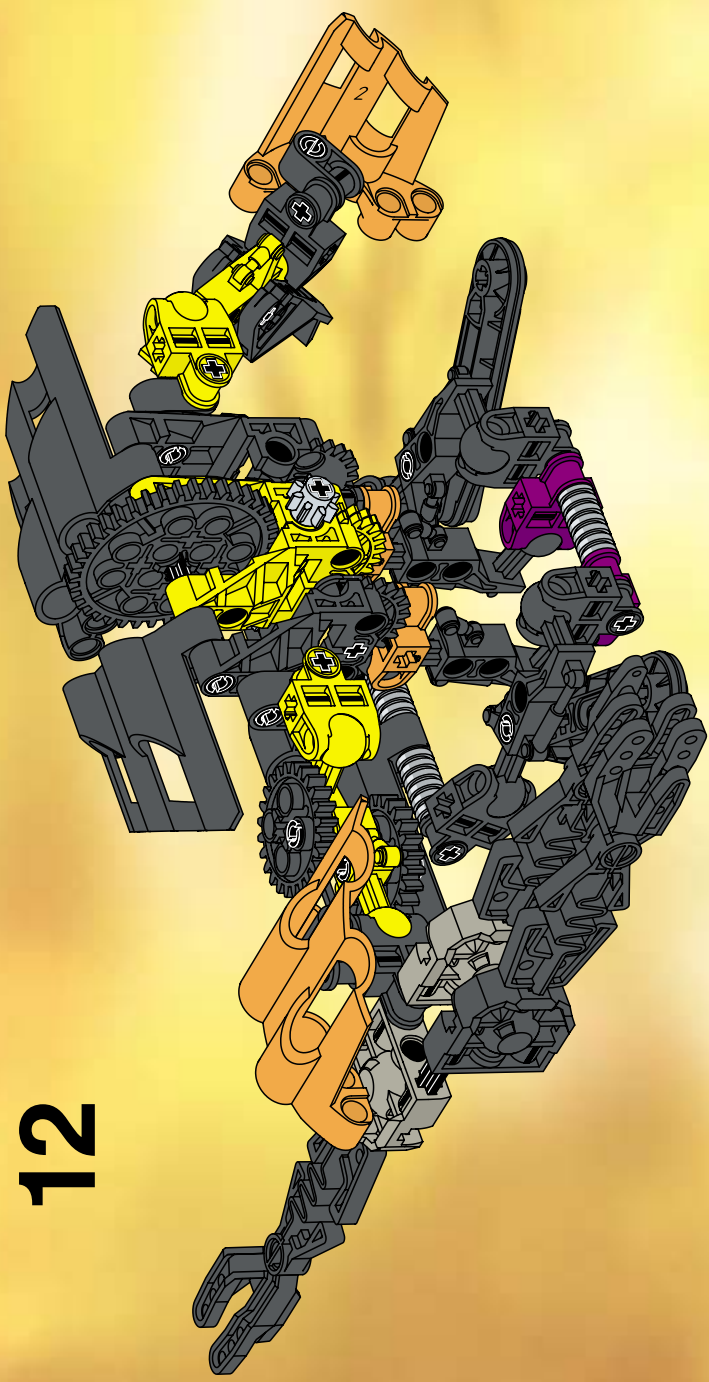


8

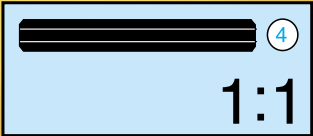
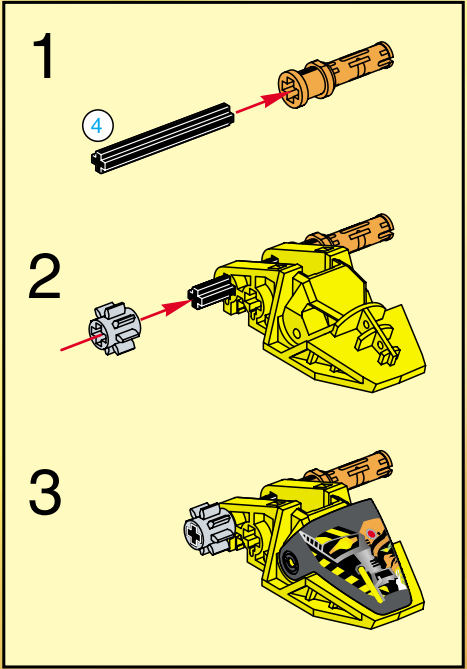
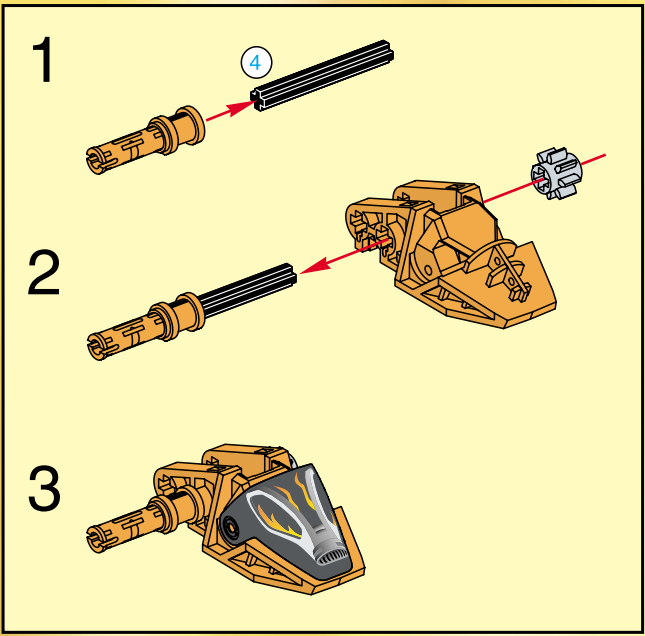


9

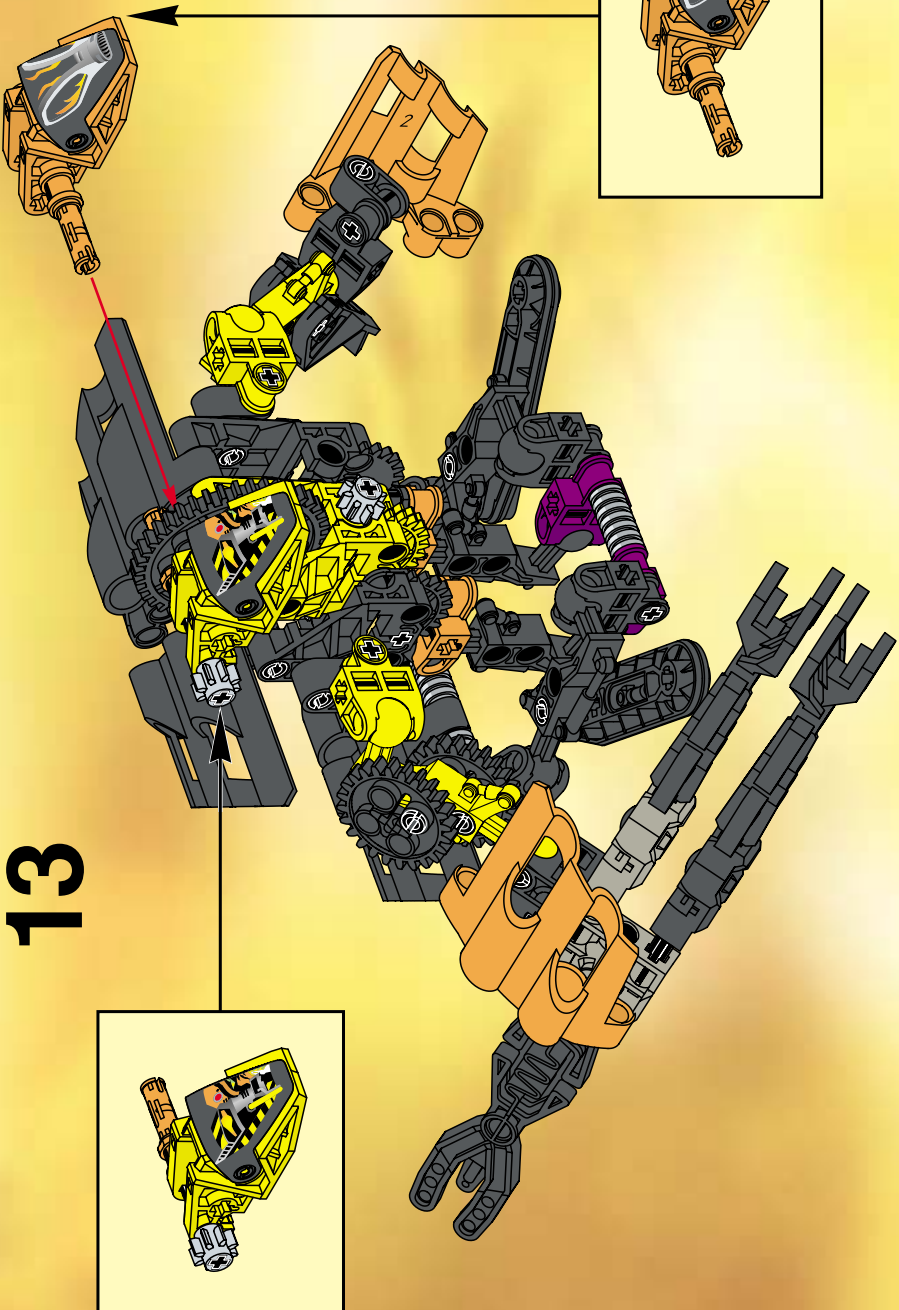




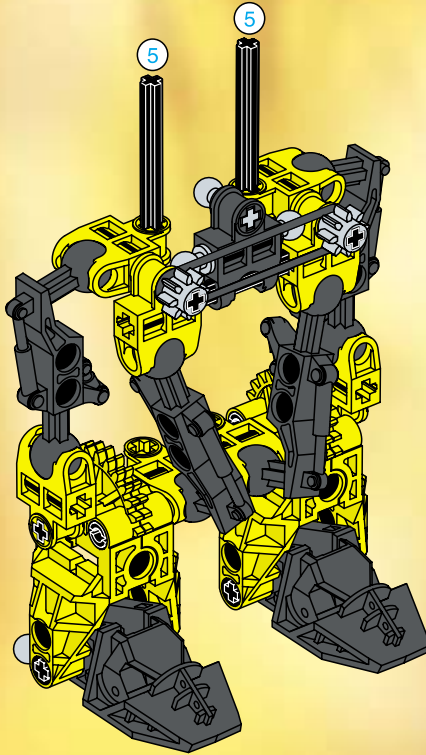
12



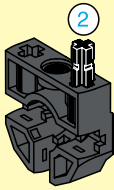
13



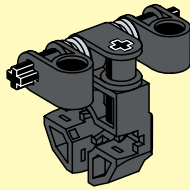
# 14



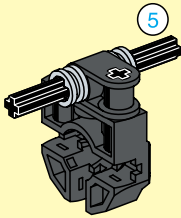
1



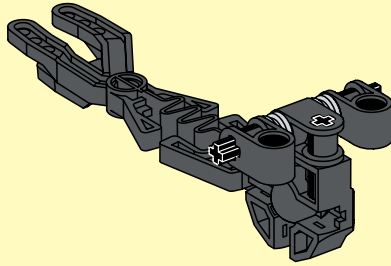
3



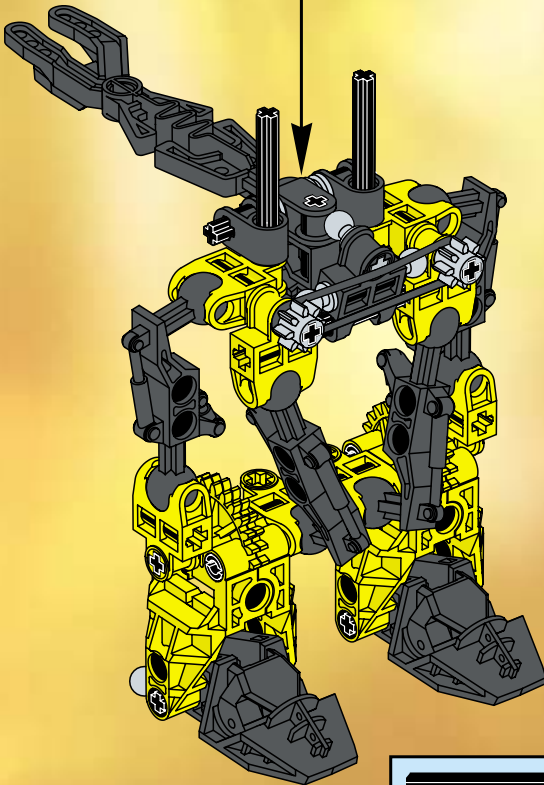
2

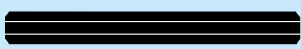



4

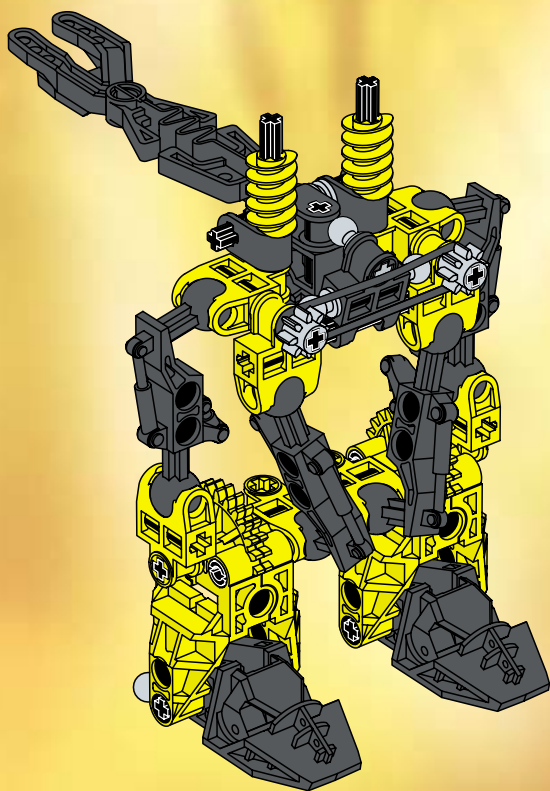


15



	5	1:1
	2	

# 16



# 17

