



STAR WARS

MINI BUILDING SET

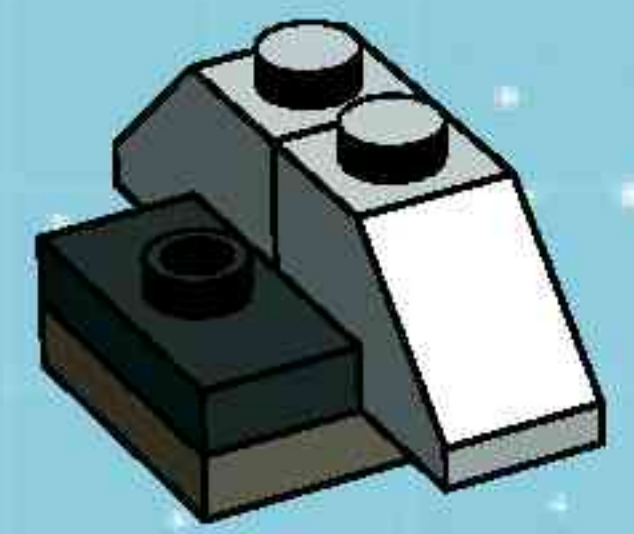
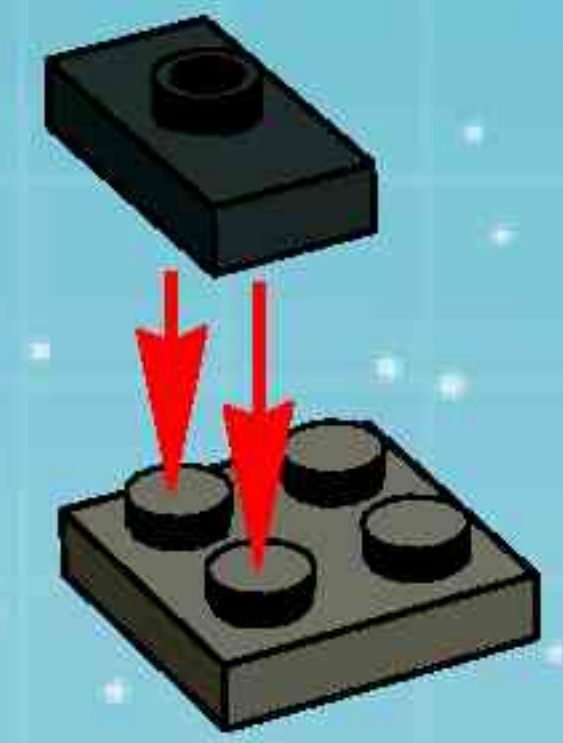
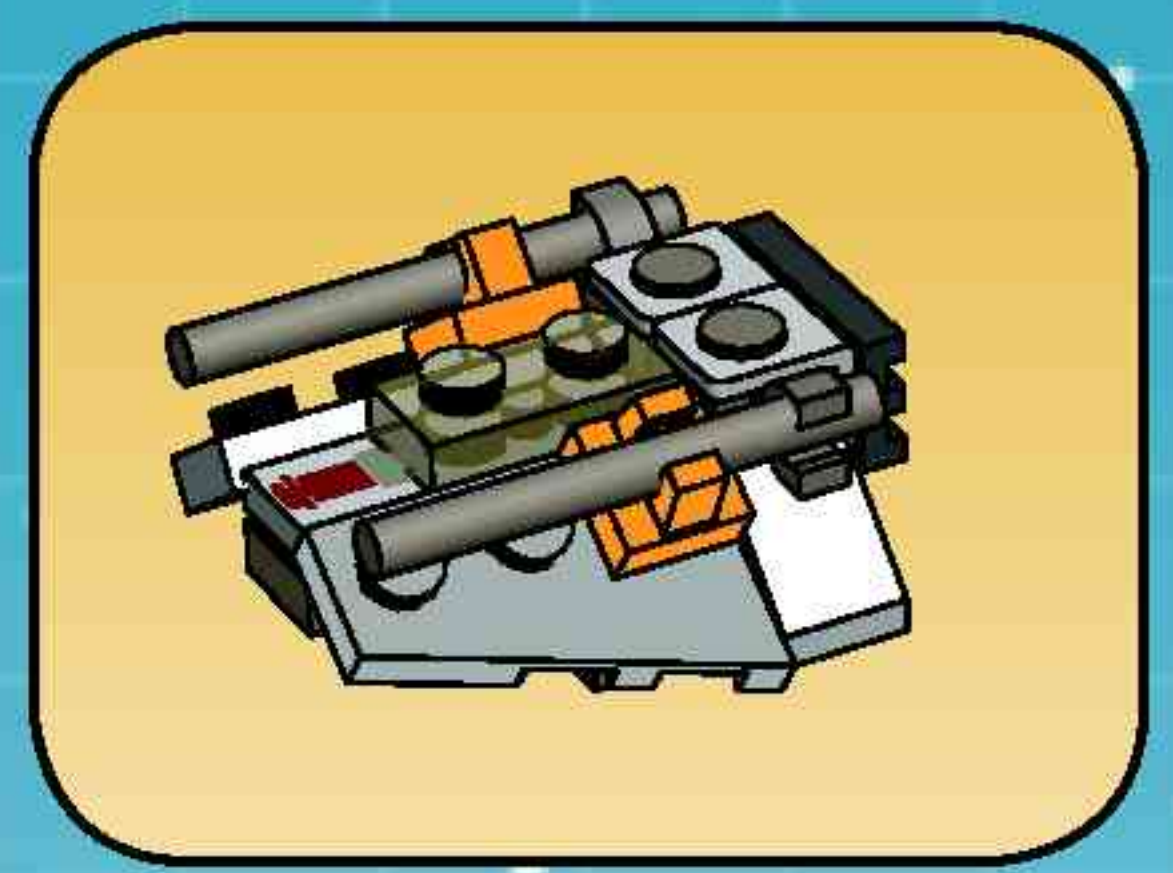
4486

Snowspeeder™

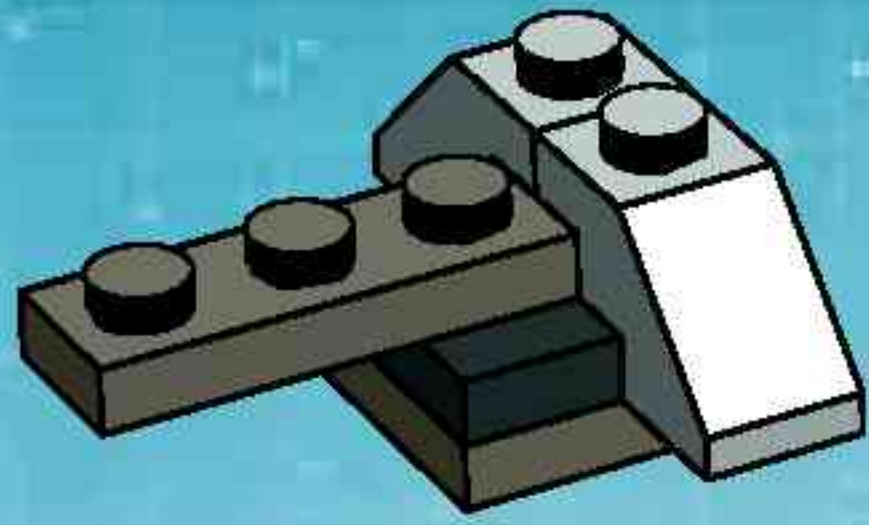


MINI

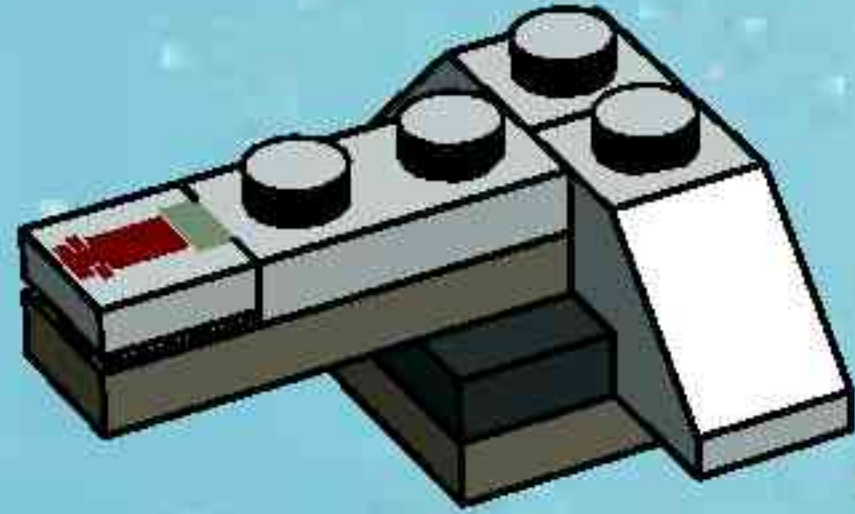
4193296



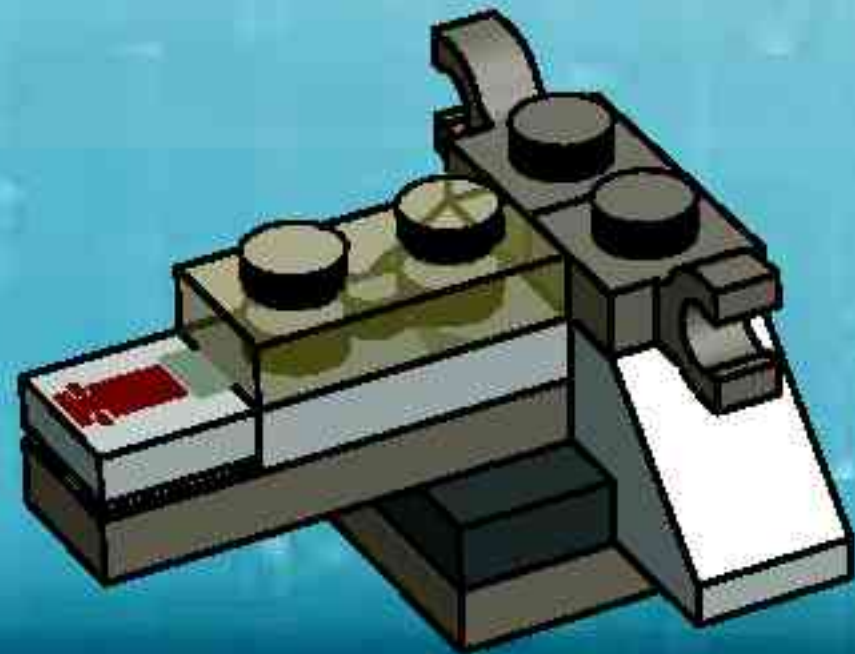
3



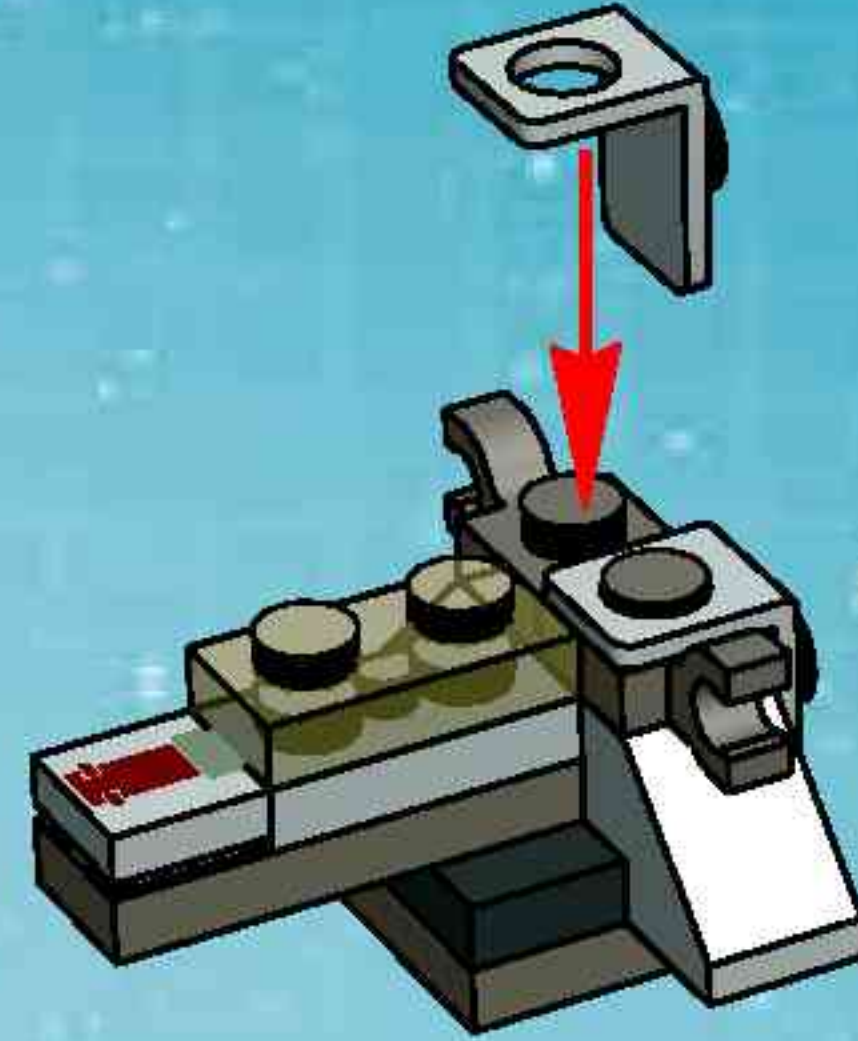
4



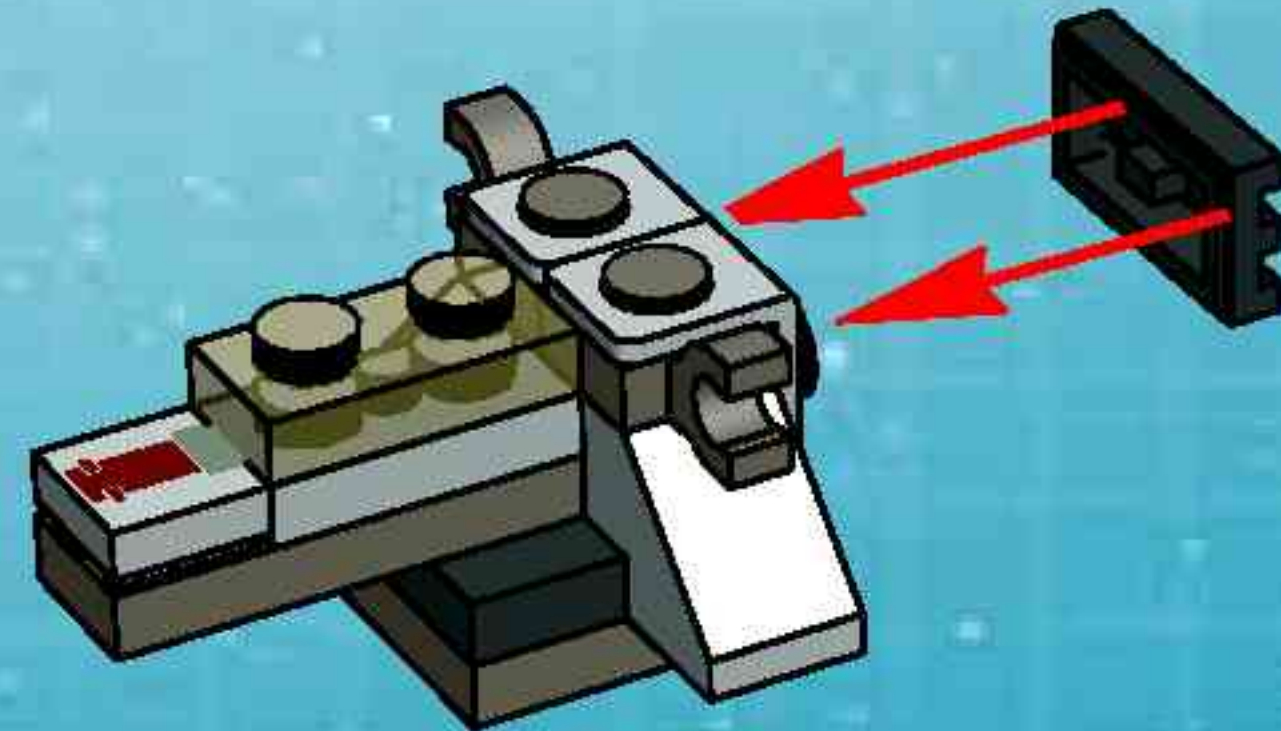
5



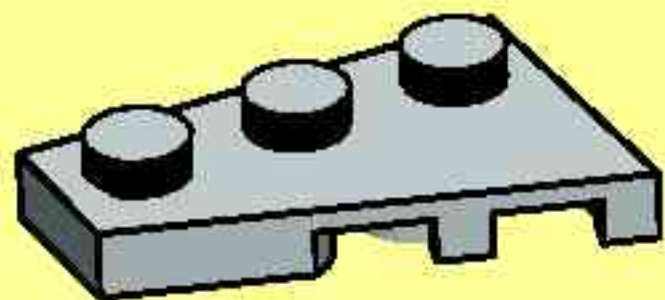
6



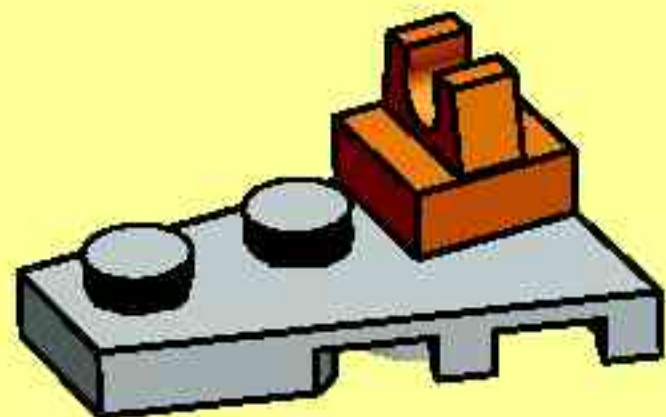
7



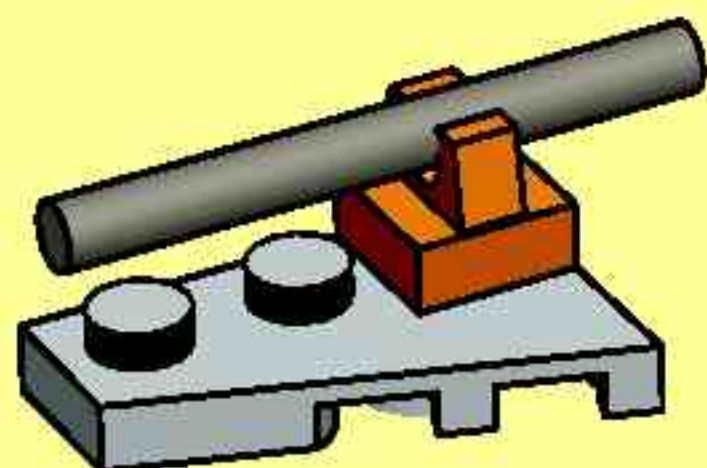
1



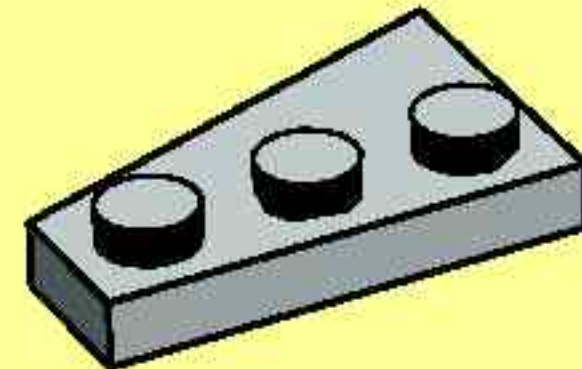
2



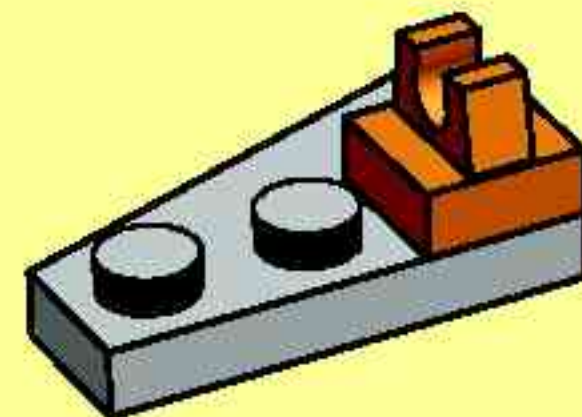
3



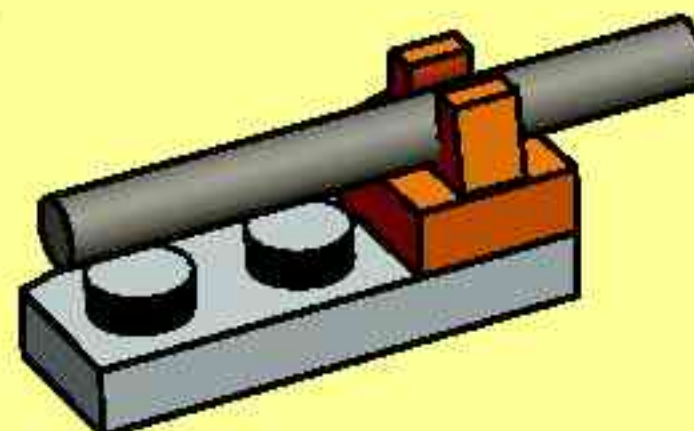
1

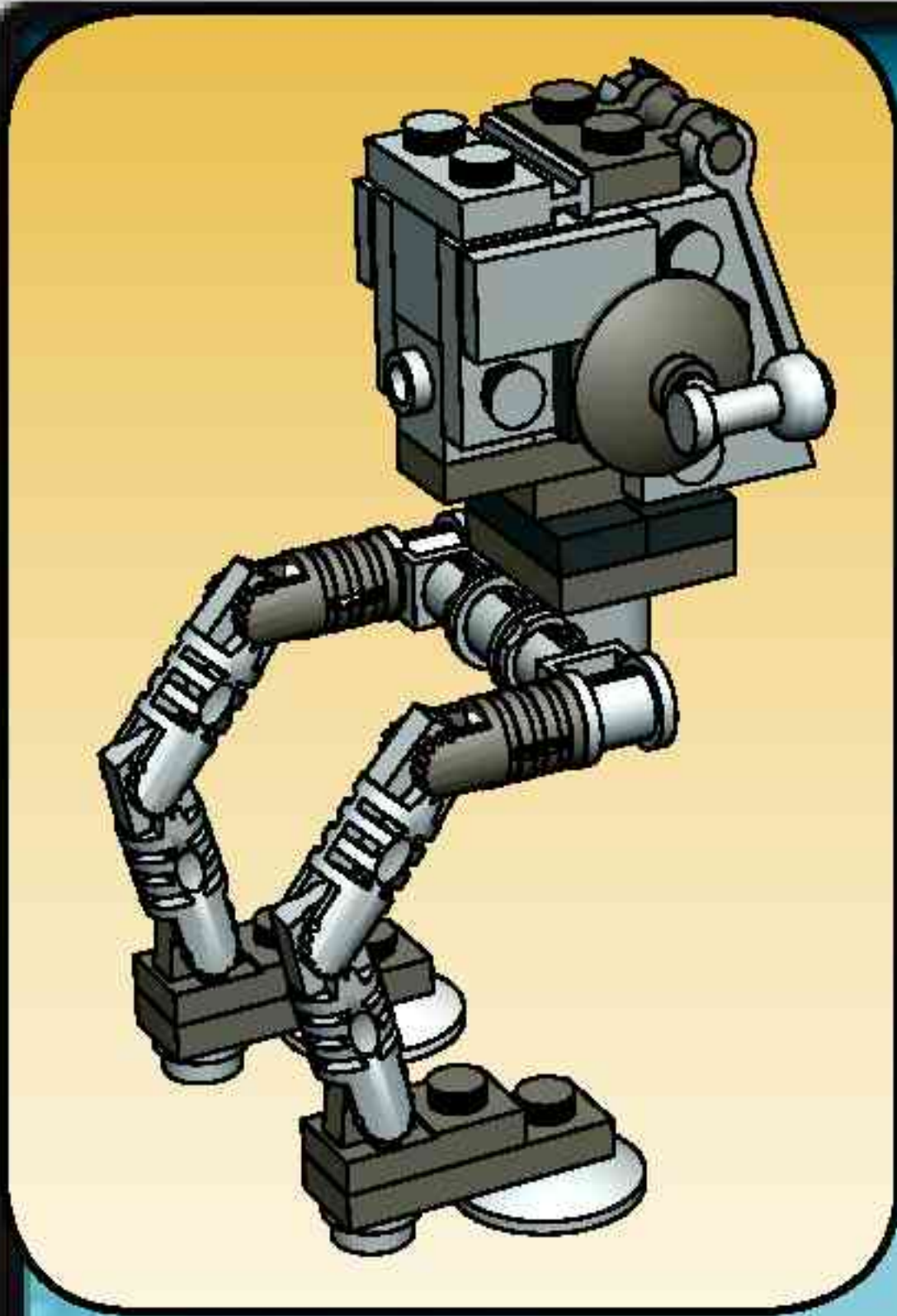


2

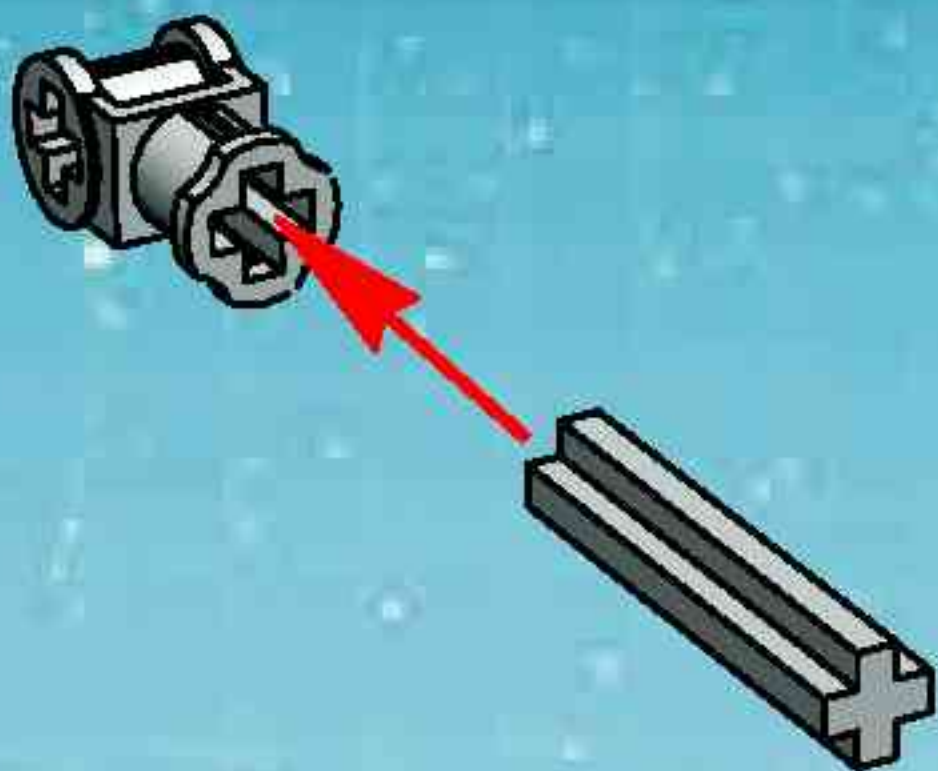


3

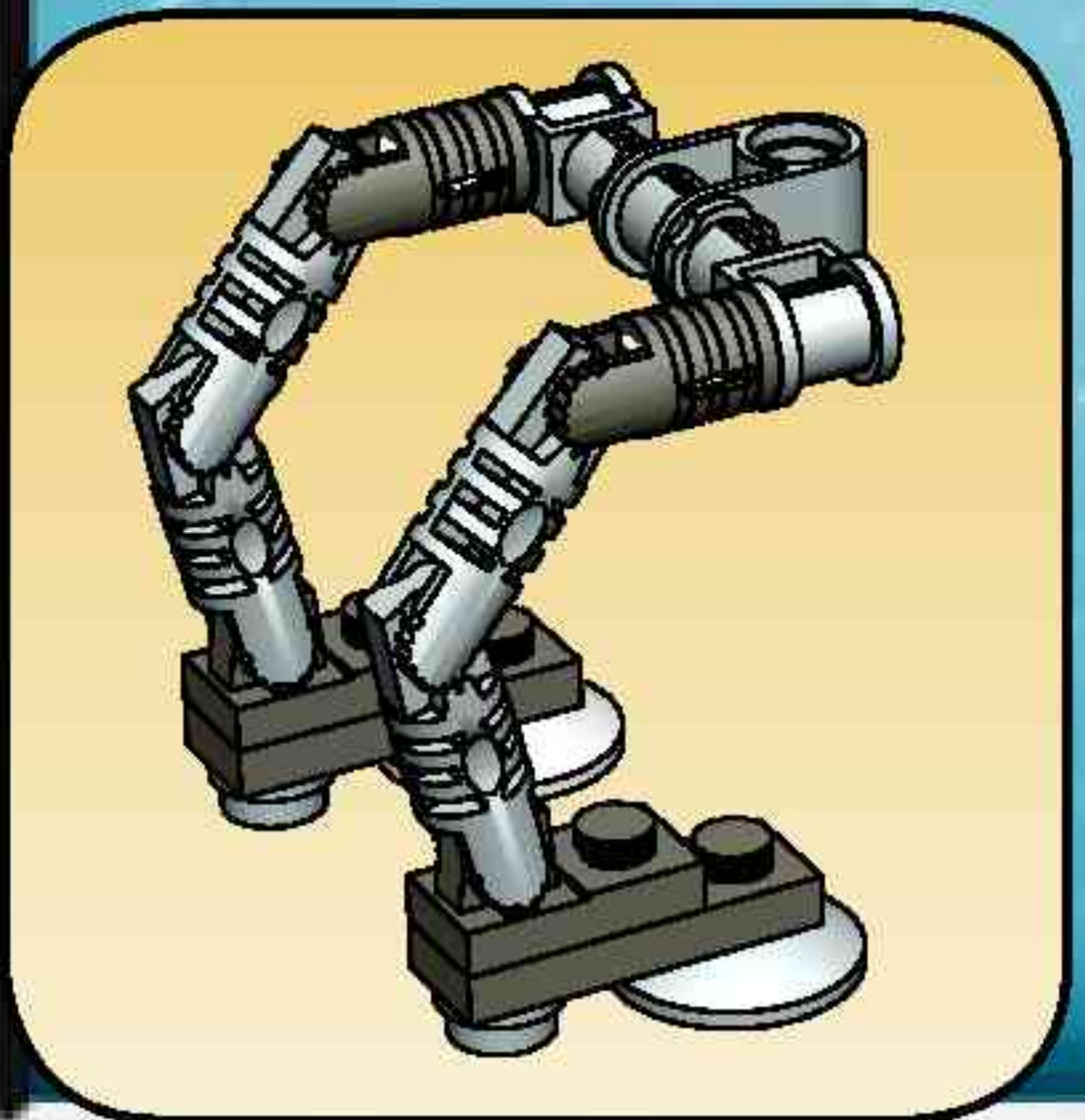
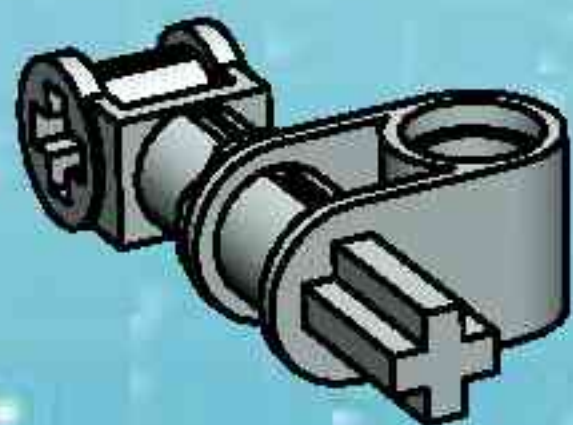




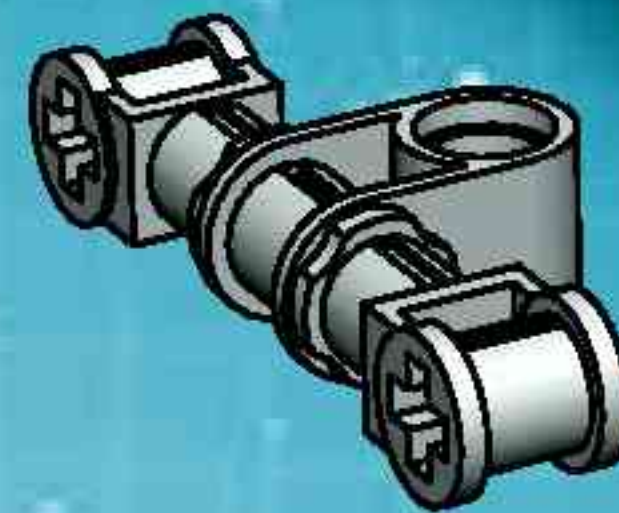
1



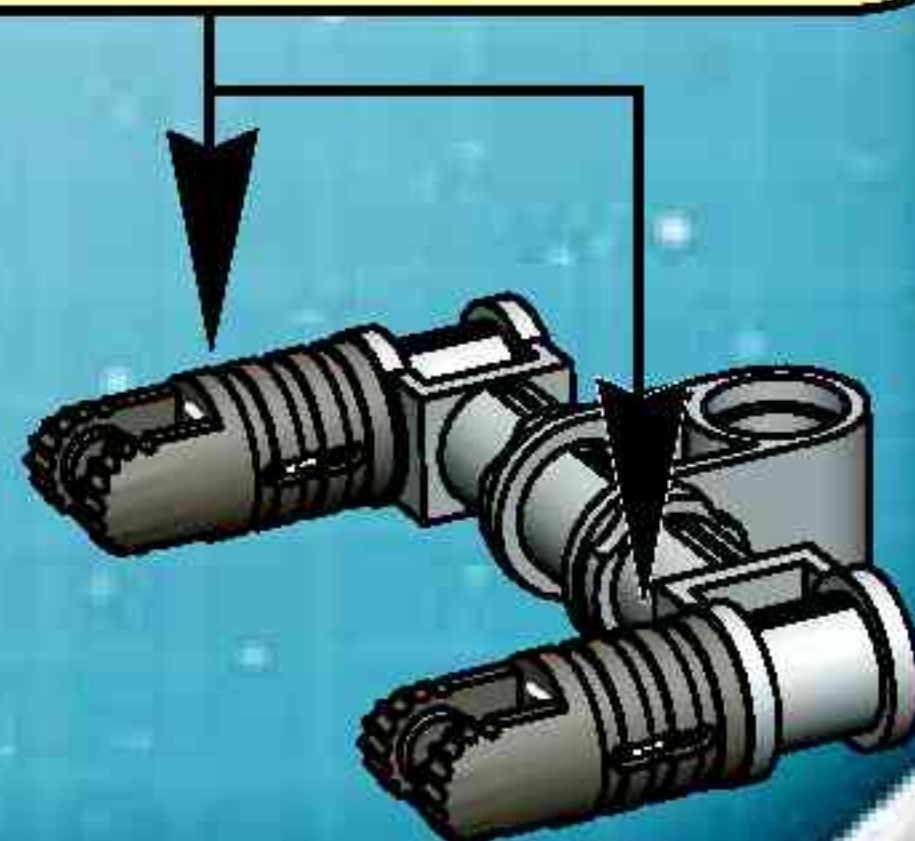
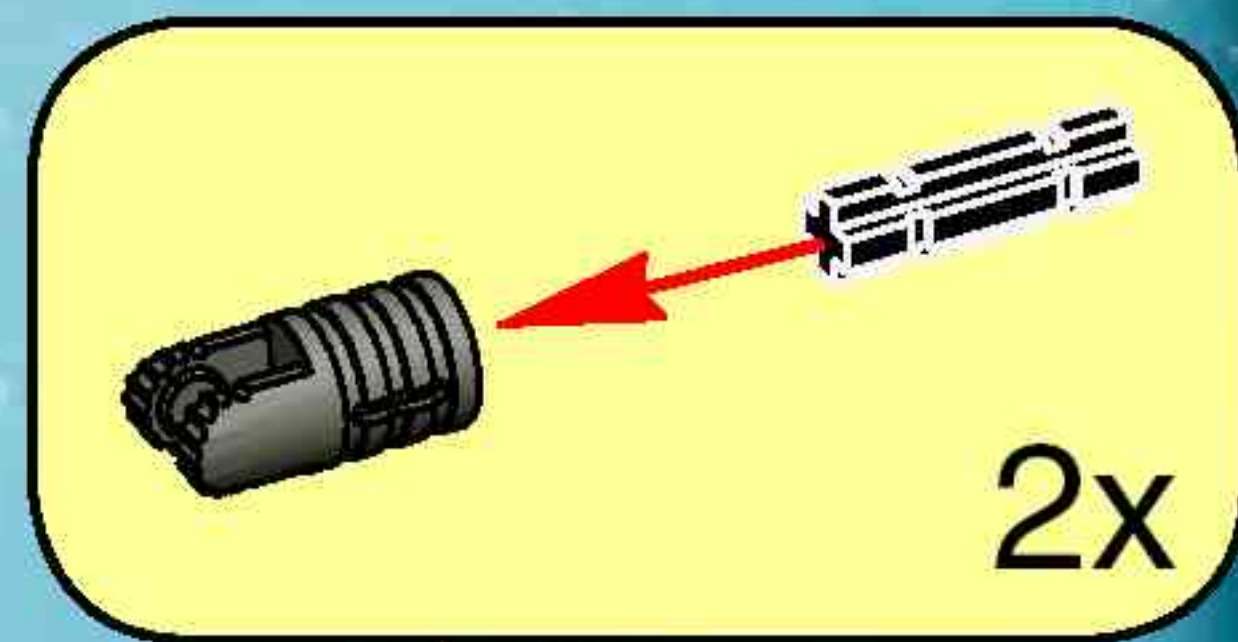
2



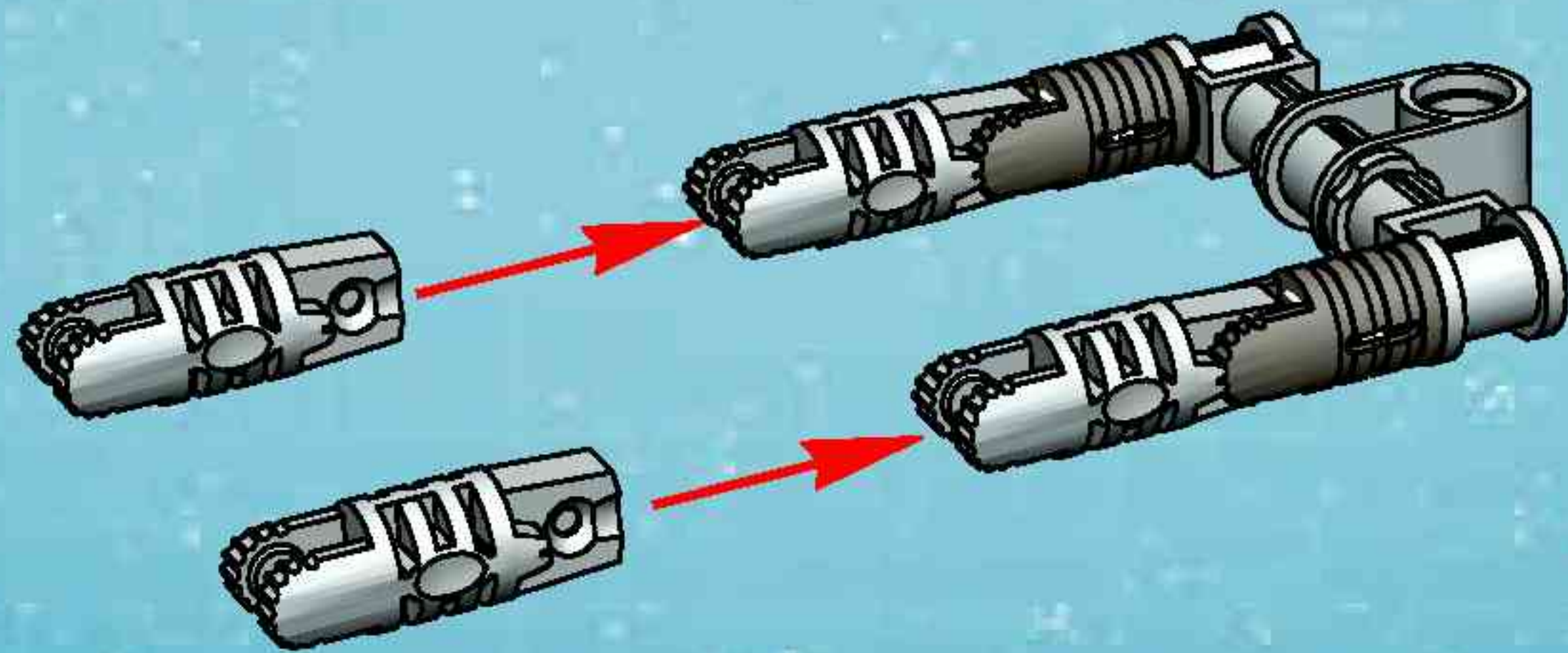
B



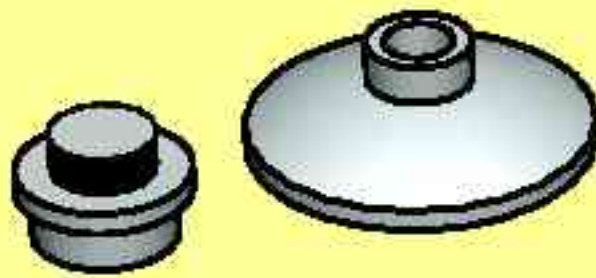
4



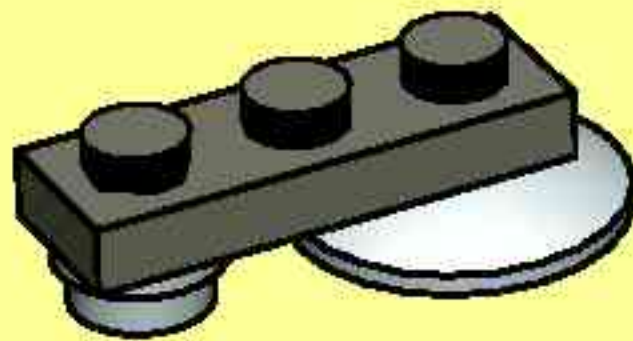
5



1



2

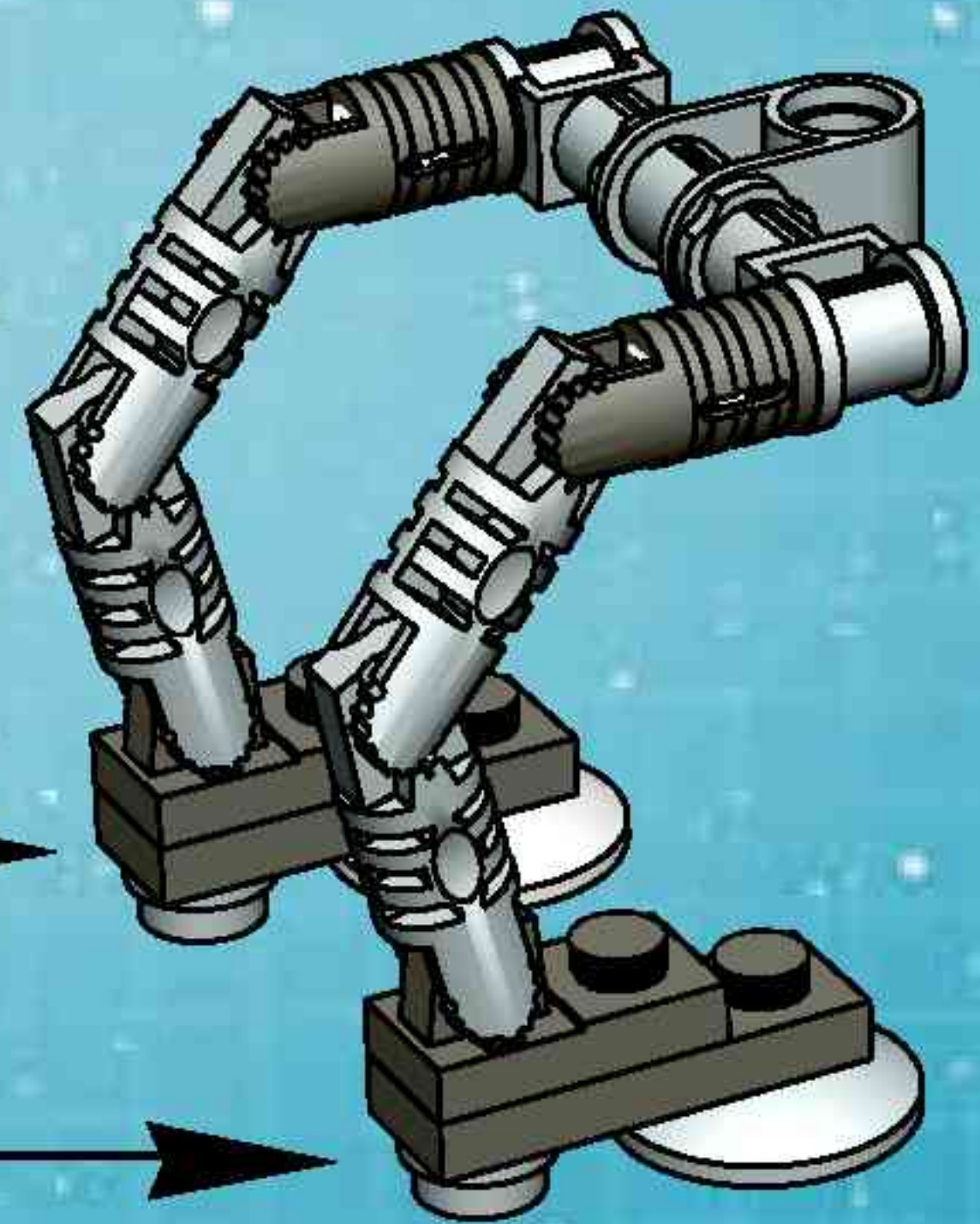


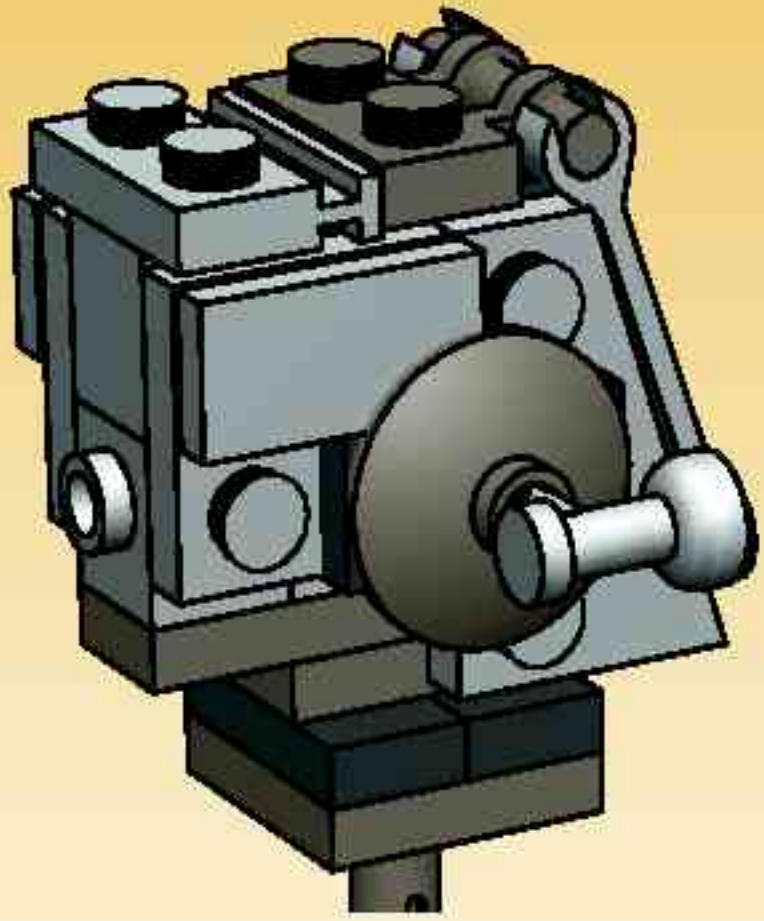
3



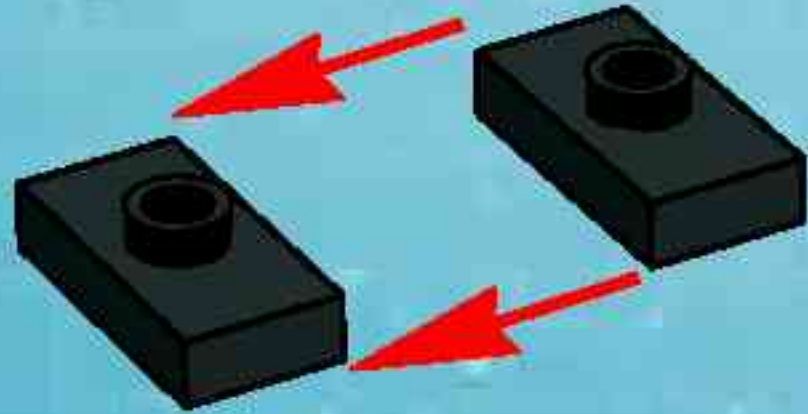
2x

6

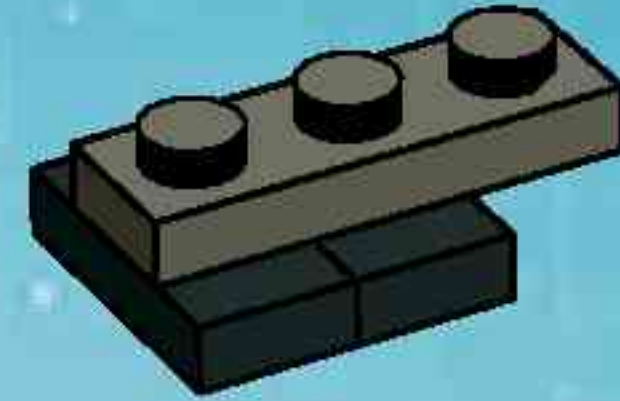




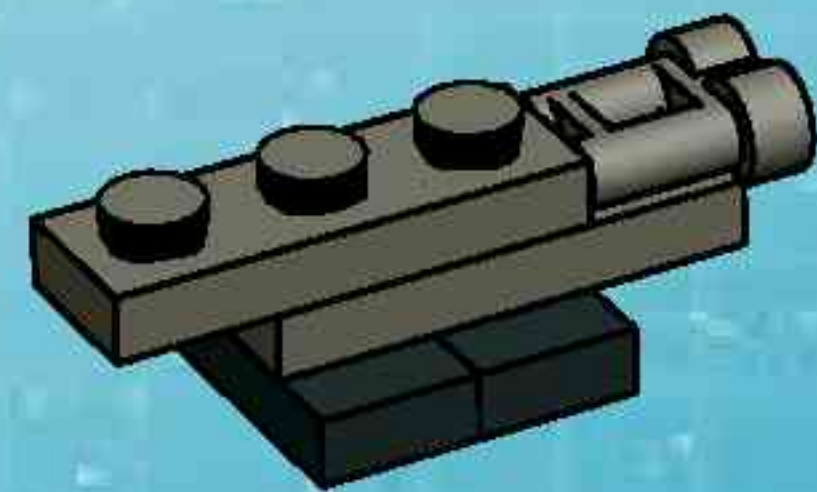
1

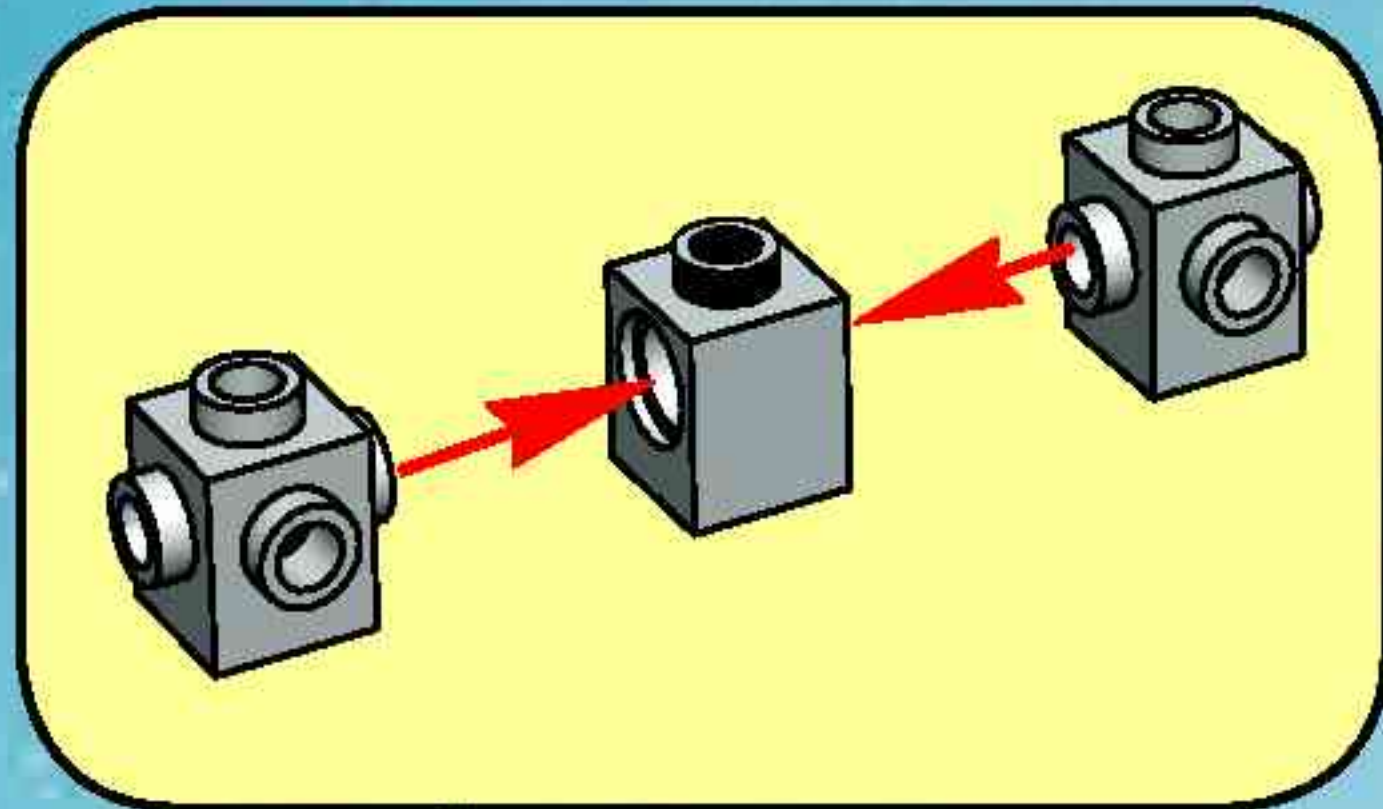


2

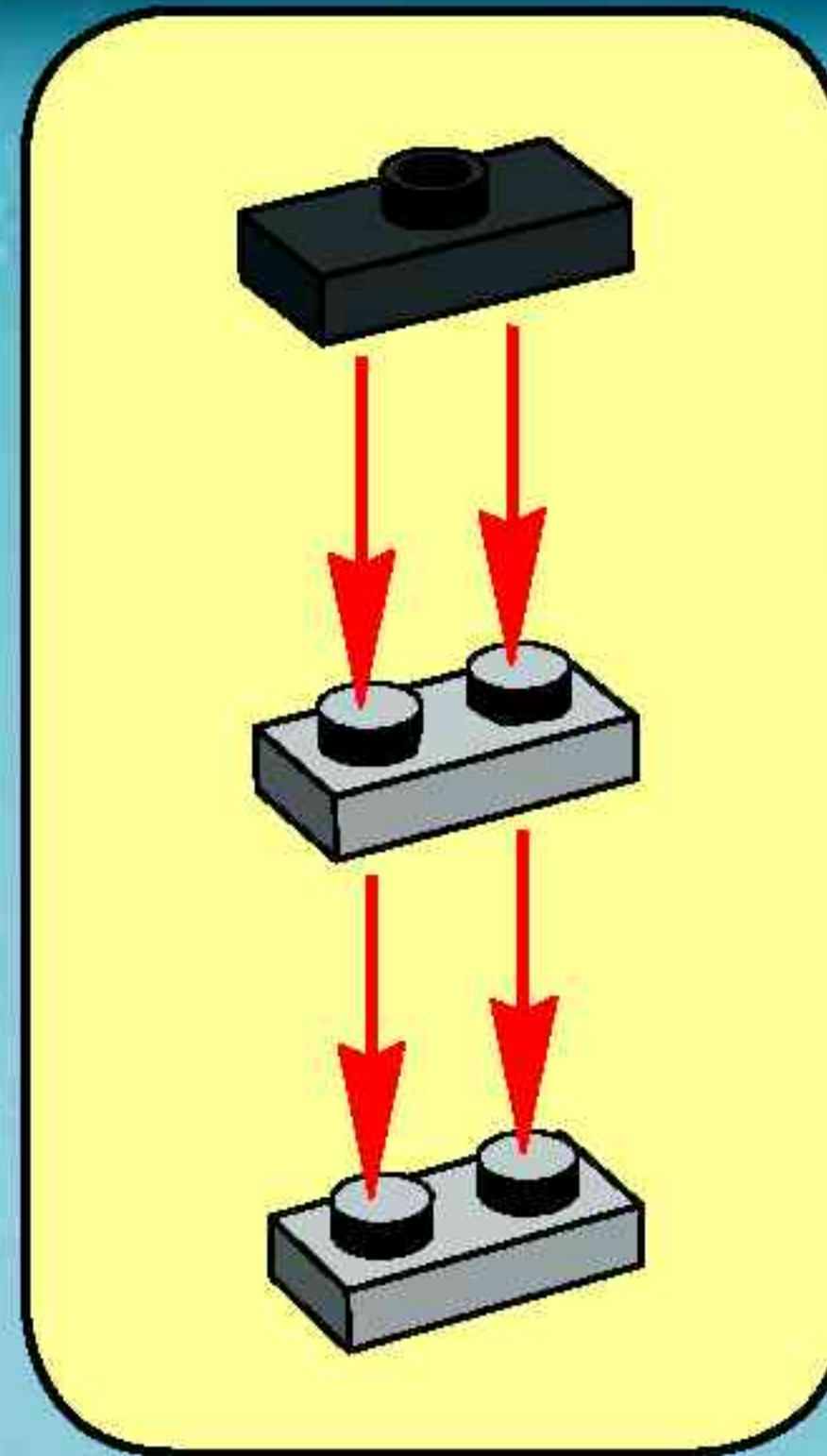
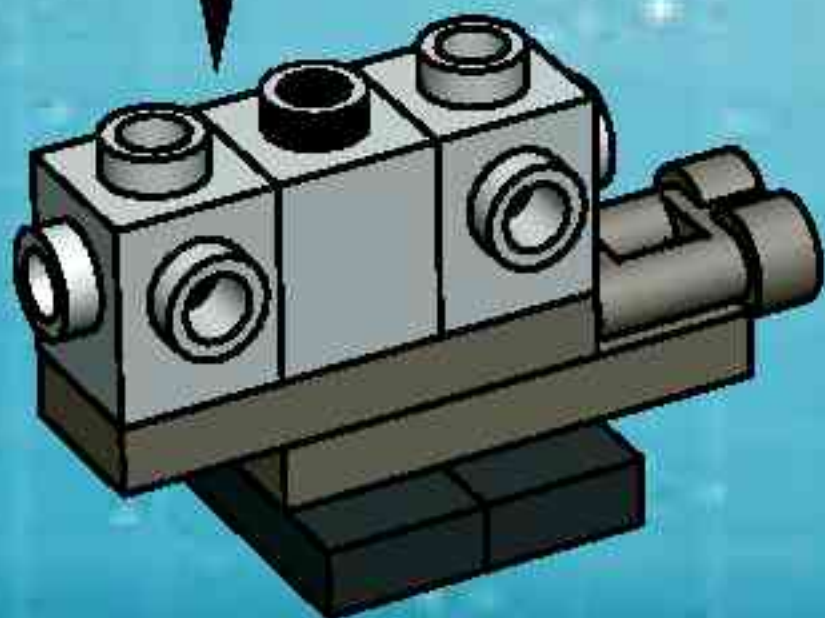


3





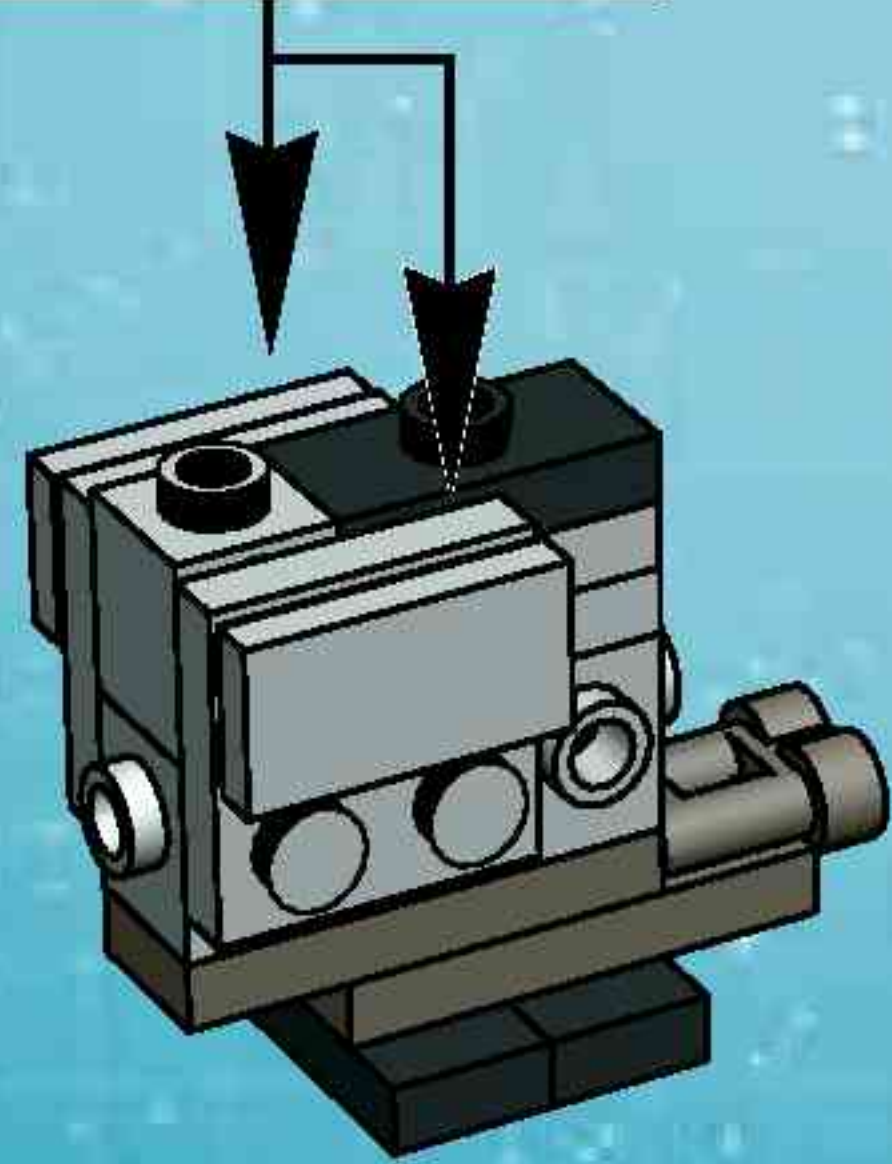
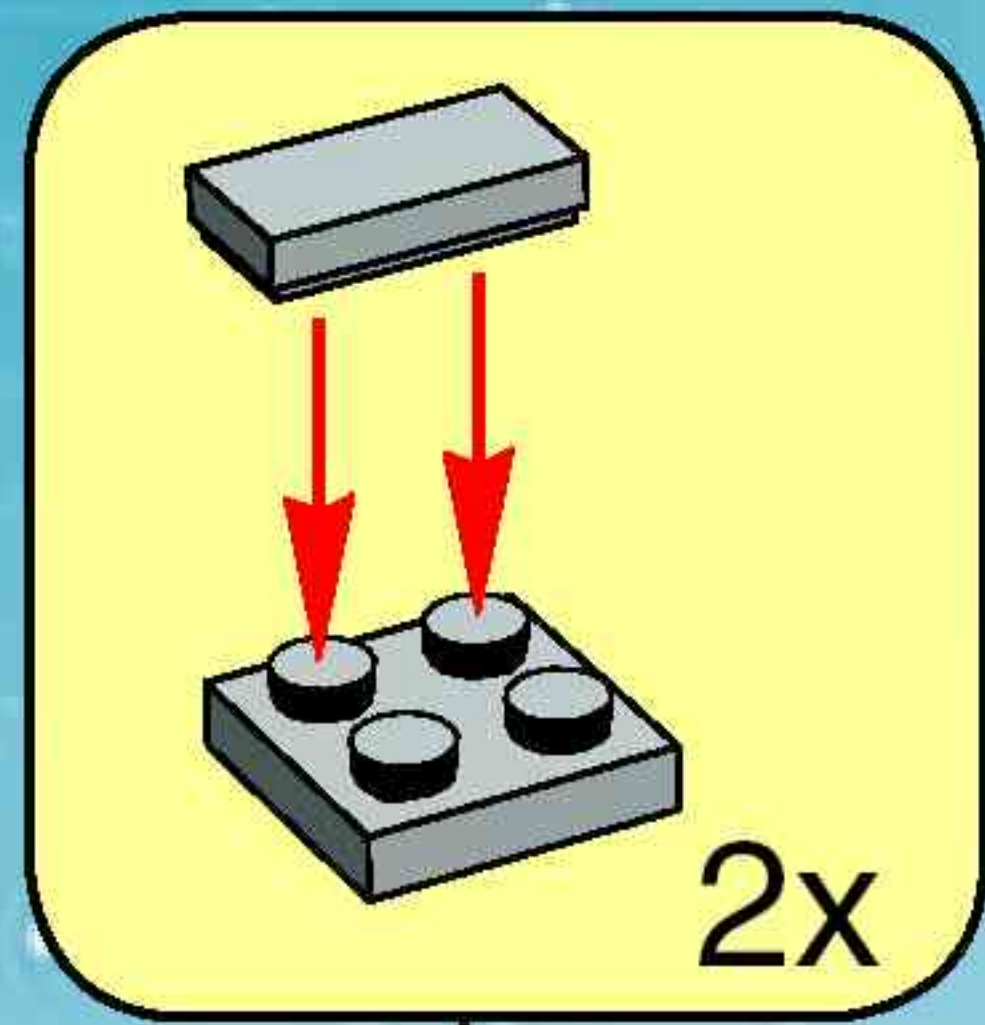
4



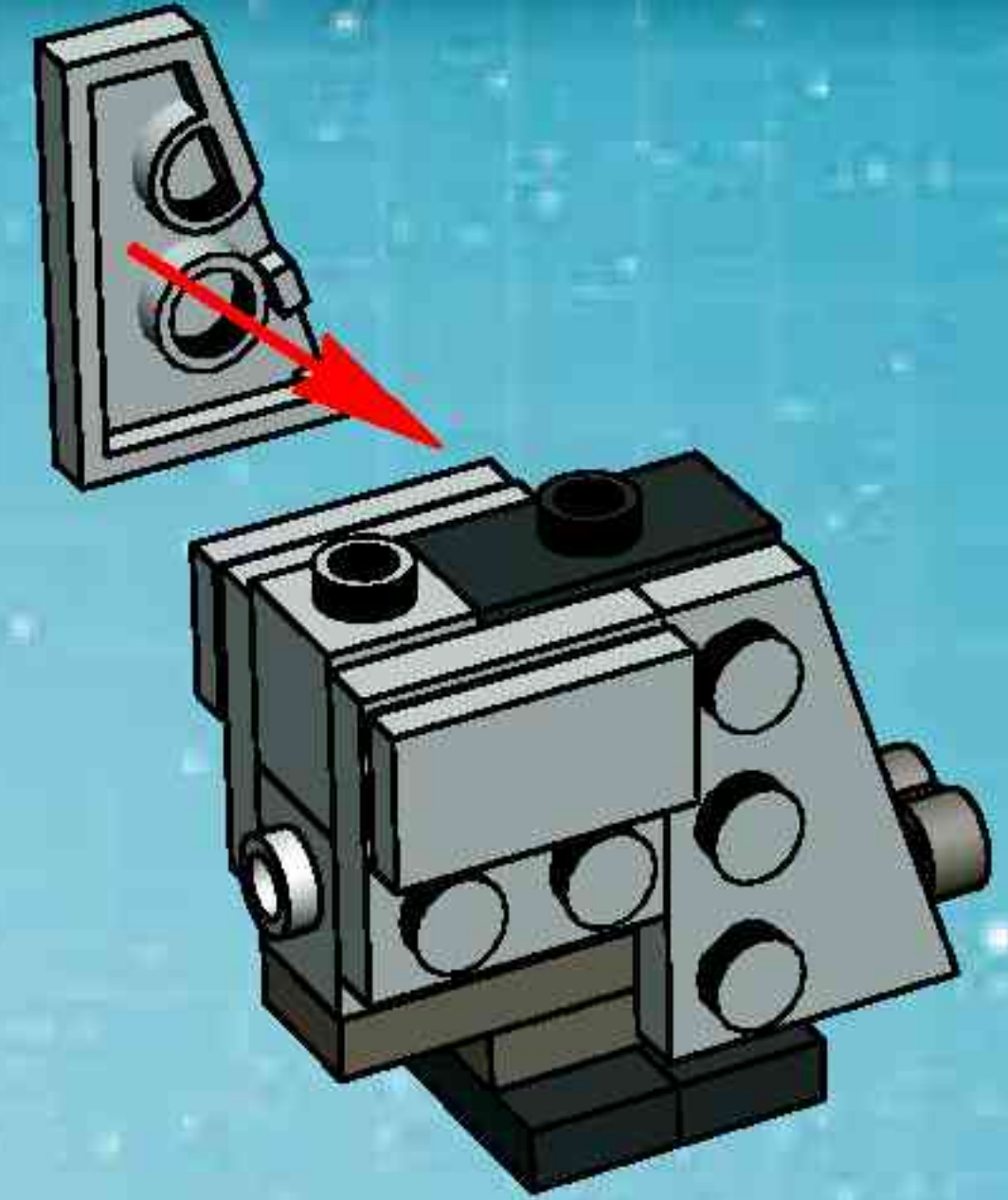
5



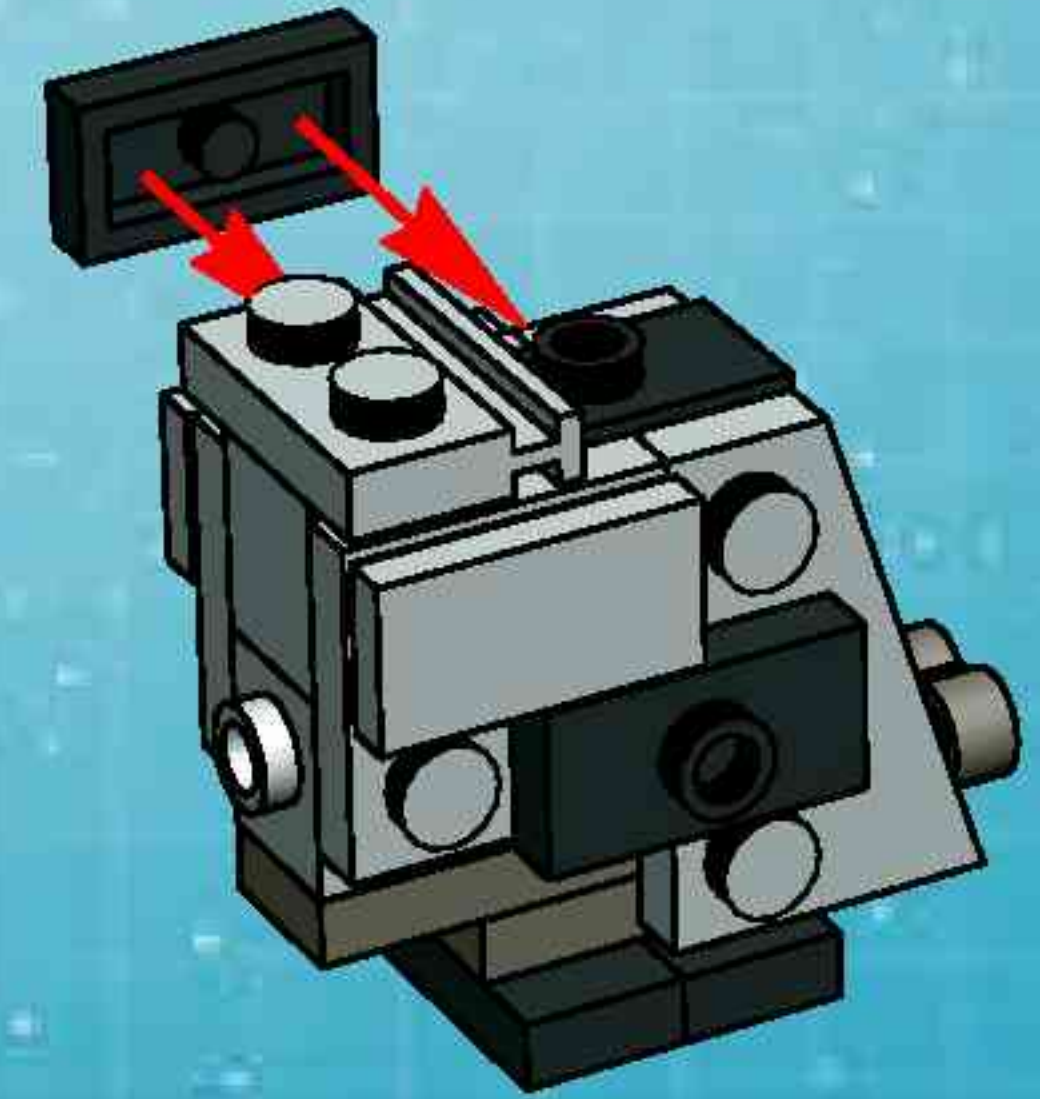
6



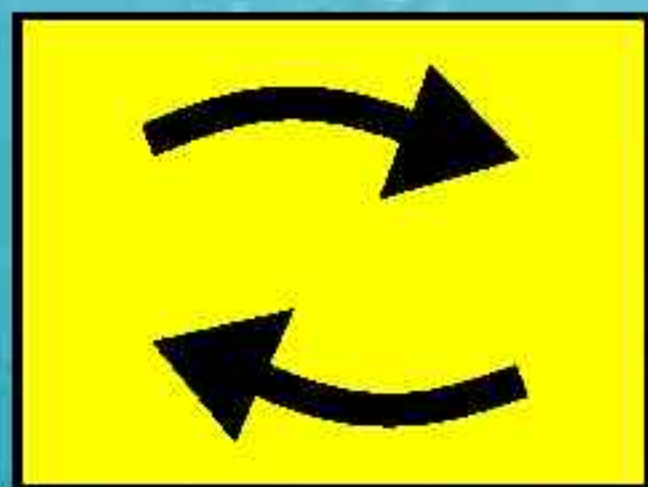
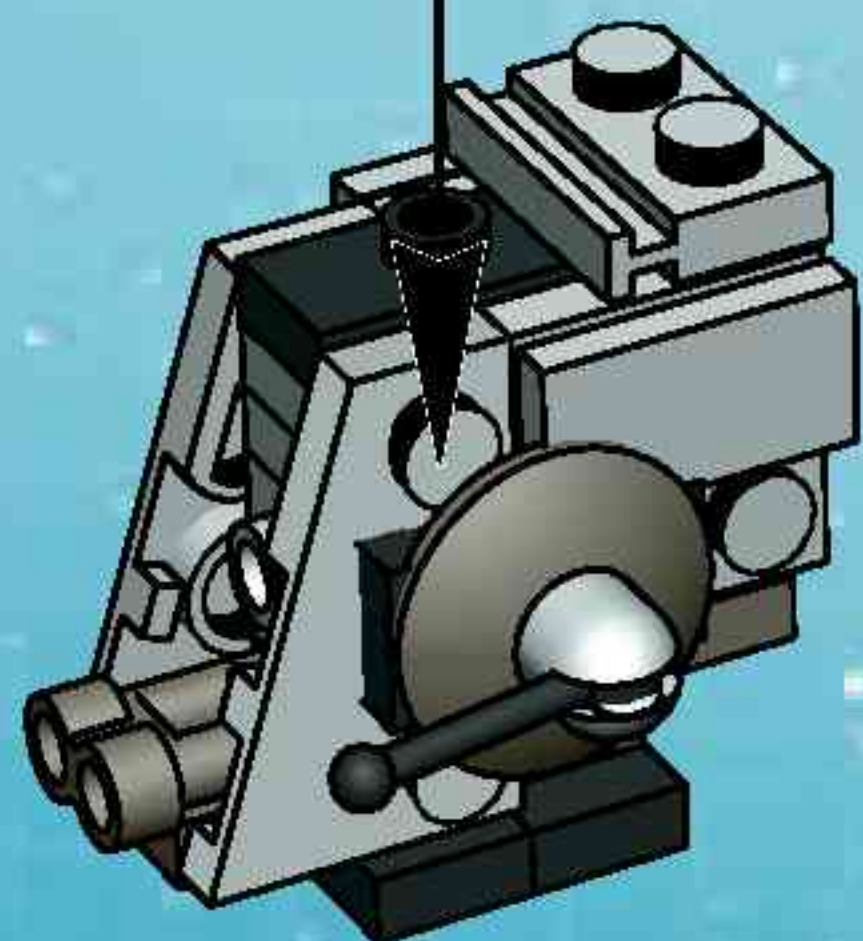
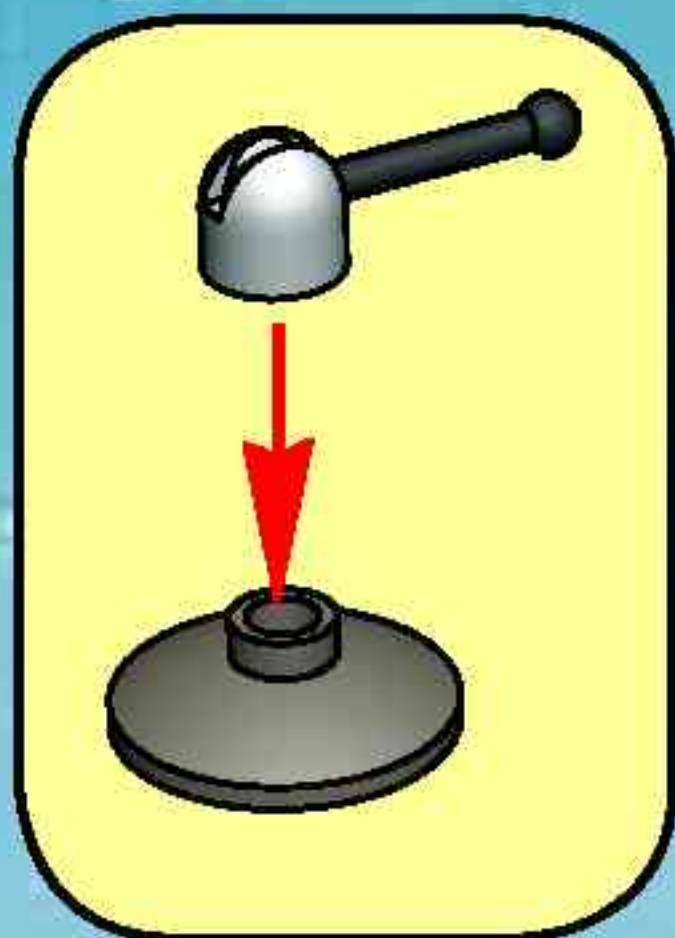
7



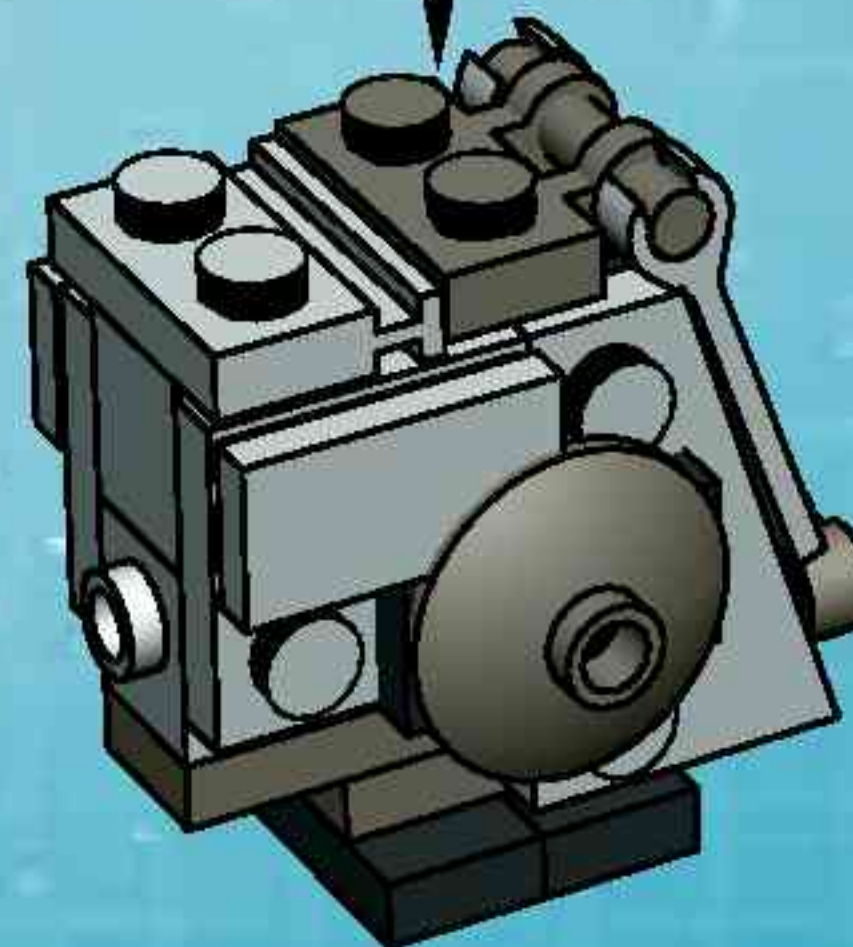
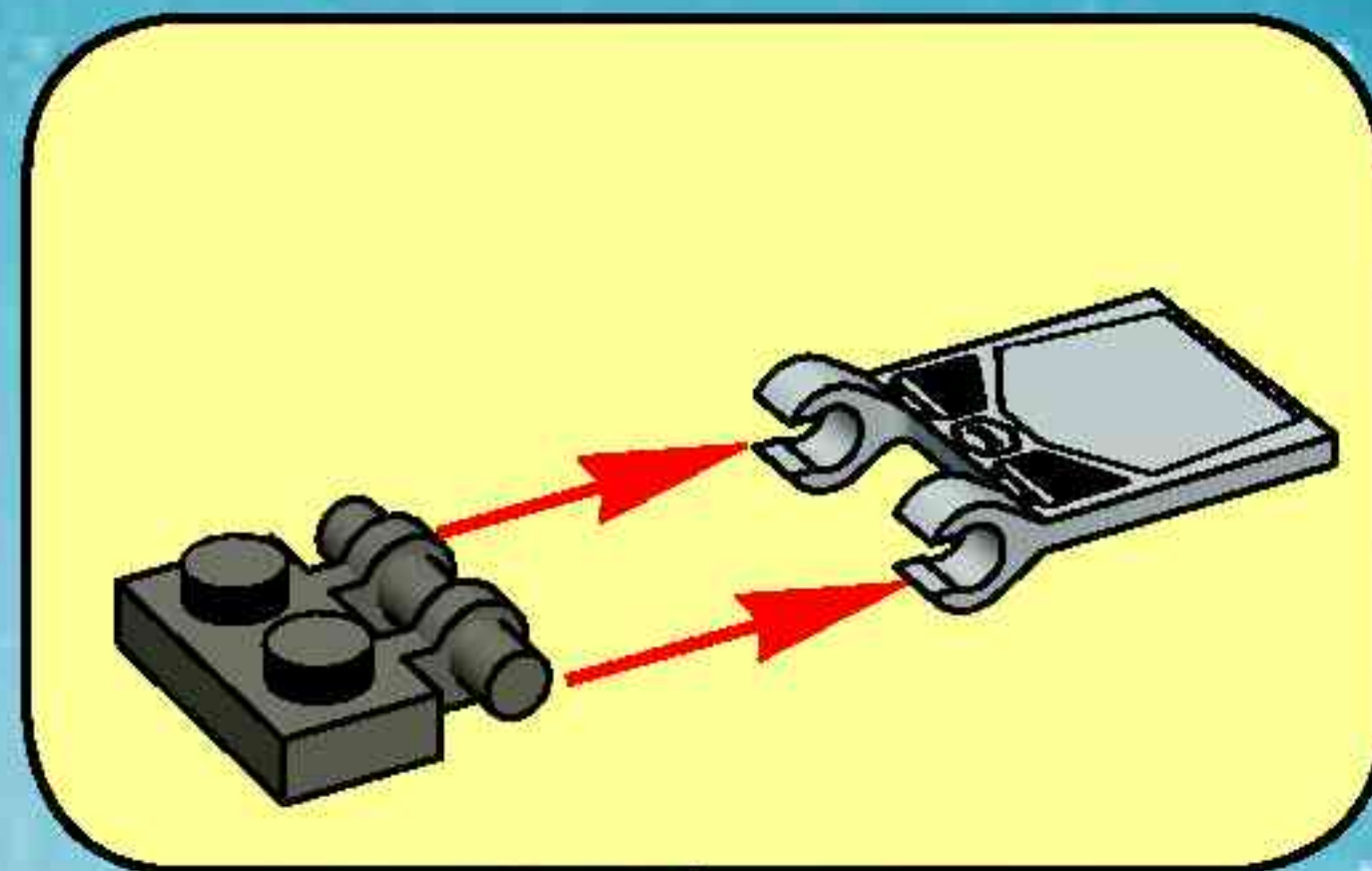
8



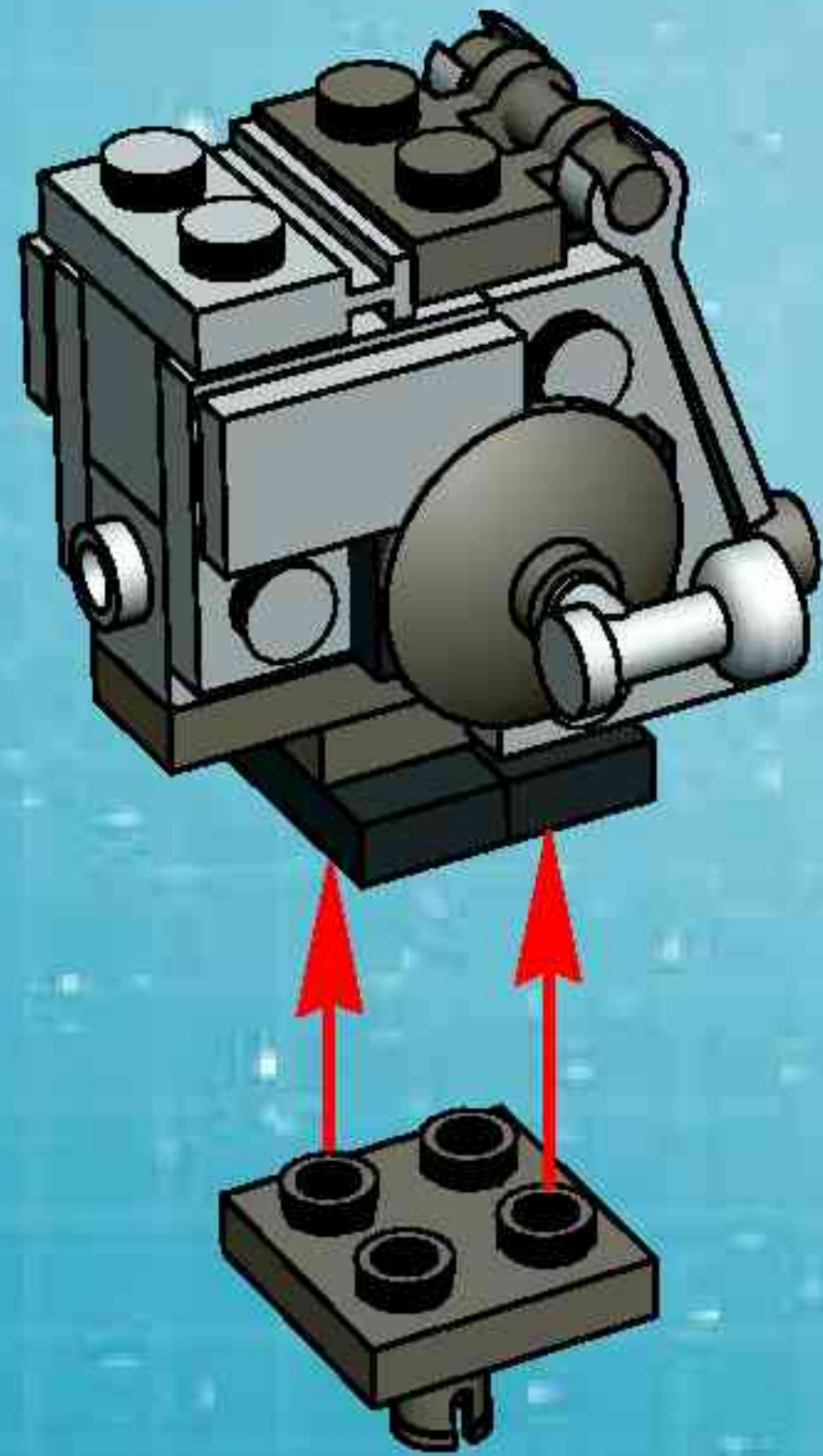
9



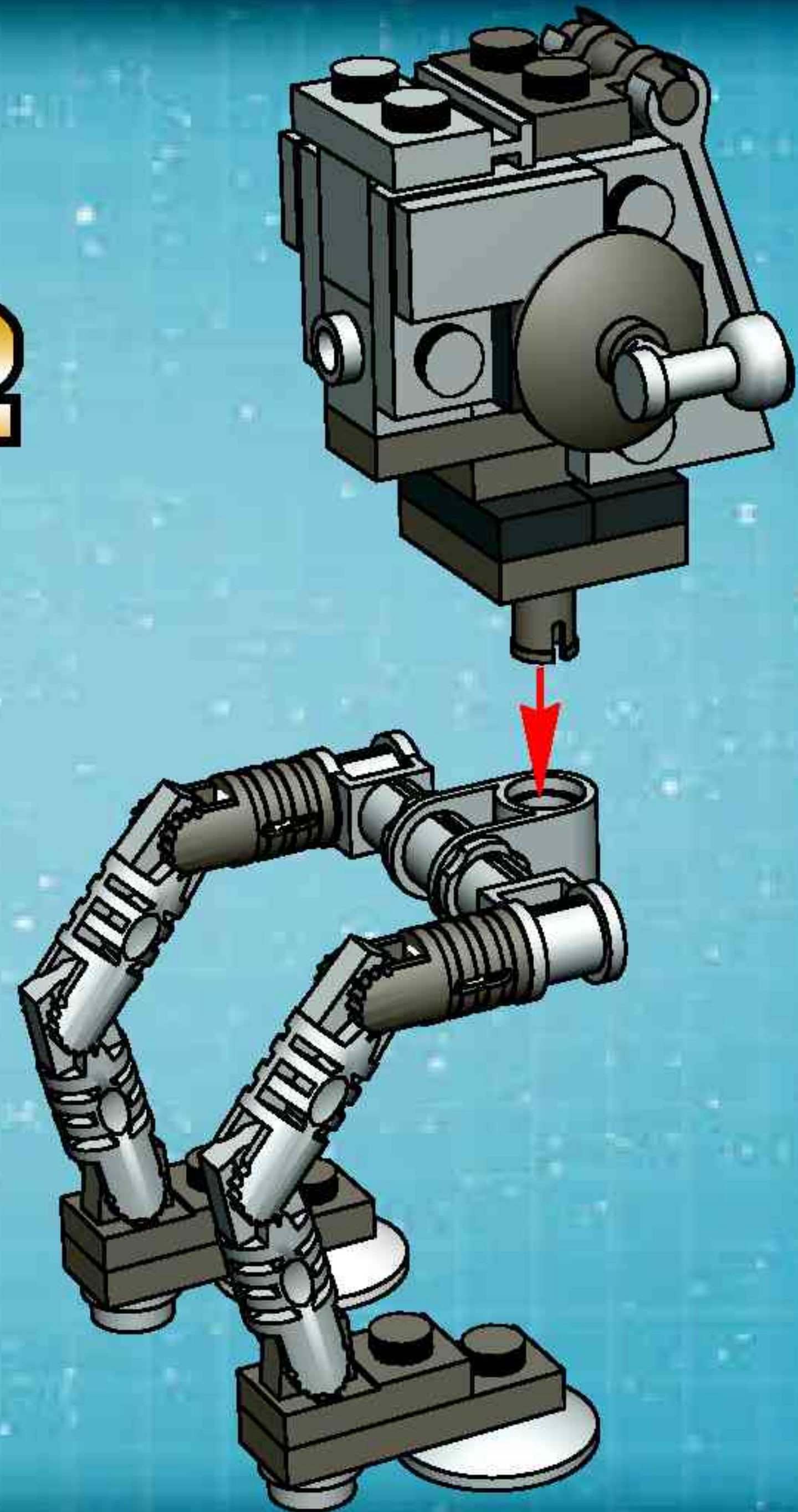
10

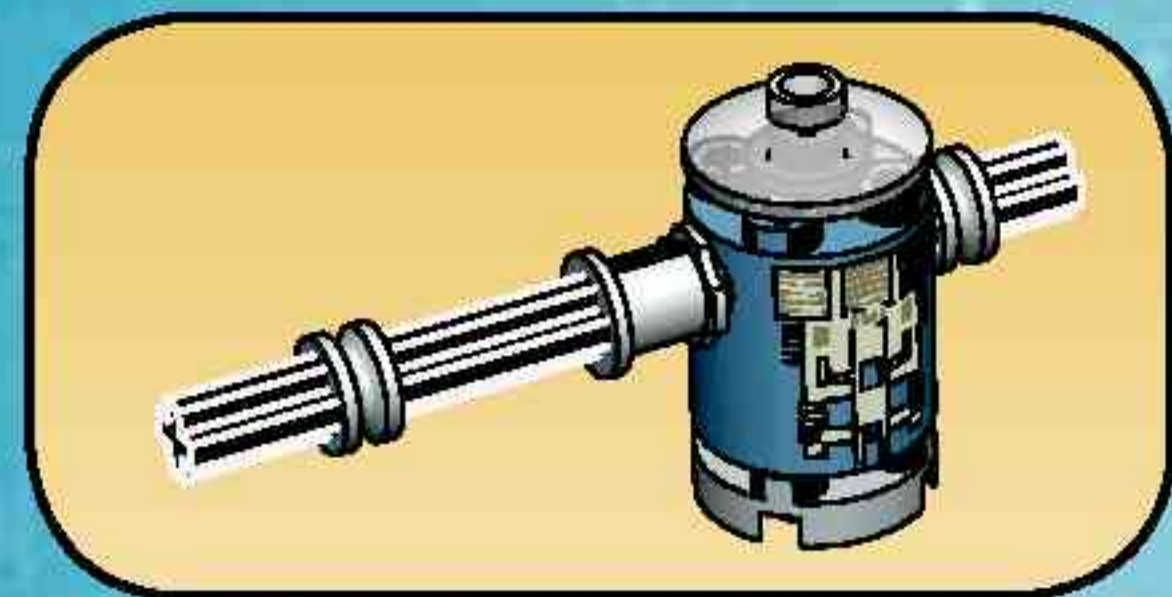
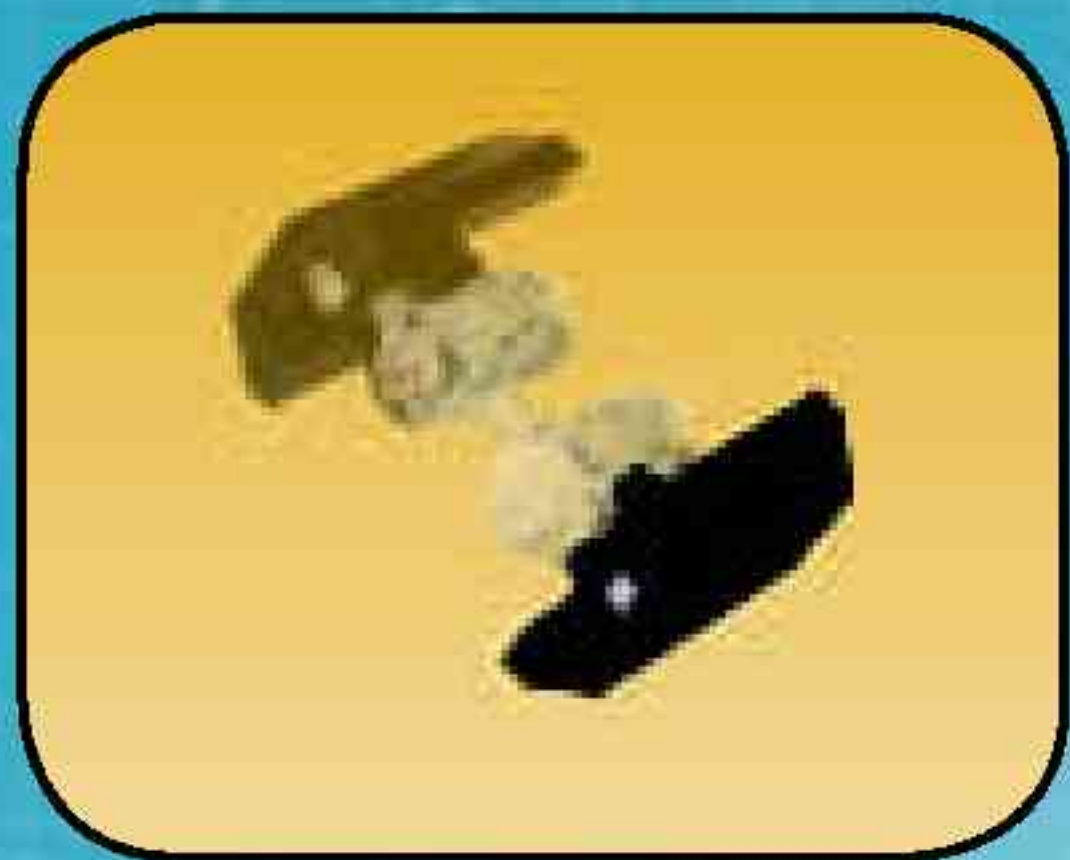


11

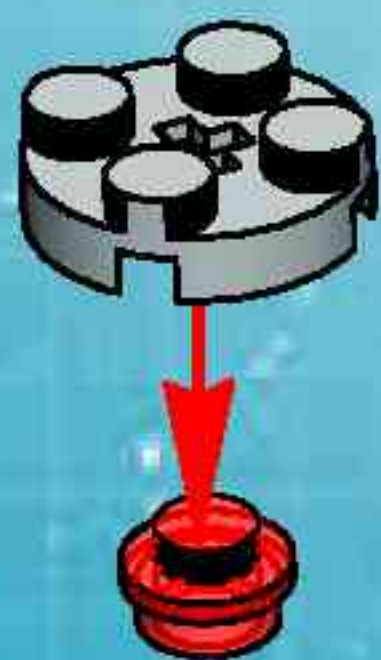


12

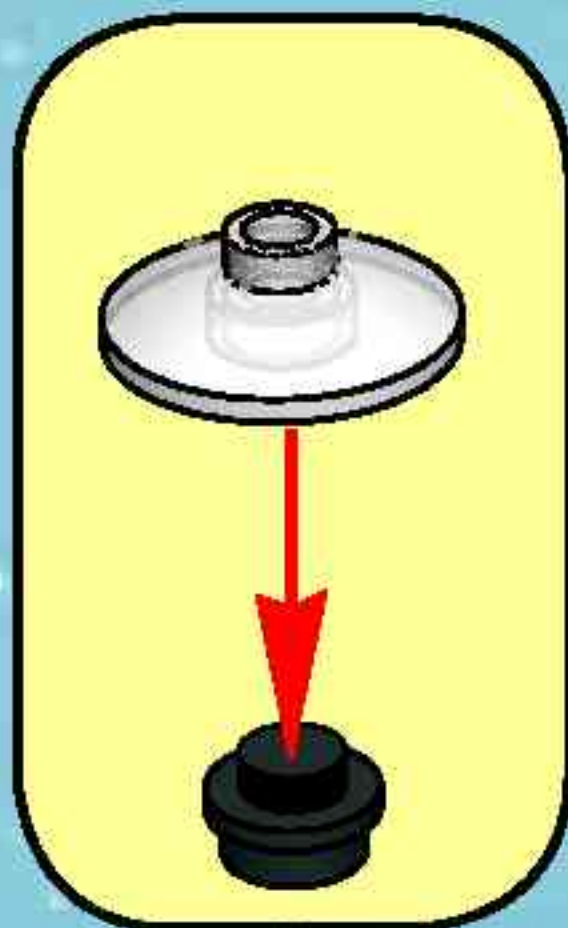




1



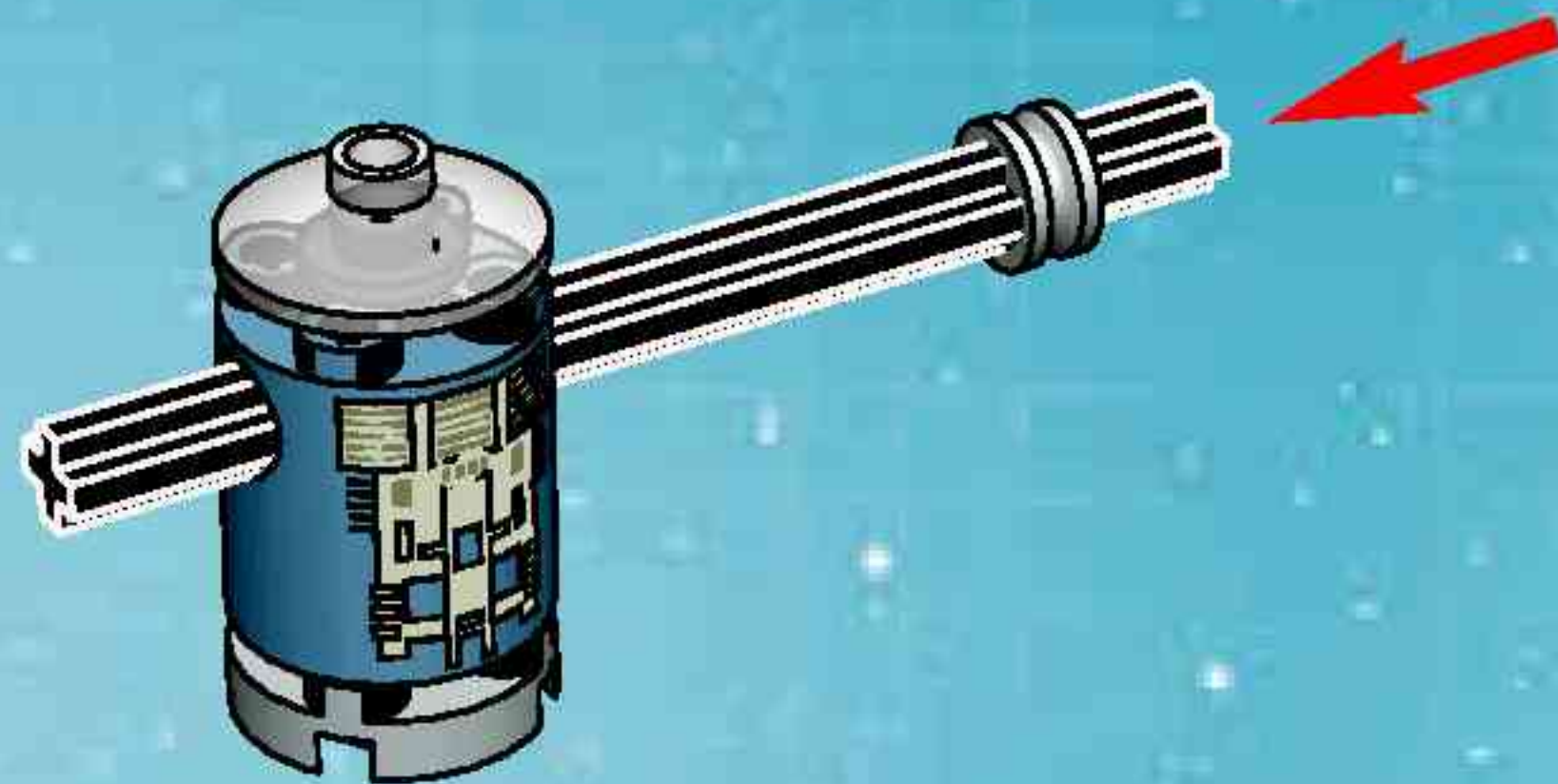
2



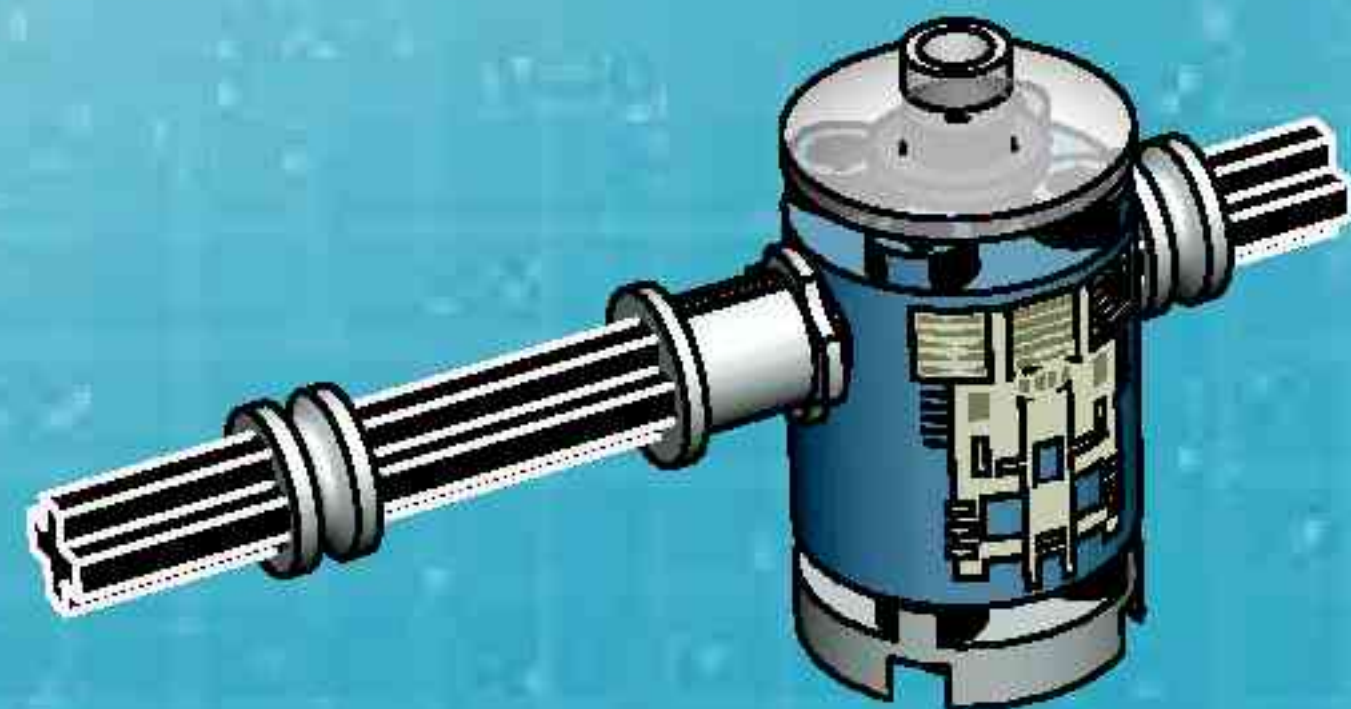
3



4

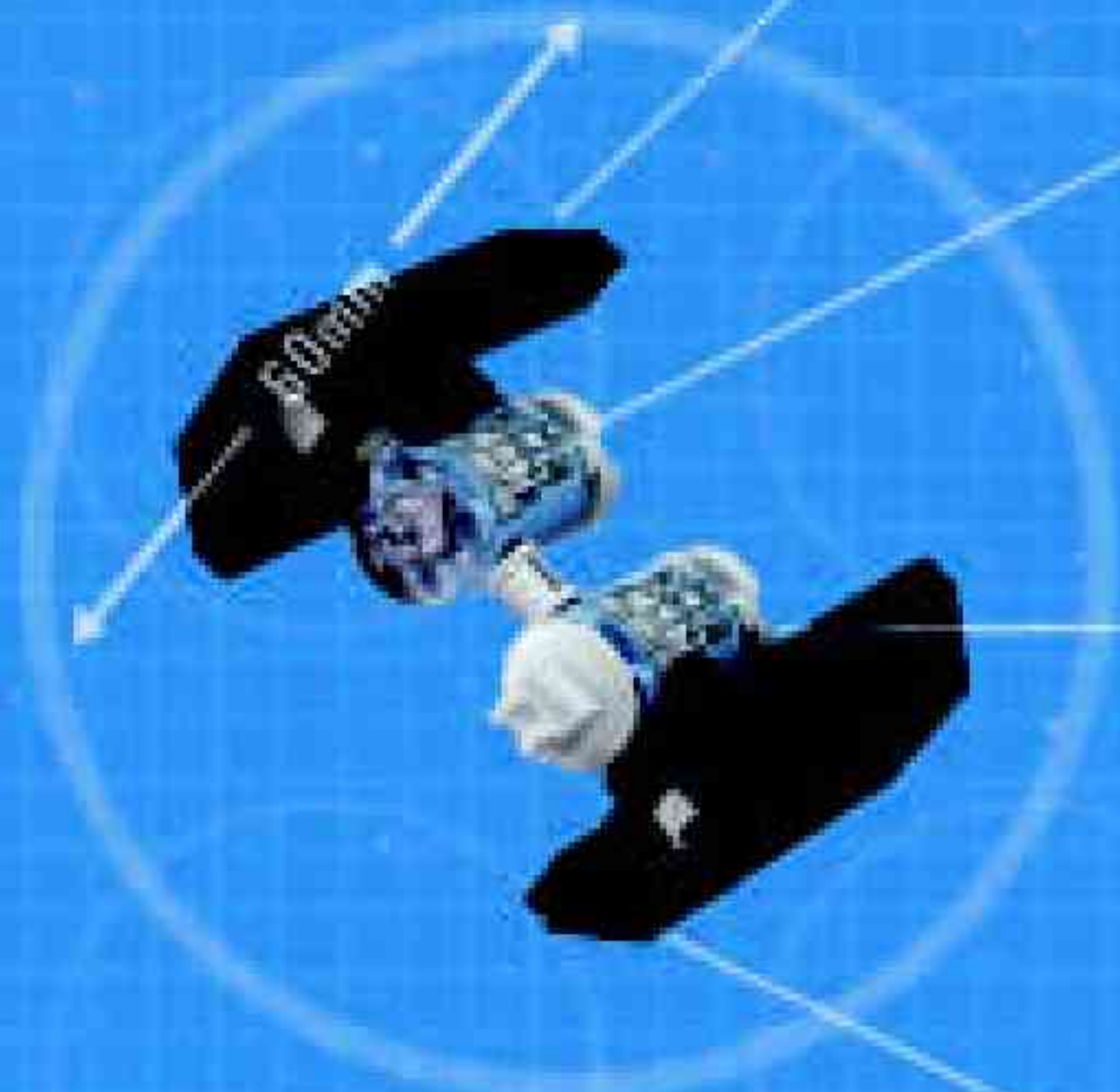


5





STAR WARS



4484



4486

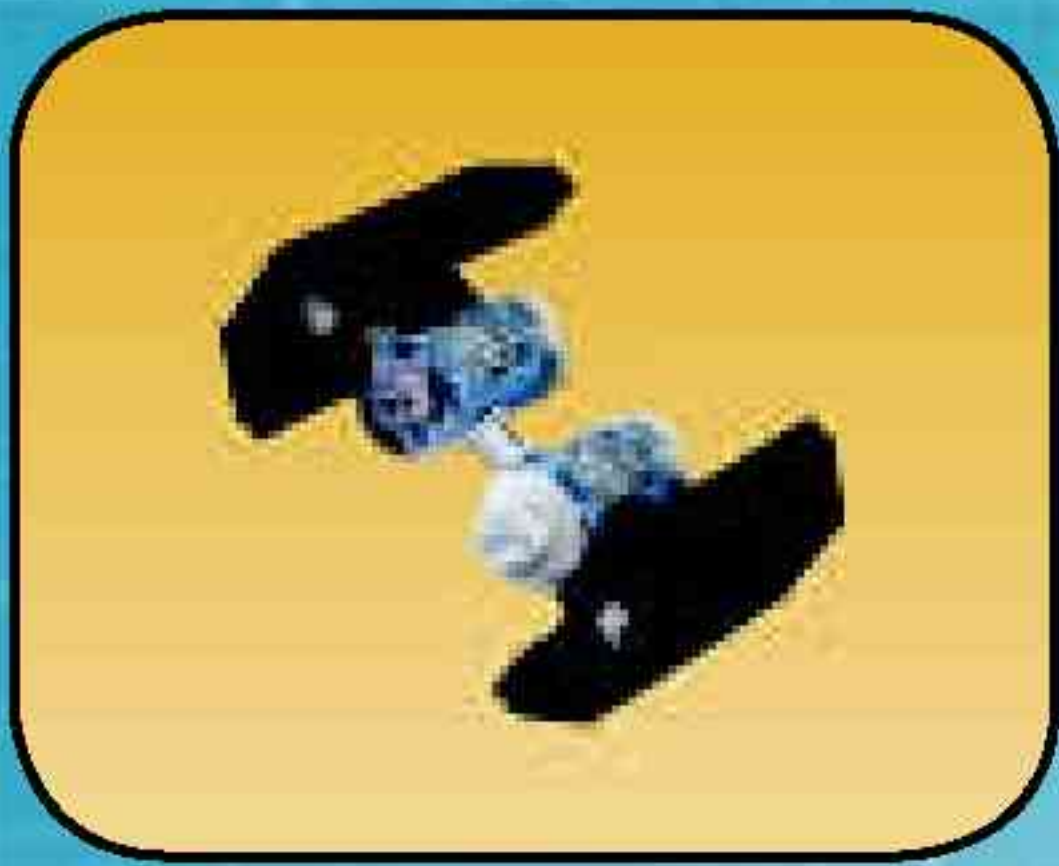


4487

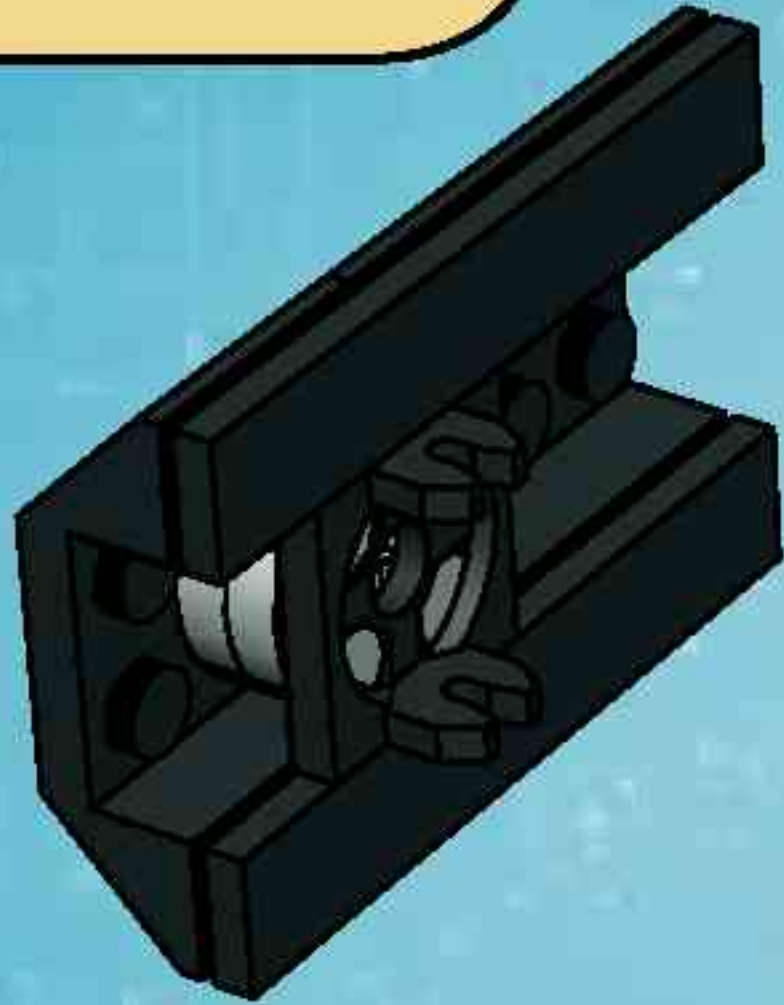


4485

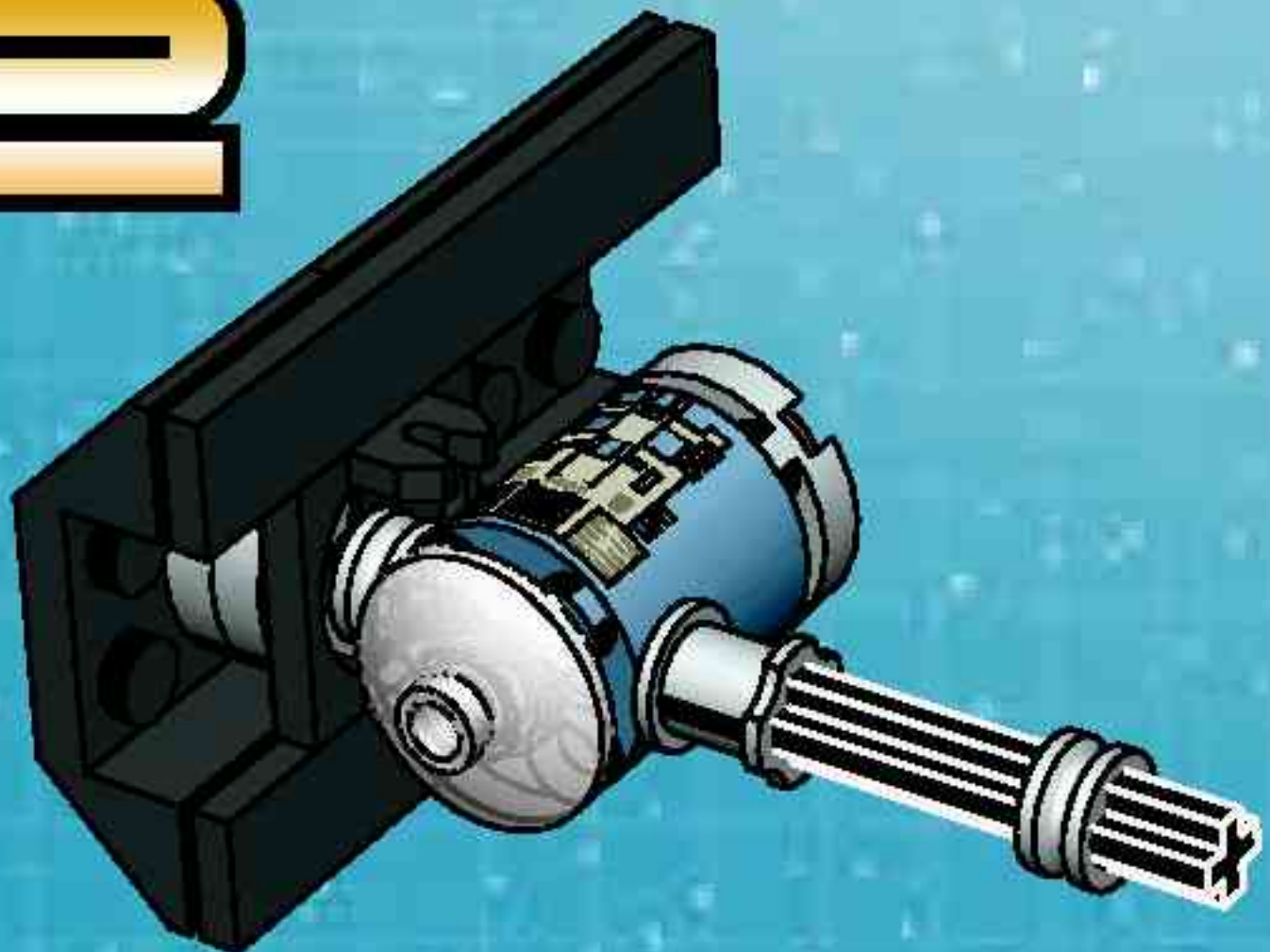




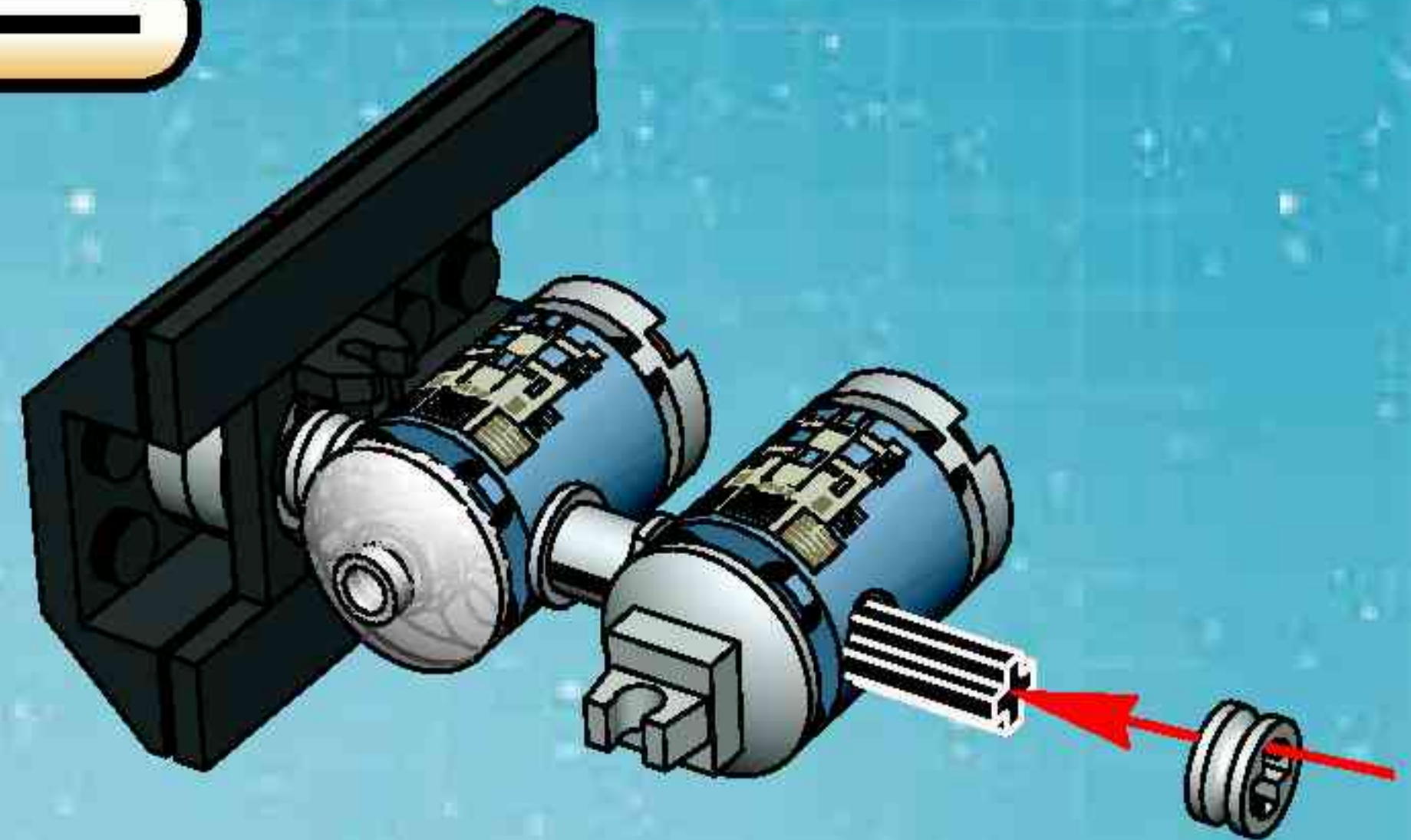
1



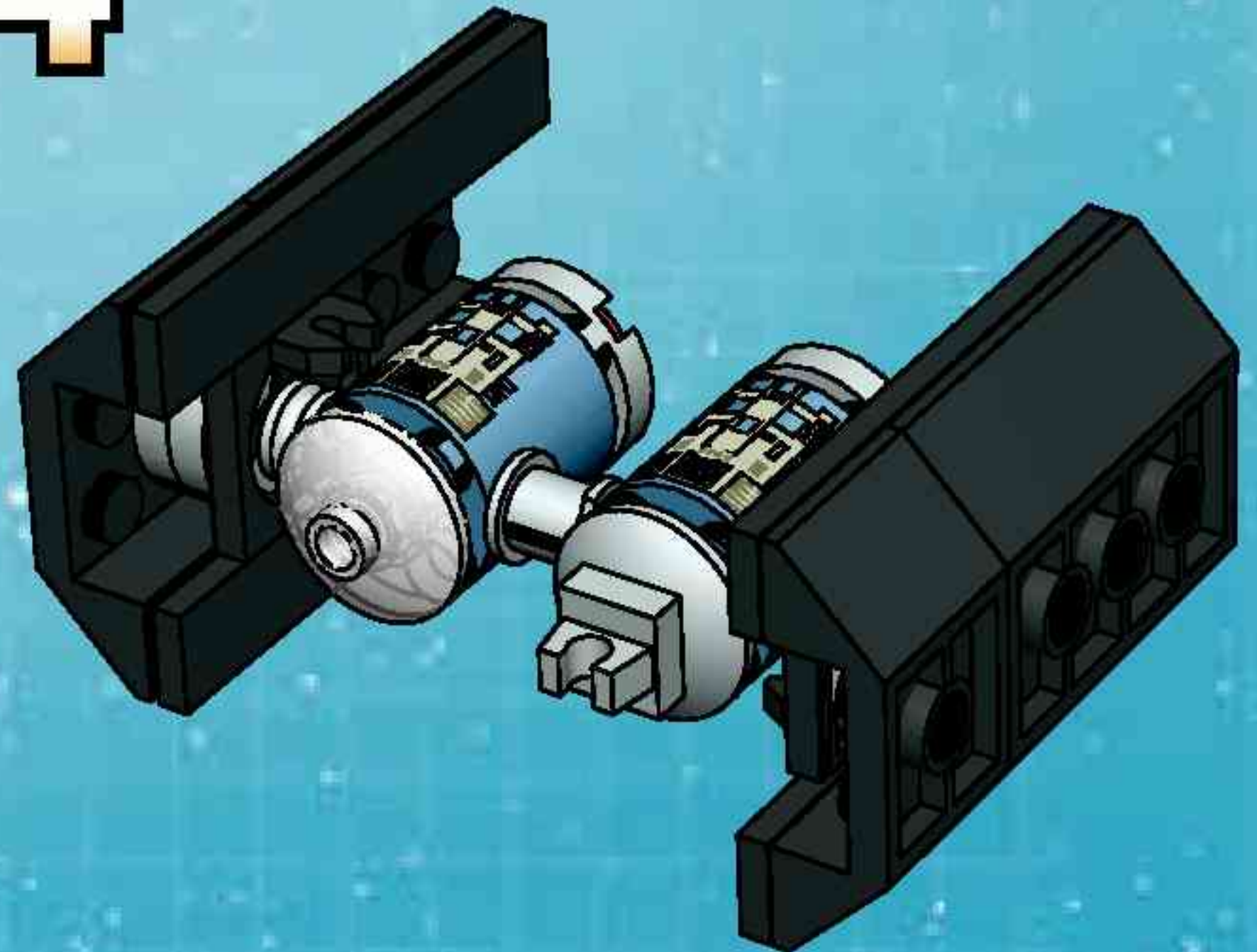
2



B



4





LEGO, the LEGO logo and the minifigure are trademarks of the LEGO Group.
© 2003 The LEGO Group.

© 2003 Lucasfilm Ltd. & TM. All rights reserved. Used under authorization.