



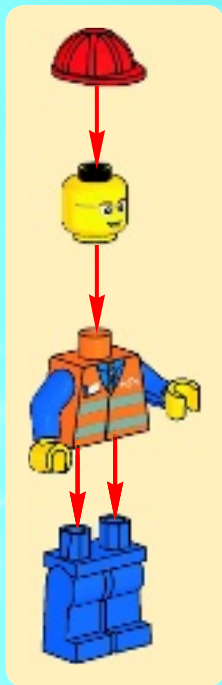
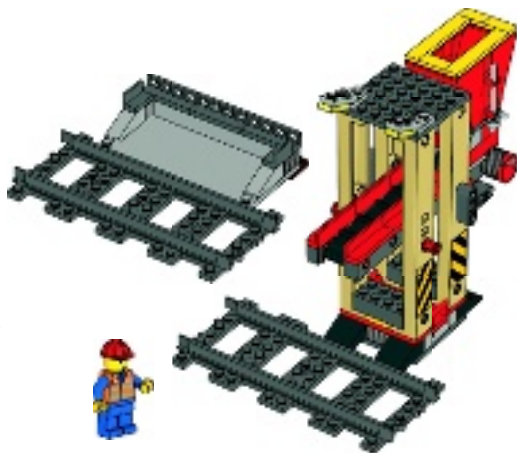
# CITY

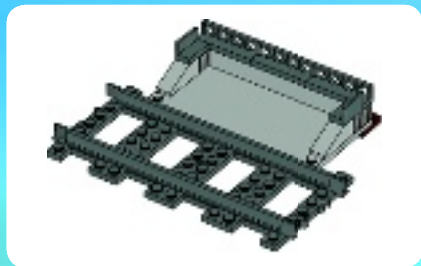
3677





+

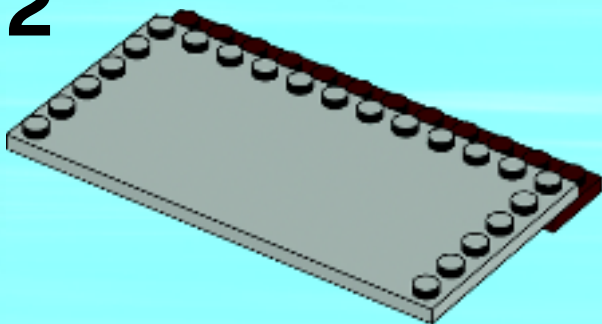


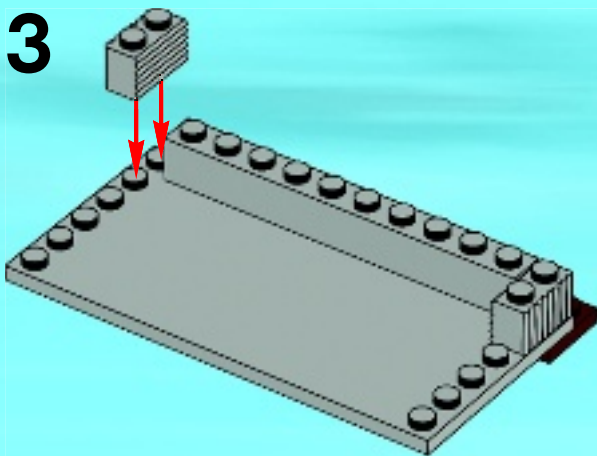


1

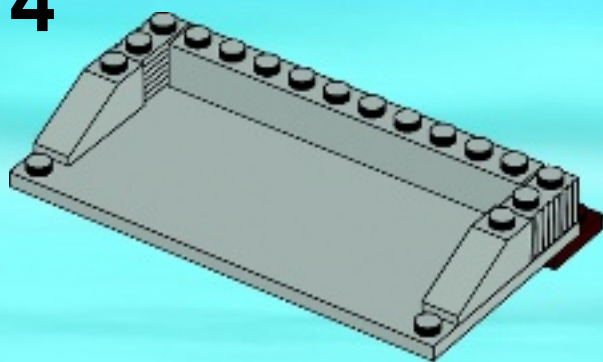


2

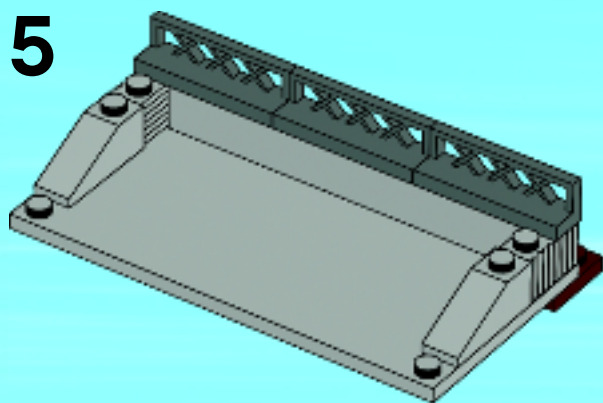




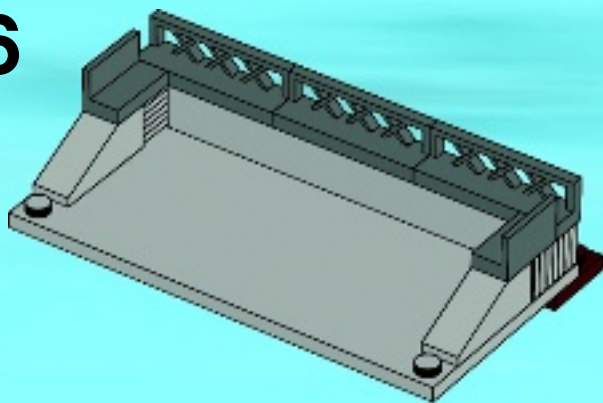
4

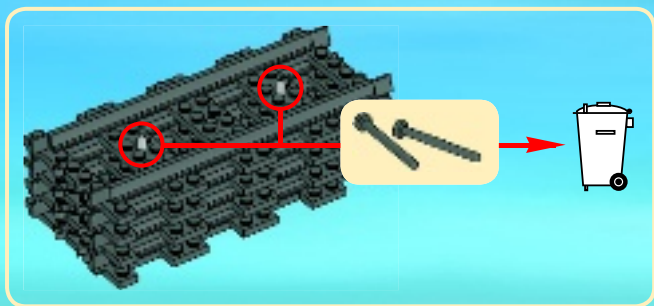


5

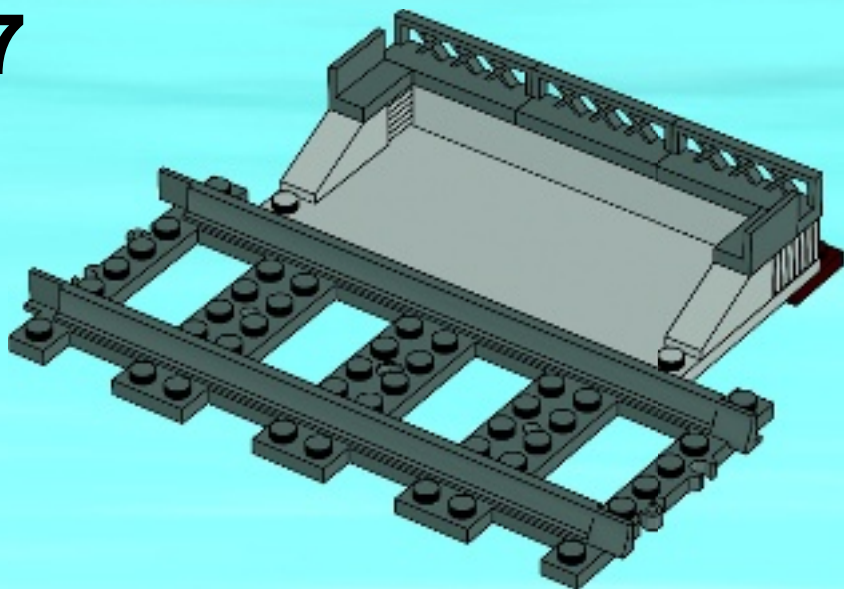


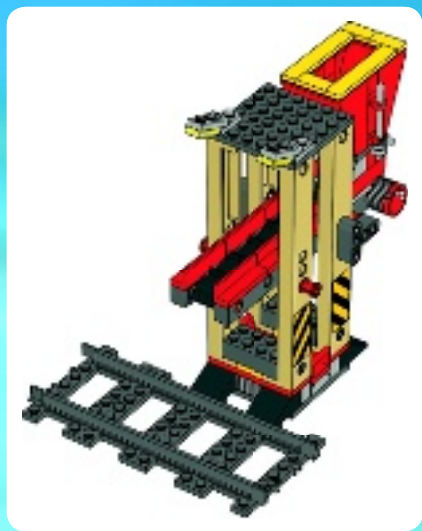
6





7





1

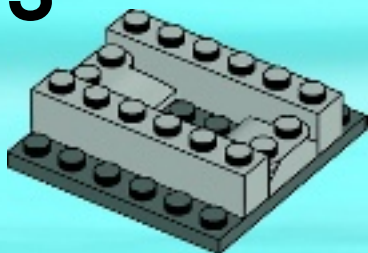


2

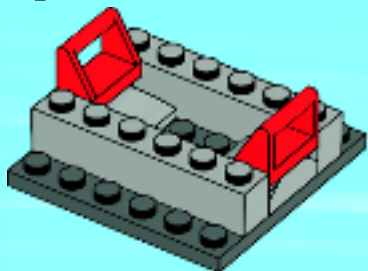




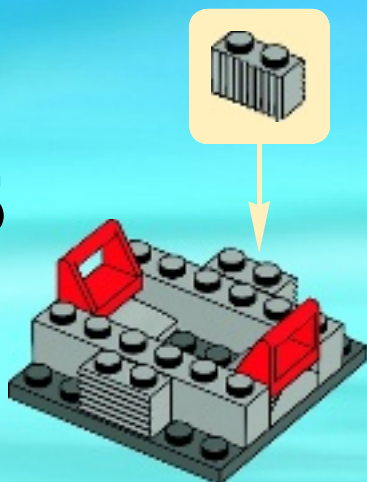
**3**



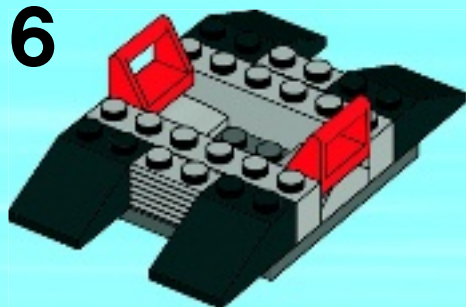
**4**



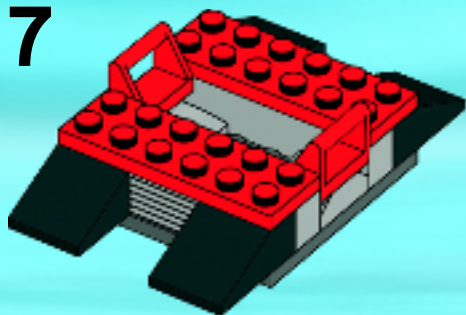
5



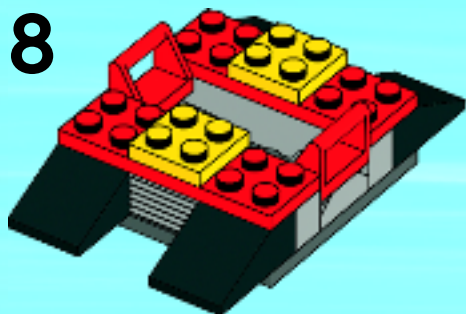
6

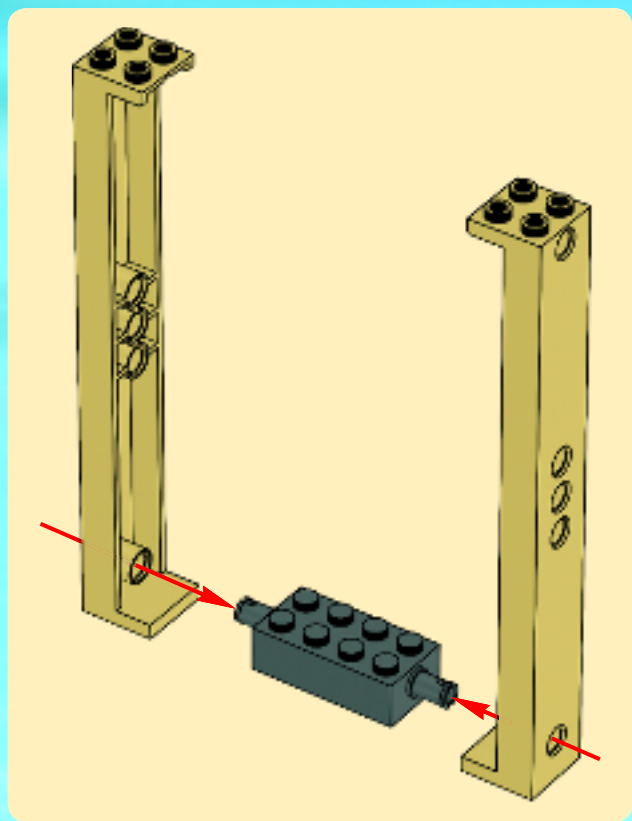


7

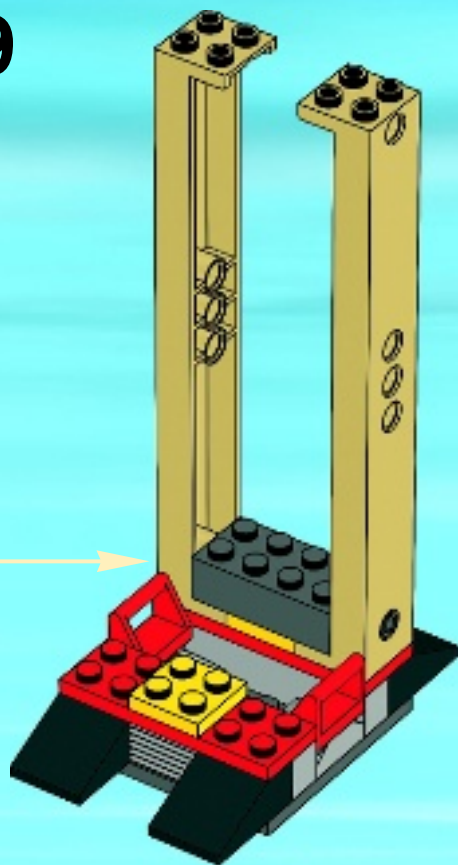


8

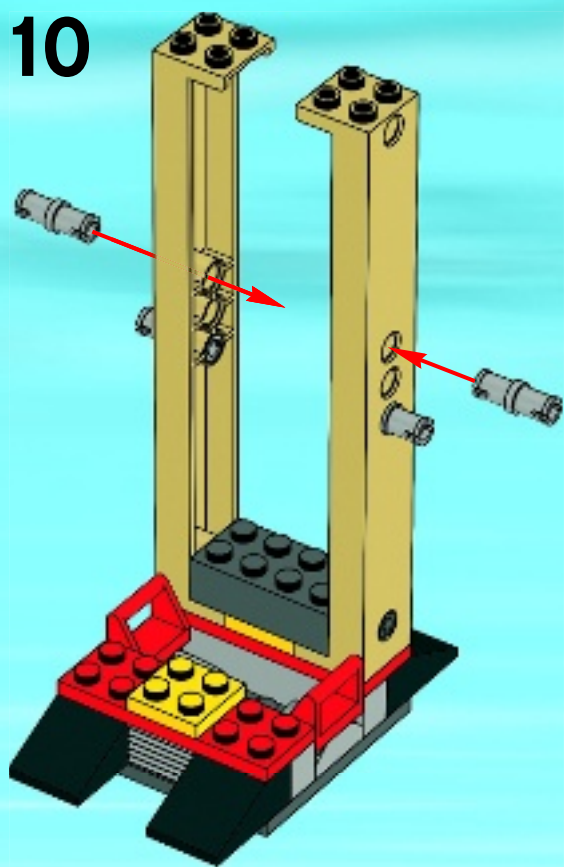




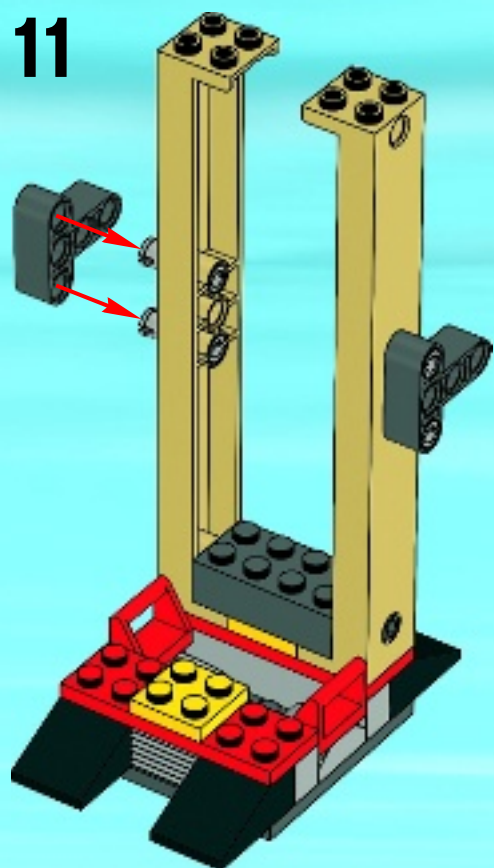
9

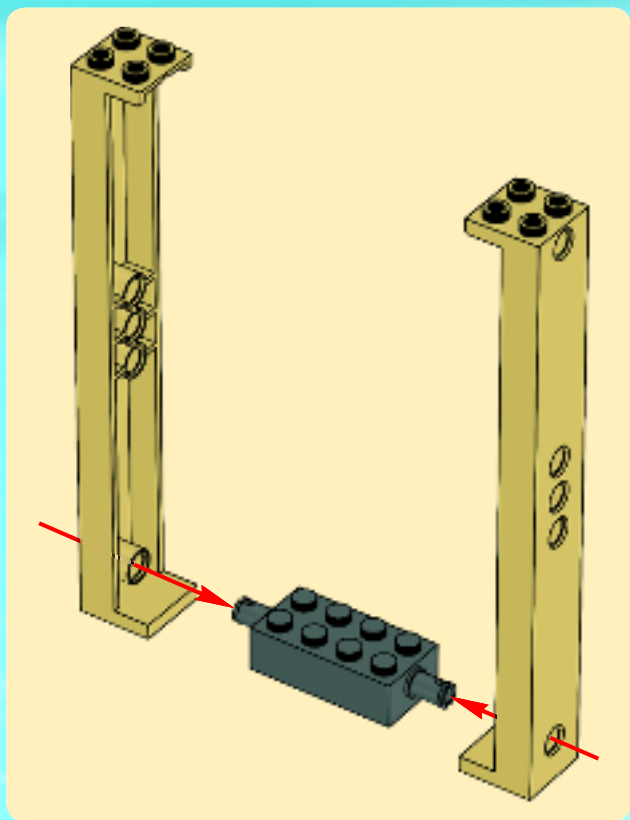


10



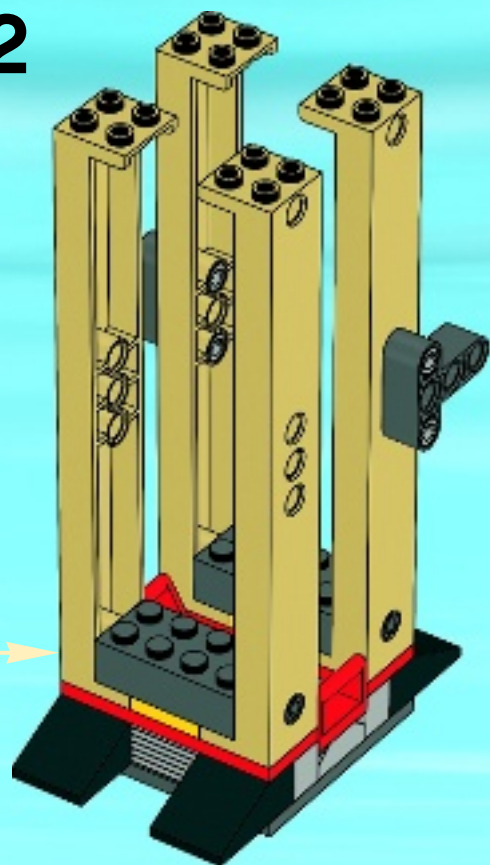
11



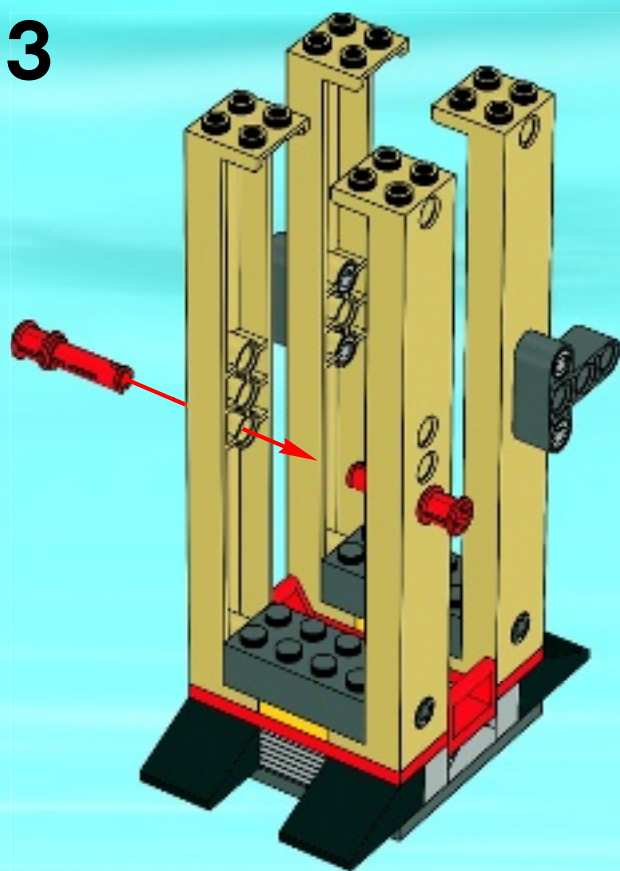




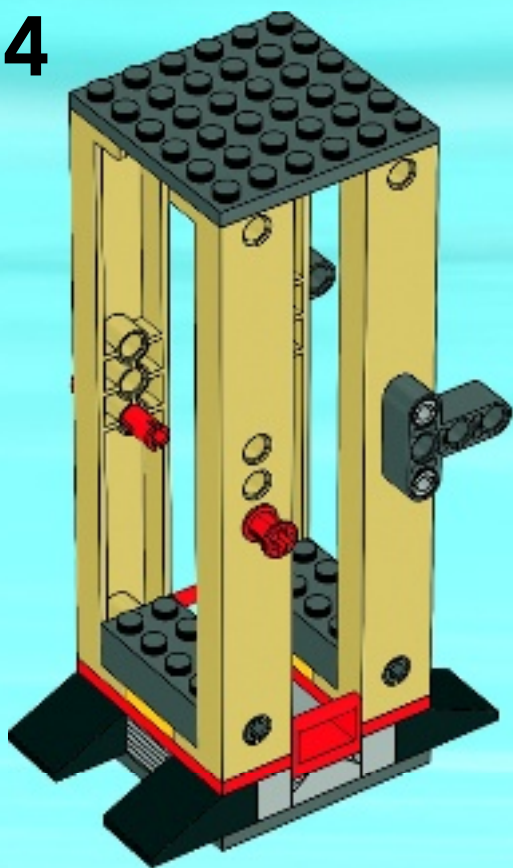
12



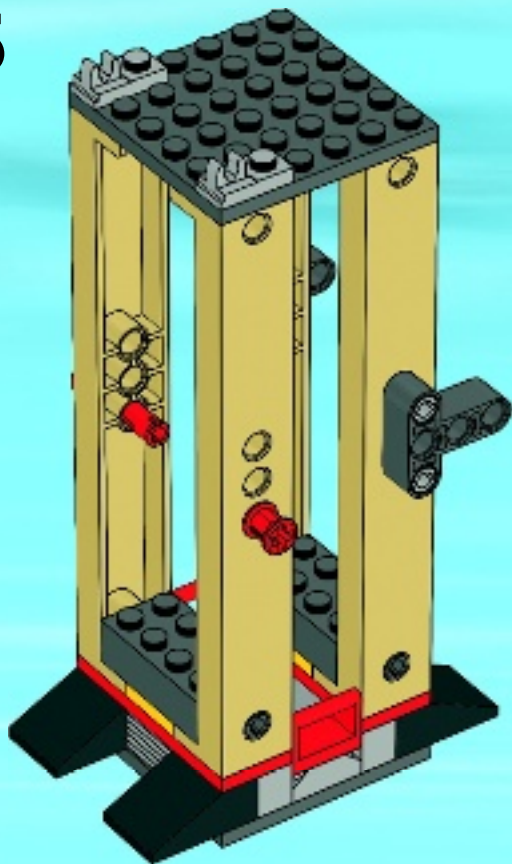
13



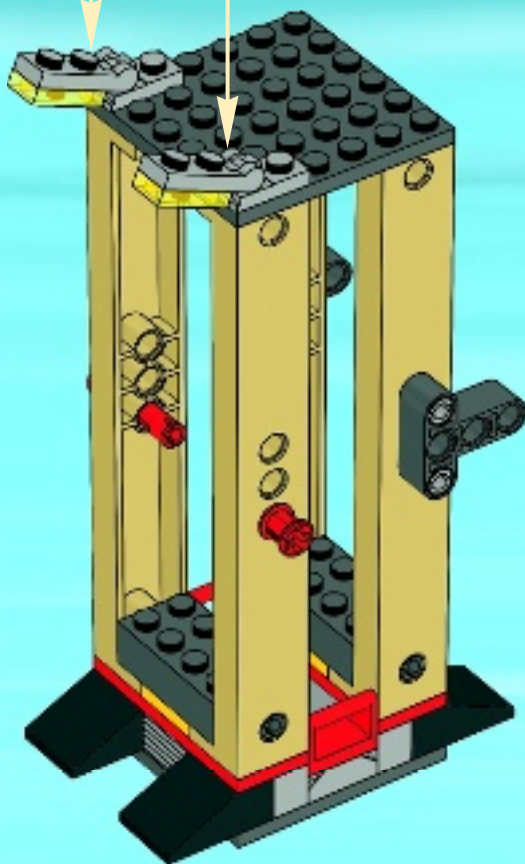
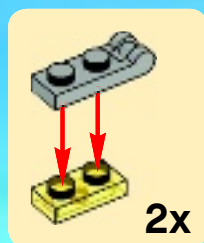
14



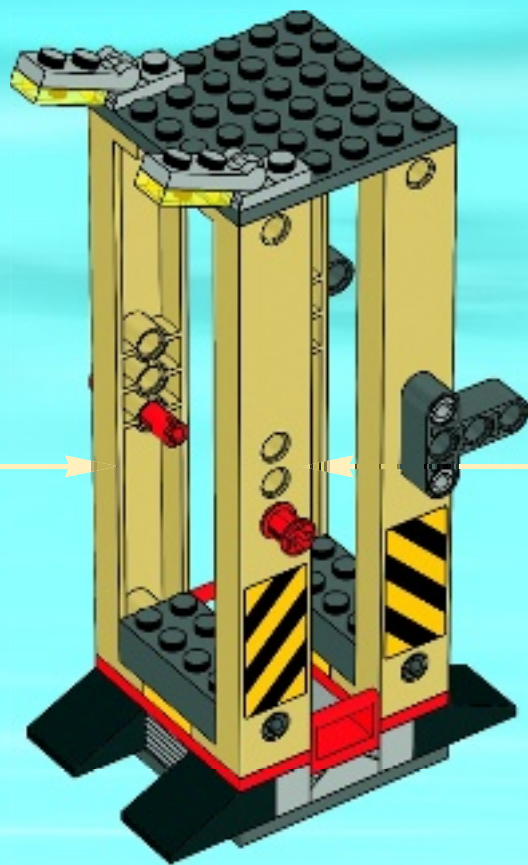
15

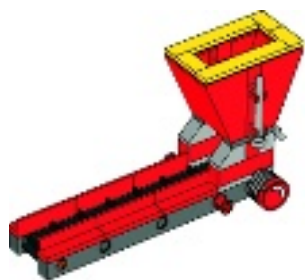


16

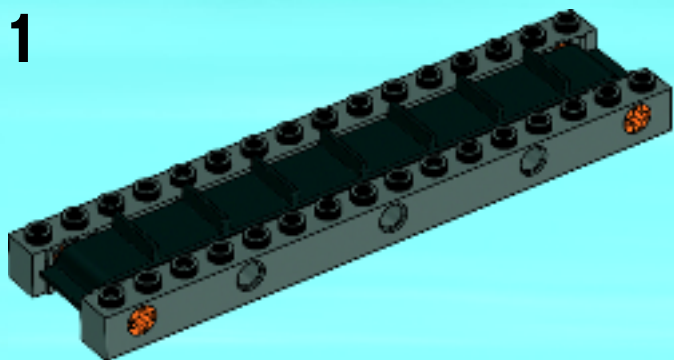


17

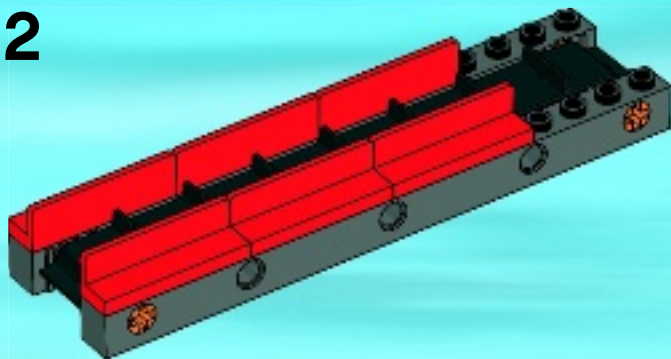




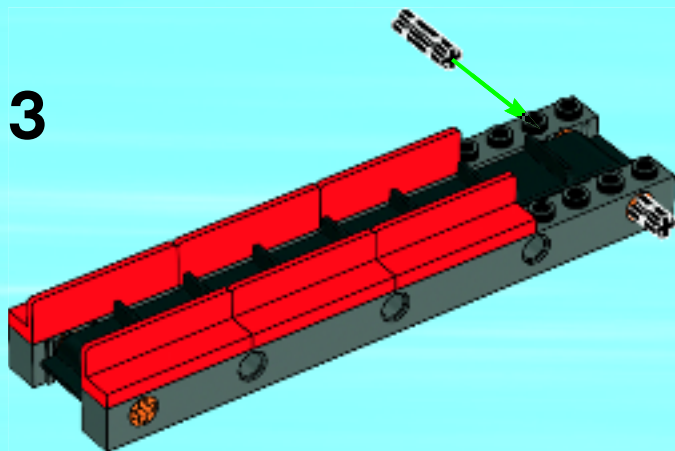
1



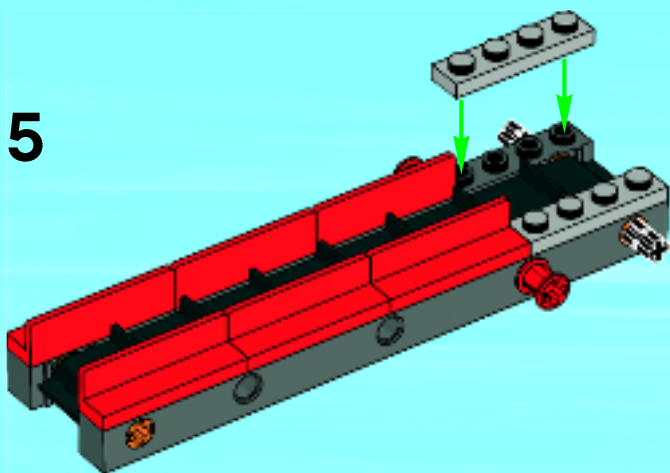
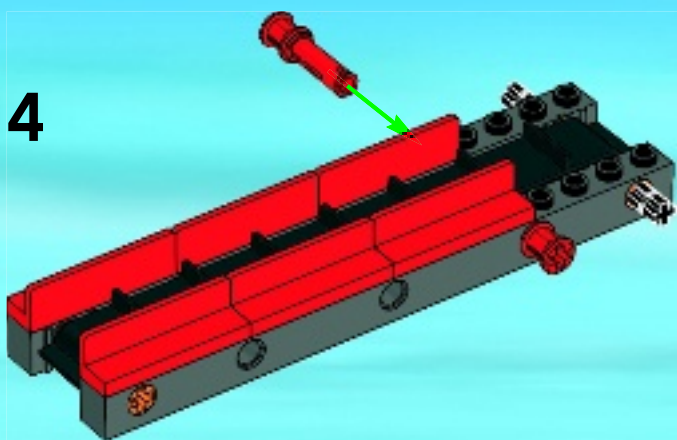
2



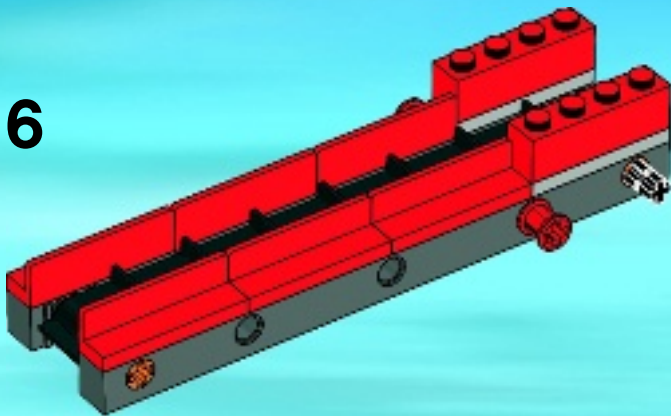
3



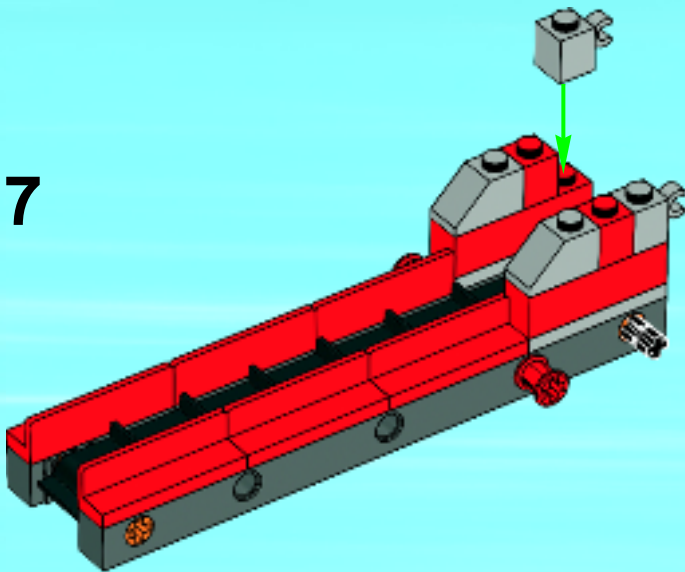




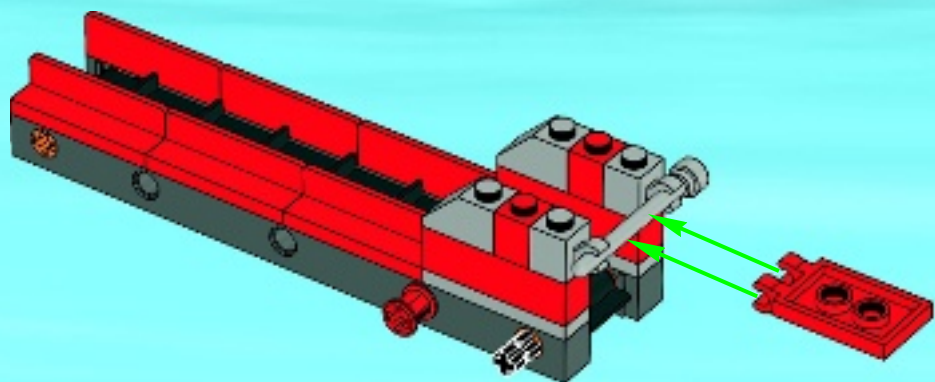
6



7

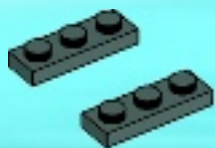


8

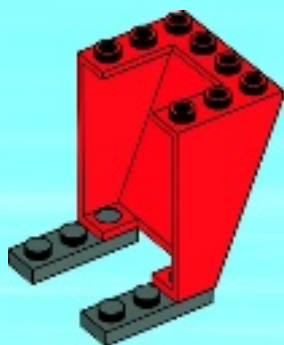


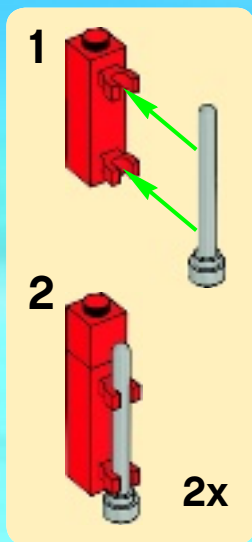


1

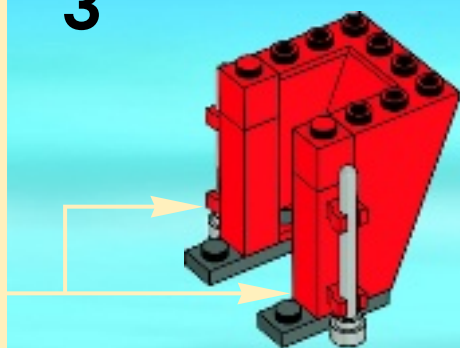


2

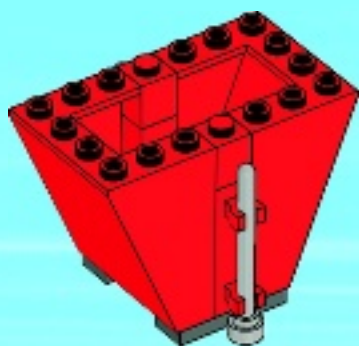




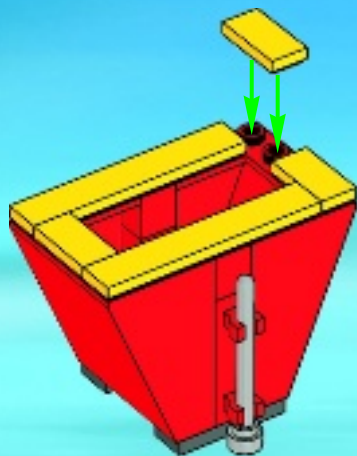
**3**



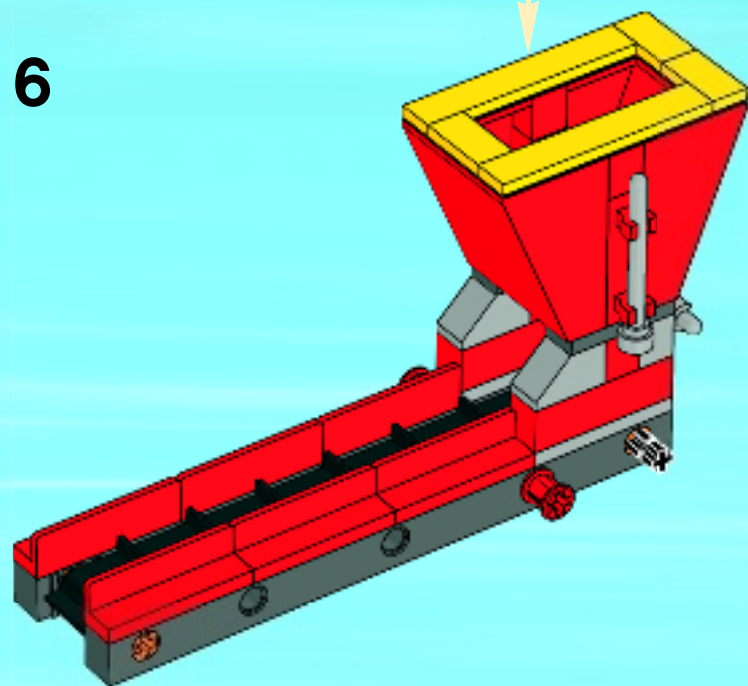
**4**



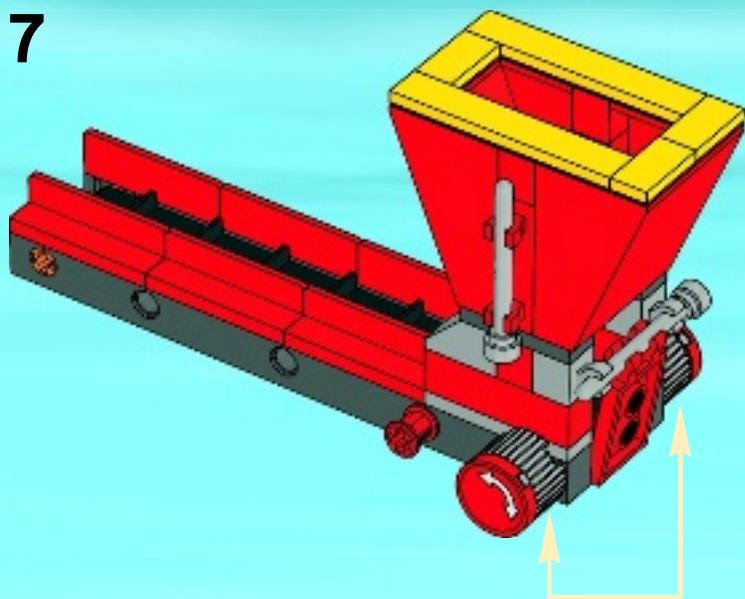
5



6



7



1



2

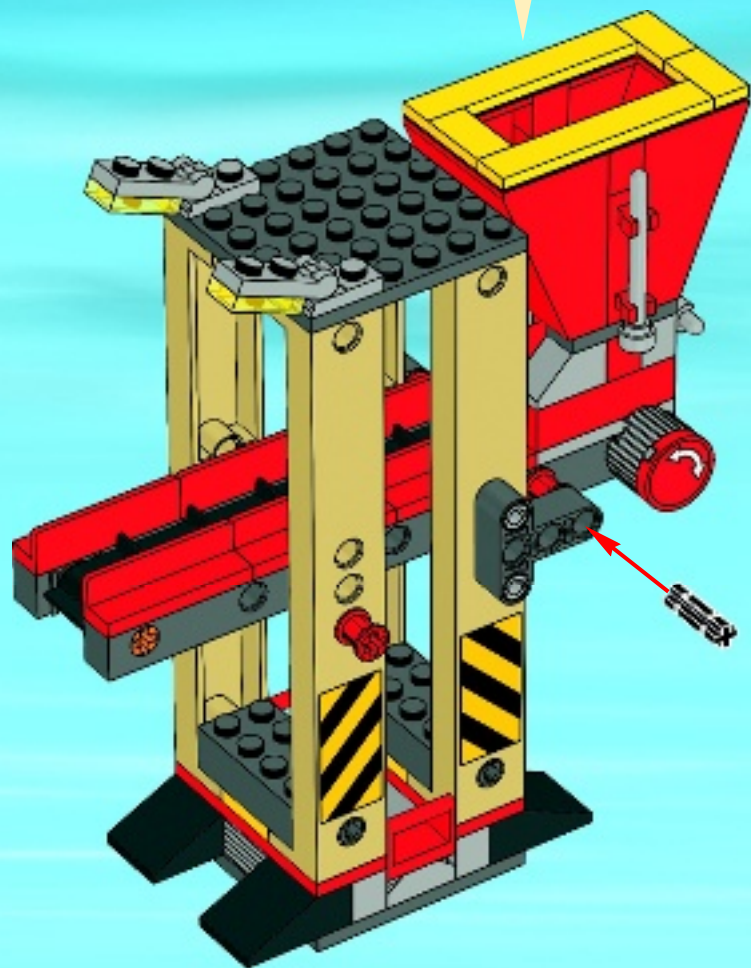


3



2x

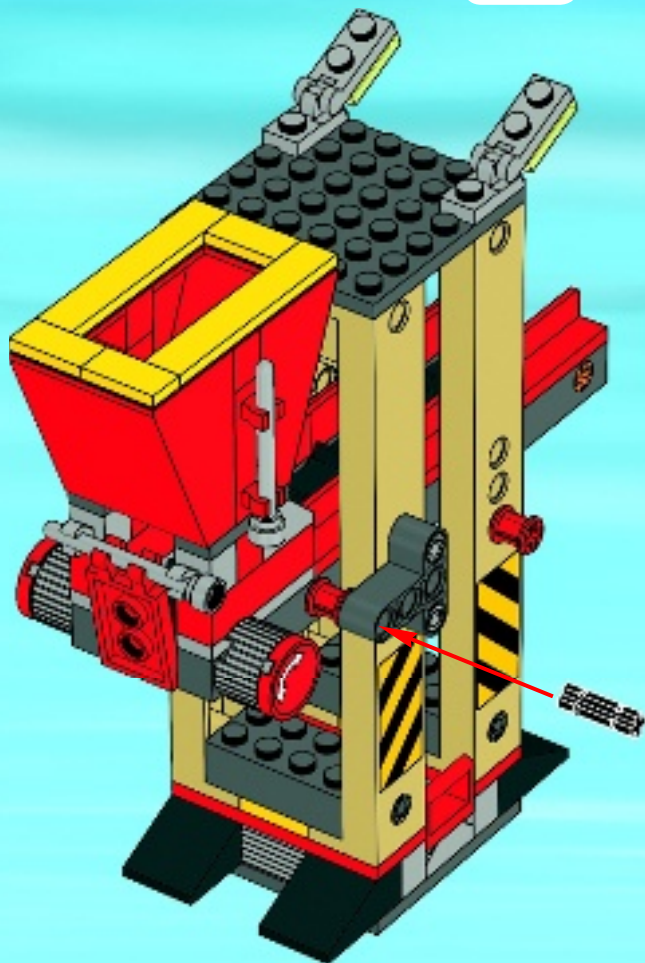
8



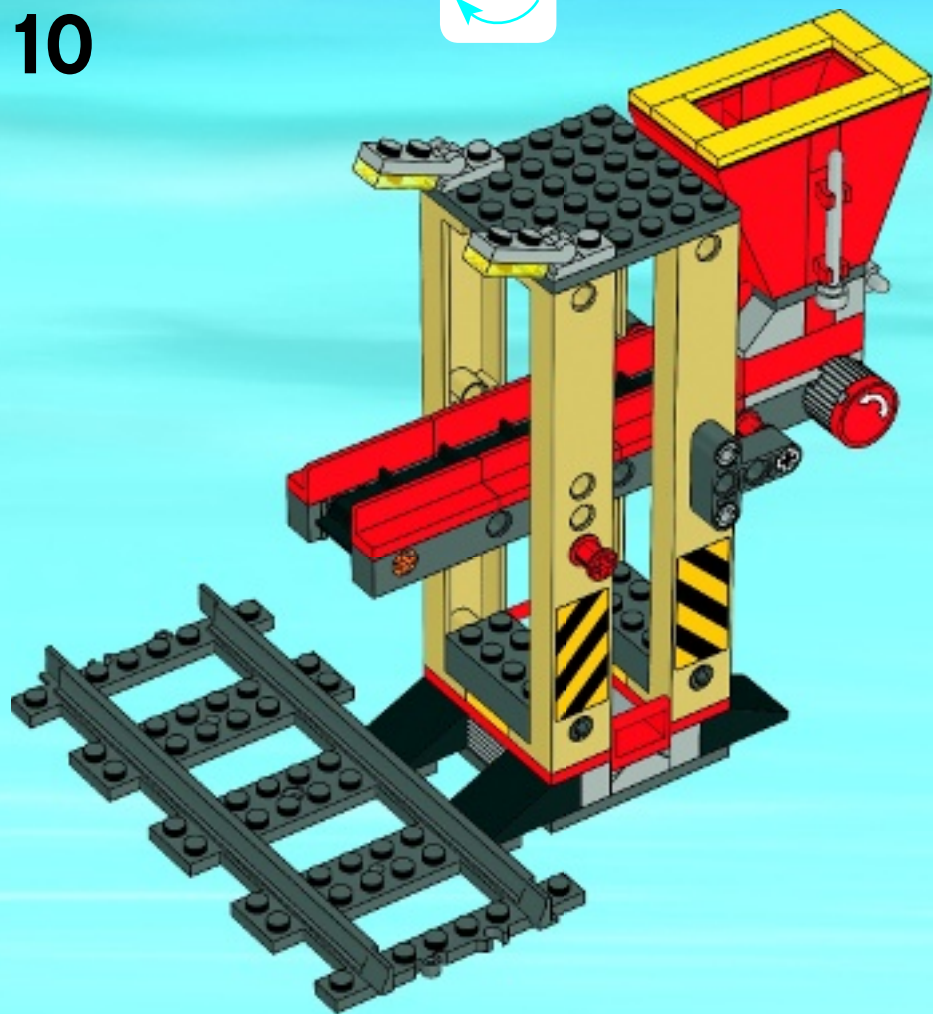


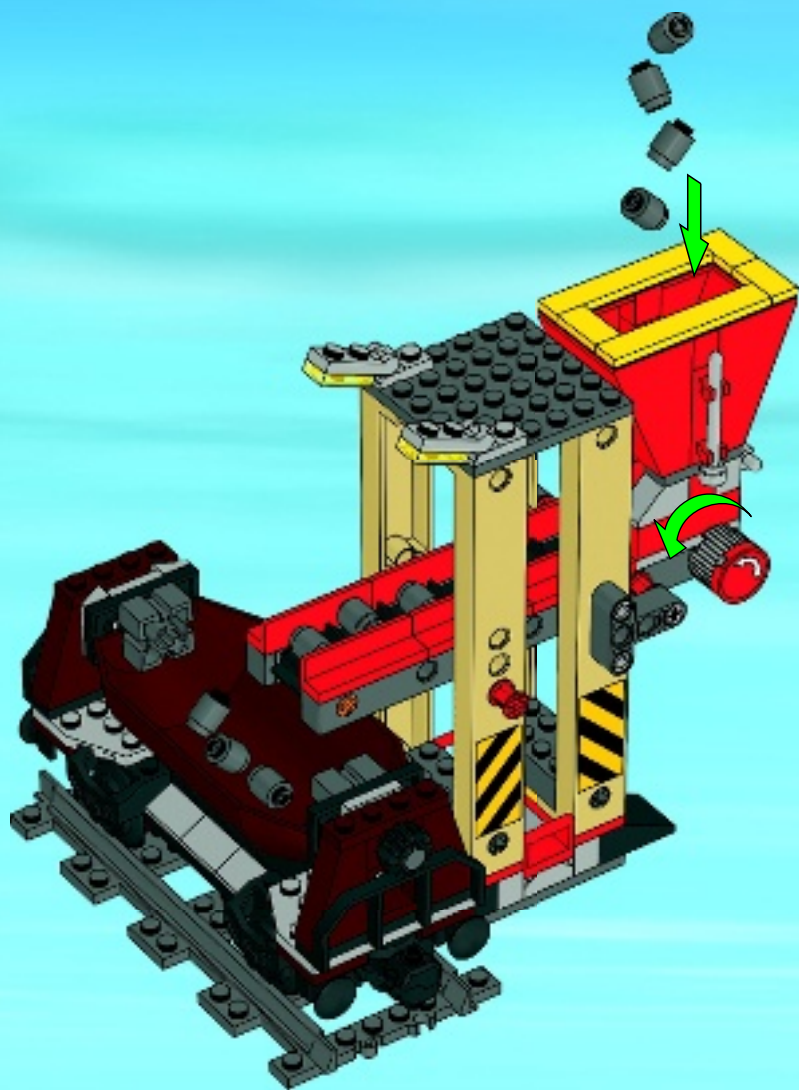


9



10







# CITY

 [www.LEGO.com](http://www.LEGO.com)



LEGO and the LEGO logo are trademarks of the/son des marques de commerce de/  
son marcas registradas de LEGO Group. ©2011 The LEGO Group. 4646708 / 4646709



7895



7896



7936



7937



7938



7939