



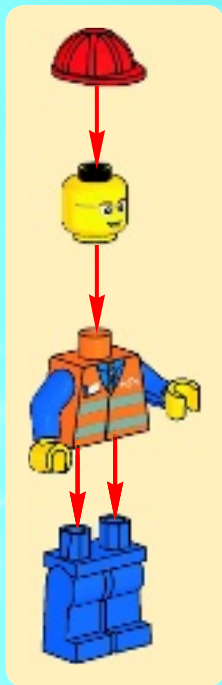
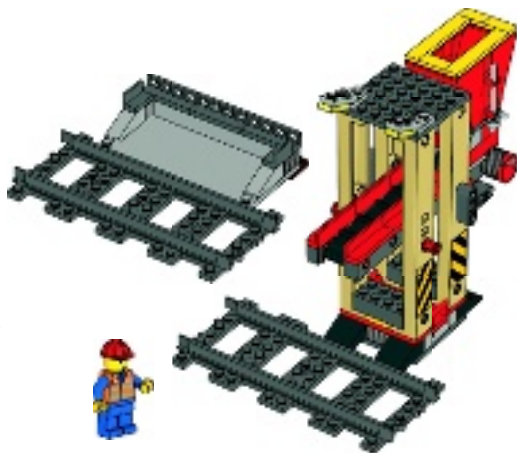
CITY

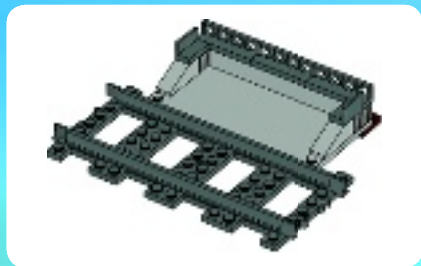
3677





+

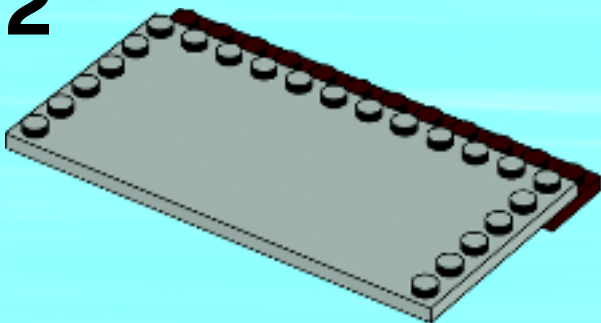


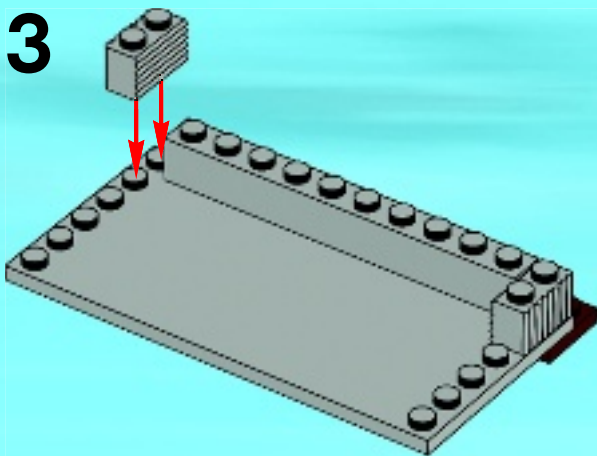


1

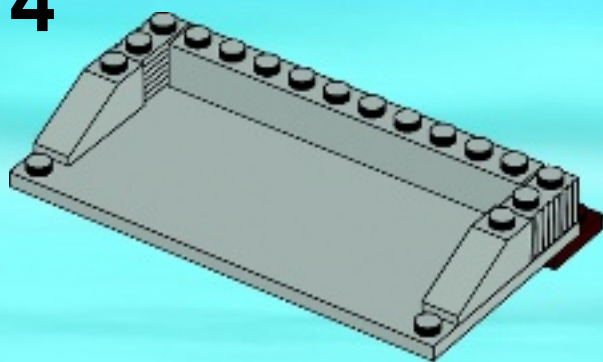


2

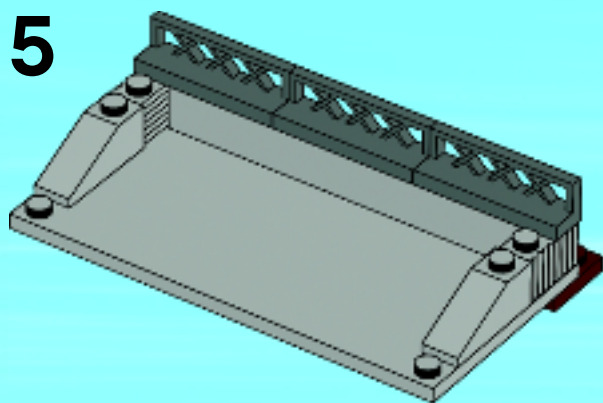




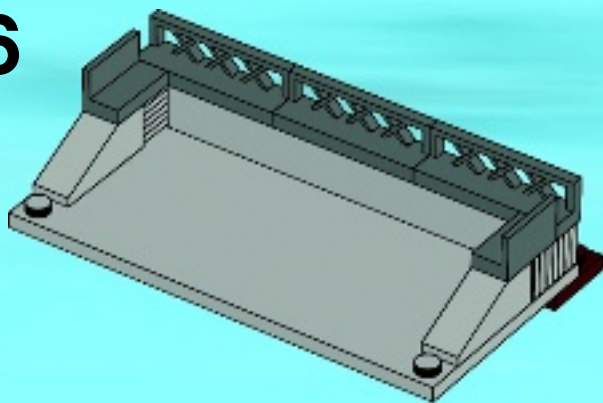
4

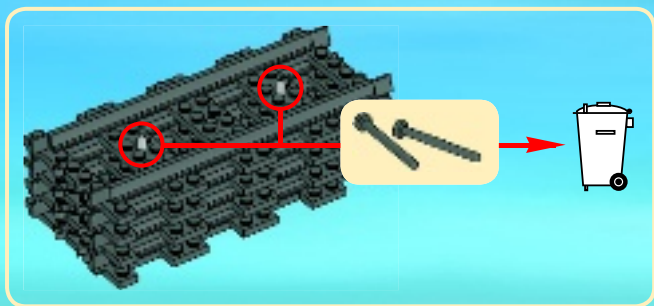


5

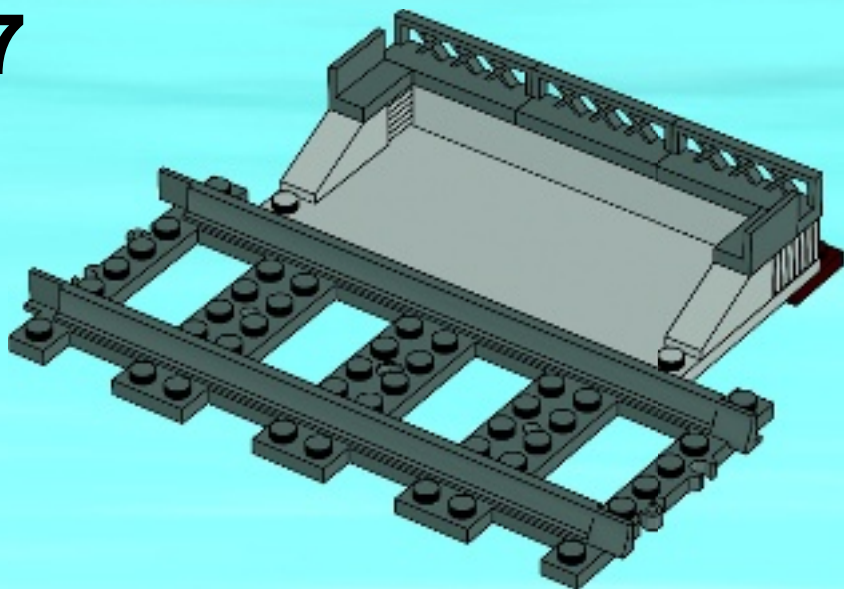


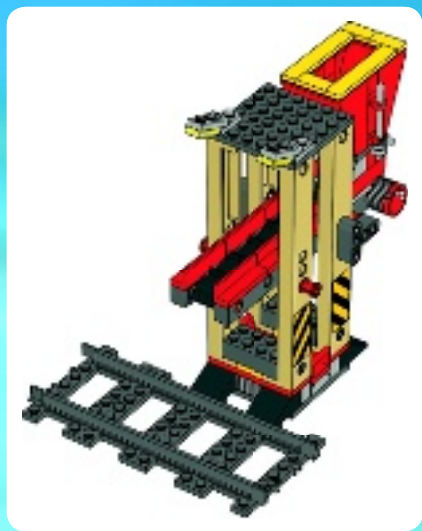
6





7





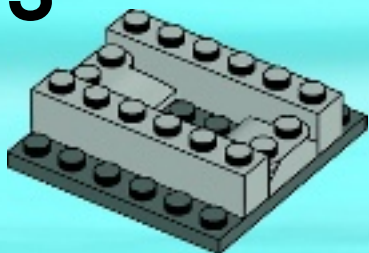
1



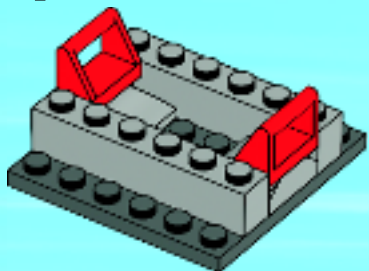
2



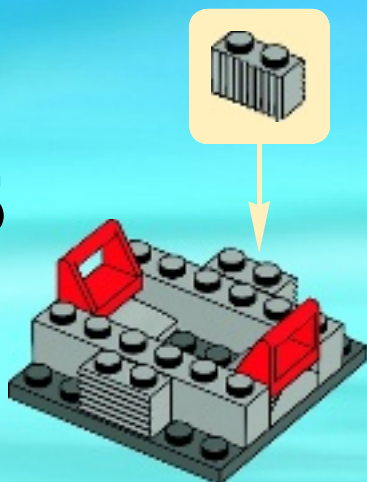
3



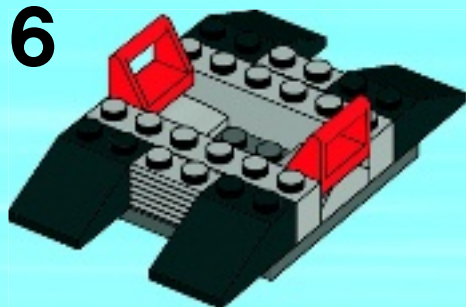
4



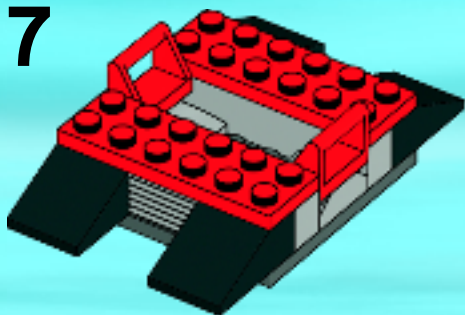
5



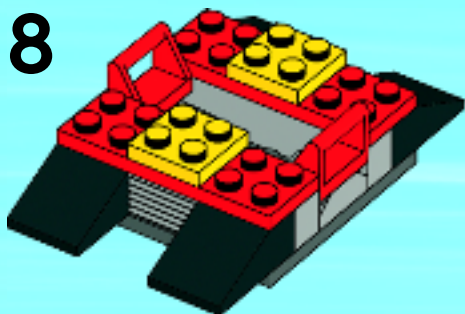
6

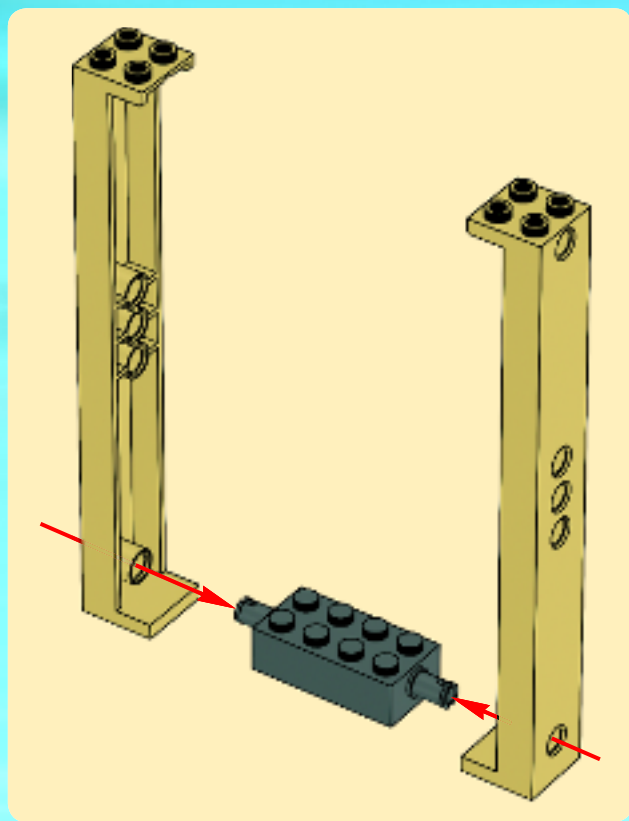


7

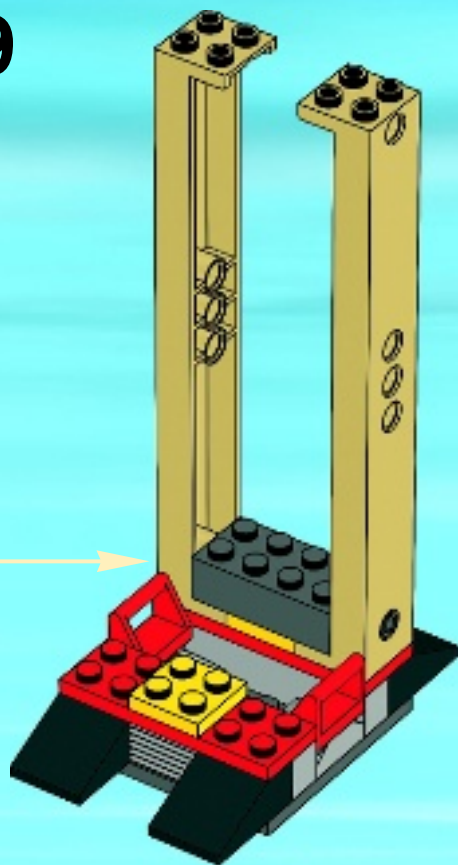


8

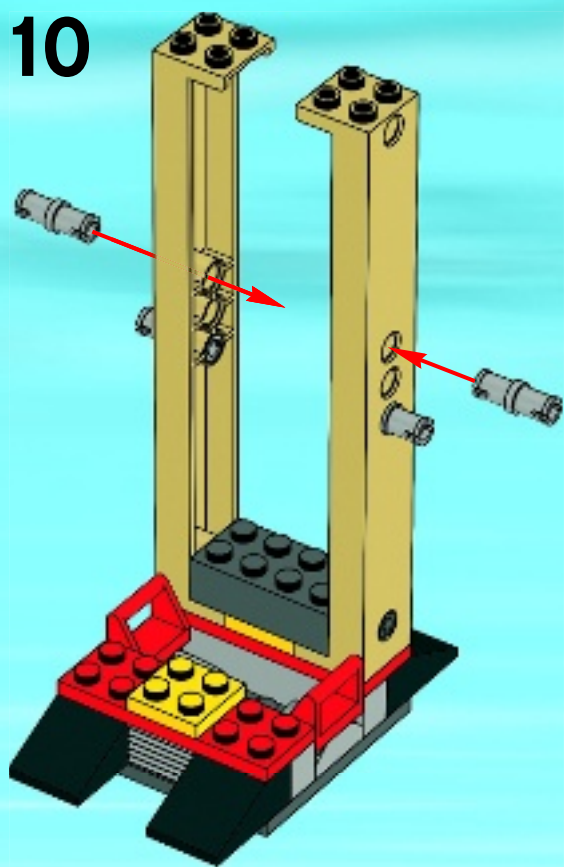




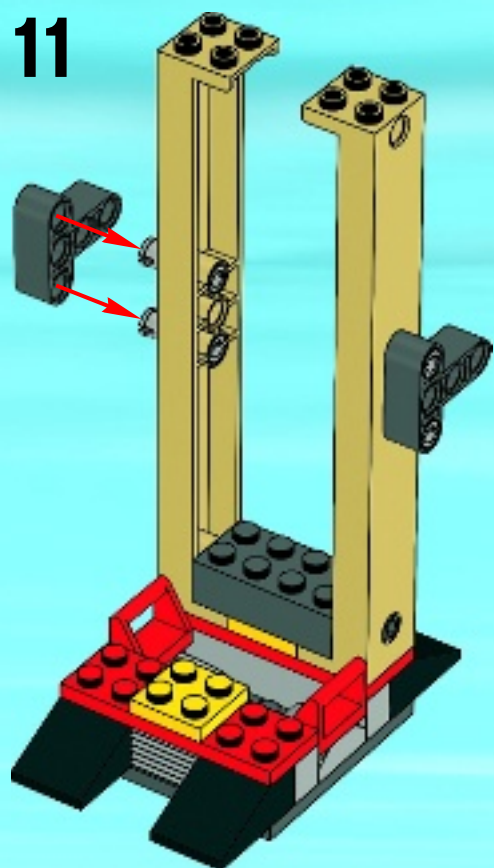
9

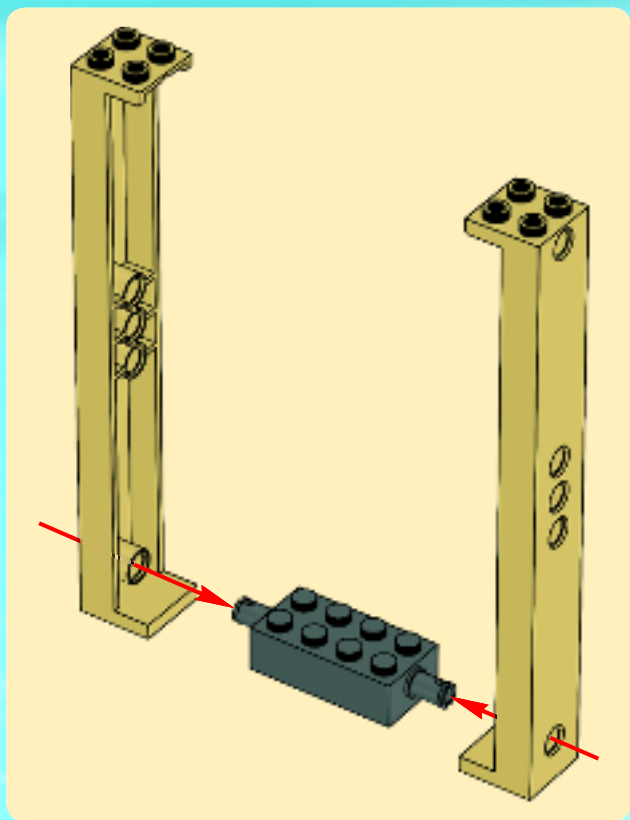


10

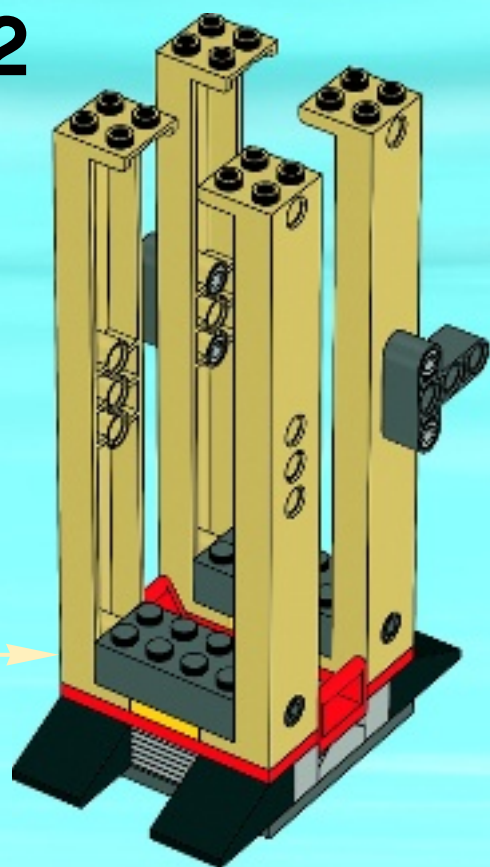


11

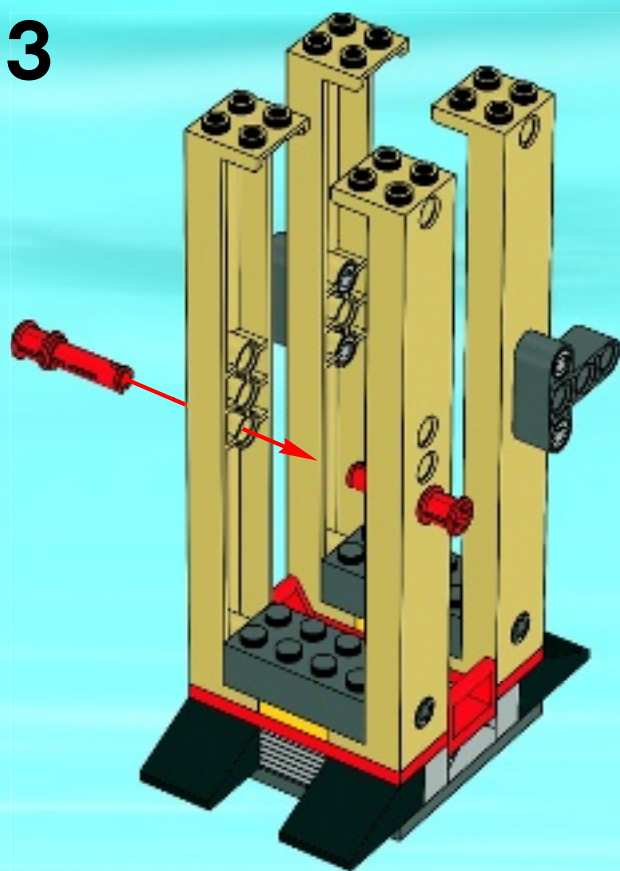




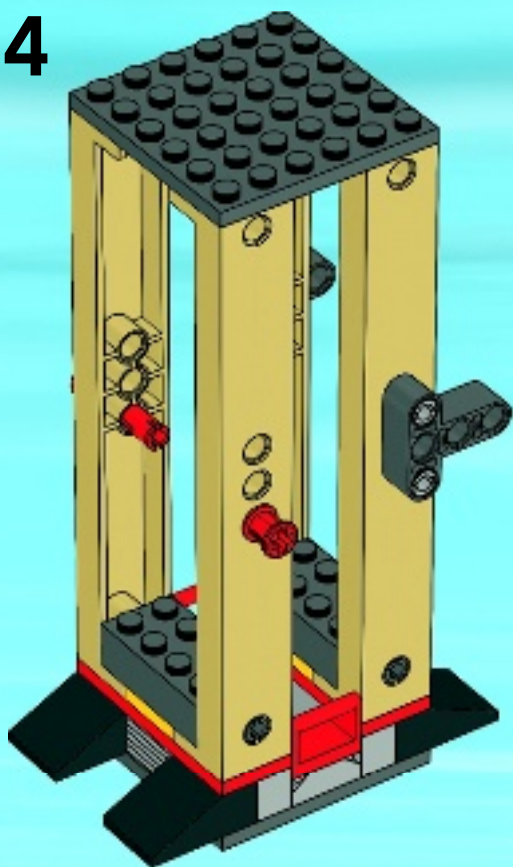
12



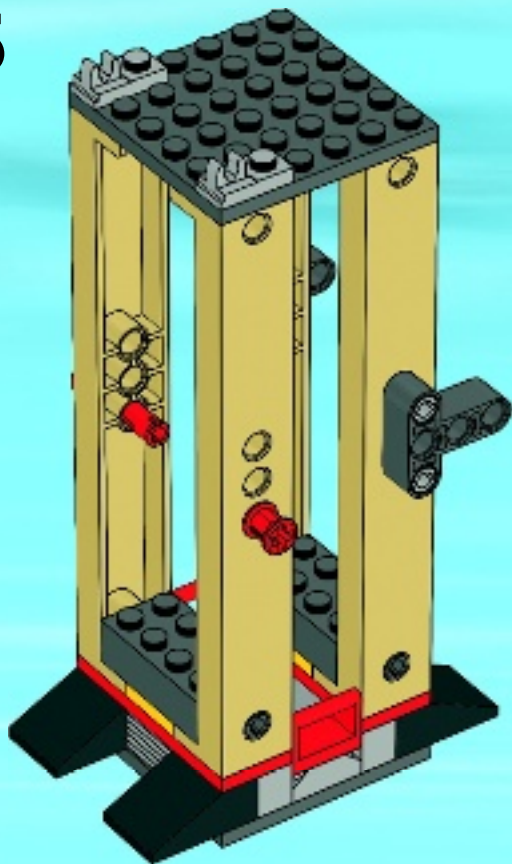
13



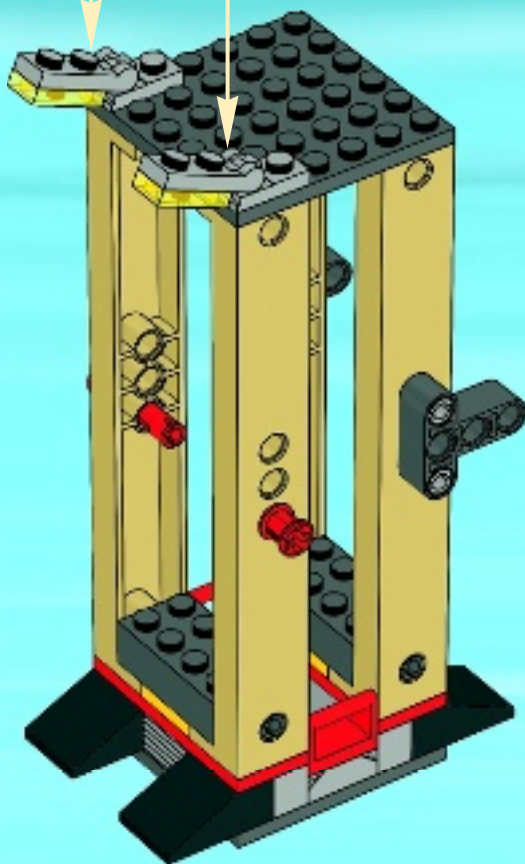
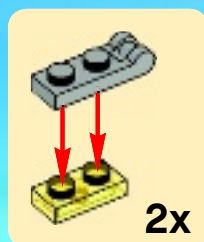
14



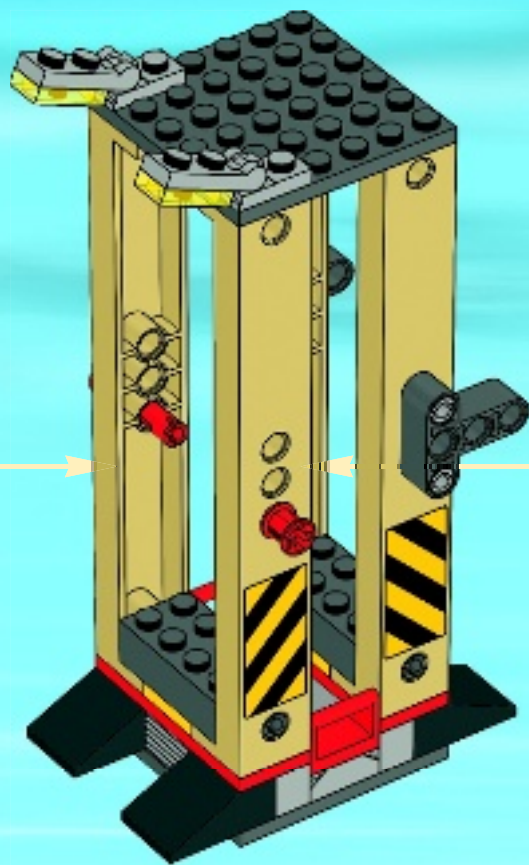
15

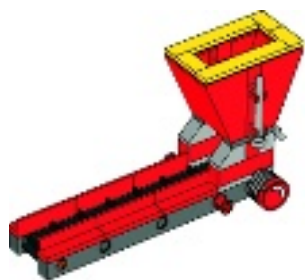


16

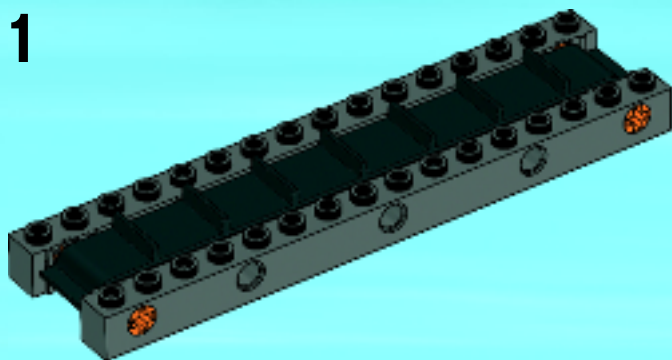


17

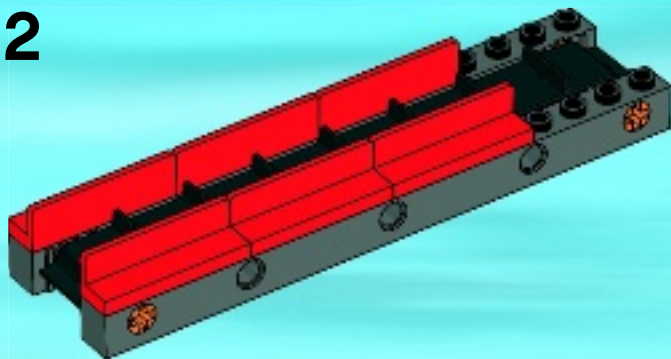




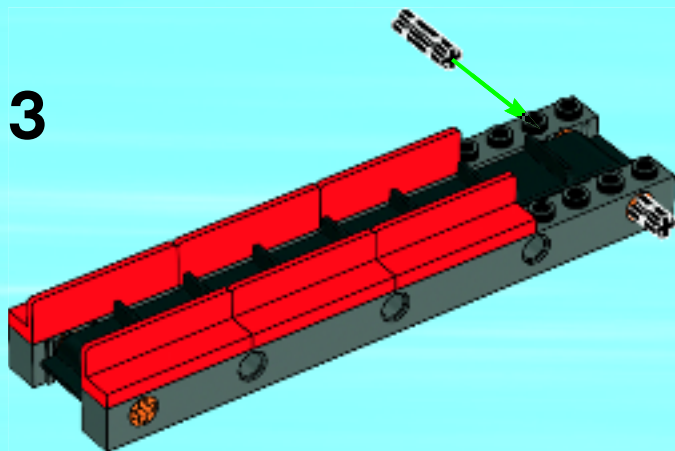
1

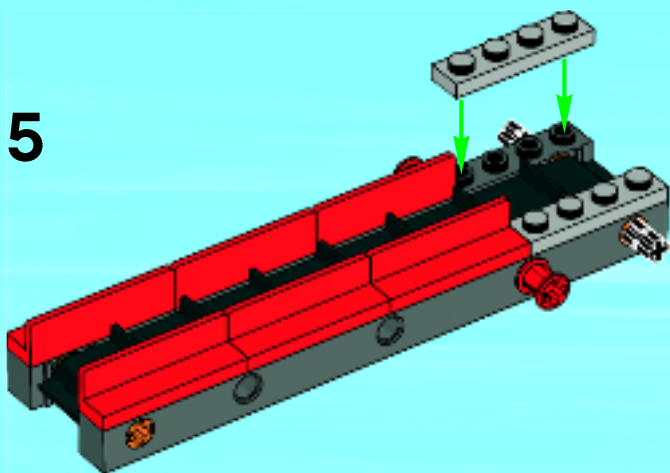
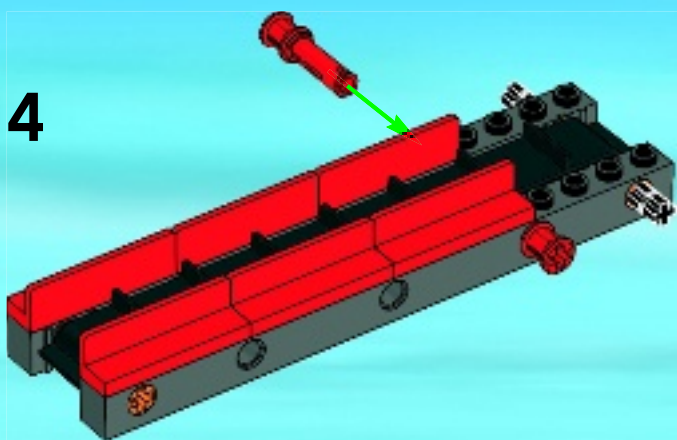


2

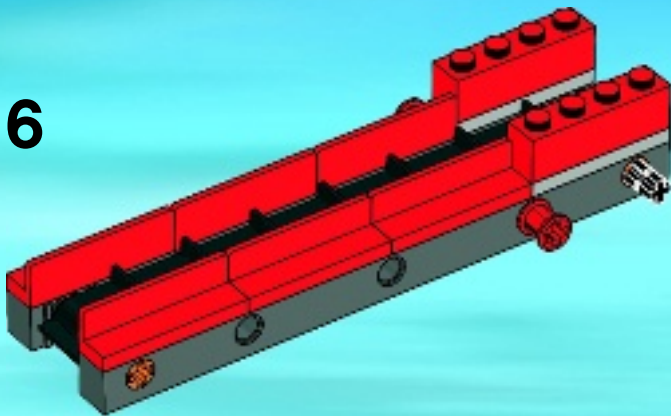


3

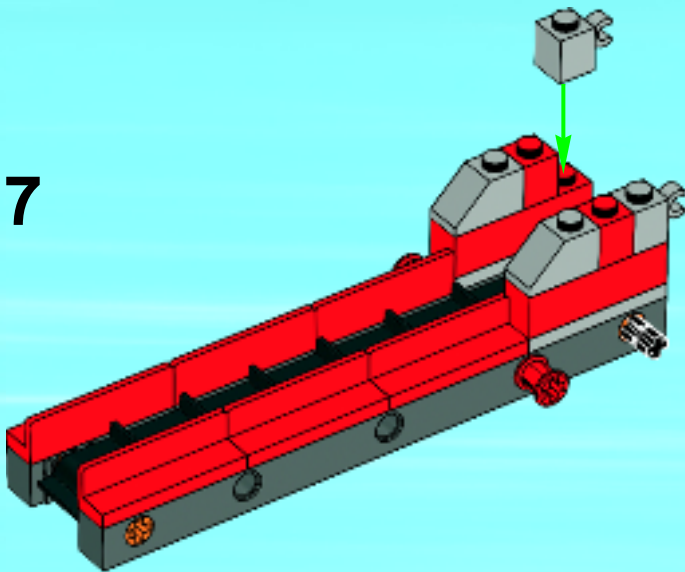




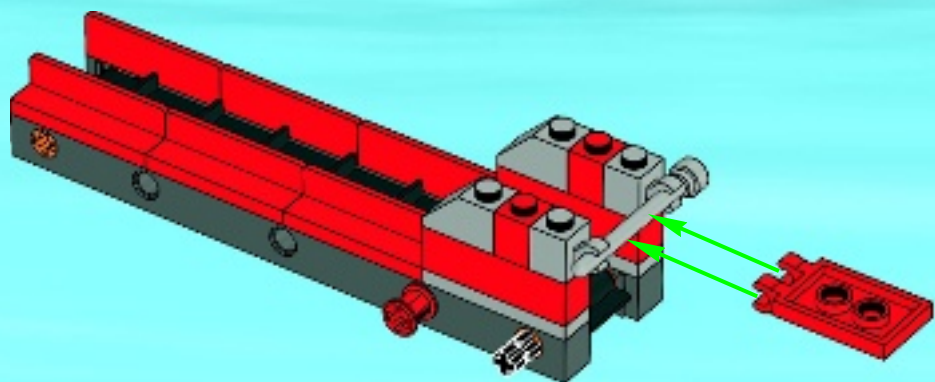
6



7

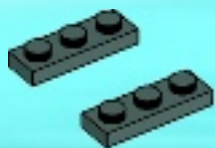


8

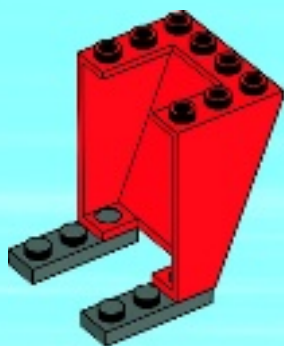


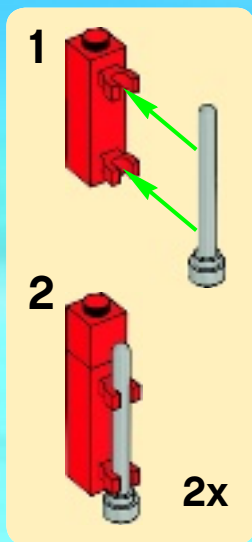


1

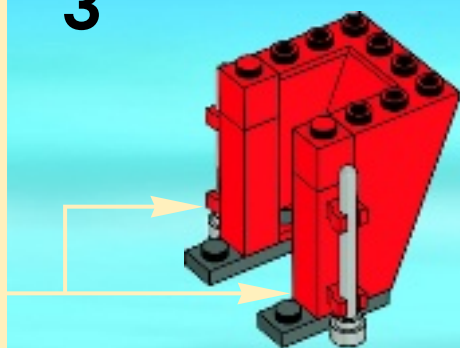


2

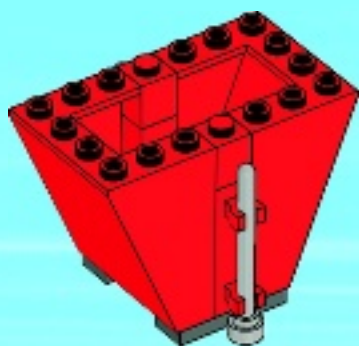




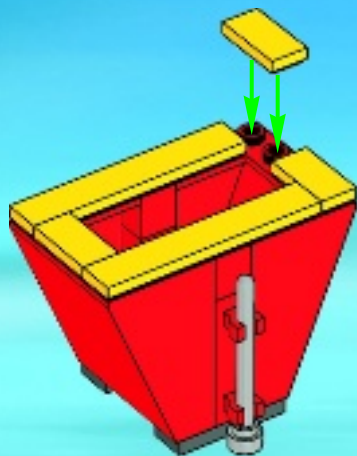
3



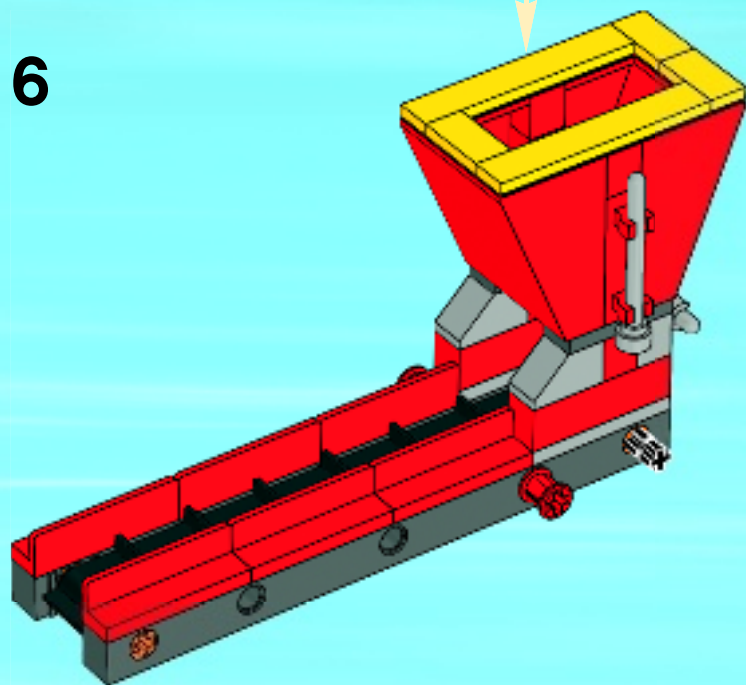
4



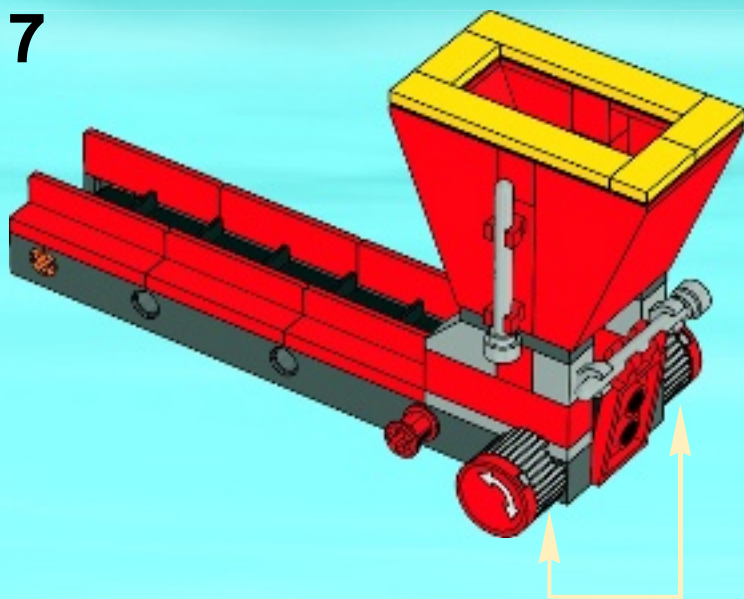
5



6



7



1



2

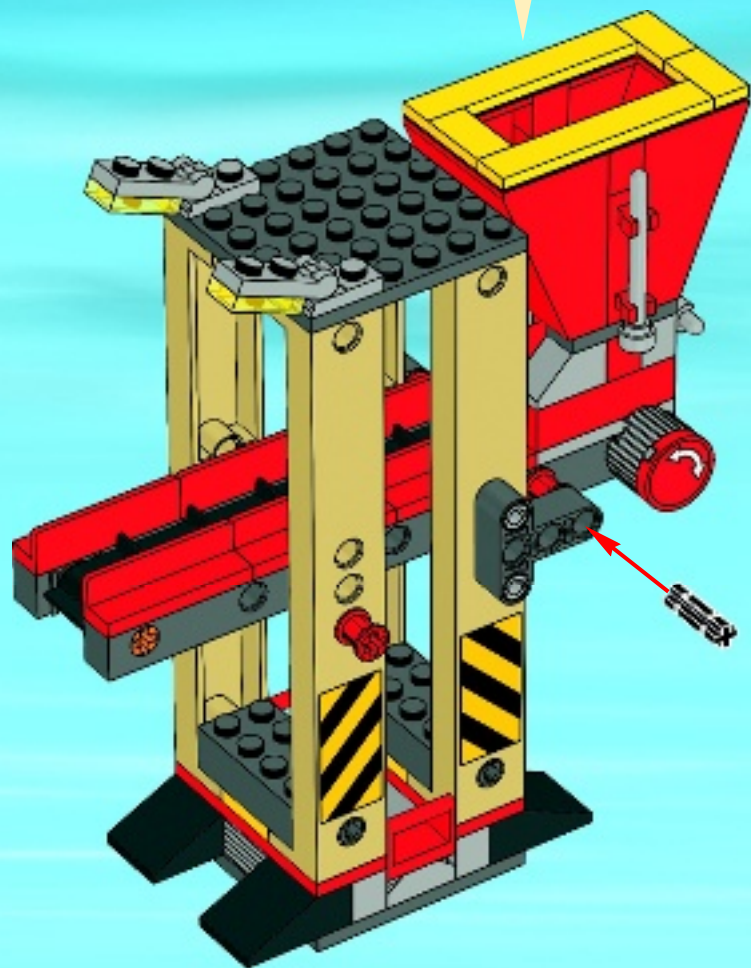


3



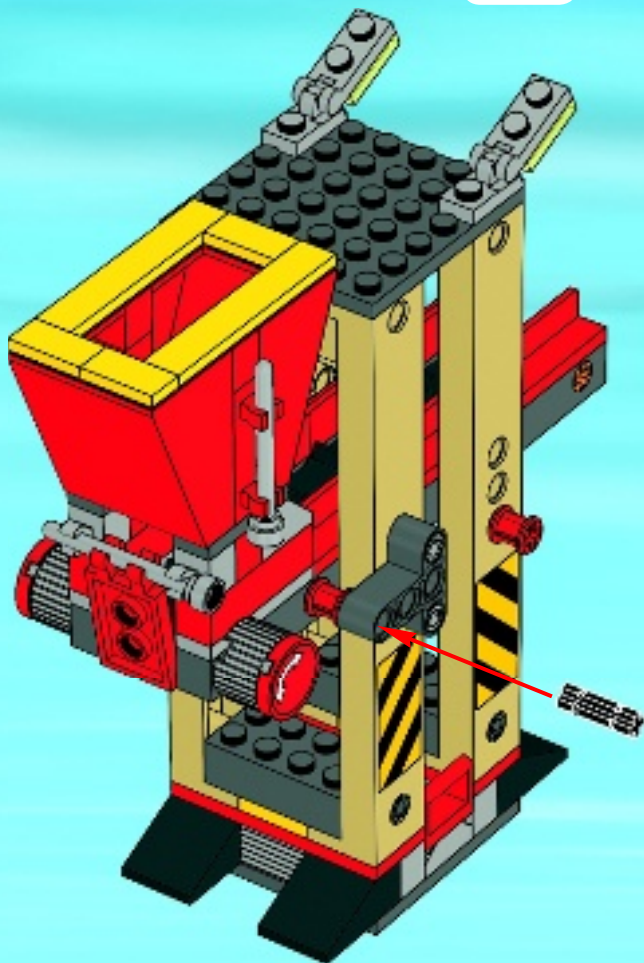
2x

8

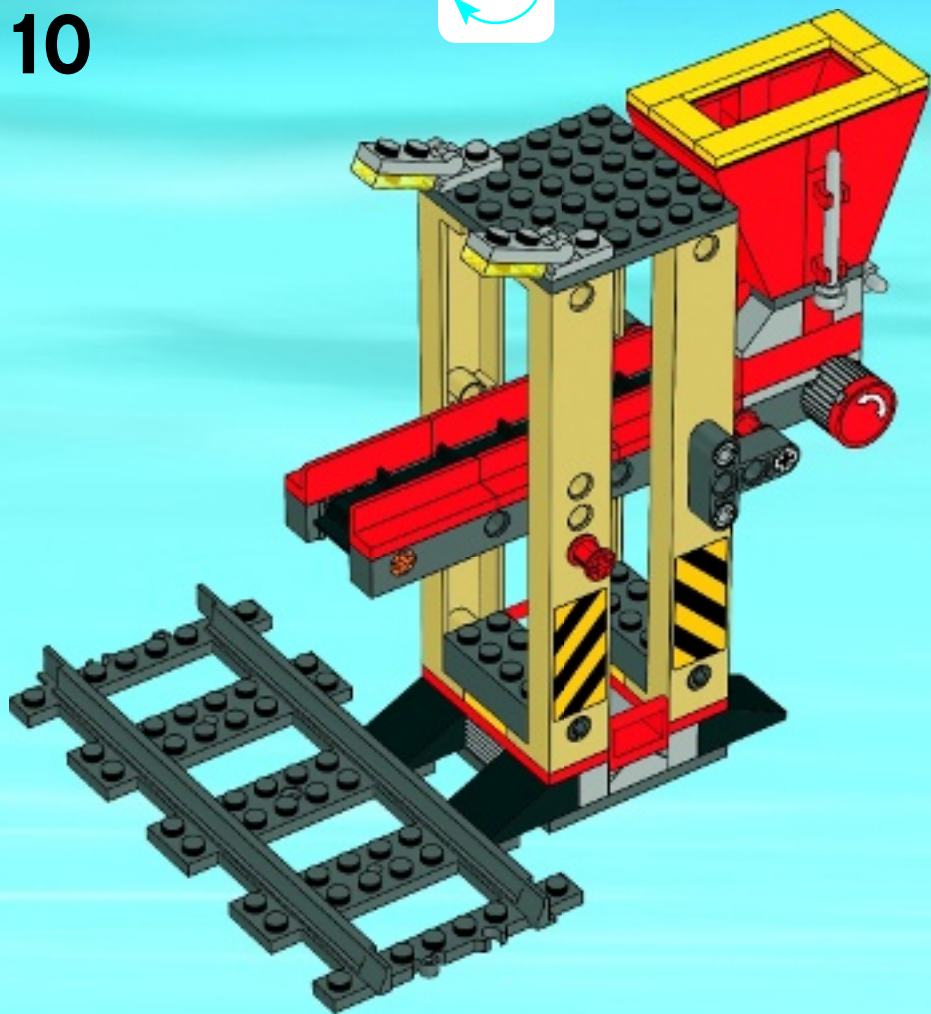


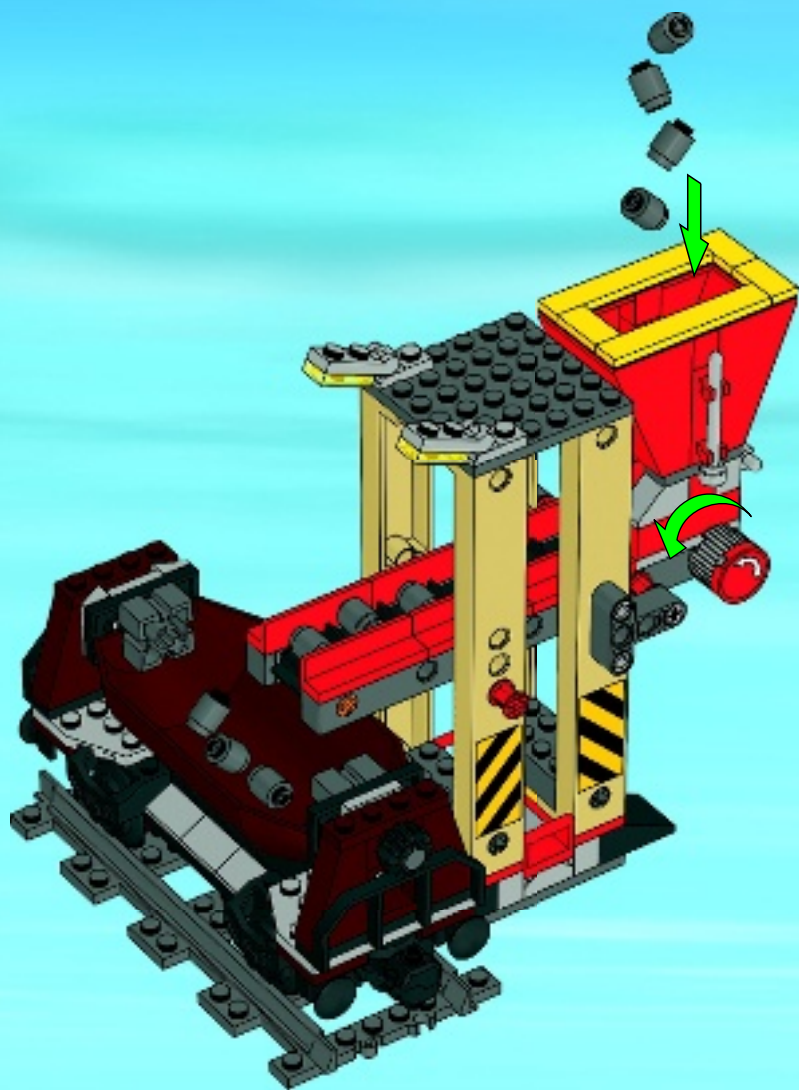


9



10







CITY

7 www.LEGO.com



LEGO and the LEGO logo are trademarks of the/son des marques de commerce de/
son marcas registradas de LEGO Group. ©2011 The LEGO Group. 4646708 / 4646709



7895



7896



7936



7937



7938



7939