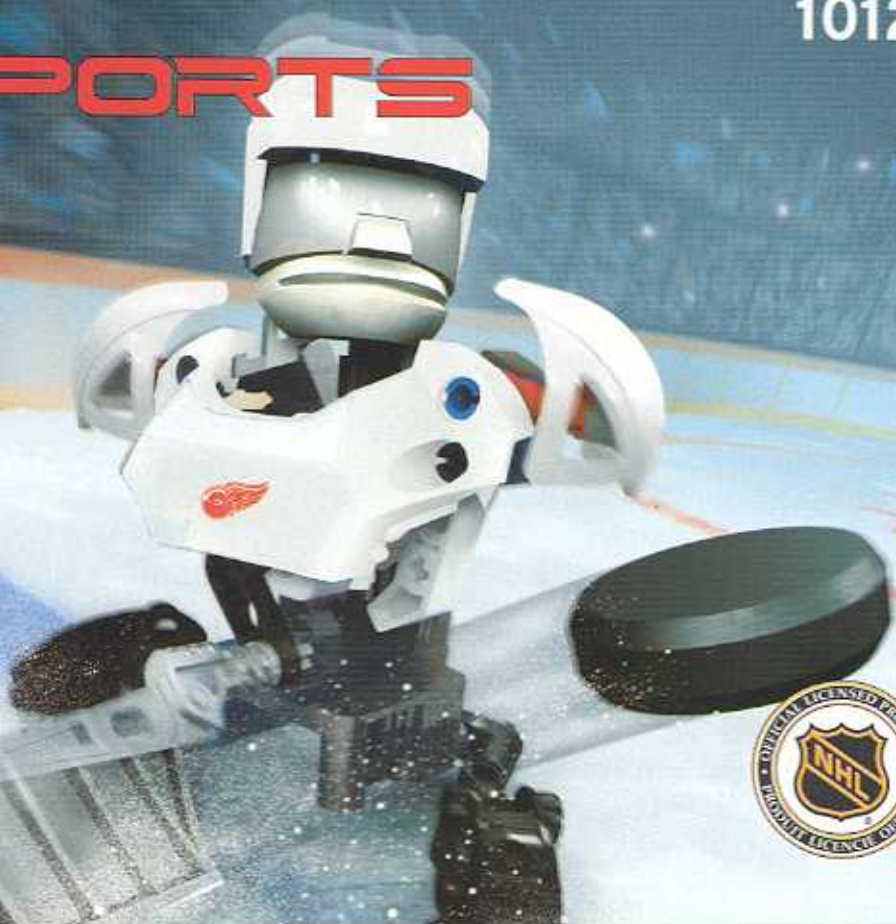


10127



SPORTS



4217500

3540



3541



3542



3543





3540 Puck Passer



3541 Slap Shot



3542 Flip Shot



3543 Slammer Goalie



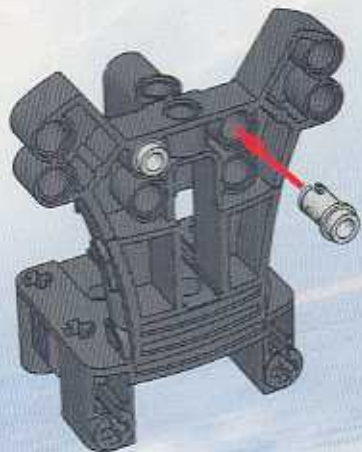
3544 Game Set



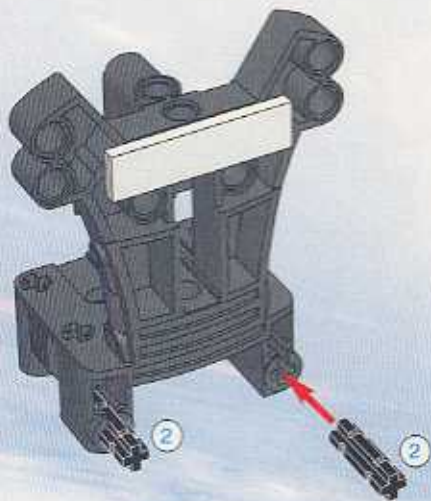
3545 Puck Feeder



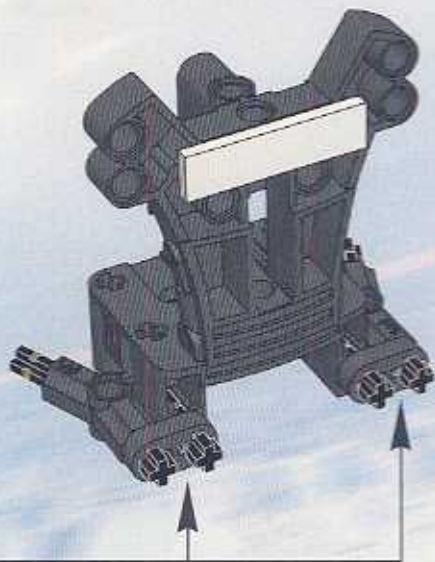
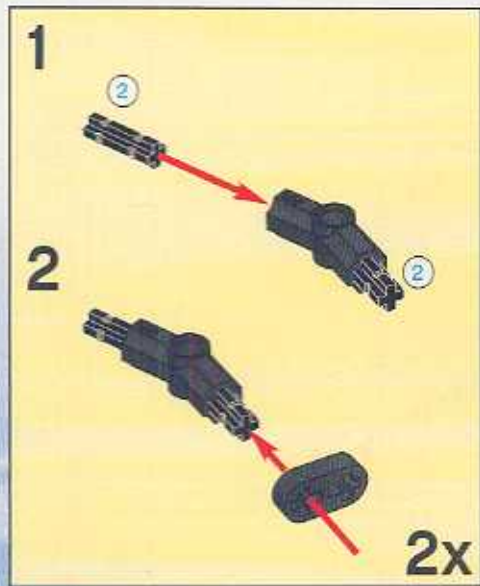
1



2

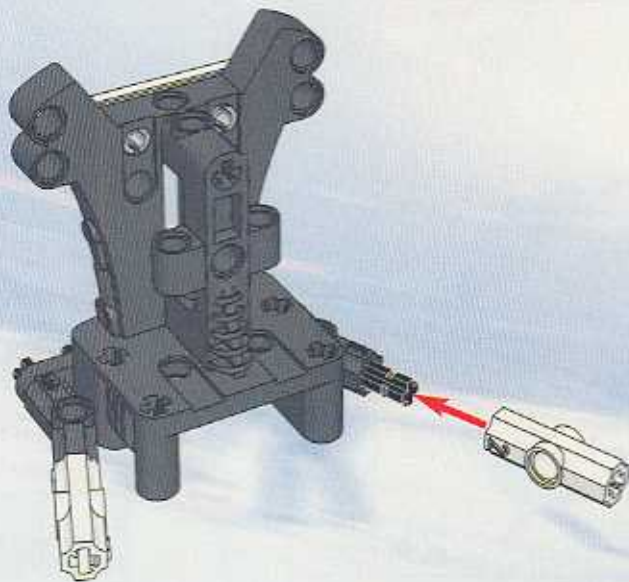


3

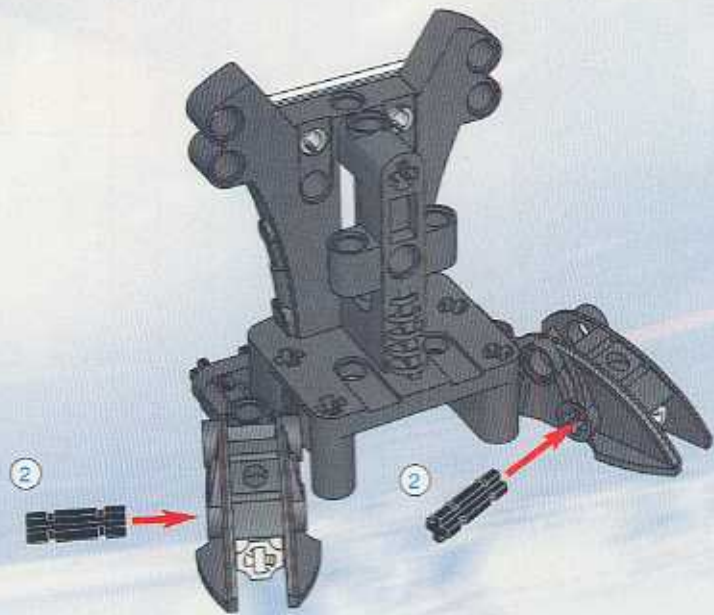




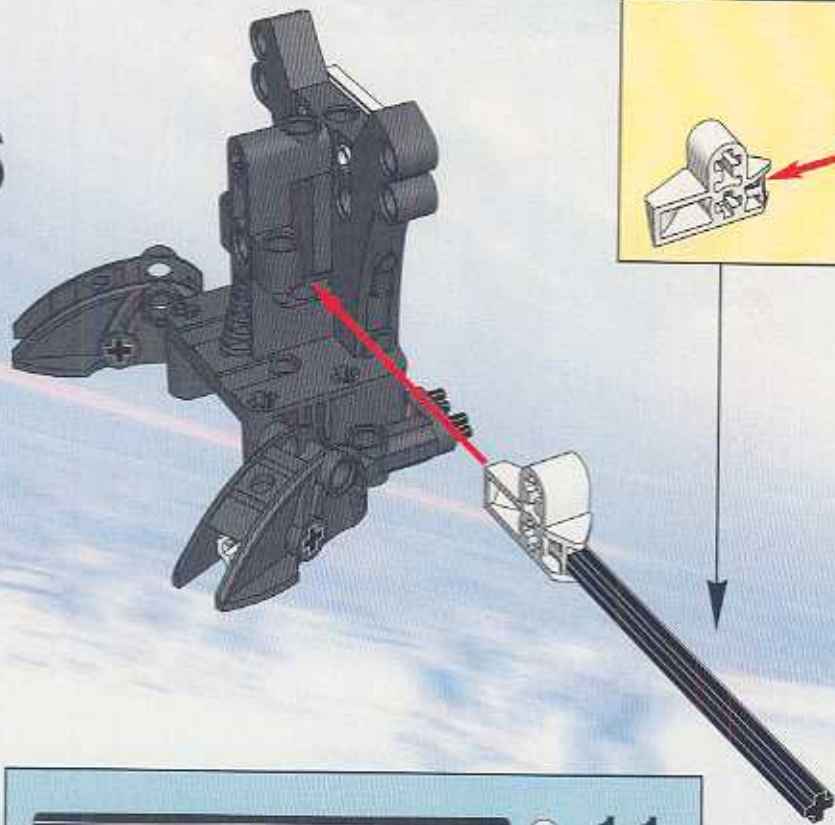
4



5



6



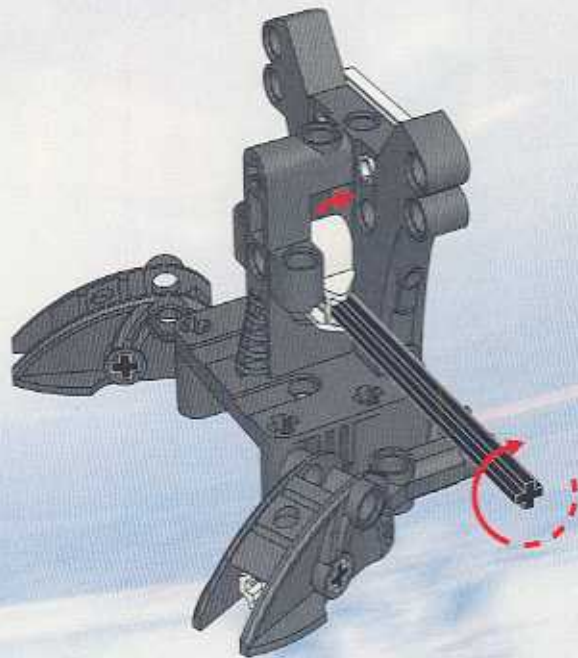
8



8

1:1

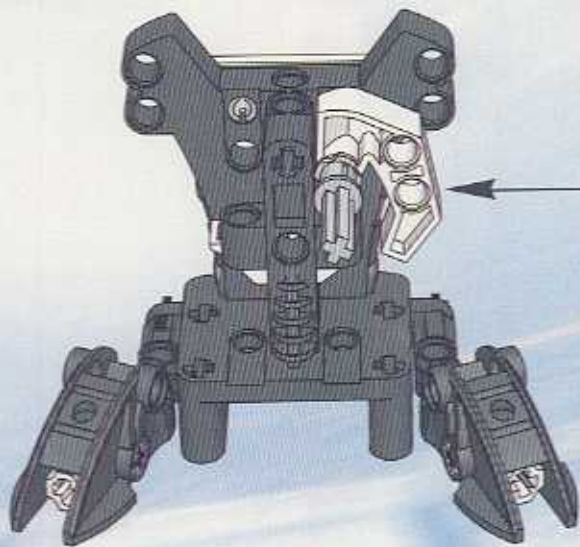
7



8



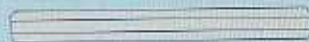
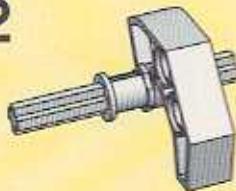
9



1



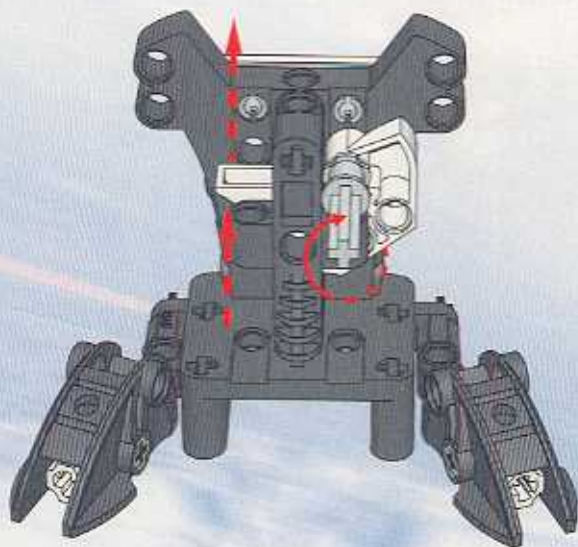
2



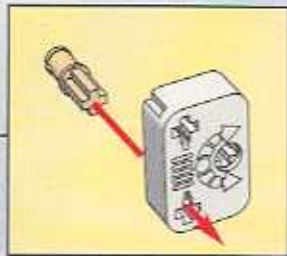
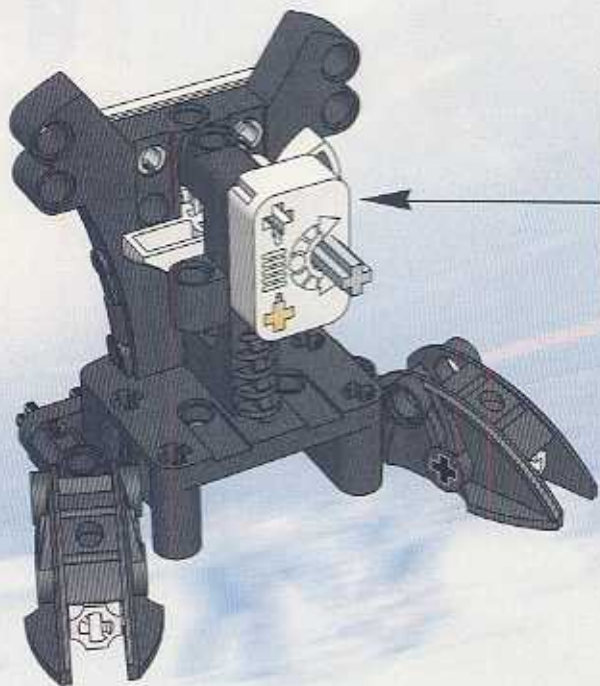
5

1:1

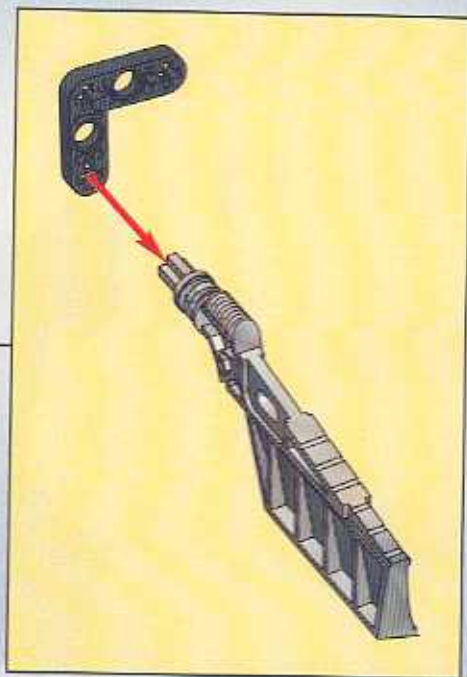
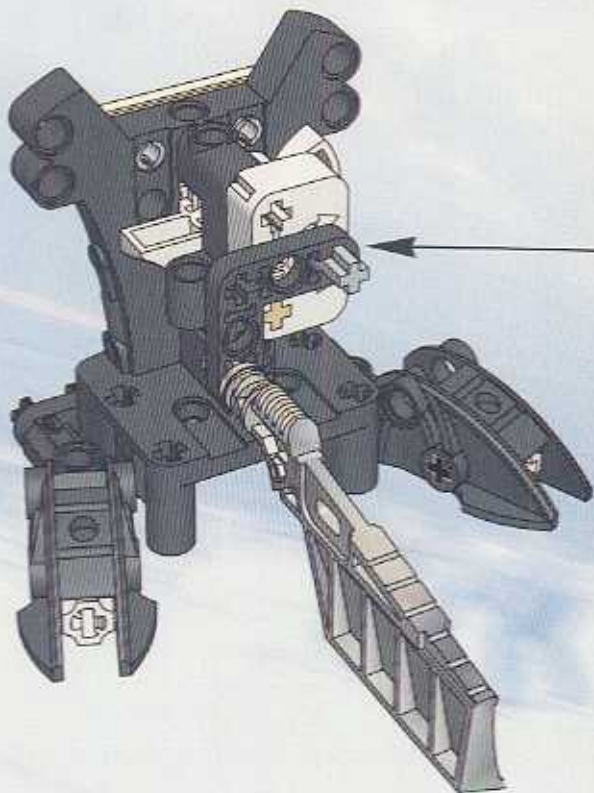
10

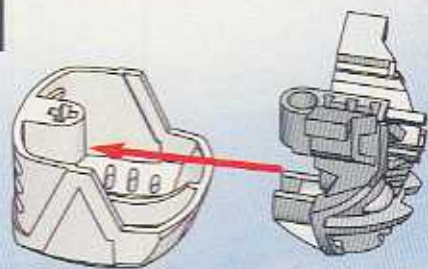


11

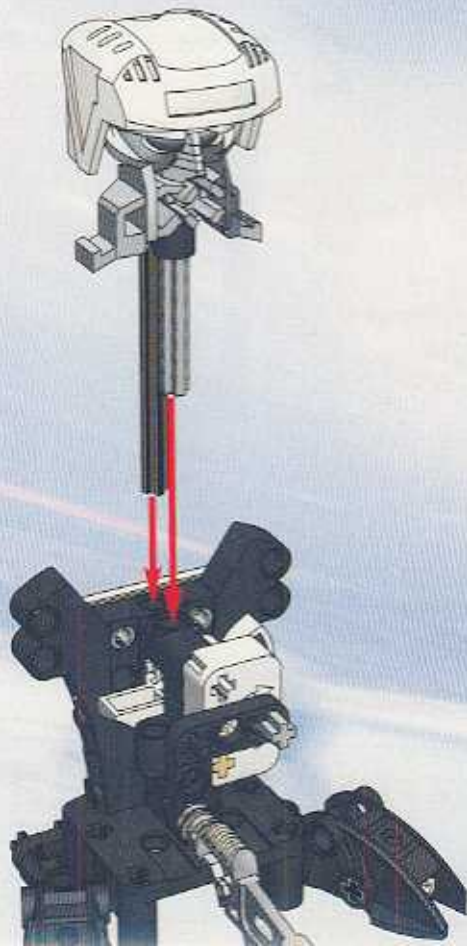


12

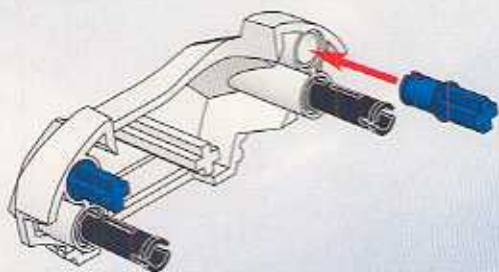


1**2****3**

13



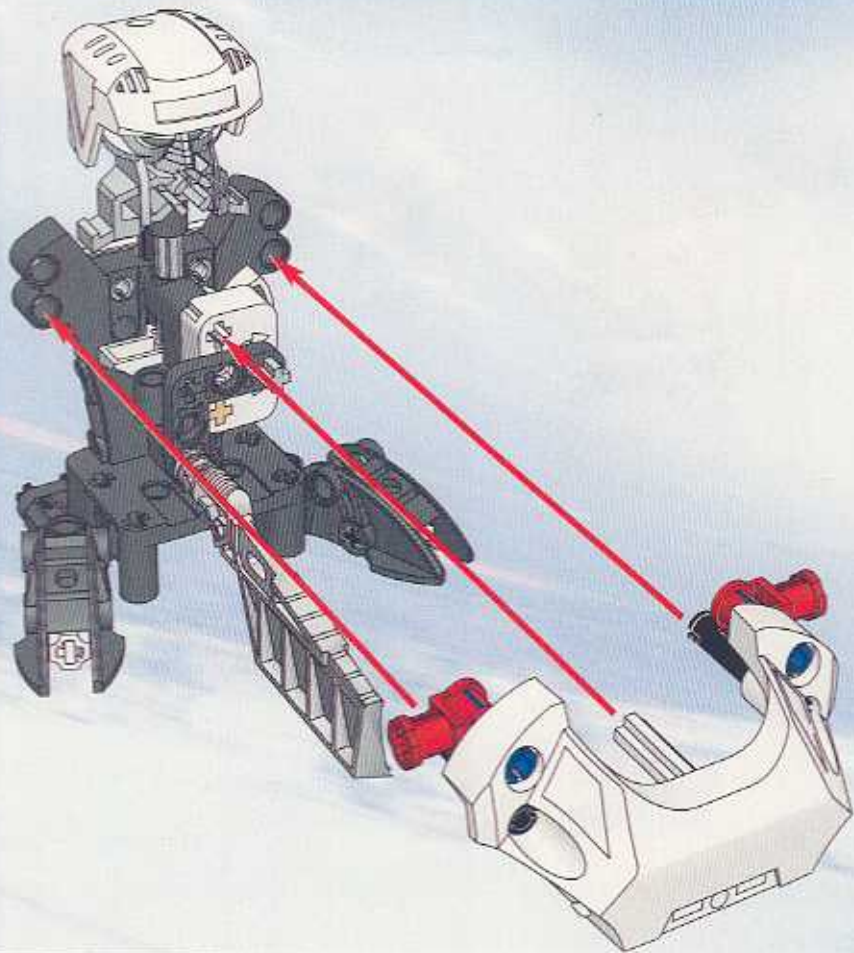
1



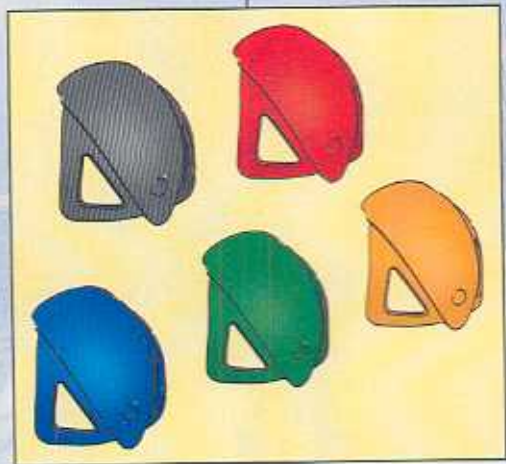
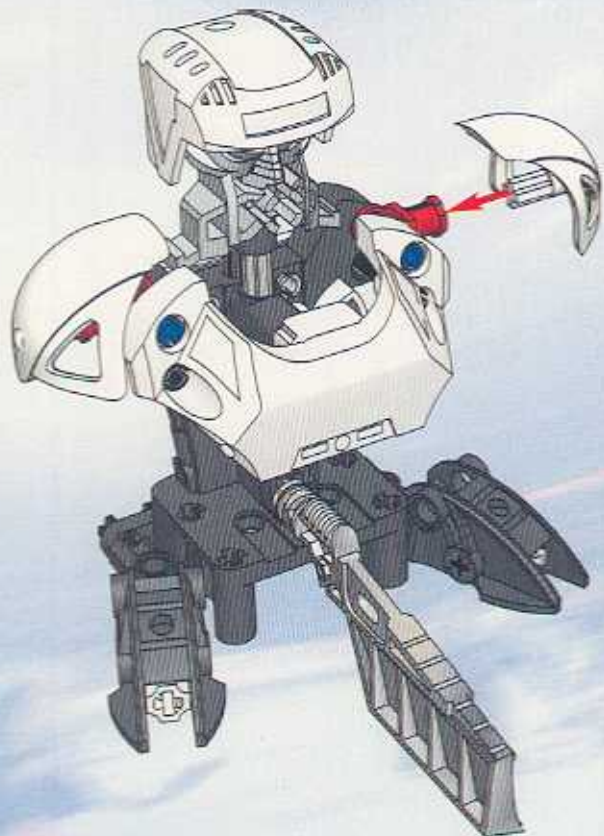
2



14



15



16





LEGO



www.LEGO.com/sports

nhlpa
.com

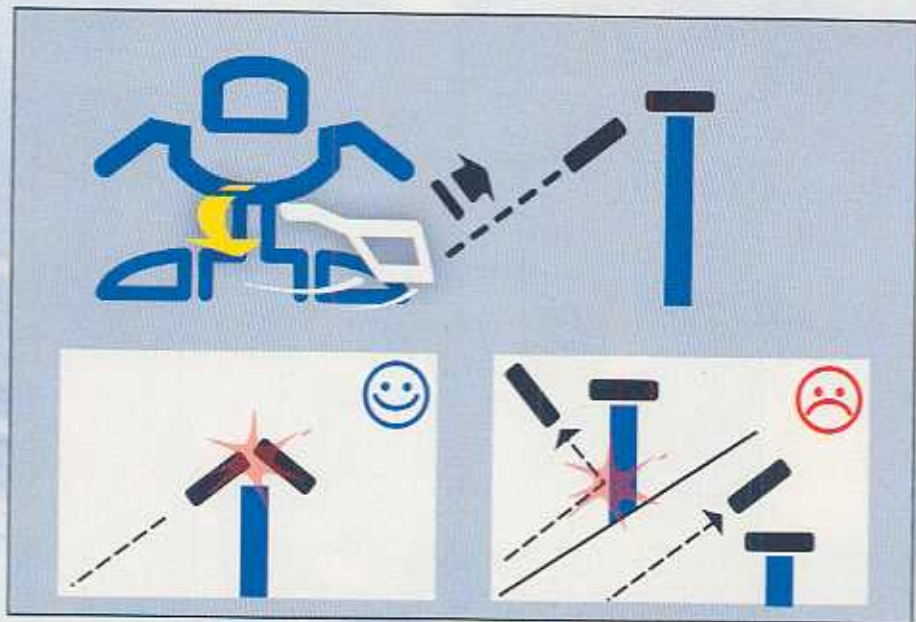


LEGO, the LEGO logo and the LEGO name are trademarks of the LEGO Group.
©1999 The LEGO Group.

NHL and the NHL logo are trademarks and service marks of the National Hockey League (NHL), league and players and their clubs. NHL and its associated marks are the property of the NHL and its associated league and clubs and are reproduced here only with their written consent of NHL Enterprises, L.P. © NHL 2005. All Rights Reserved.

© NHLPA, NHLPA, National Hockey League Players' Association and the NHLPA logo are trademarks of the NHLPA.







LEGO SPORTS







3420

3421



3422



3424



3423

LEGO SPORTS



3541 + 3542 =



The LEGO logo is displayed in its characteristic white, bold, sans-serif font with a black outline, set against a solid red rectangular background.

www.LEGO.com/sports

ALBETTE
nhlpa
.com



LEGO, the LEGO logo and The Brick are trademarks of the LEGO Group.
©2004 The LEGO Group.

NHL and the NHL logo are registered trademarks of the National Hockey League (NHL). Logos and names and team colors and trade dress and other marks are the property of the NHL and the respective teams and may not be reproduced without the prior written consent of NHL Enterprises, L.P. © NHL, 2004. All Rights Reserved.

© NHLPA, NHLPA, National Hockey League Players' Association and the NHLPA logo are trademarks of the NHLPA.

