

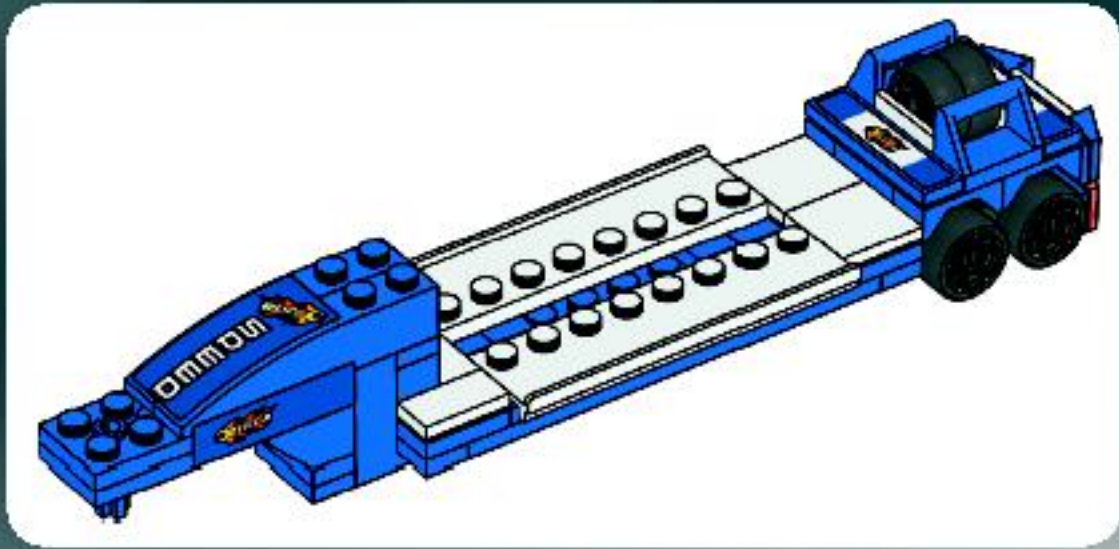


RACERS

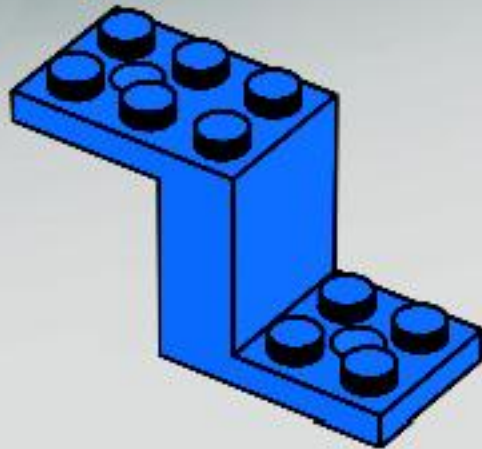
8495



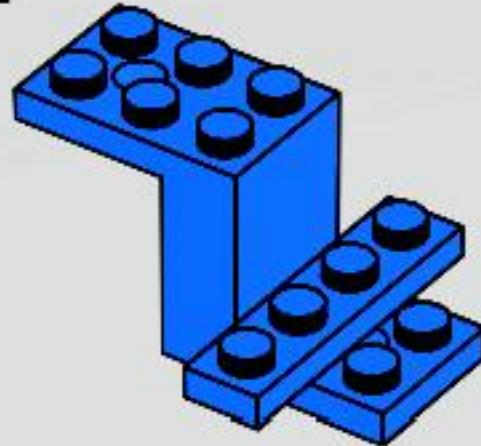
2



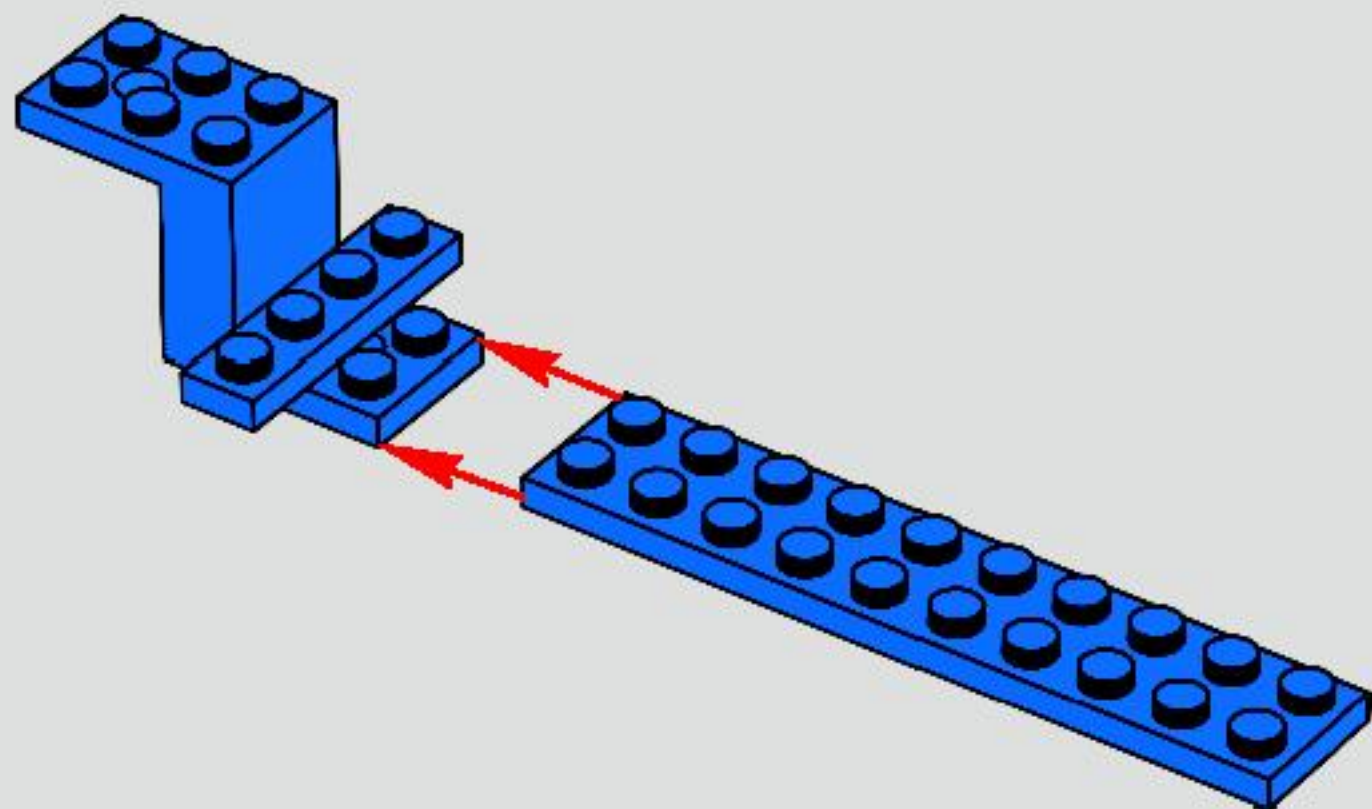
1



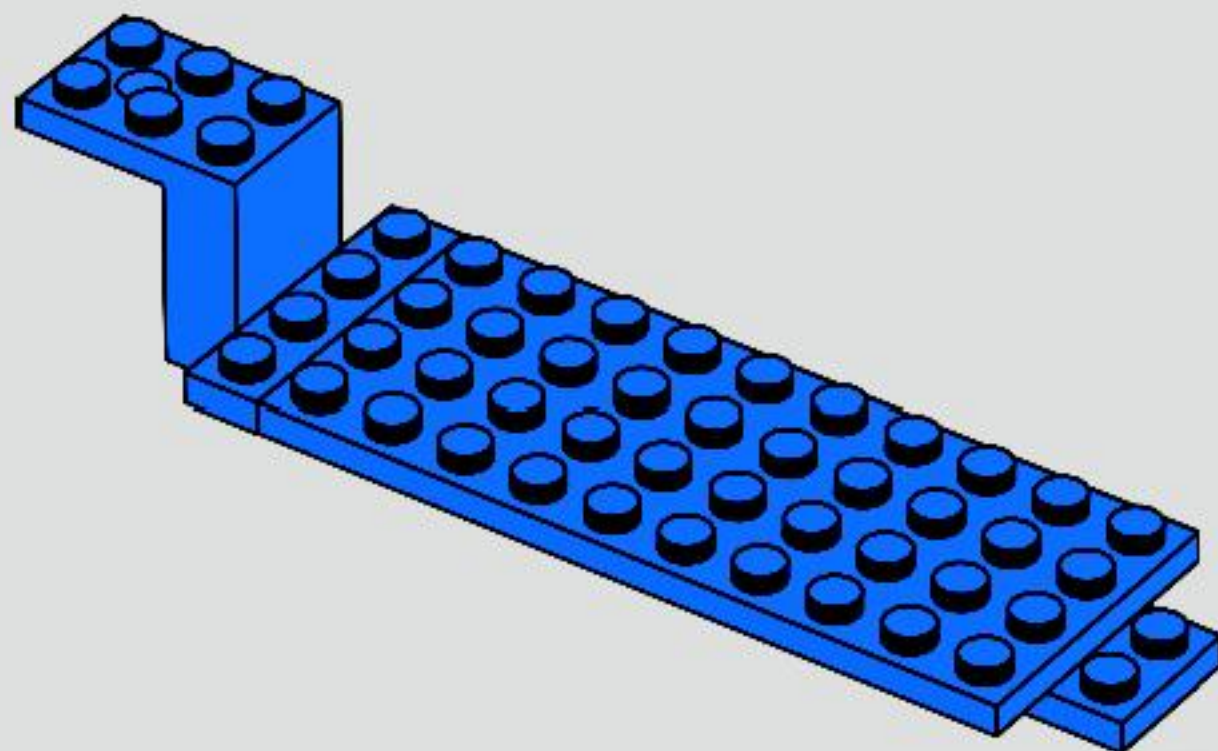
2



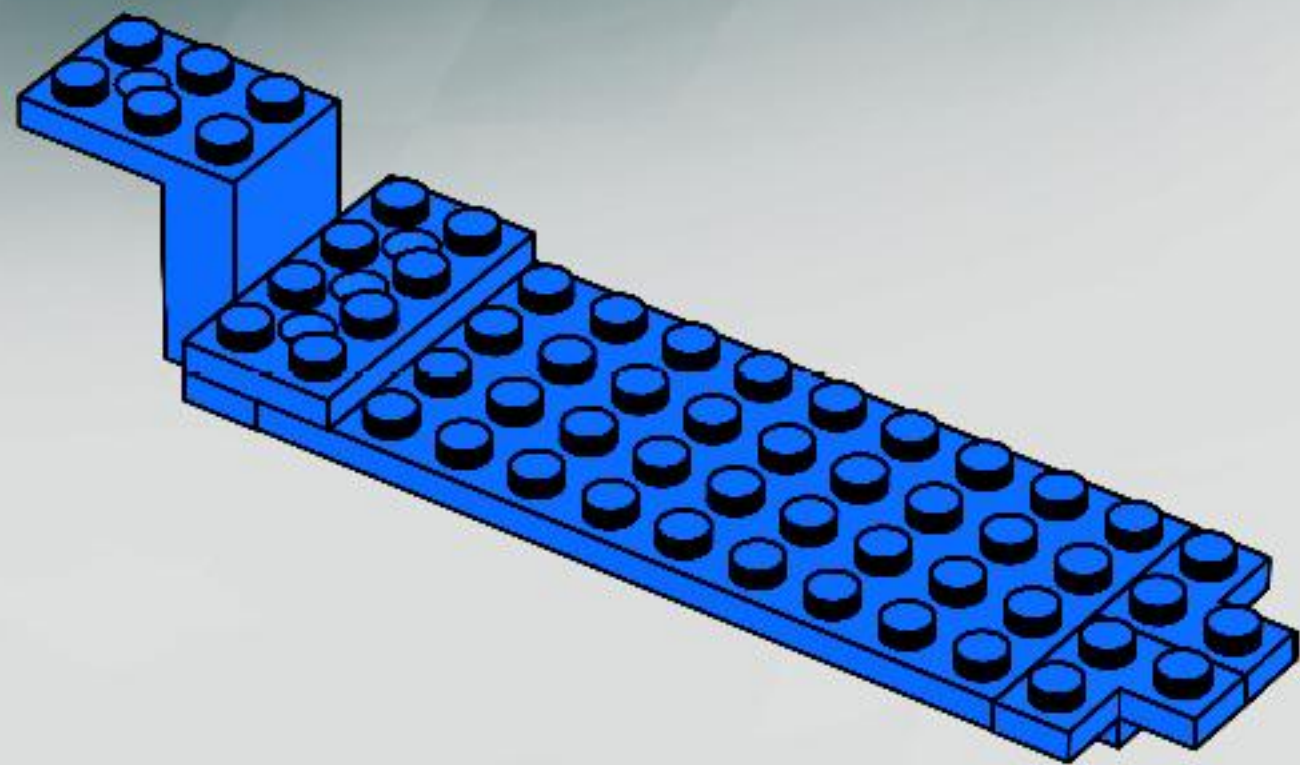
3



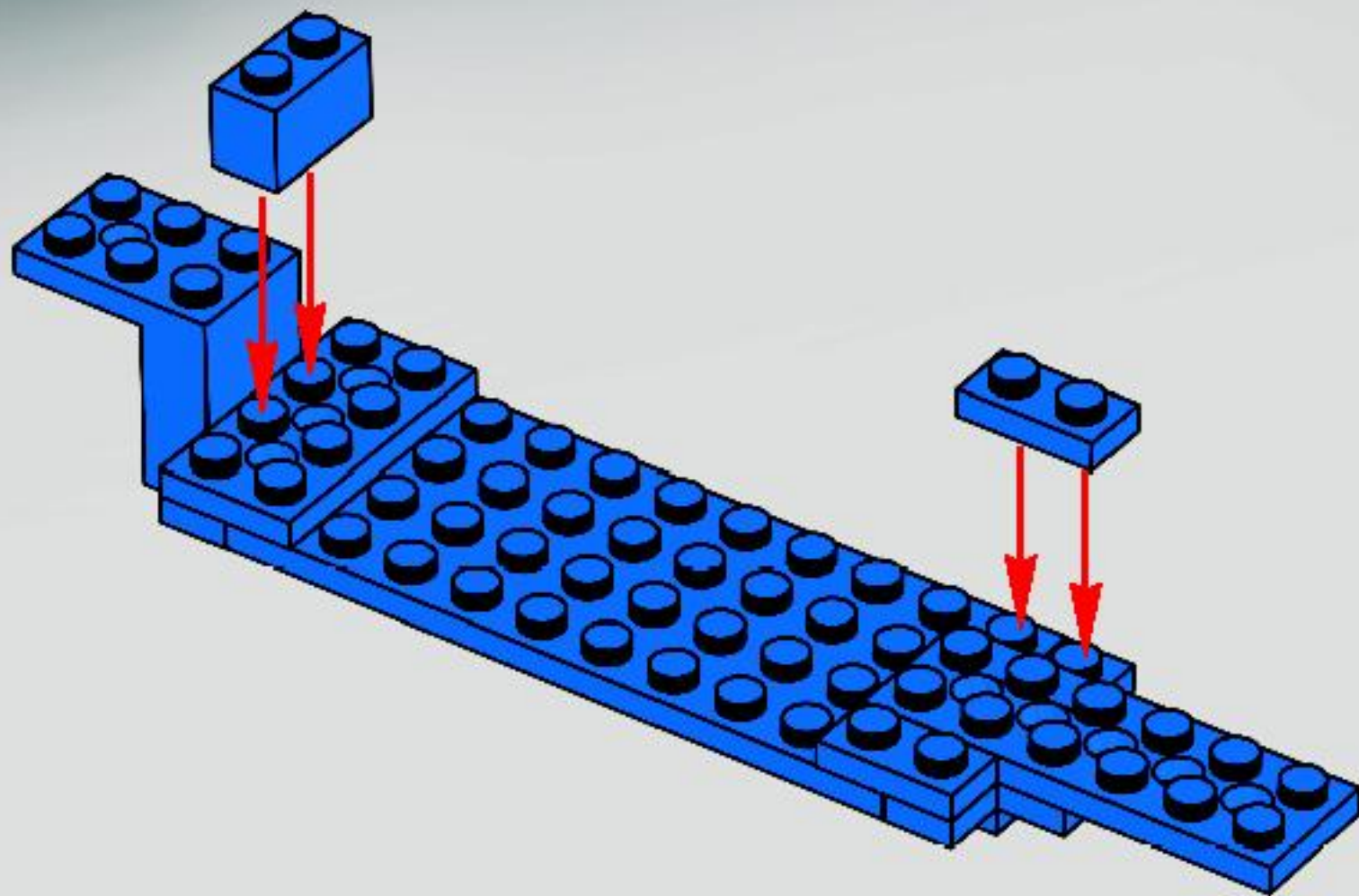
4



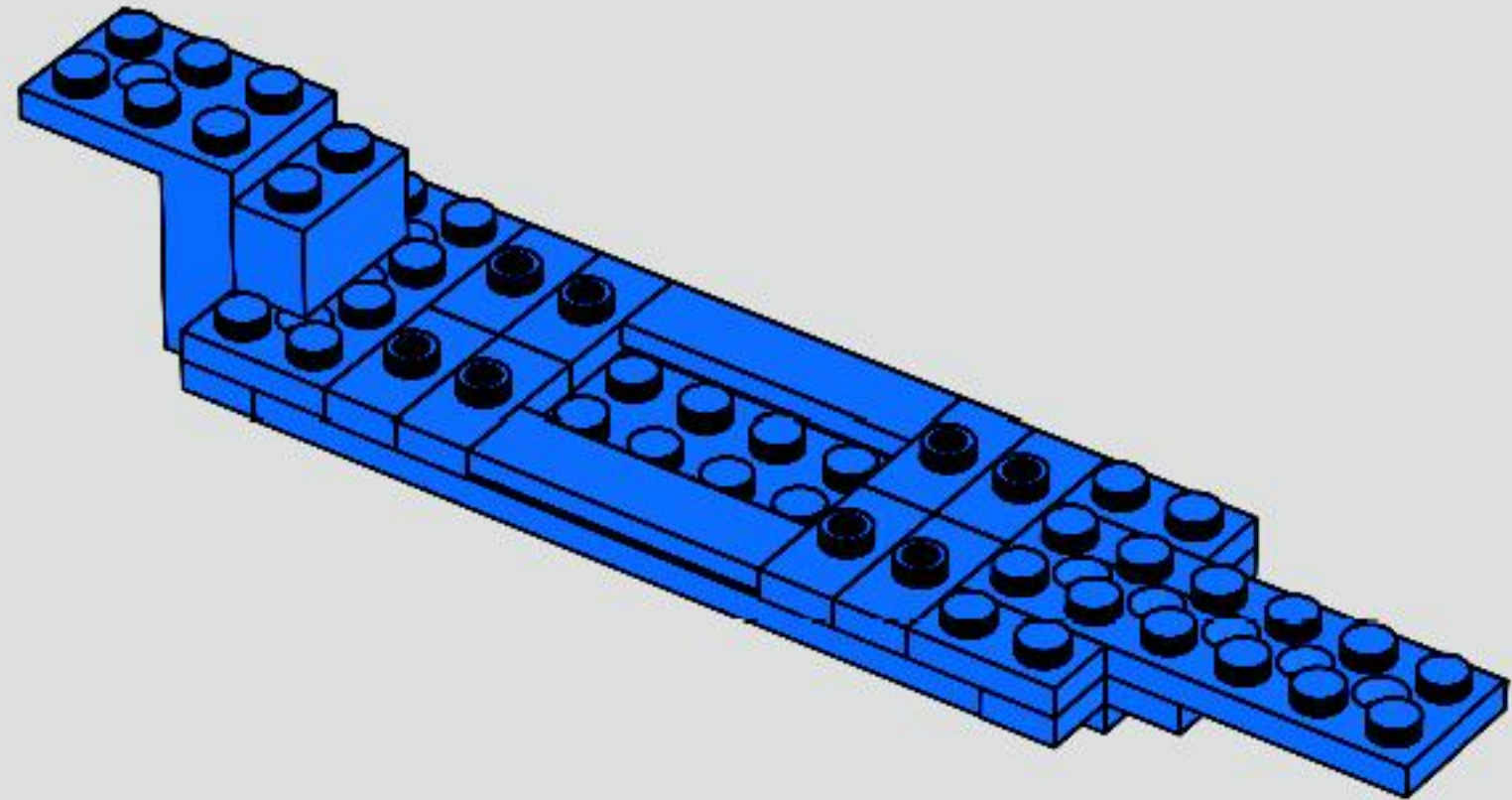
5



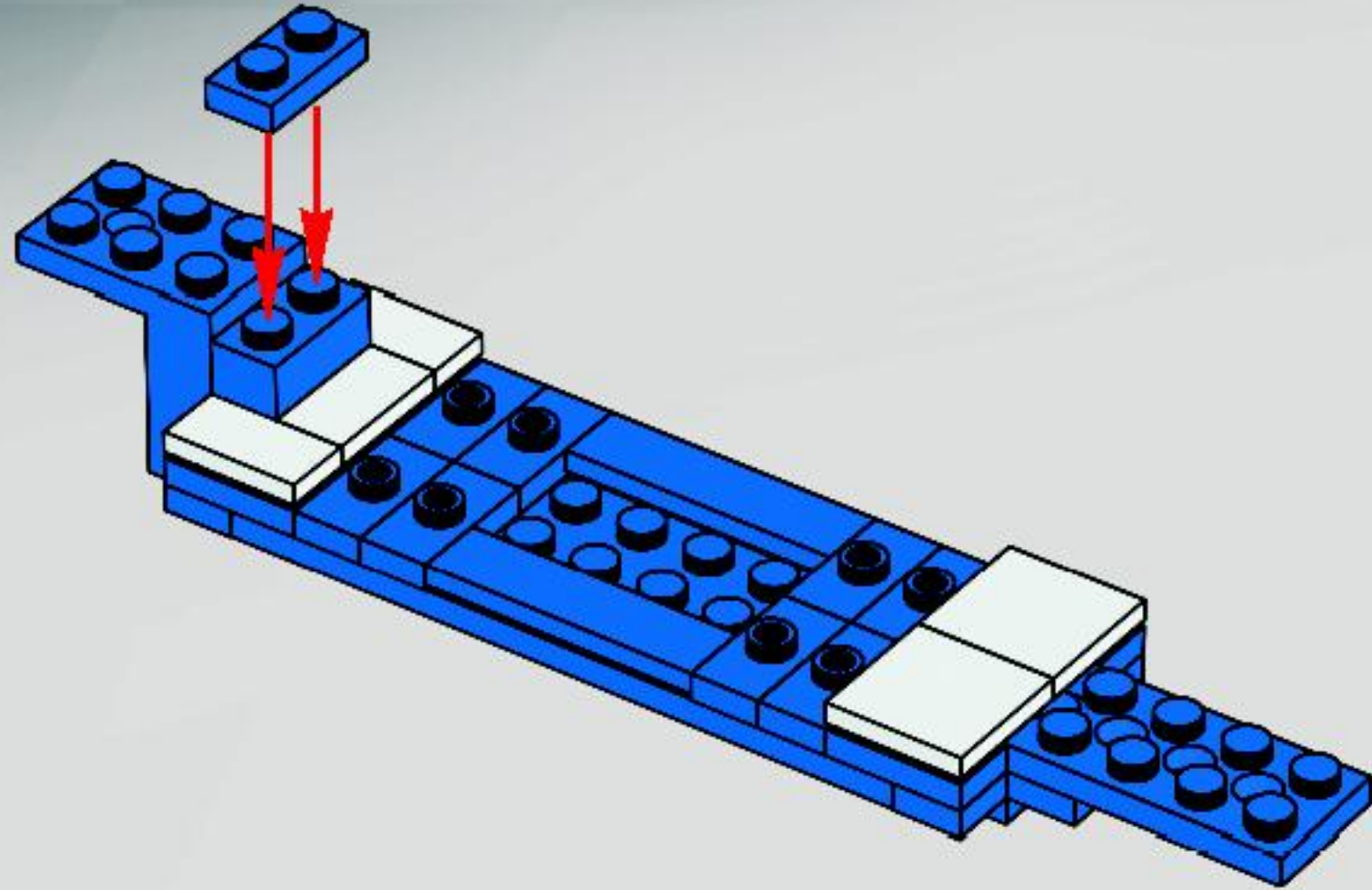
6



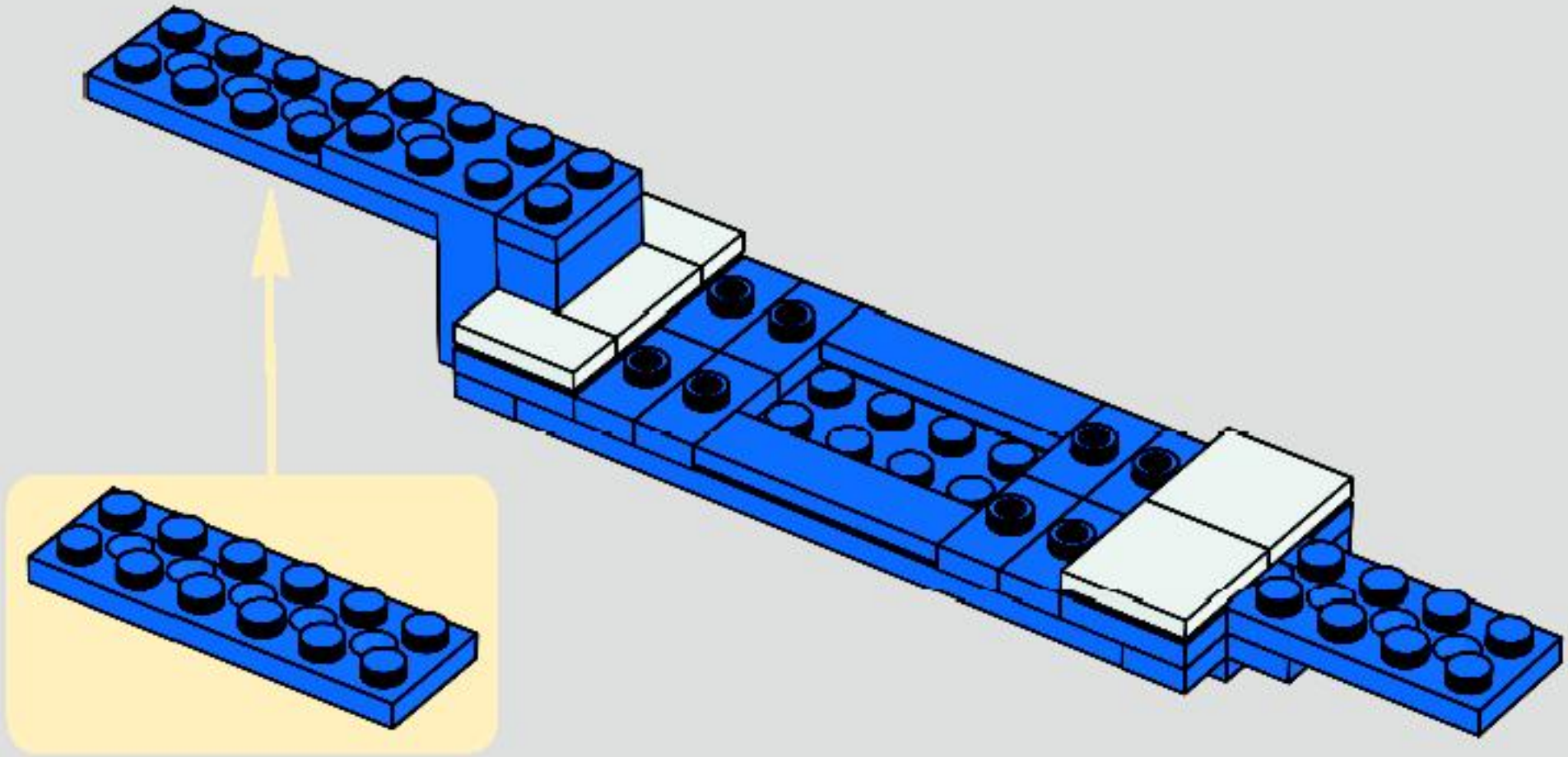
7



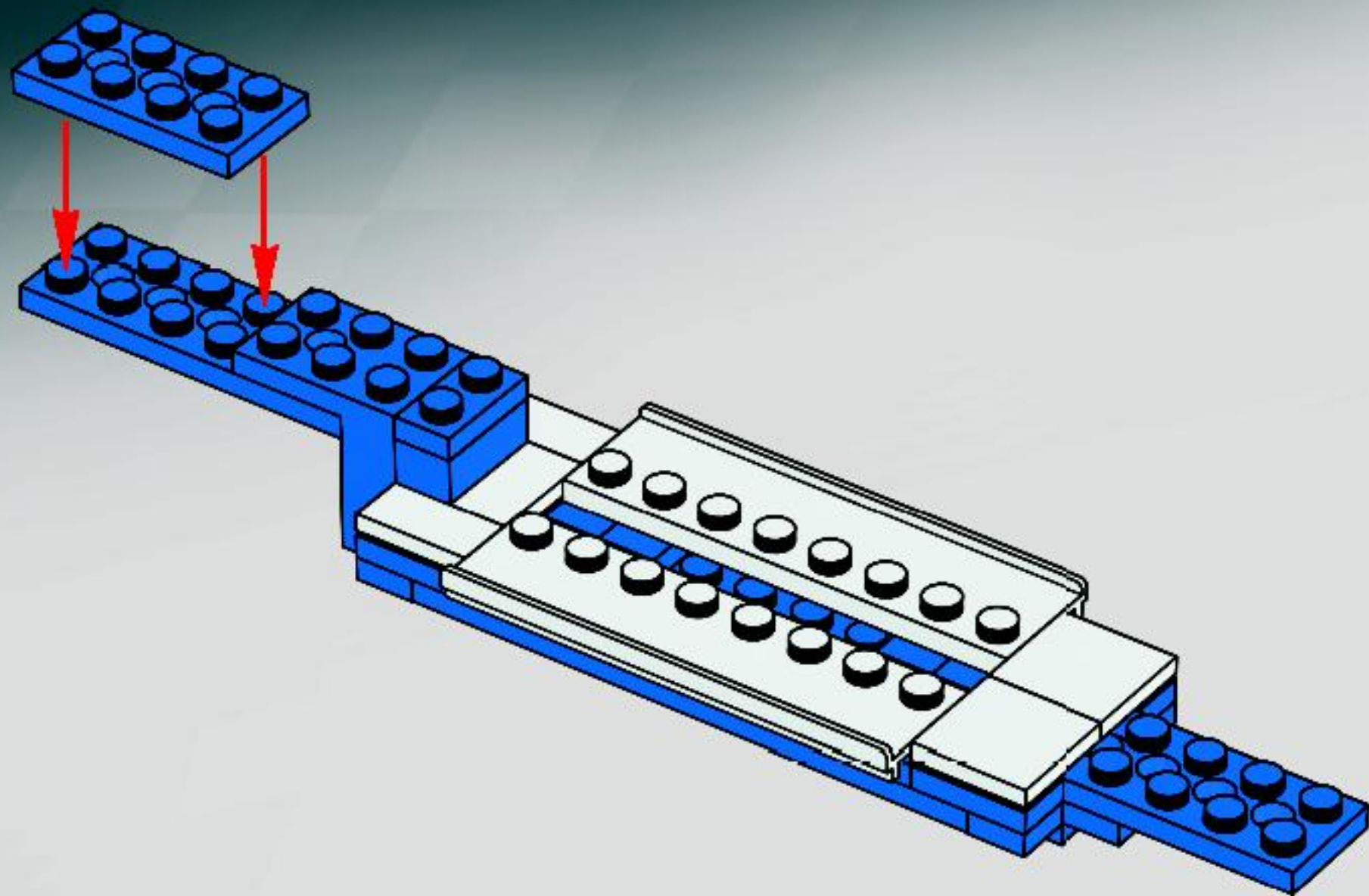
8



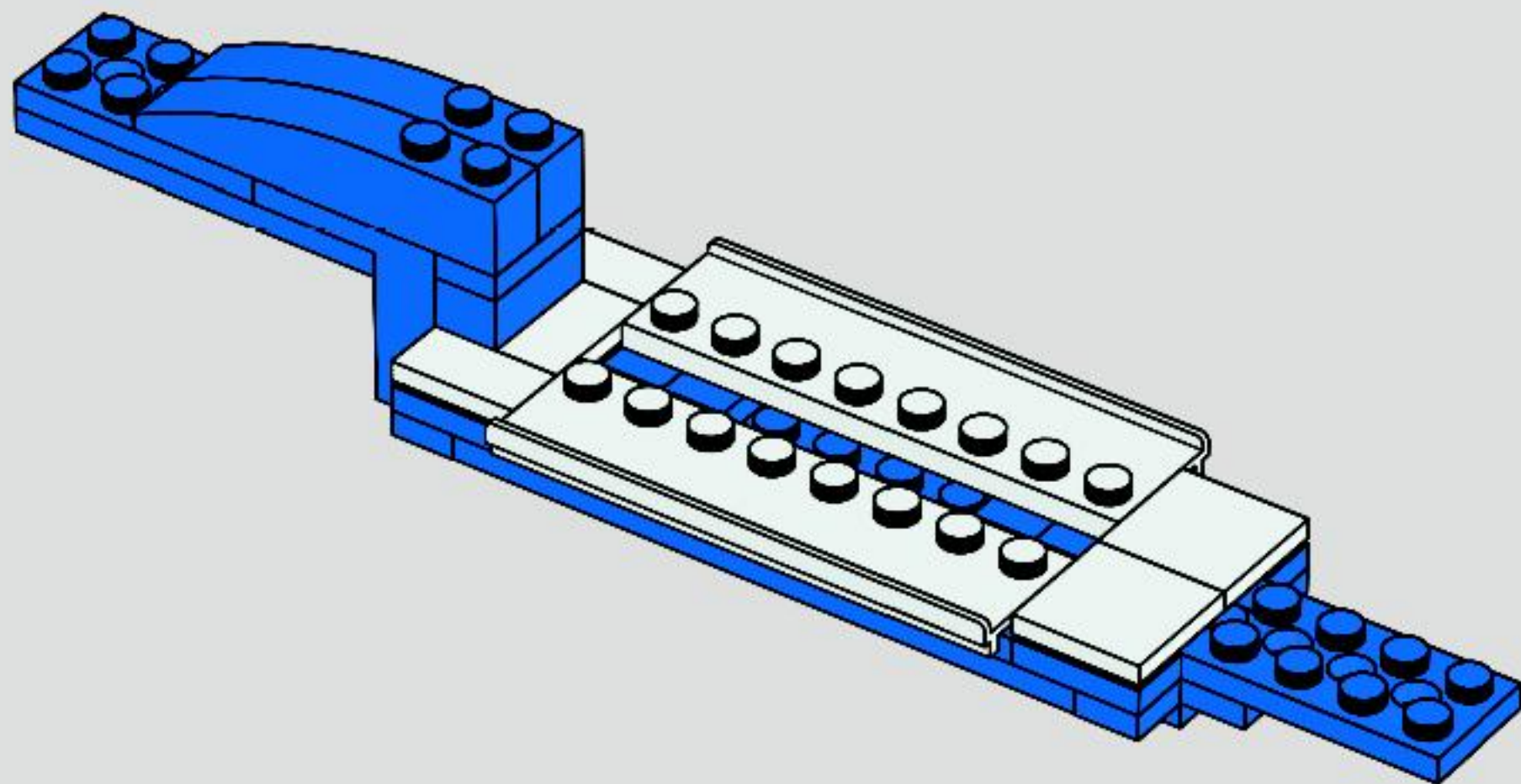
9



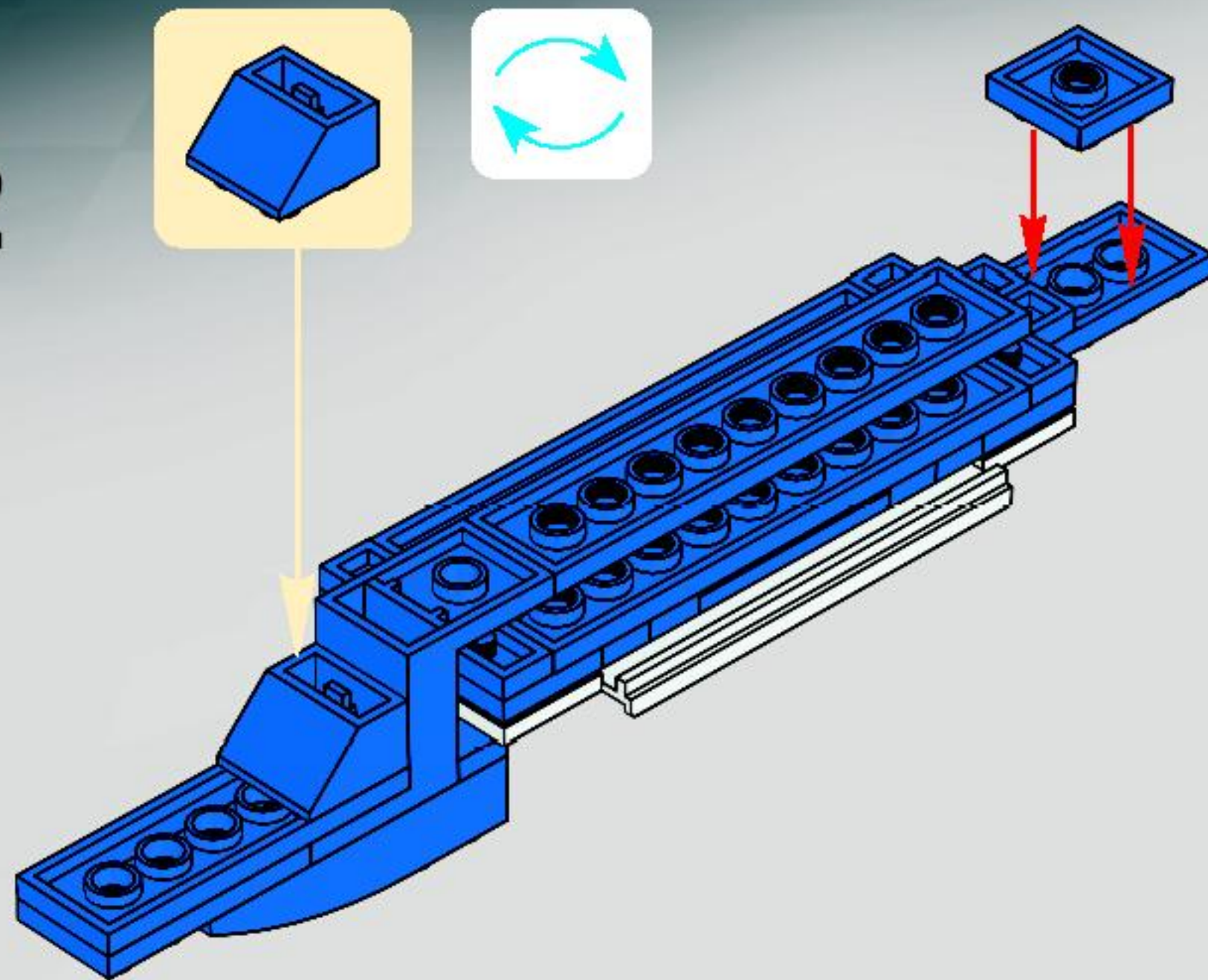
10



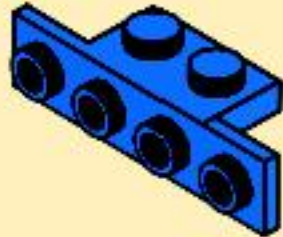
11



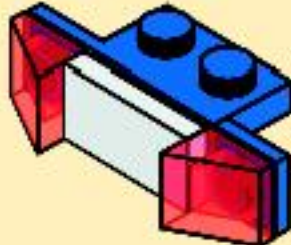
12



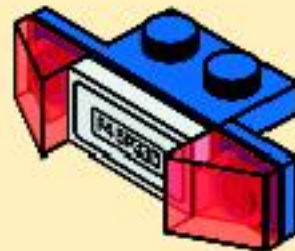
1



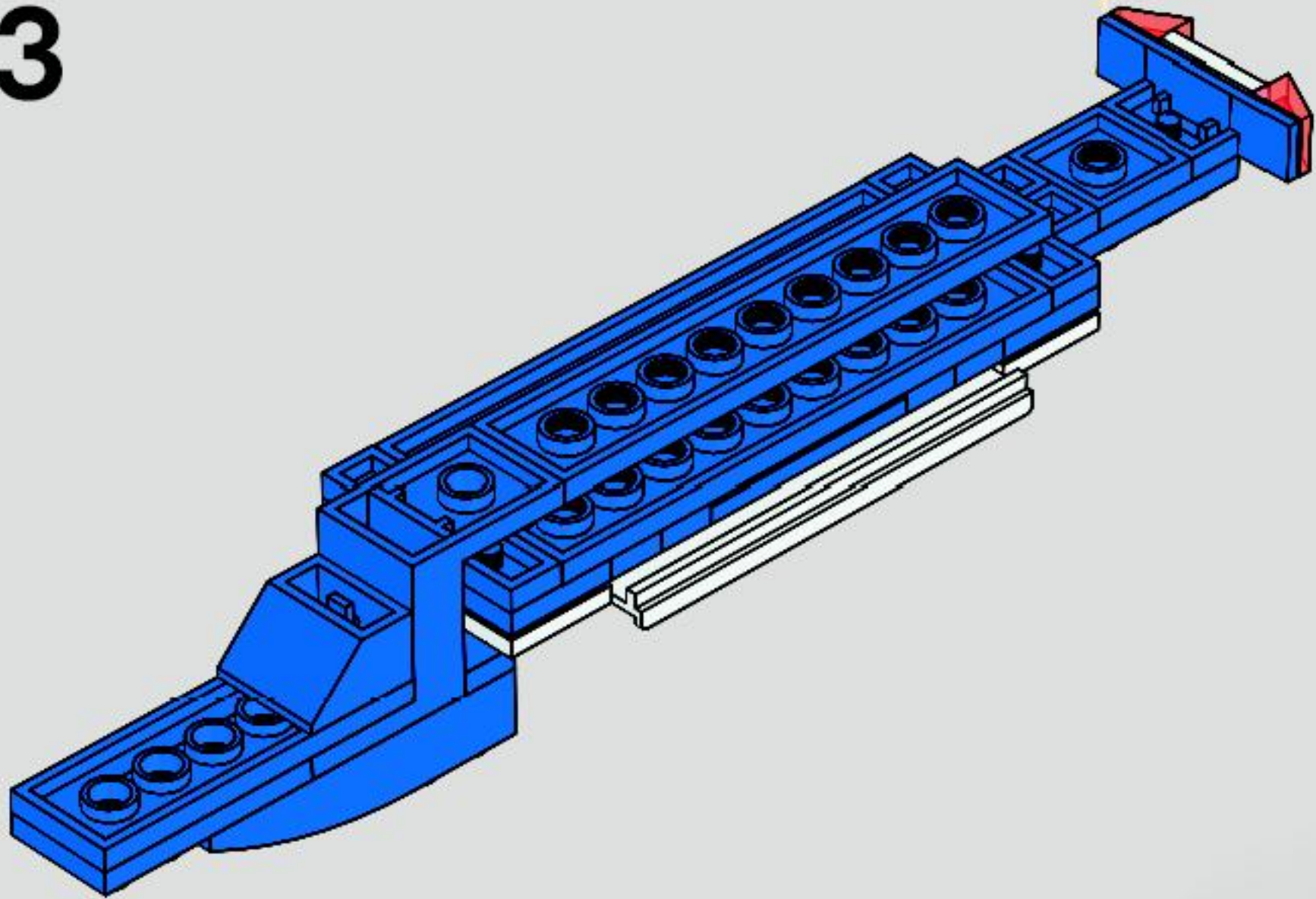
2



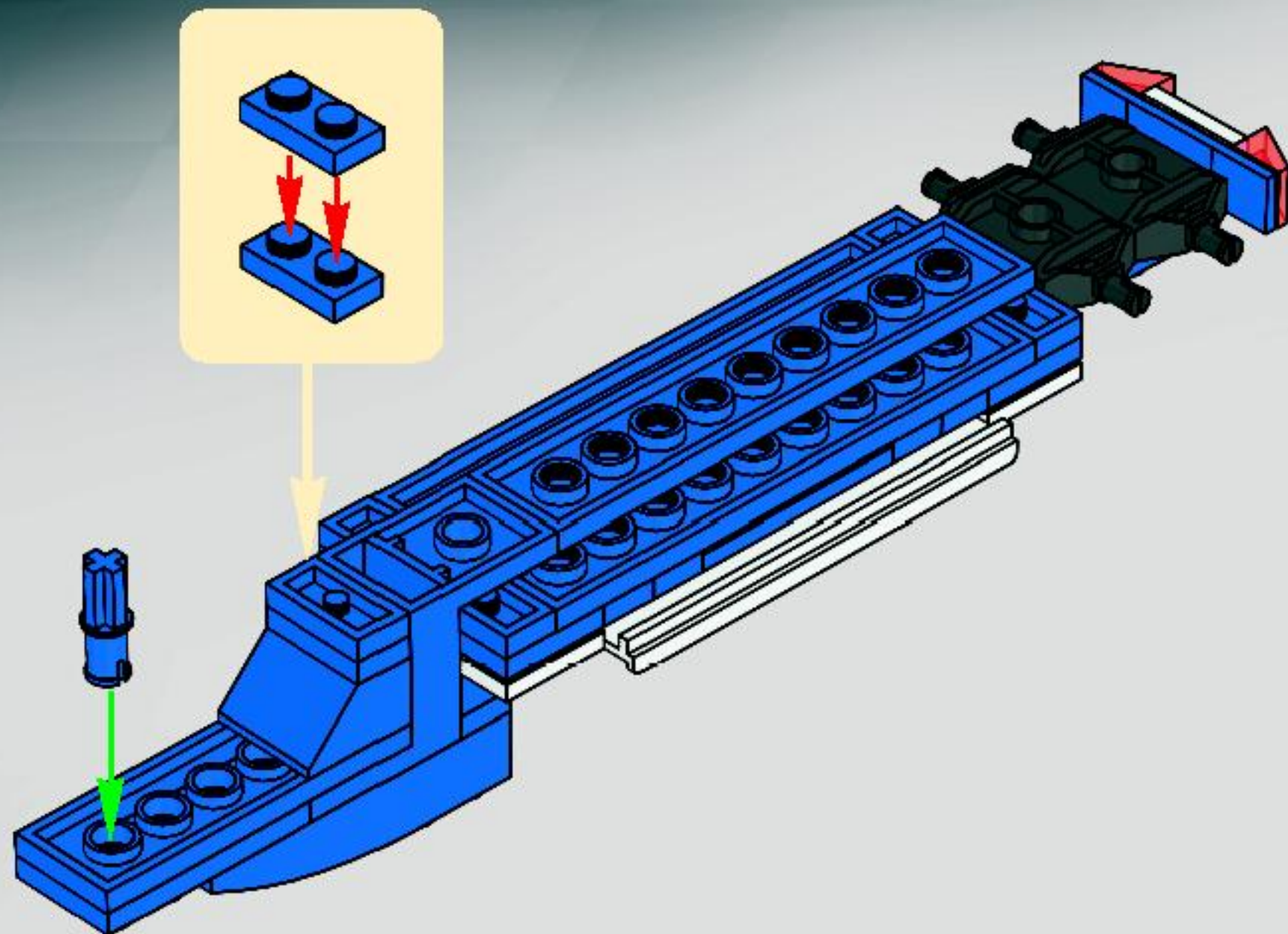
3



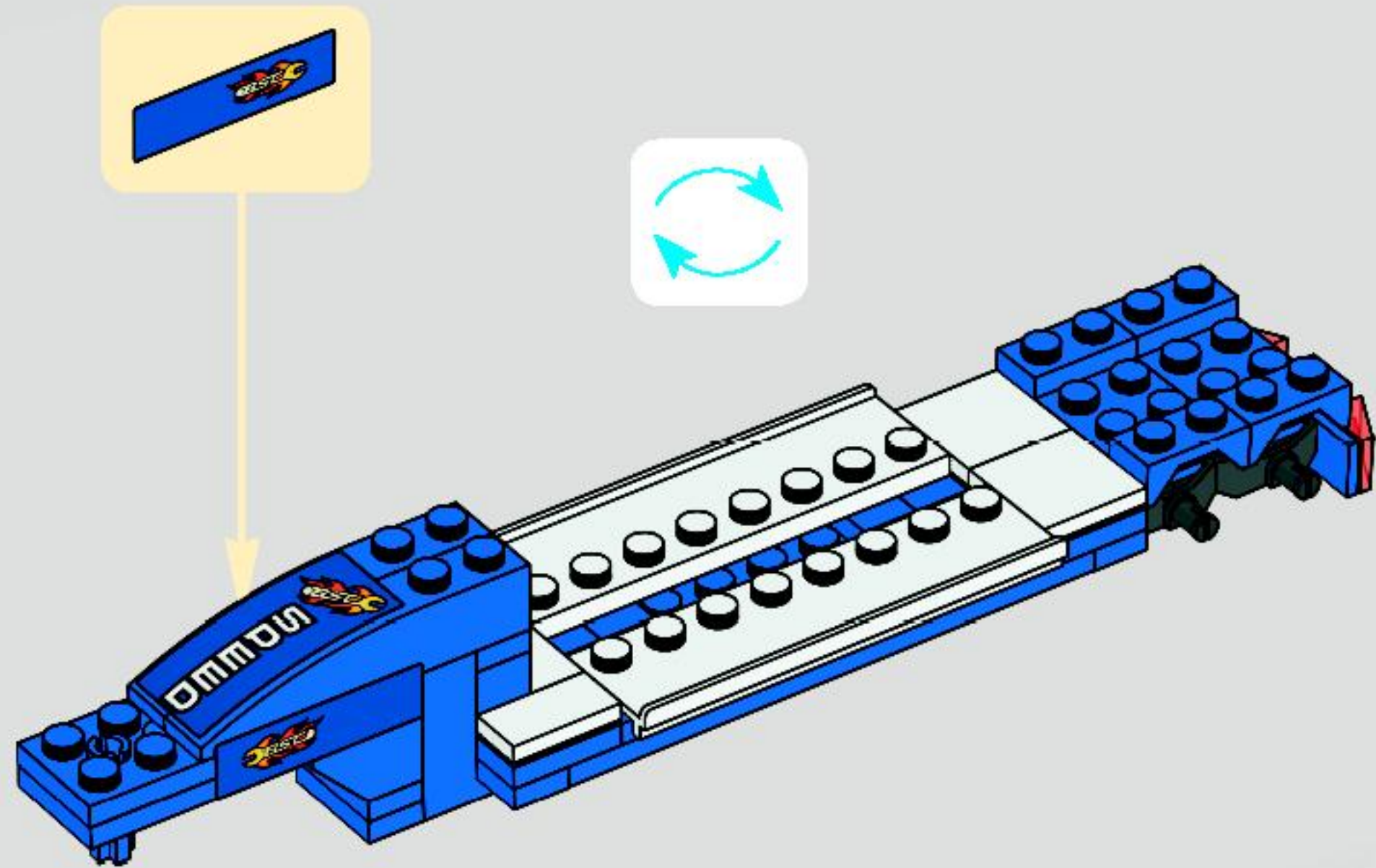
13



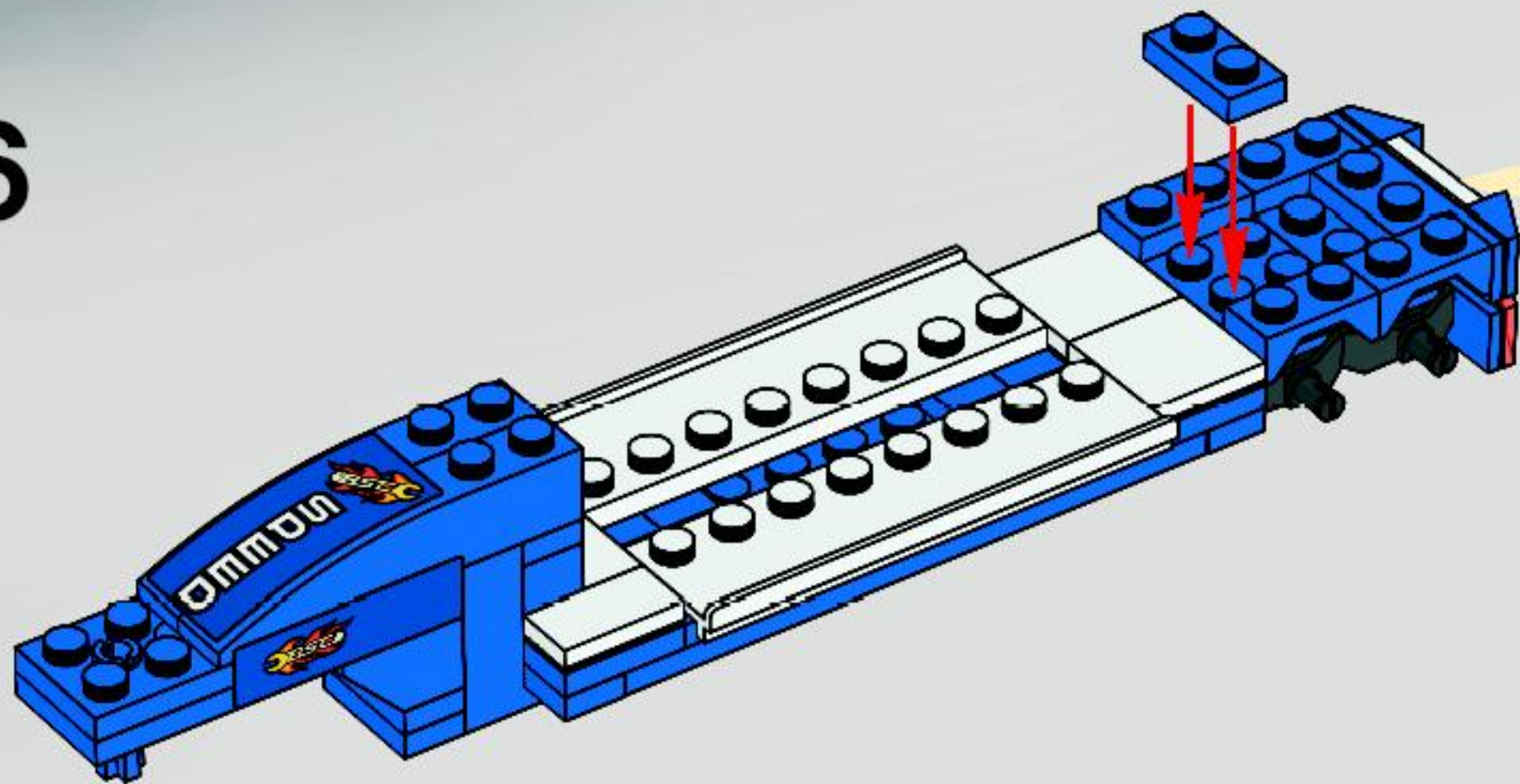
14



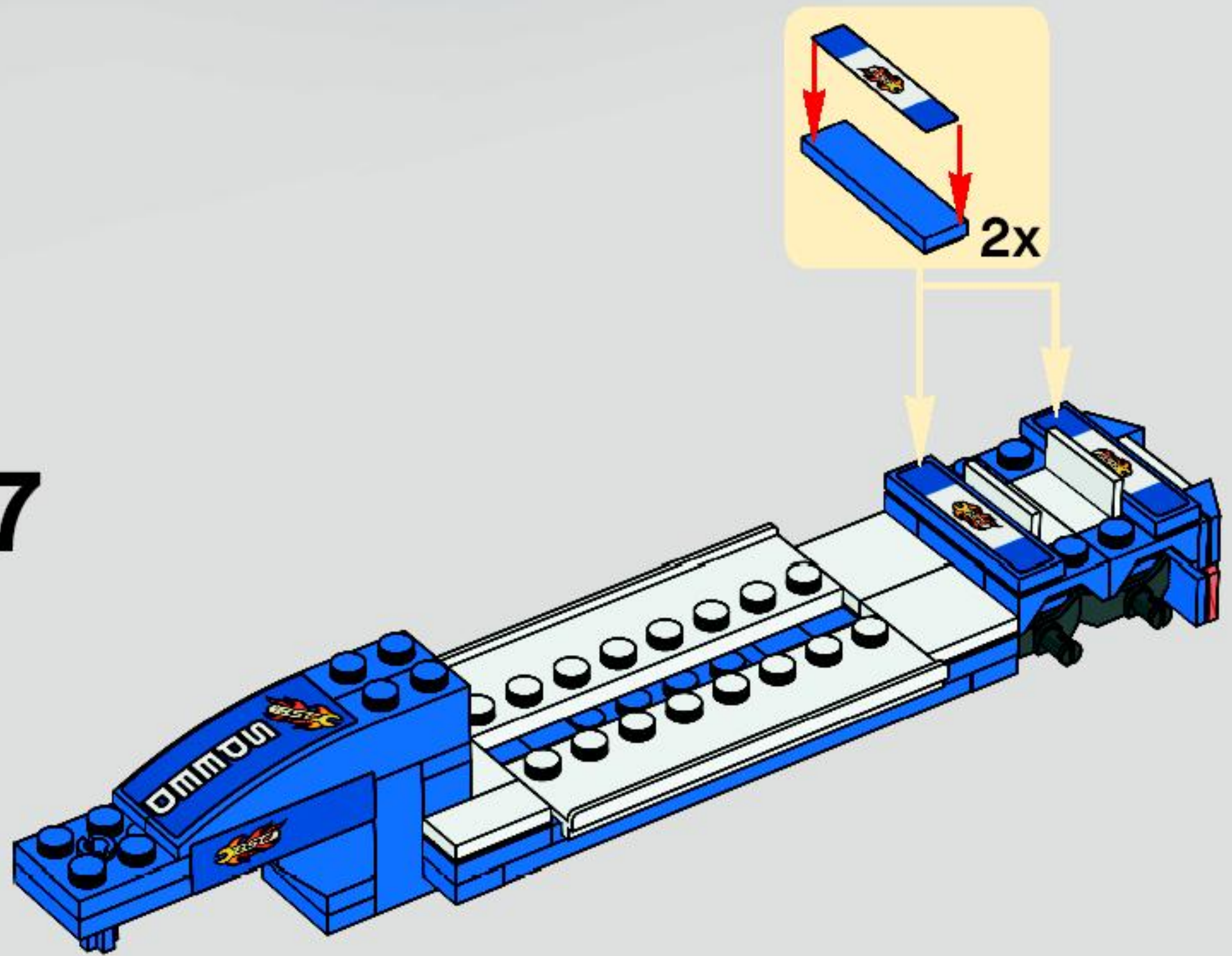
15



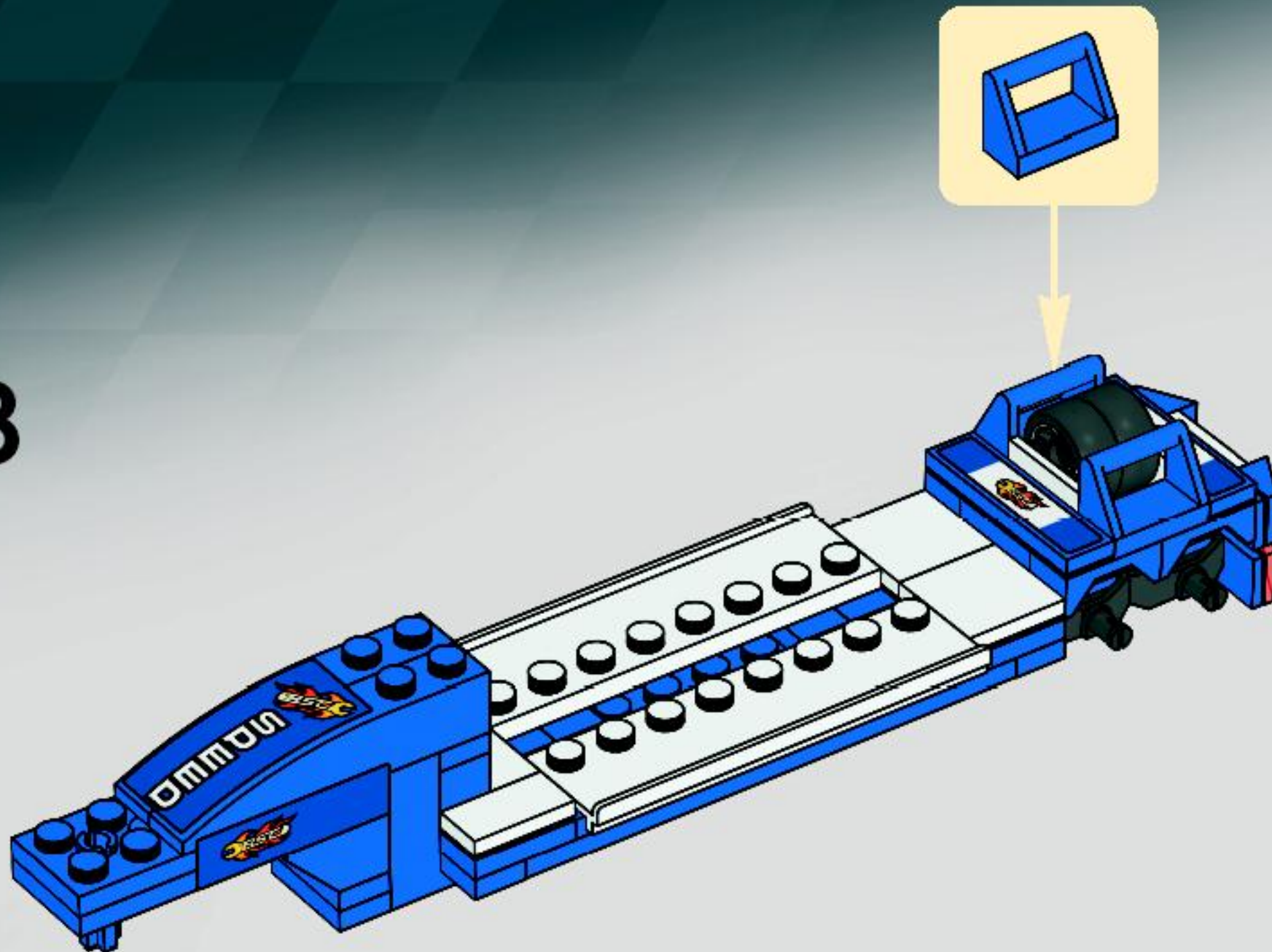
16



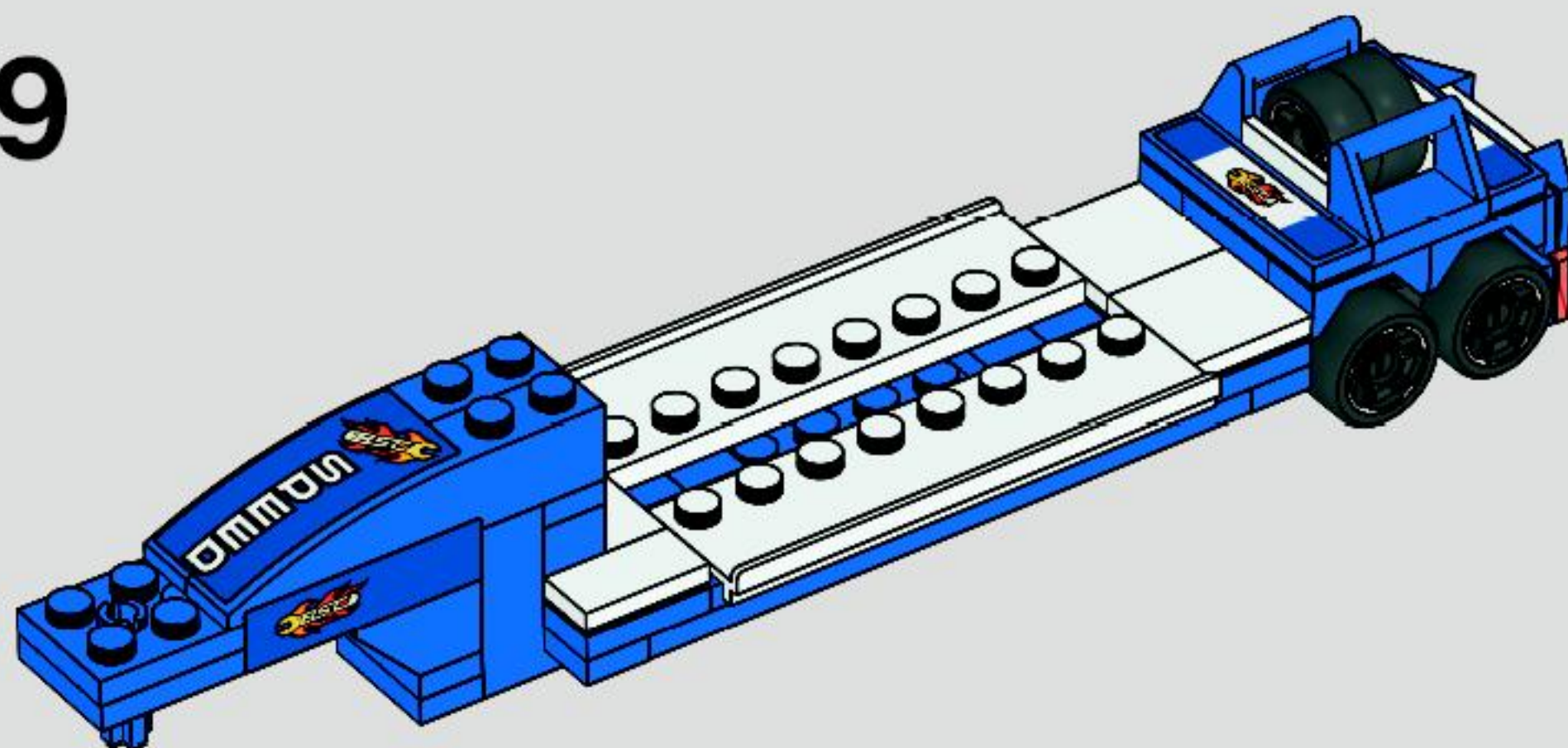
17



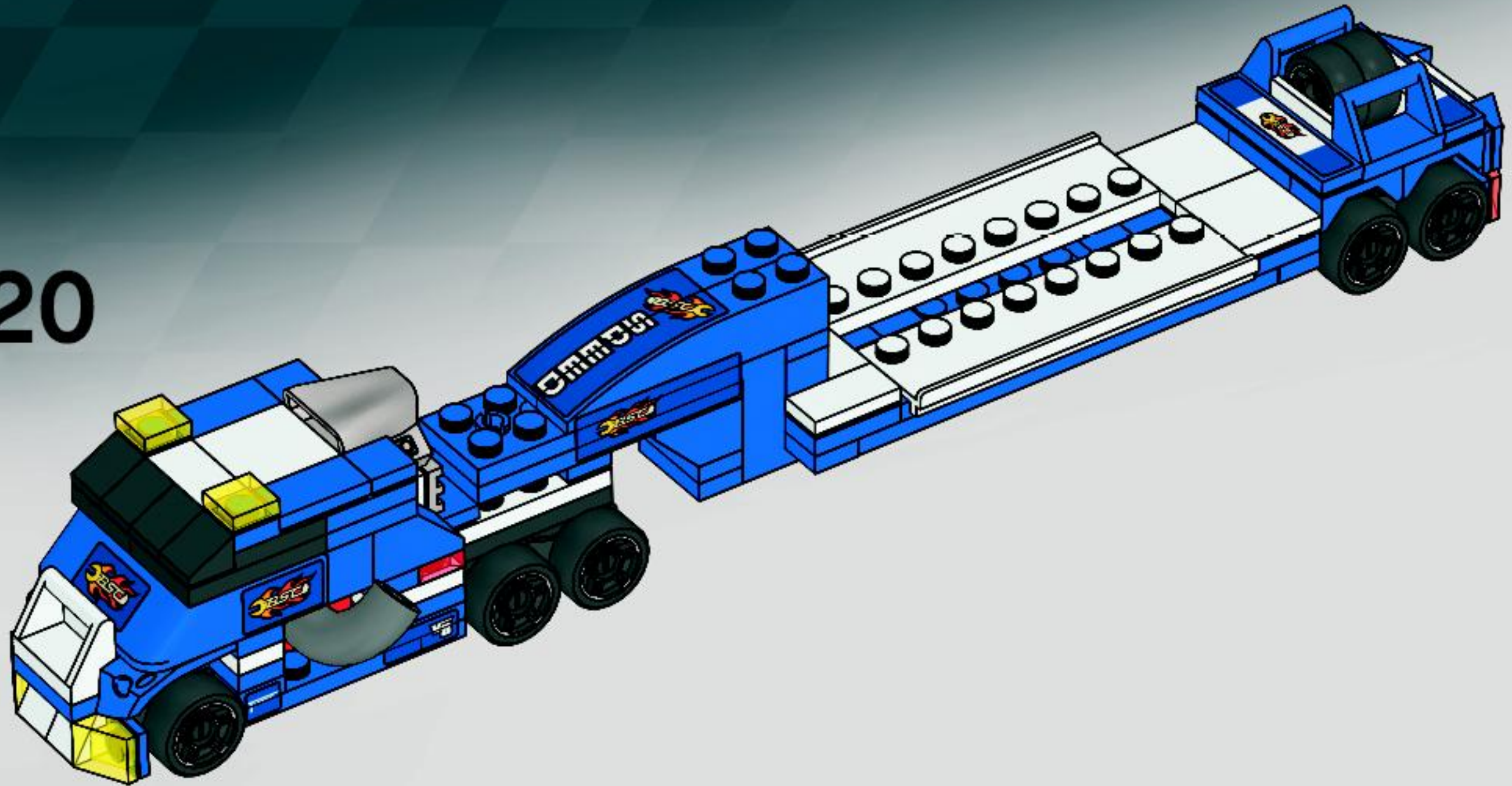
18



19



20





RACERS





5x
4282744



2x
4243815



1x
306924



3x
302124



17x
615726



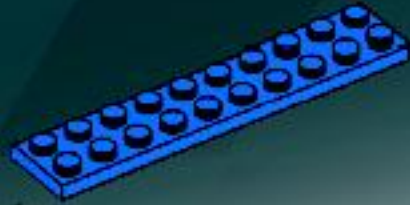
2x
243226



4x
302326



1x
366023



1x
383223



1x
243124



3x
302024



1x
300426



4x
306926



3x
4504187



3x
4527365



1x
303023



4x
408124



1x
4283123



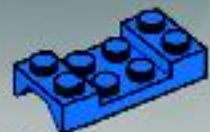
2x
301026



10x
243126



2x
379426



2x
4500520



2x
4163917



1x
378824



2x
3003944



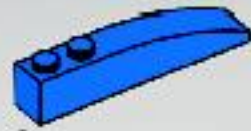
1x
4200031



1x
4140303



1x
4225201



2x
4160391



4x
4113854



1x
302324



2x
4260942



2x
300126



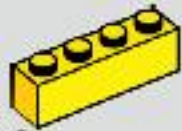
2x
4195378



1x
4107761



1x
4527369



2x
301024



2x
4140587



3x
3005744



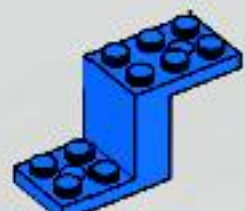
2x
300126



4x
255526



1x
362326



1x
427625



2x
243224



2x
371024



1x
4277932



4x
4181144



1x
4218581



5x
371026



4x
242024



1x
302224



3x
4282746



2x
4251161



14x
4504382



4x
302226

6x
302126

4x
4508215

2x
4243819

3x
243128

2x
4211044

1x
4211063



7x
302026

8x
4514560



2x
4107762



2x
4210884

1x
4211134

2x
366026

4x
4515290

1x
303226

1x
371028



1x
4211133

1x
4211096

2x
4298011

1x
329726



2x
302228

1x
4180811

4x
4211043

2x
3005740

1x
4525236

6x
379526

8x
4211764

1x
379528

2x
4211052

6x
4211065

5x
4249040

1x
4213398

2x
3200126

4x
4211765

2x
4243821

4x
4211053

1x
4211002

2x
4248345

24x
4248538

1x
383226

1x
4211837

2x
4244573

2x
4210694

1x
4210997

16x
4249039

20x
4246901

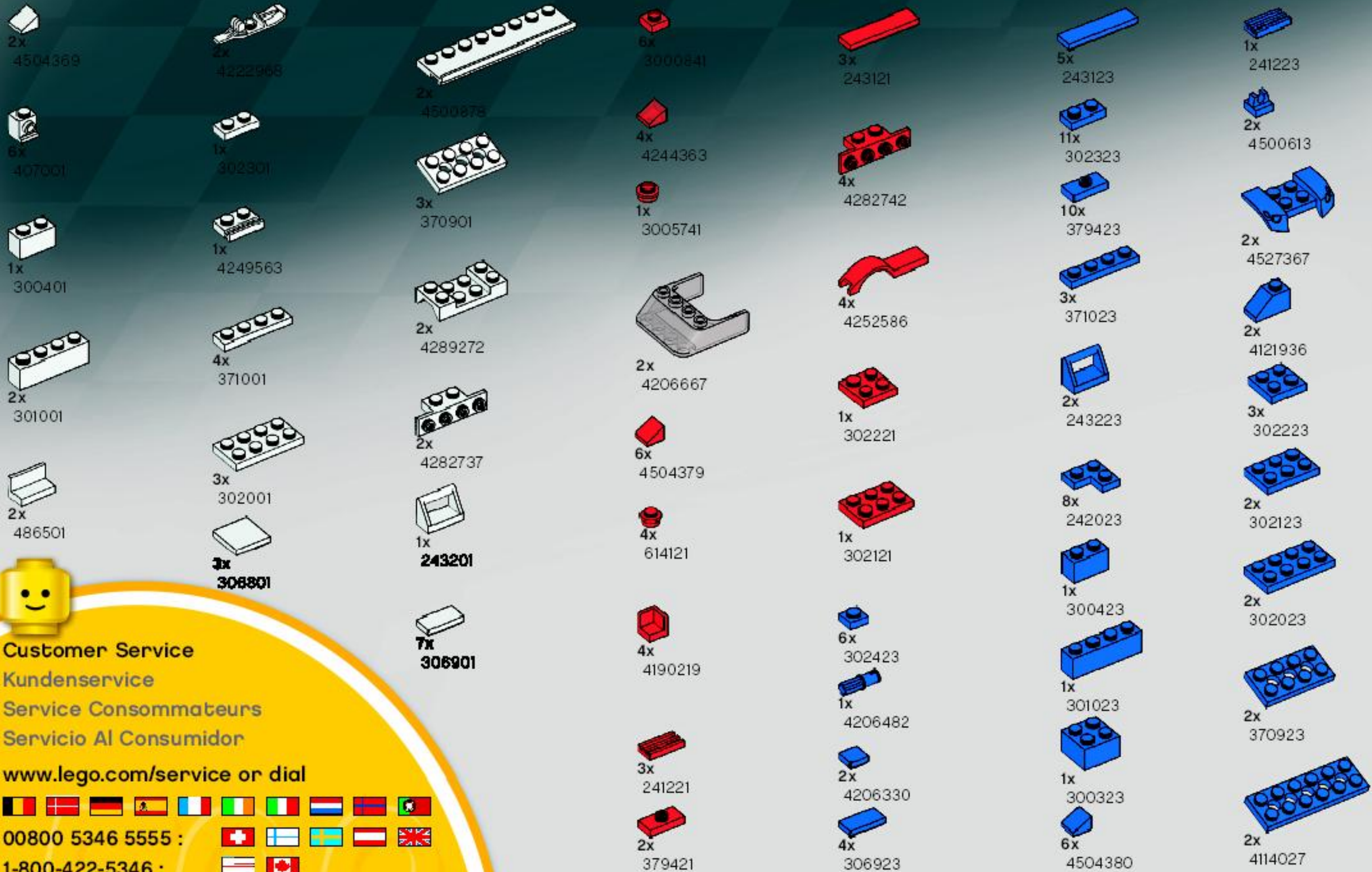
2x
306928

1x
3005748

1x
4210469

2x
4211069

2x
71076



Customer Service

Kundenservice

Service Consommateurs

Servicio Al Consumidor

www.lego.com/service or dial



00800 5346 5555 :



1-800-422-5346 :





club™



FREE LEGO Magazine • GRATUIT • GRATIS LEGO Magazin



Join Today!

**Abonne-toi
dès aujourd'hui!**

Meld je nu aan!

Jetzt anmelden!

BG28 US & Canada only
1-866-534-6258 / 1-877-518-5346

(en Français)



B108U

B108C

00800 5346 5555

www.LEGOclub.com



**VISIT THE WORLD'S
BIGGEST LEGO® SHOP!
www.LEGOshop.com**



BATMAN™

THE VIDEOGAME

COMING SEPTEMBER 2008



©2008 The LEGO Group. 4537375

www.LEGO.com



PlayStation 2

PLAYSTATION 3

NINTENDO DS™



Games for Windows



XBOX 360 LIVE

Wii



games



www.pegi.info



Visit www.esrb.org for rating information

LEGO, the LEGO logo and the Minifigures logo are trademarks of the LEGO Group. © 2008 The LEGO Group. All Rights Reserved.

LEGO, THE LEGO BATMAN and all related characters and elements are trademarks of and © DC Comics. WB, DC, WB SHIELD, TM & © Warner Bros. © 2008 WB GAMES.

LEGO BATMAN THE VIDEOGAME Software © 2008 The LEGO Group. All Rights Reserved. PlayStation 2 PLAYSTATION 3 PS Family logo and PSP logo are registered trademarks of Sony Computer Entertainment Inc. Microsoft Xbox logo may be registered trademark of Microsoft. Nintendo DS logo and the Wii logo are trademarks of Nintendo. Microsoft, Windows, the Windows Vista logo, Xbox, Xbox LIVE and the Xbox logo are trademarks of the Microsoft group of companies, and Games for Windows and the Windows Vista Start button logo are used under license from Microsoft. The ratings logo is a trademark of the Entertainment Software Association. All other trademarks and logos are the property of their respective owners. All rights reserved.