



education

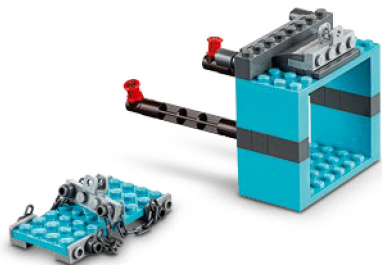


FIRST
LEGO
LEAGUE JR.

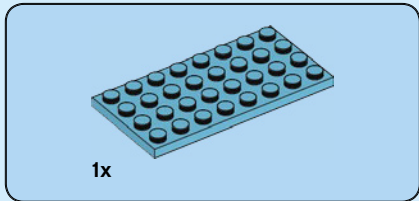
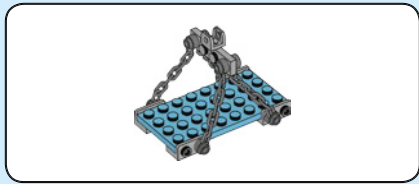
45810



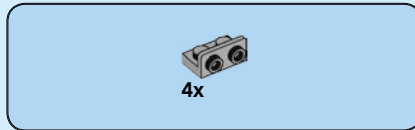
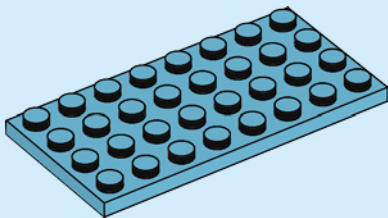
 **BOOMTOWN**
BUILD



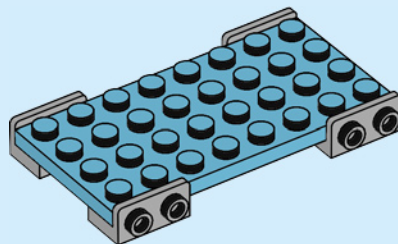
WARNING: CHOKING HAZARD.
Toy contains small parts and a small ball.
Not for children under 3 years.



1



2



AVERTISSEMENT :

RISQUE D'ÉTOUFFEMENT.

Le jouet contient des petites pièces ainsi qu'une petite boule.

Il ne convient pas aux enfants de moins de 3 ans.

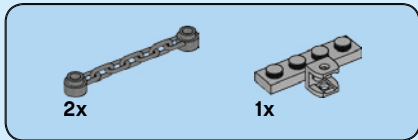


ADVERTENCIA:

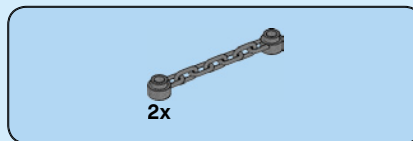
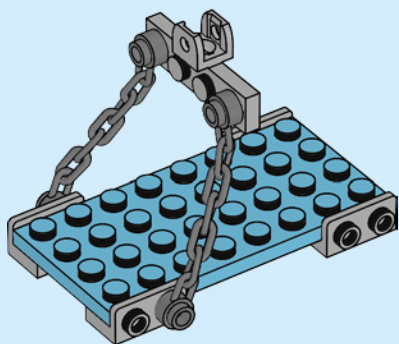
PELIGRO DE ASFIXIA.

Juguete que contiene partes pequeñas y una pelota pequeña.

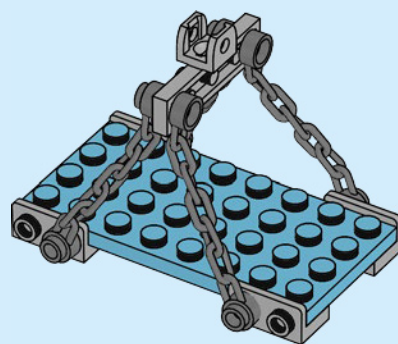
No recomendado para niños menores de 3 años.



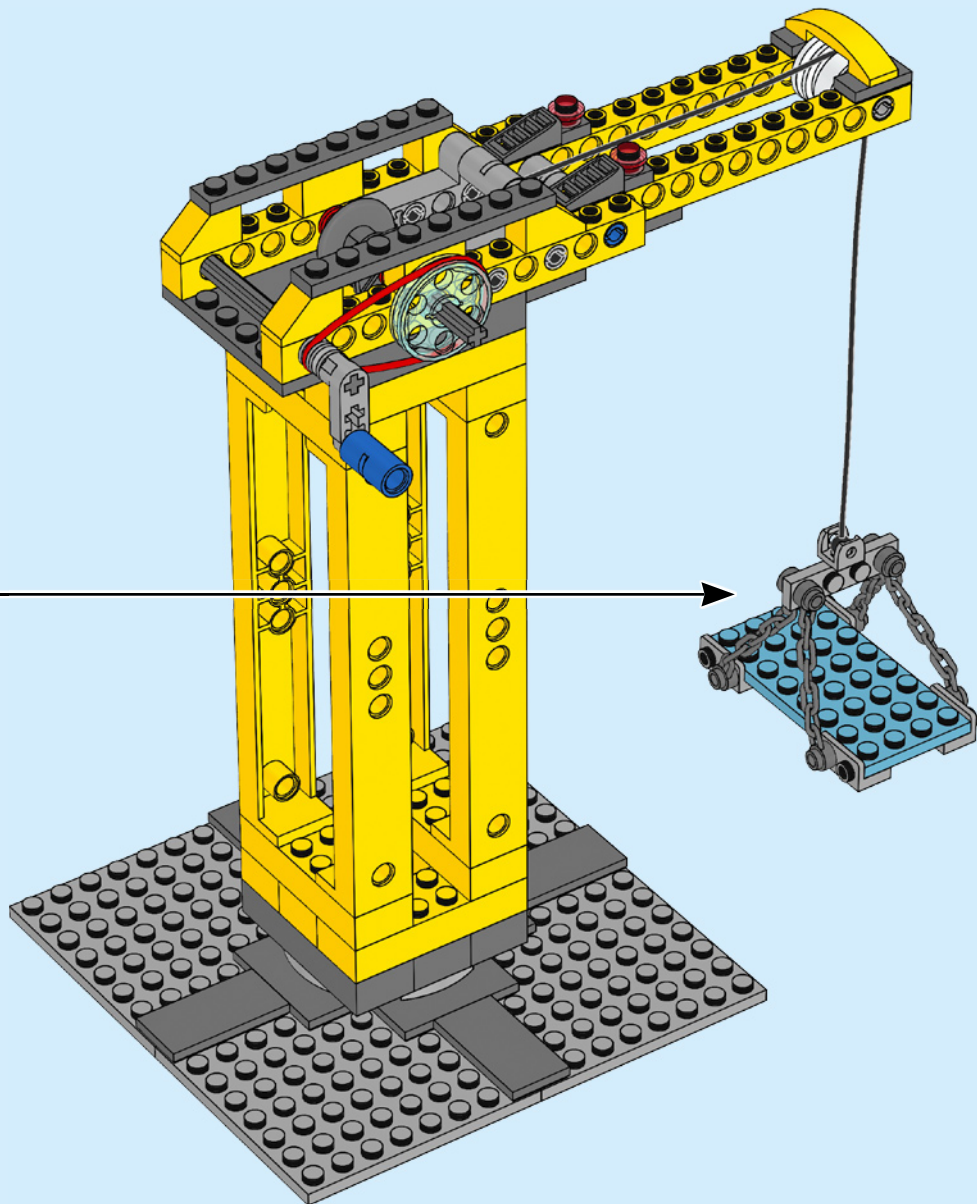
3



4

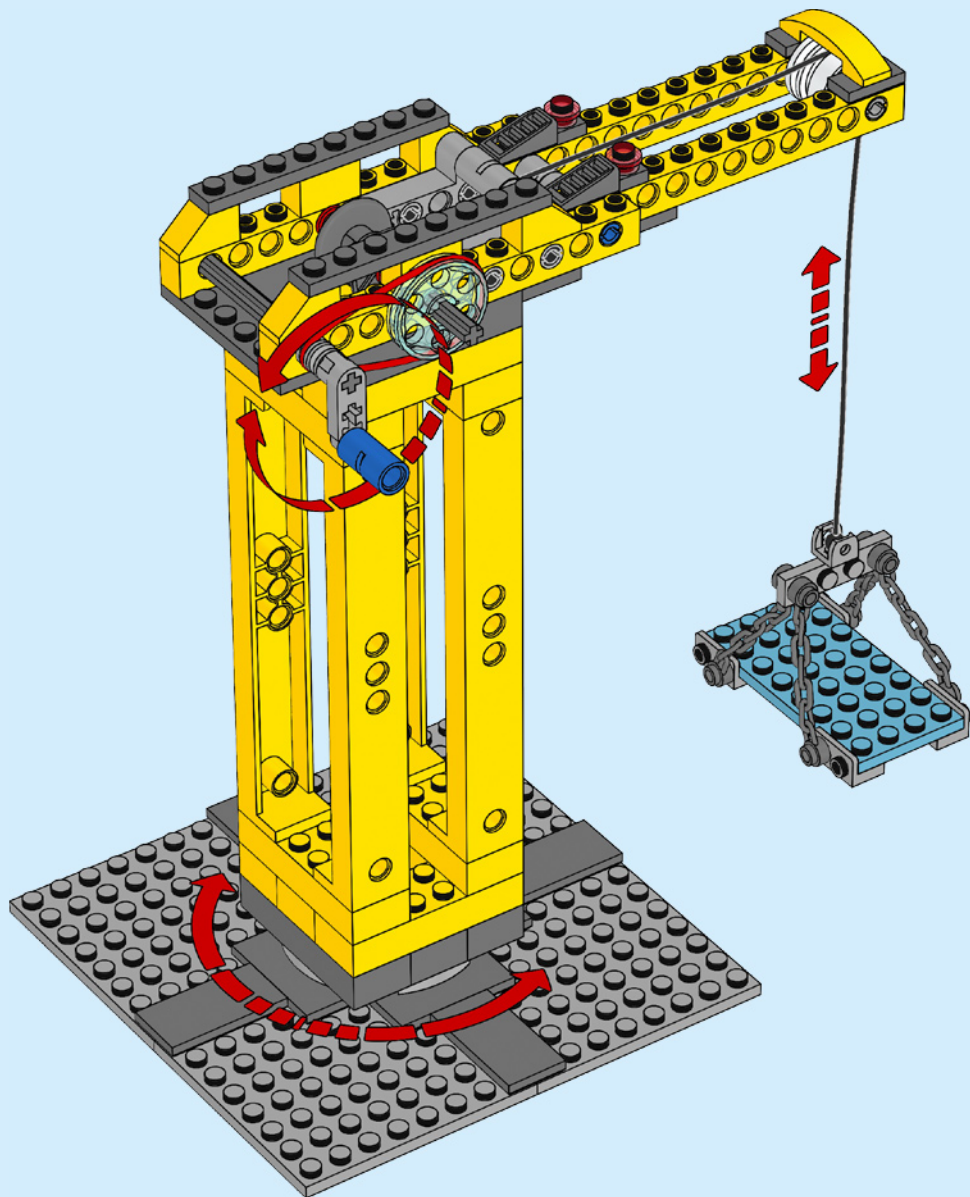


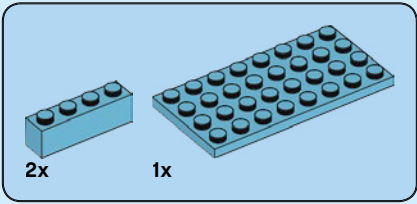
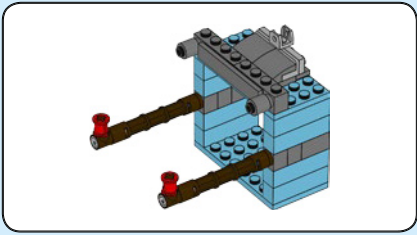
5



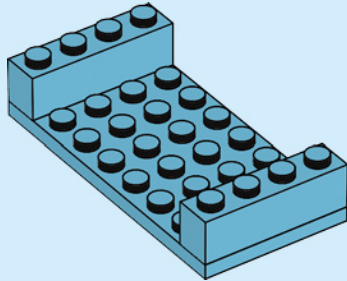
4

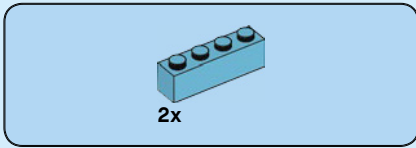
6



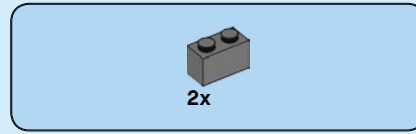
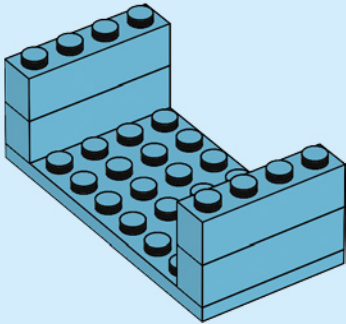


1

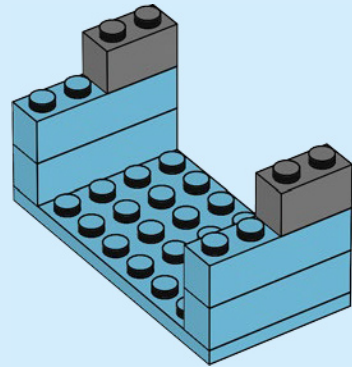




2

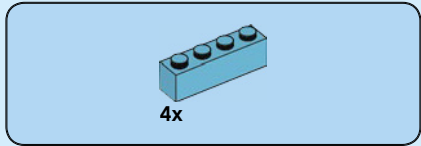
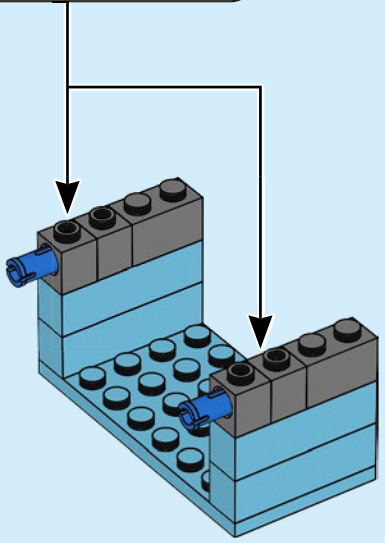
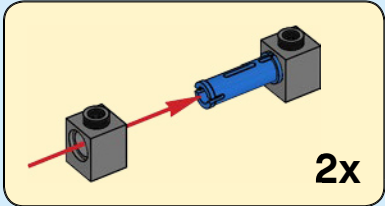


3

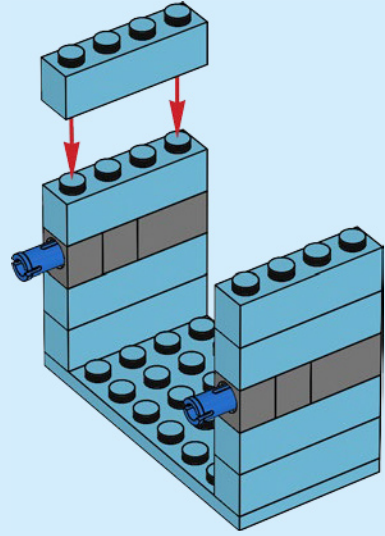


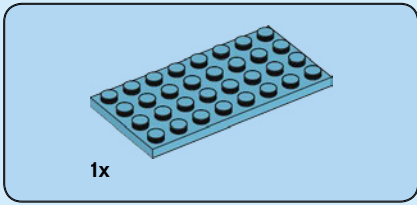


4

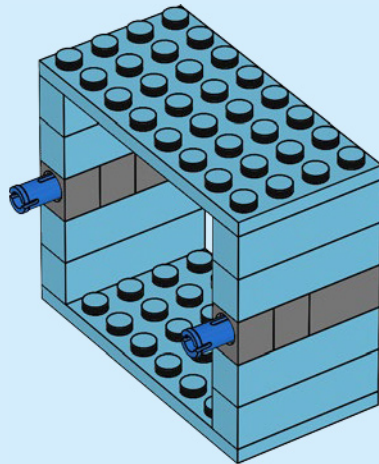


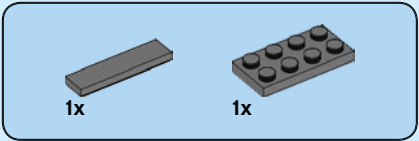
5



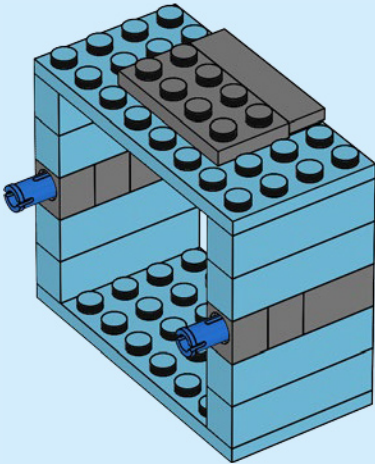


6





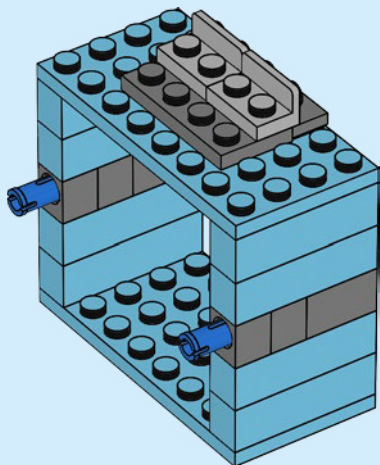
7



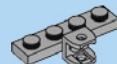


2x

8

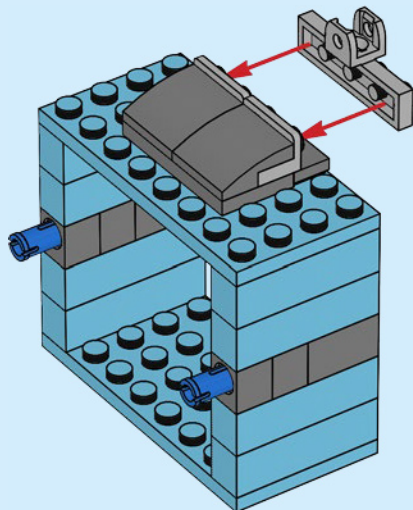


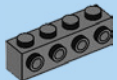
2x



1x

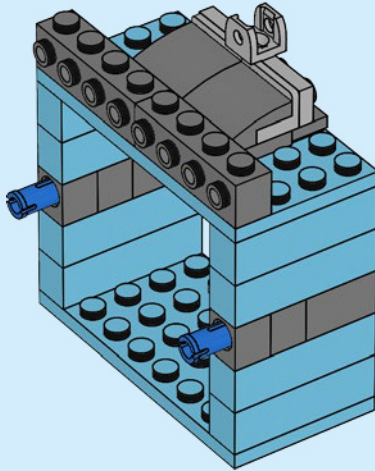
9

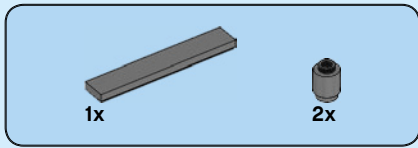




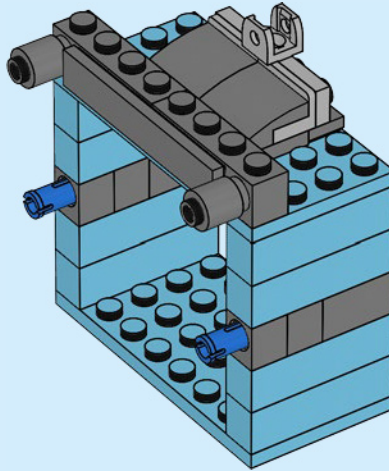
2x

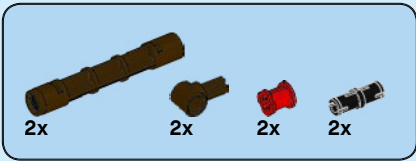
10



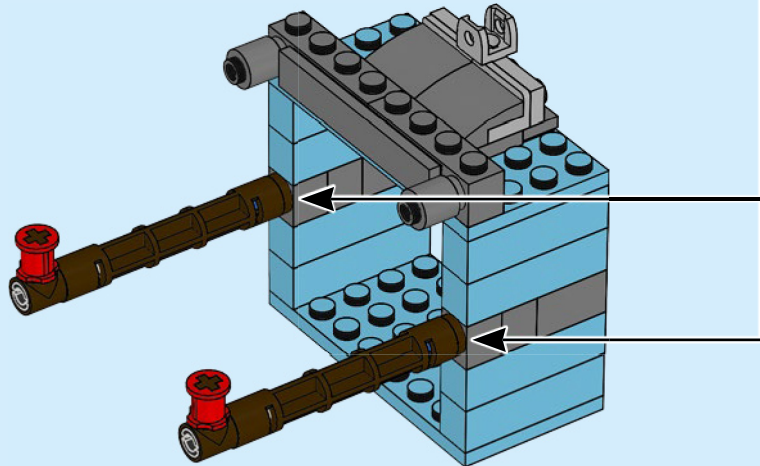
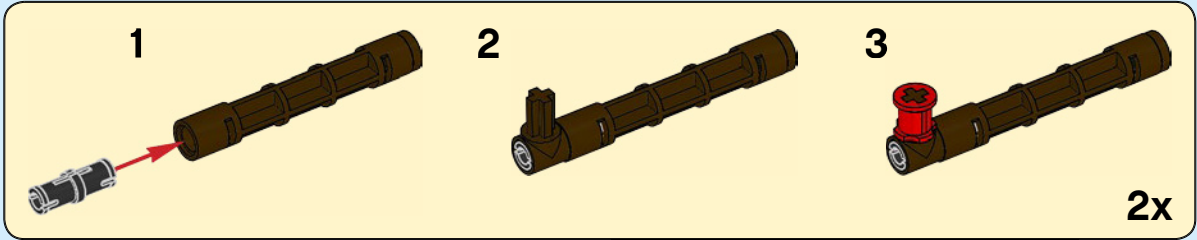


11

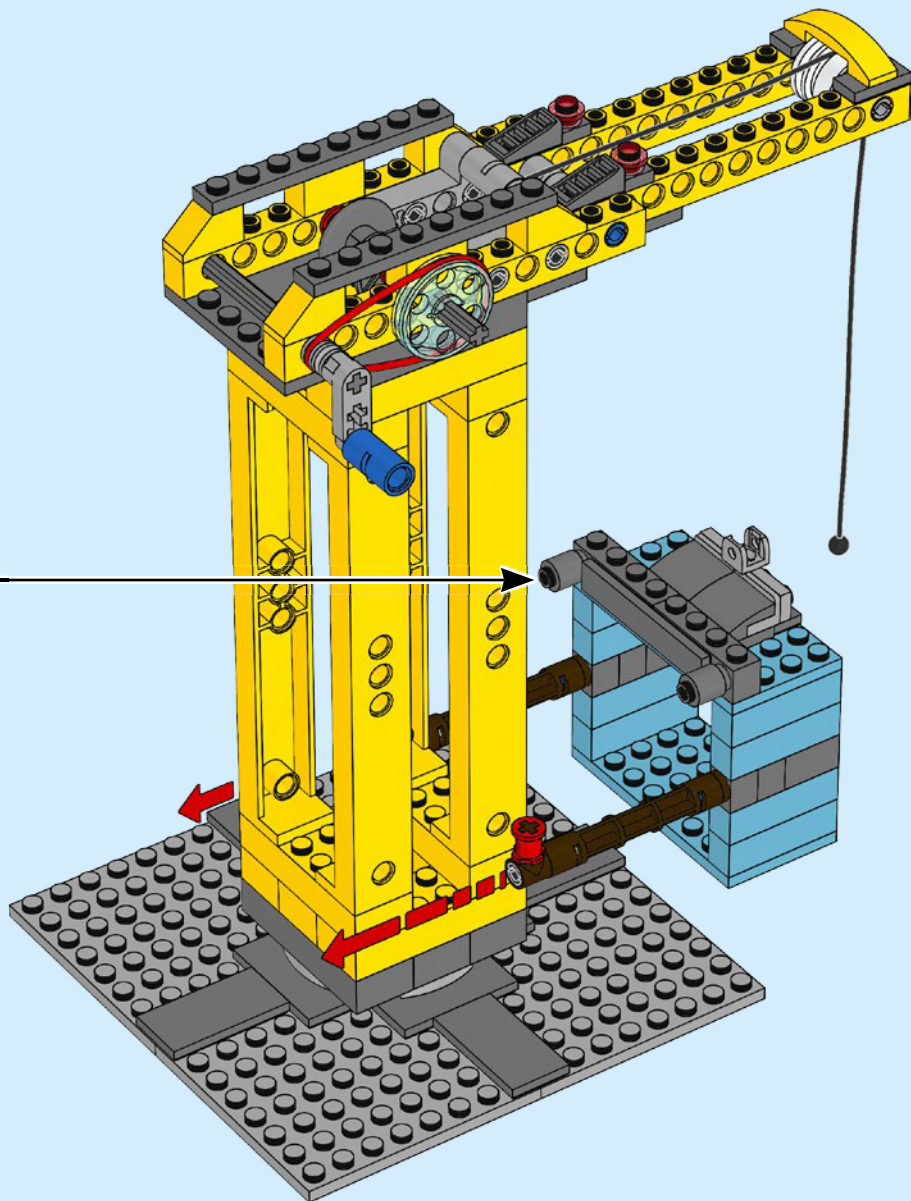




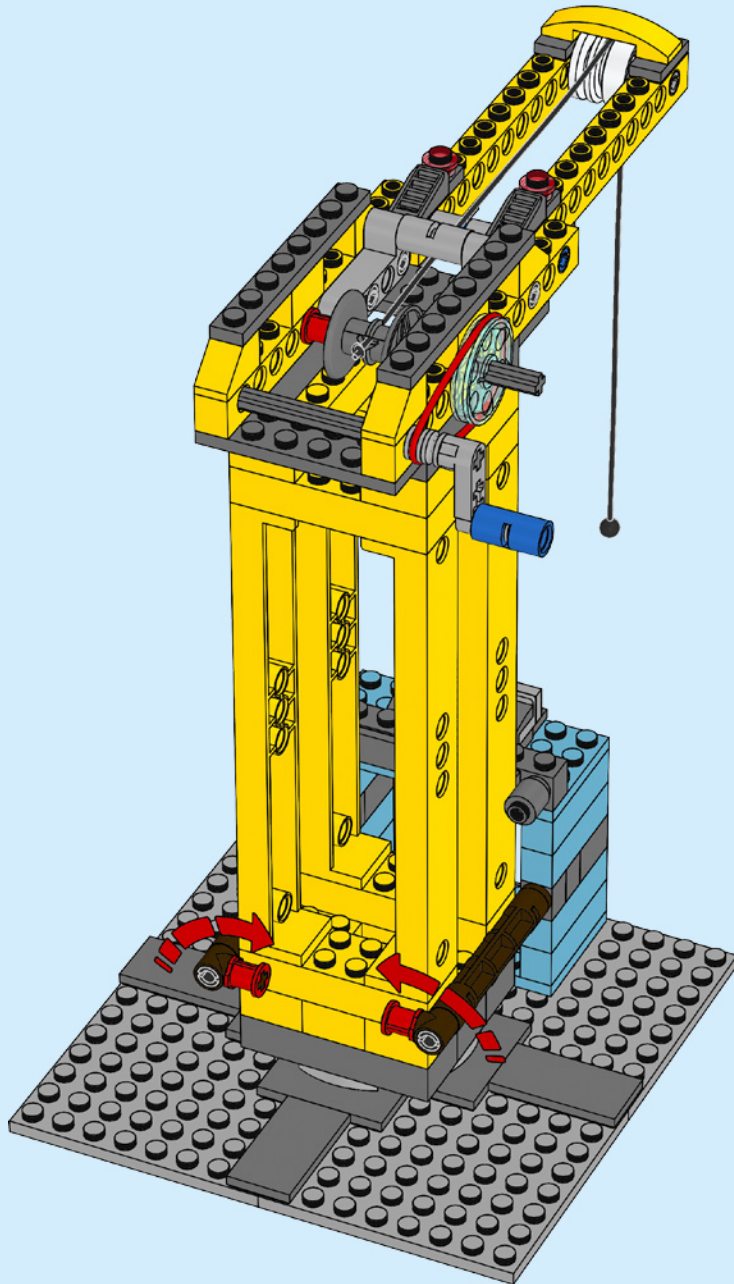
12



13

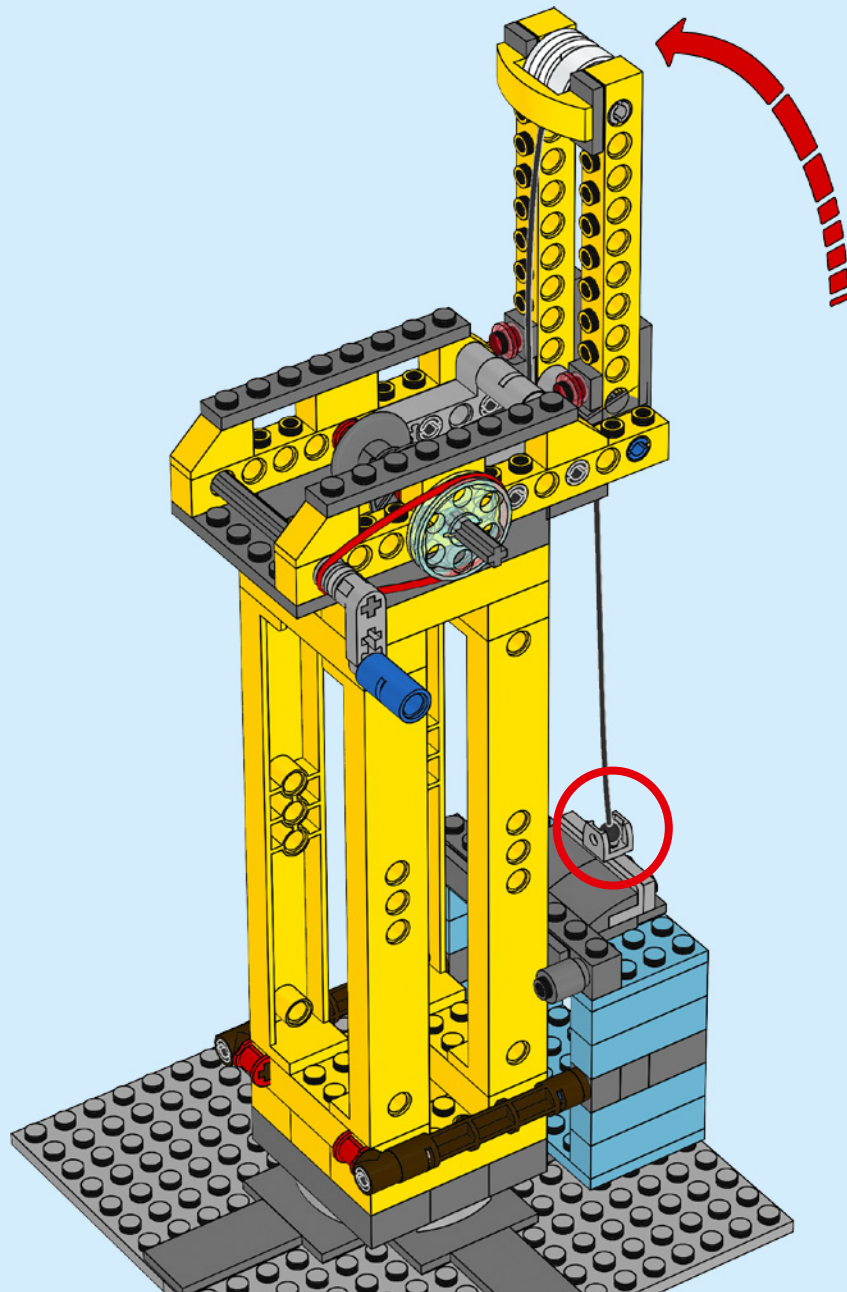


14

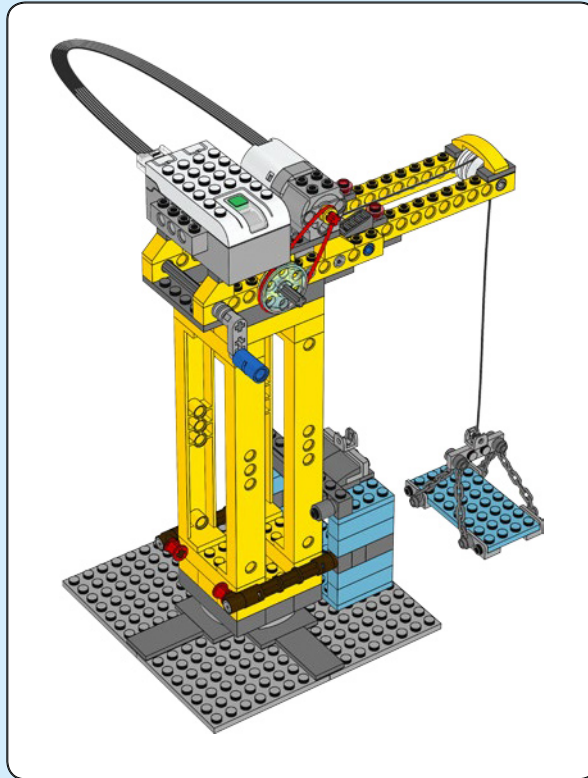


16

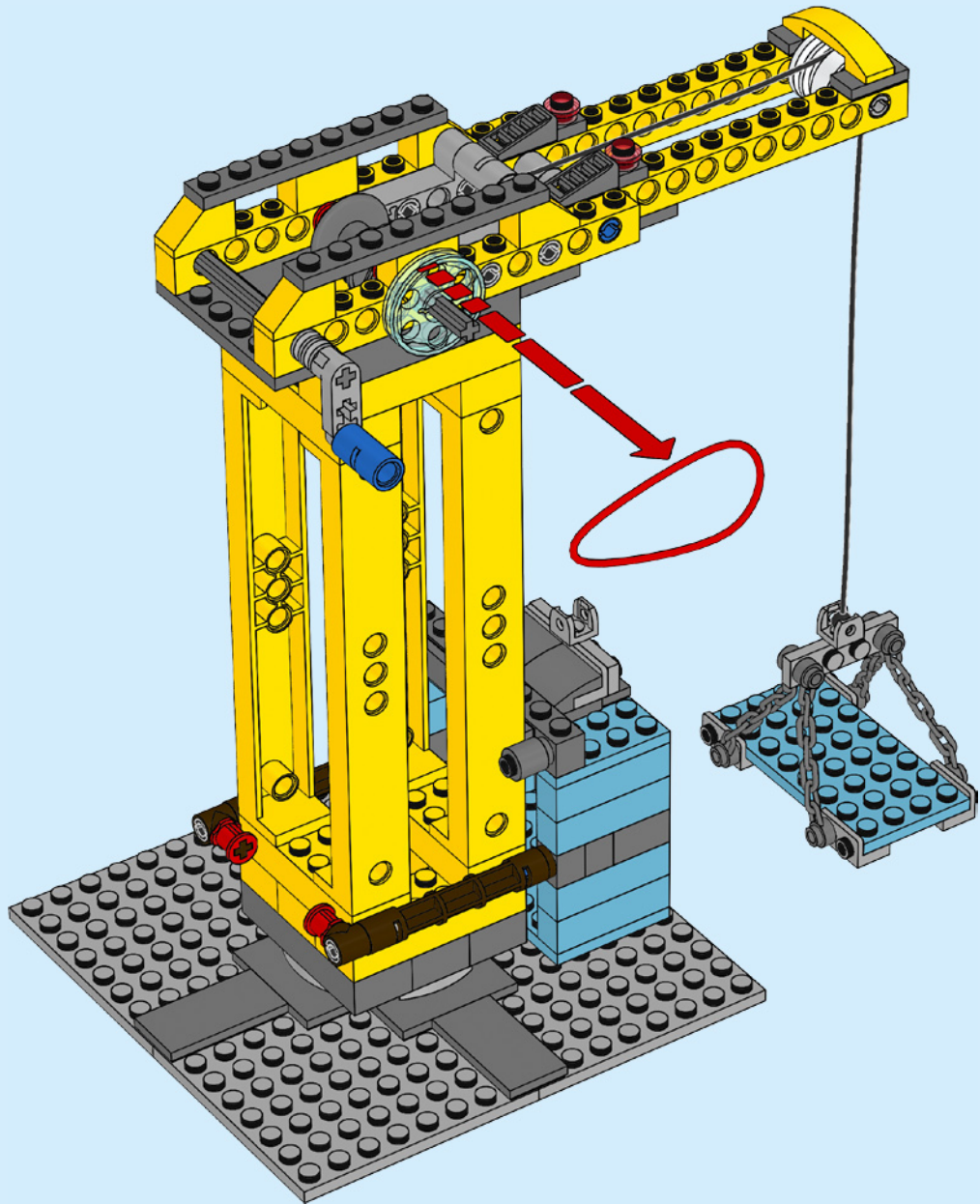
15

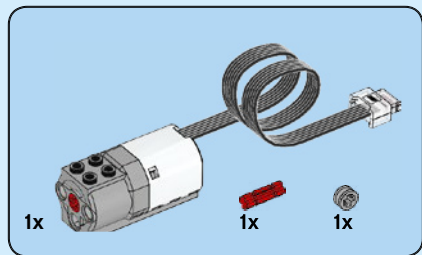


FIRST[®] LEGO[®] League 45810 + 45300

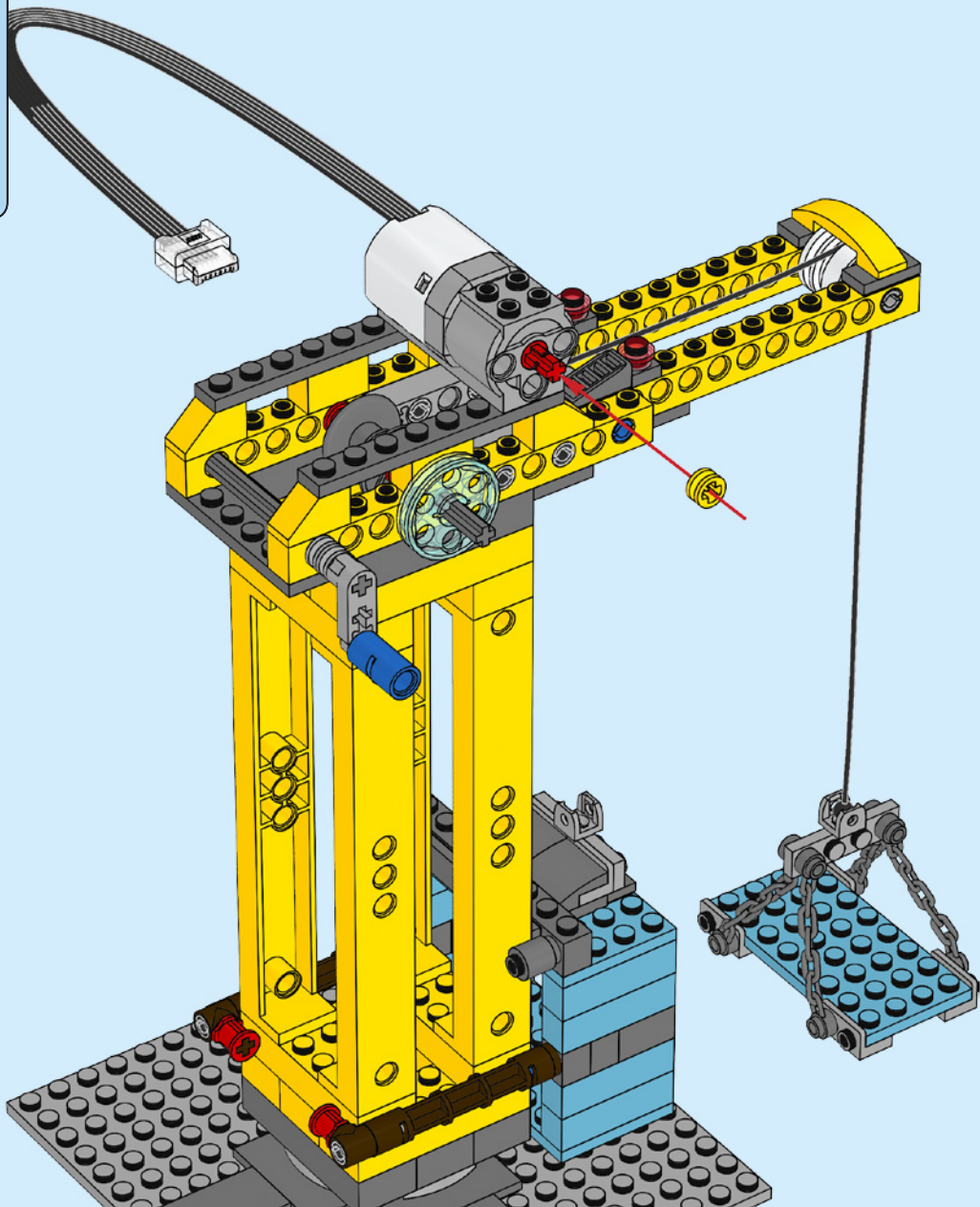


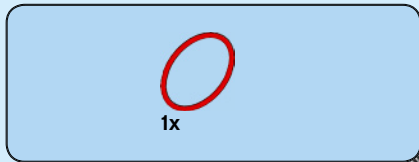
1



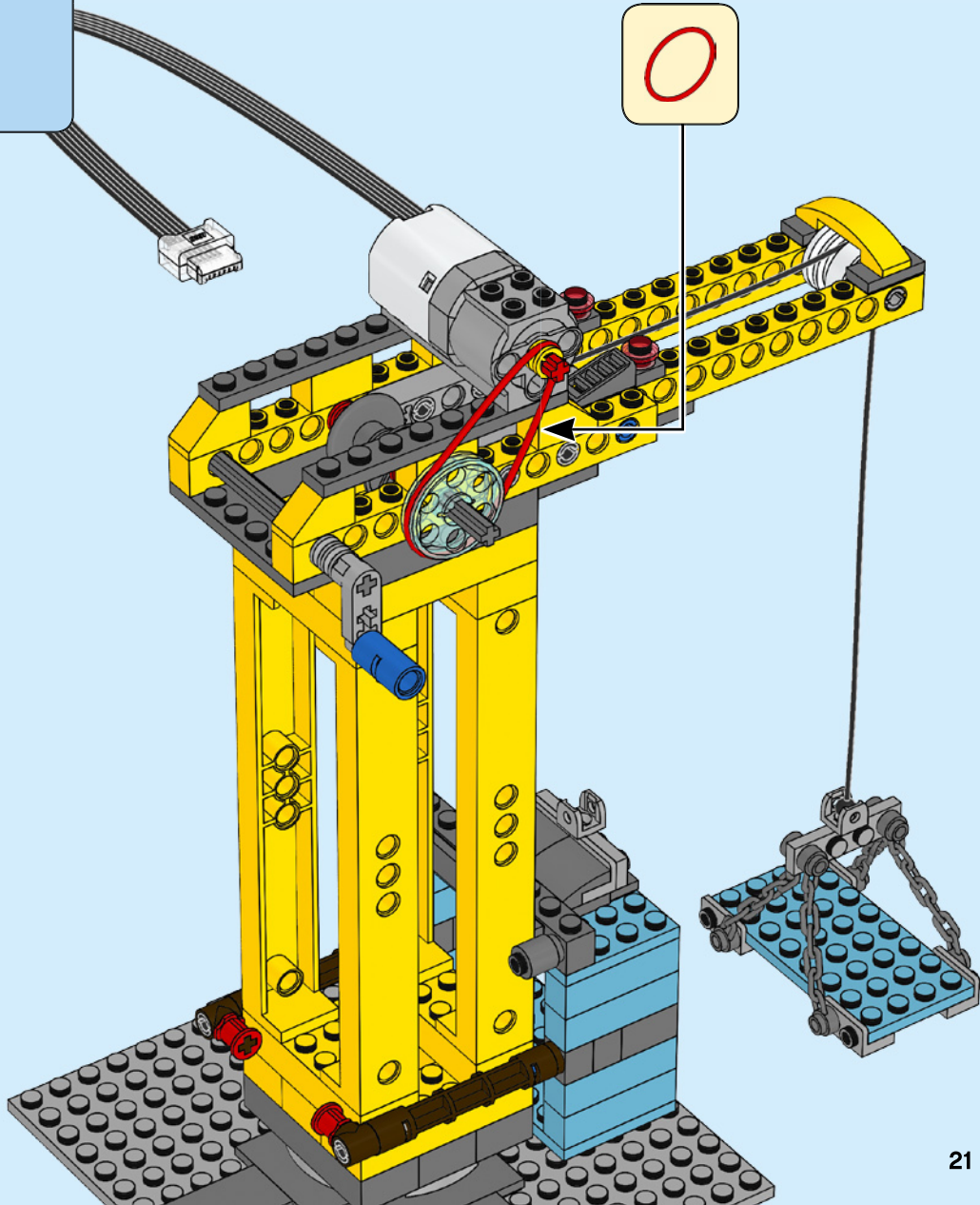
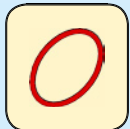


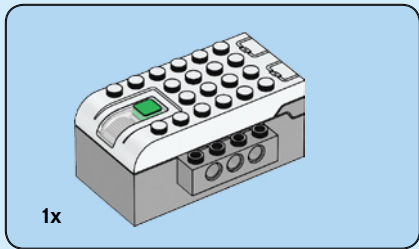
2



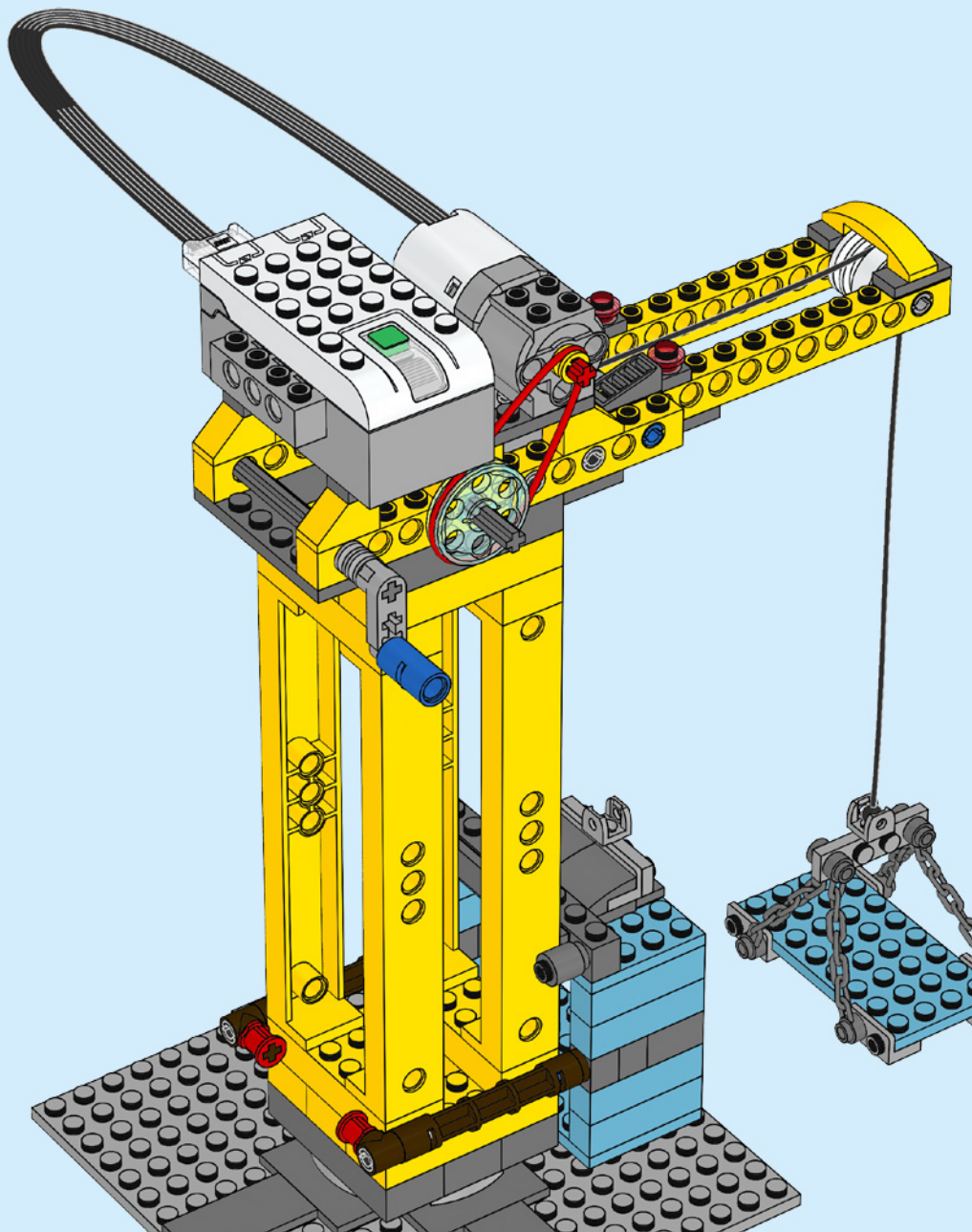


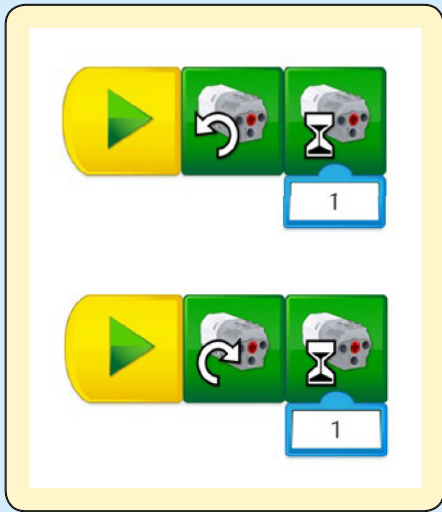
3

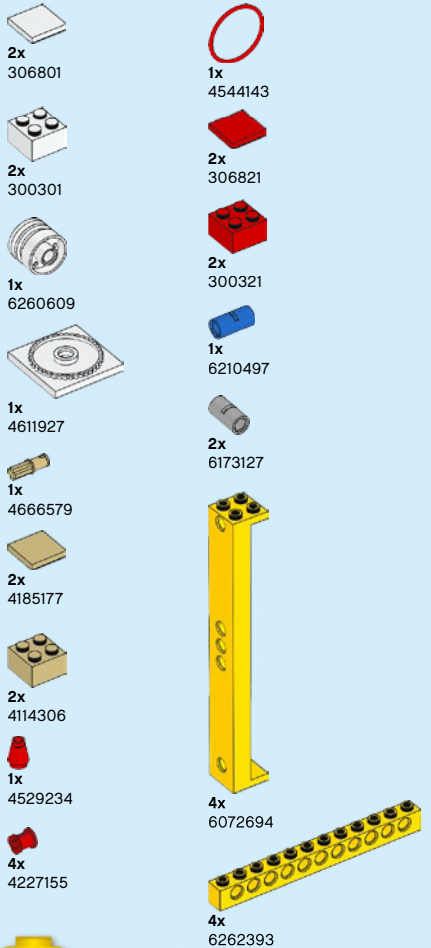




4







Customer Service

Kundenservice

Service Consommateurs

Servicio Al Consumidor

LEGO.com/service or dial



00800 5346 5555 :



1-800-422-5346 :



LEGO and the LEGO logo are trademarks of the/son des marques de commerce du/son marcas registradas de LEGO Group. ©2019 The LEGO Group. All rights reserved/Tous droits réservés/Todos los derechos reservados.

FIRST® is a registered trademark of For Inspiration and Recognition of Science and Technology (FIRST). LEGO® is a registered trademark of the LEGO Group. FIRST® LEGO® League Jr. and BOOMTOWN BUILD™ are jointly held trademarks of FIRST and the LEGO Group. ©2019 FIRST and the LEGO Group. All rights reserved. 6289520