



education

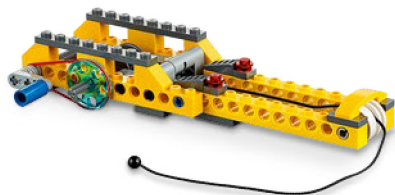


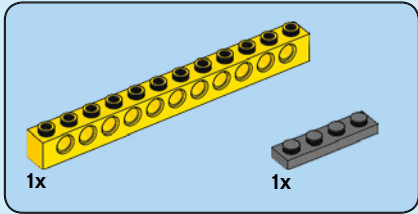
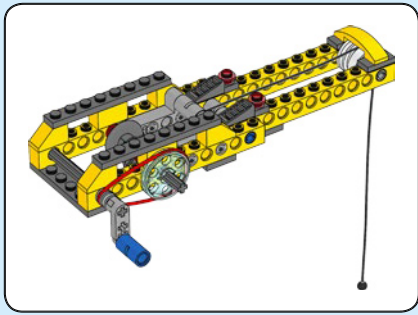
FIRST
LEGO
LEAGUE JR.

45810

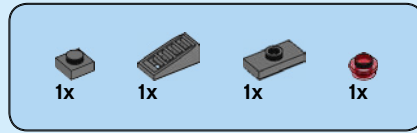
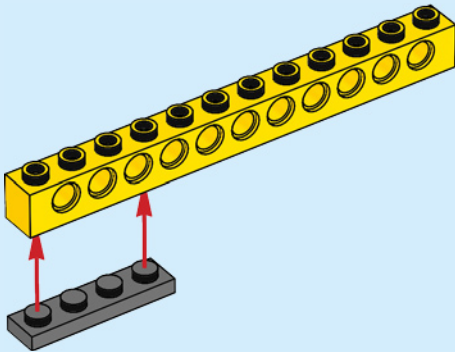


 **BOOMTOWN
BUILD**

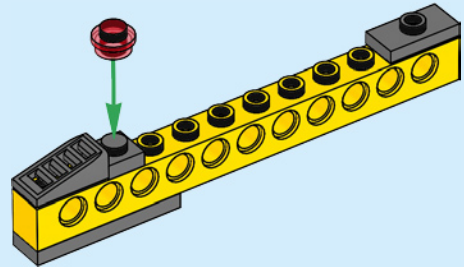




1

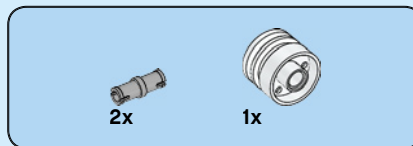
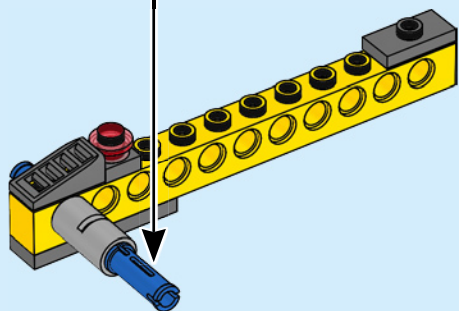
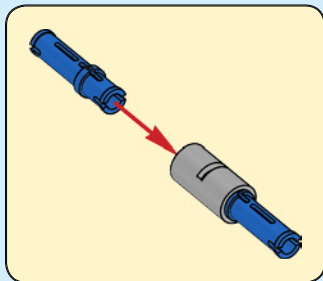


2

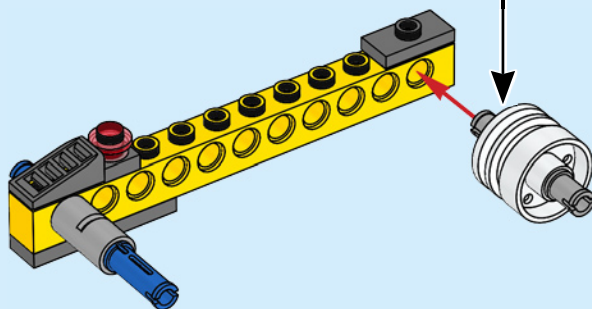
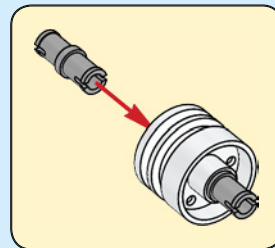


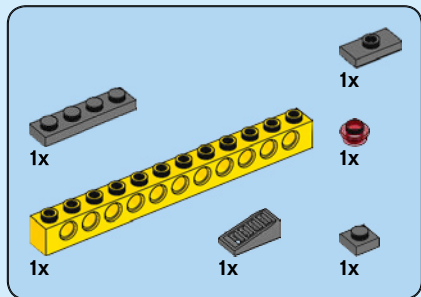


3

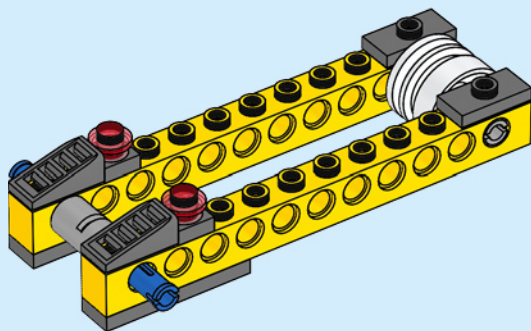
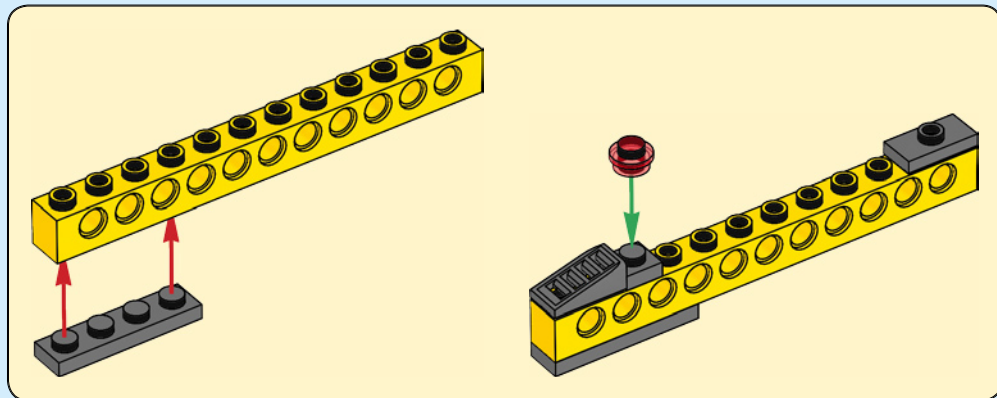


4

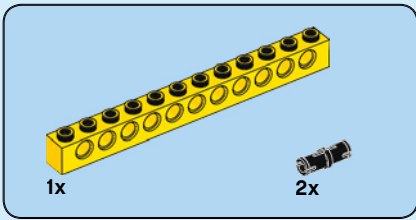




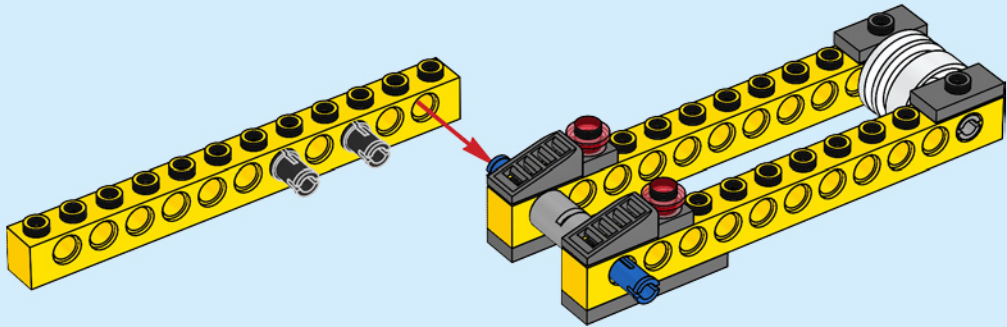
5

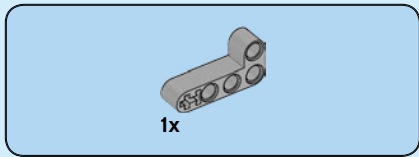


4

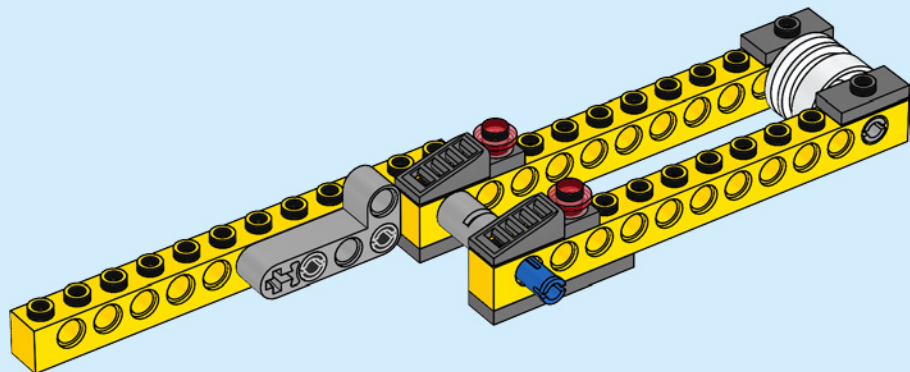


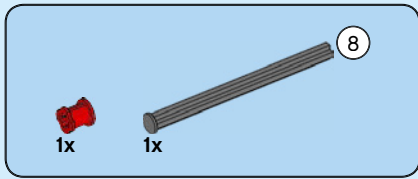
6



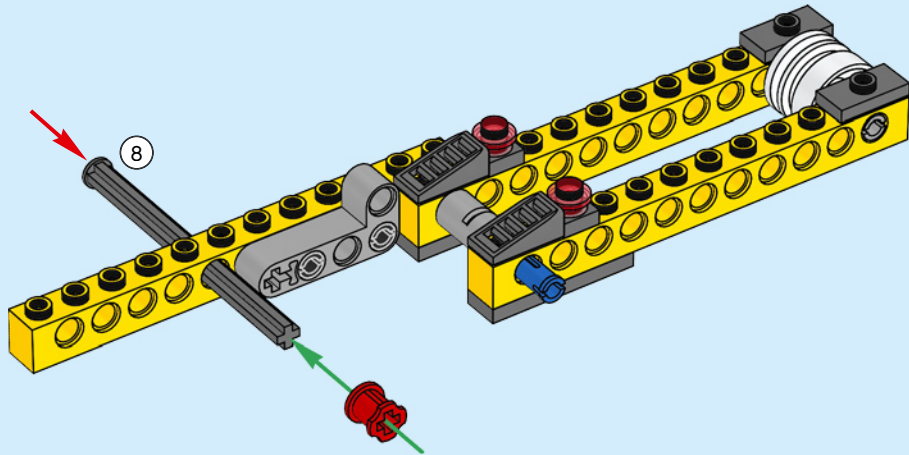


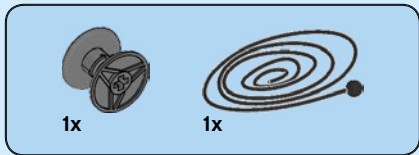
7



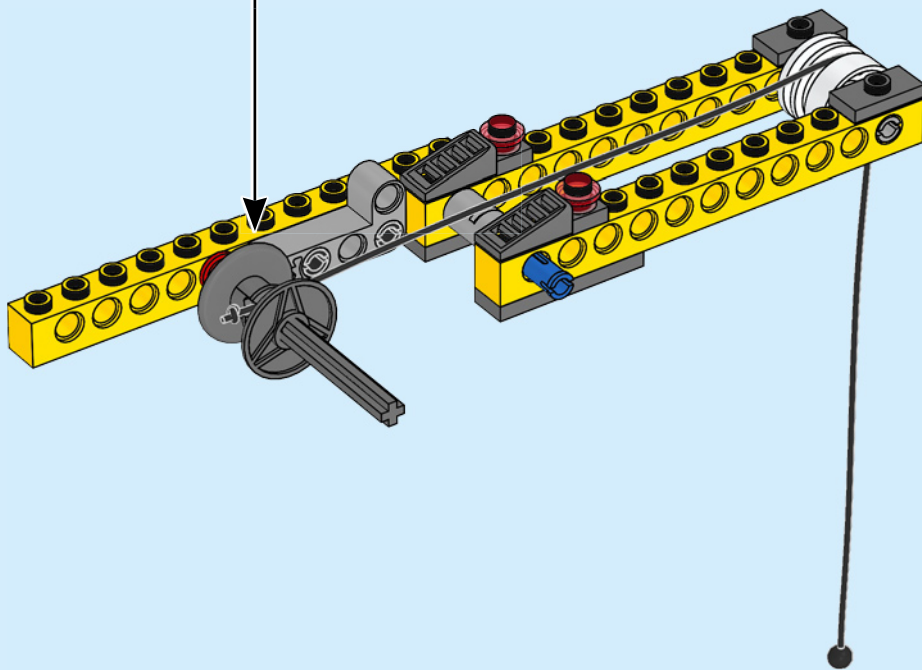
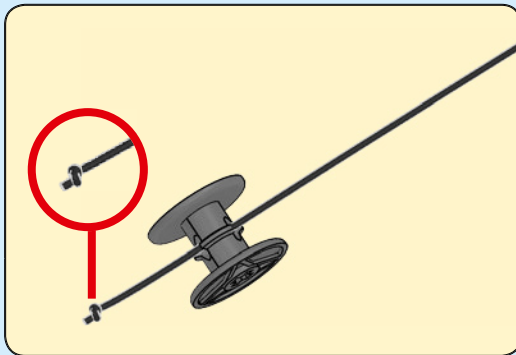


8





9



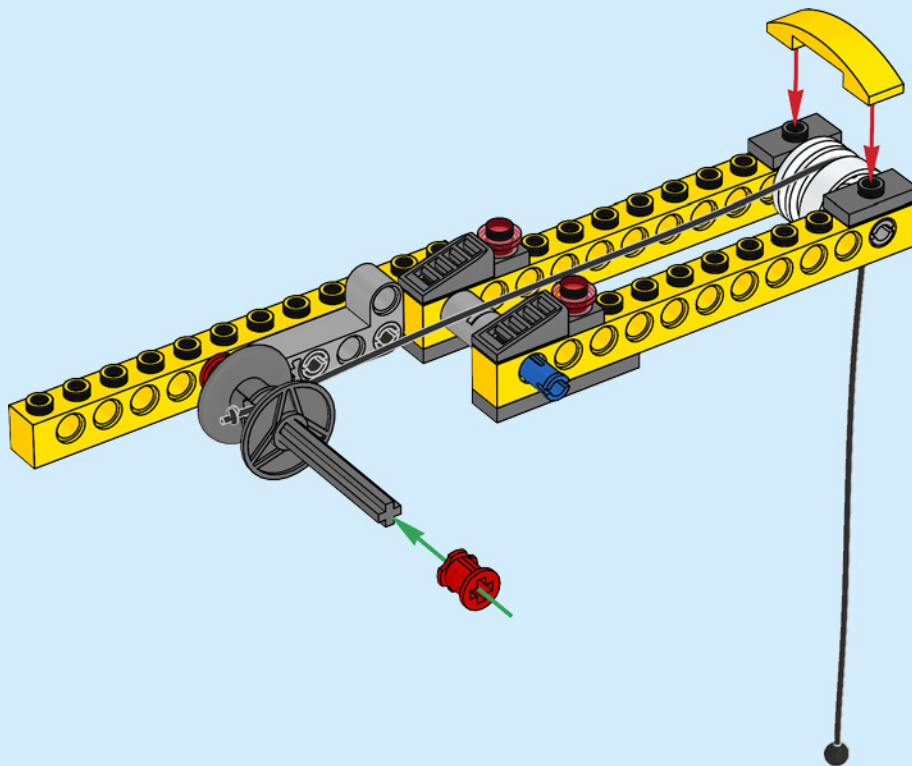


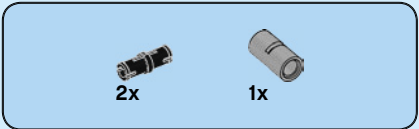
1x



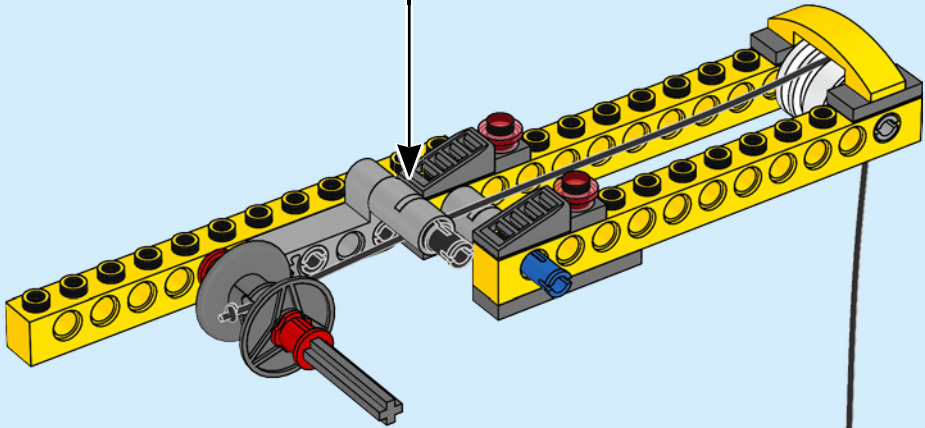
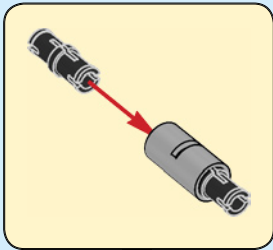
1x

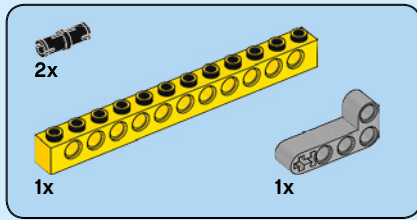
10



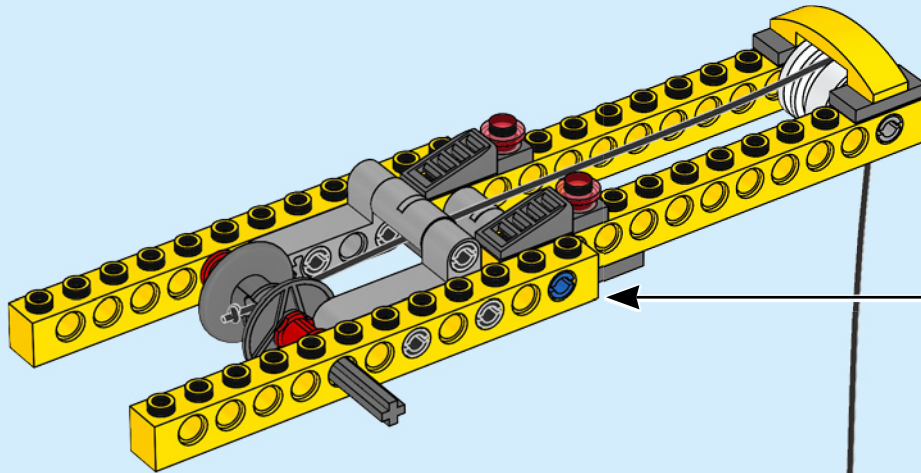
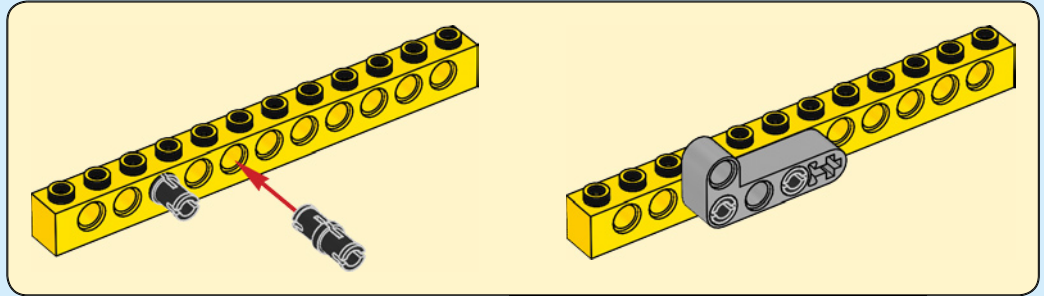


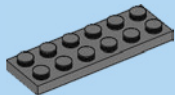
11





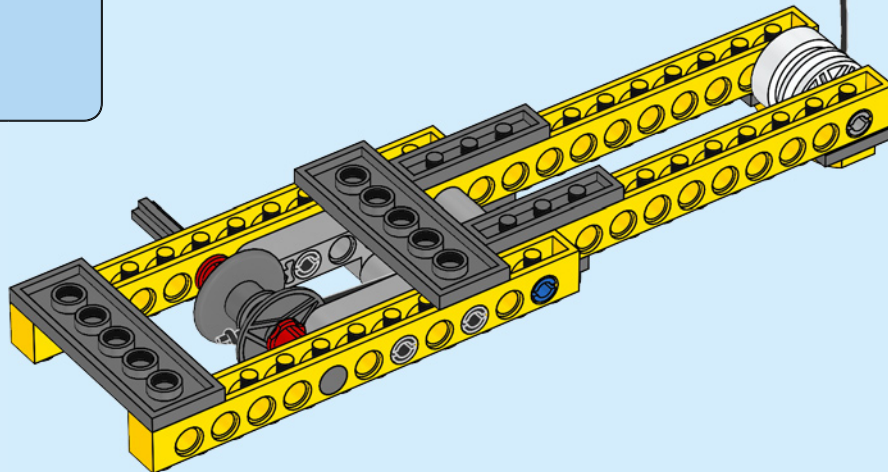
12





2x

13

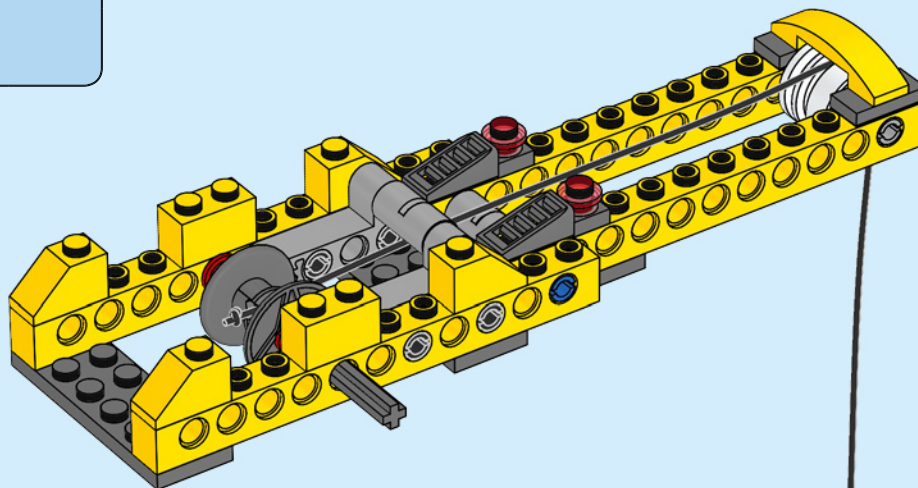


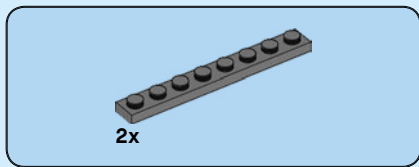
2x



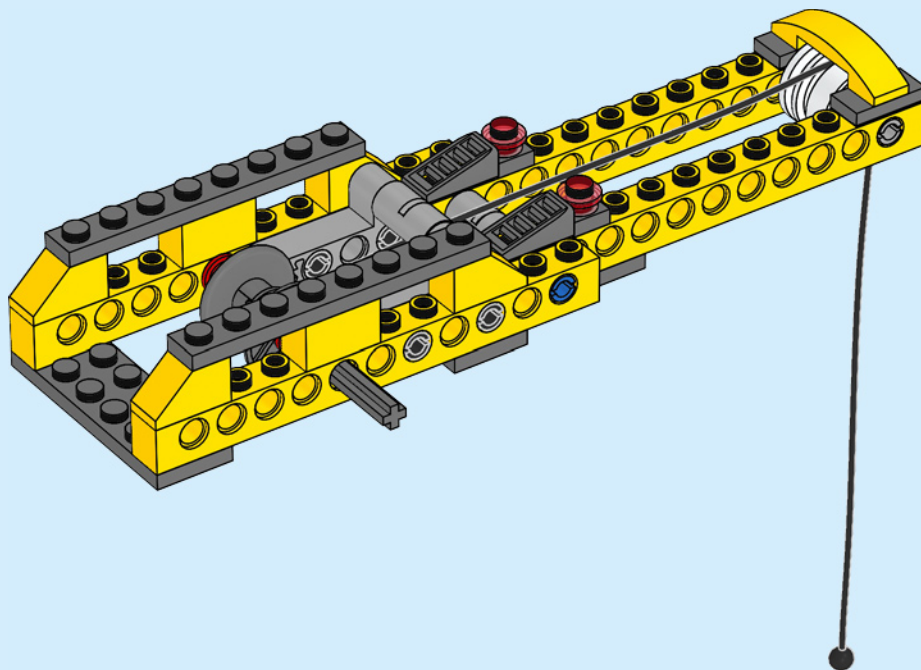
4x

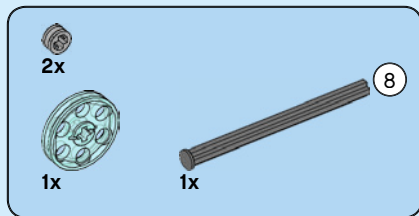
14



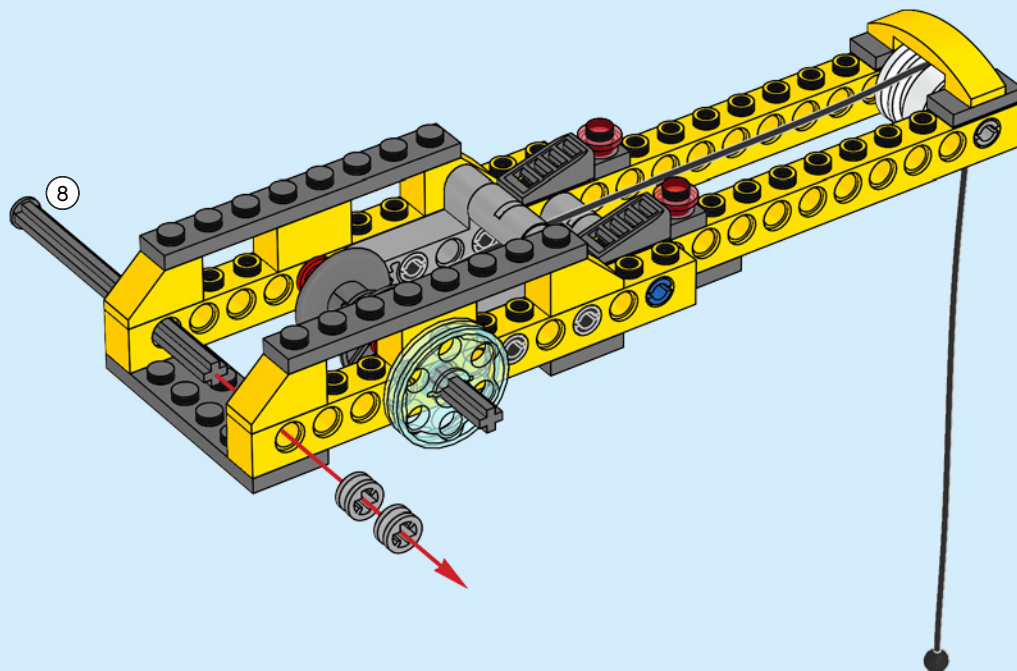


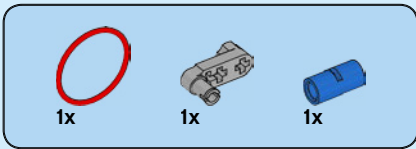
15



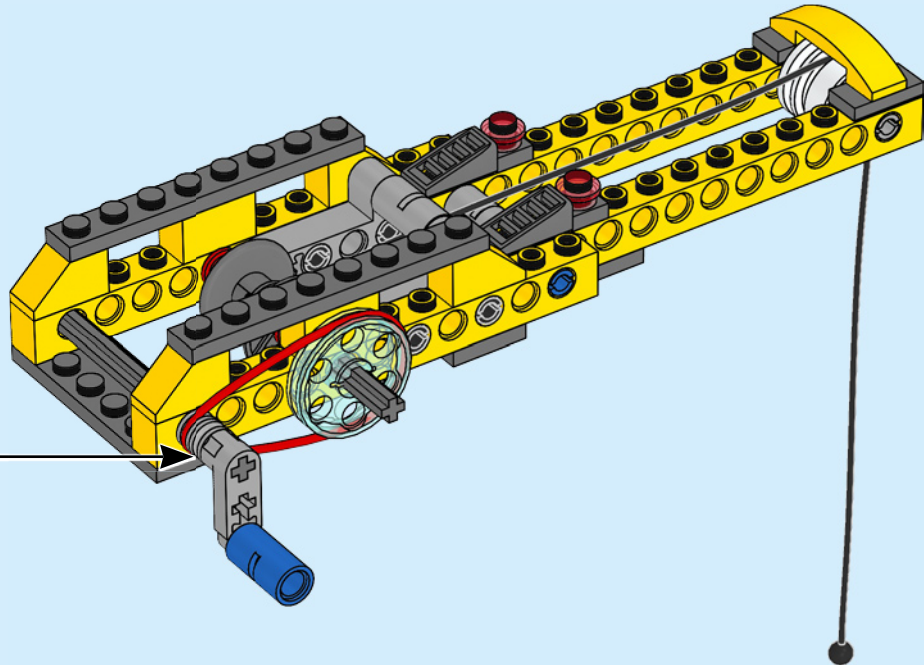
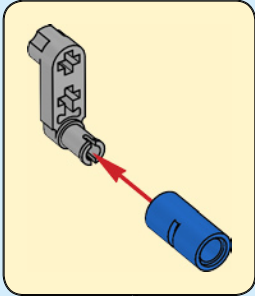


16

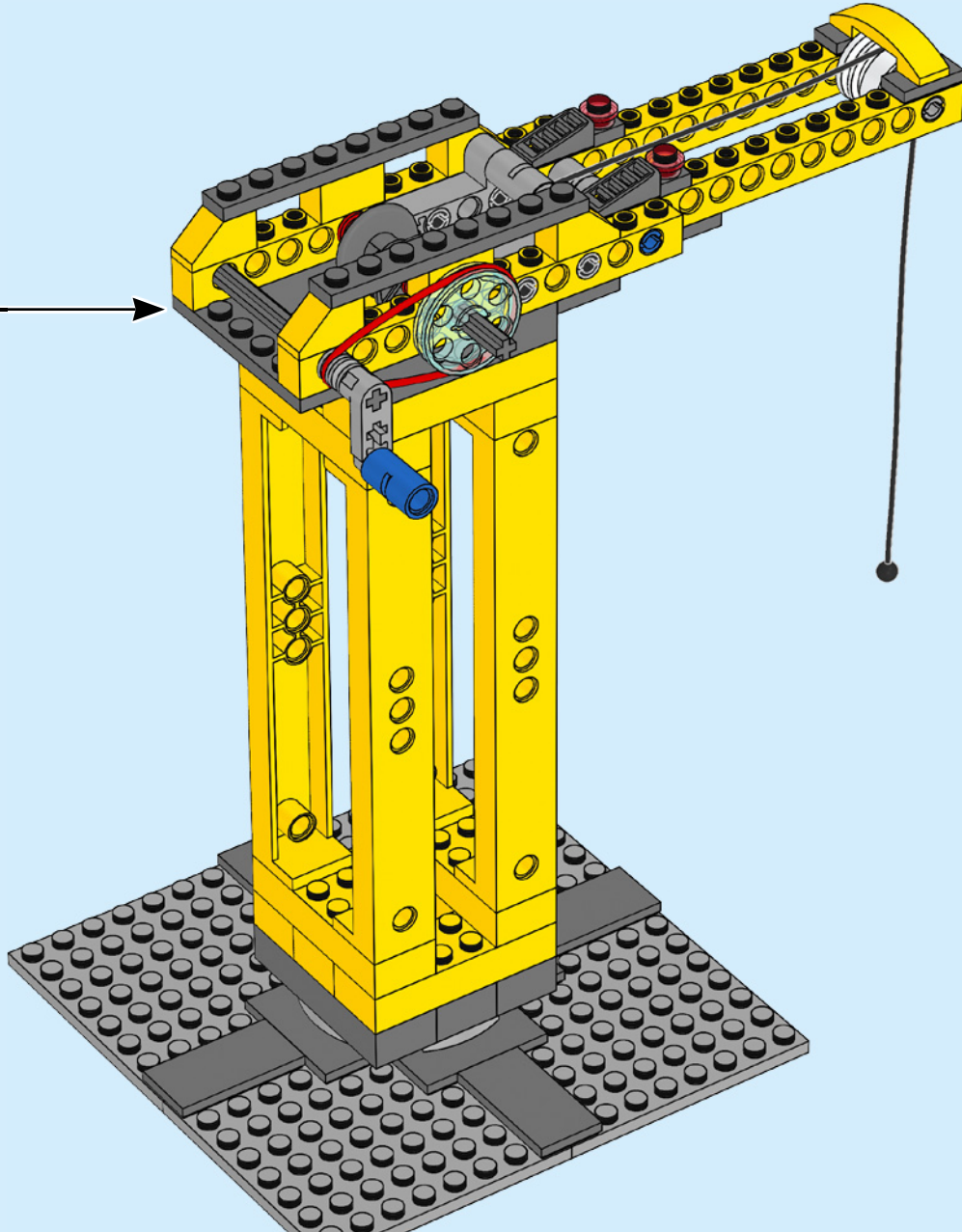




17



18



16

LEGO and the LEGO logo are trademarks of the LEGO Group. ©2019 The LEGO Group.
FIRST[®] is a registered trademark of For Inspiration and Recognition of Science and Technology (FIRST).
LEGO[®] is a registered trademark of the LEGO Group. FIRST[®], LEGO[®], League Jr. and BOOMTOWN BUILDSM
are jointly held trademarks of FIRST and the LEGO Group.
©2019 FIRST and the LEGO Group. All rights reserved. 6289516