



MINDSTORMS

EV3

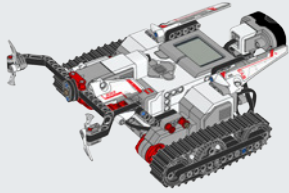


31313

TRACK3R



1.

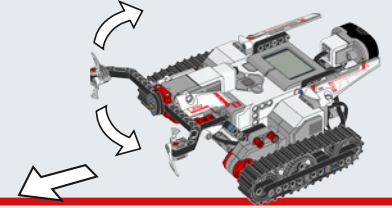


MISSION 01

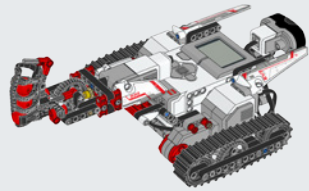
2.



3.



1.

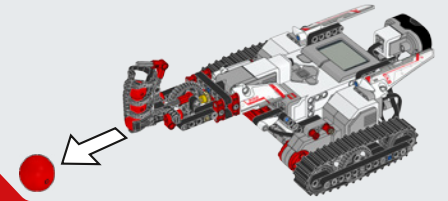


MISSION 02

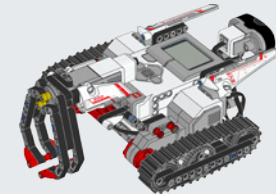
2.



3.



1.

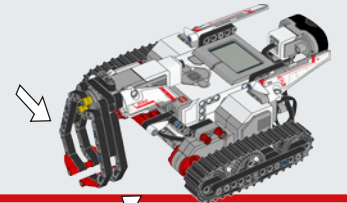


MISSION 03

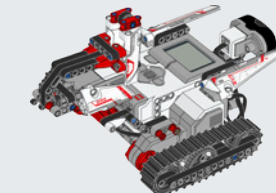
2.



3.



1.

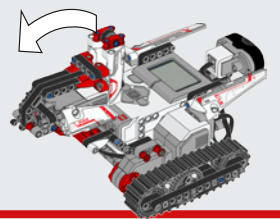


MISSION 04

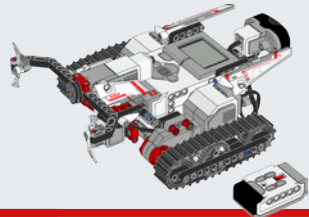
2.



3.



1.

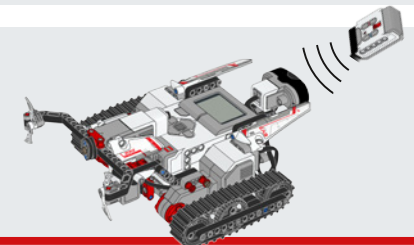


MISSION 05

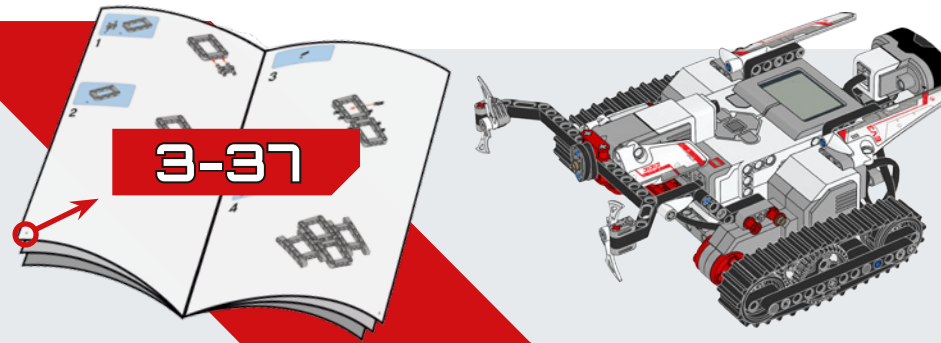
2.

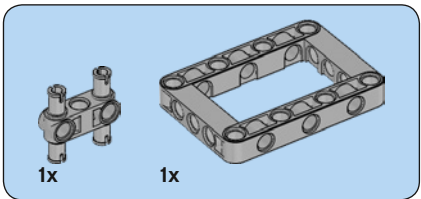
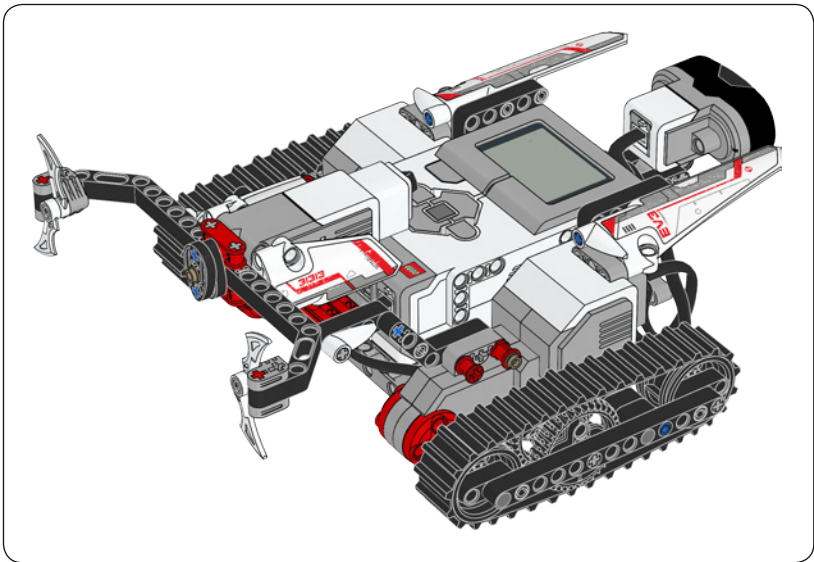


3.

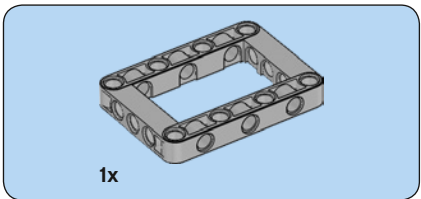
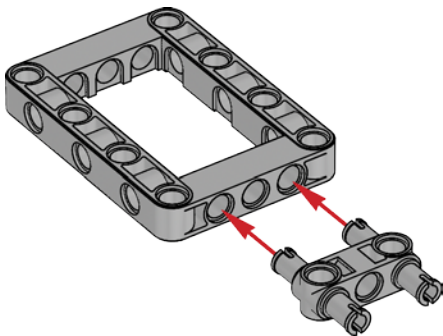


MISSION 01

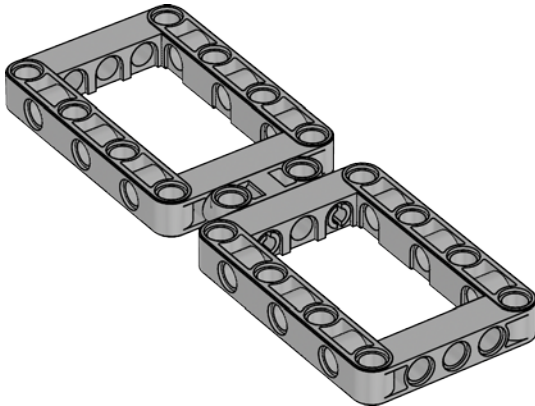


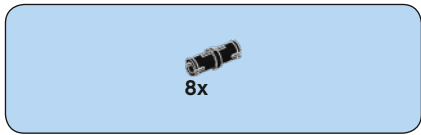


1

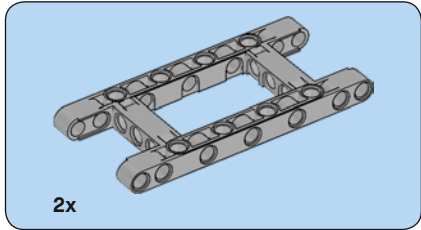
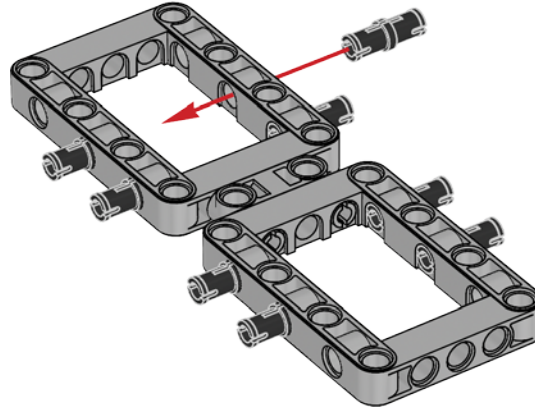


2

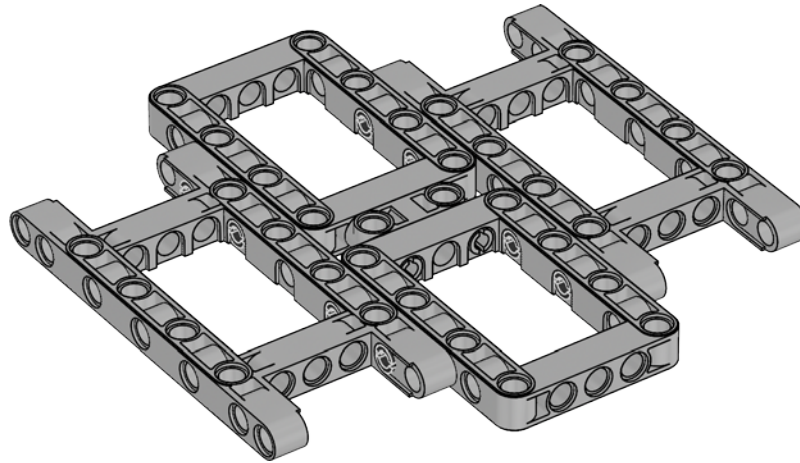


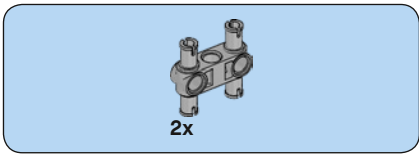


3

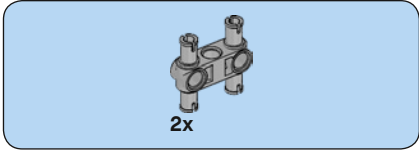
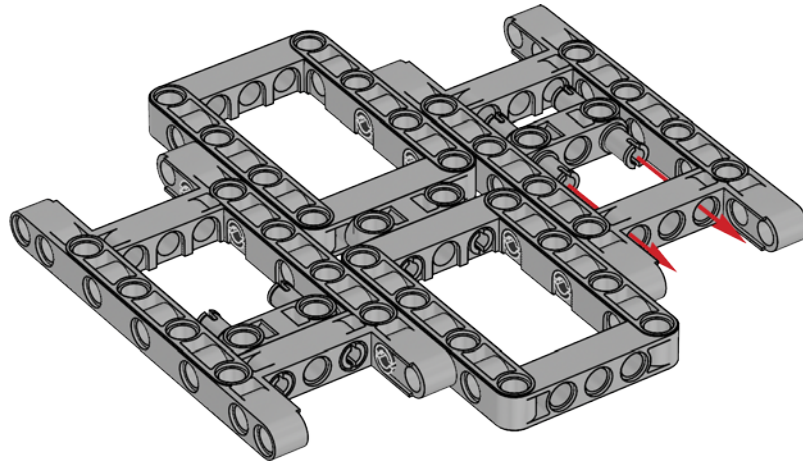


4

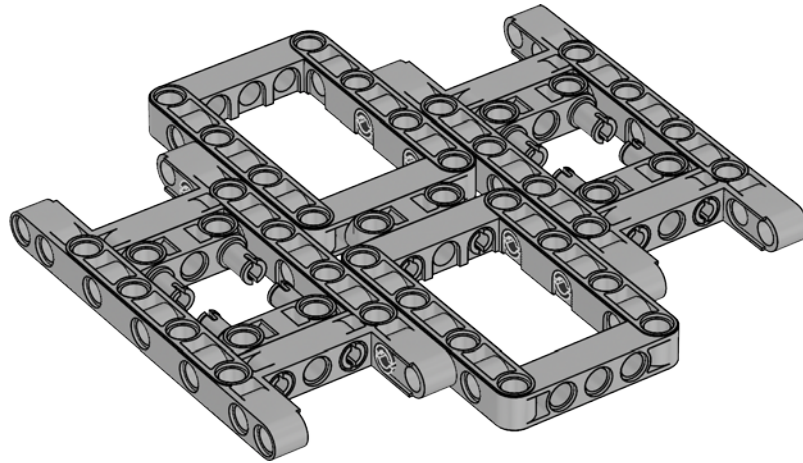


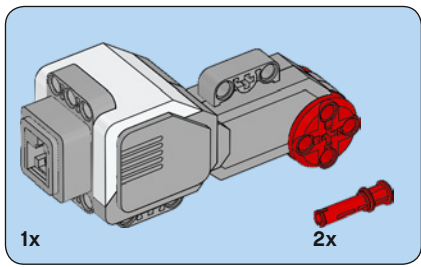


5

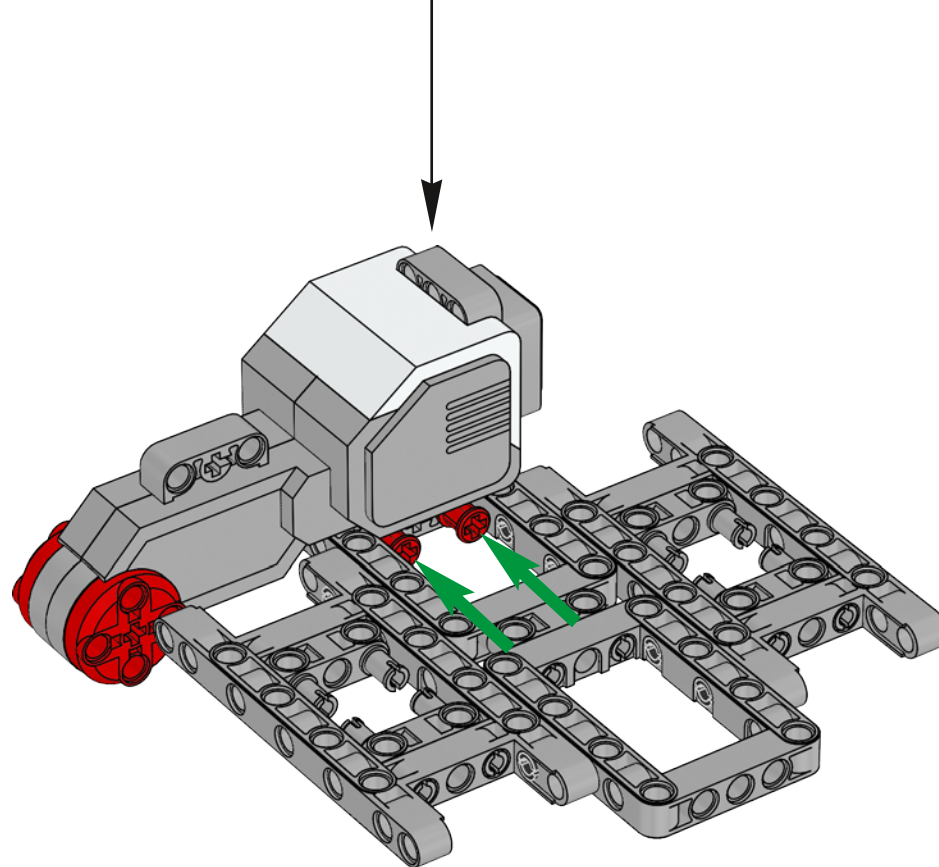
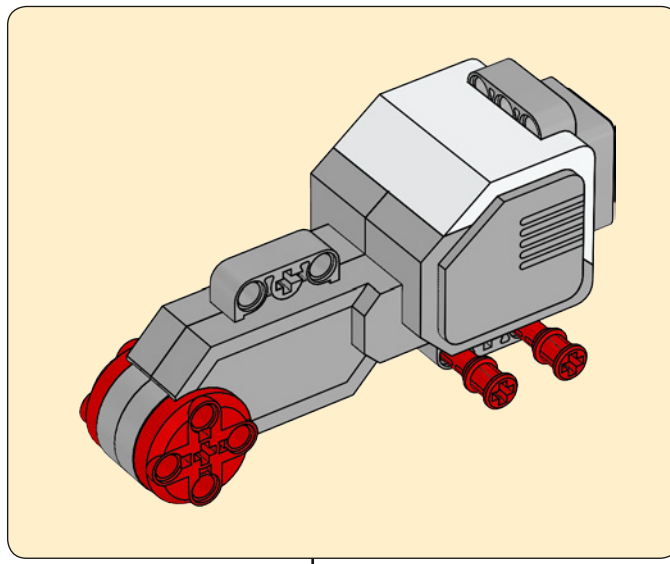


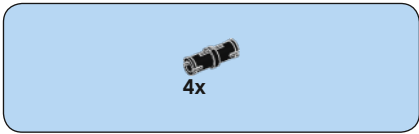
6



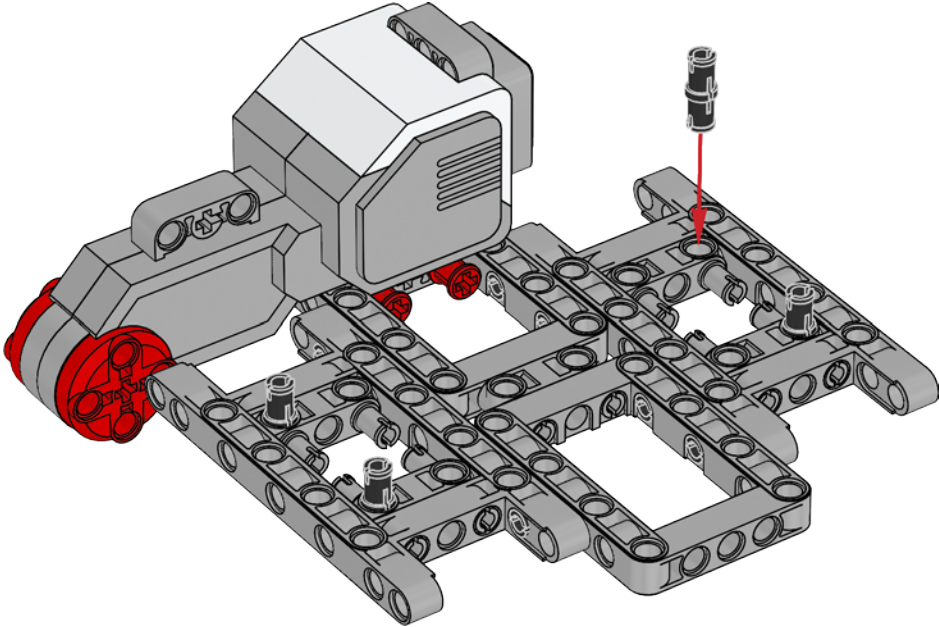


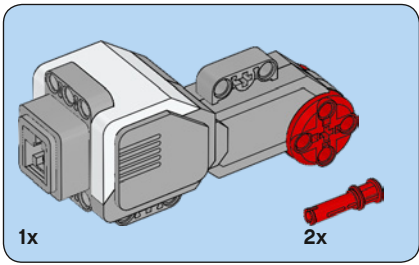
7



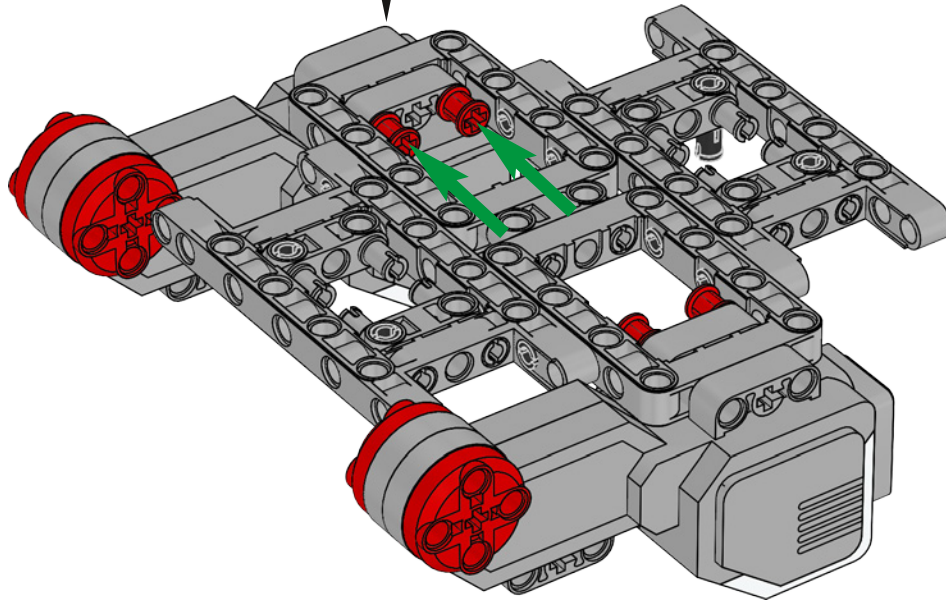
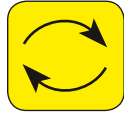
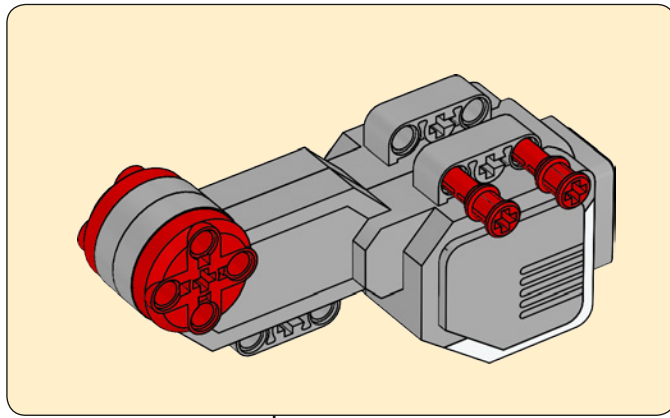


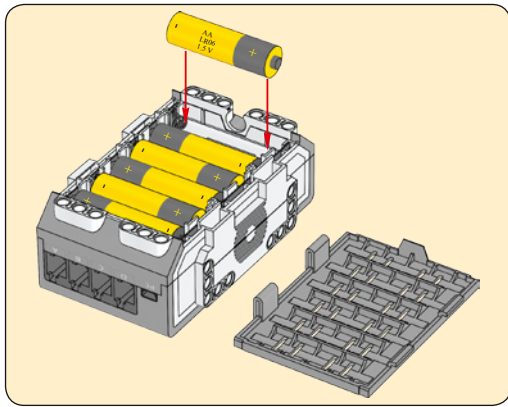
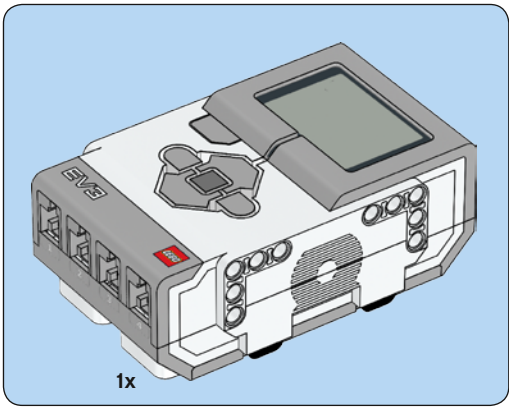
8





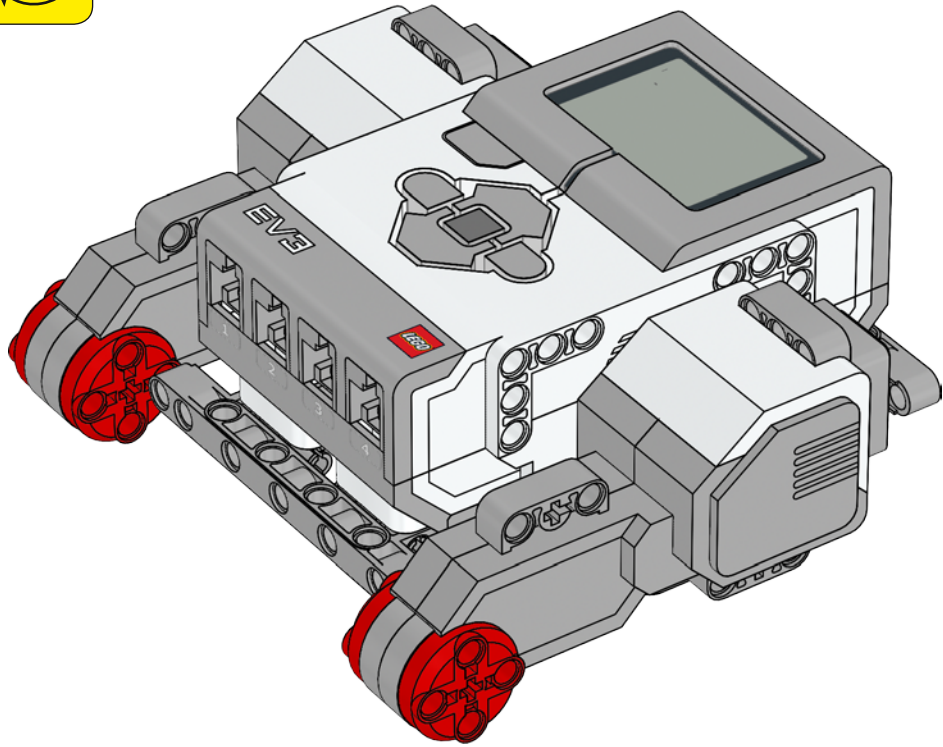
9

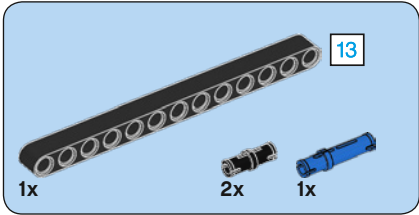
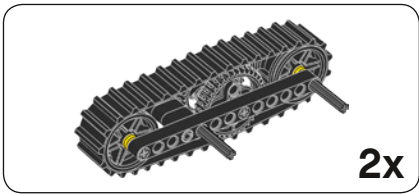




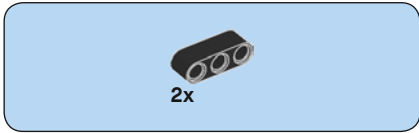
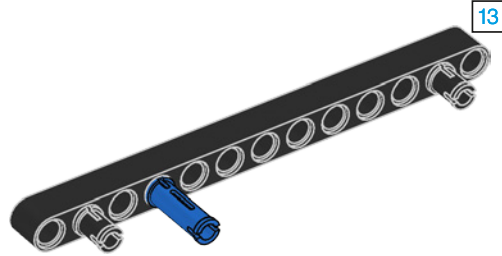
AA
LR06
1.5V
x6

10

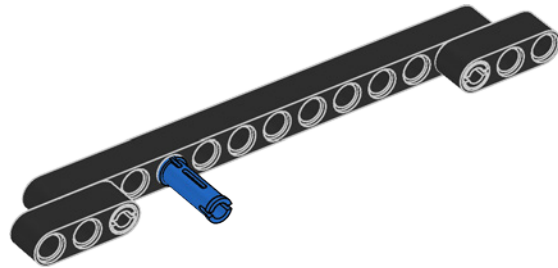


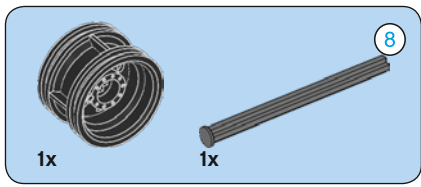


1

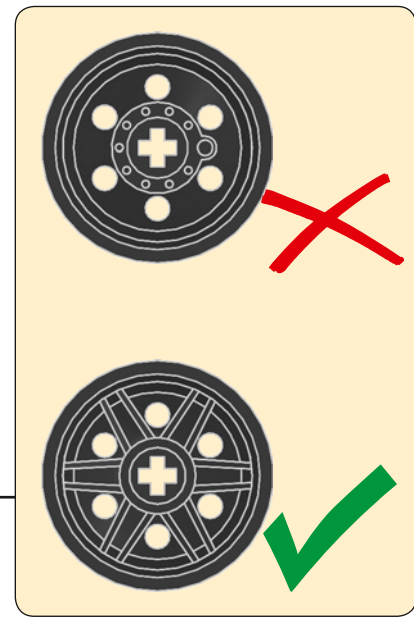
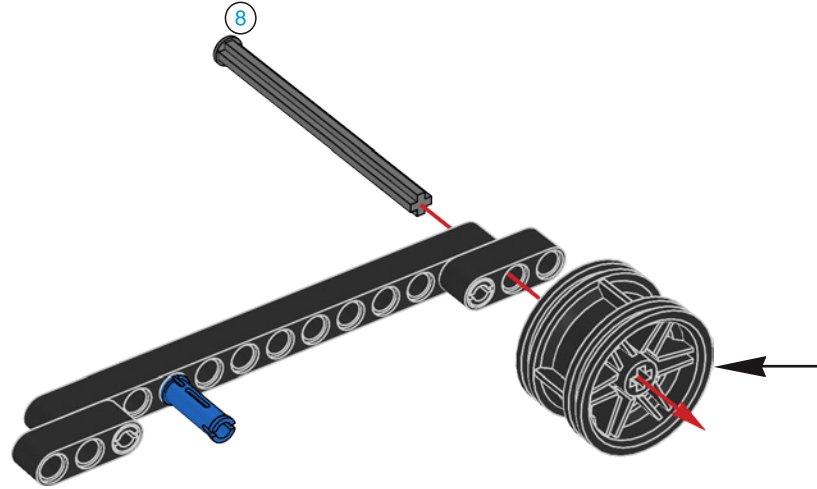


2

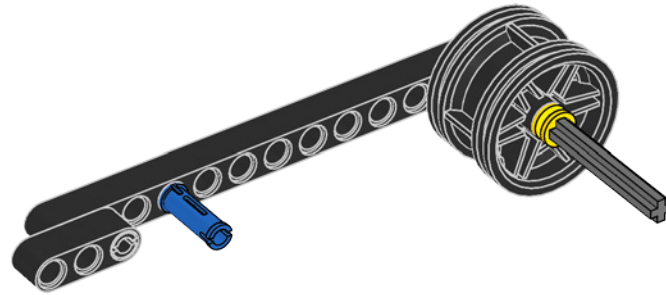


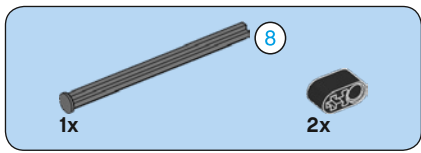


3

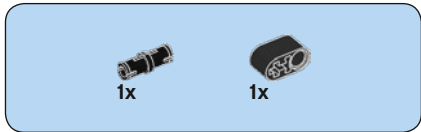
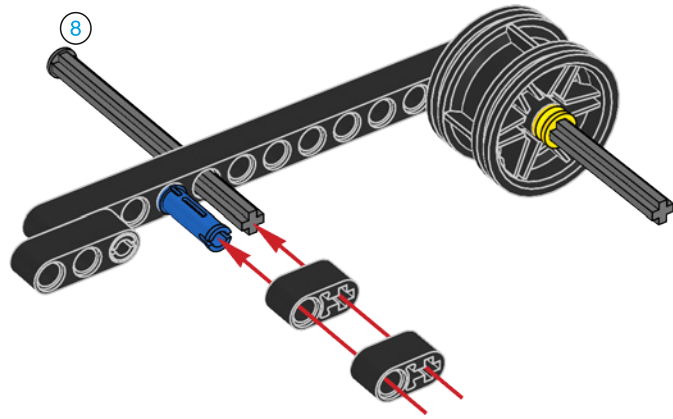


4

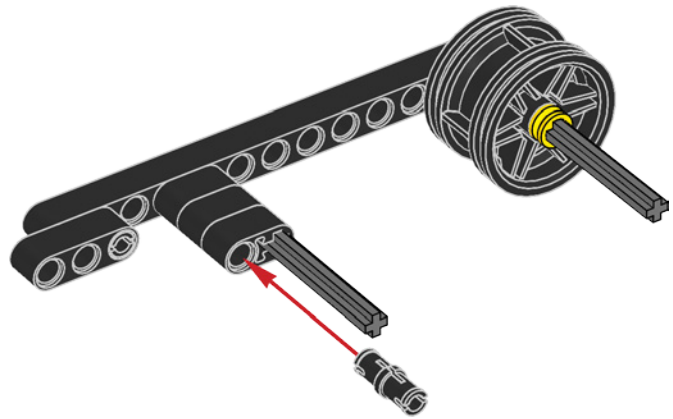


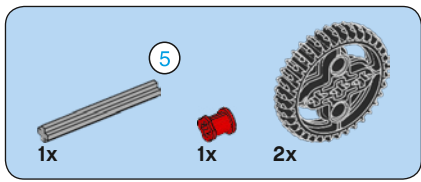


5

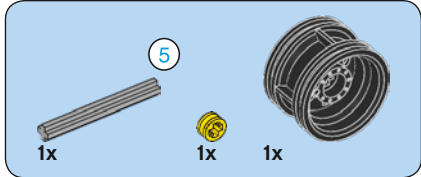
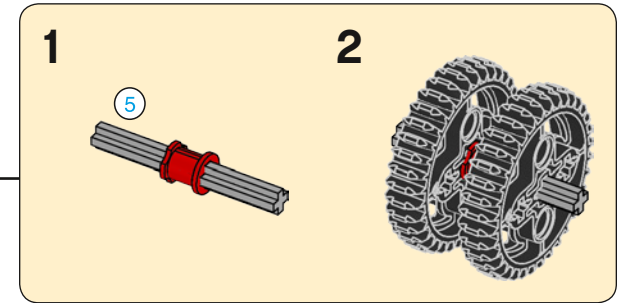
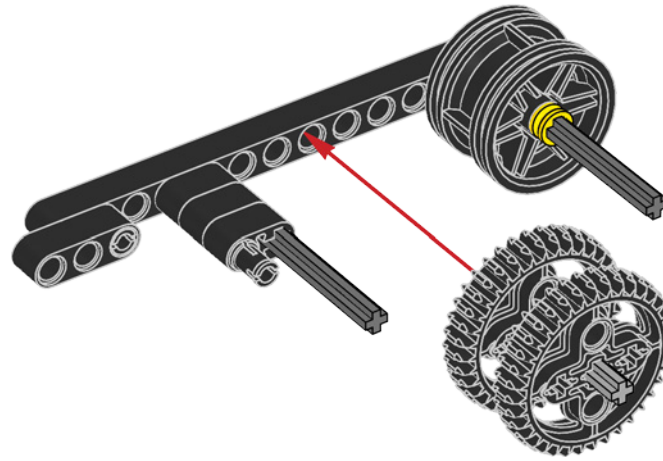


6

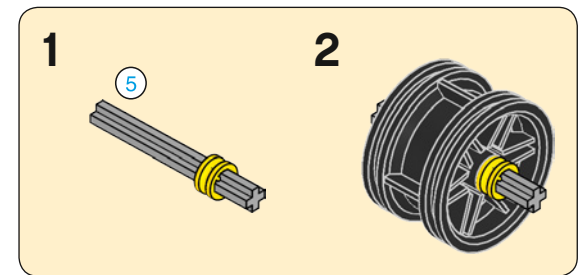
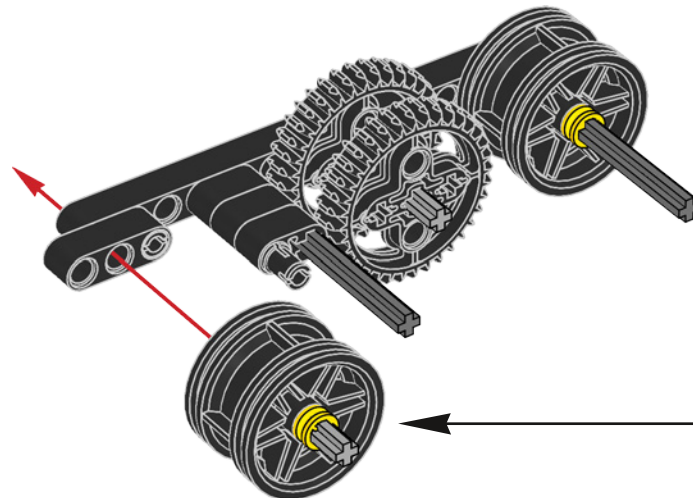


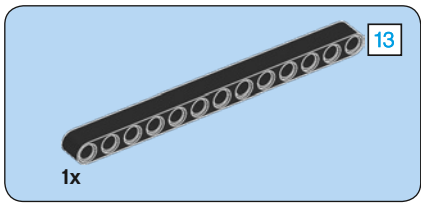


7

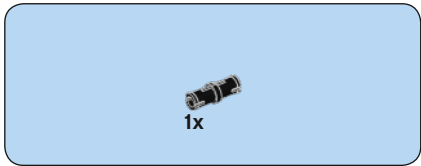
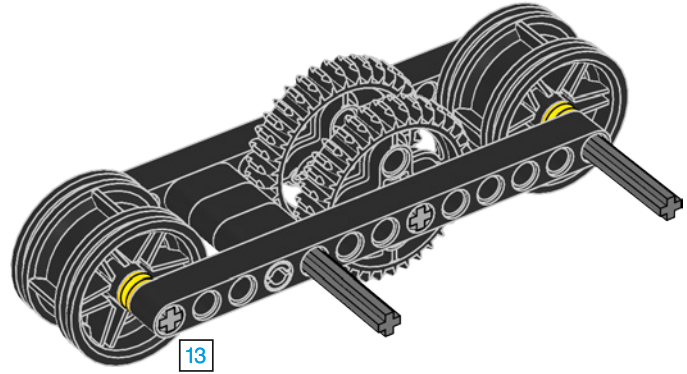


8

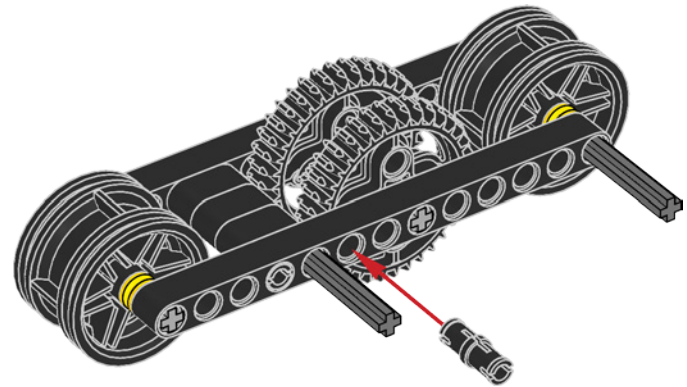


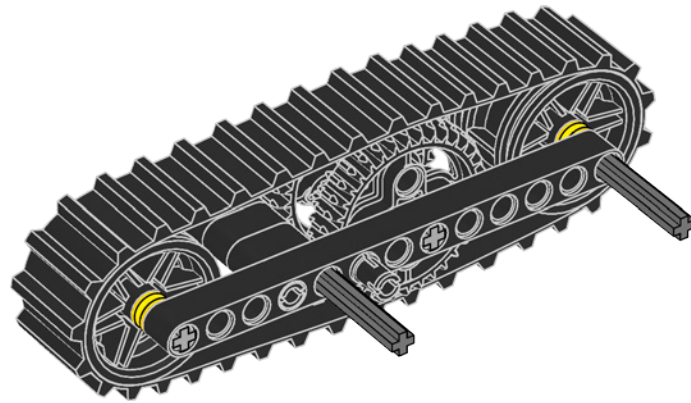
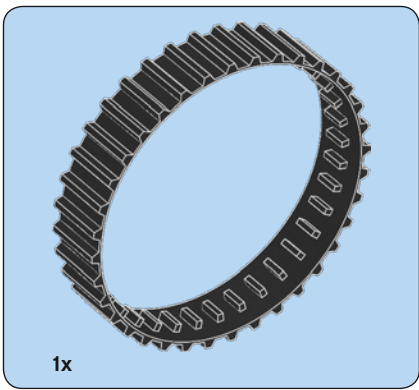


9



10

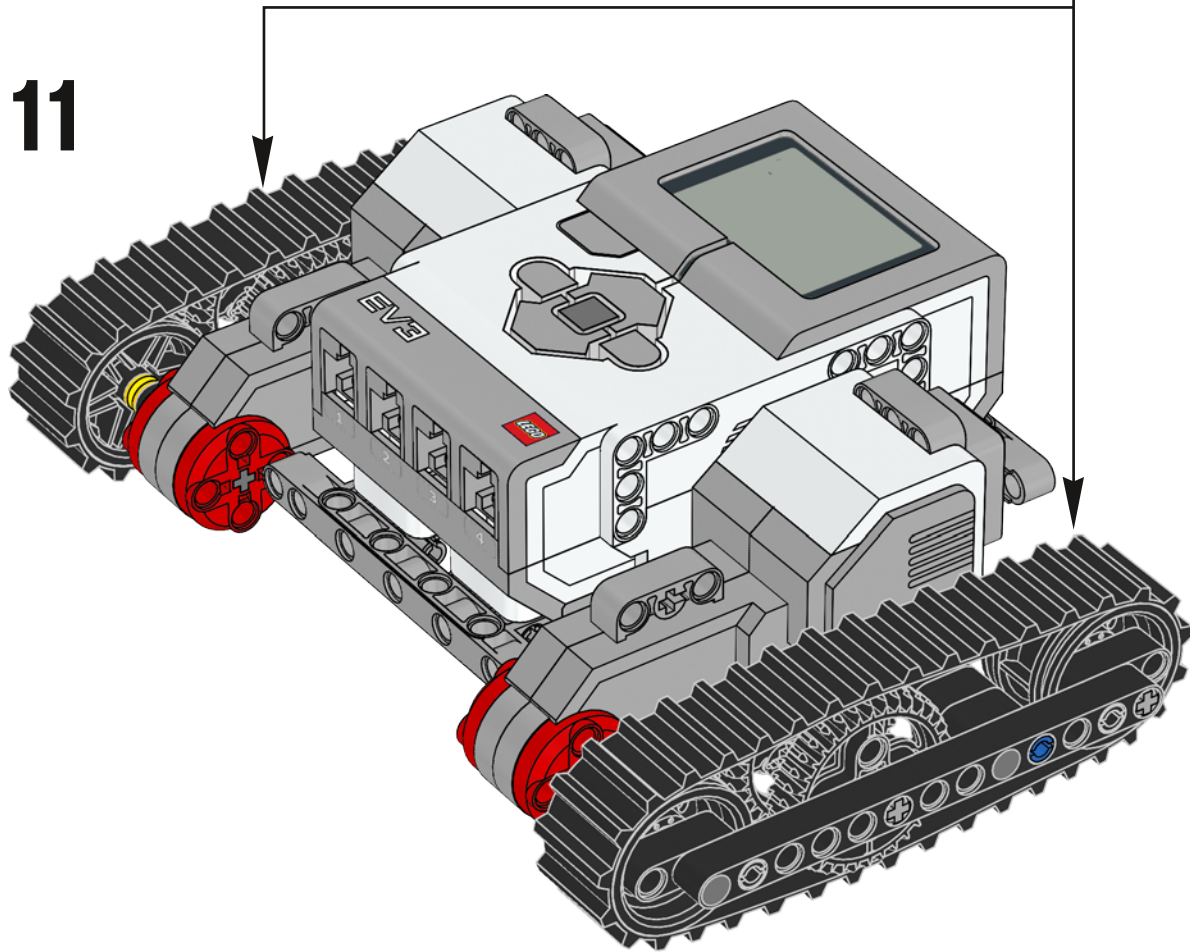


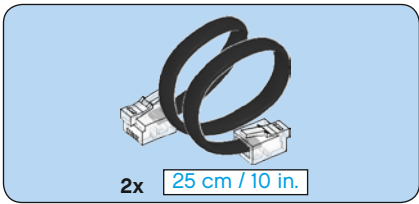


2x

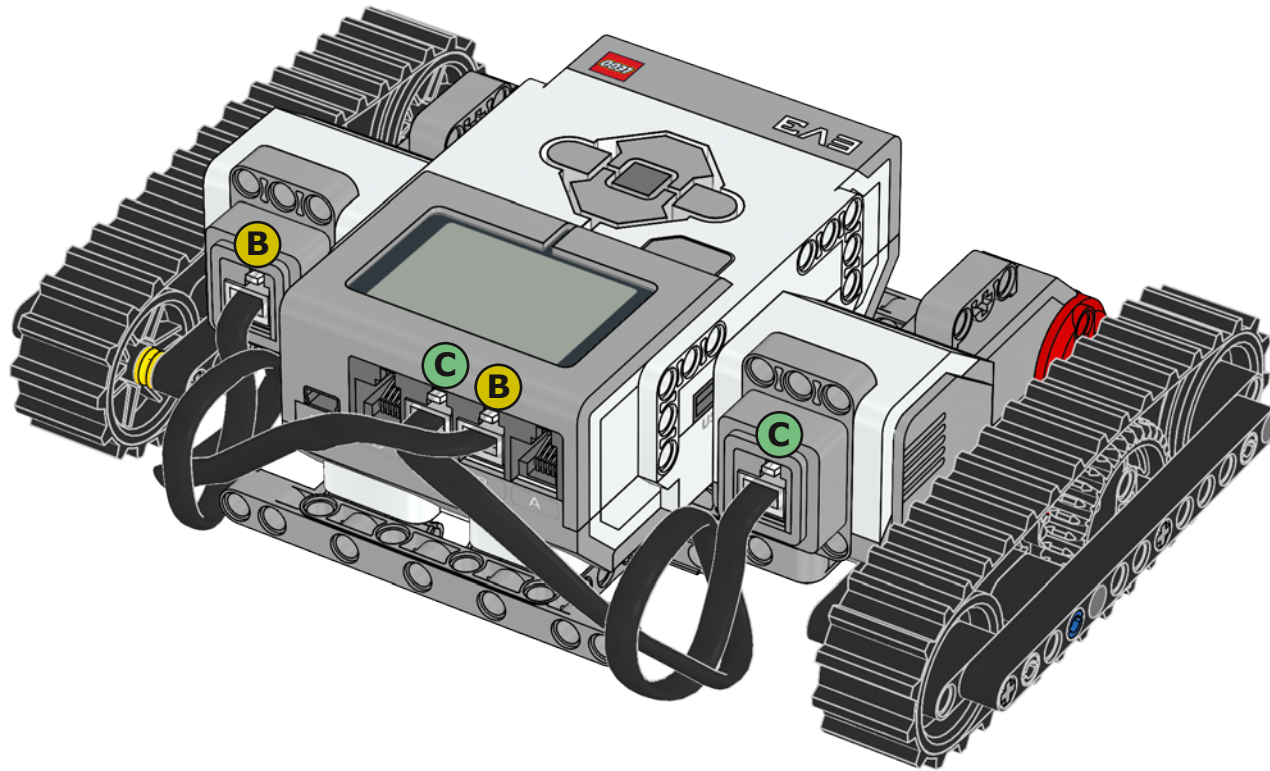
11

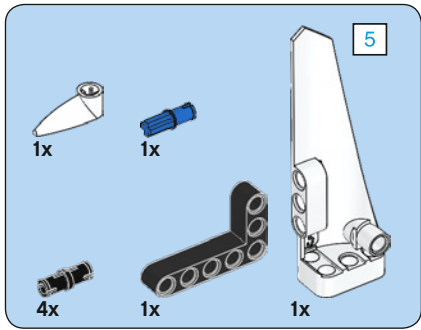
11



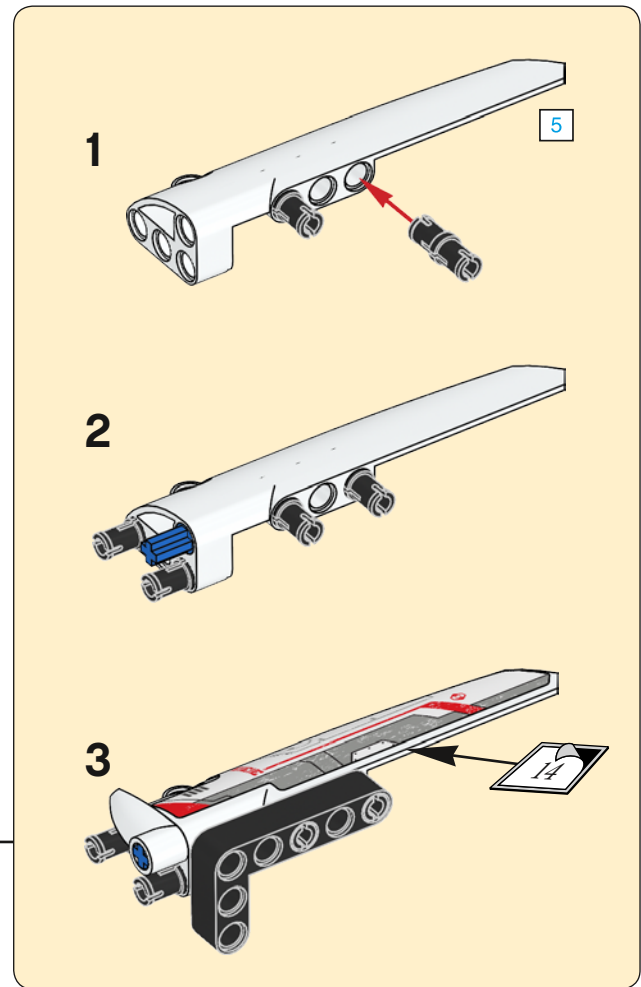
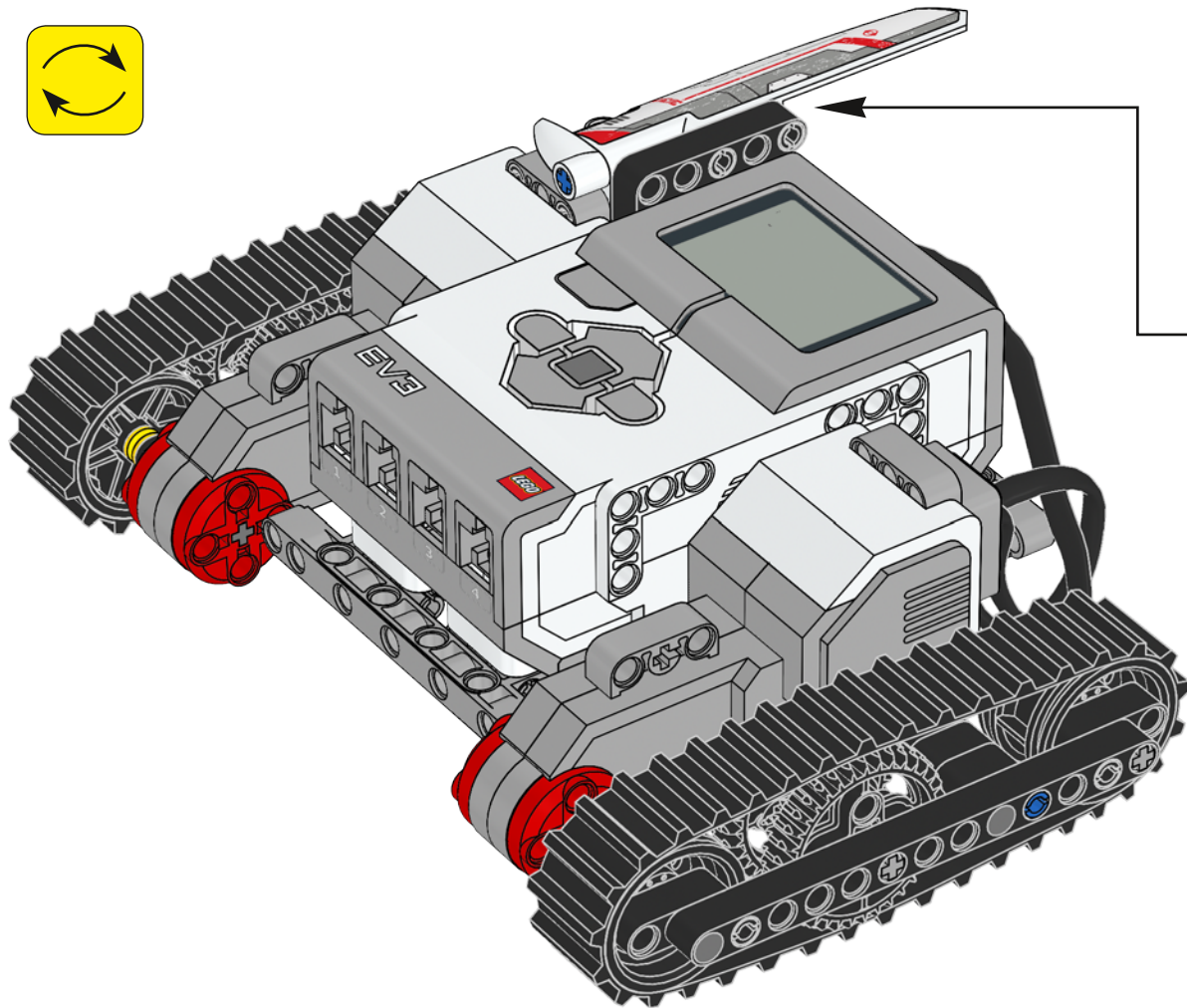


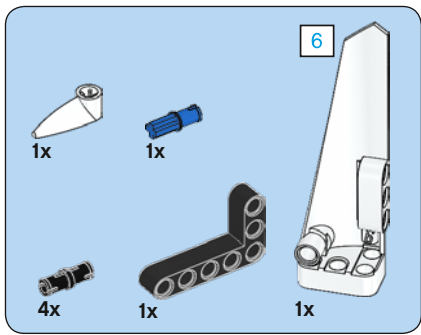
12



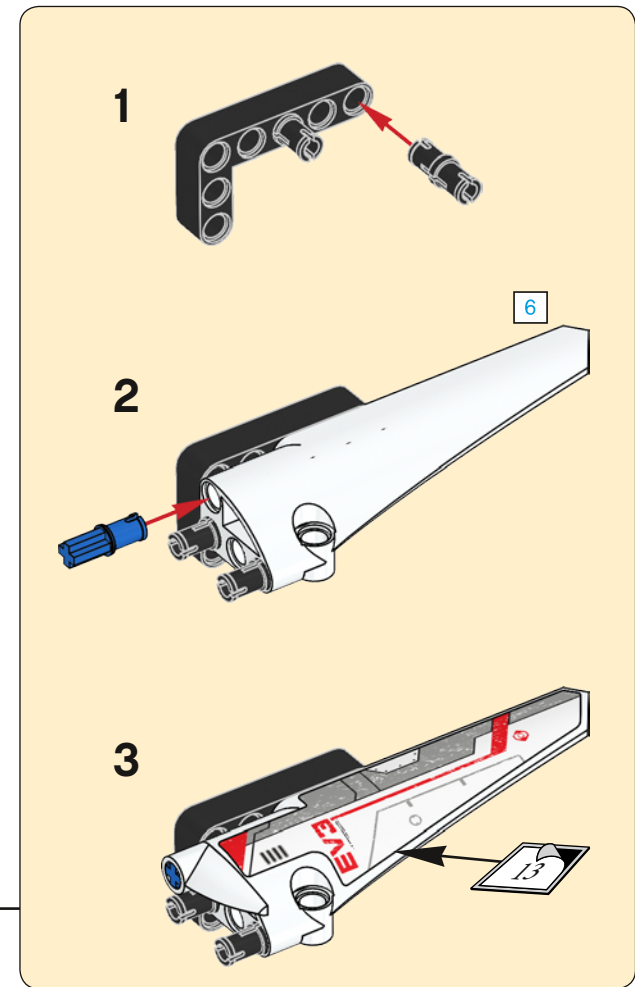
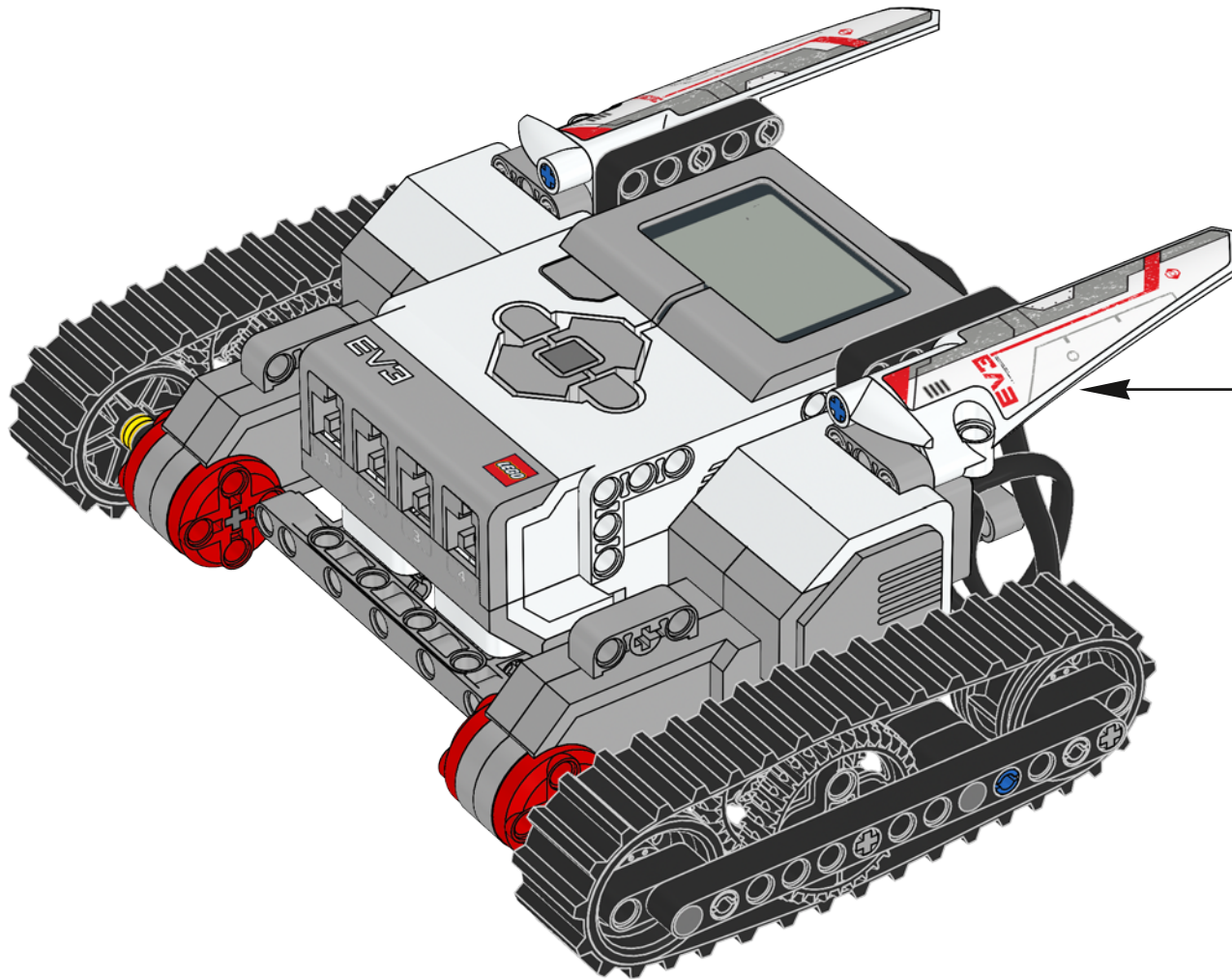


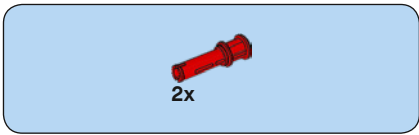
13



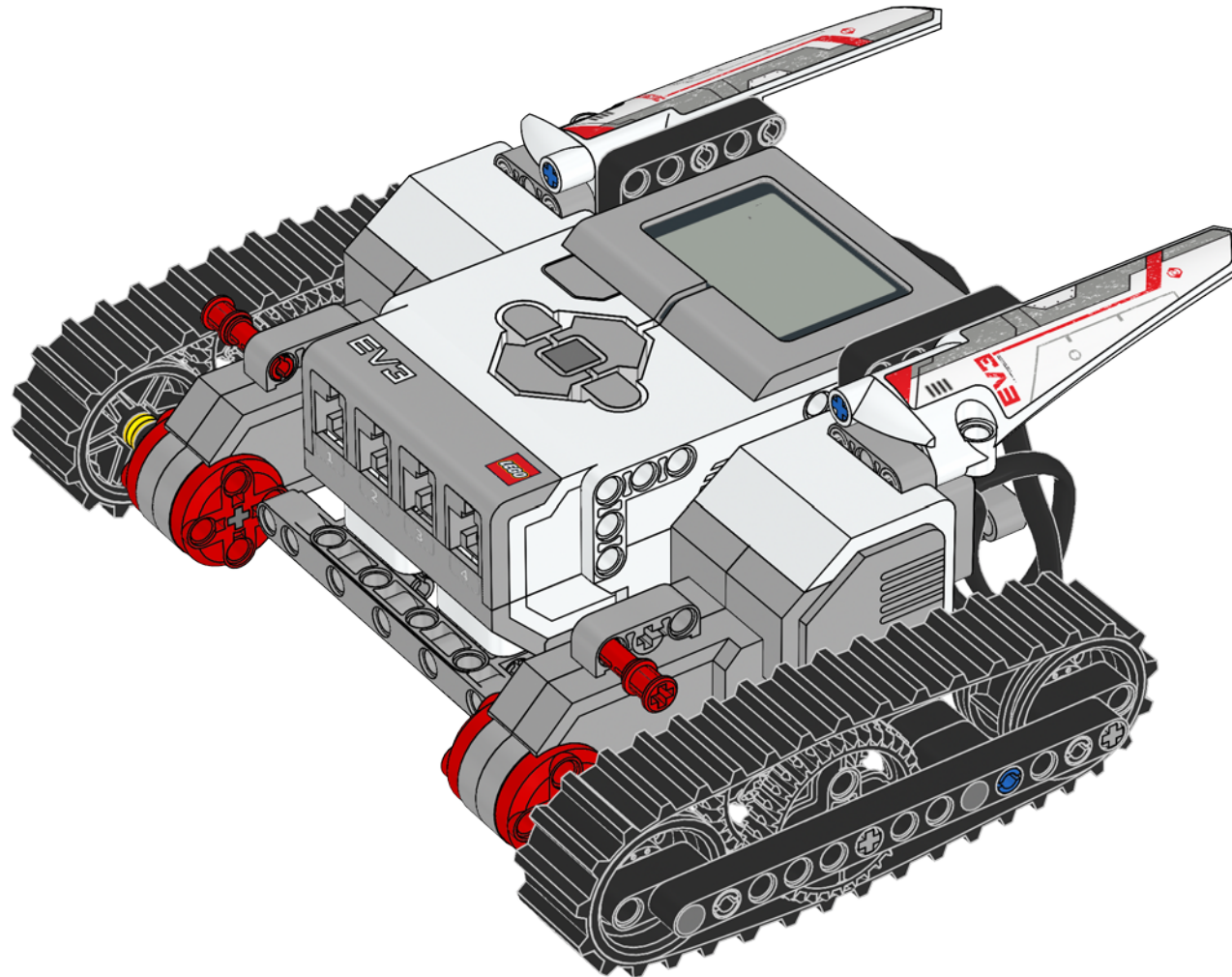


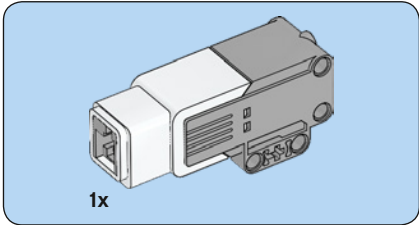
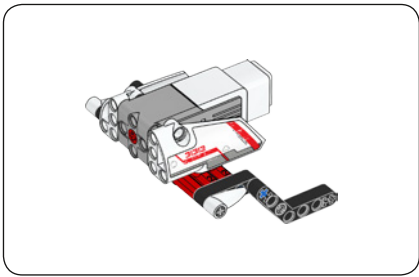
14



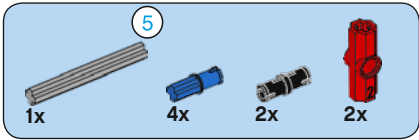
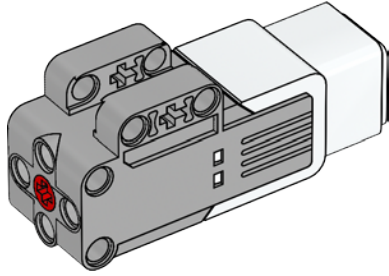


15

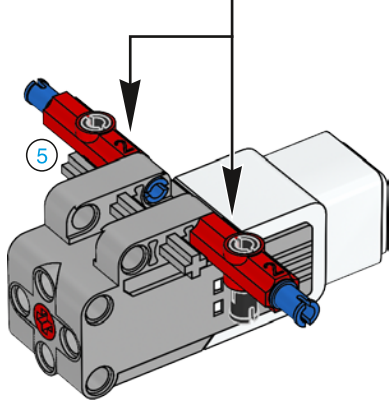
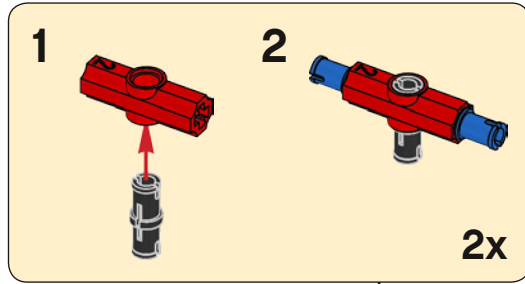


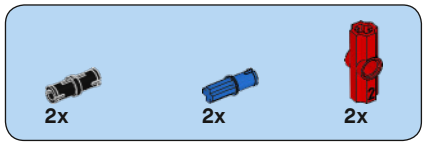


1

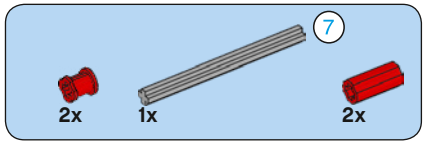
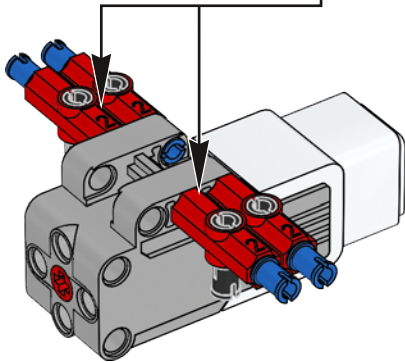
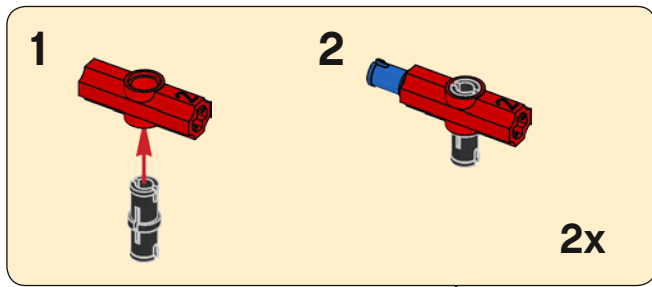


2

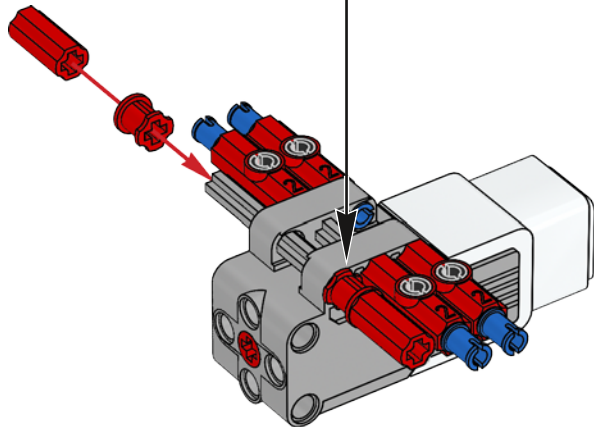
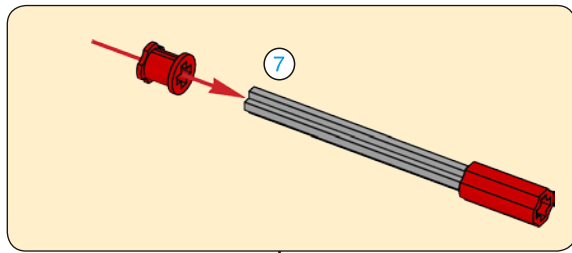


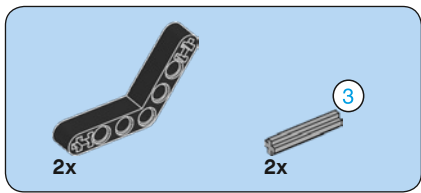


3

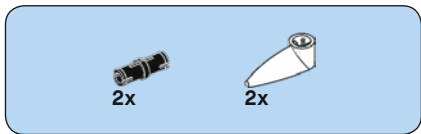
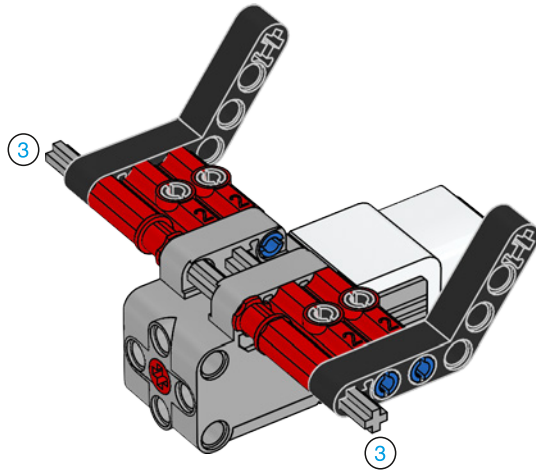


4

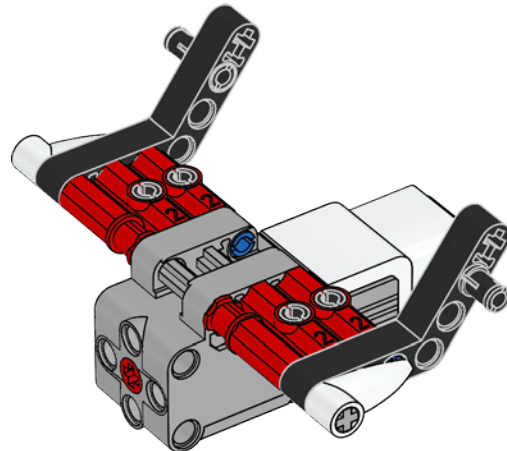


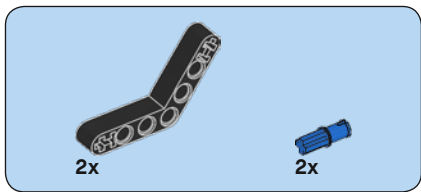


5

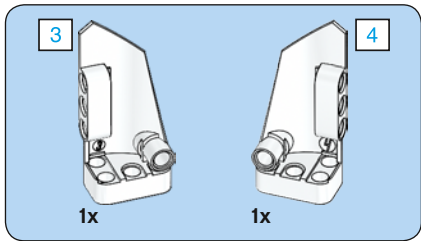
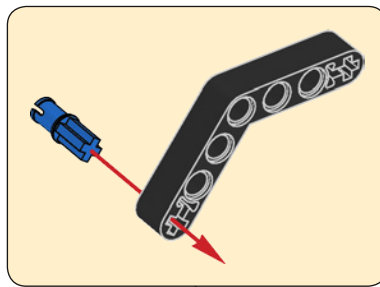
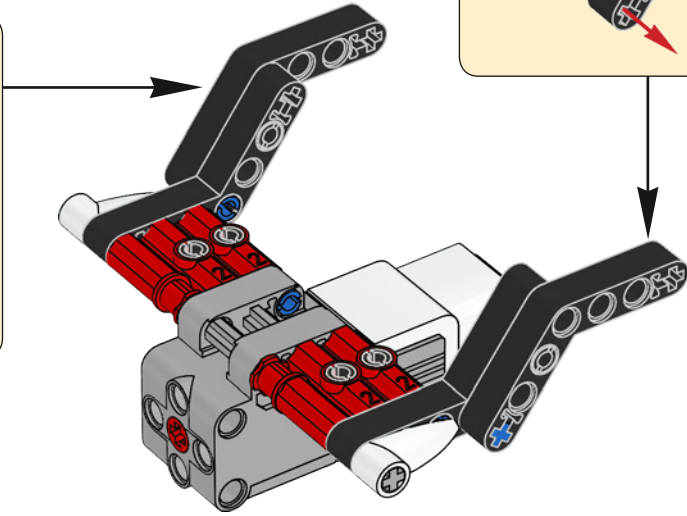
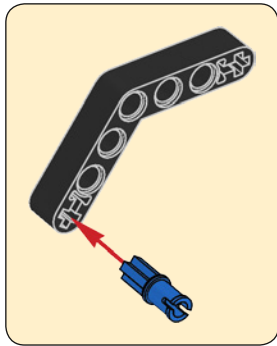


6

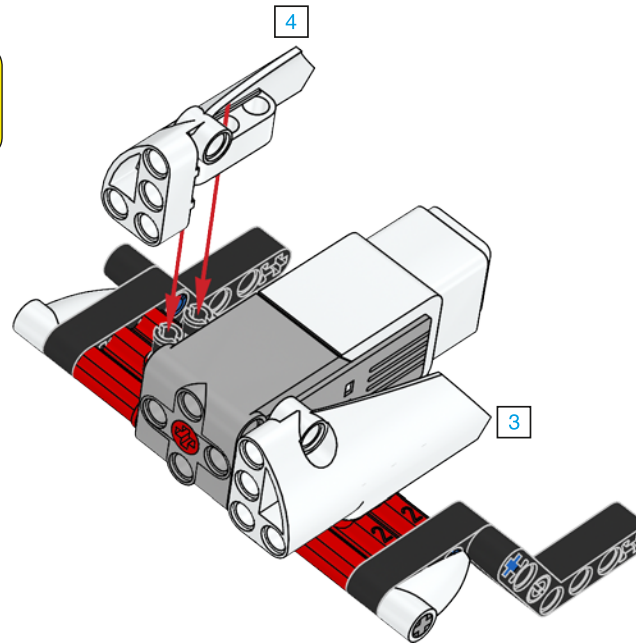


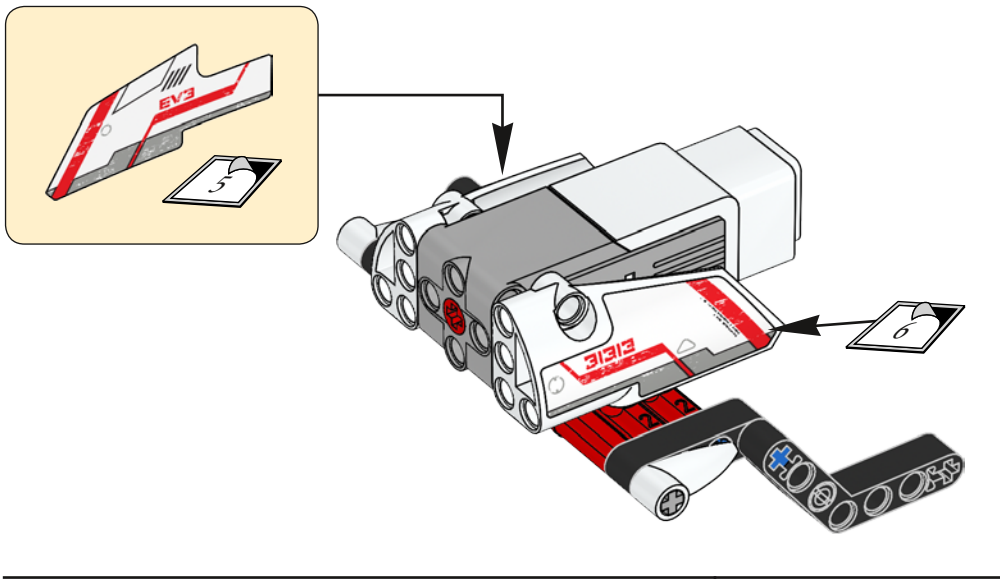


7

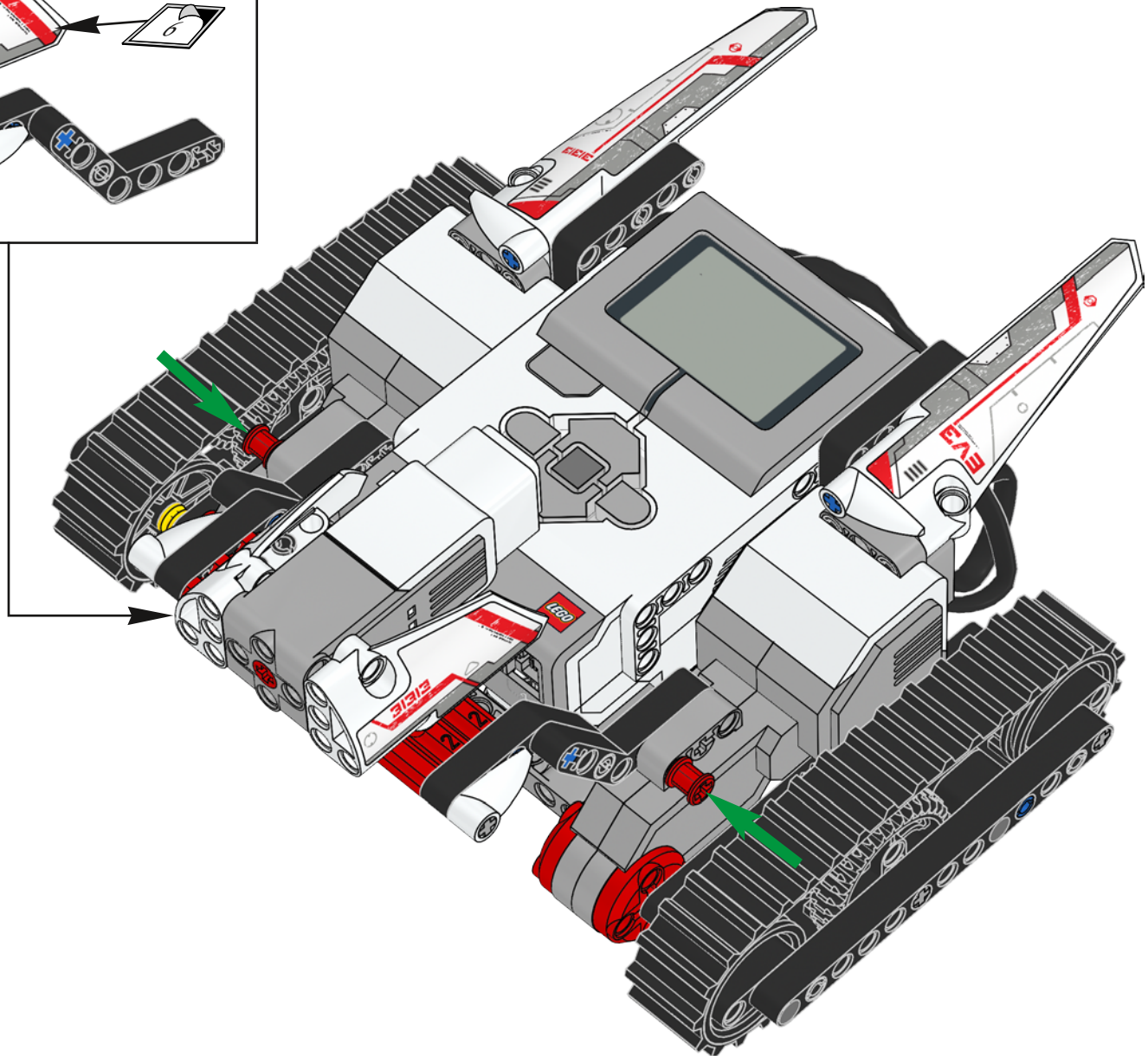


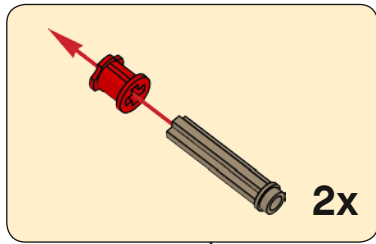
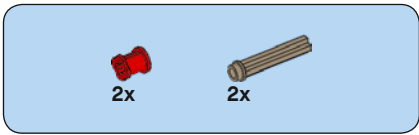
8



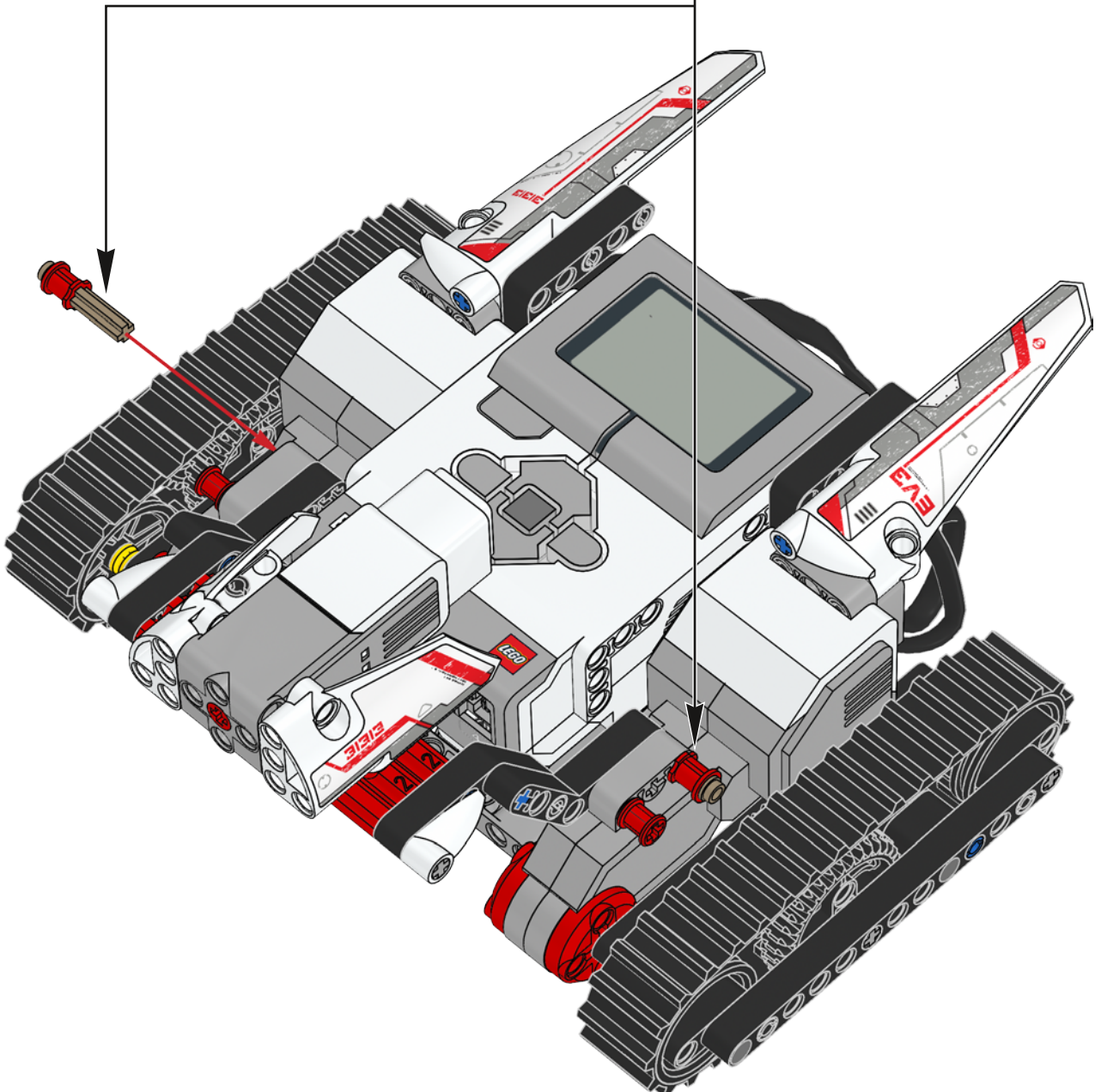


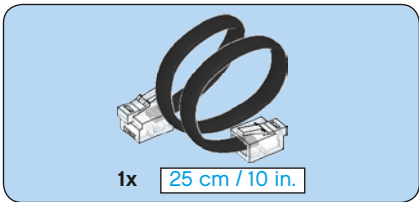
16



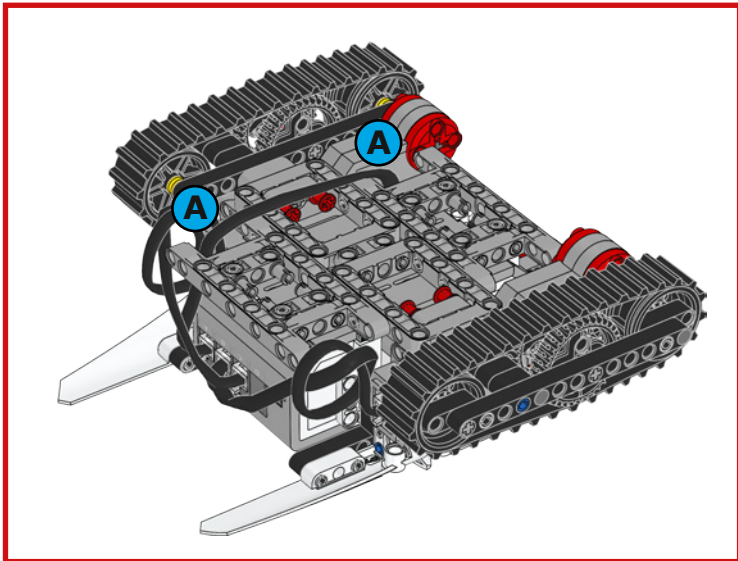
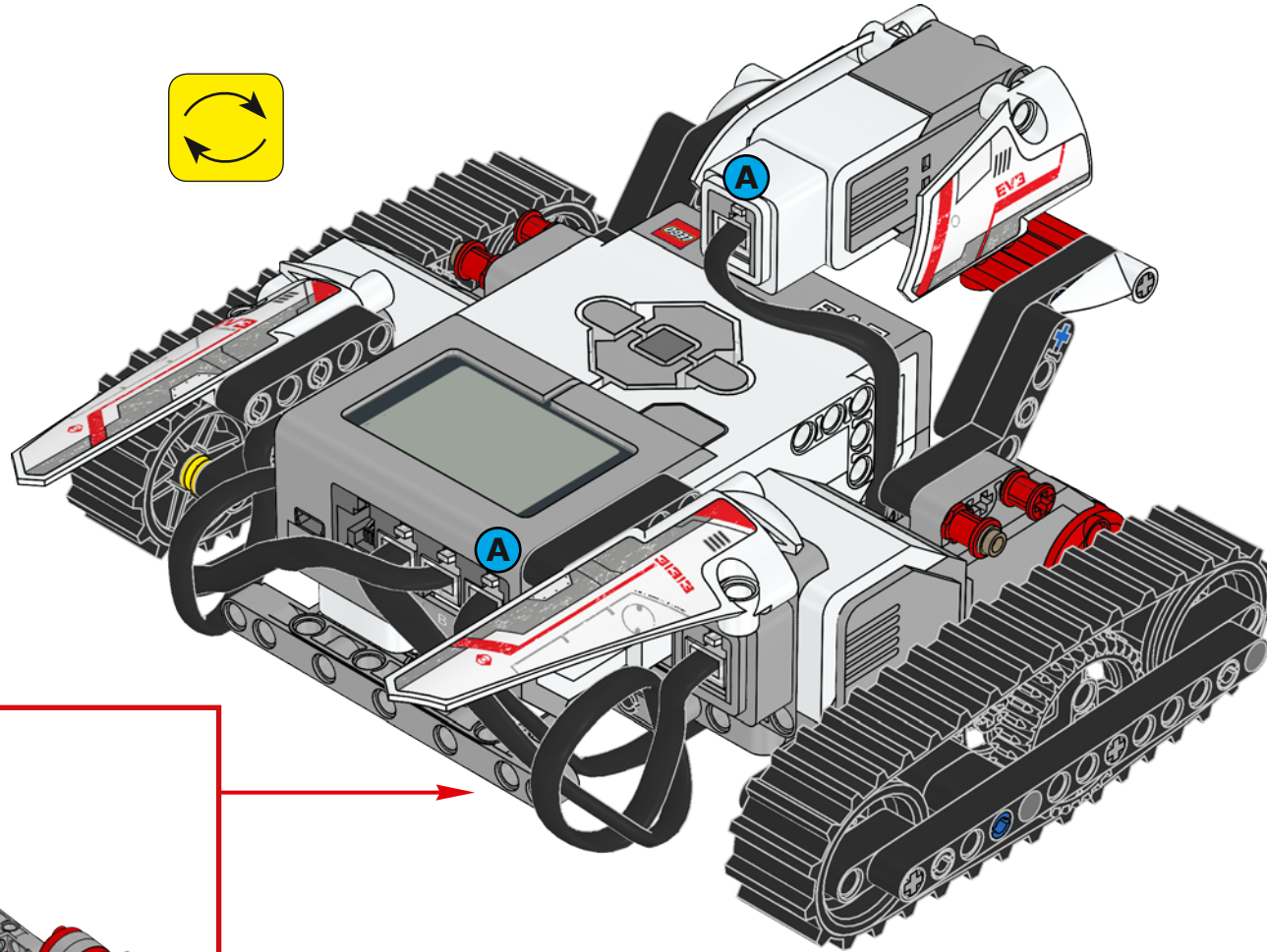


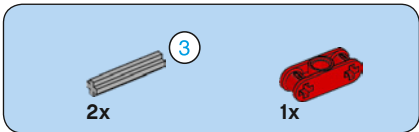
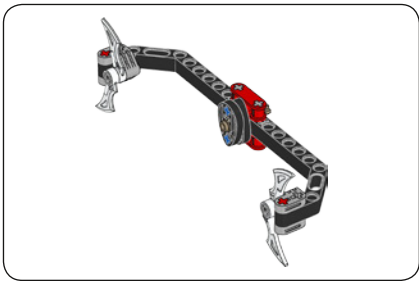
17



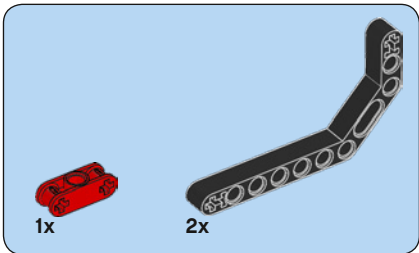
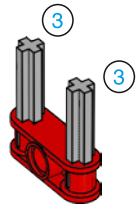


18

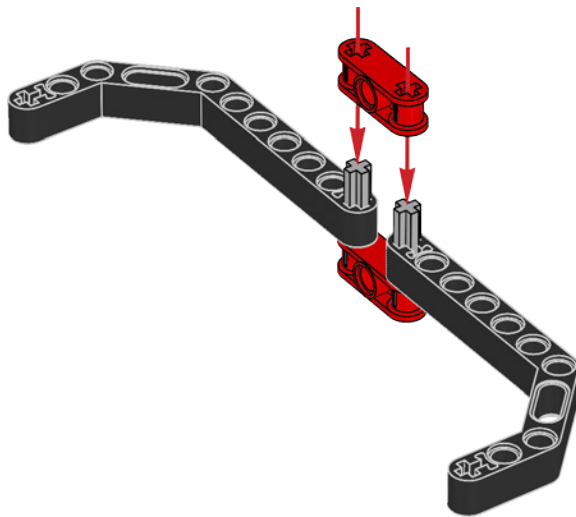


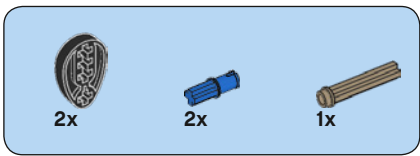


1

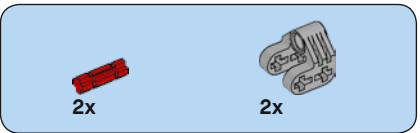
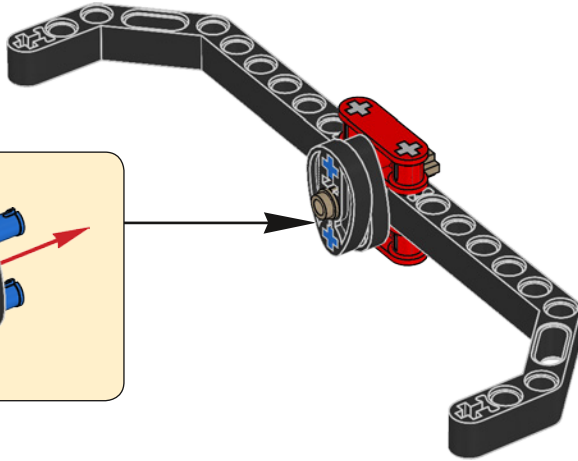
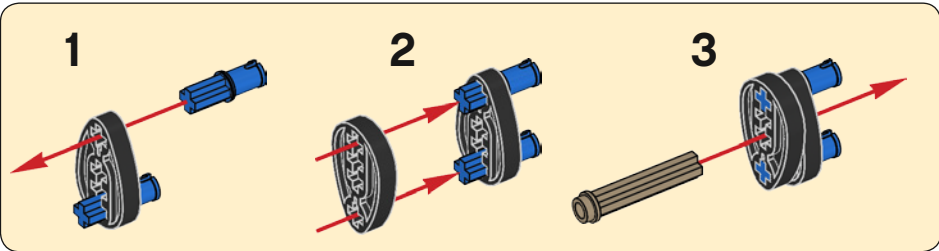


2

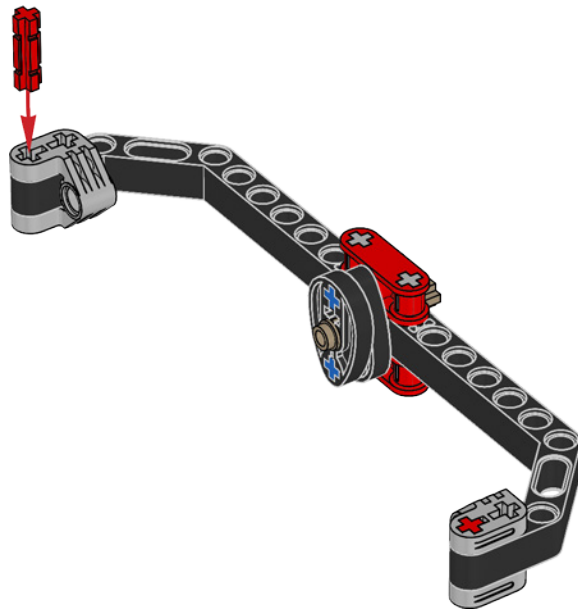


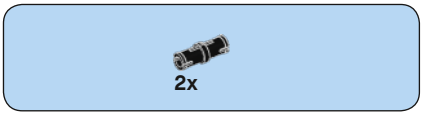


3

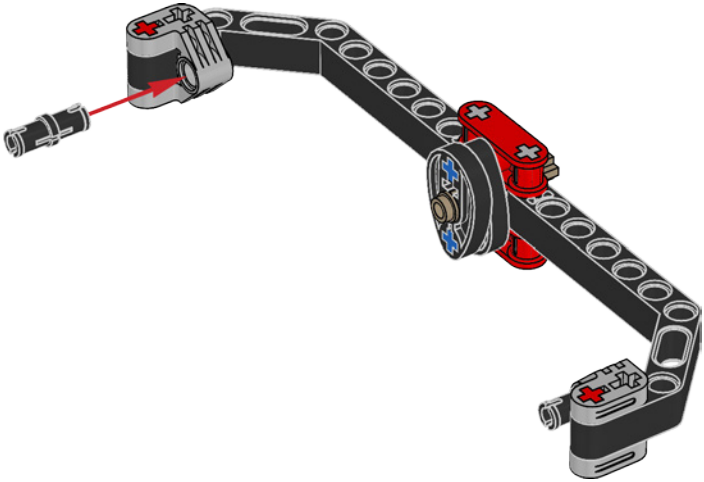


4

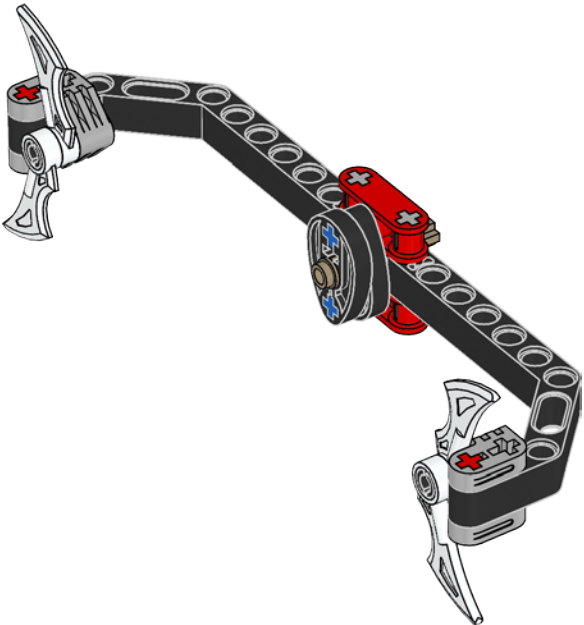




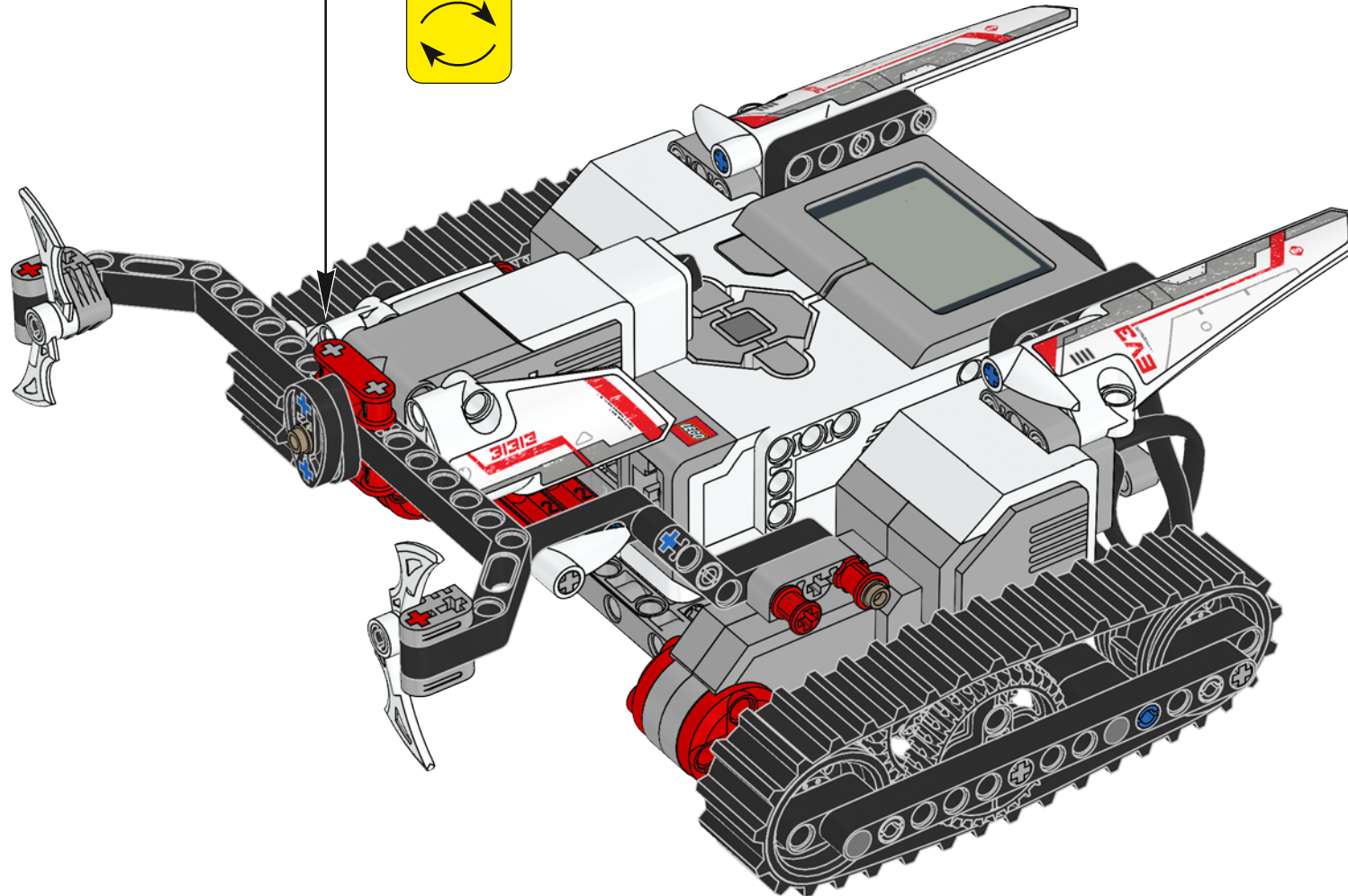
5

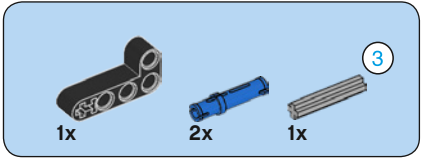
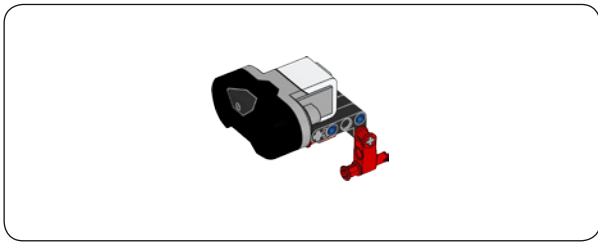


6

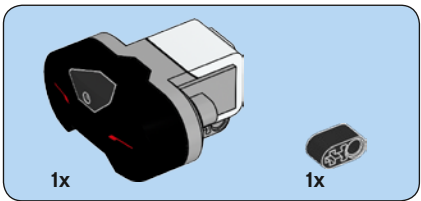
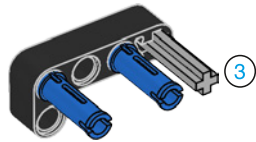


19

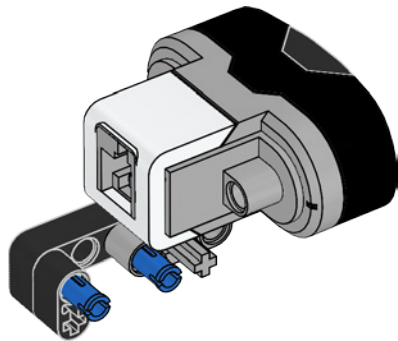


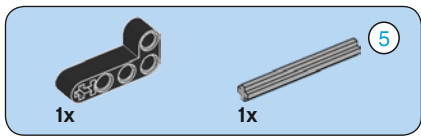


1

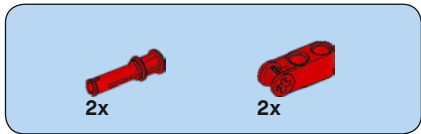
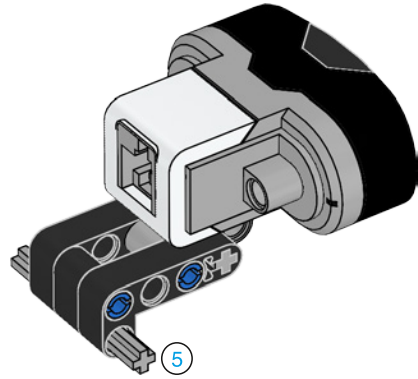


2

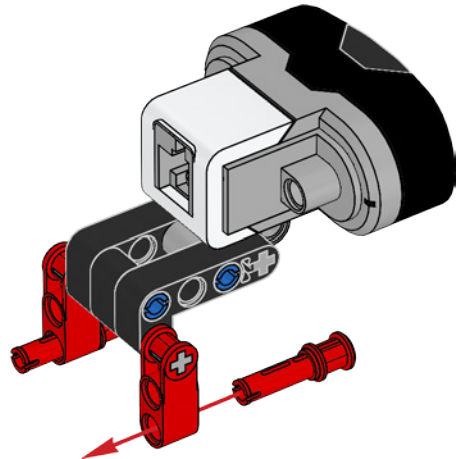




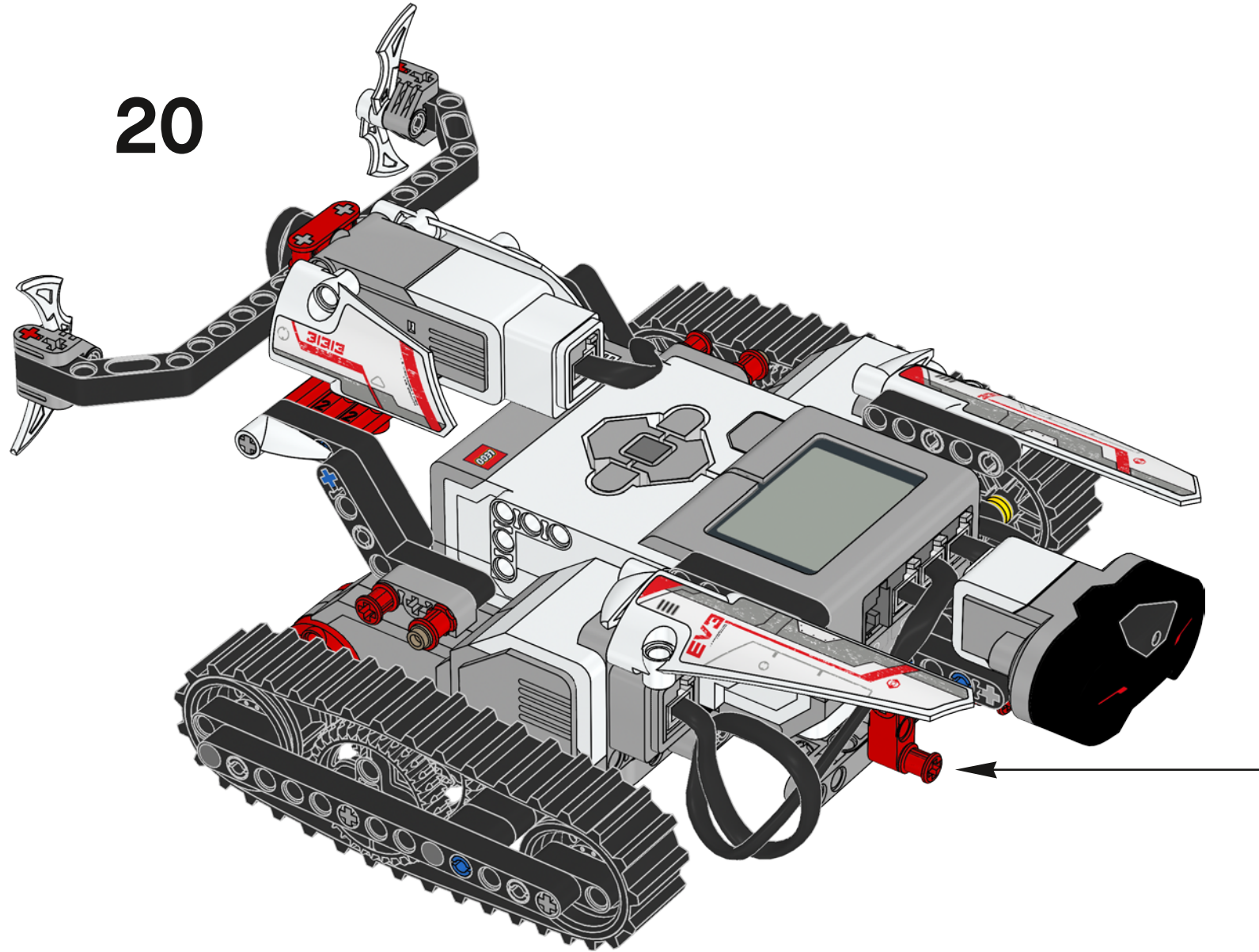
3

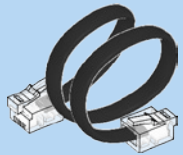


4



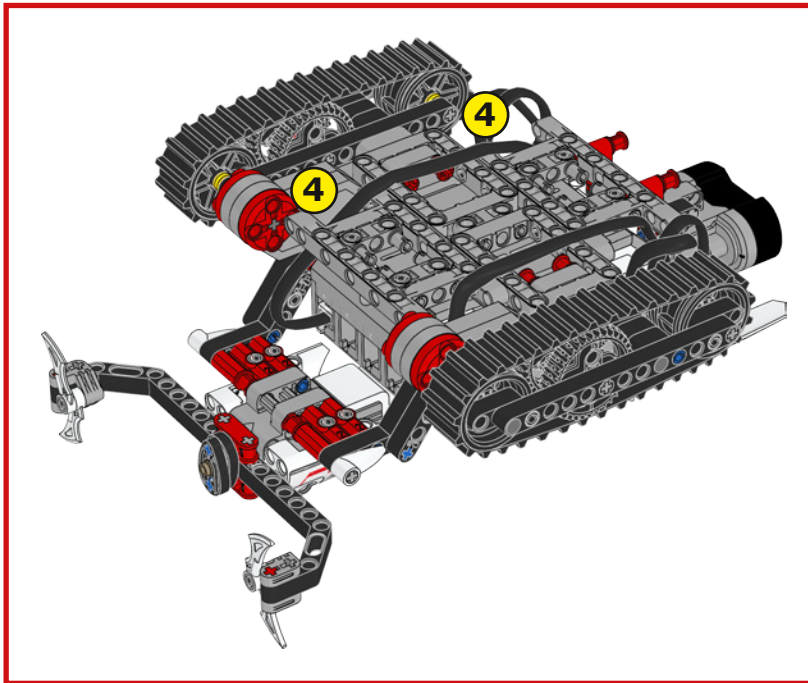
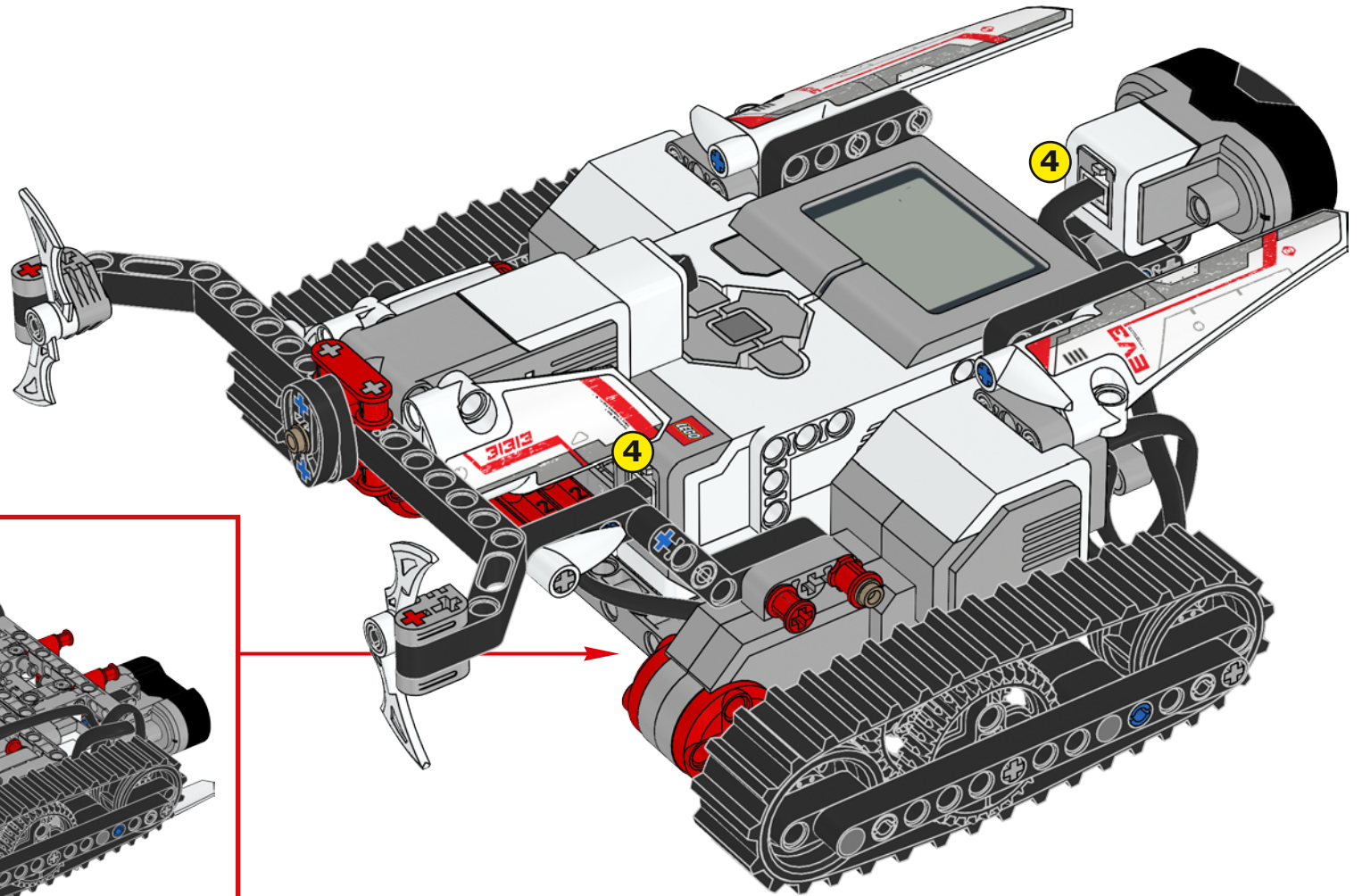
20

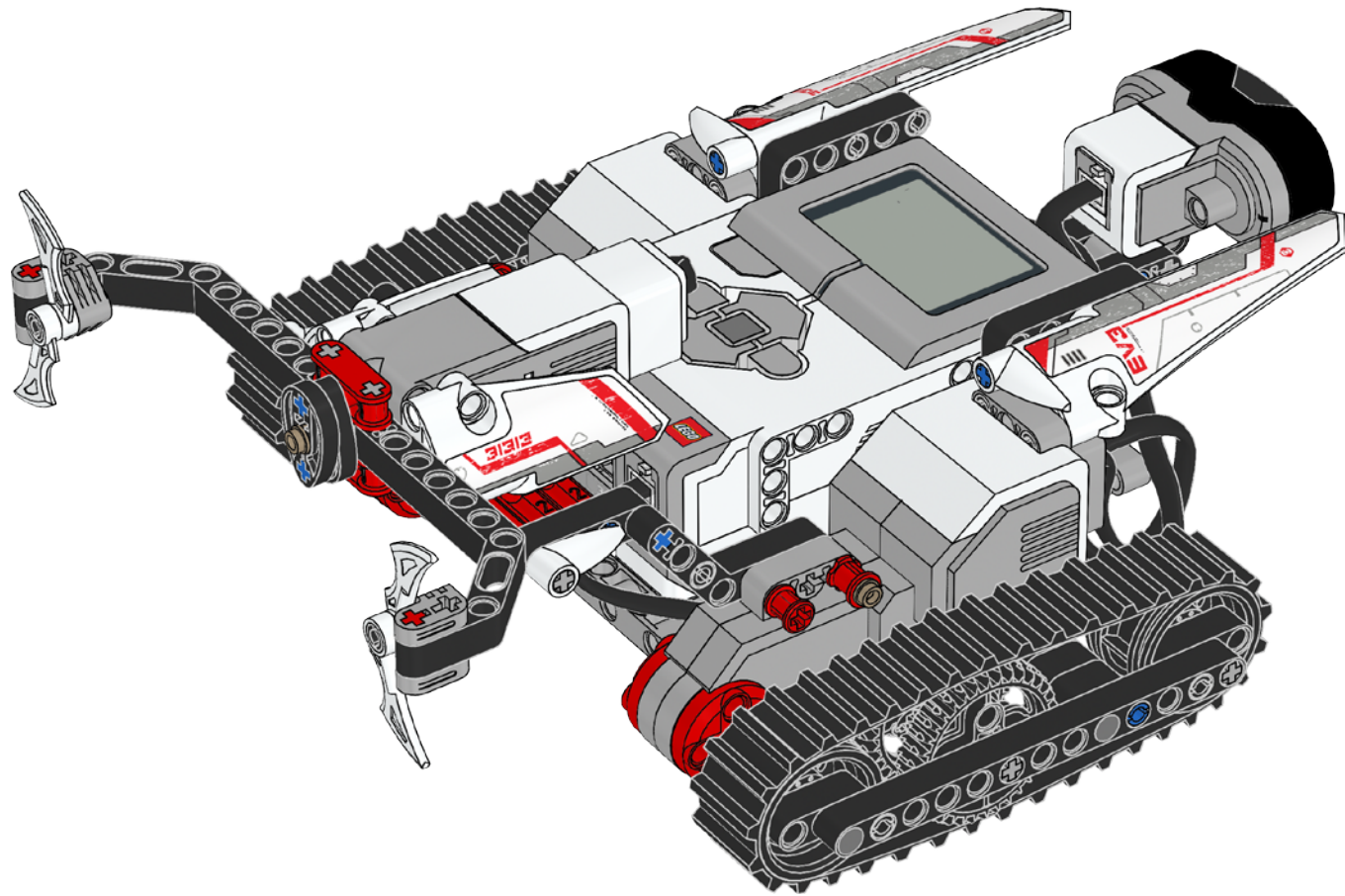




1x 25 cm / 10 in.

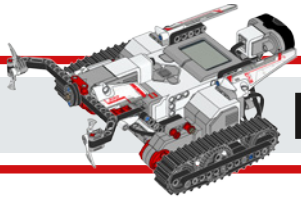
21



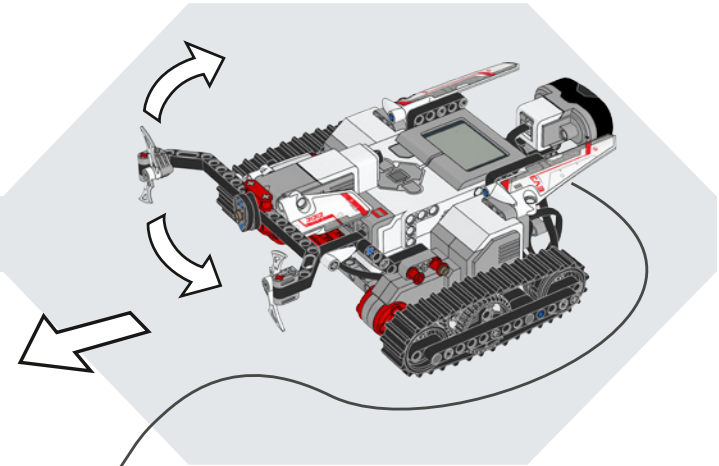




LEGO® MINDSTORMS®
EV3 Programmer
The LEGO Group



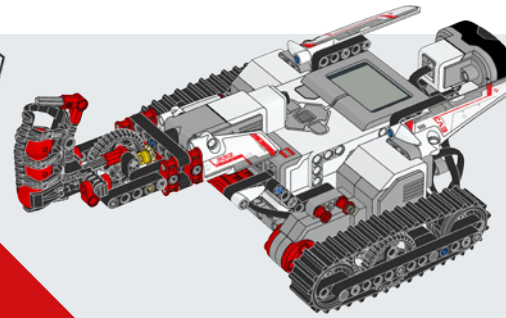
MISSION 01

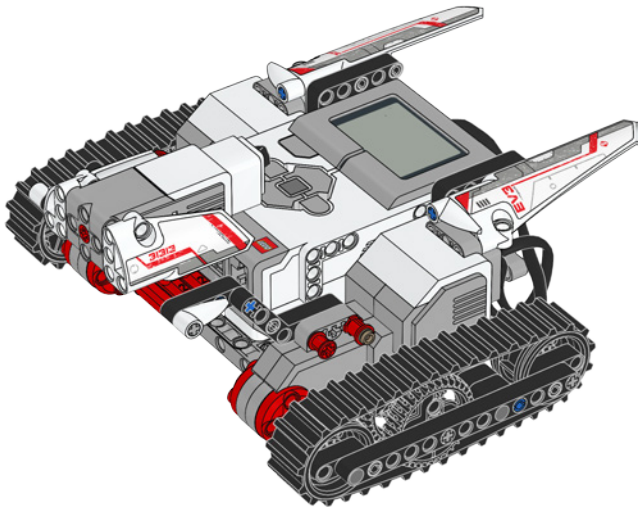


LEGO.com/mindstorms/software

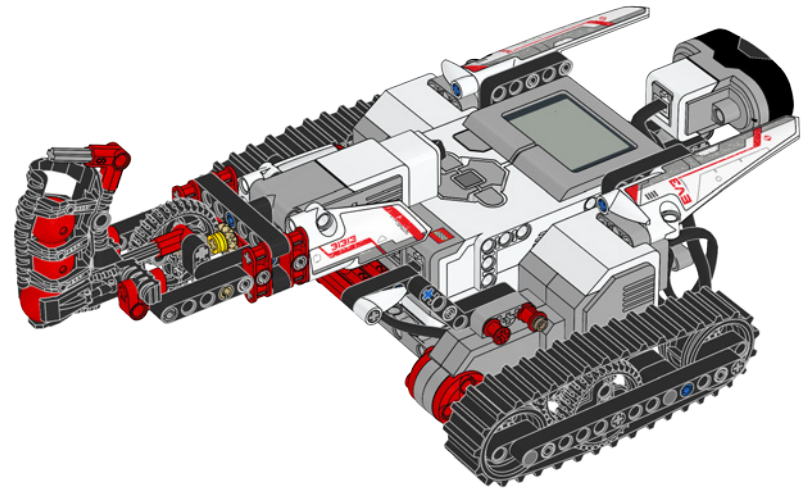
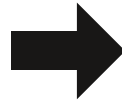
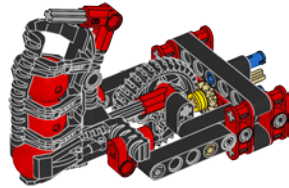


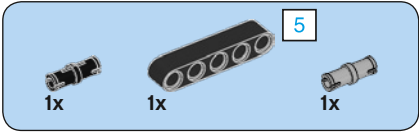
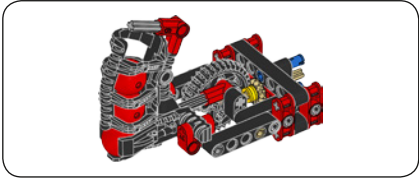
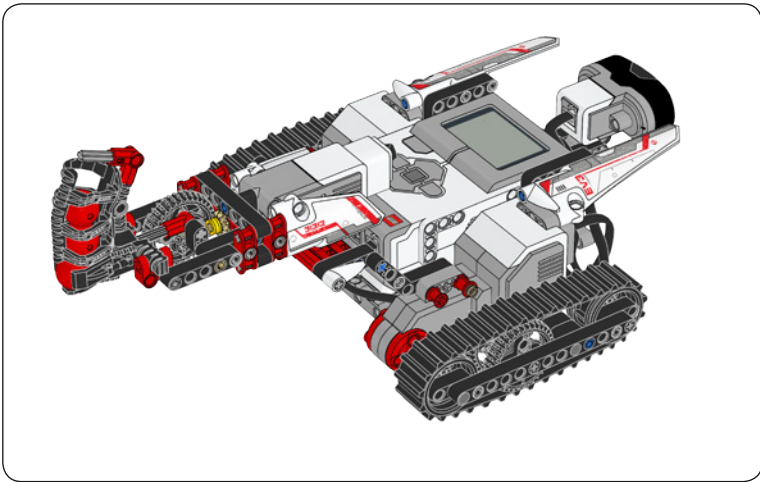
MISSION 02



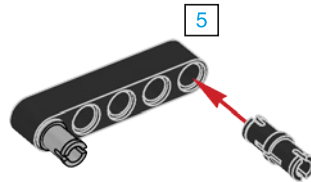


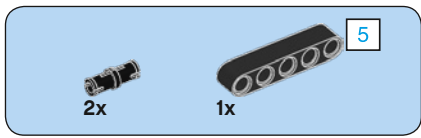
+



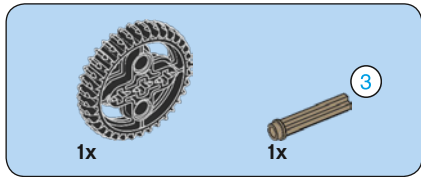
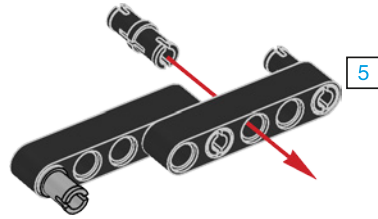


1

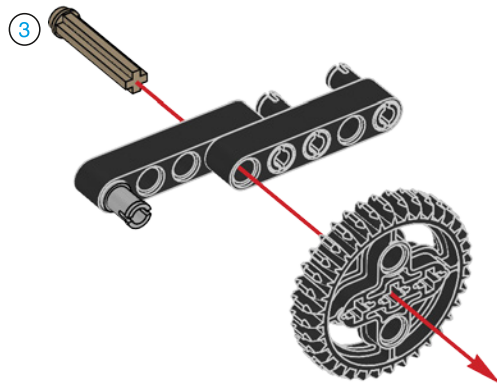


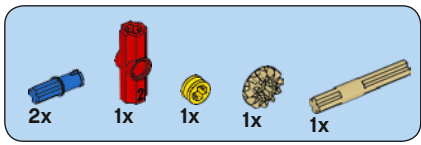


2

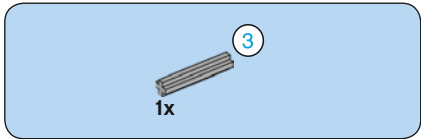
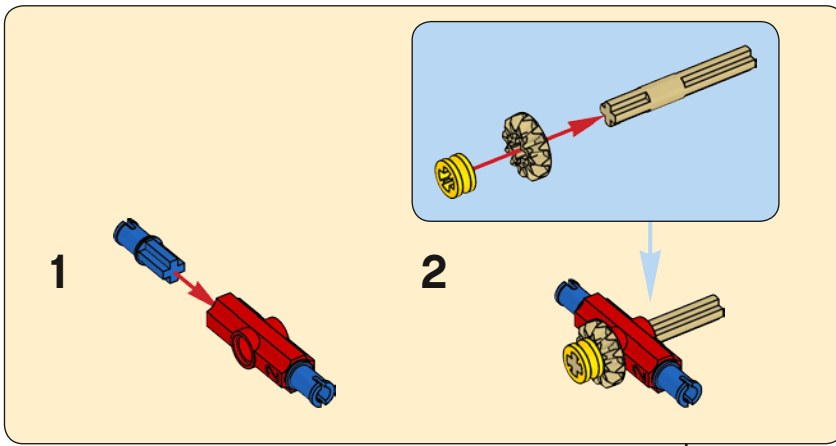


3



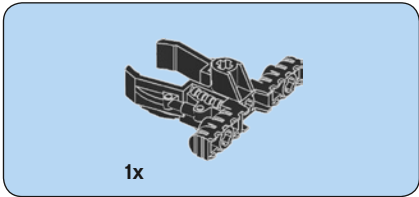
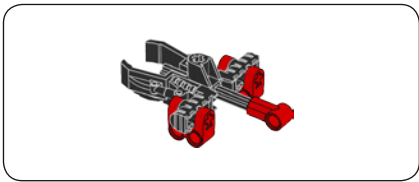


4

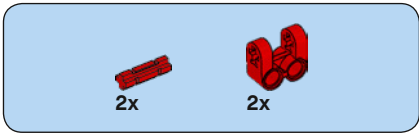
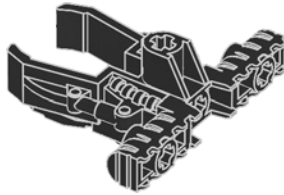


5

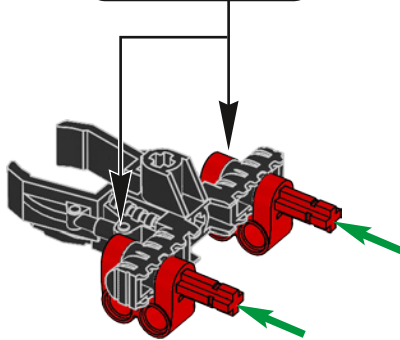
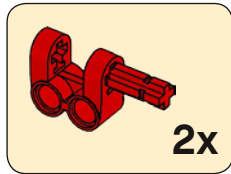


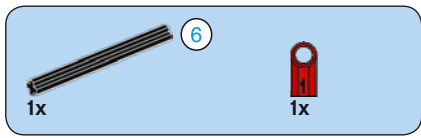


1

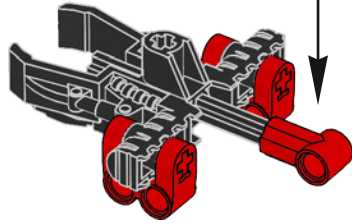
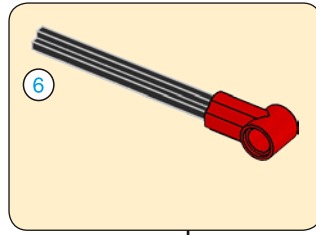


2

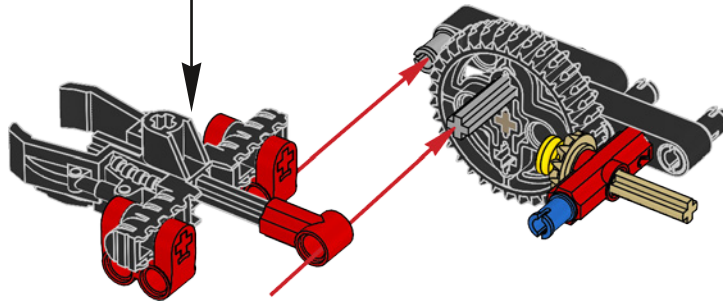


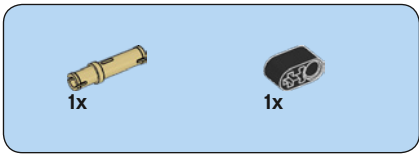


3

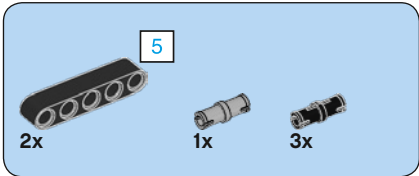
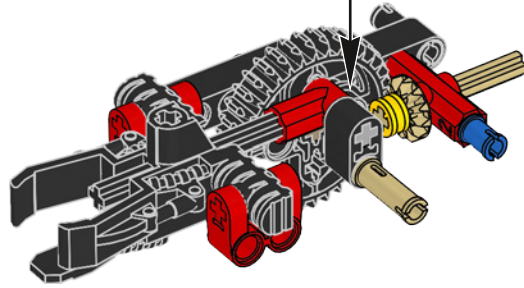
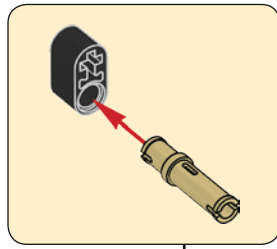


6

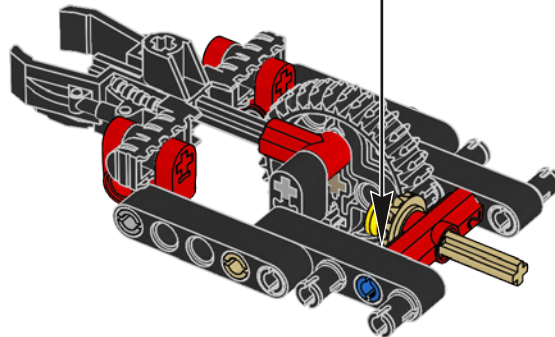
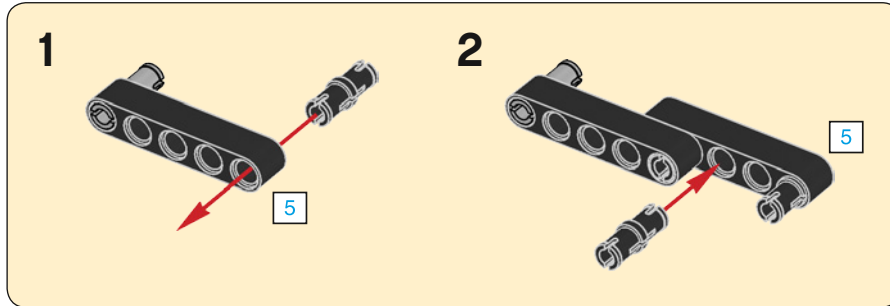


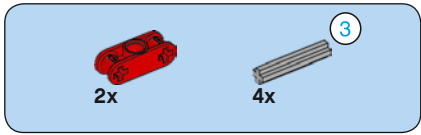


7

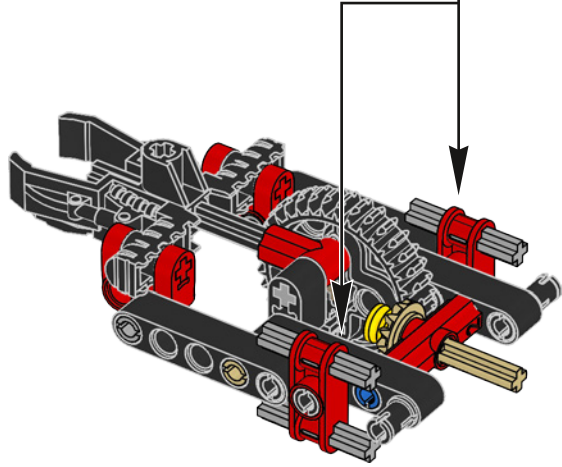
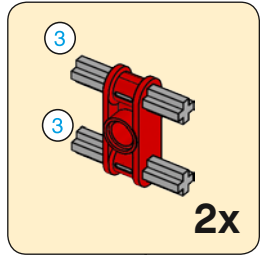


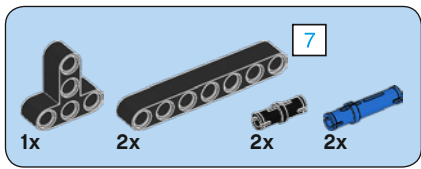
8



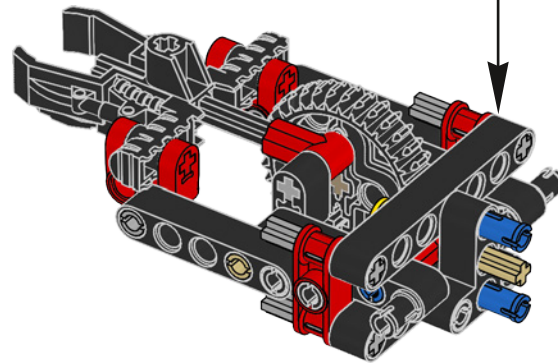
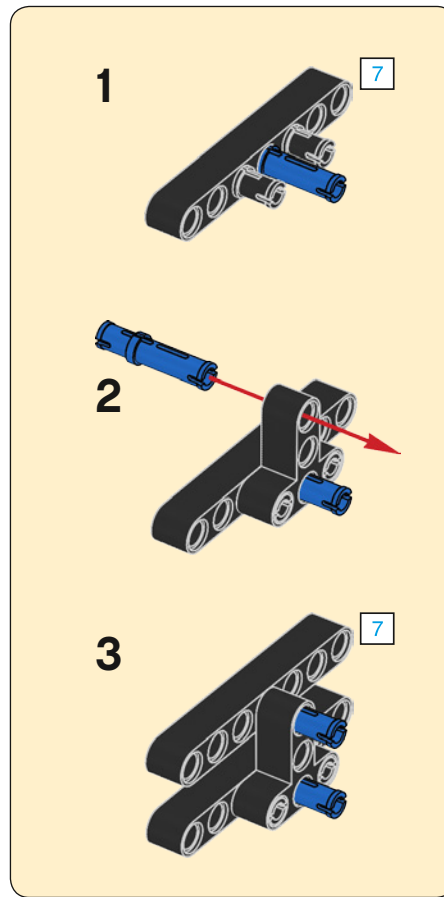


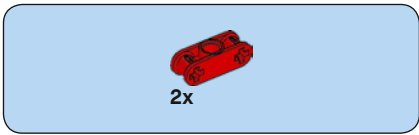
9



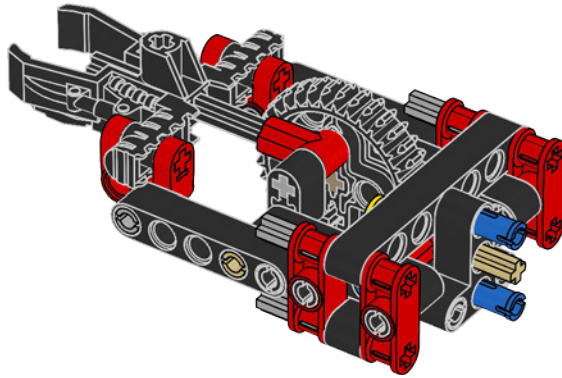


10

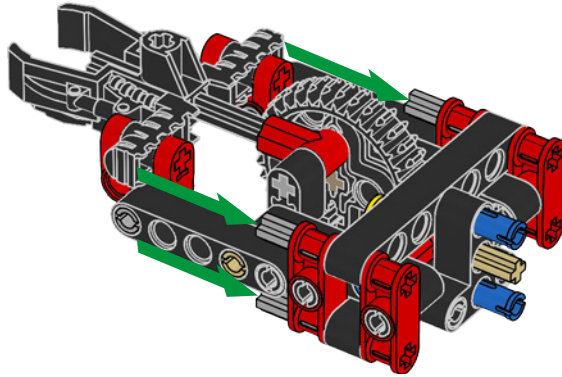


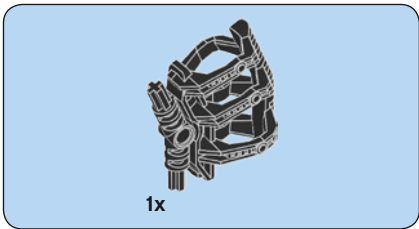


11

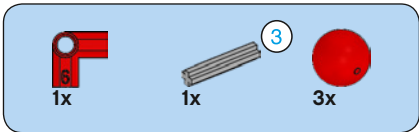
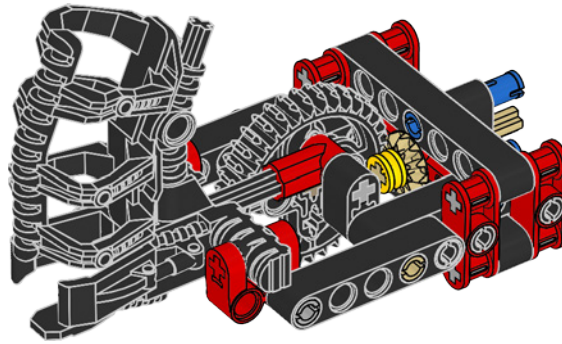


12

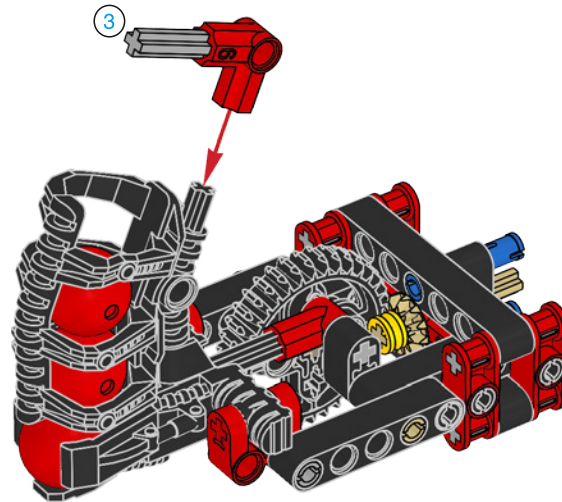




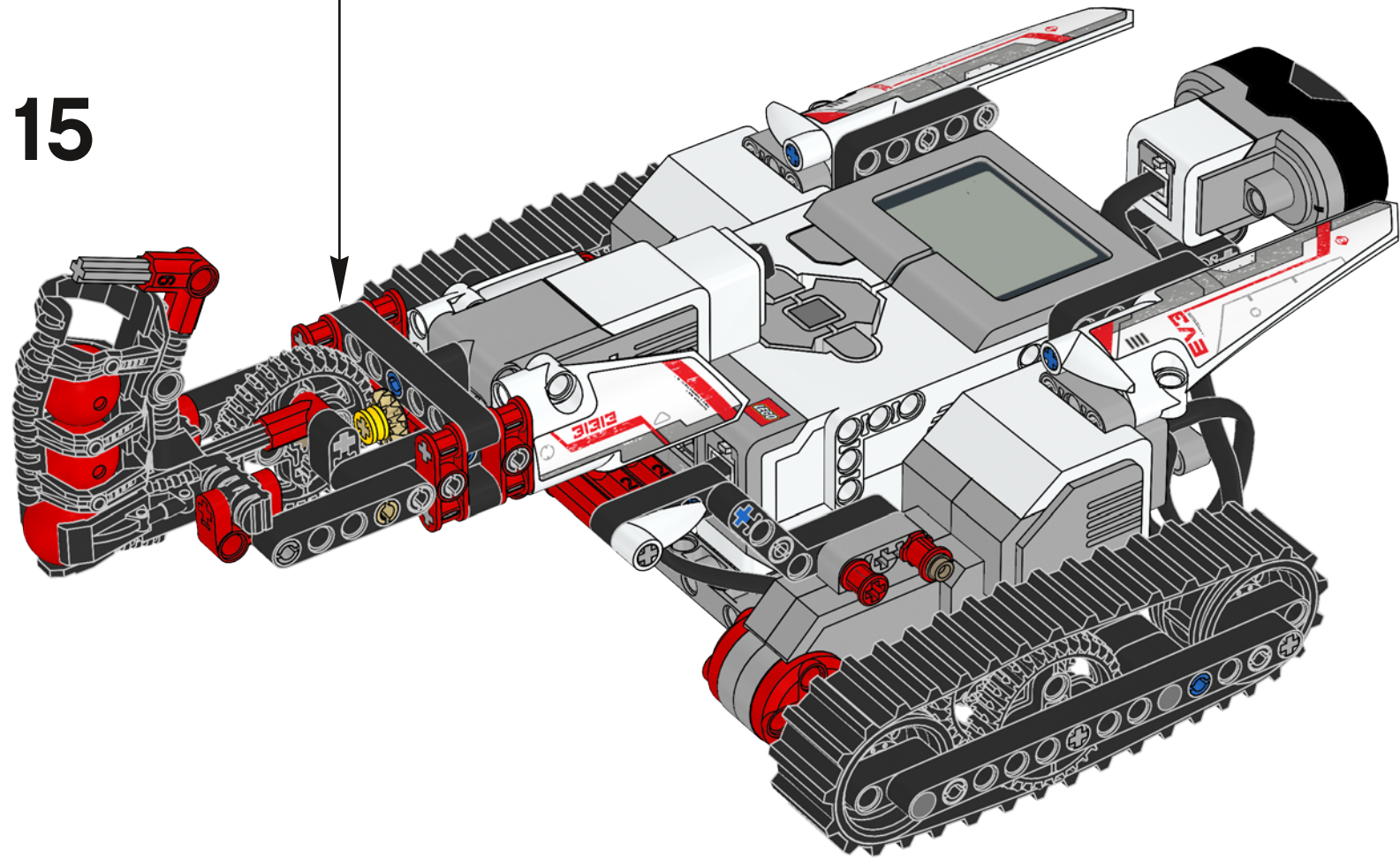
13

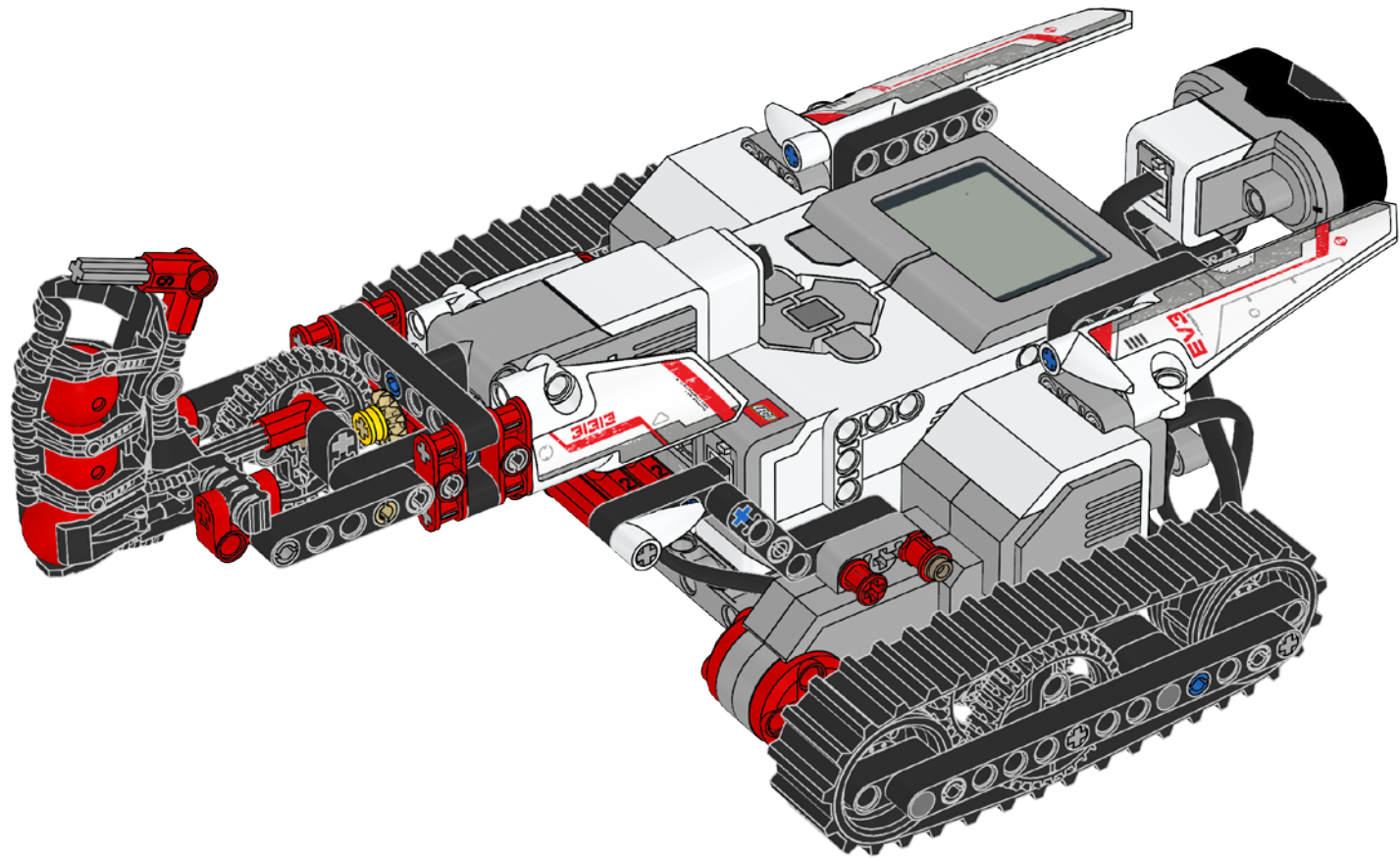


14



15







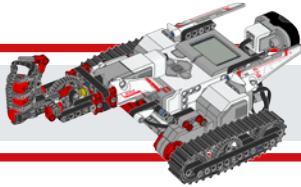
Download on the
App Store



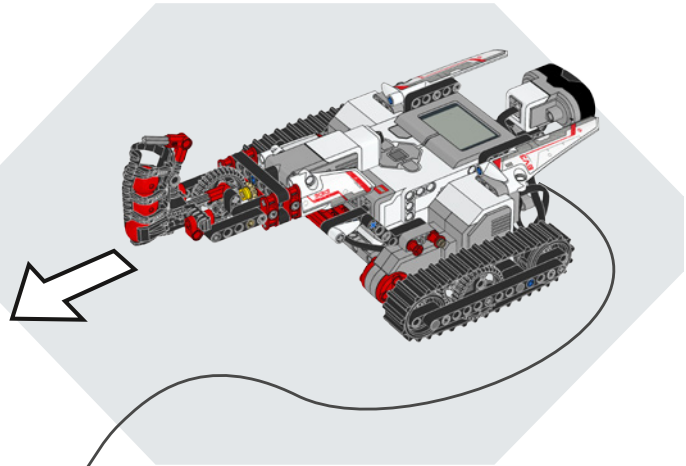
GET IT ON
Google play



LEGO® MINDSTORMS®
EV3 Programmer
The LEGO Group

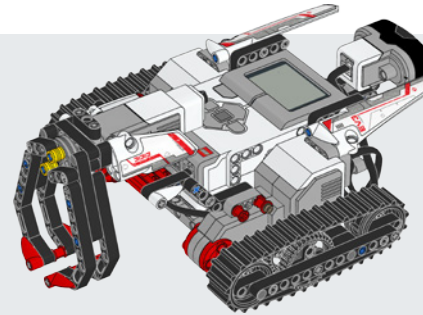


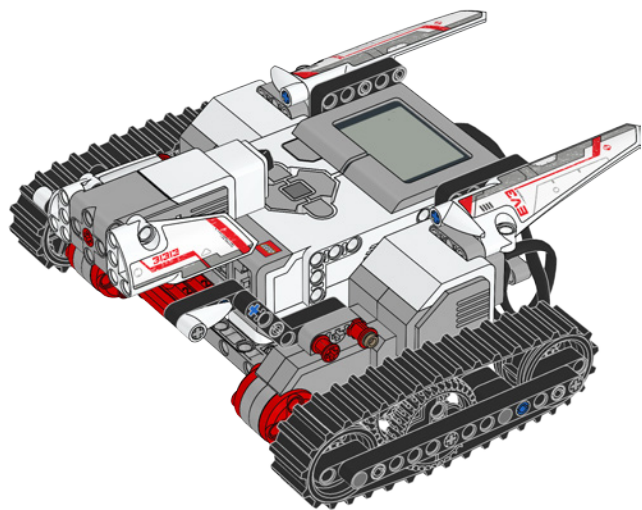
MISSION 02



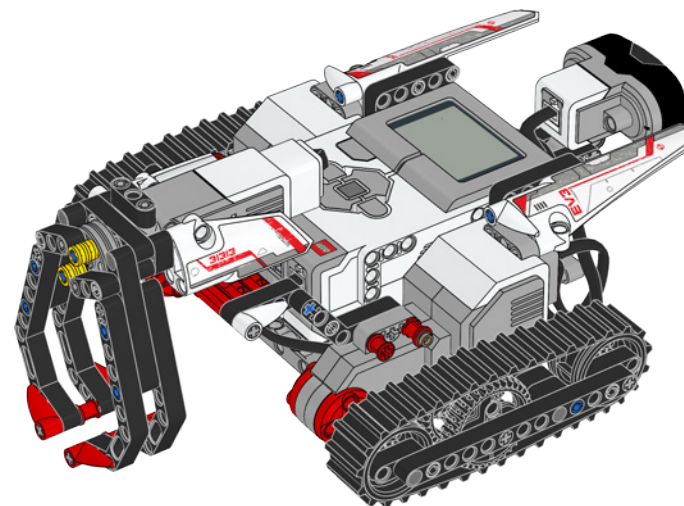
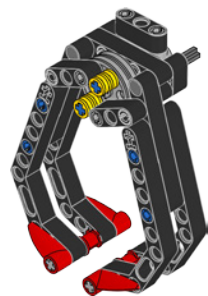
 LEGO.com/mindstorms/software

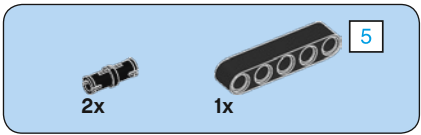
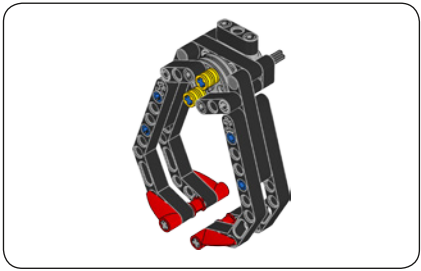
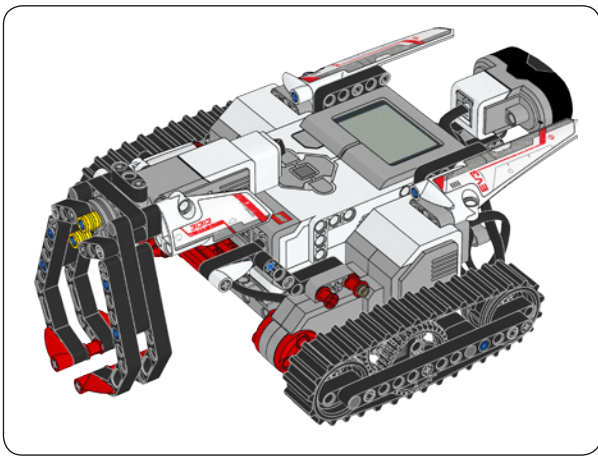
MISSION 03



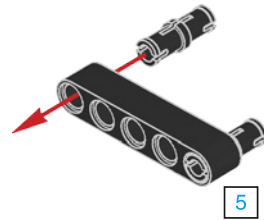


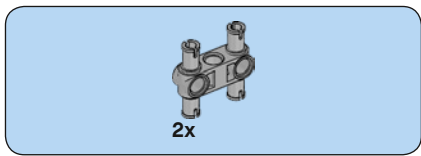
+



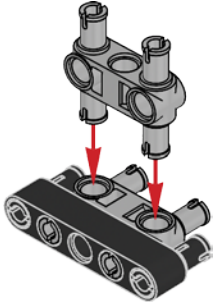


1

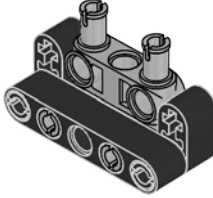


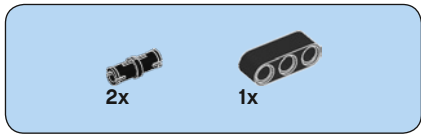


2

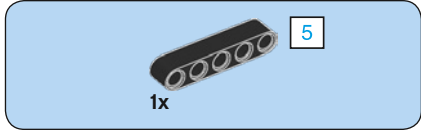
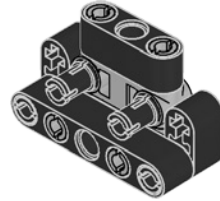


3

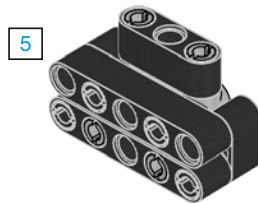


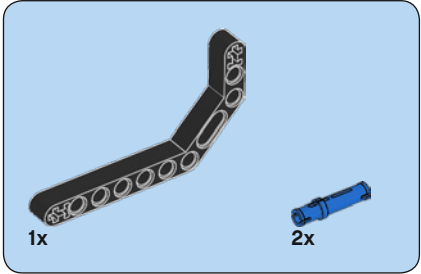
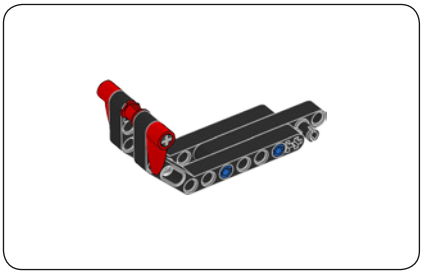


4

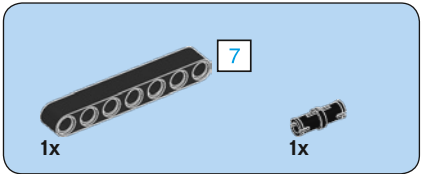
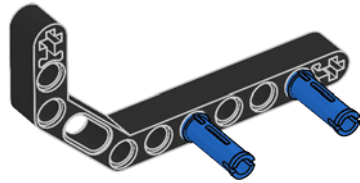


5

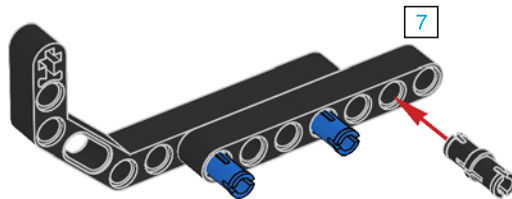


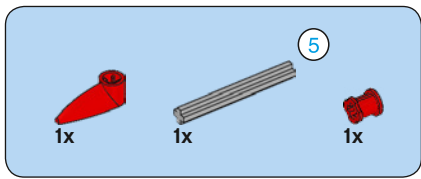


1

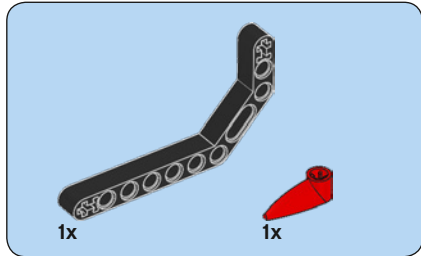
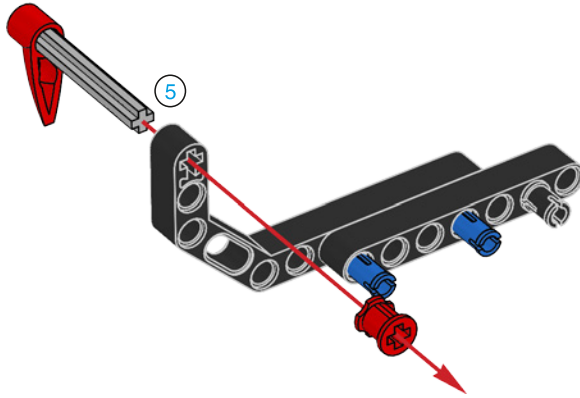


2

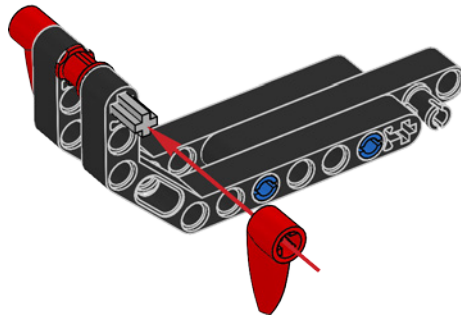


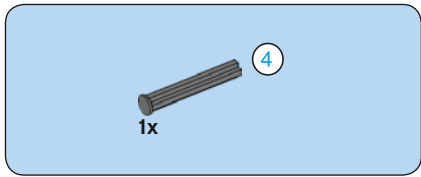


3

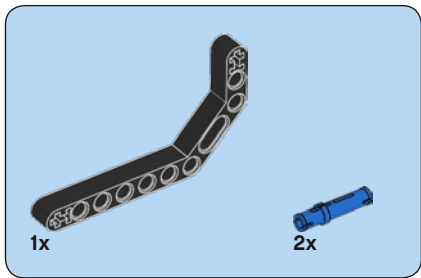
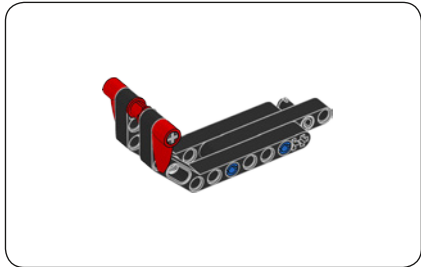
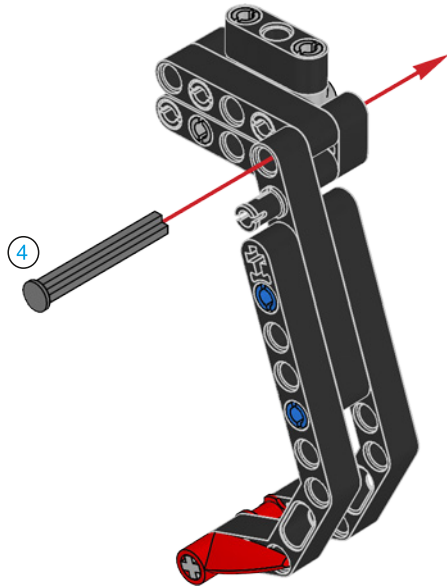


4

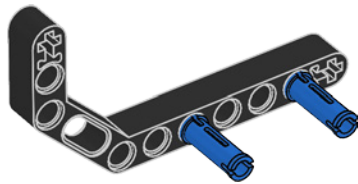


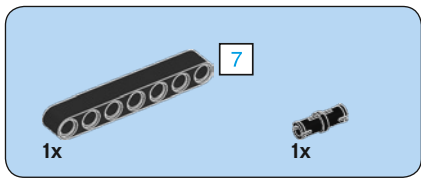


6

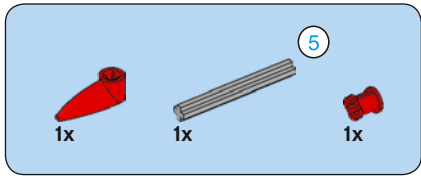
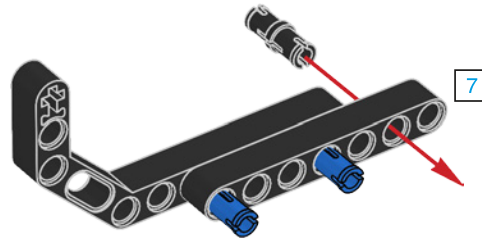


1

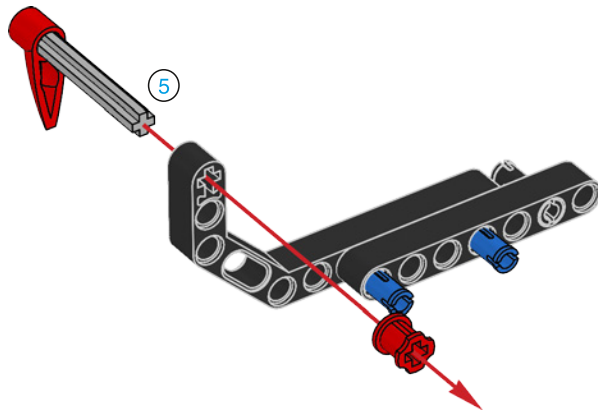


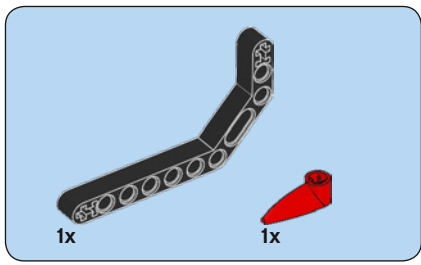


2

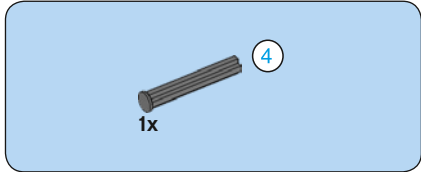
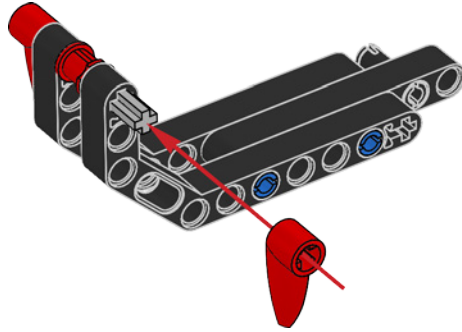


3

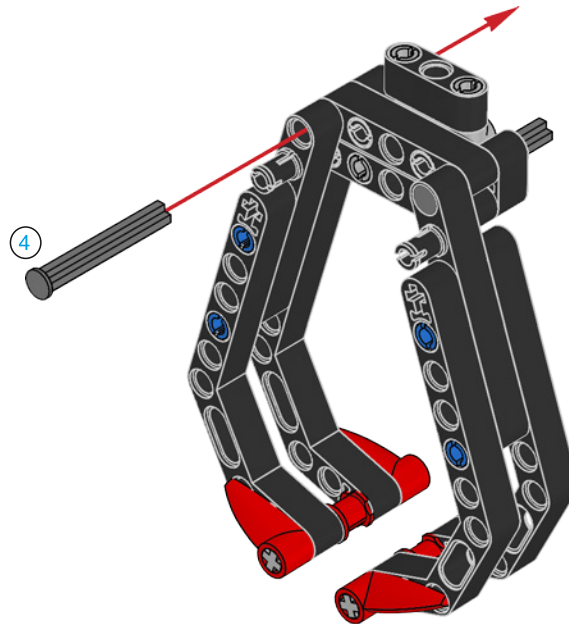


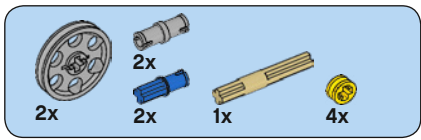


4

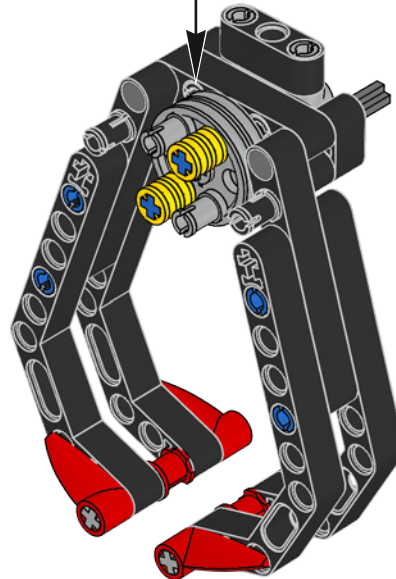
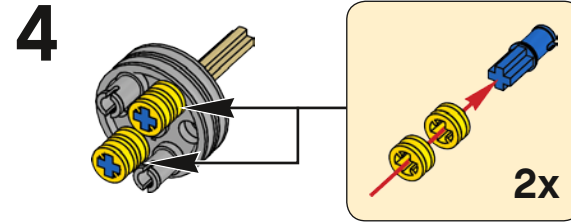
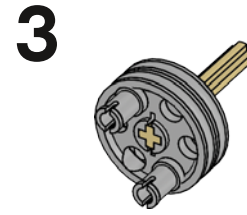
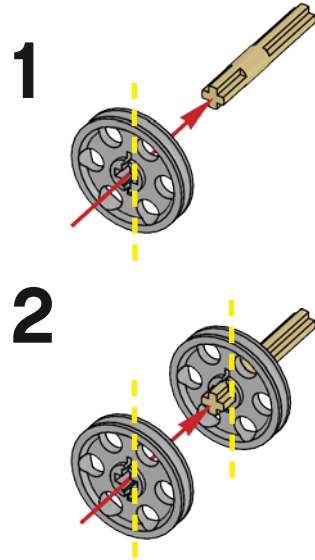
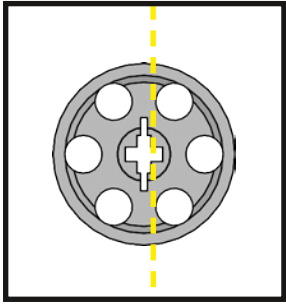


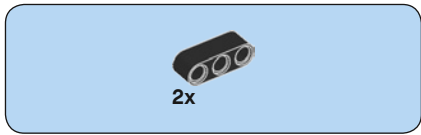
7



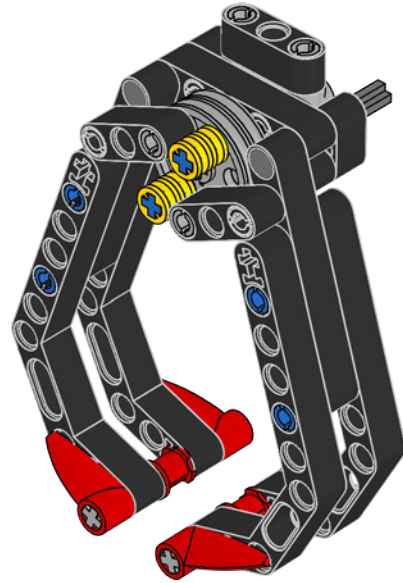


8

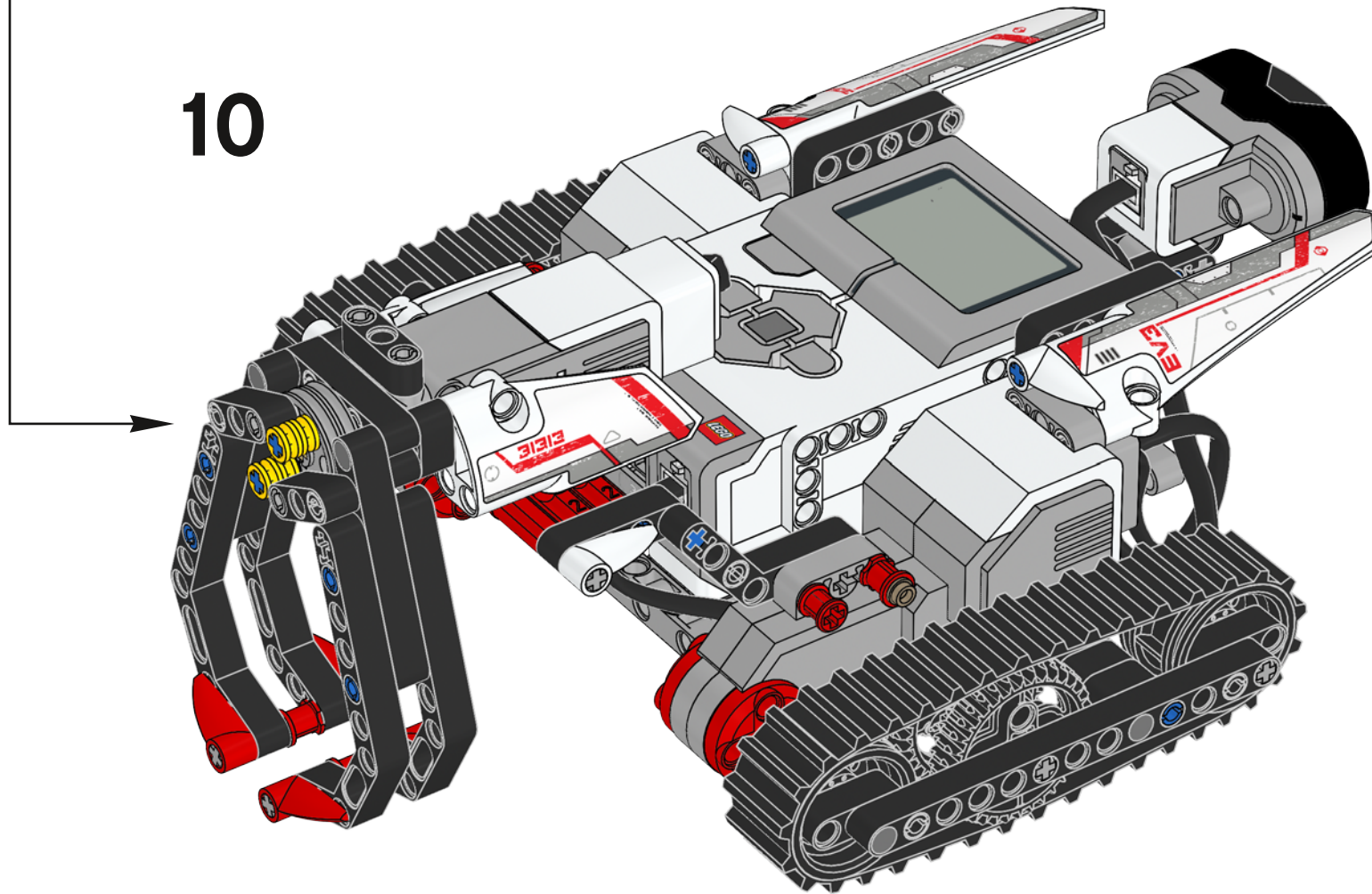


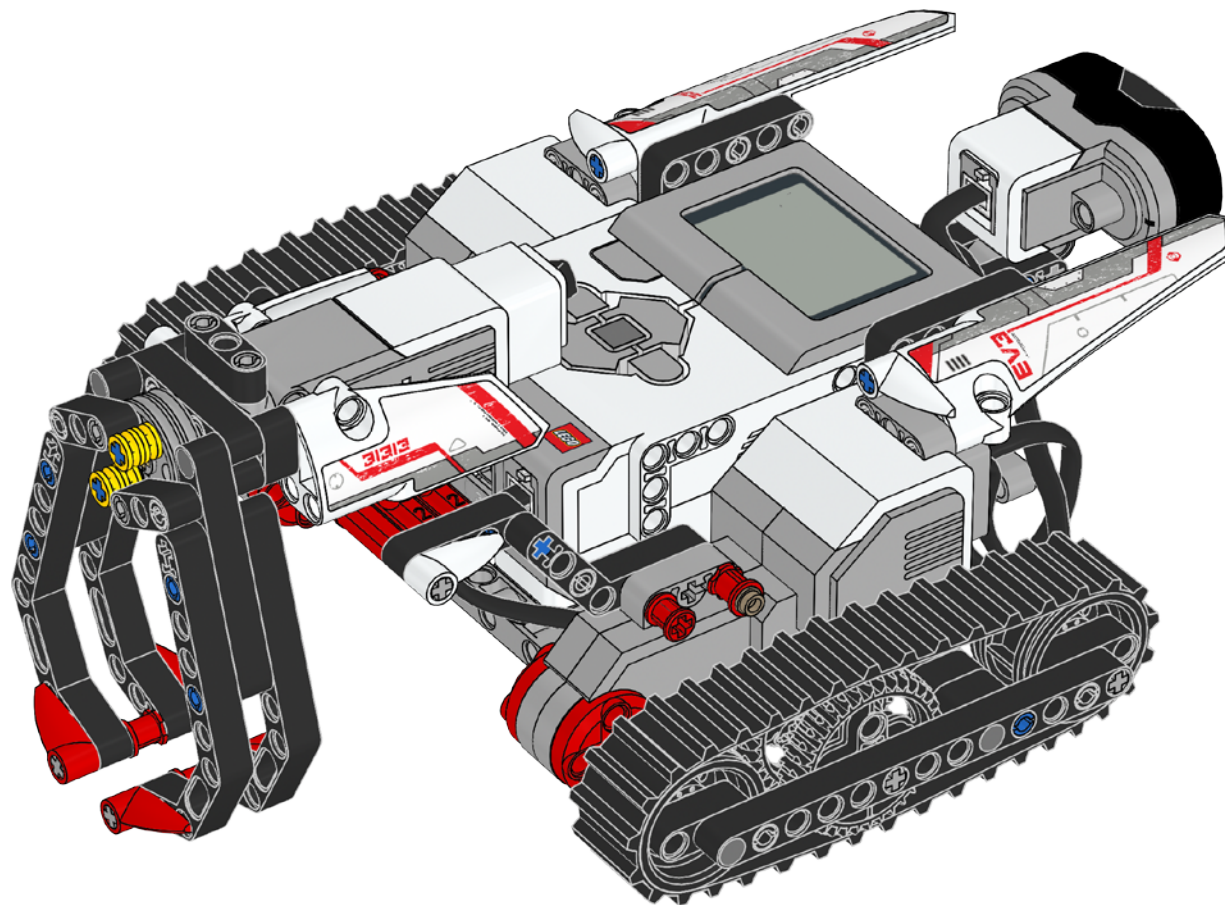


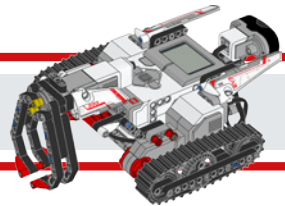
9



10



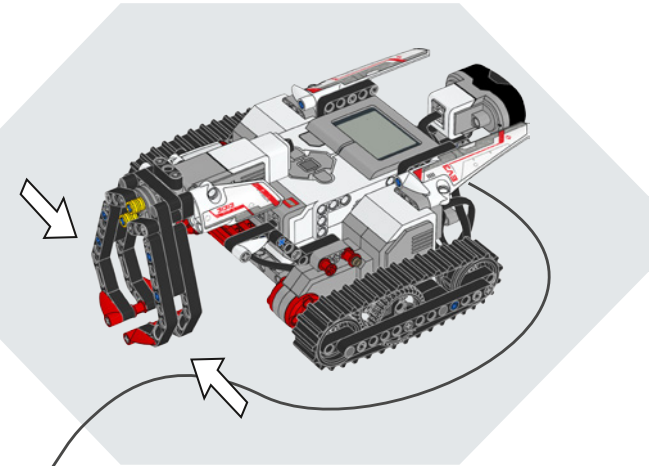




MISSION 03



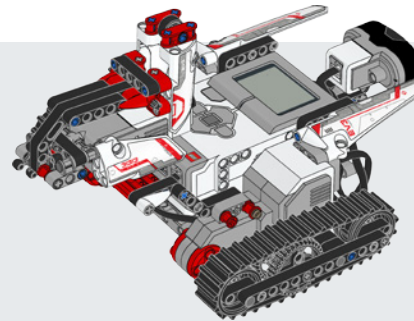
LEGO® MINDSTORMS®
EV3 Programmer
The LEGO Group

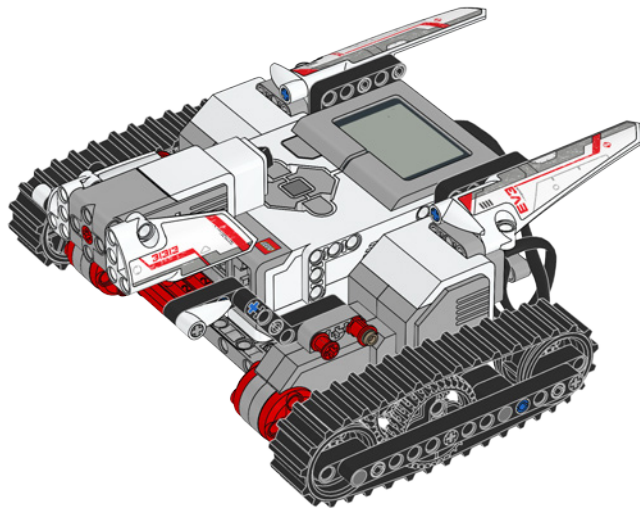


LEGO.com/mindstorms/software

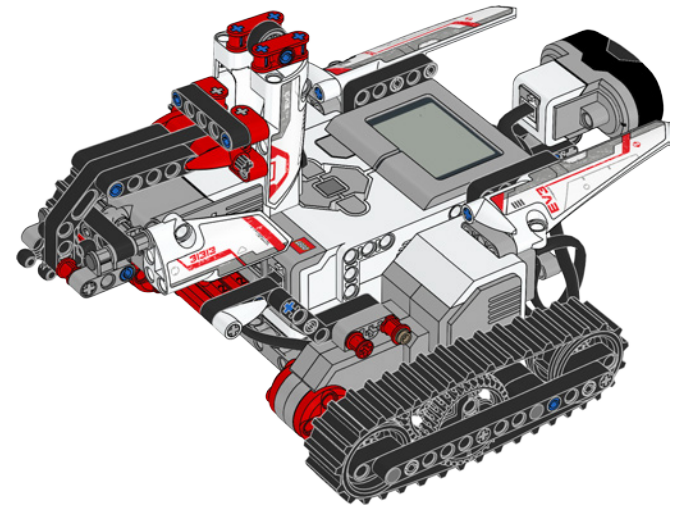
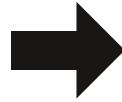
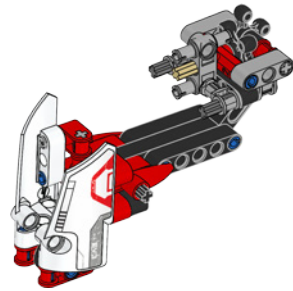


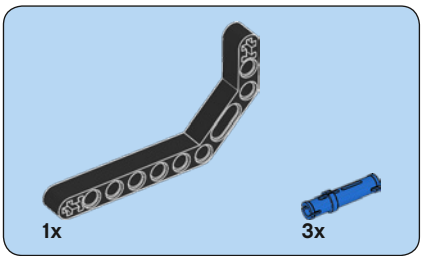
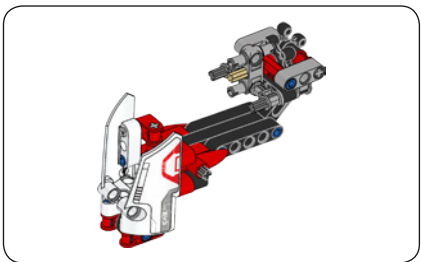
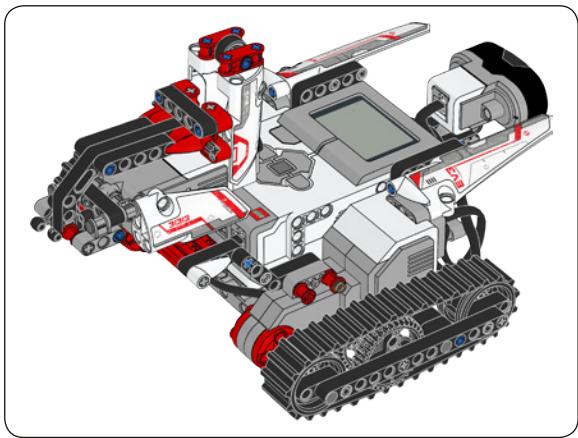
MISSION 04



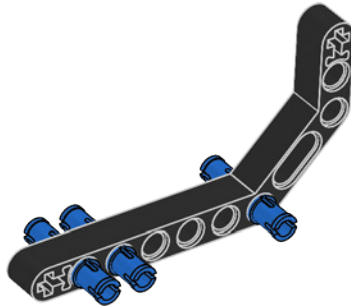


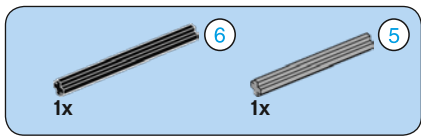
+



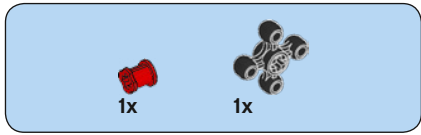
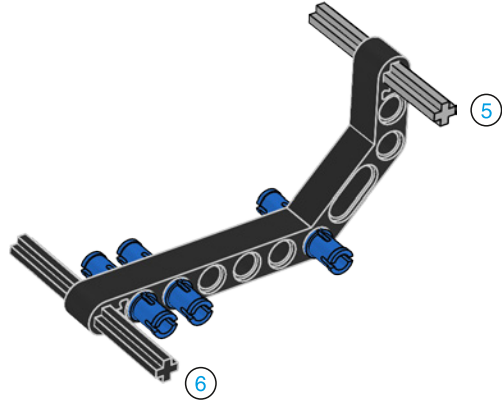


1

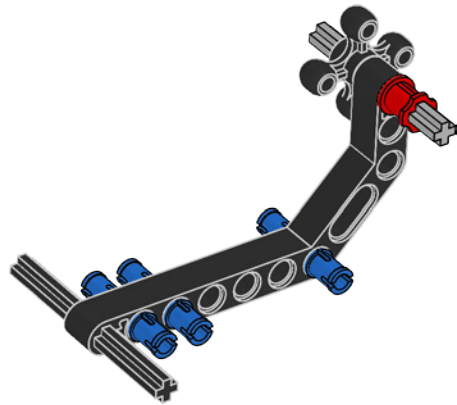


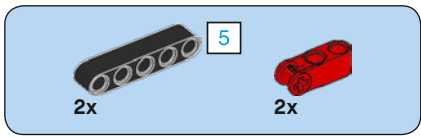


2

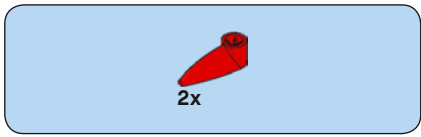
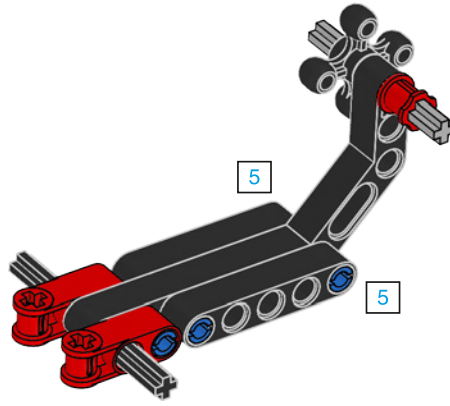


3

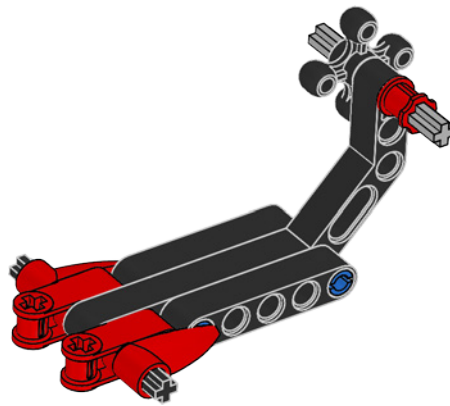


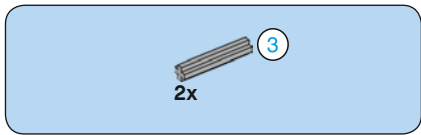


4

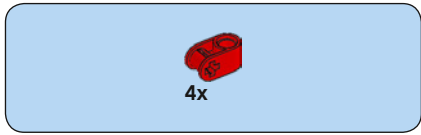
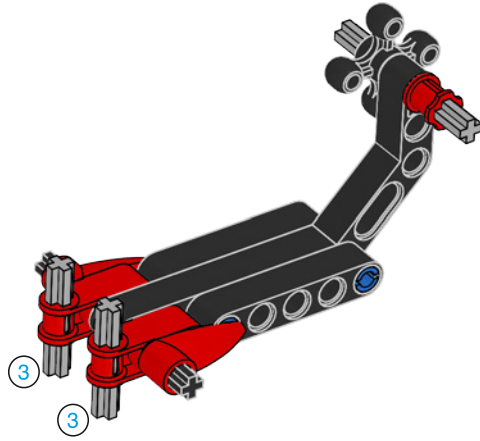


5

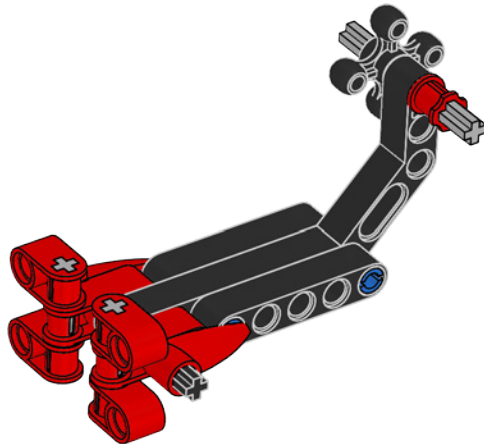


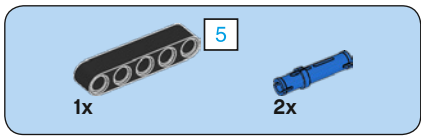


6

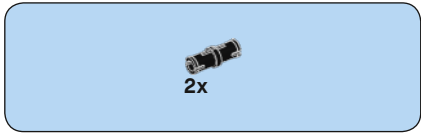
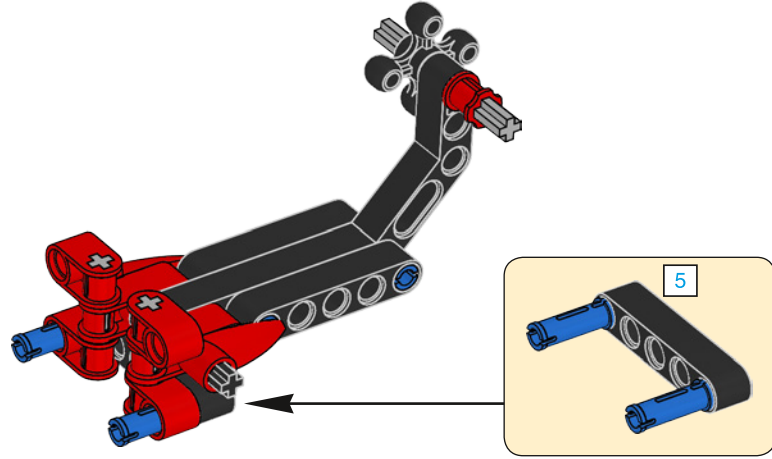


7

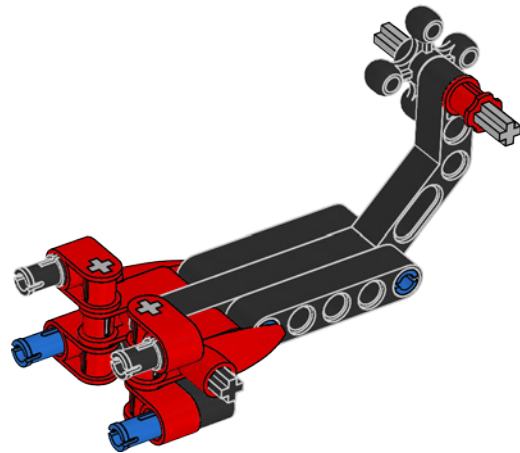


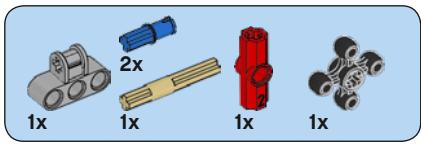


8

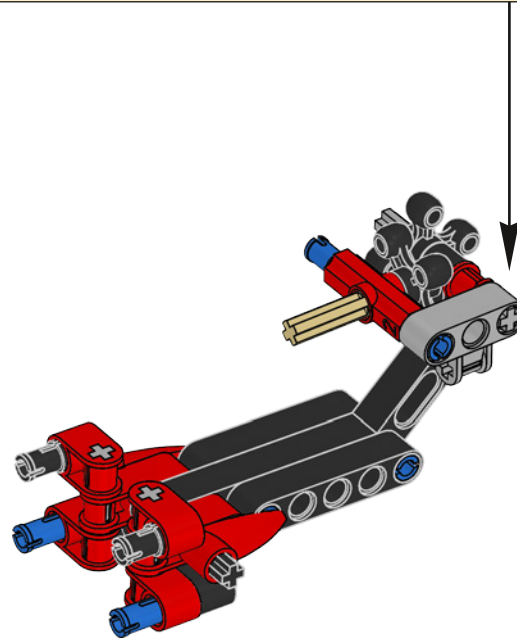
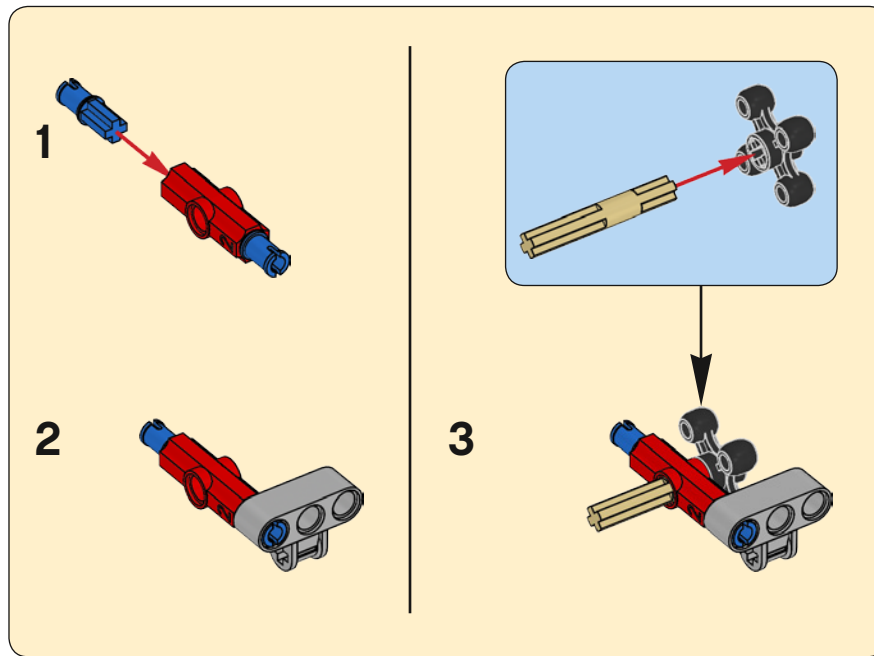


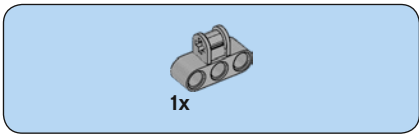
9



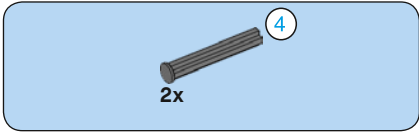
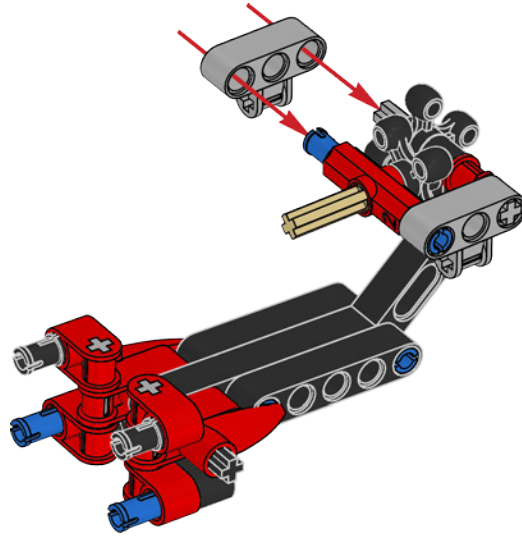


10

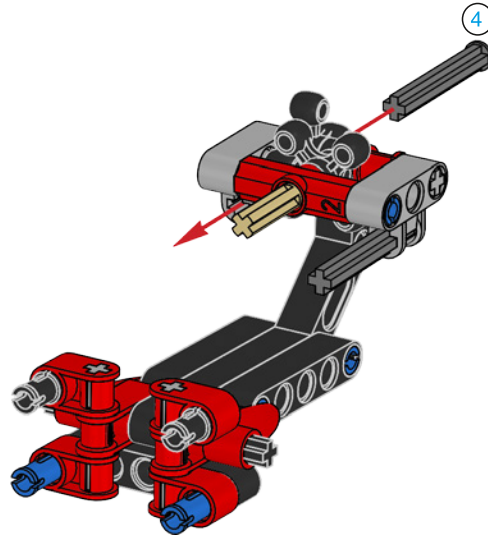


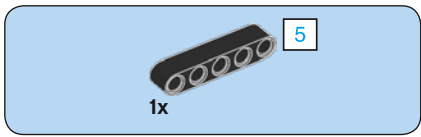


11

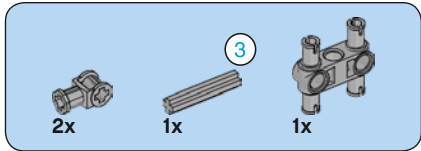
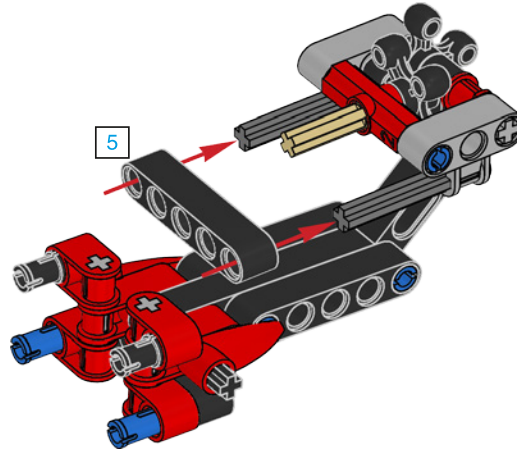


12

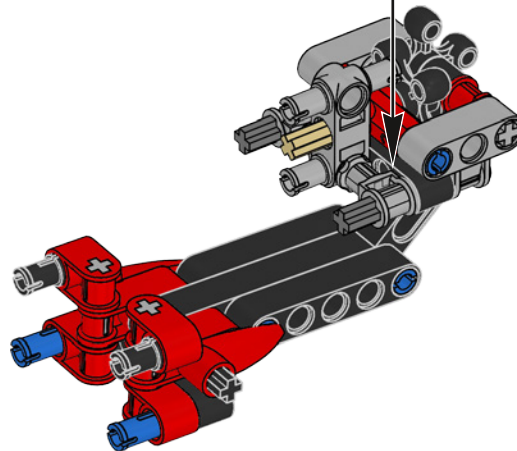
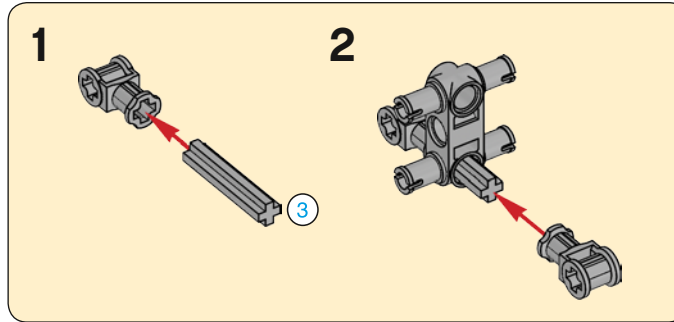


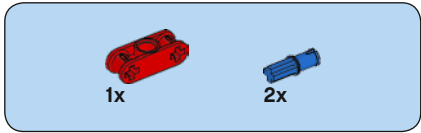
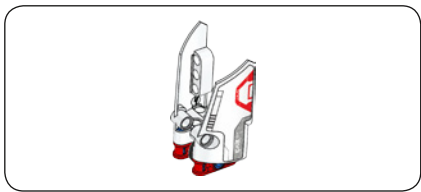


13

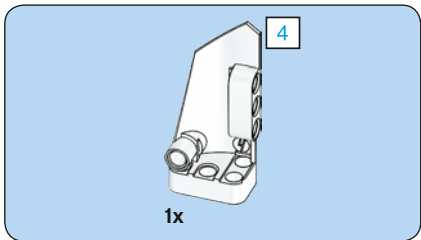
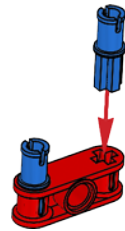


14



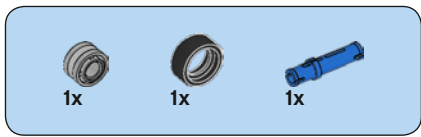


1

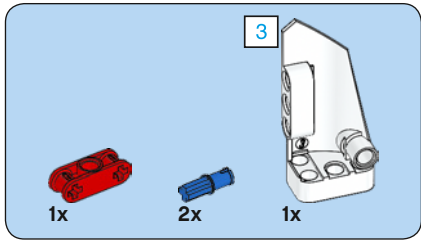
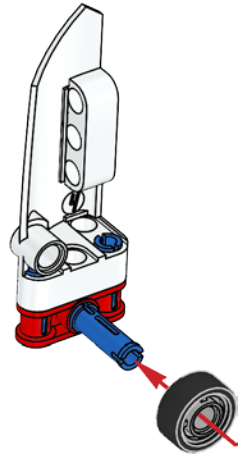


2

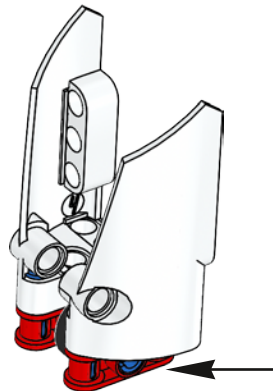
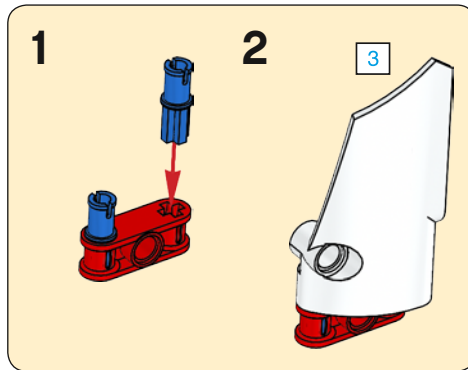


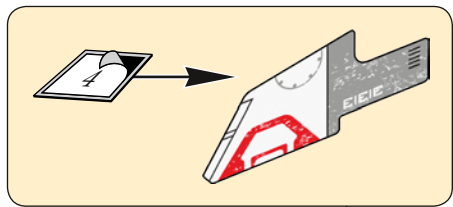


3

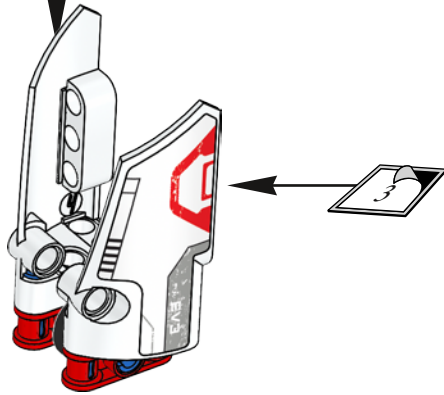


4

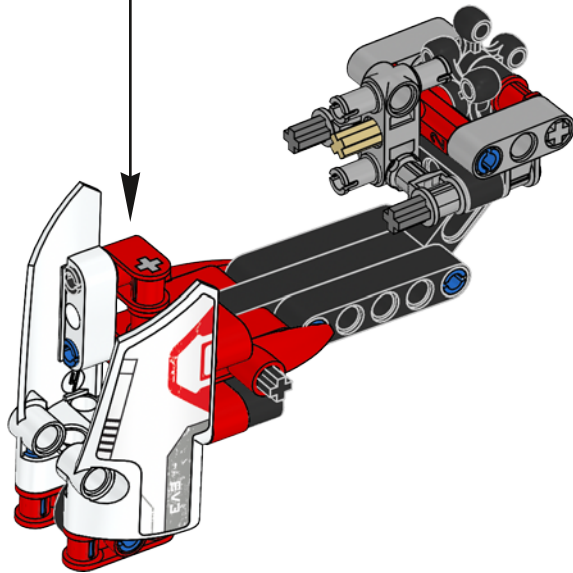




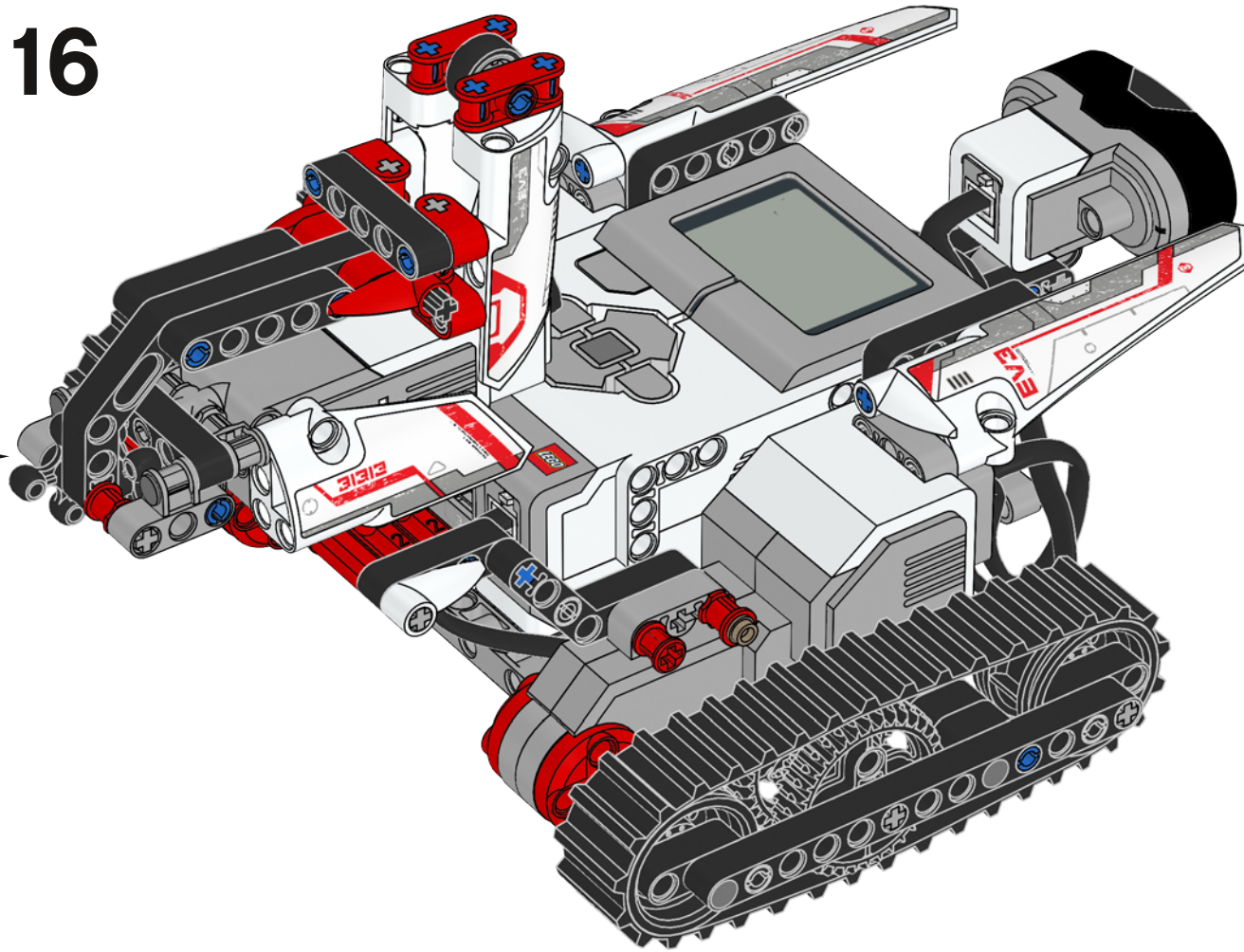
5

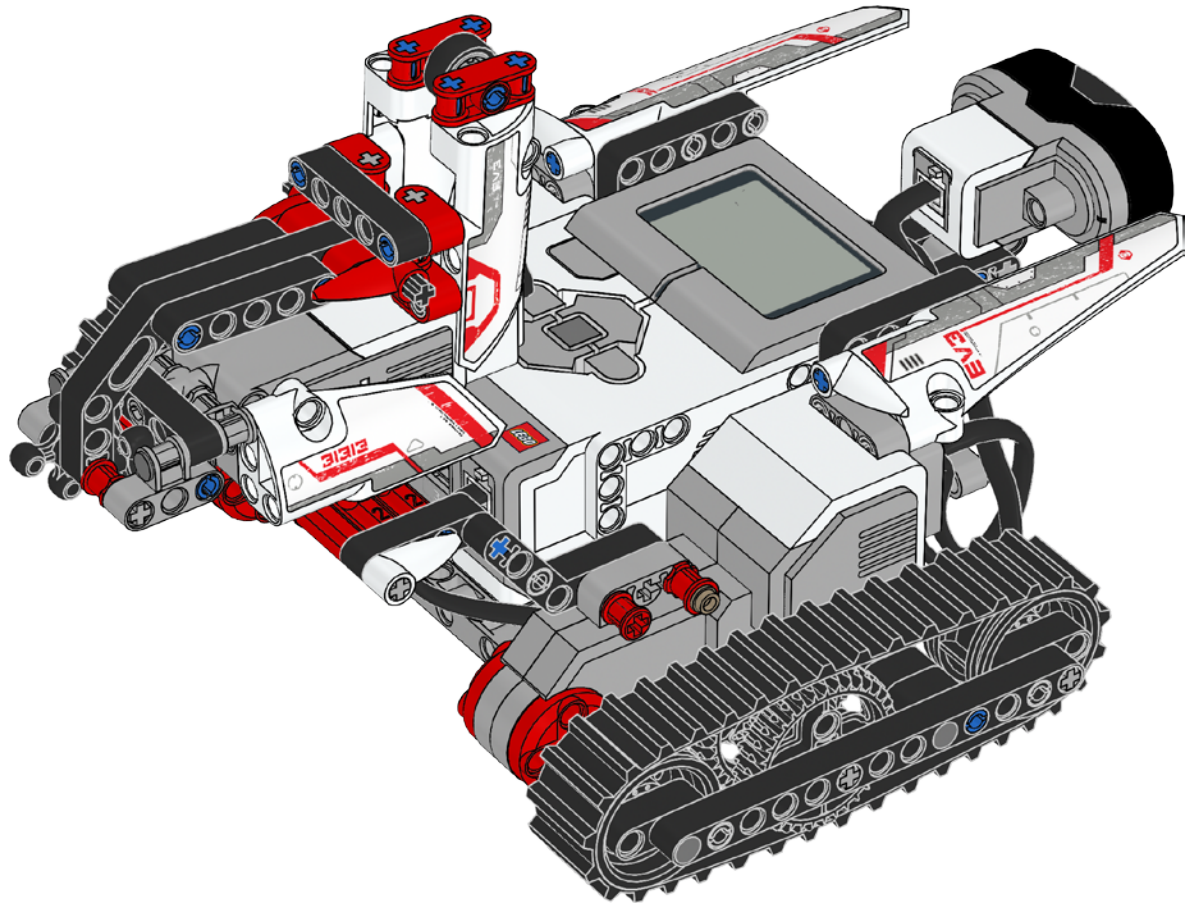


15




16

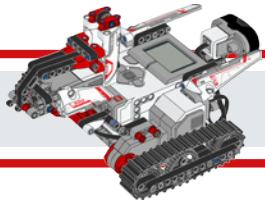
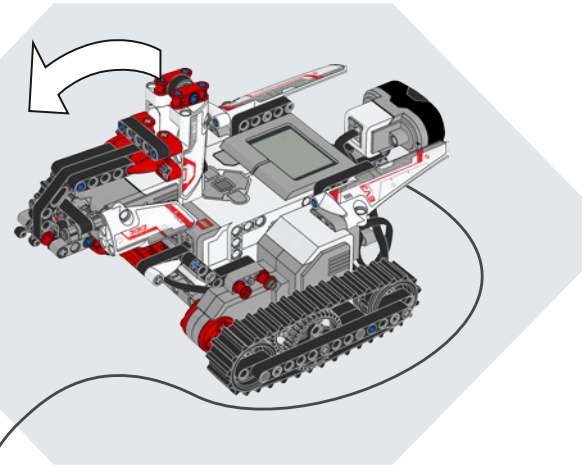




Download on the **App Store** GET IT ON **Google play**



LEGO® MINDSTORMS®
EV3 Programmer
The LEGO Group

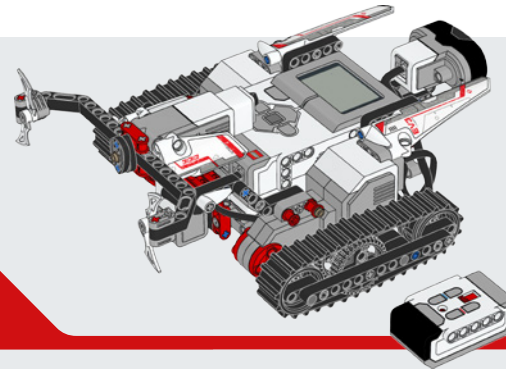


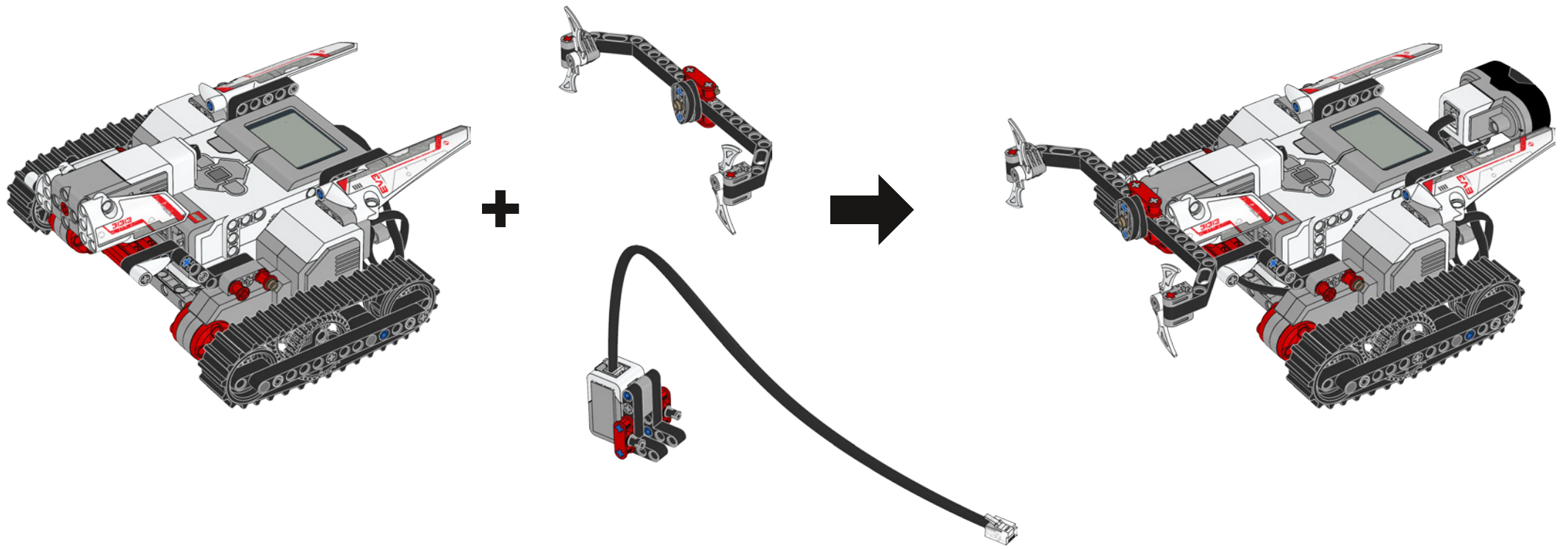
MISSION 04

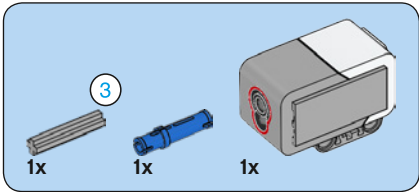
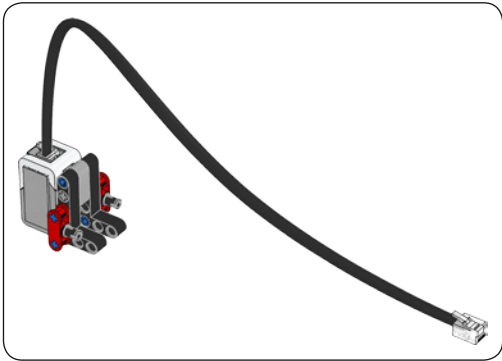
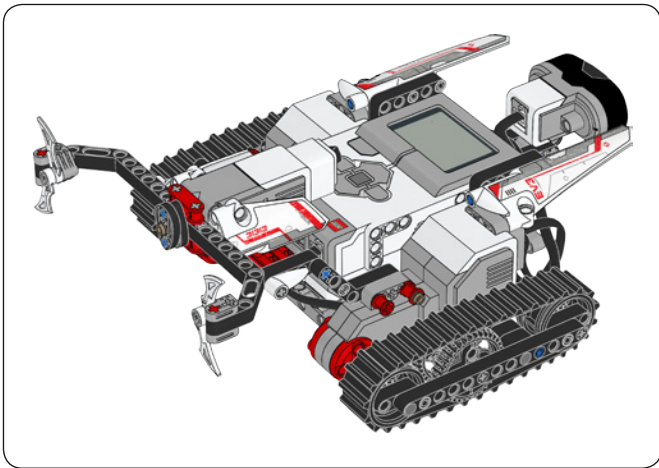
 LEGO.com/mindstorms/software



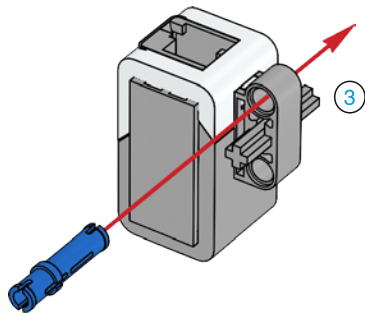
MISSION 05

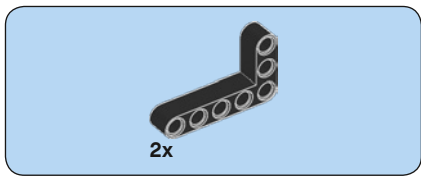




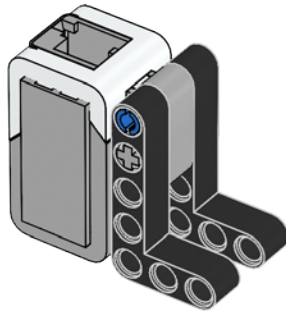


1

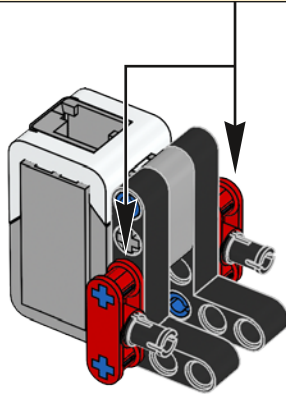
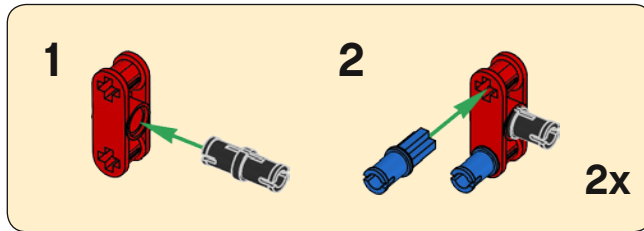


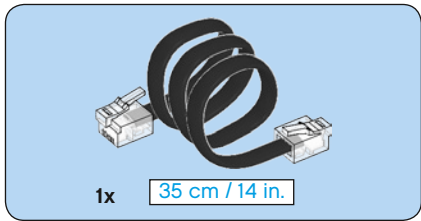


2

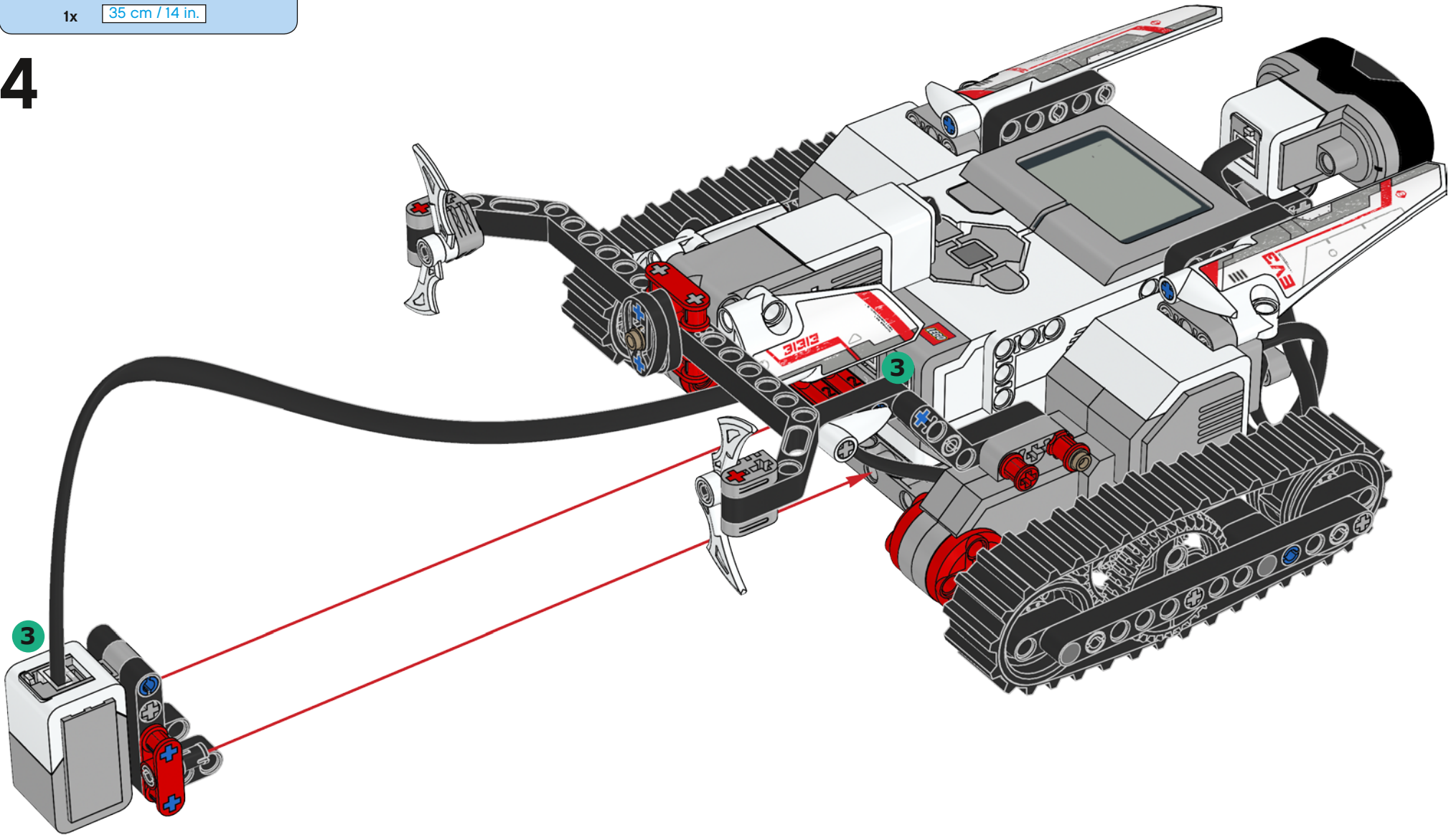


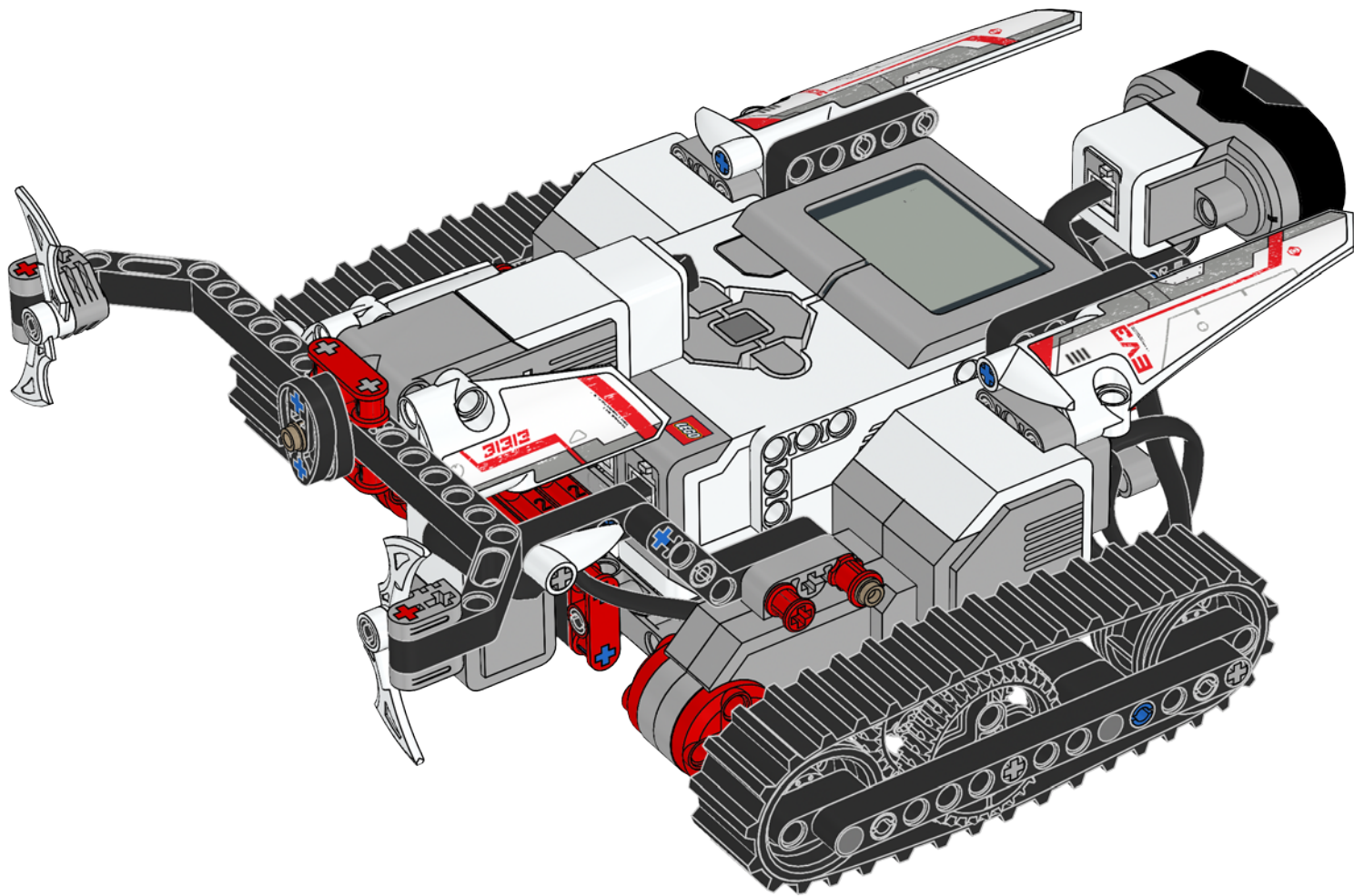
3

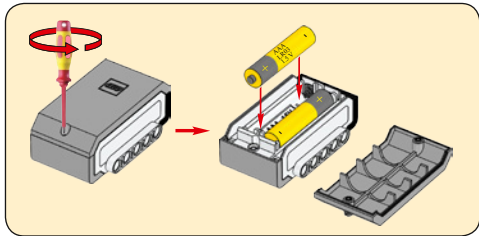
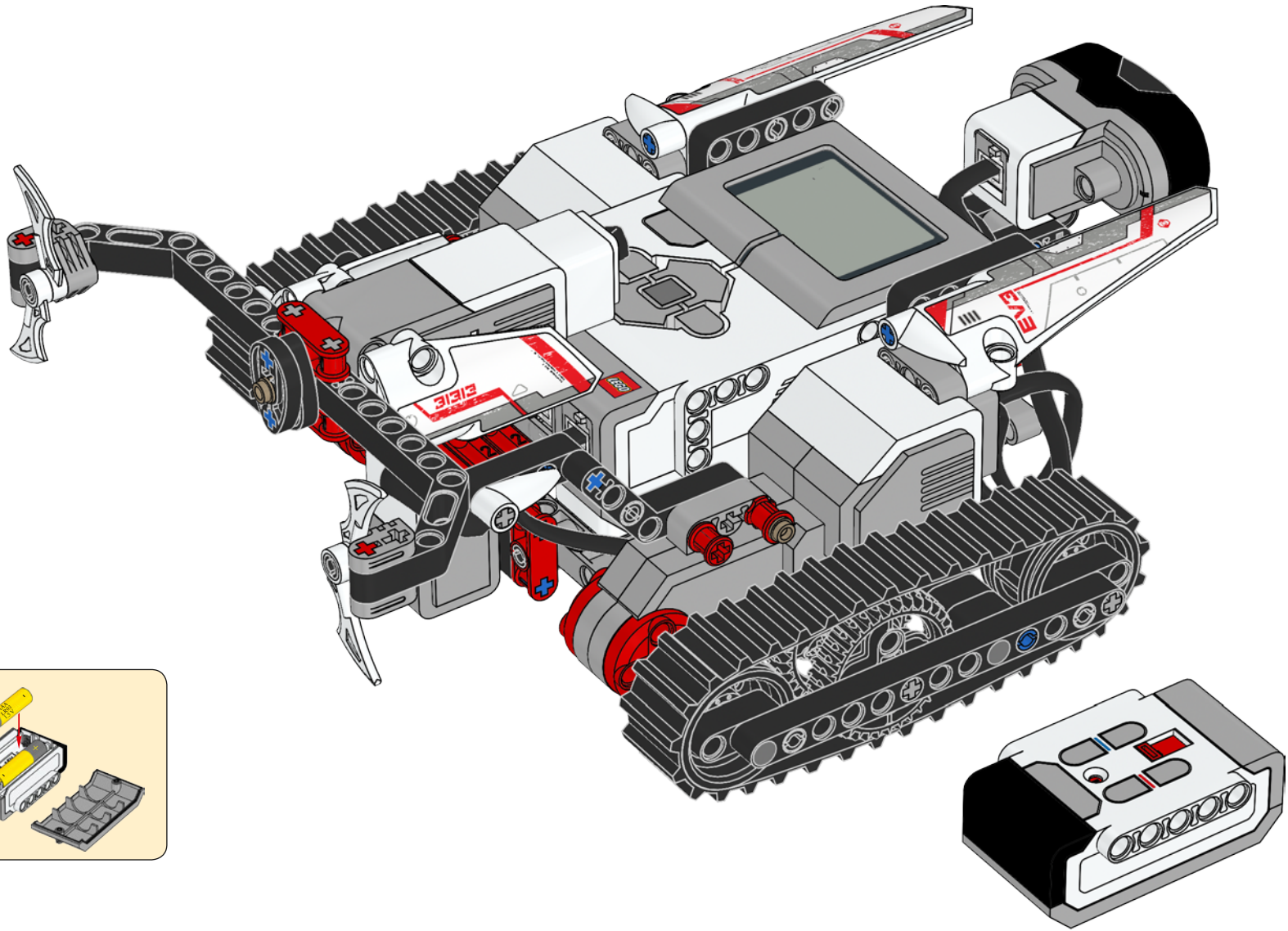




4





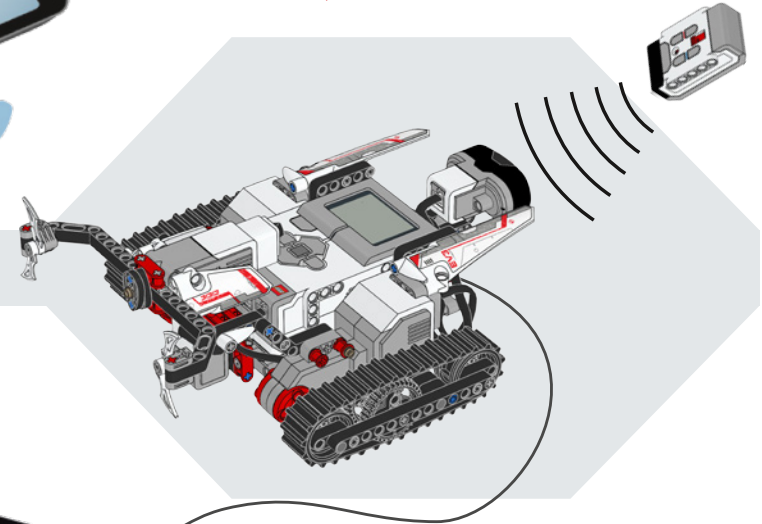


AAA
LR03
1.5V

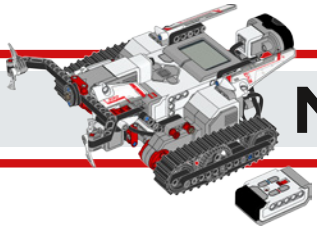
x2



LEGO® MINDSTORMS®
EV3 Programmer
The LEGO Group



MISSION 05



LEGO.com/mindstorms/software



