

LEGO mindstorms[®]
EV3

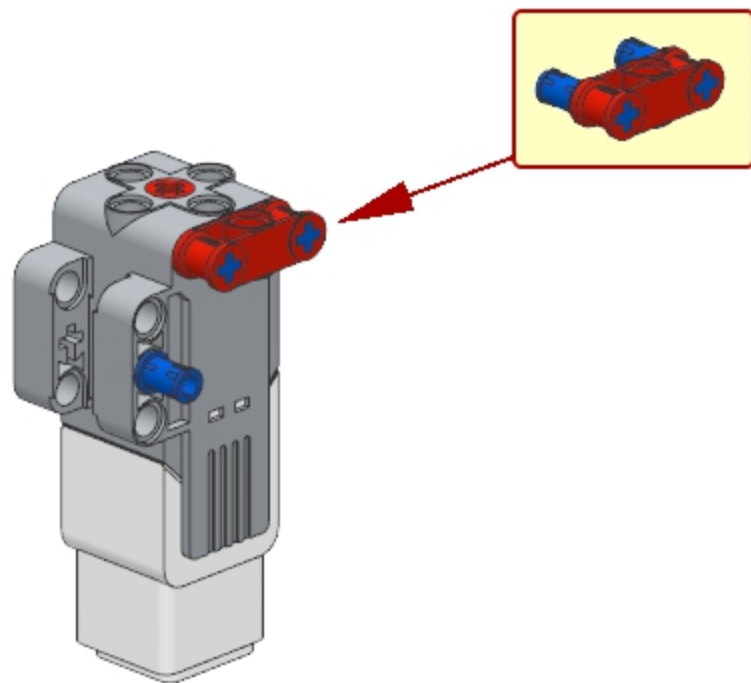
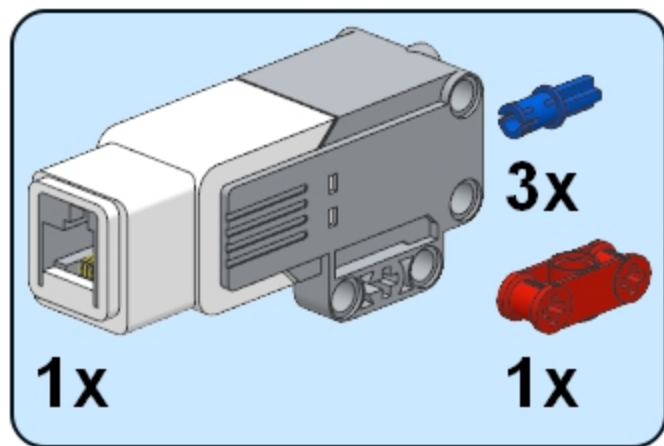


KRAZ3

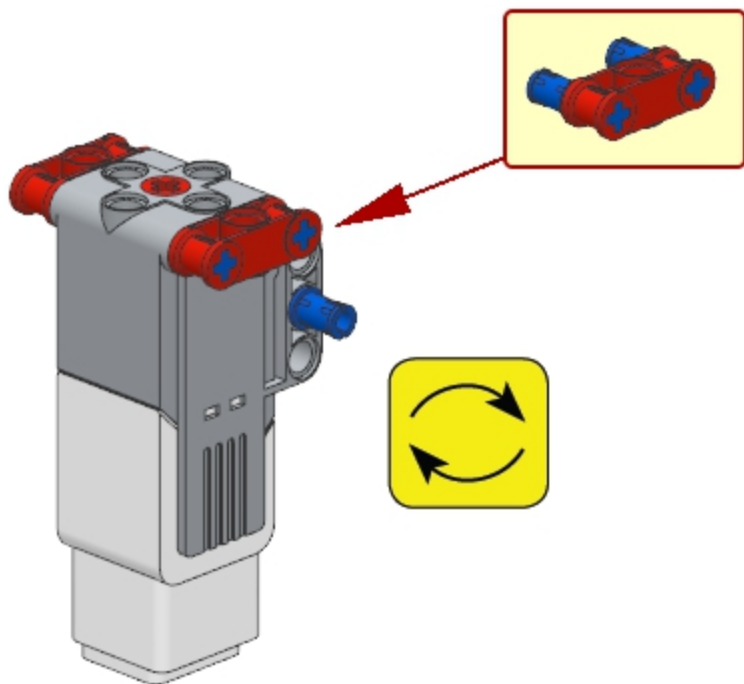
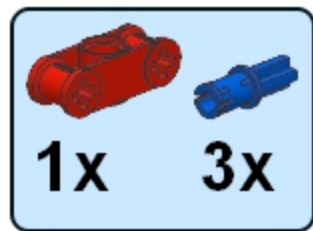
Model Design
and Programming Instructions
by: **Marc-André Bazergui**

Building Instructions
by: **Philippe "Philo" Hurbain**

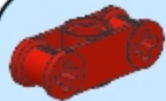
1



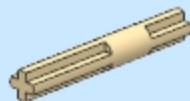
2



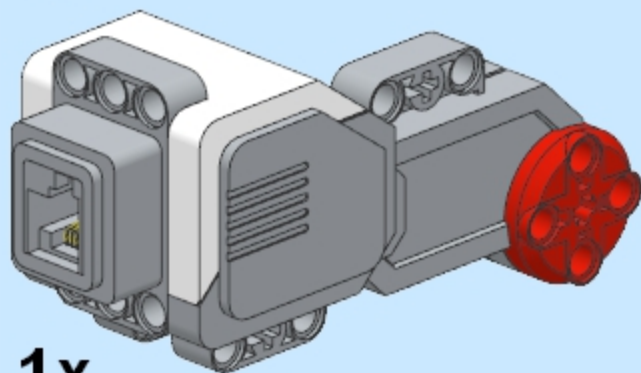
1



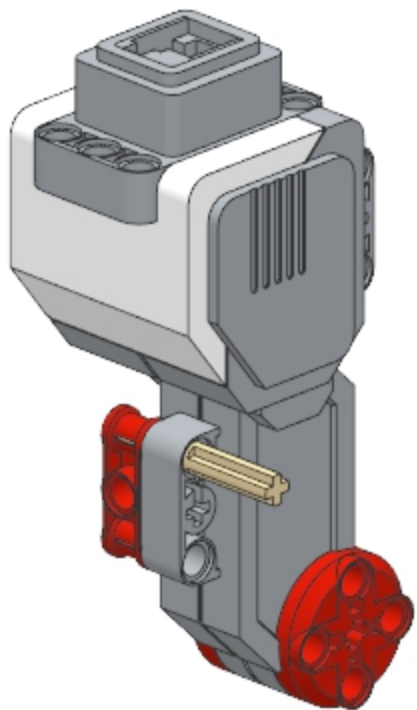
1x 4



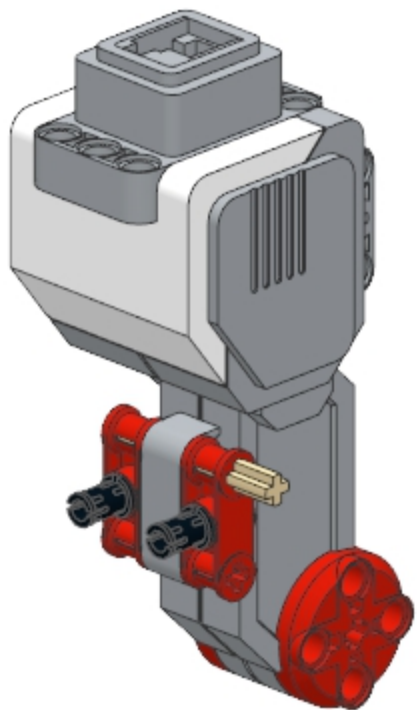
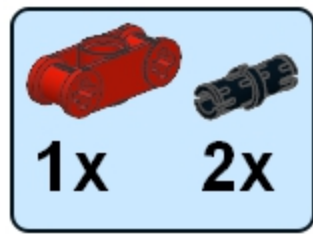
1x



1x



2



3



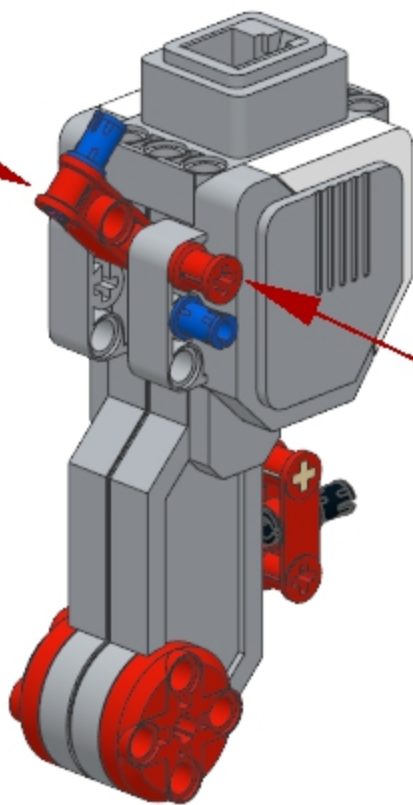
2x



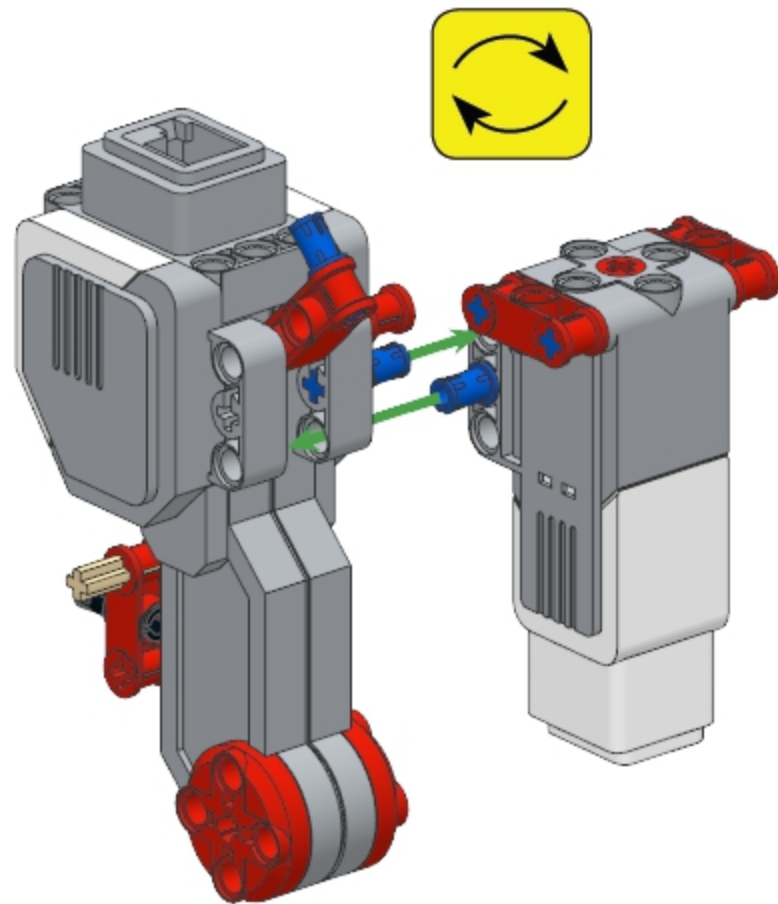
1x



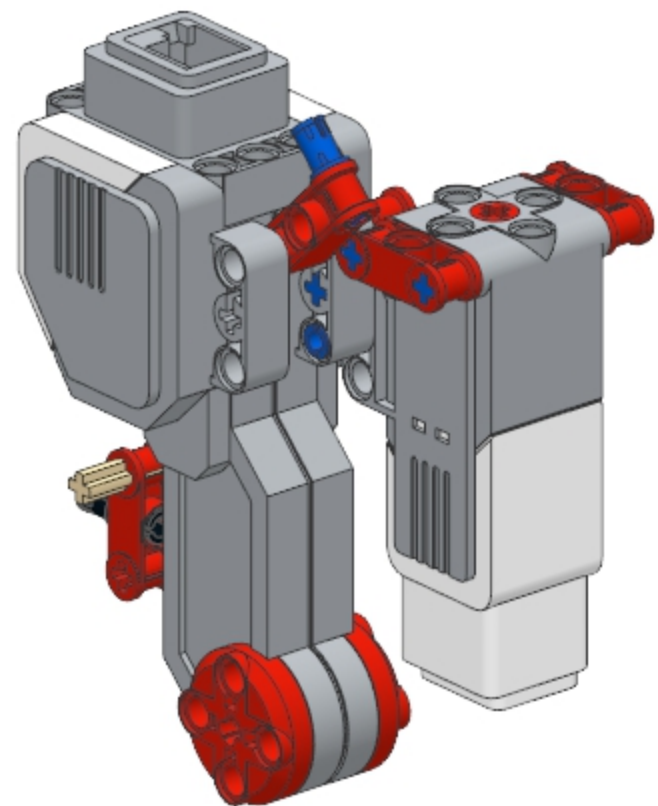
1x



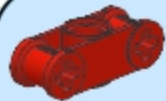
1



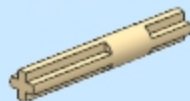
2



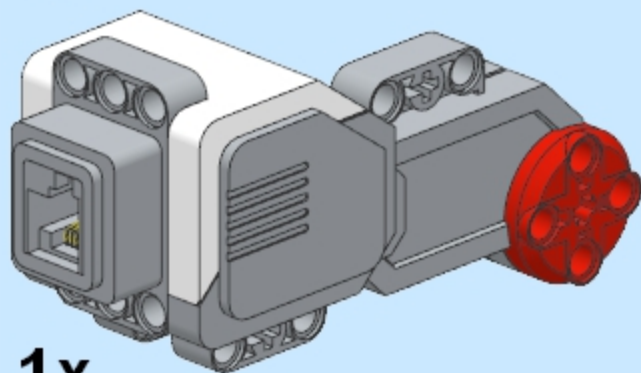
1



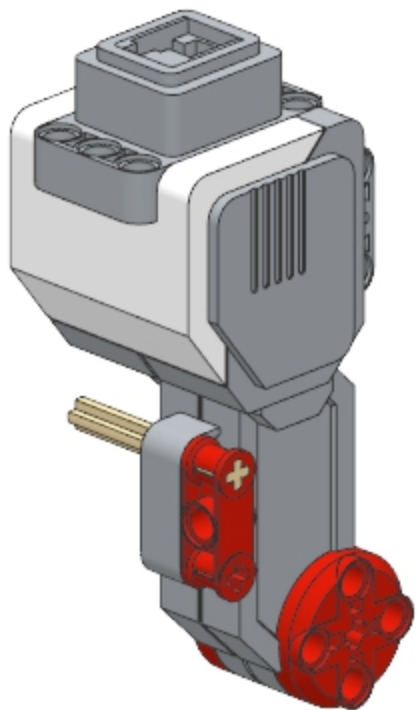
1x 4



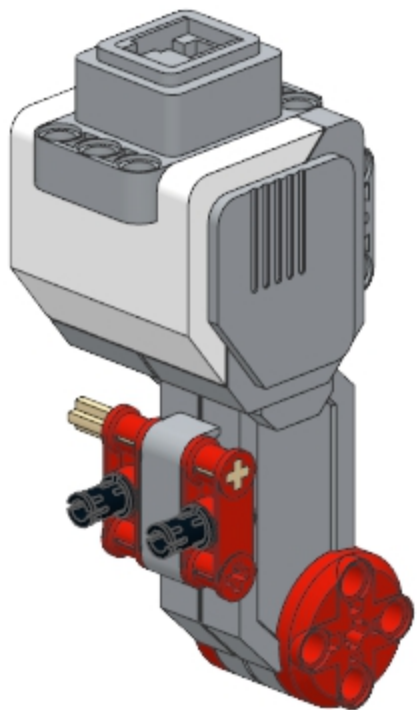
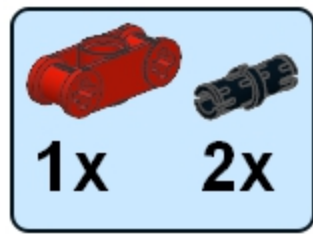
1x



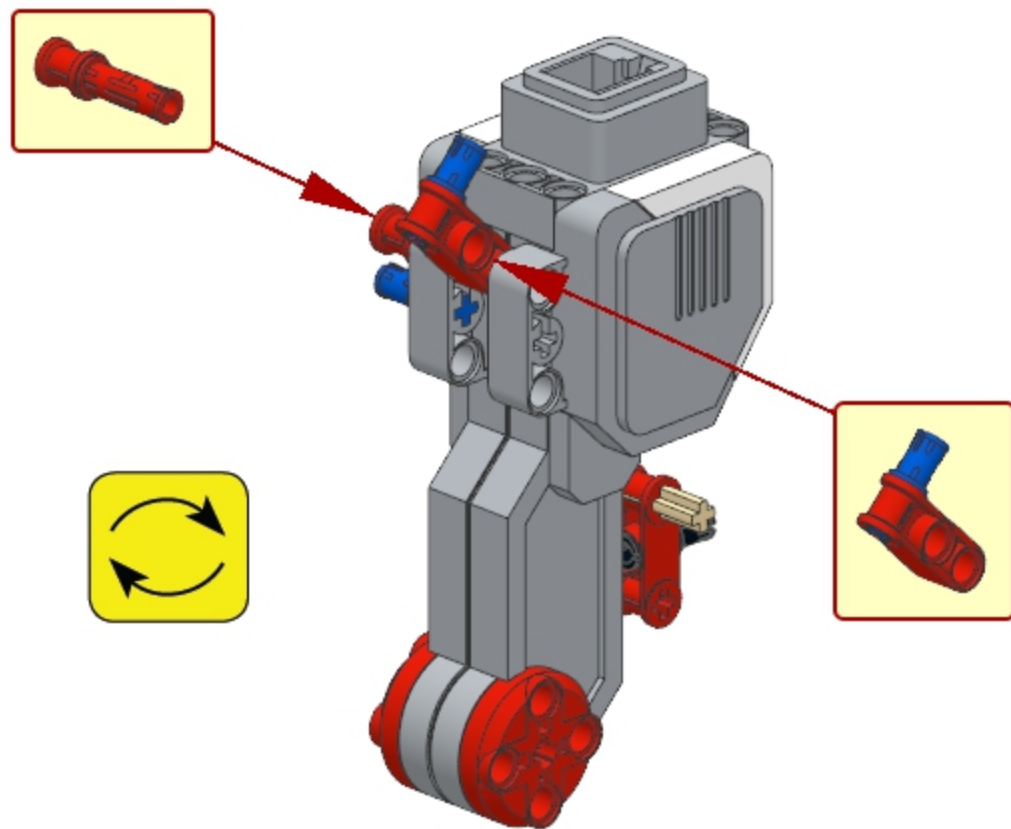
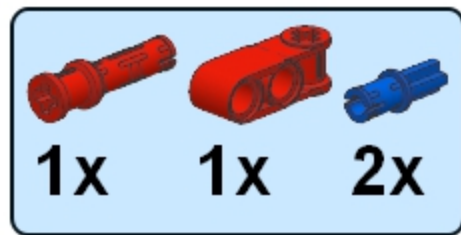
1x



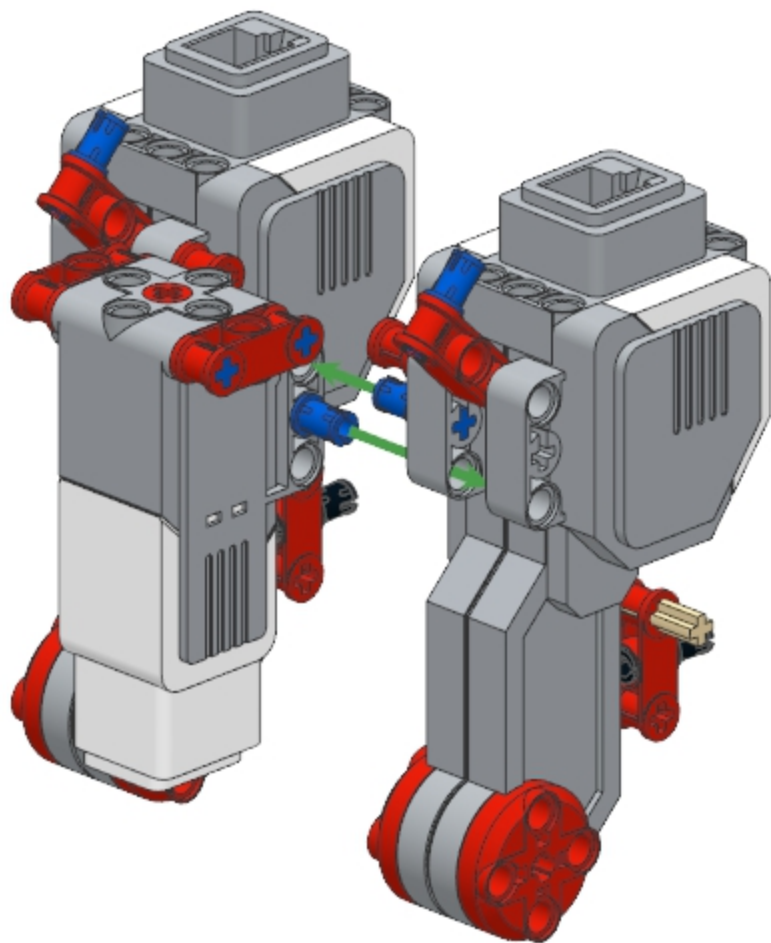
2



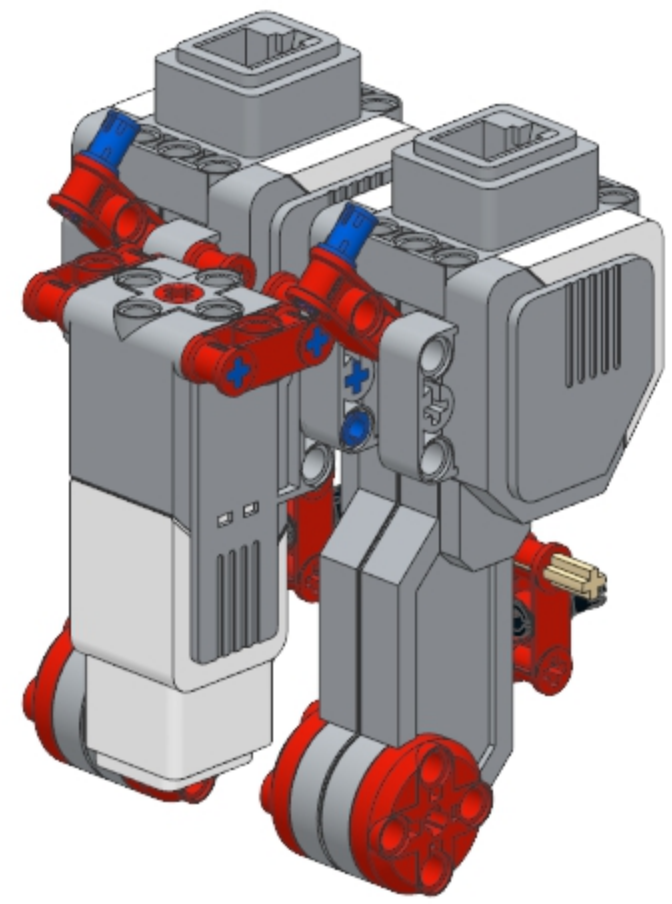
3



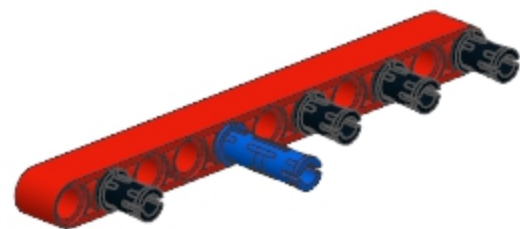
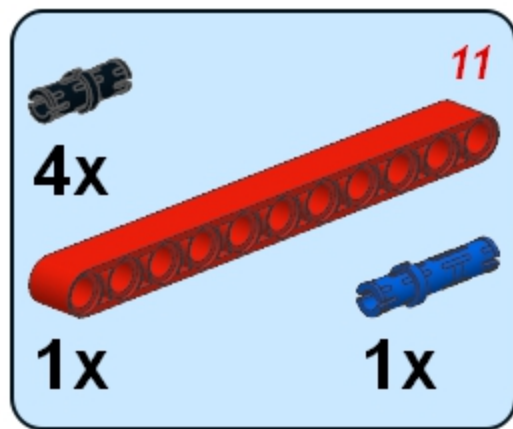
3



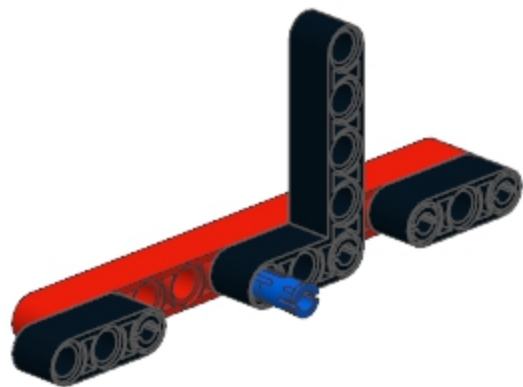
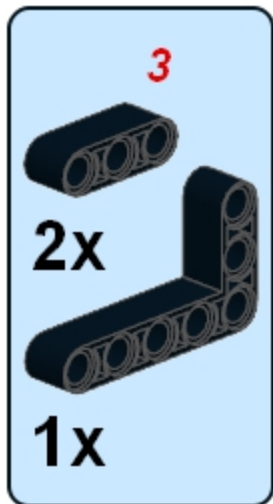
4



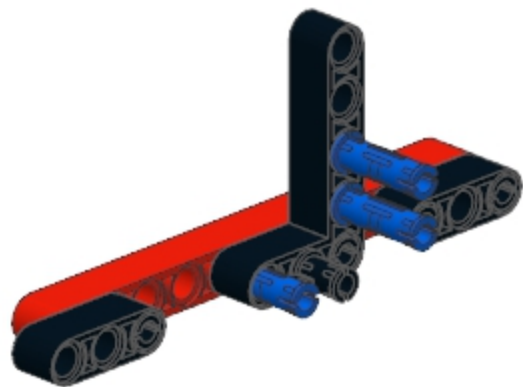
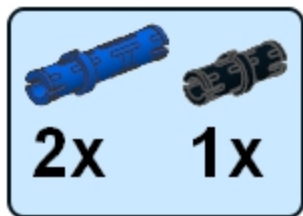
1



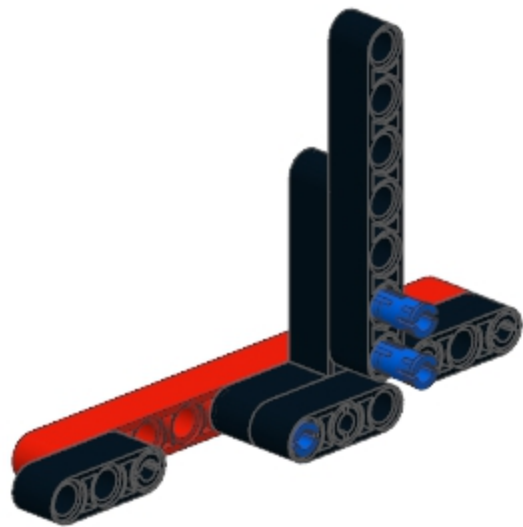
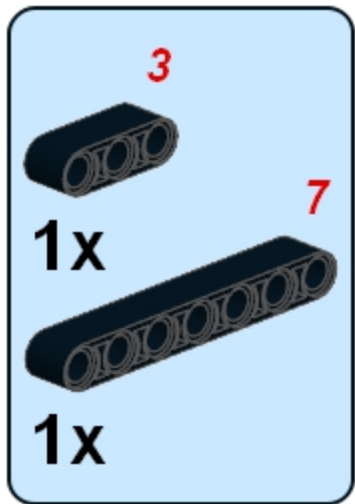
2



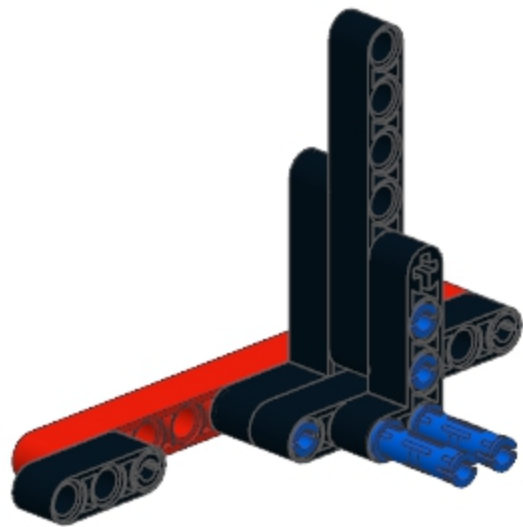
3



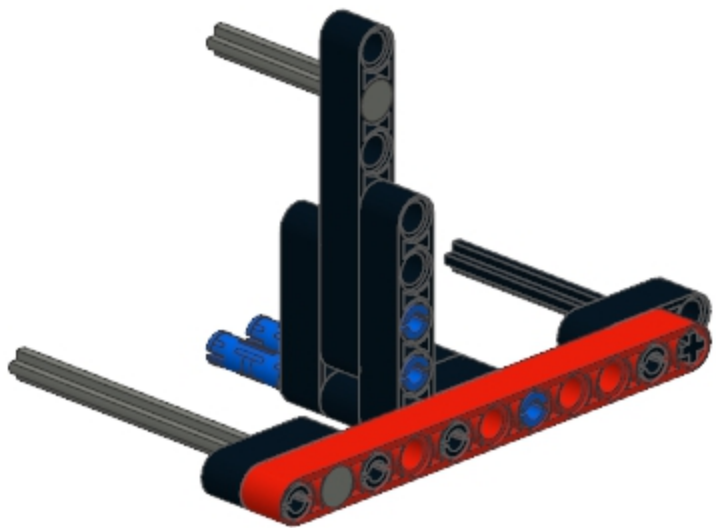
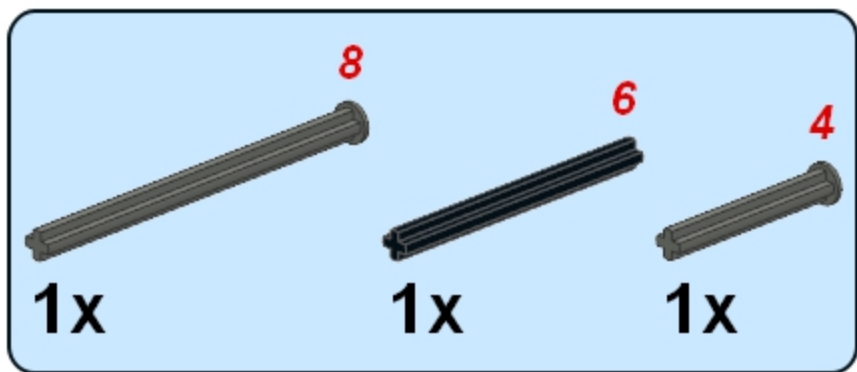
4



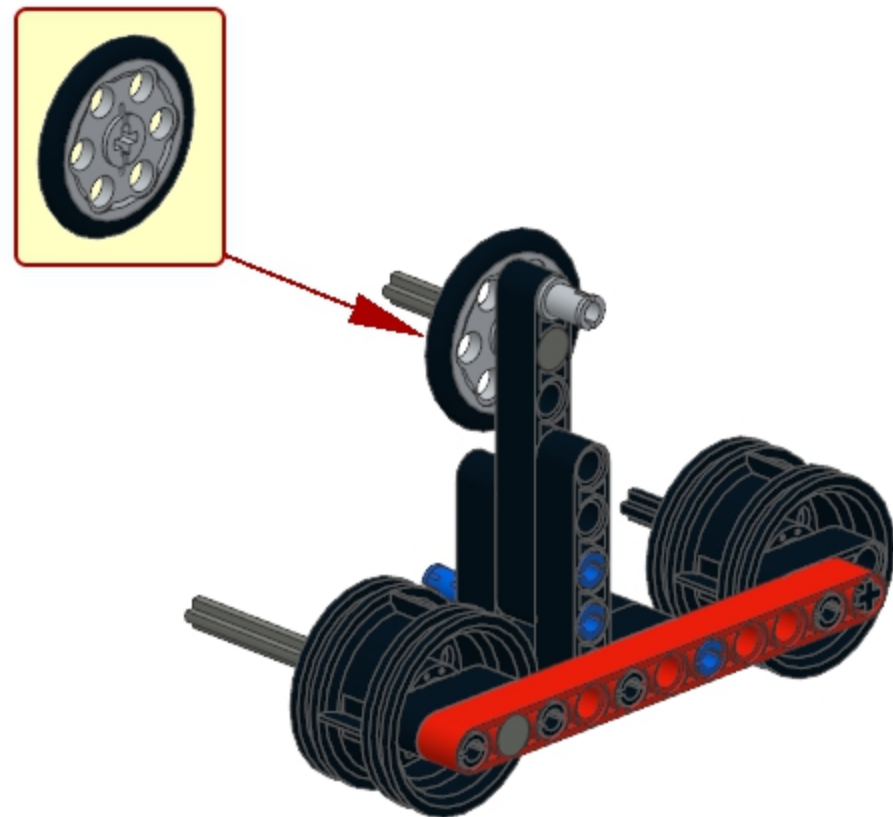
5



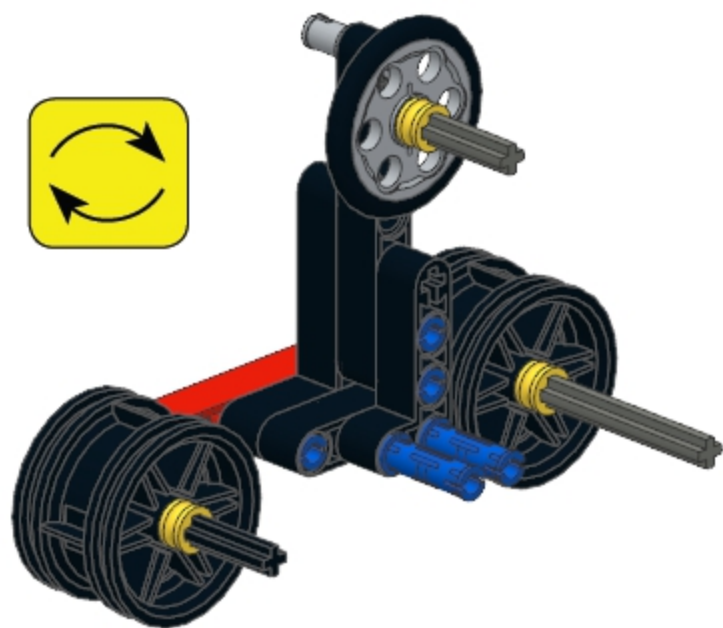
6



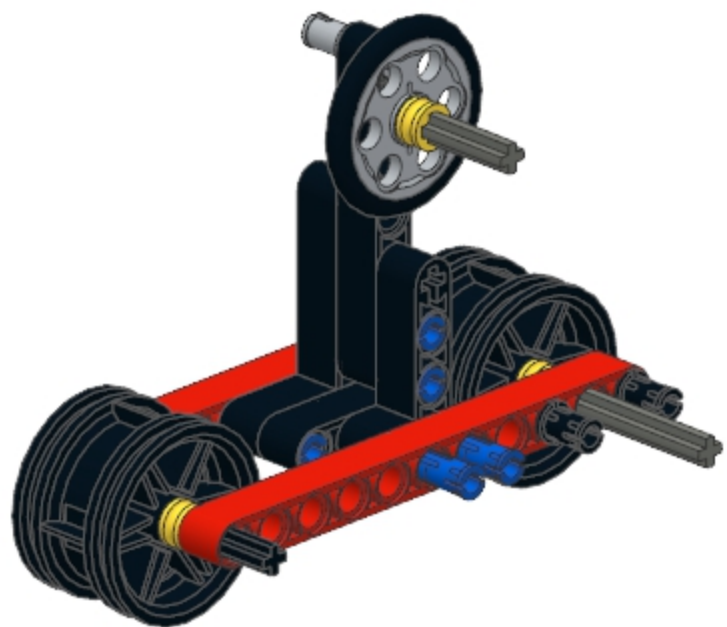
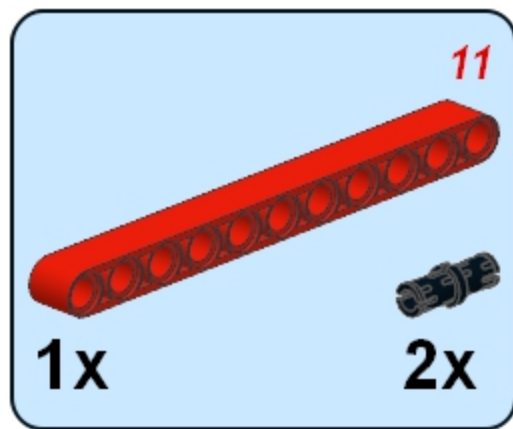
7



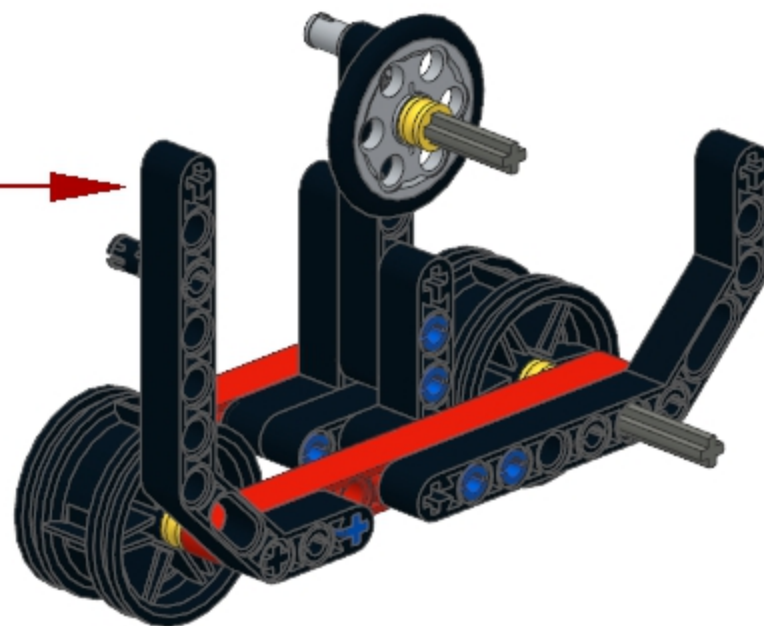
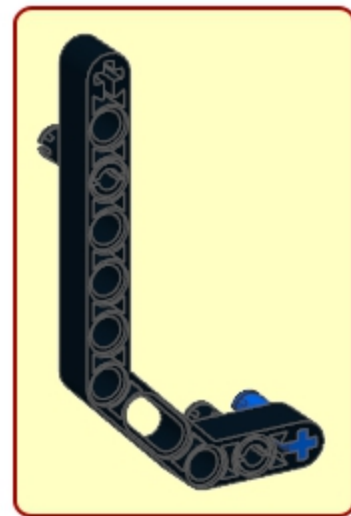
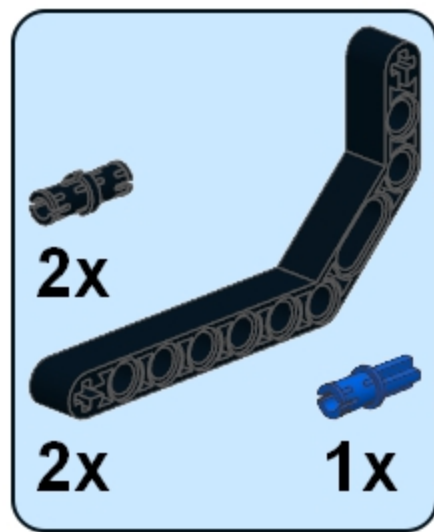
8



9



10



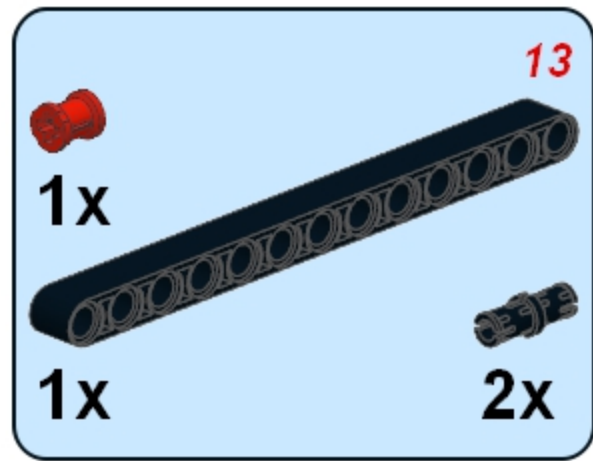
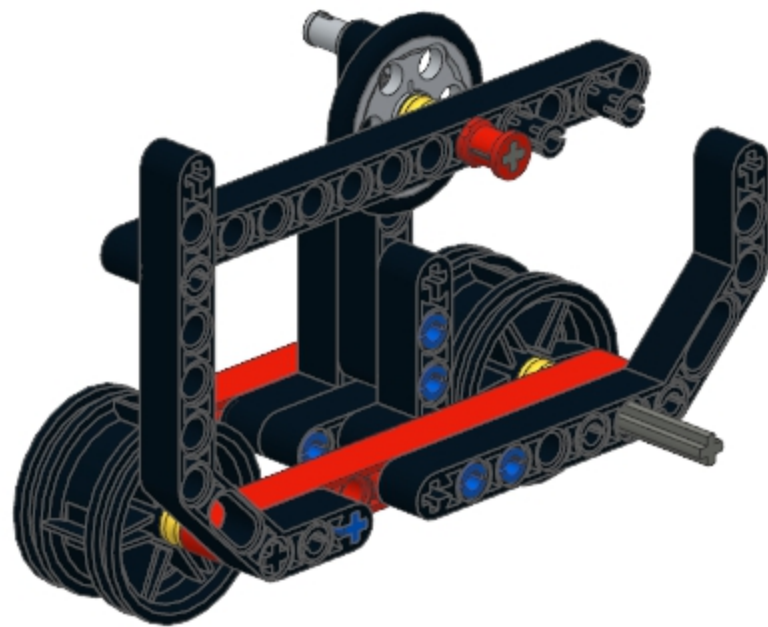
11

13

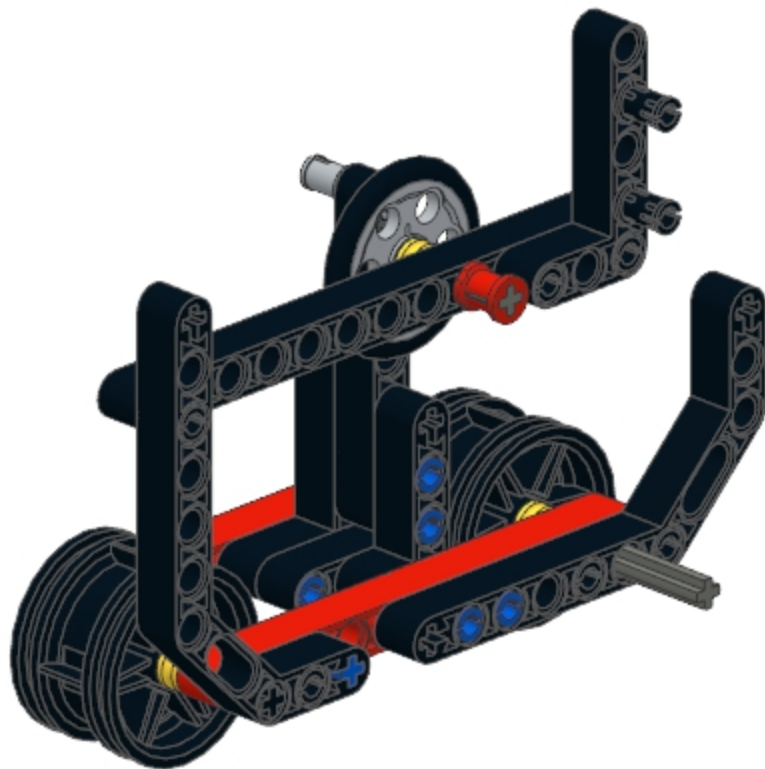
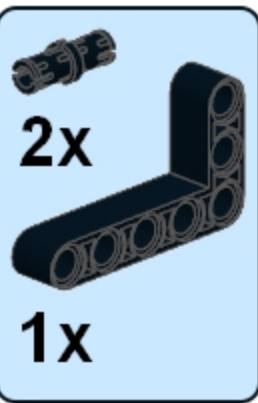
1x

1x

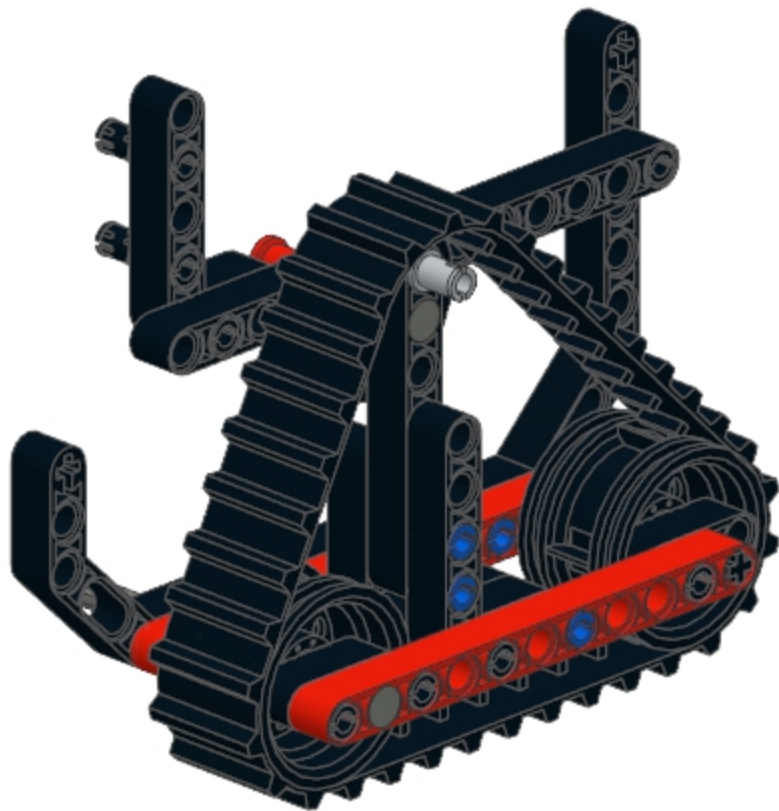
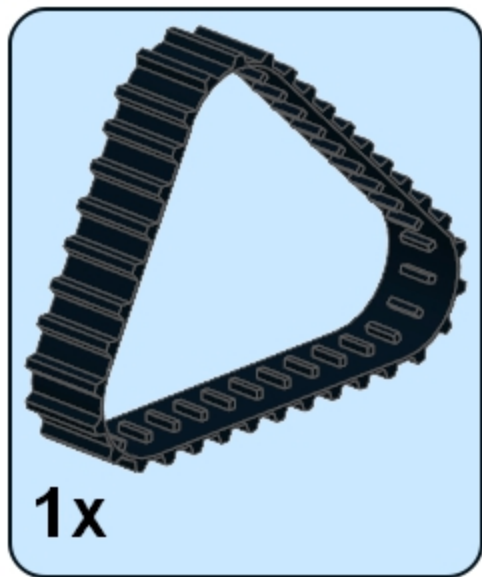
2x

A light blue rounded rectangle containing a parts list. At the top right is the number '13' in red. Below it are three items: a red pin with a cross-shaped hole, a long black Technic axle with 13 holes, and a grey Technic axle pin with a cross-shaped hole. To the left of the red pin is '1x', to the left of the black axle is '1x', and to the left of the grey pin is '2x'.

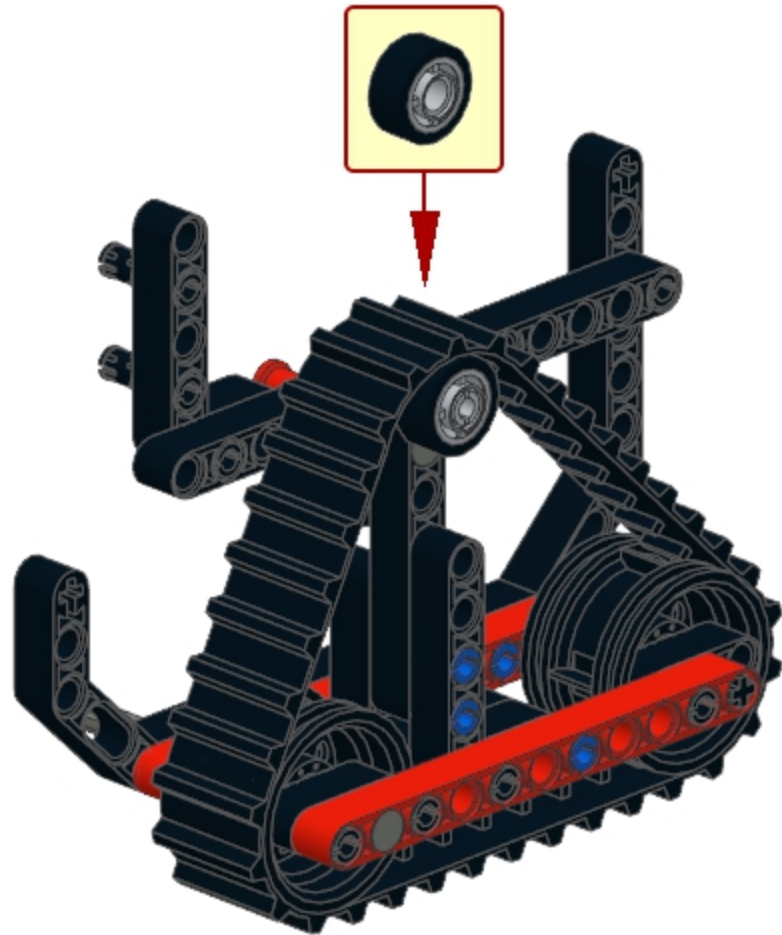
12



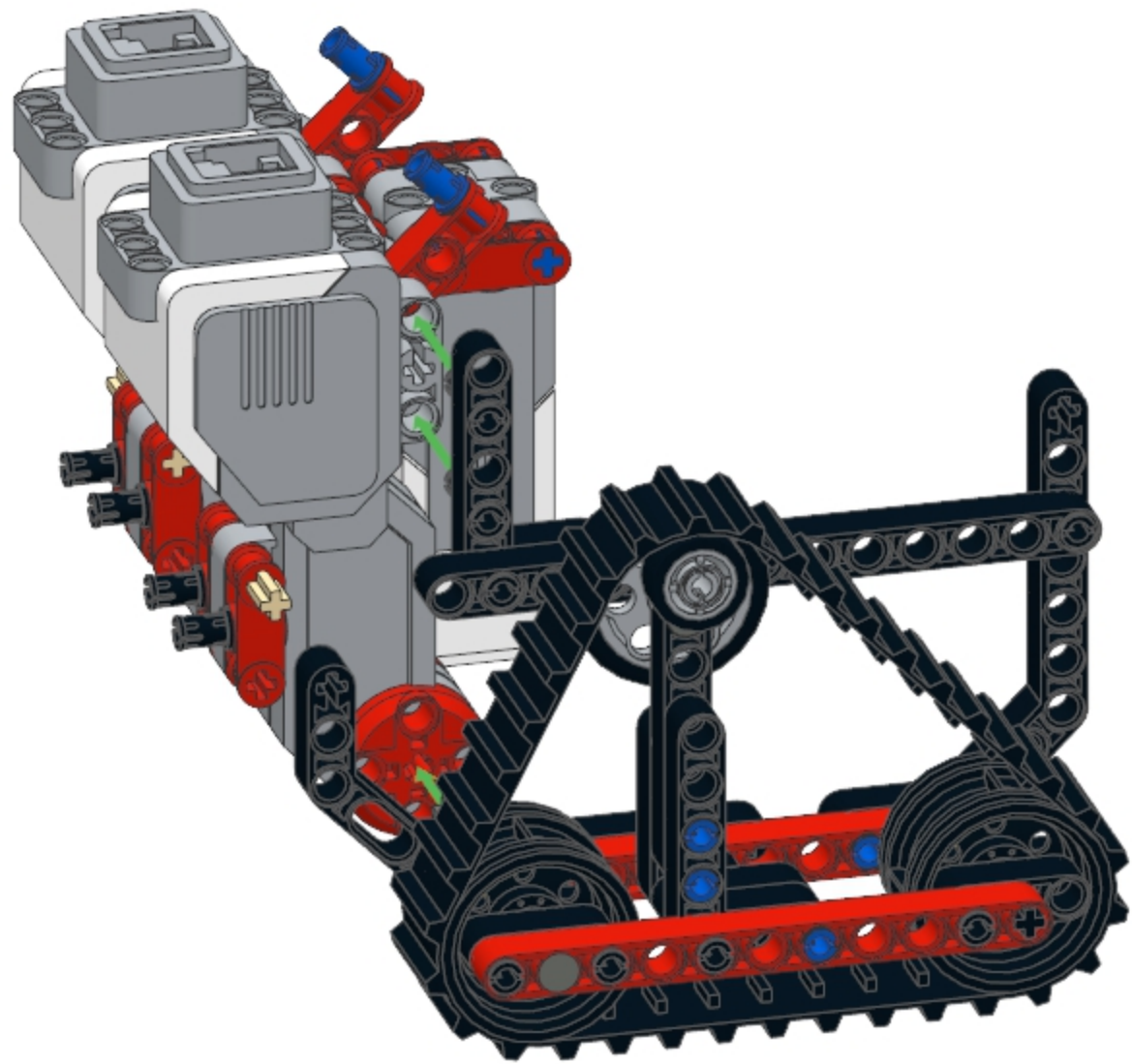
13



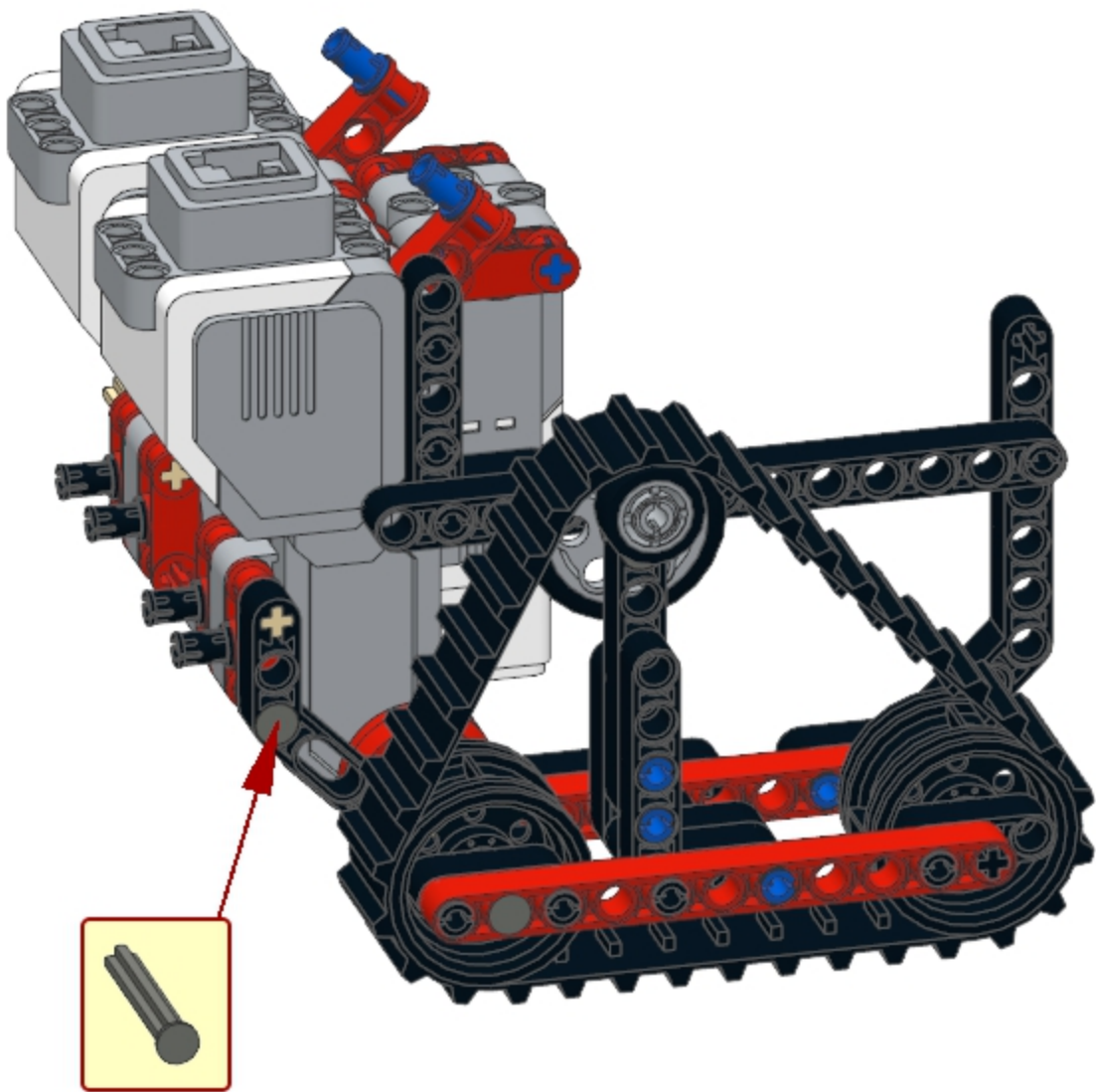
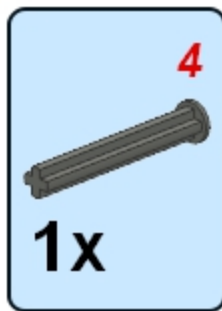
14



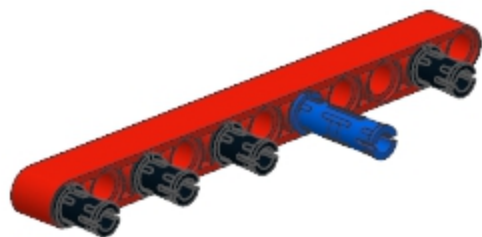
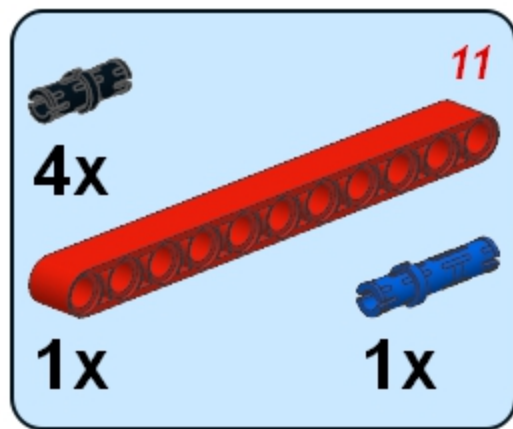
1



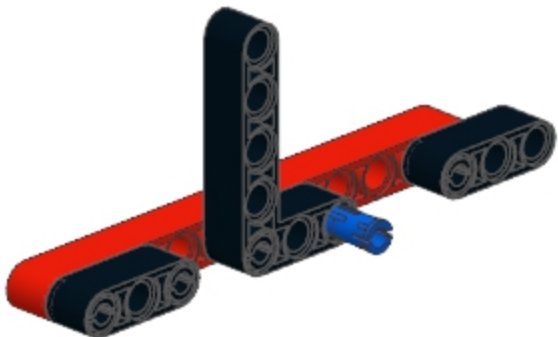
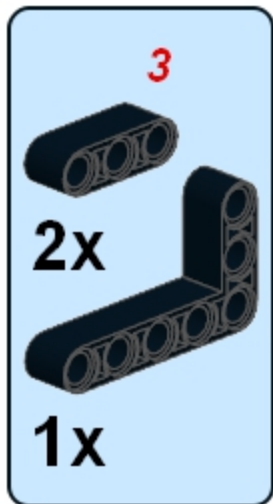
2



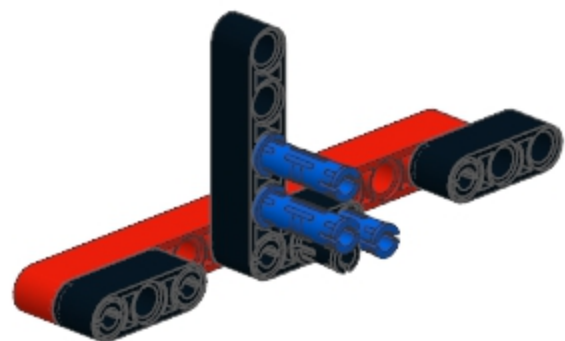
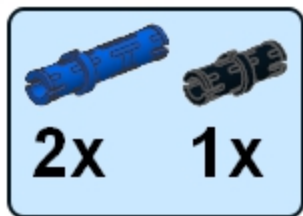
1



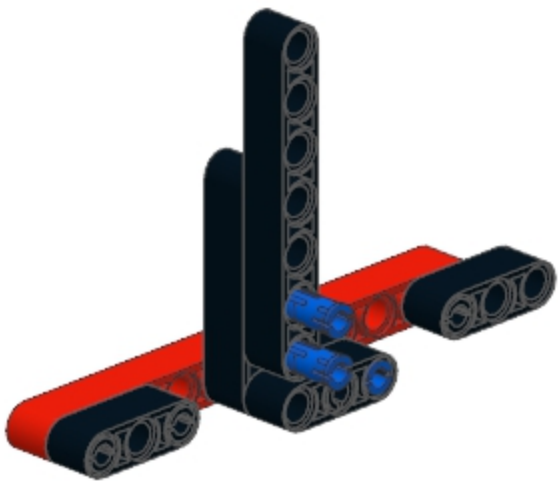
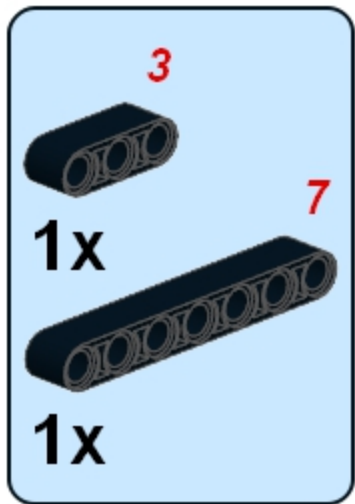
2



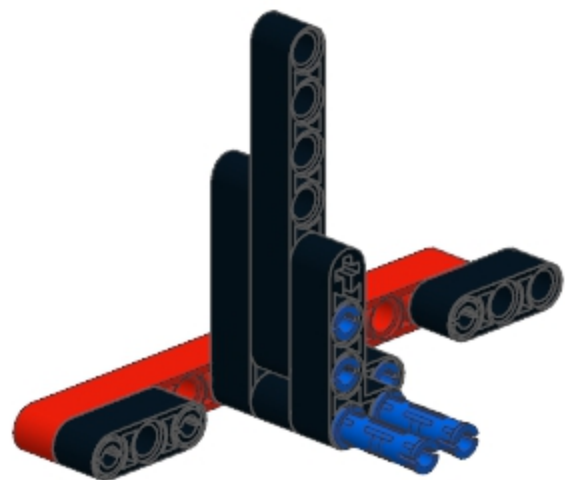
3



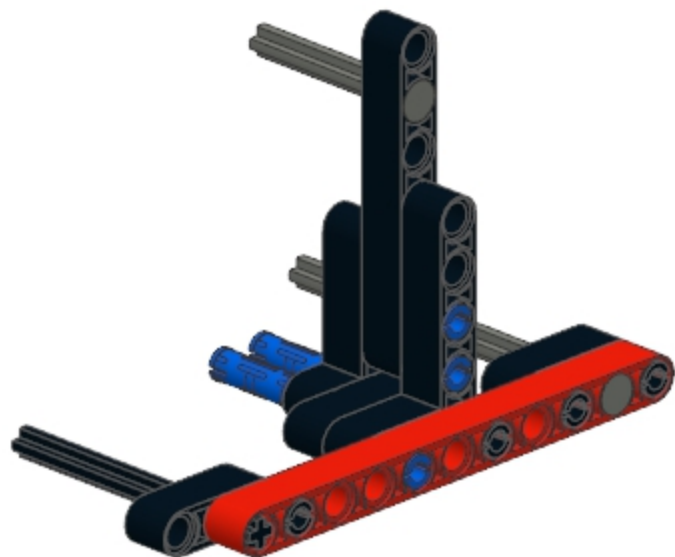
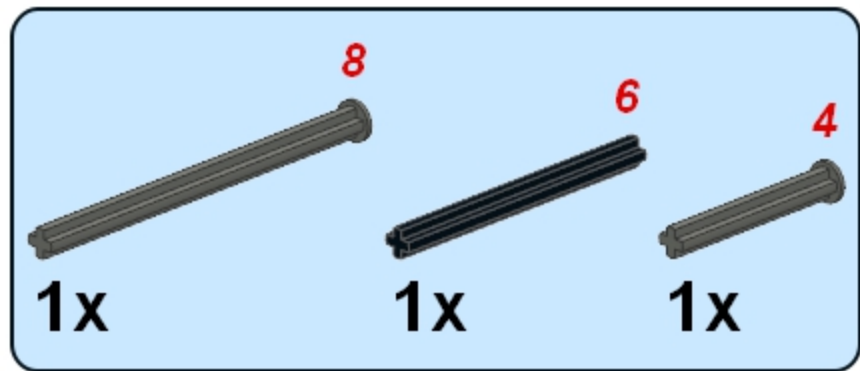
4



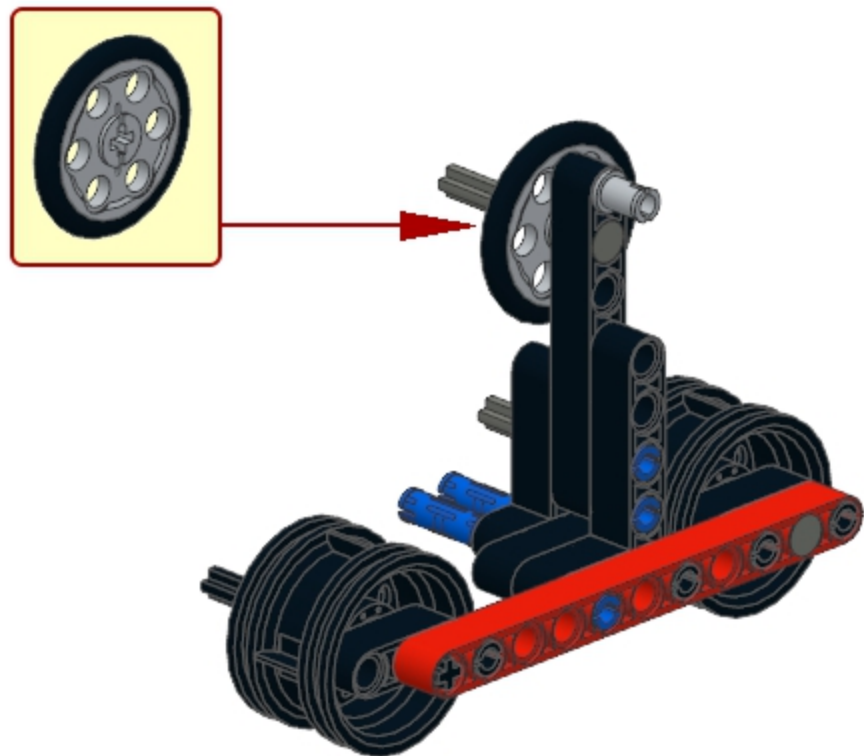
5



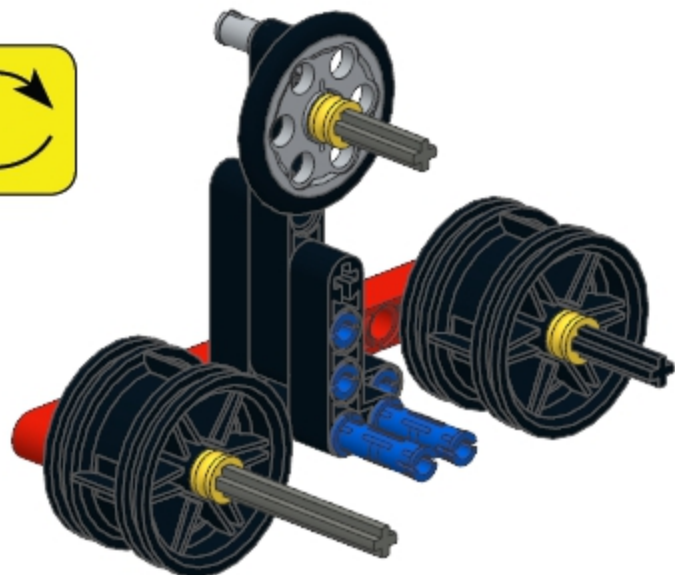
6



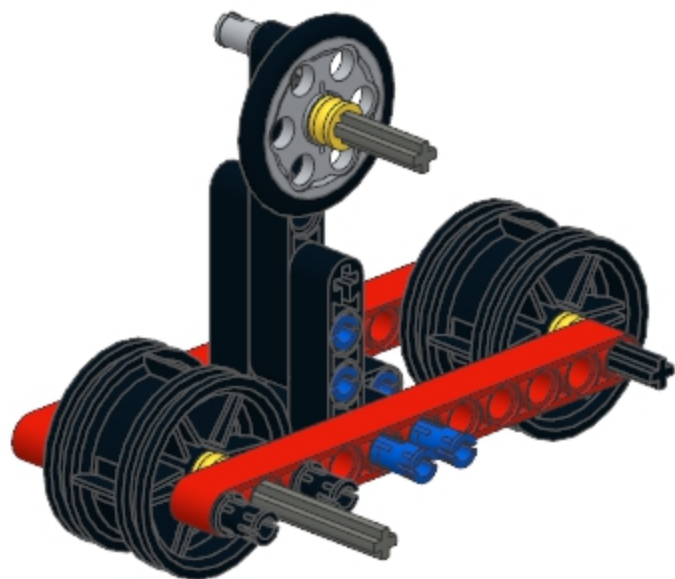
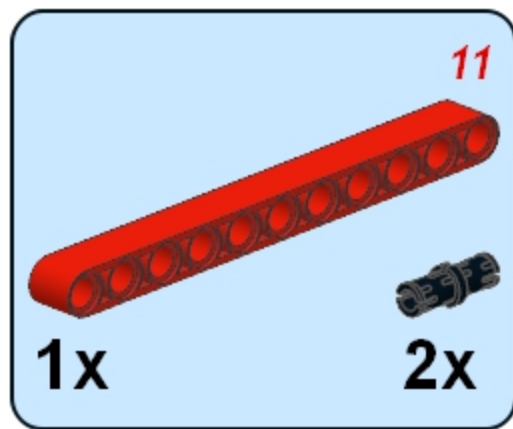
7



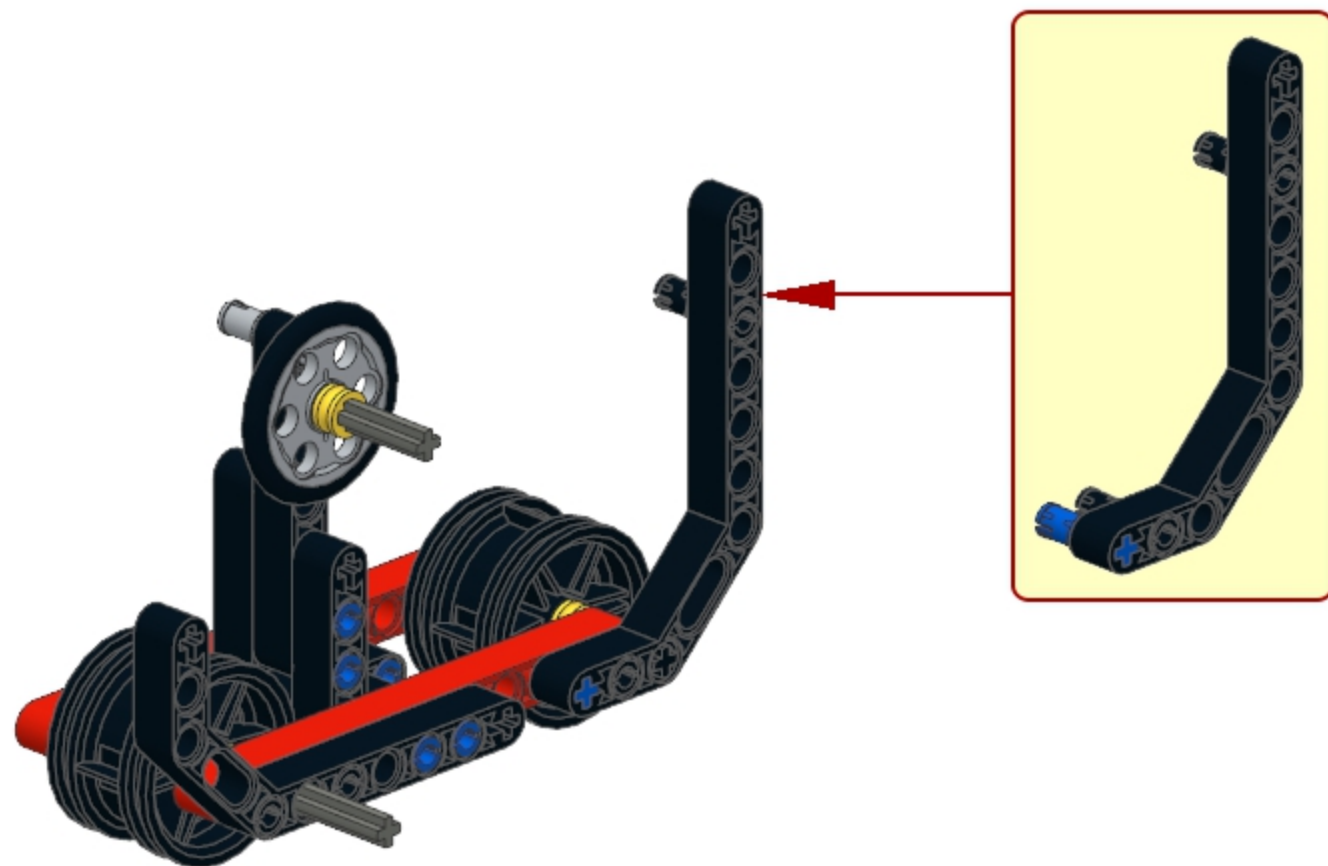
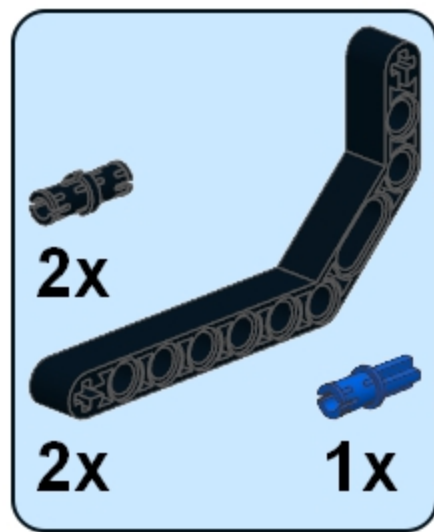
8



9



10



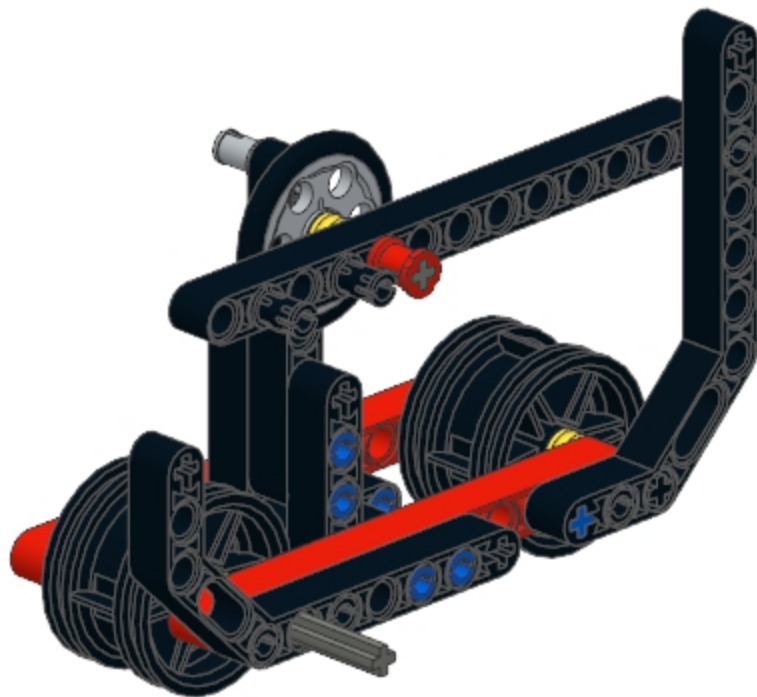
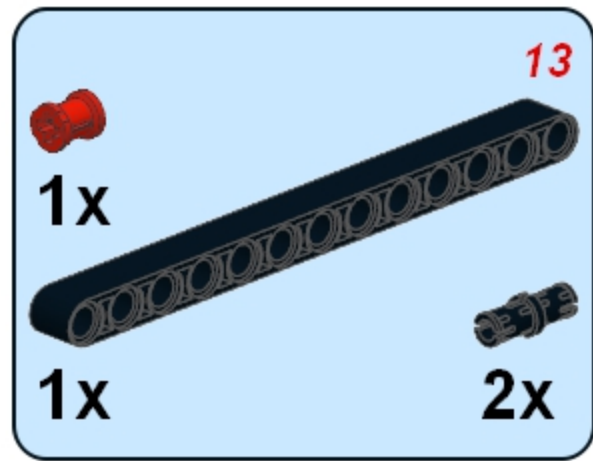
11

1x

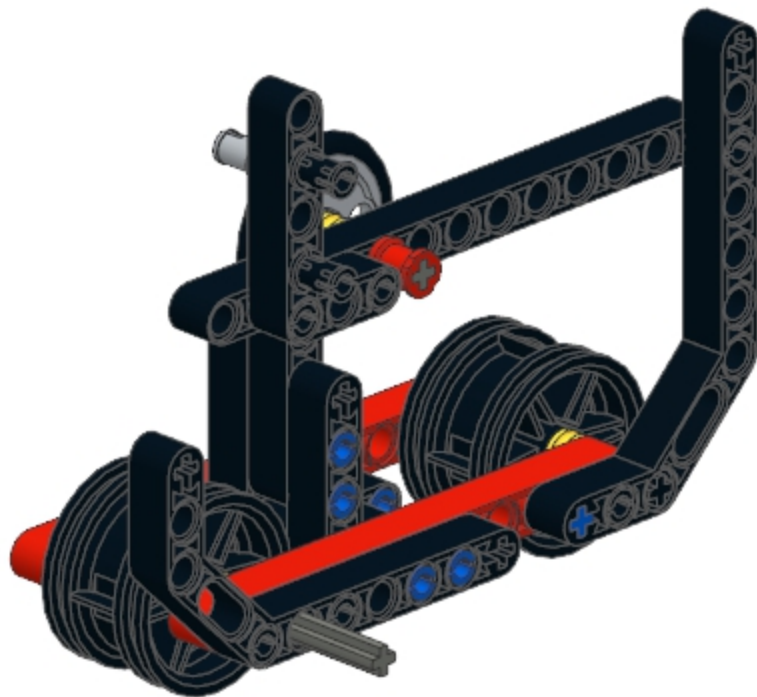
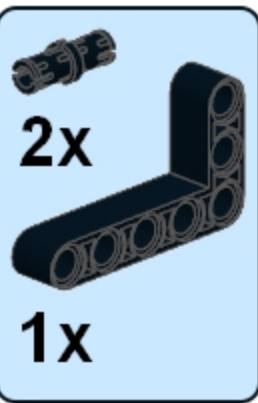
13

1x

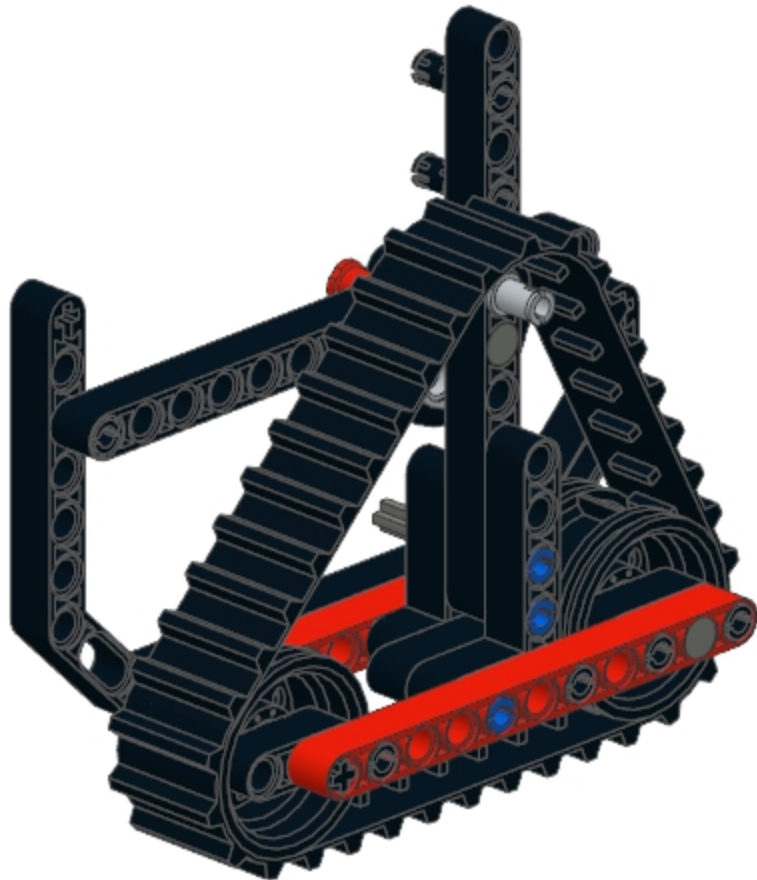
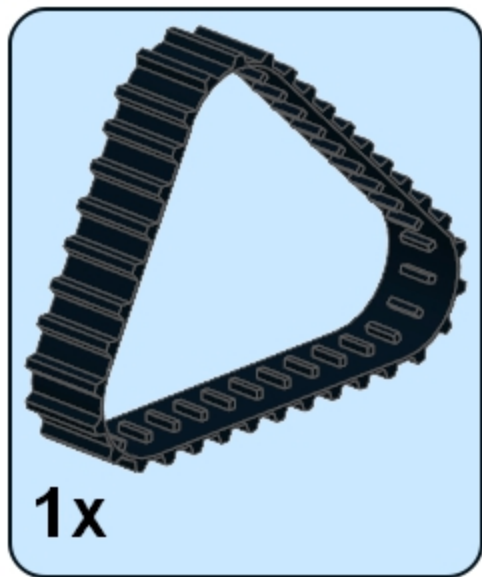
2x



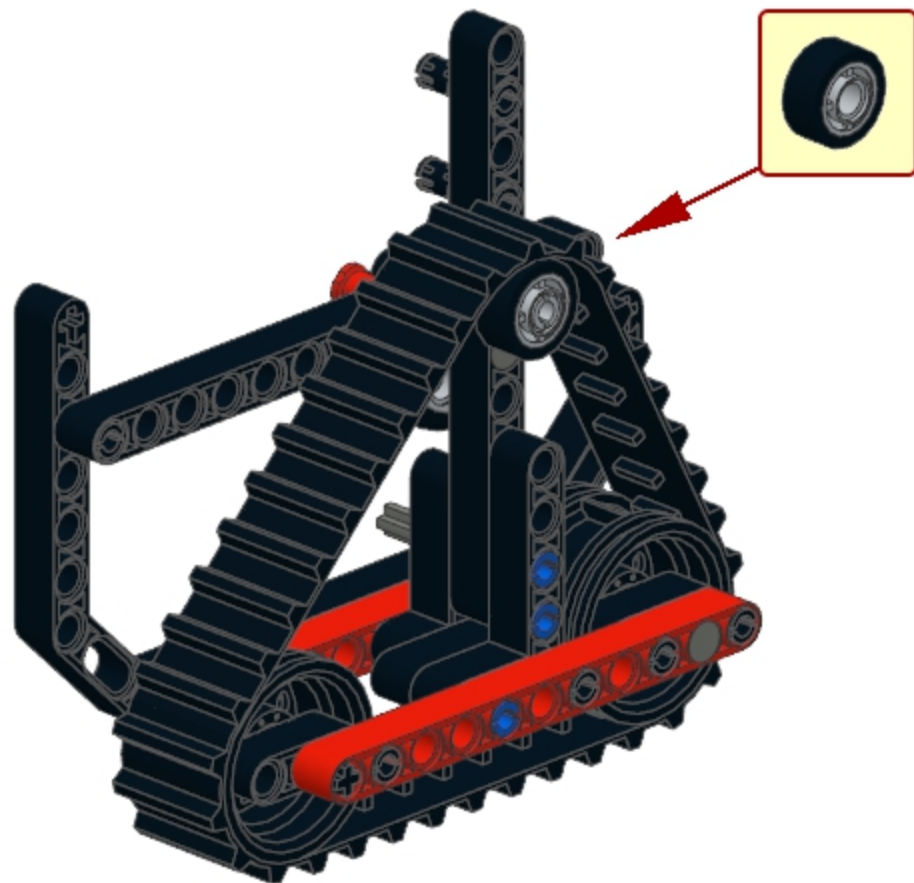
12



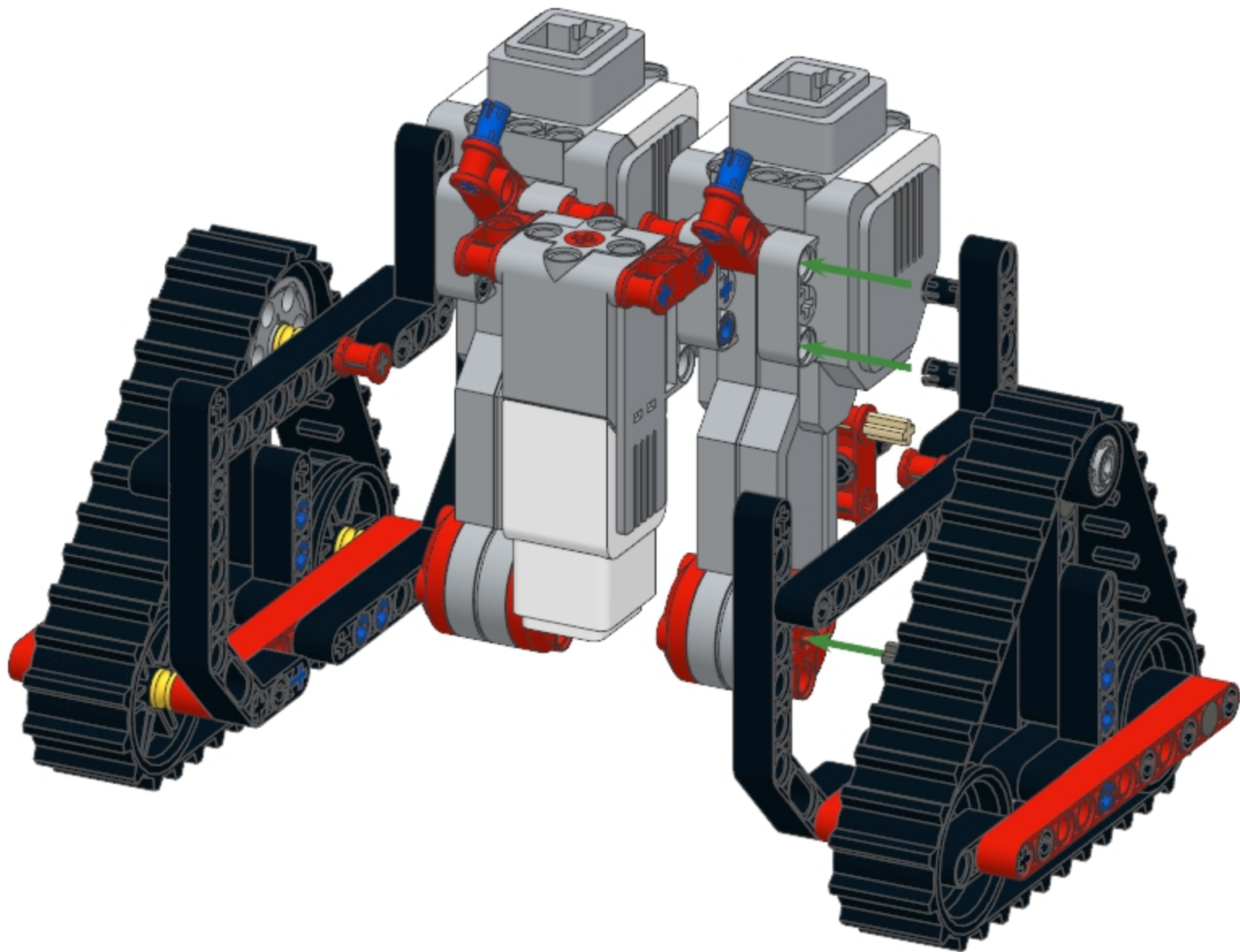
13



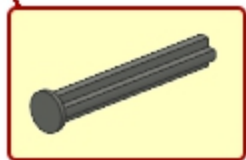
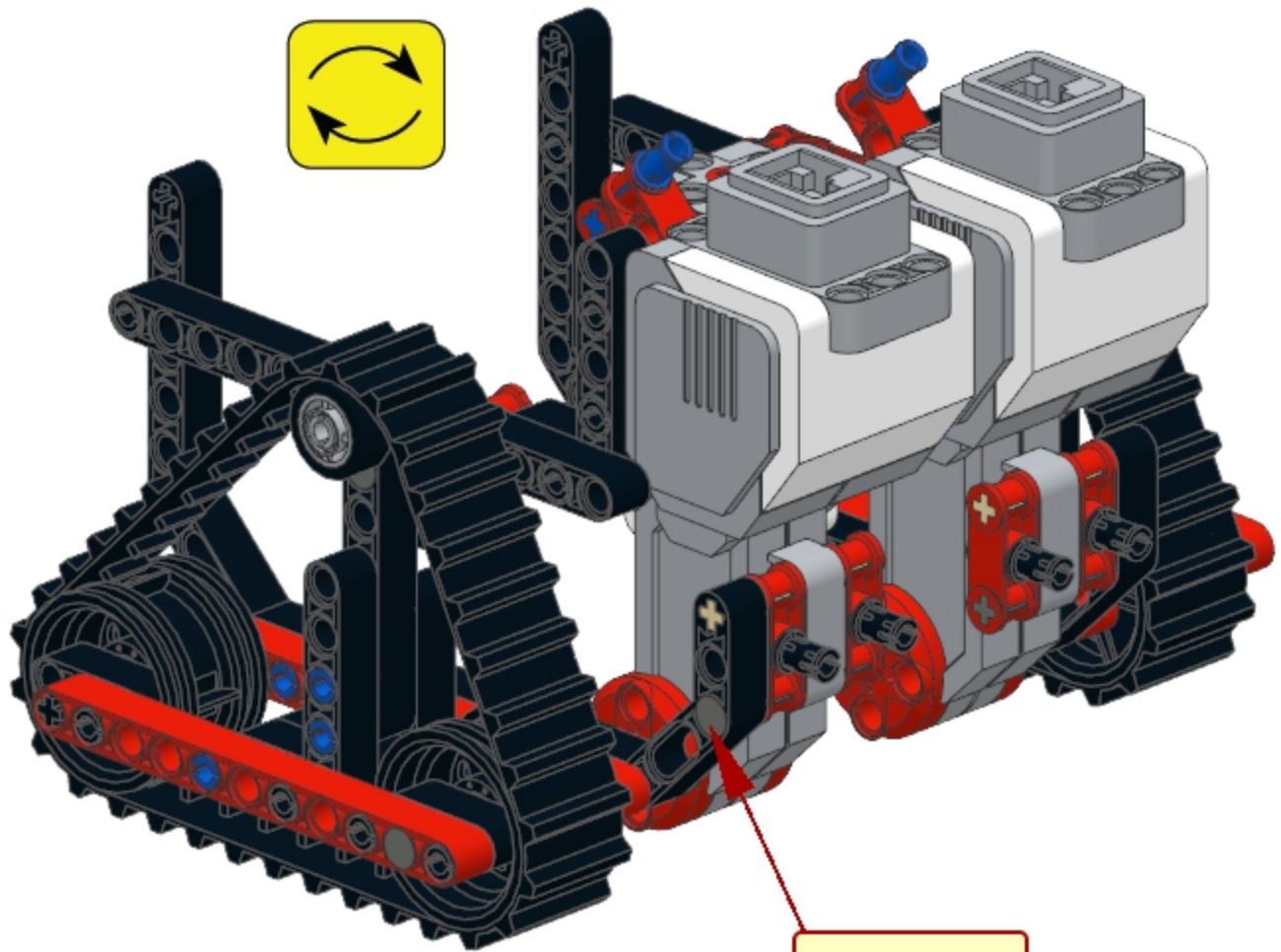
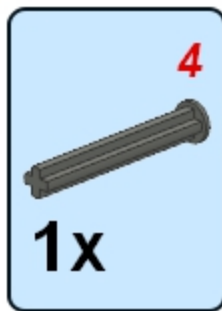
14

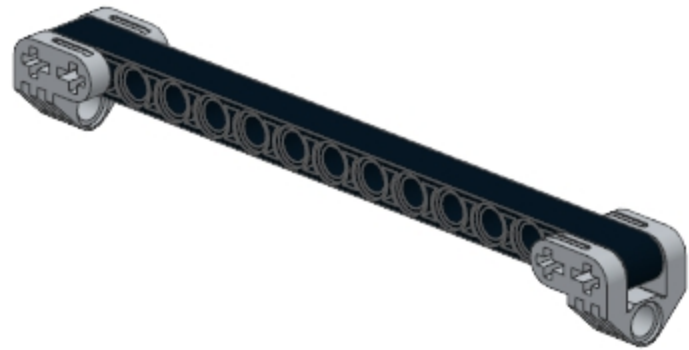
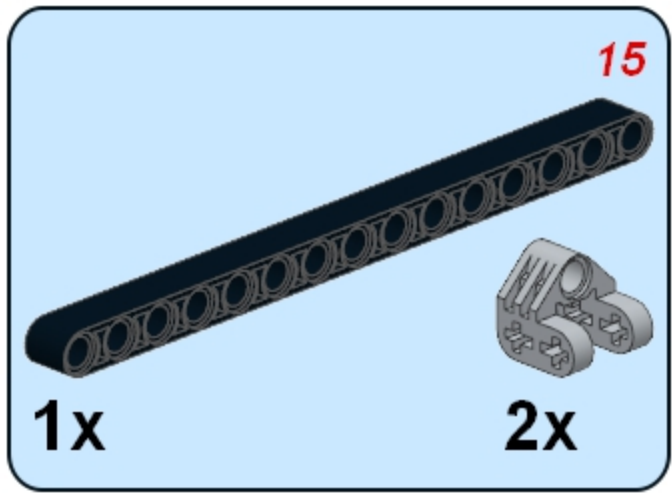


3

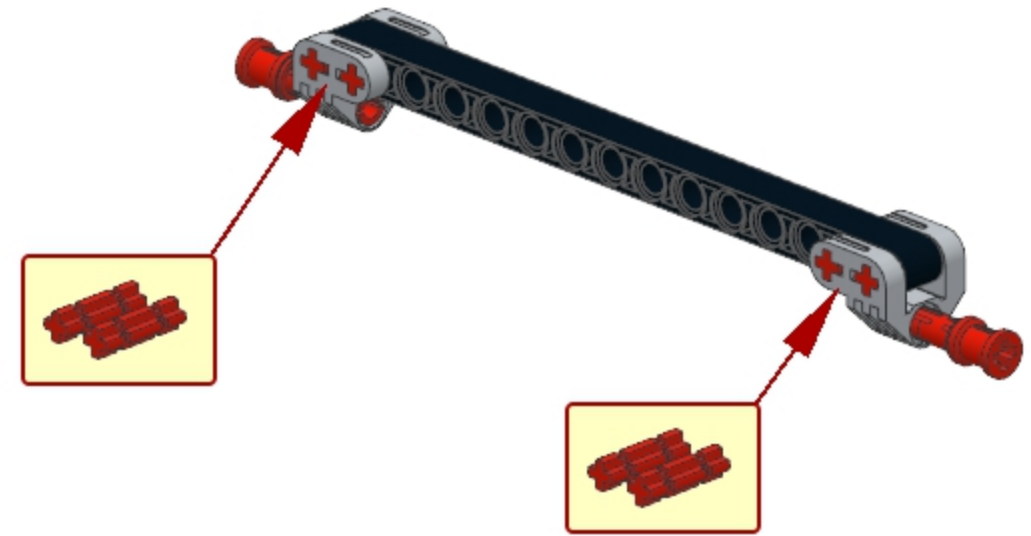
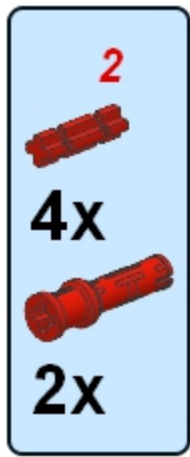


4

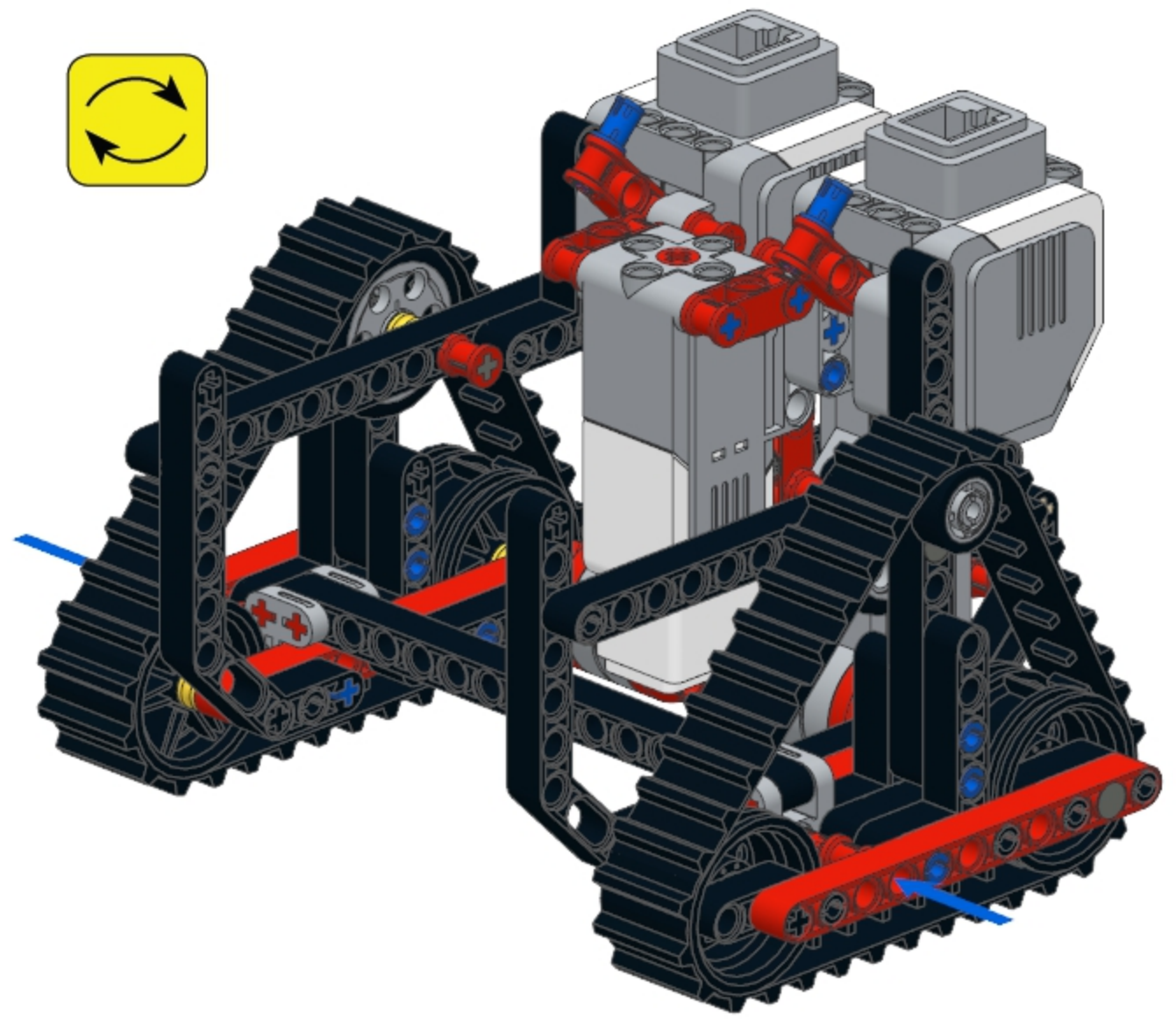




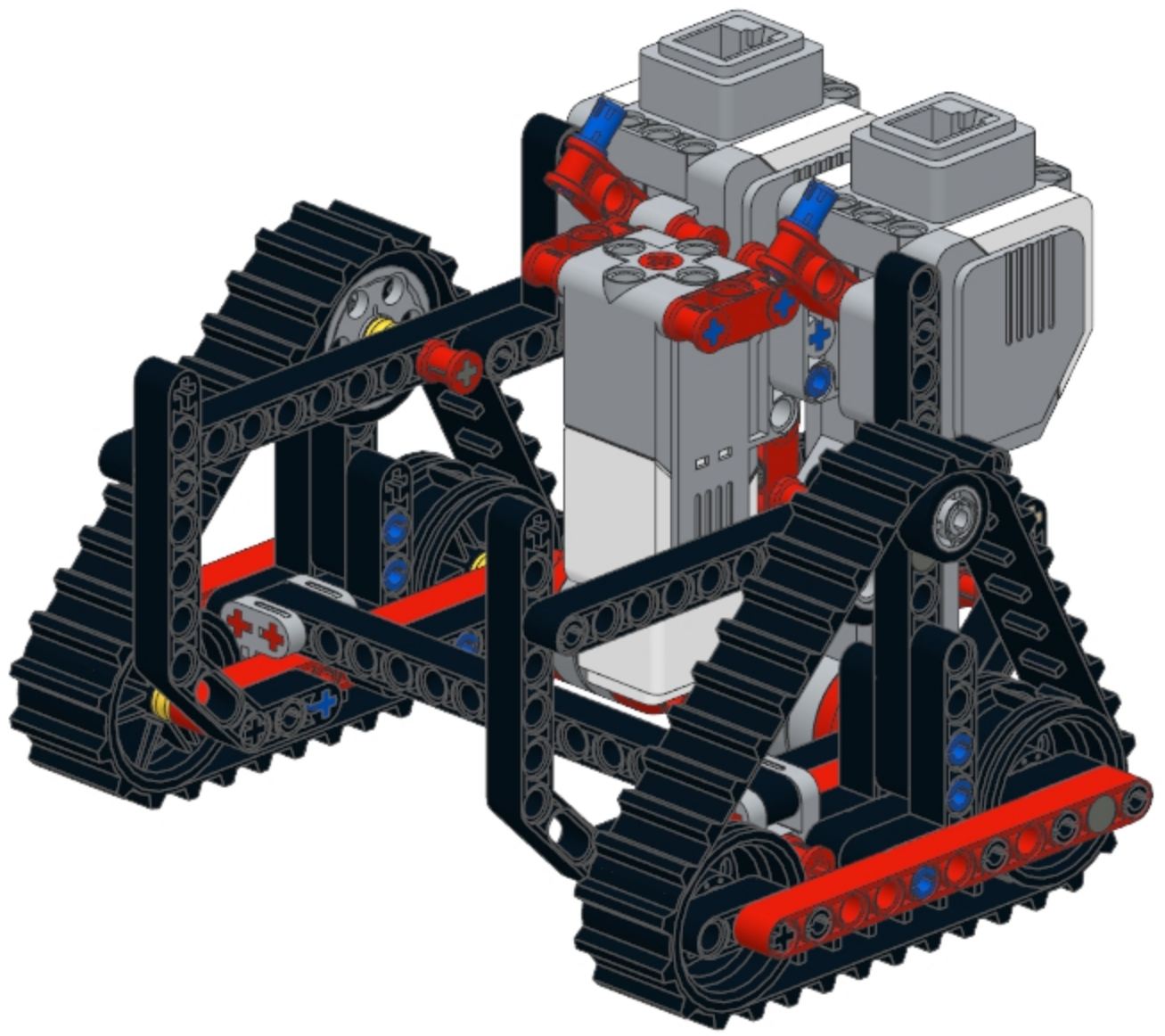
2
4x
2x



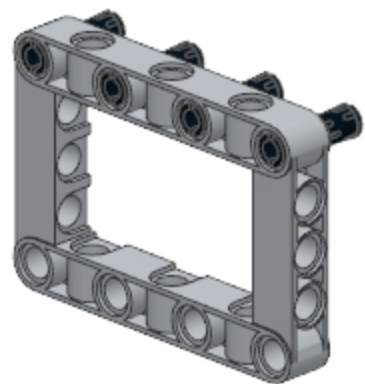
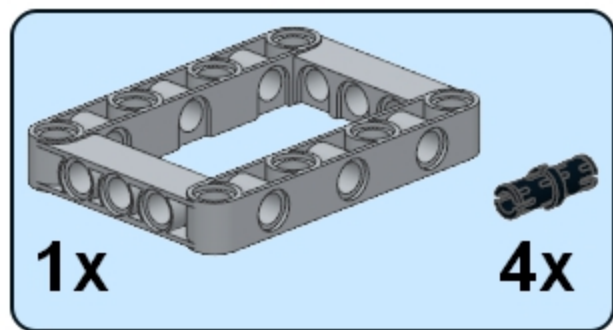
5



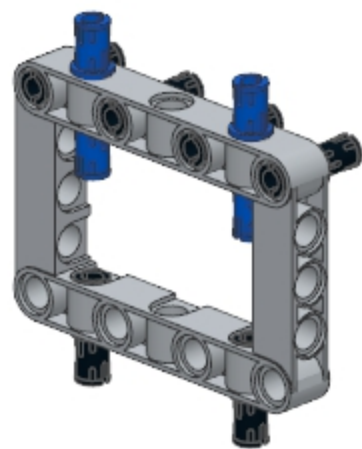
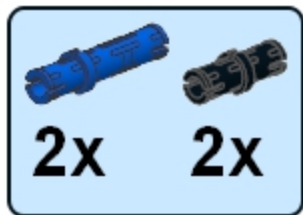
6



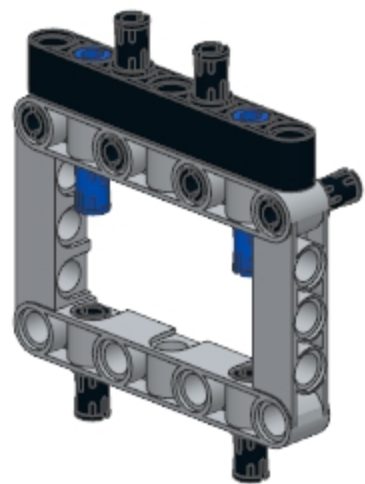
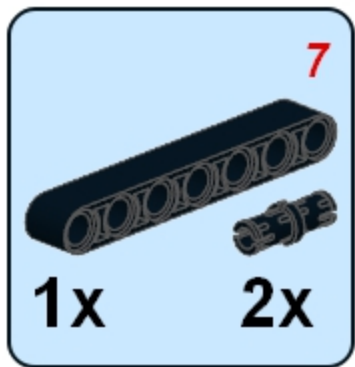
1



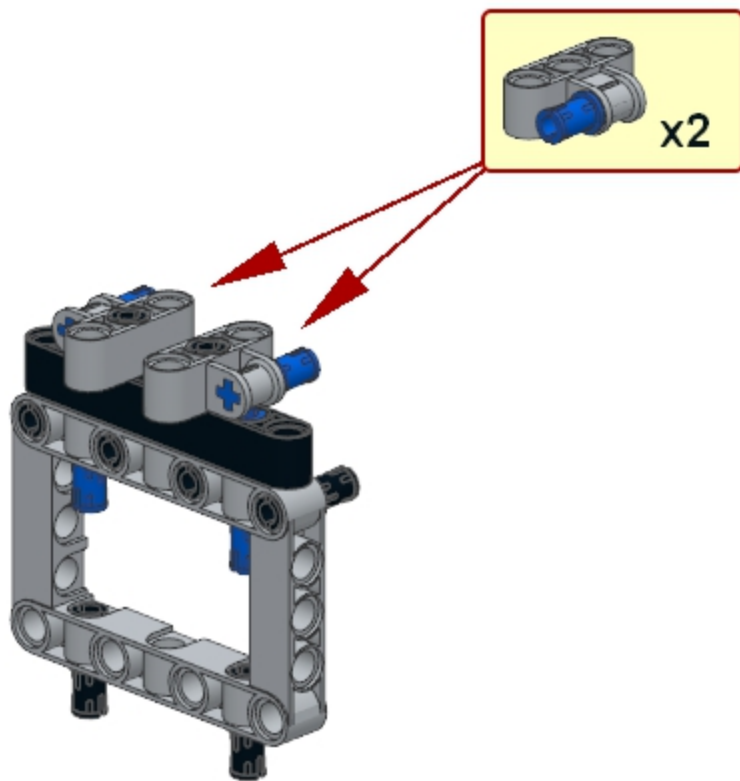
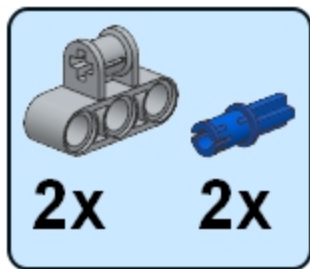
2



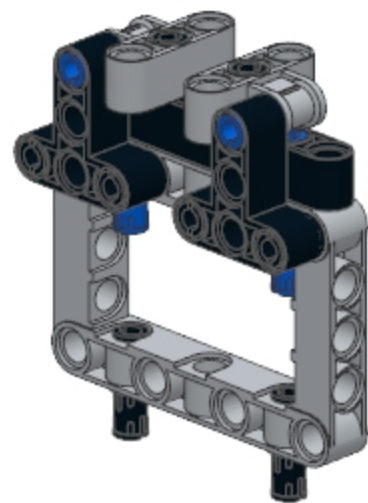
3



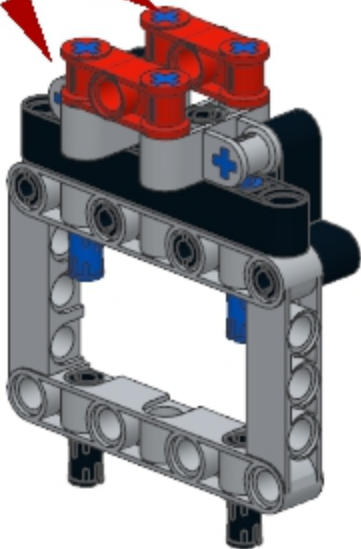
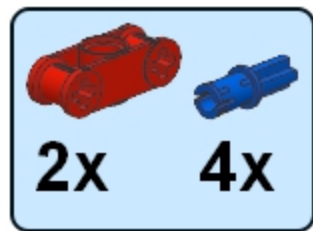
4



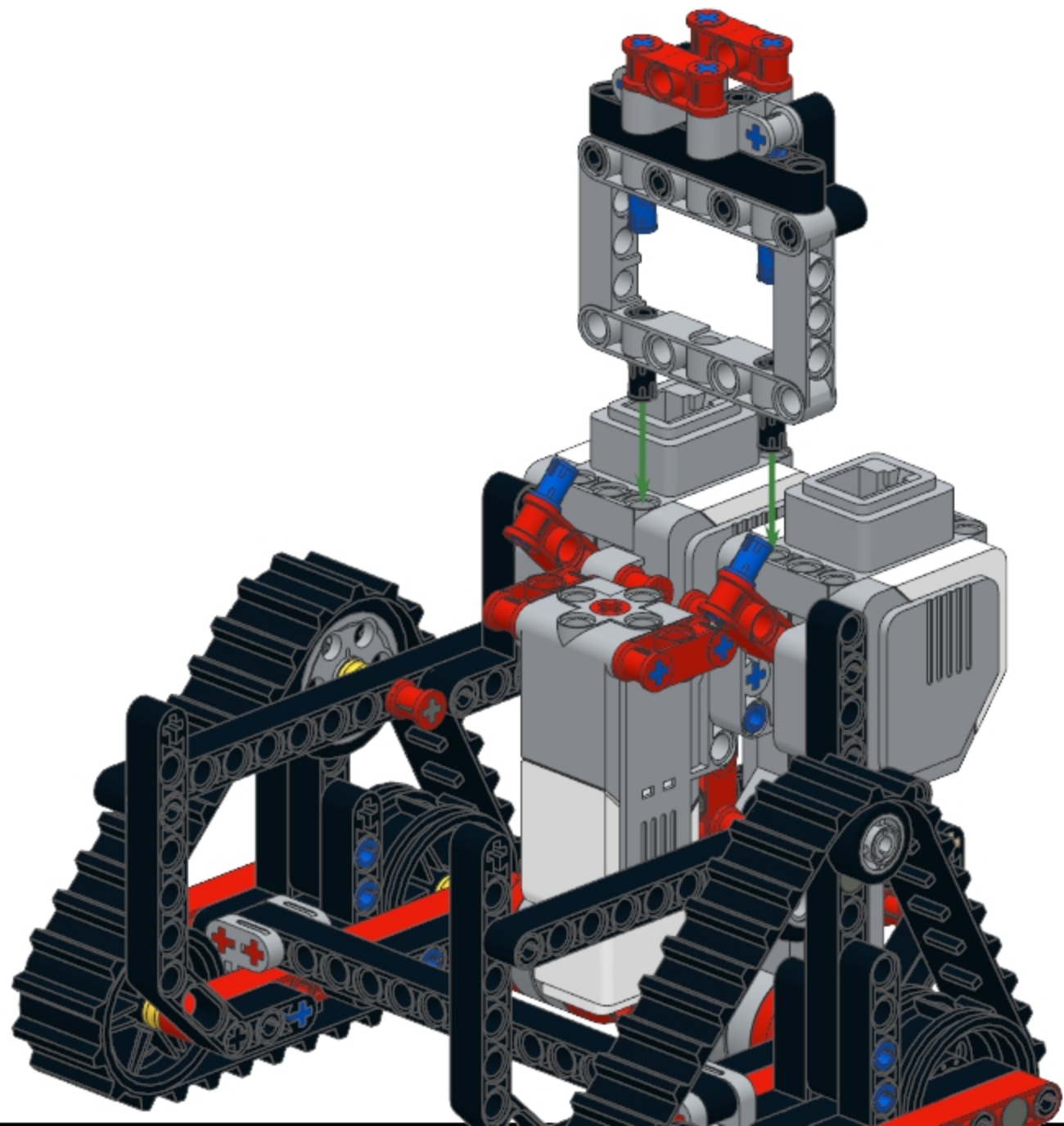
5



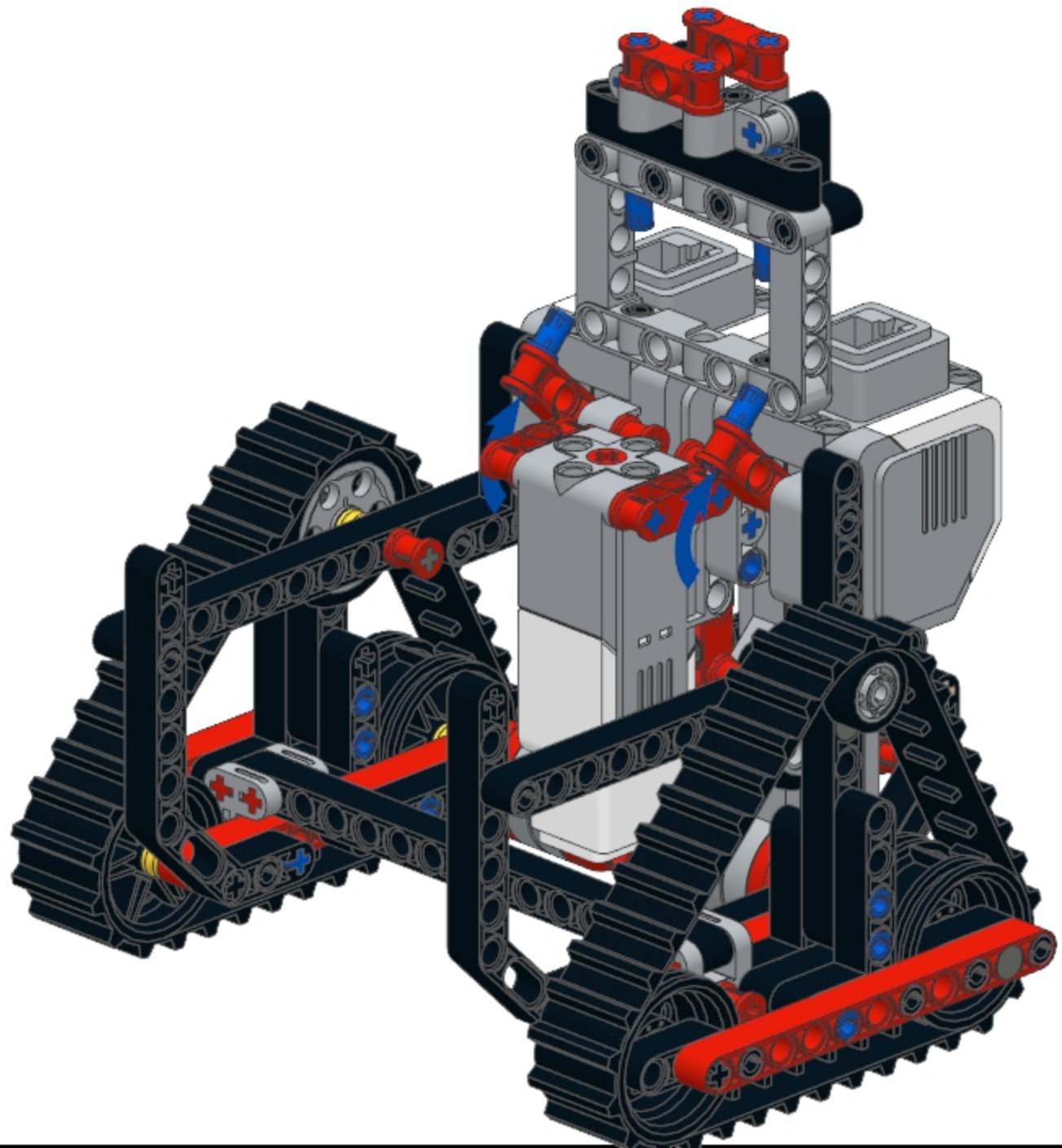
6



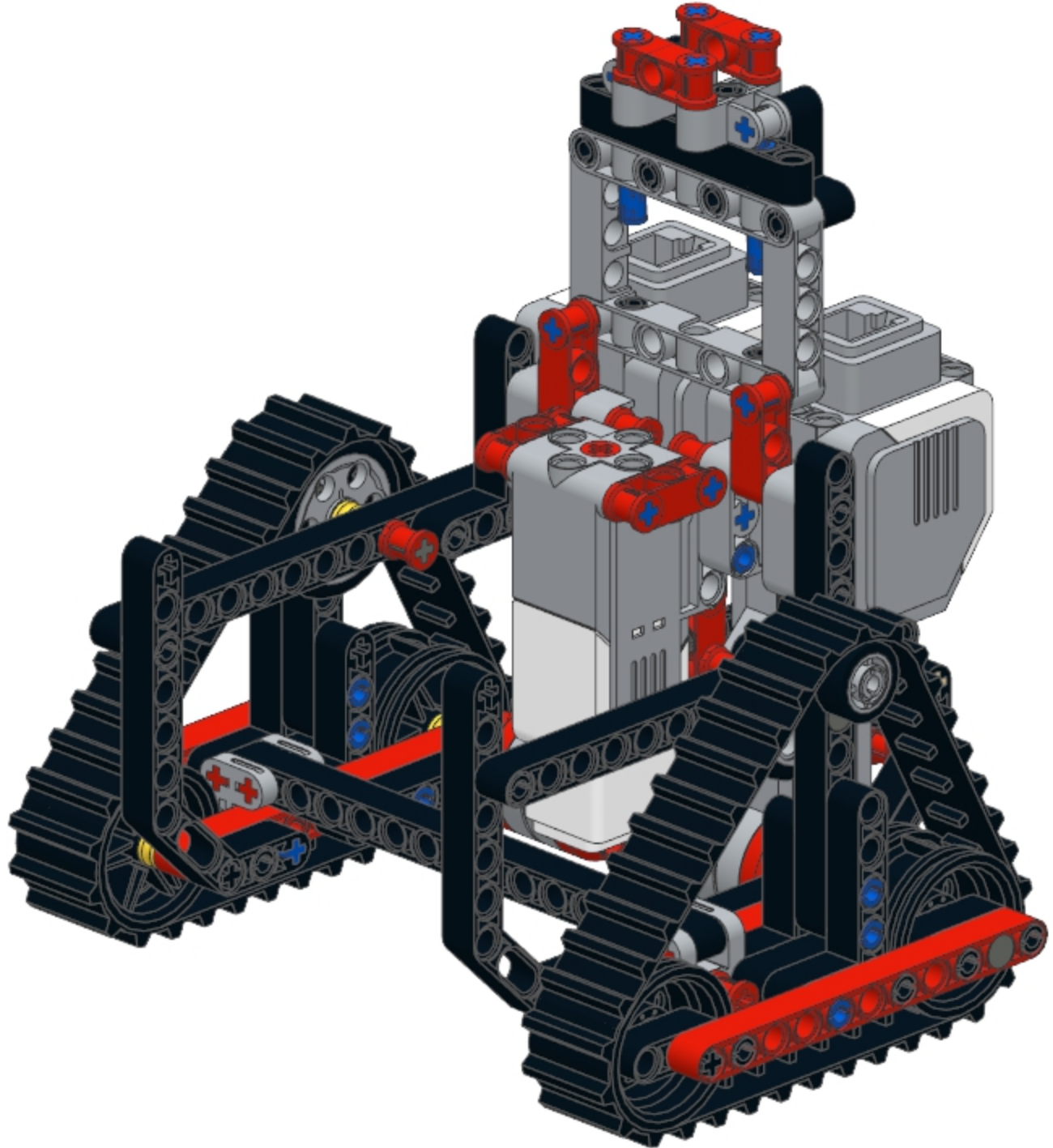
7



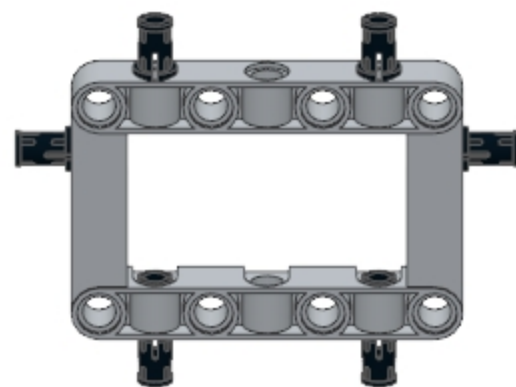
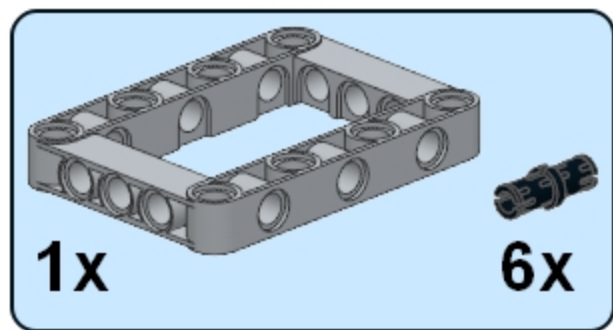
8



9



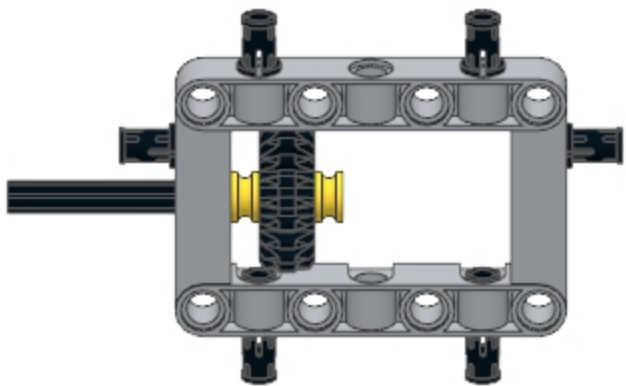
1



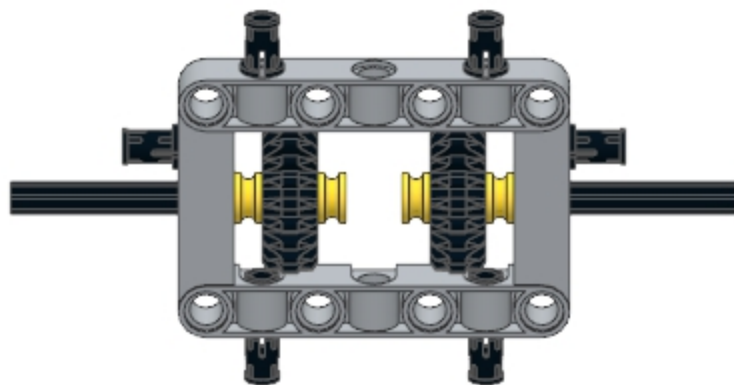
2



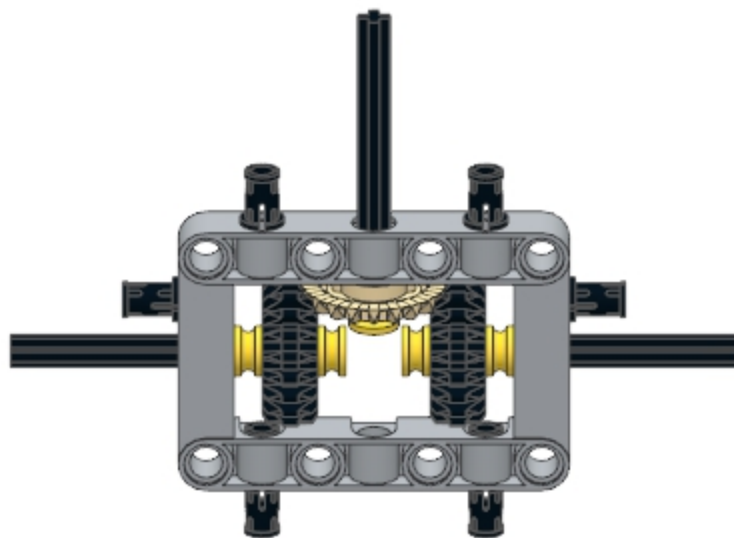
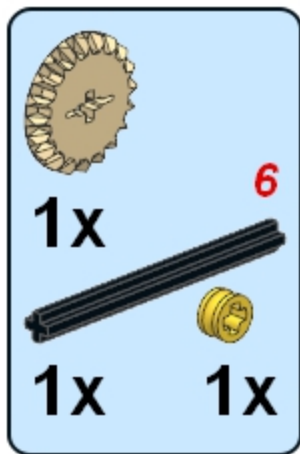
1x  6
1x  1x
2x 




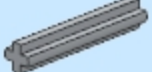
3

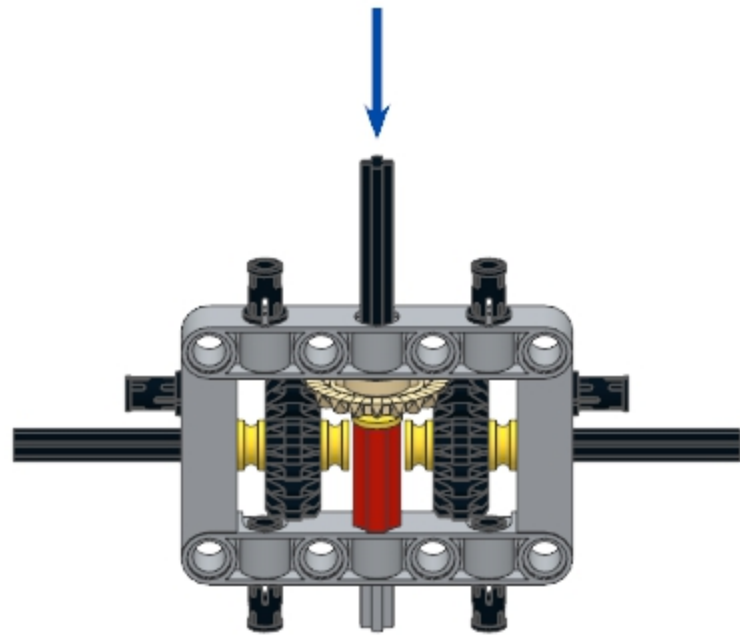


4

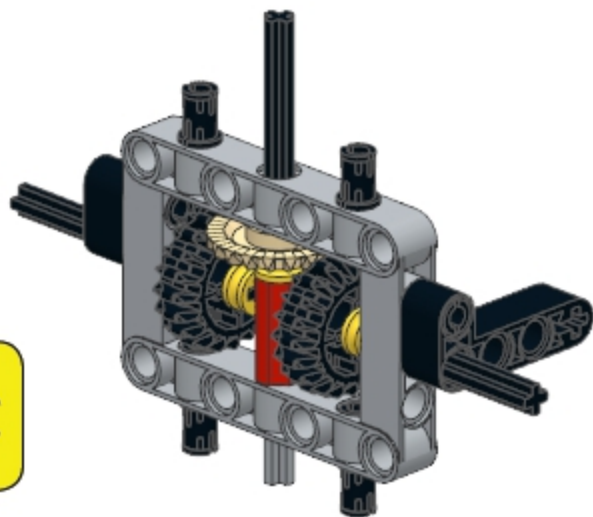


5

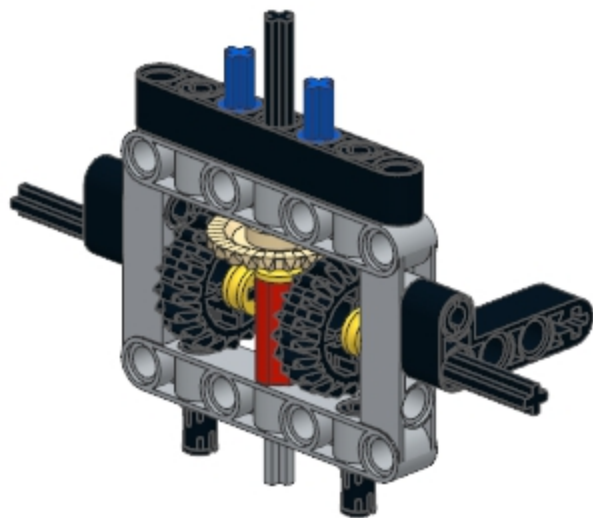
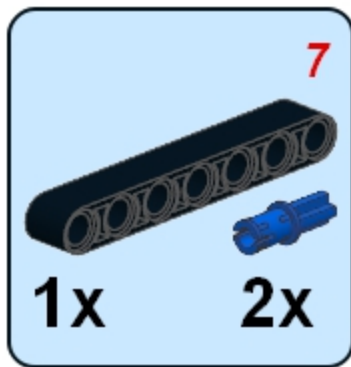
1x  3
1x 



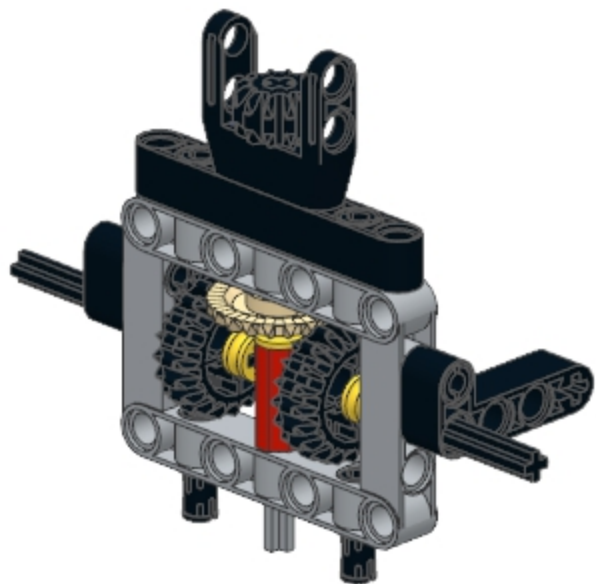
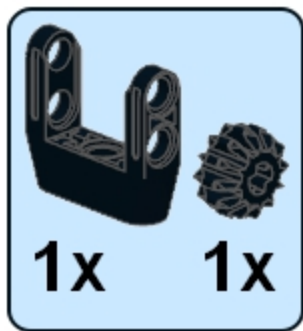
6



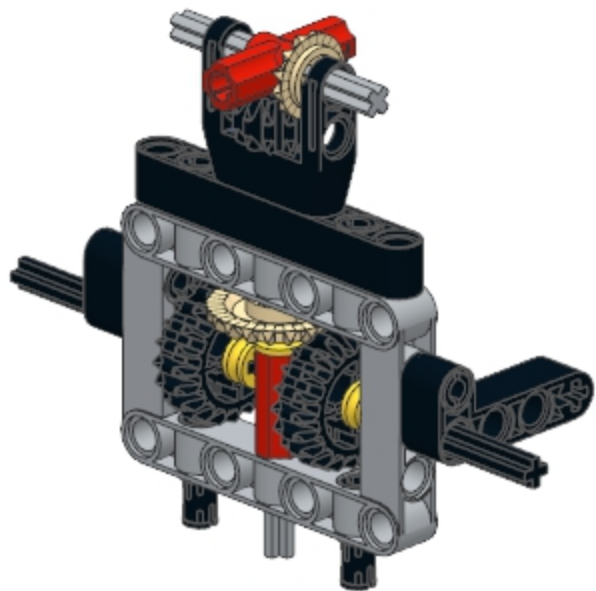
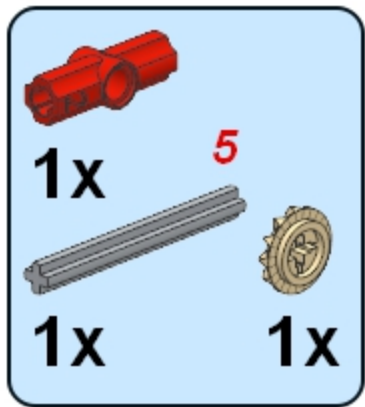
7



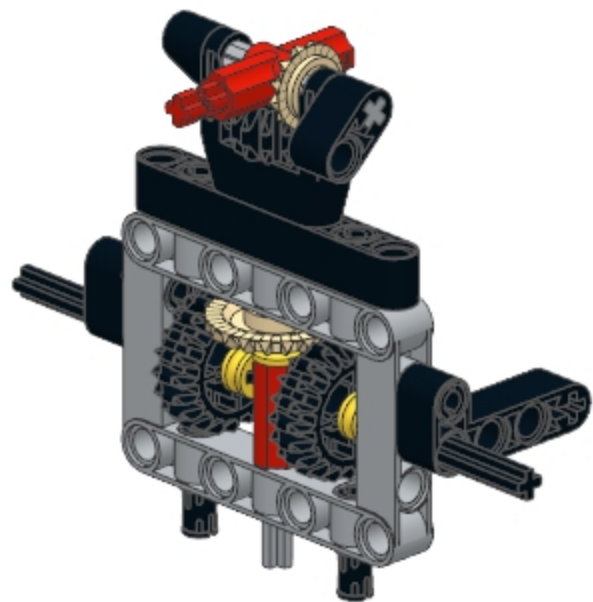
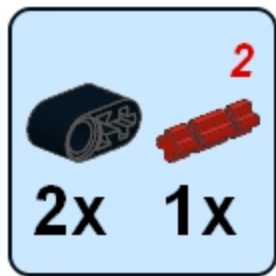
8



9




10

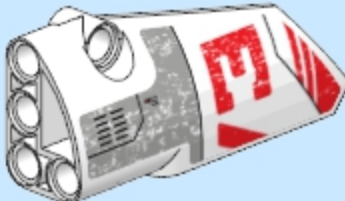


11

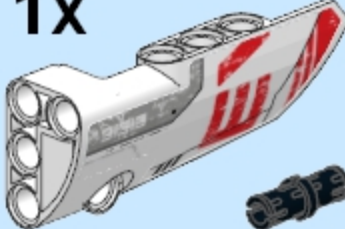
5




2x



1x




1x

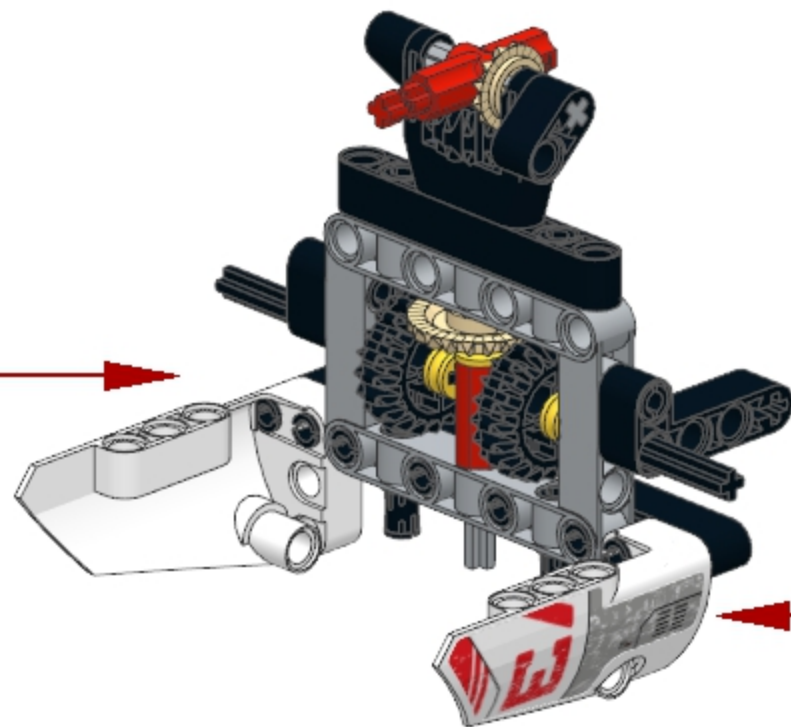
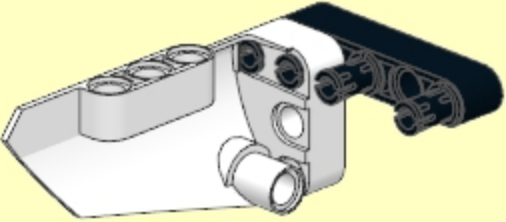


8x


1



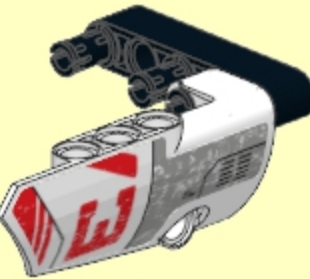
2



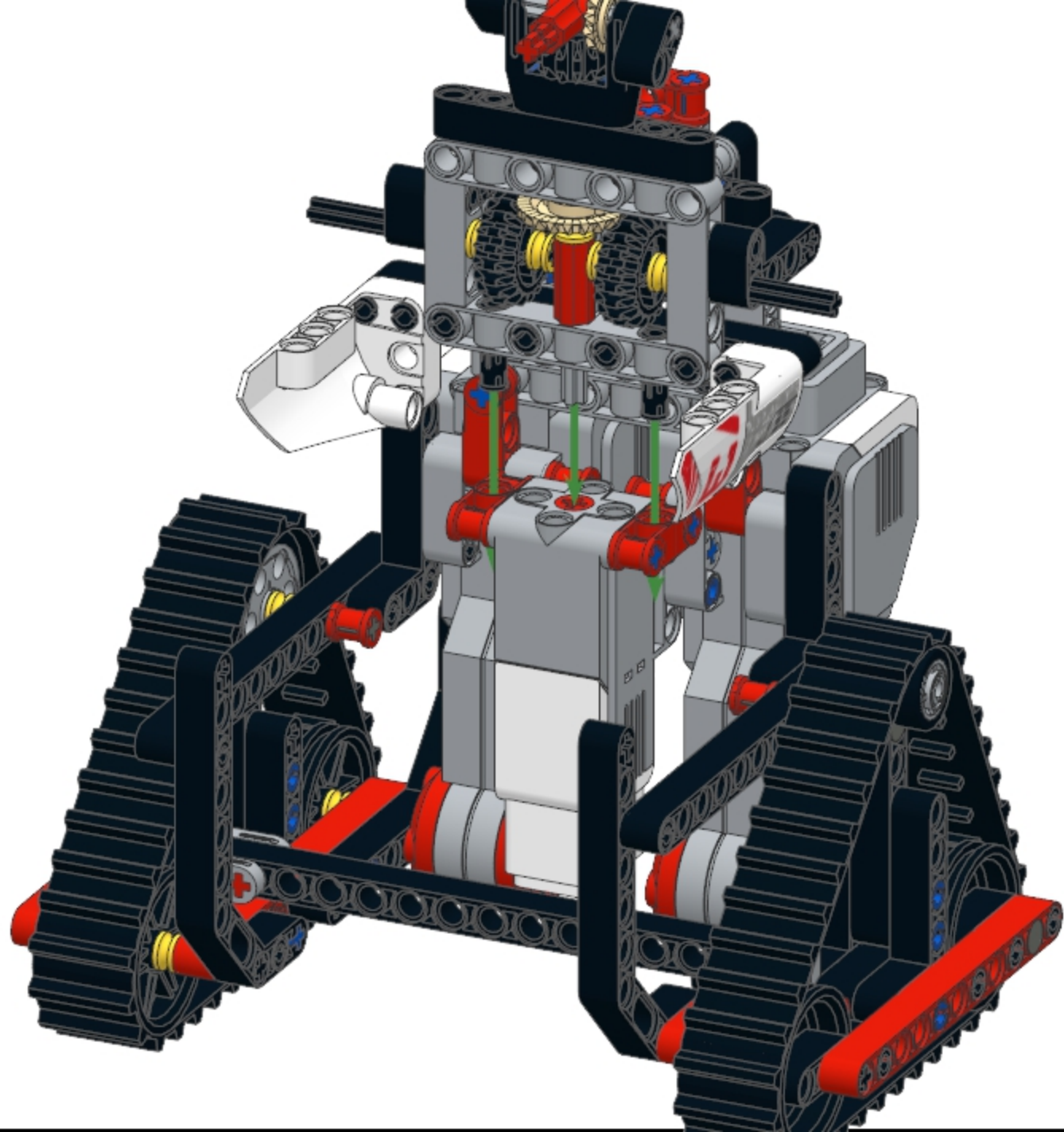
1



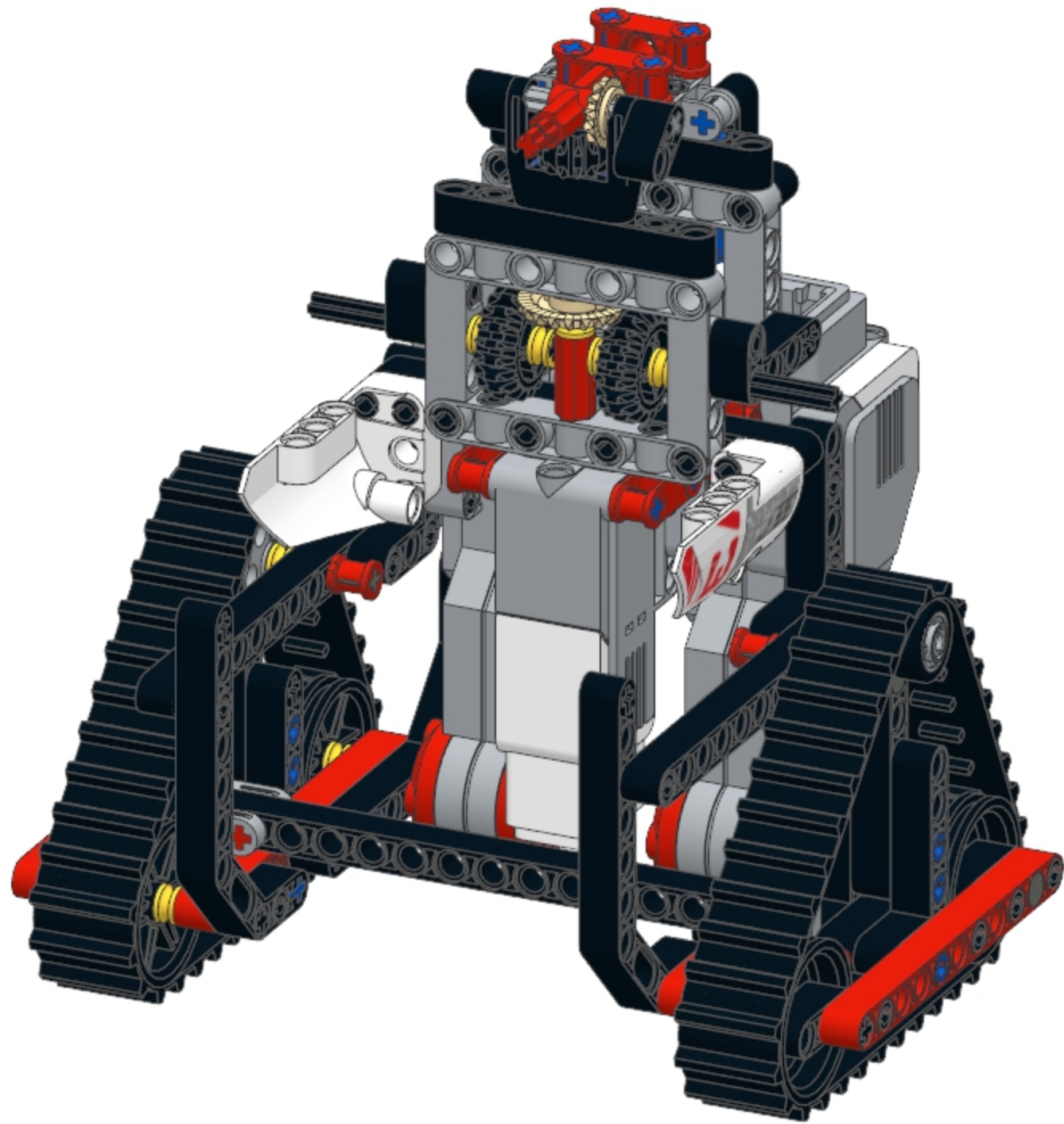
2



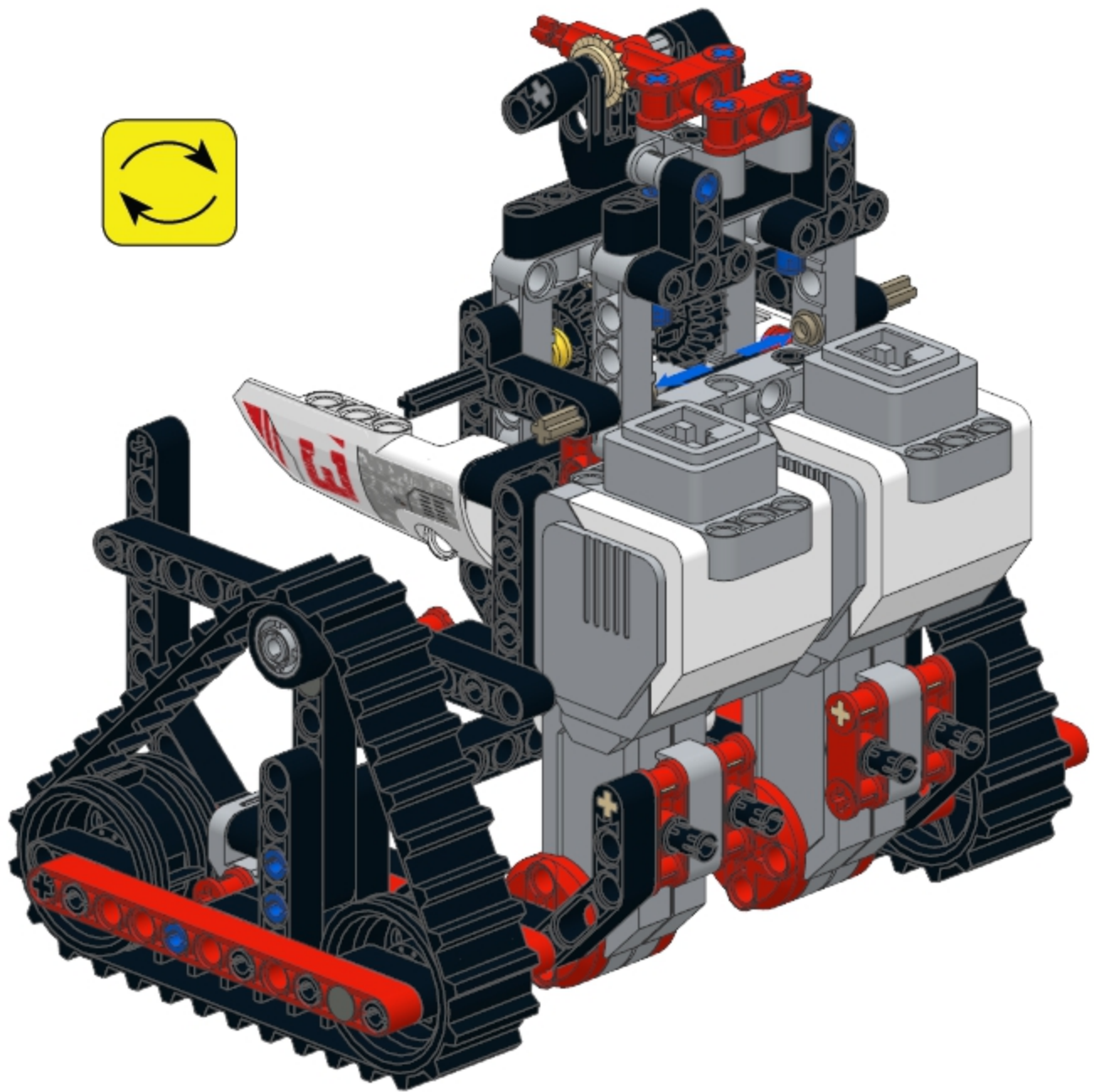
10



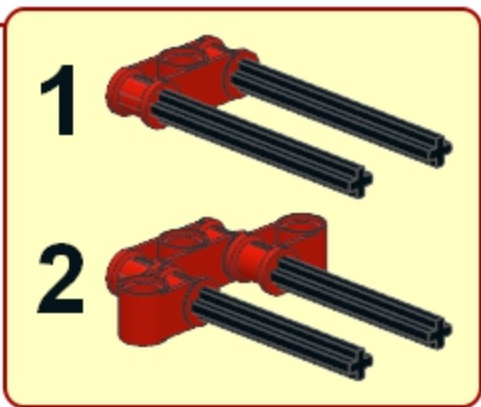
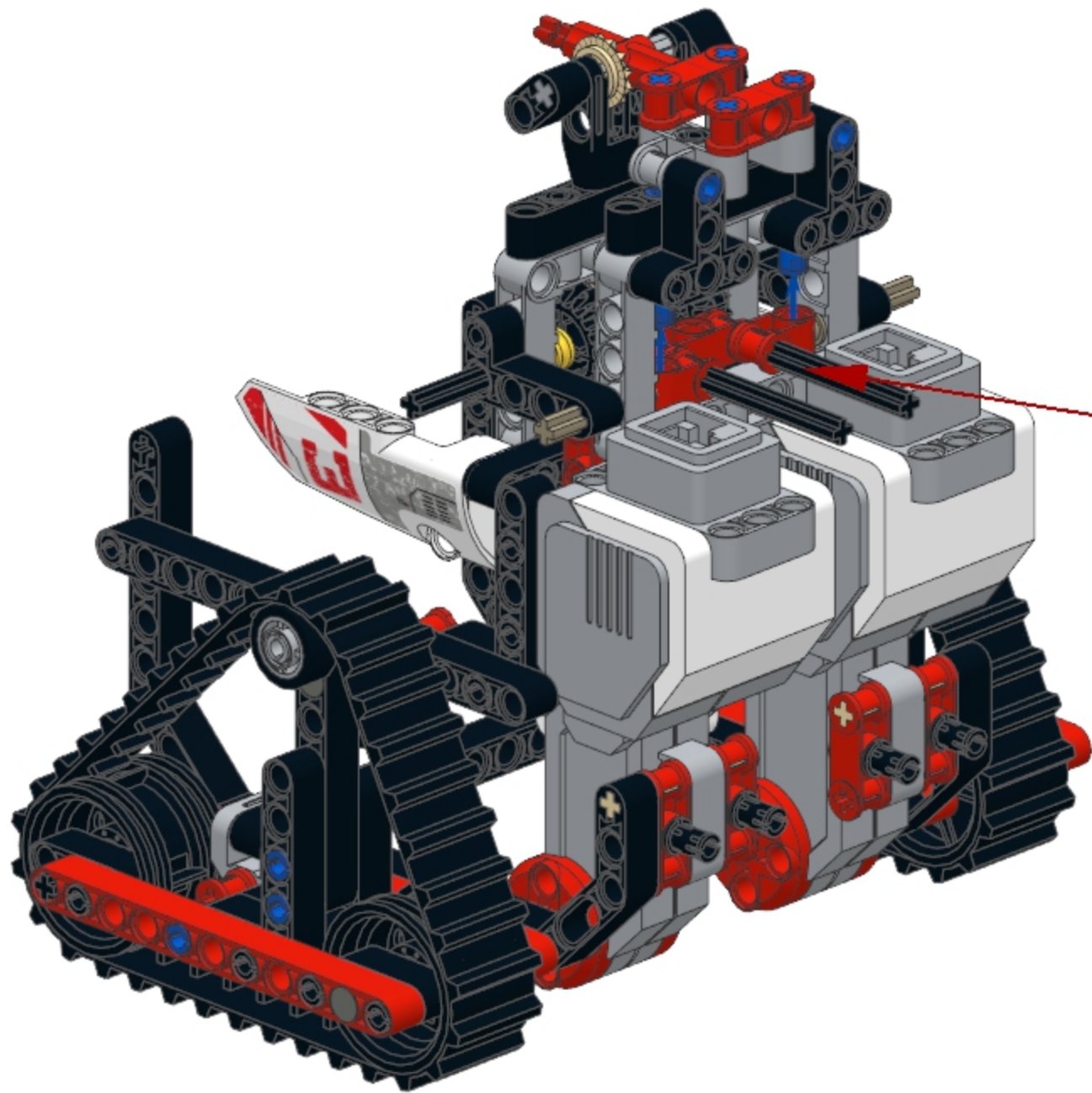
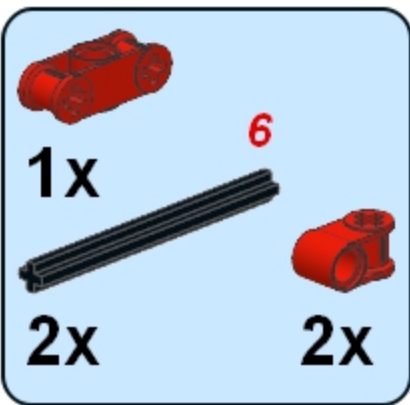
11



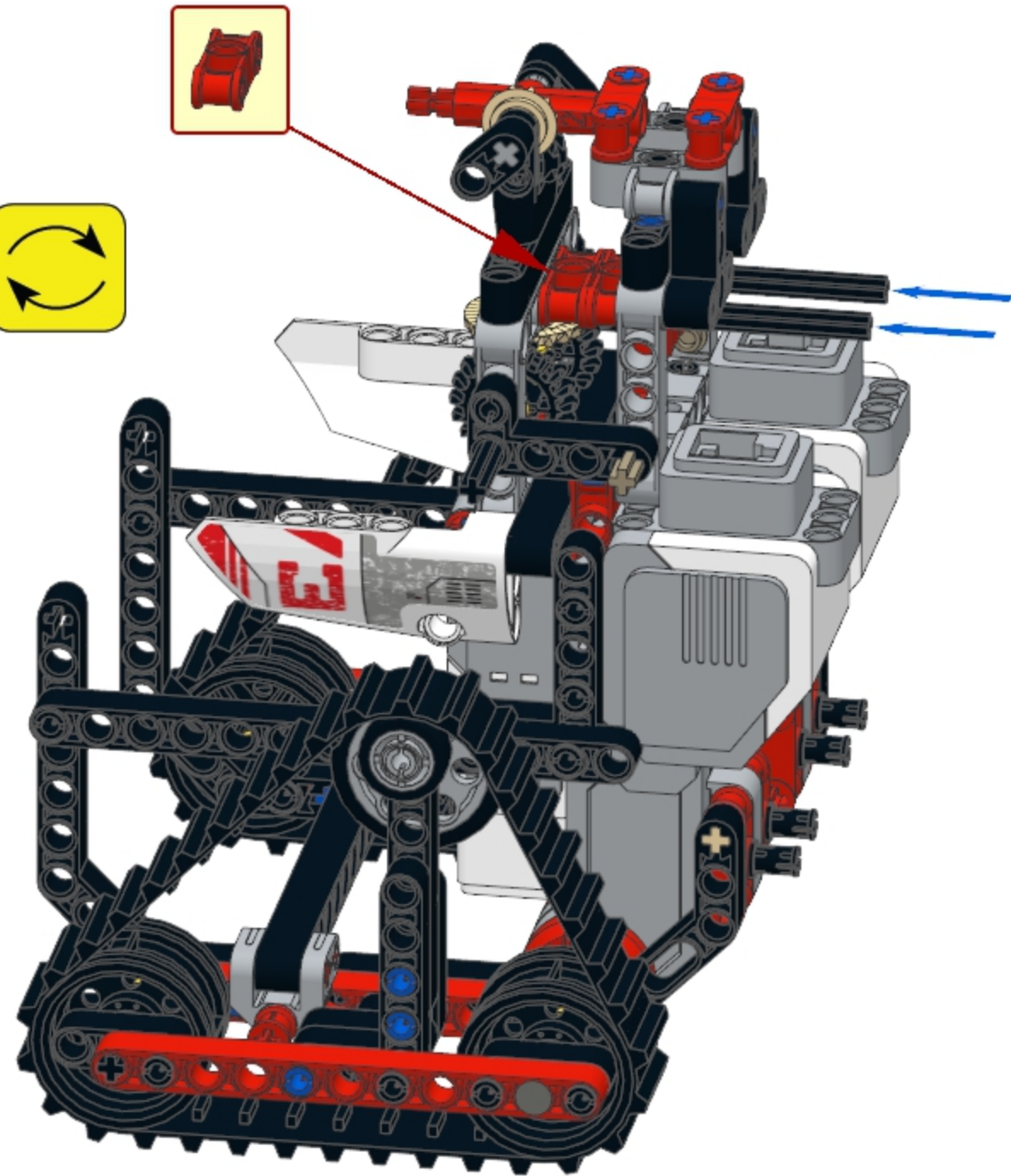
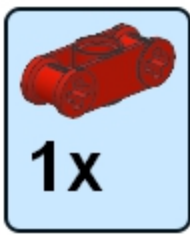
12



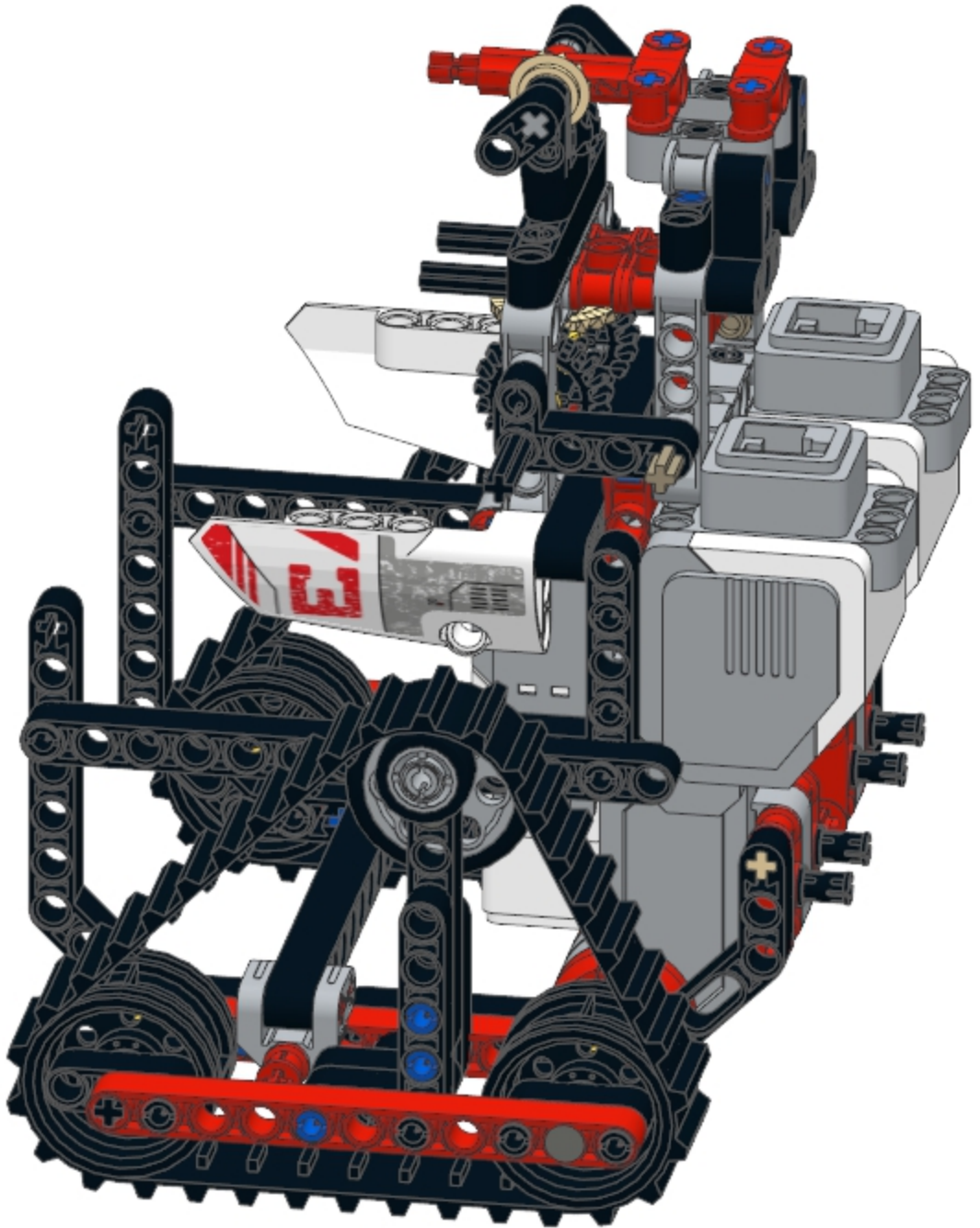
13



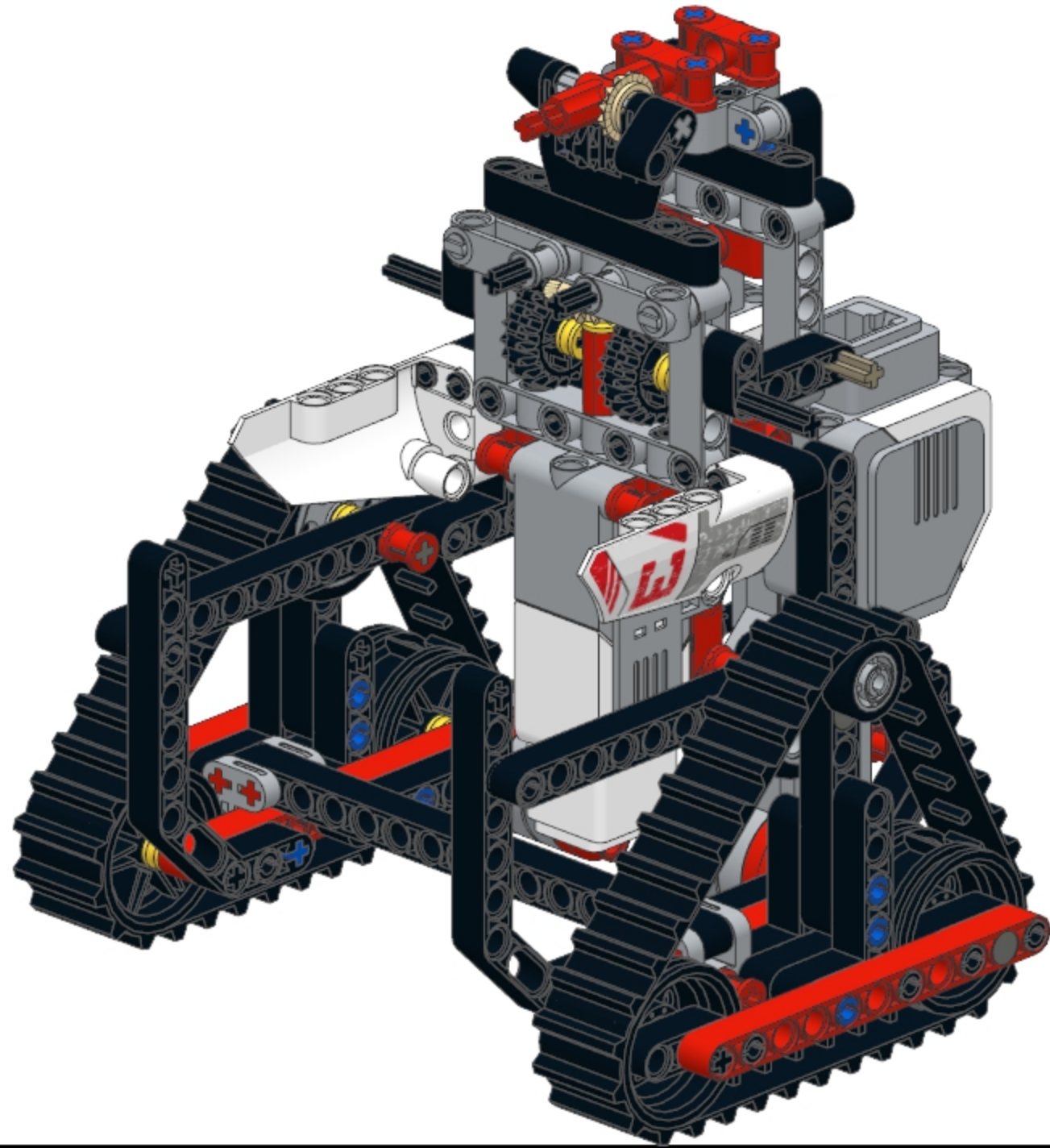
14



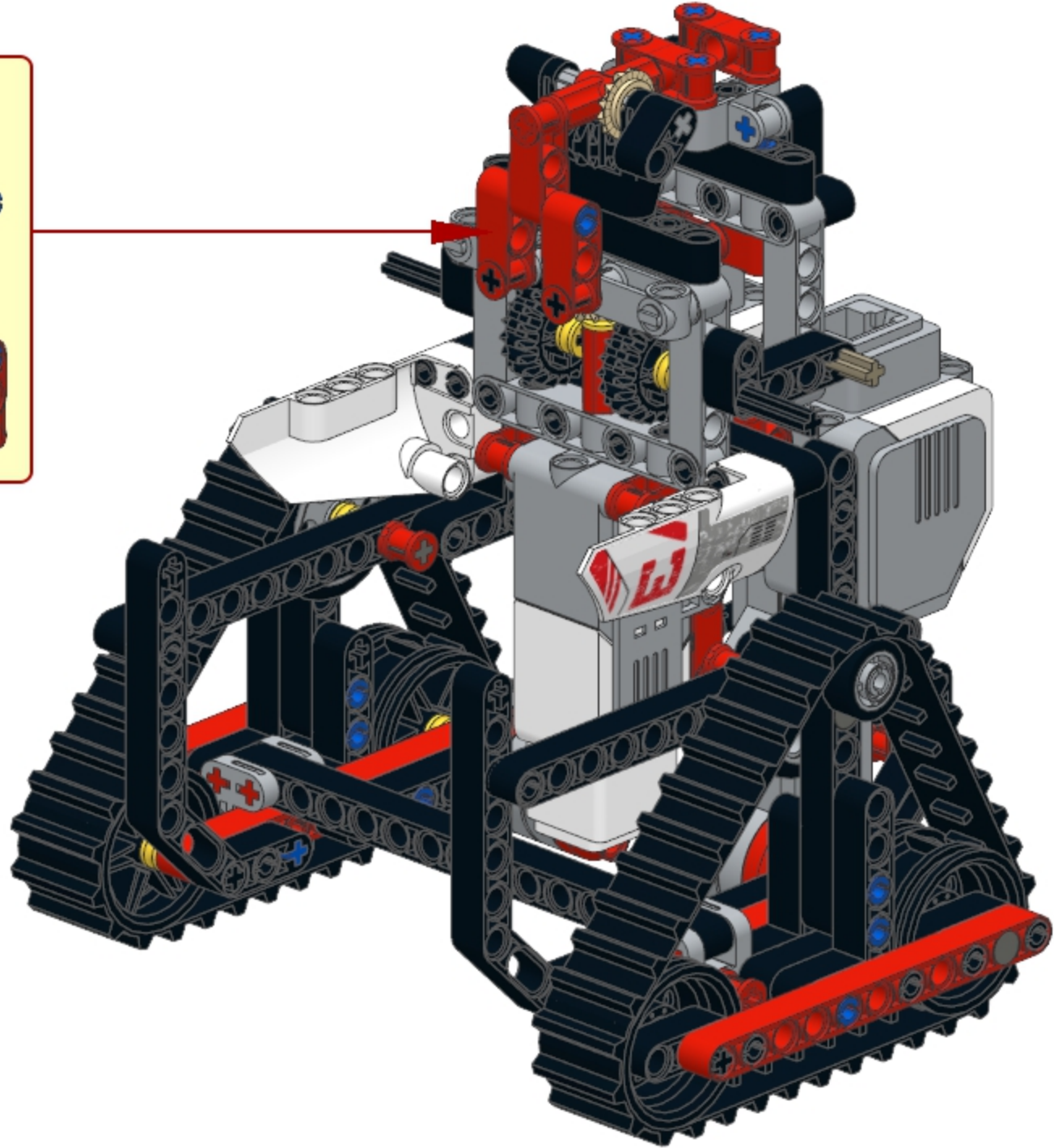
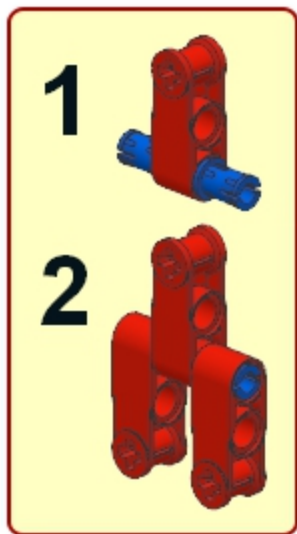
15

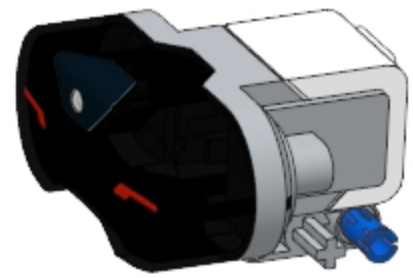
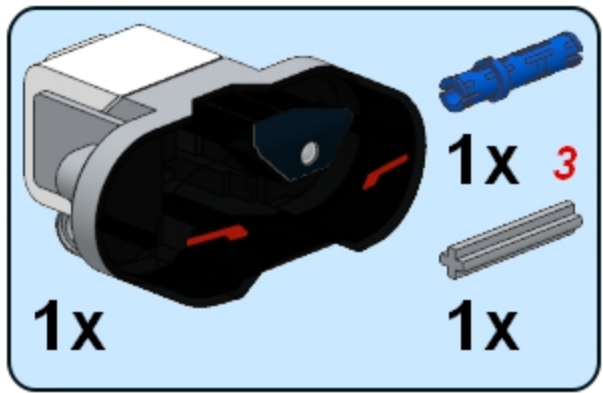


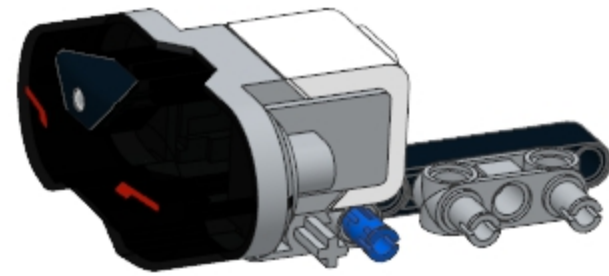
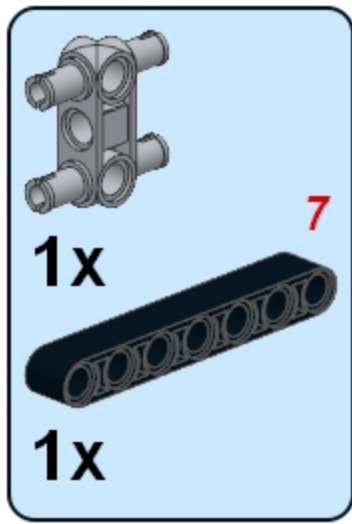
16

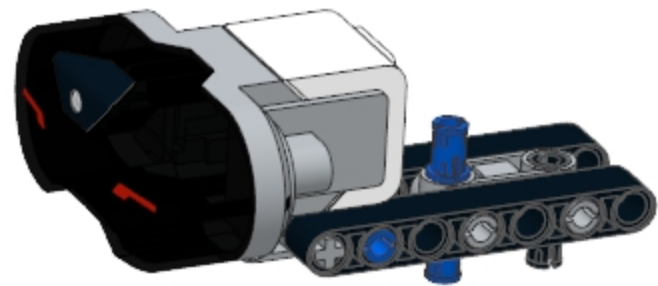
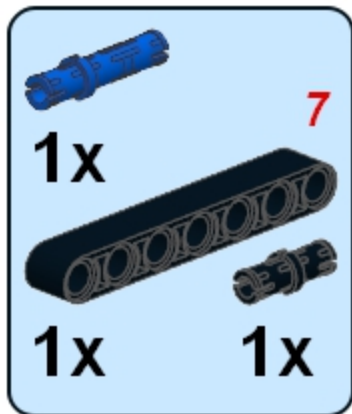


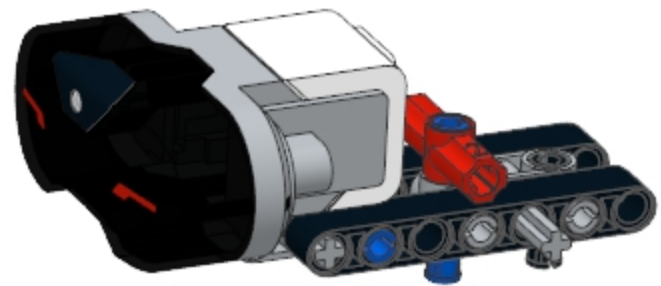
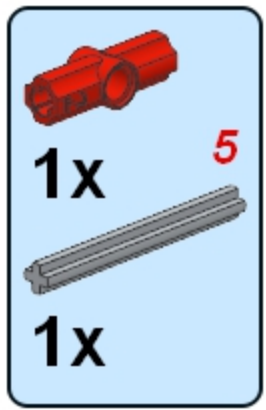
17

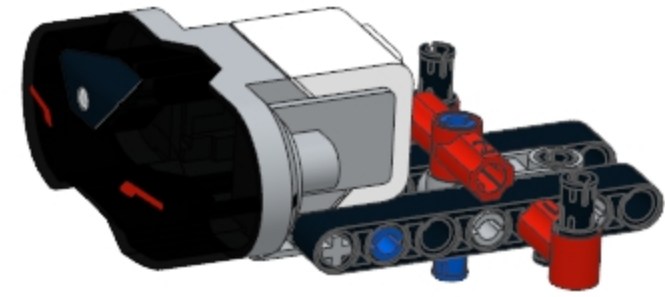


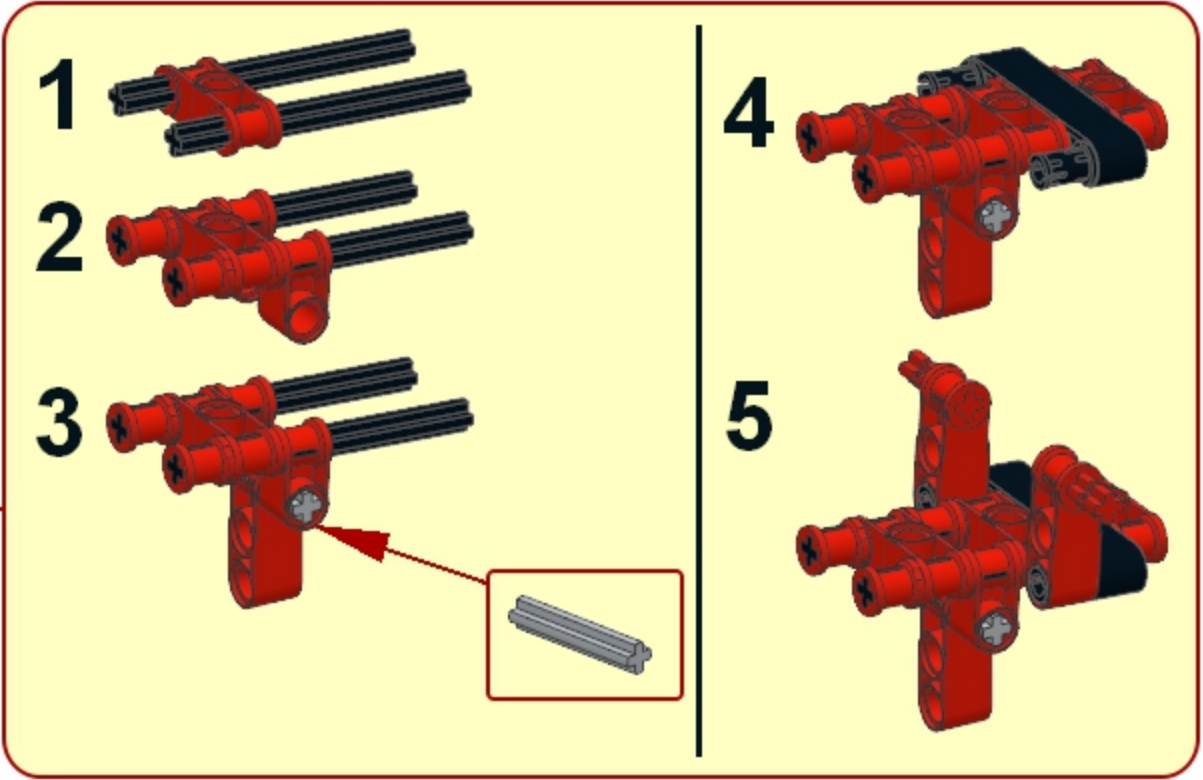
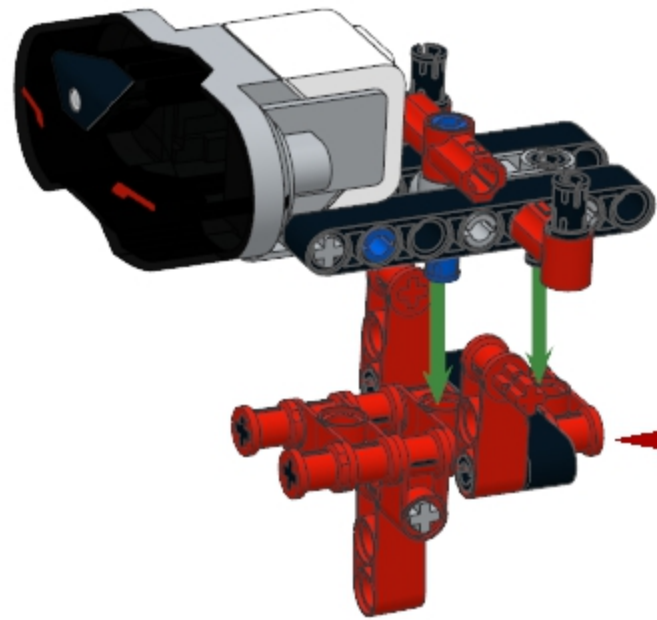
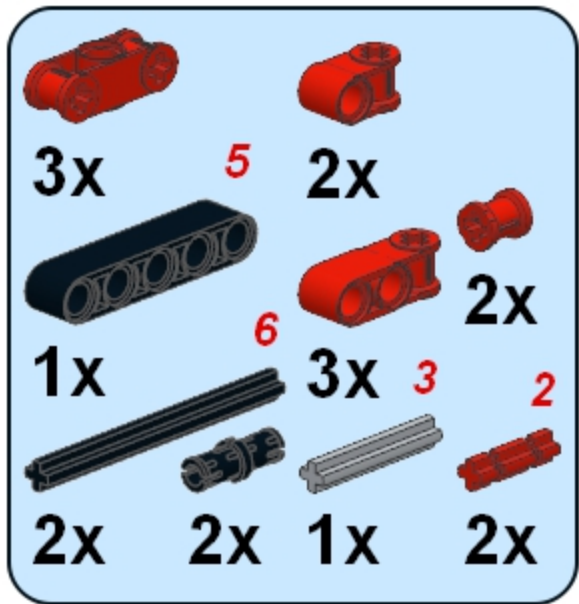


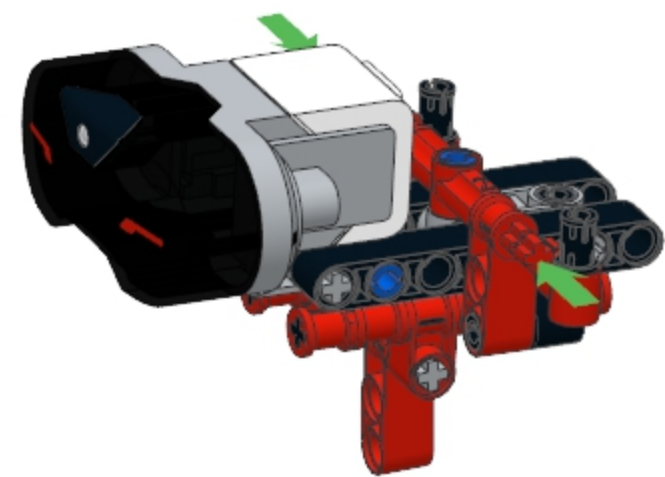












3x

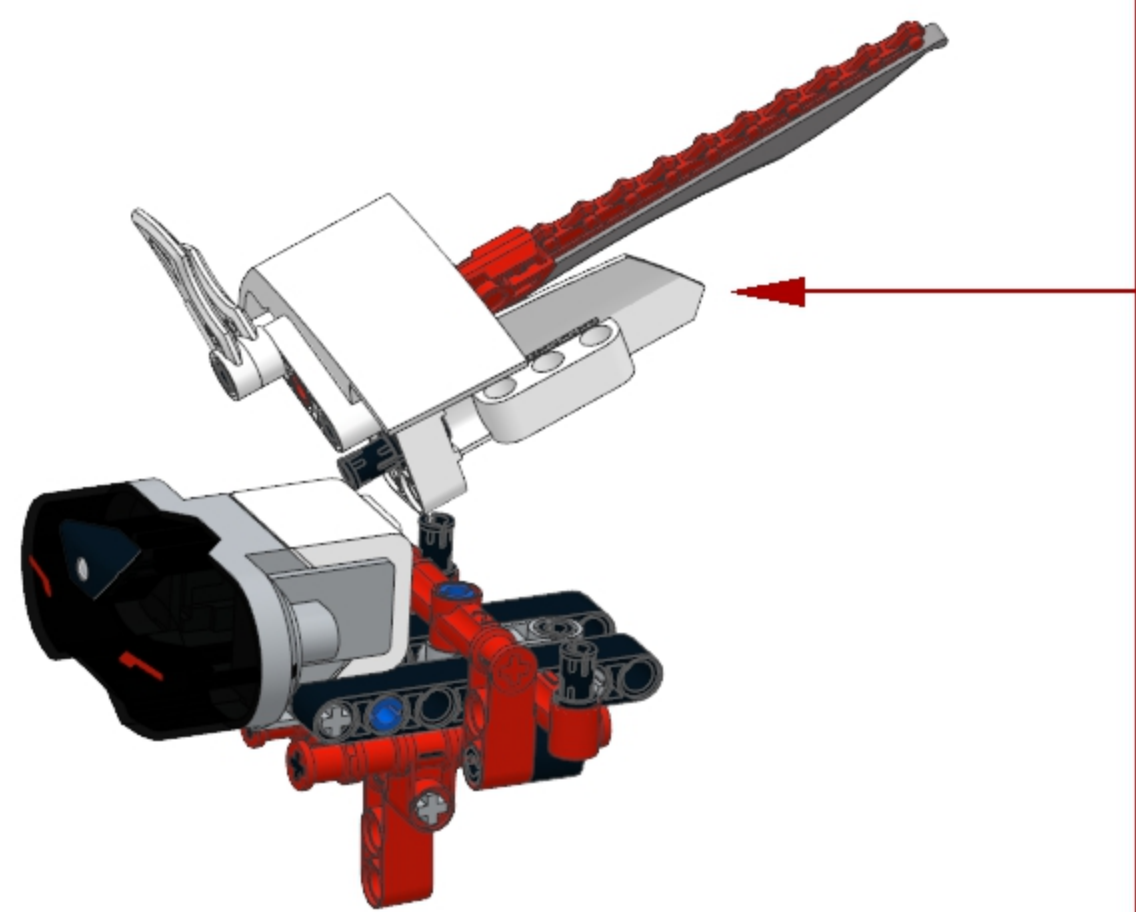
1x

1x

1x

1x

2x



1

2

3

4

3x

1x

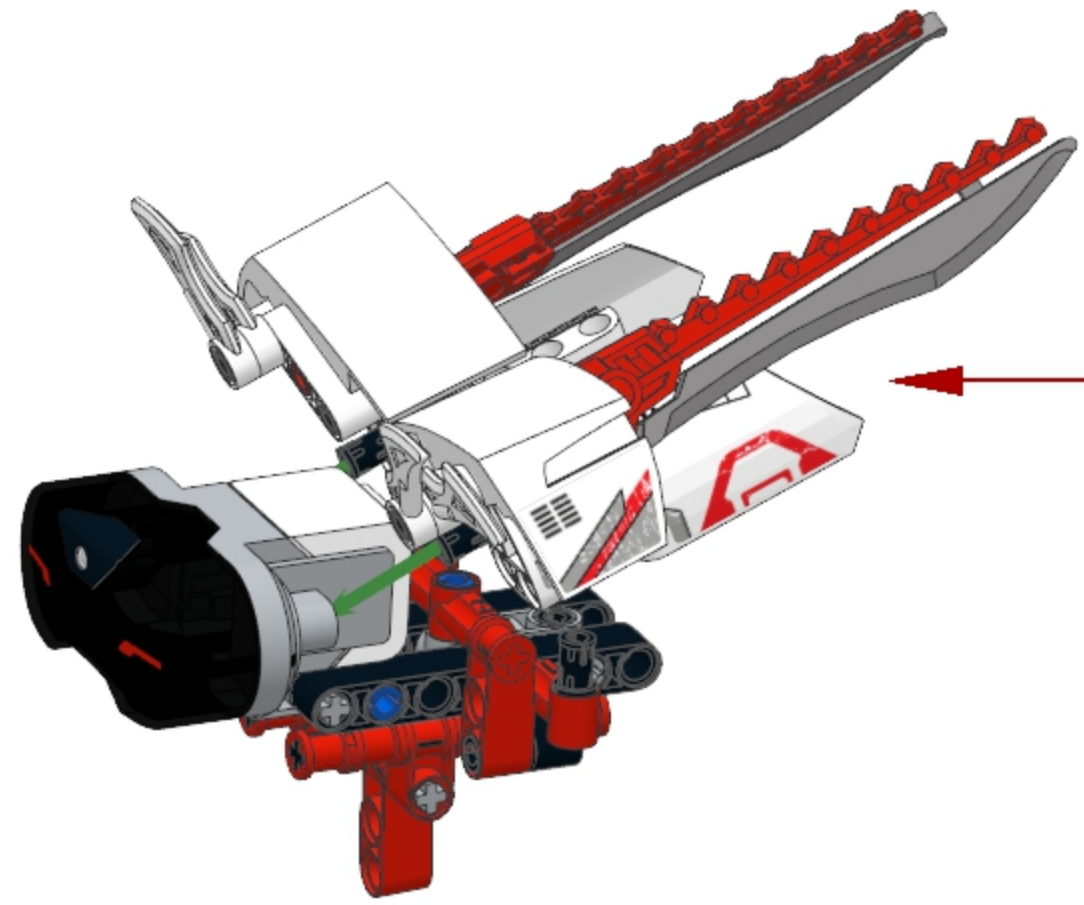
1x

1x

1x

1x

2x

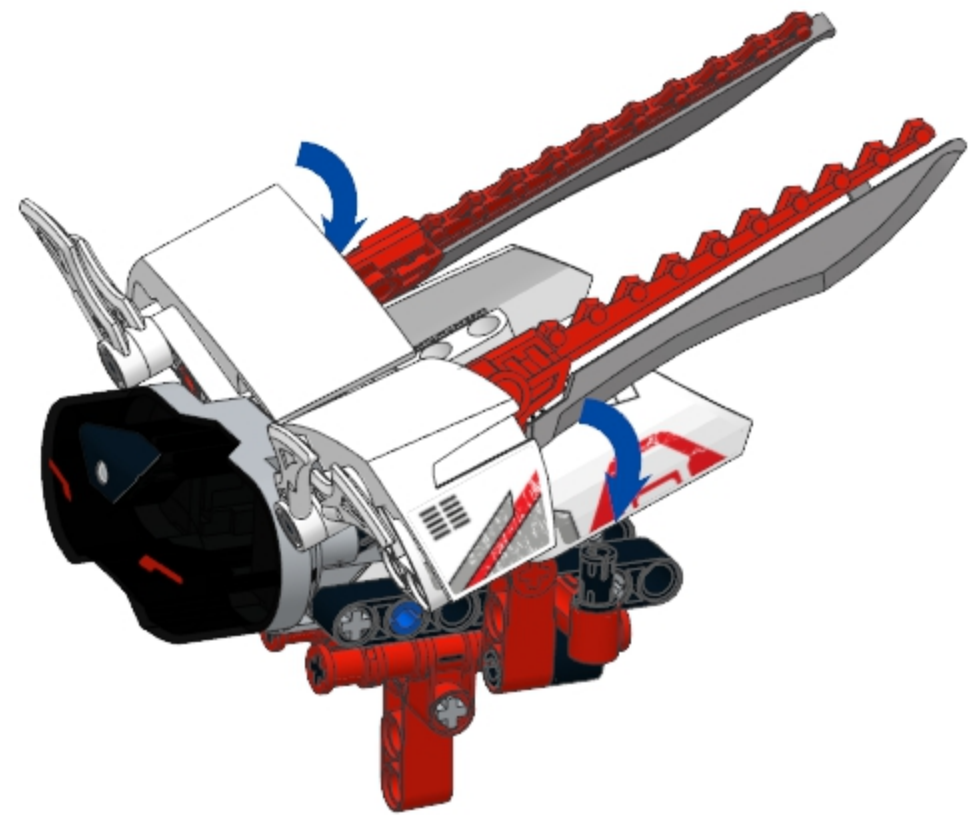


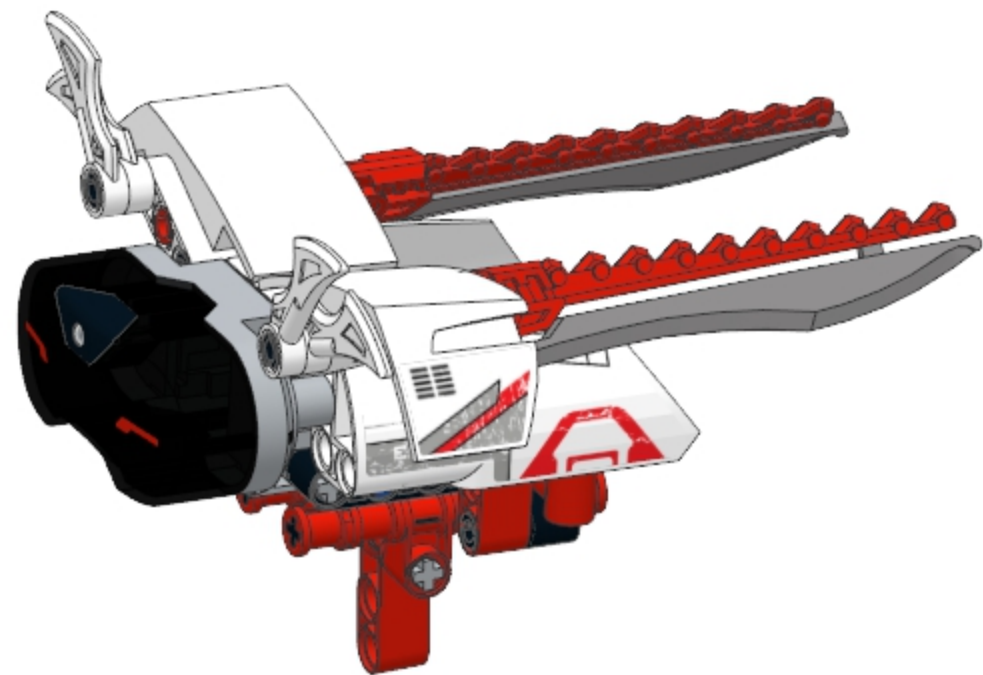
1


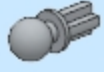
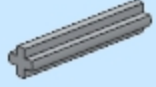


2



3

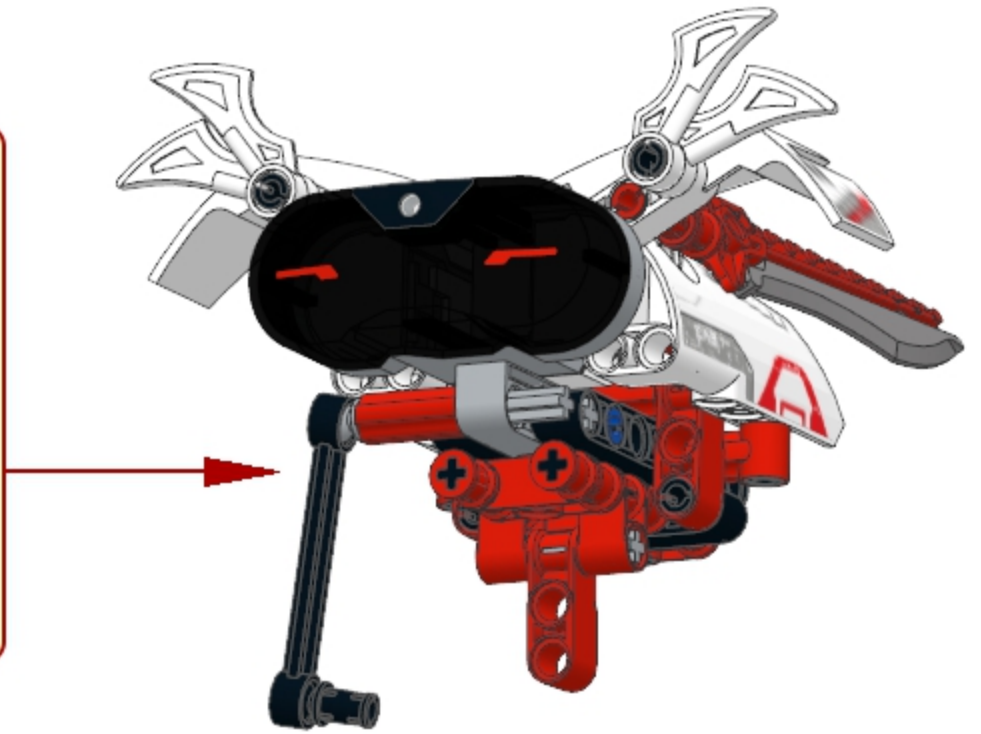
4

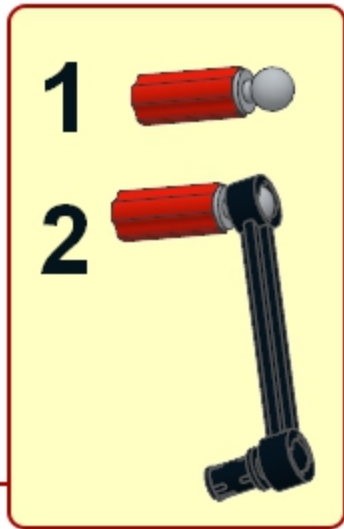
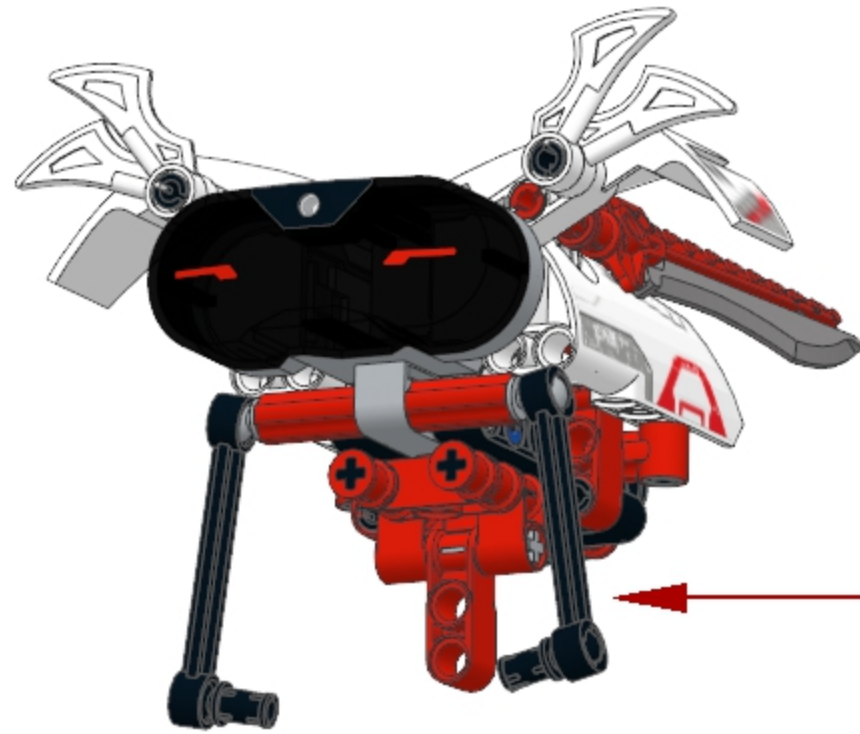
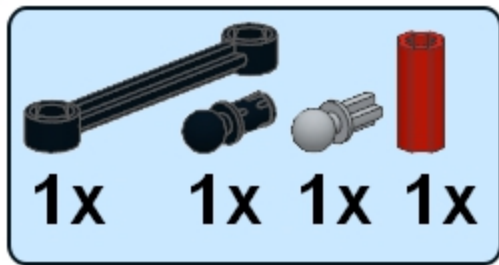






- 1x 
- 1x 
- 1x ³ 
- 1x 
- 1x 

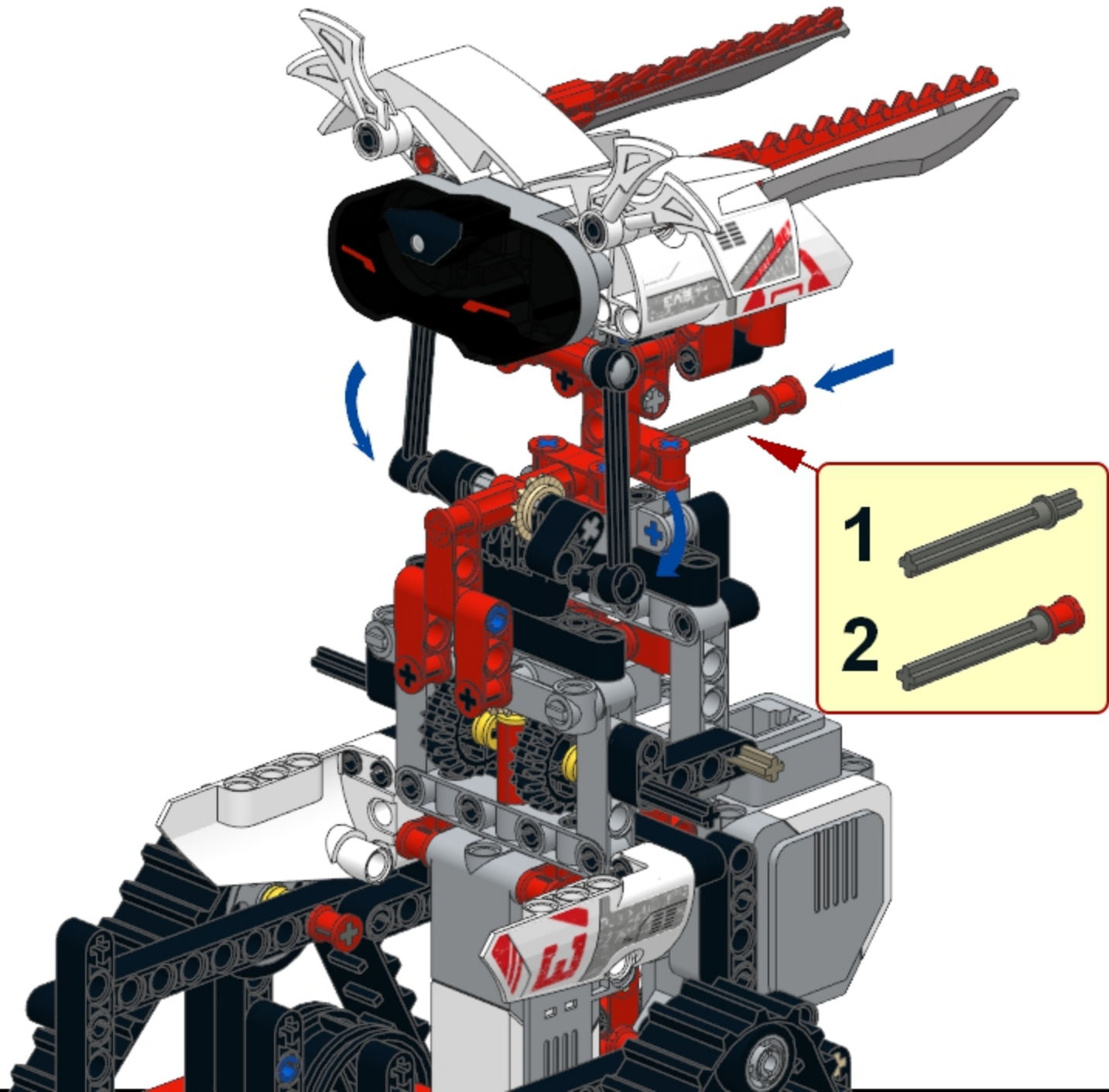
- 1 
- 2 



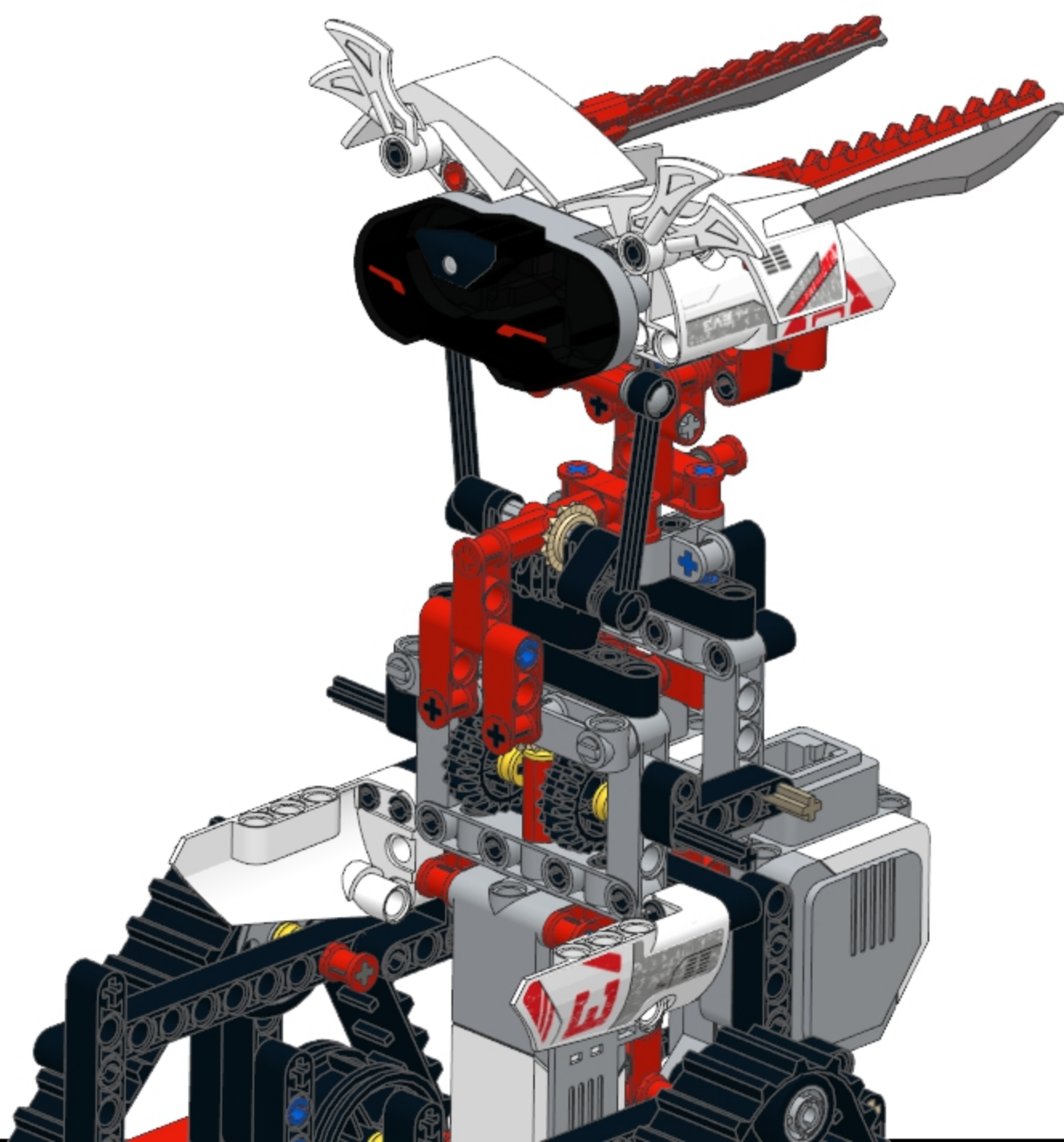


18

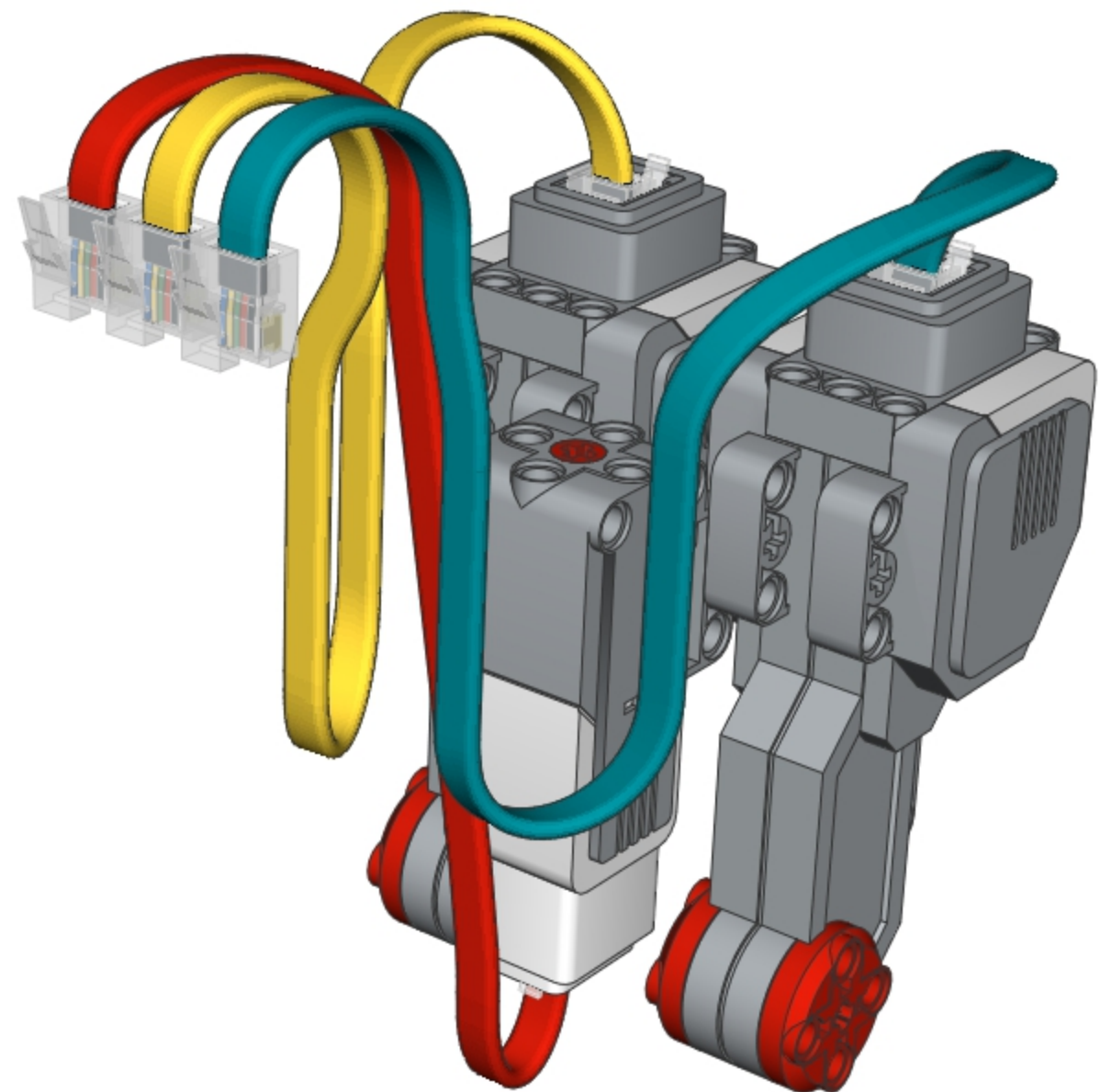
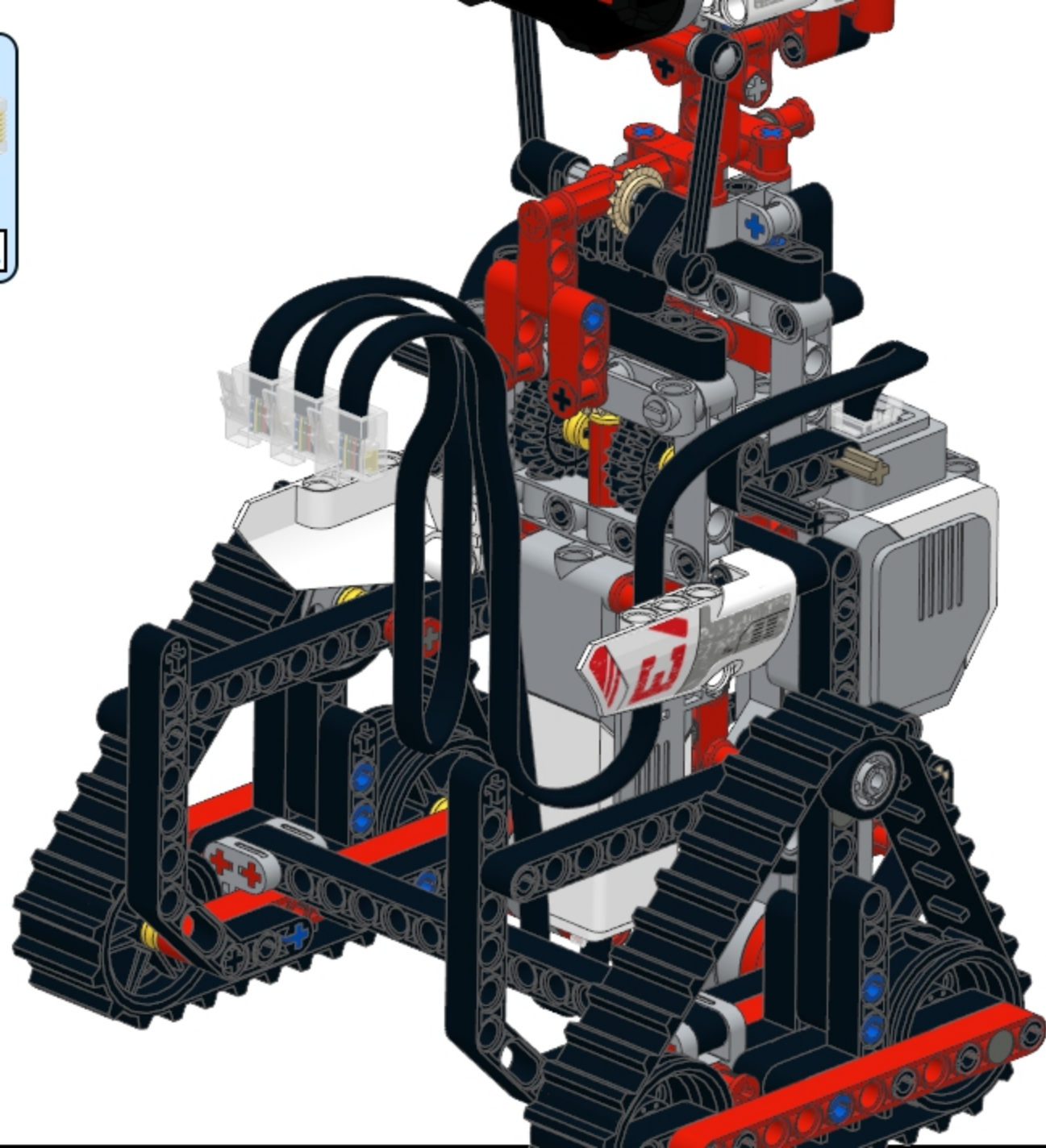
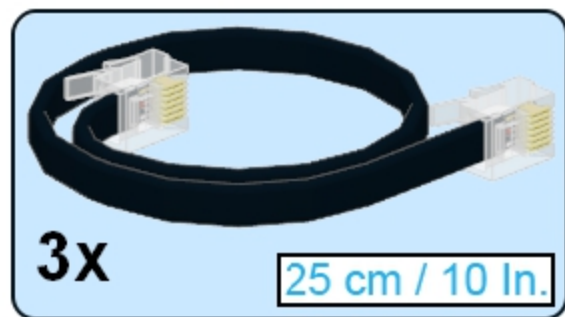
1x  5
1x 



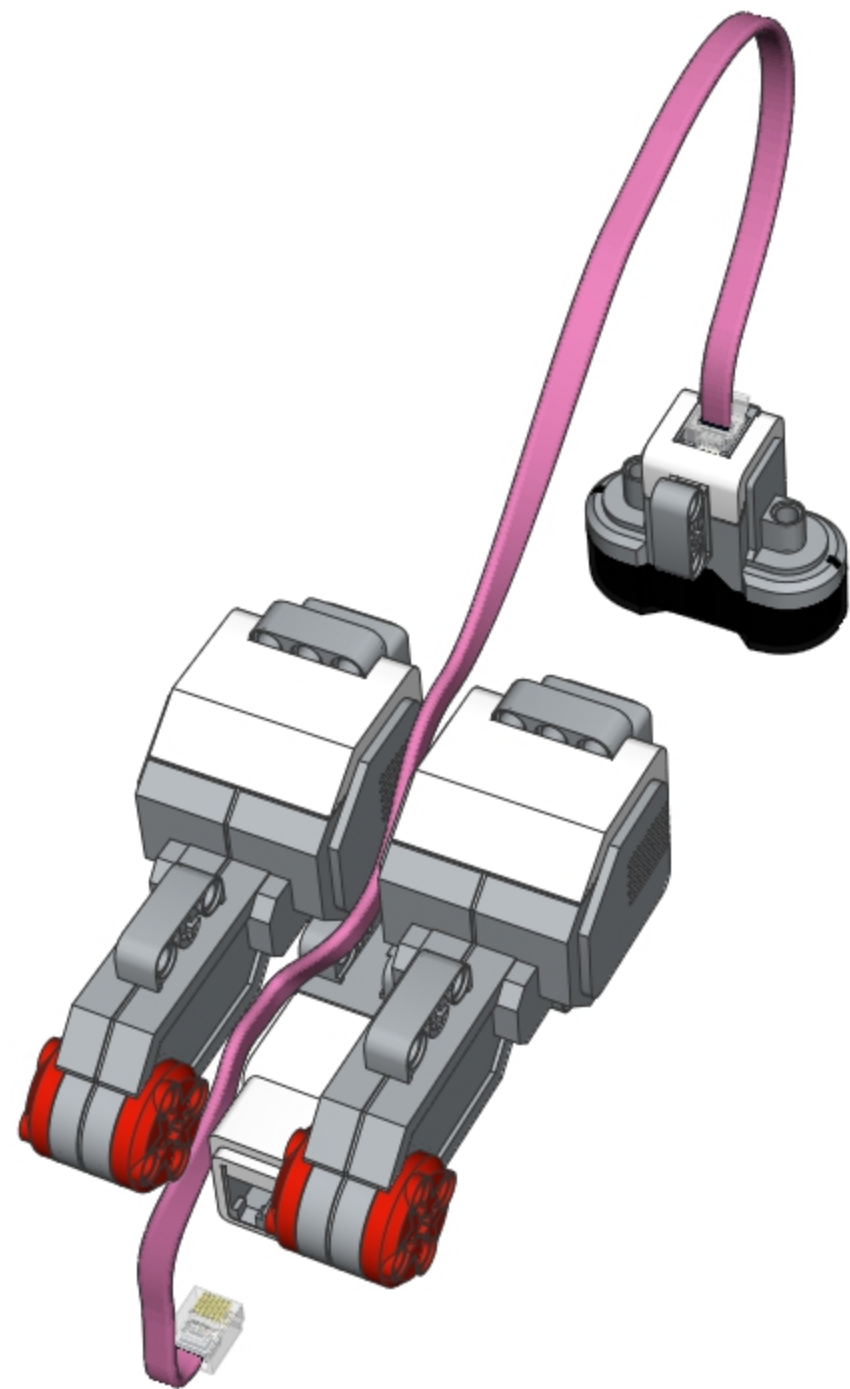
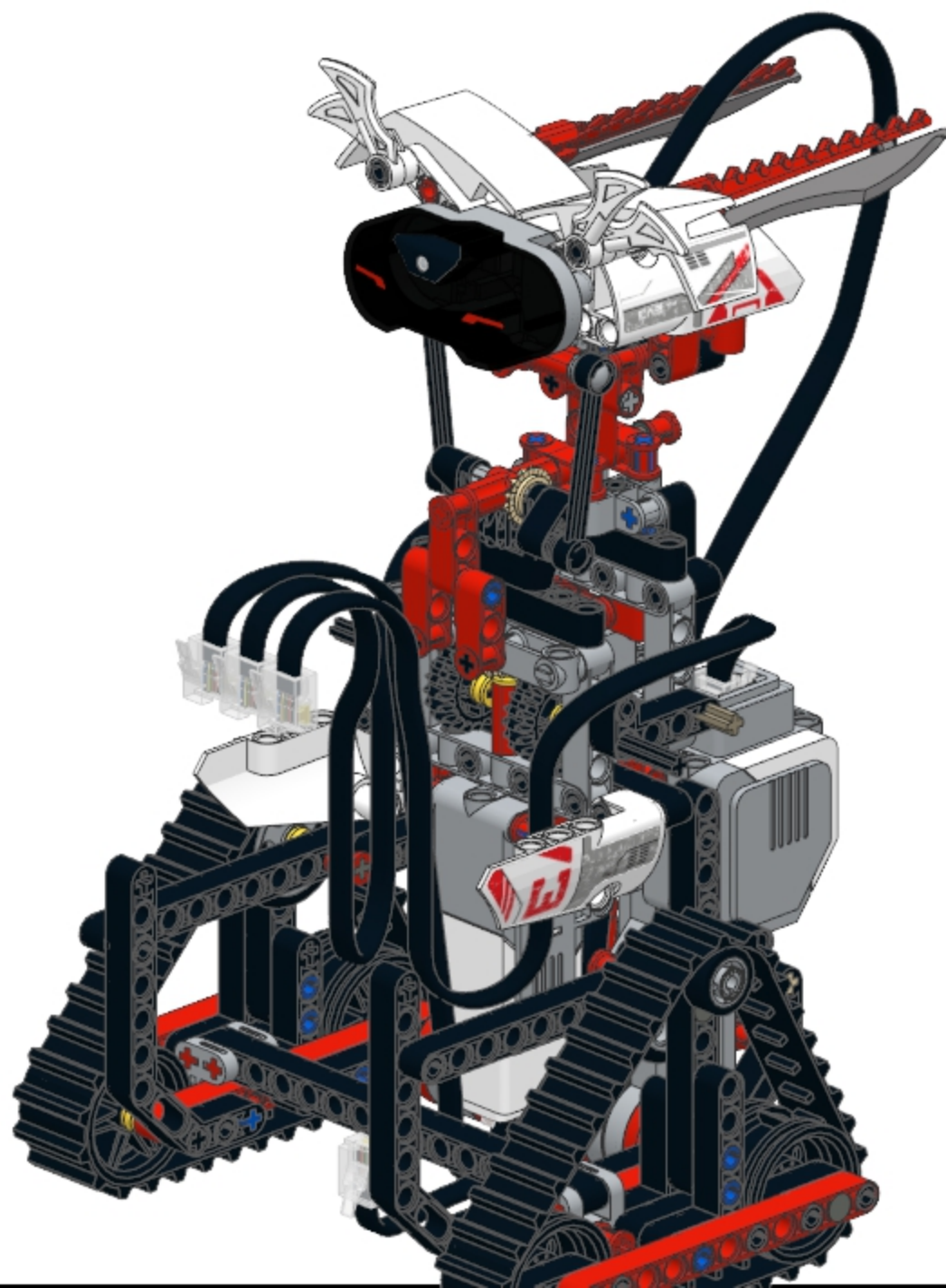
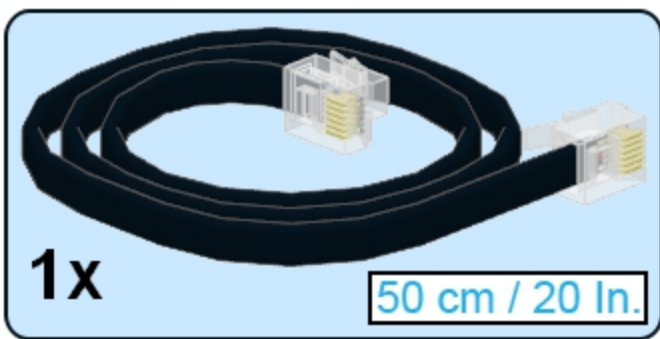
19



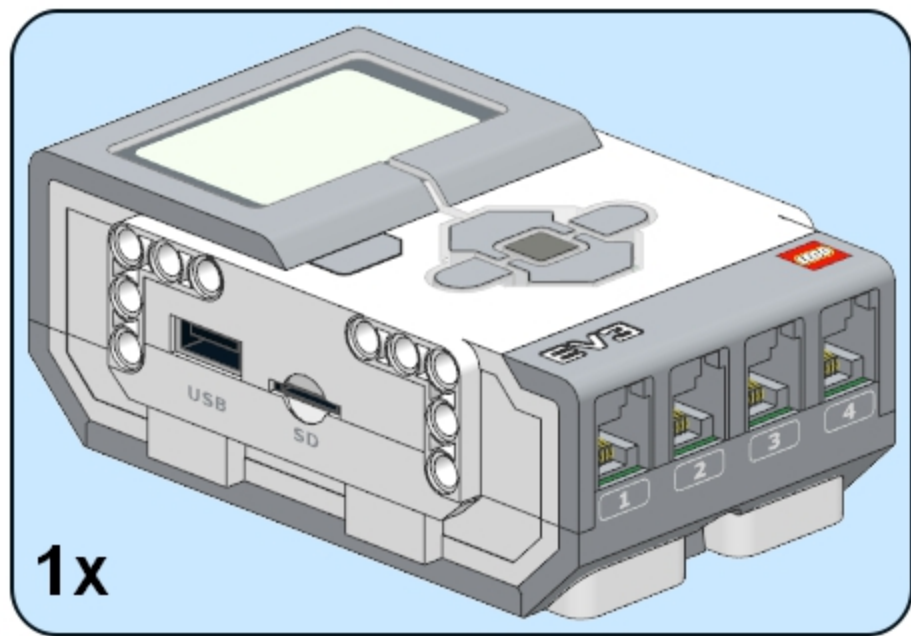
20



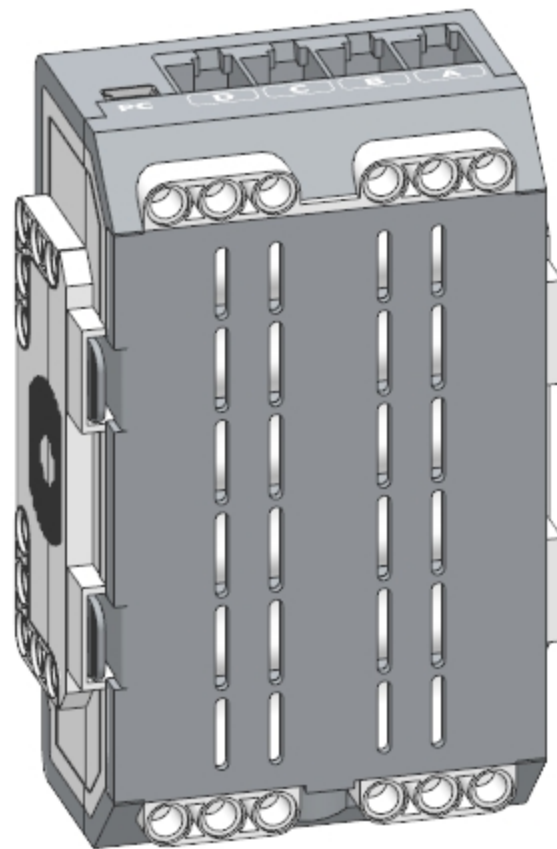
21



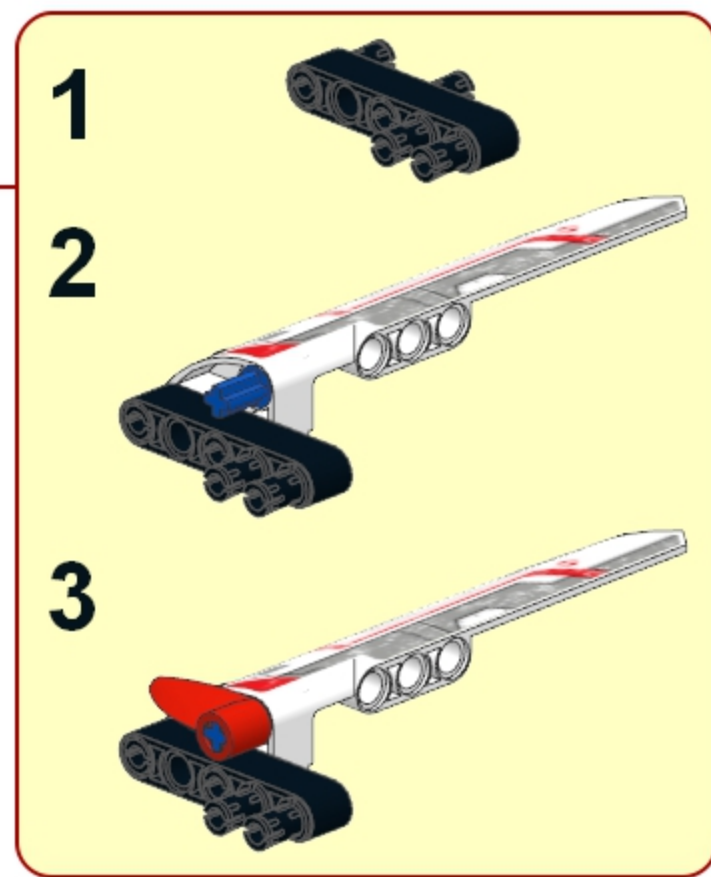
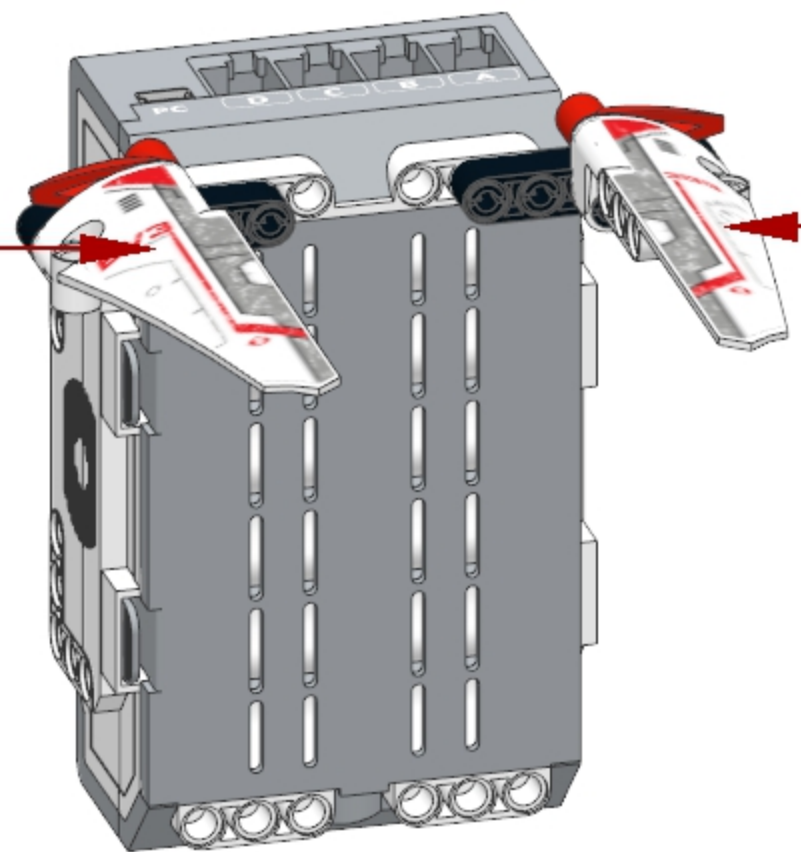
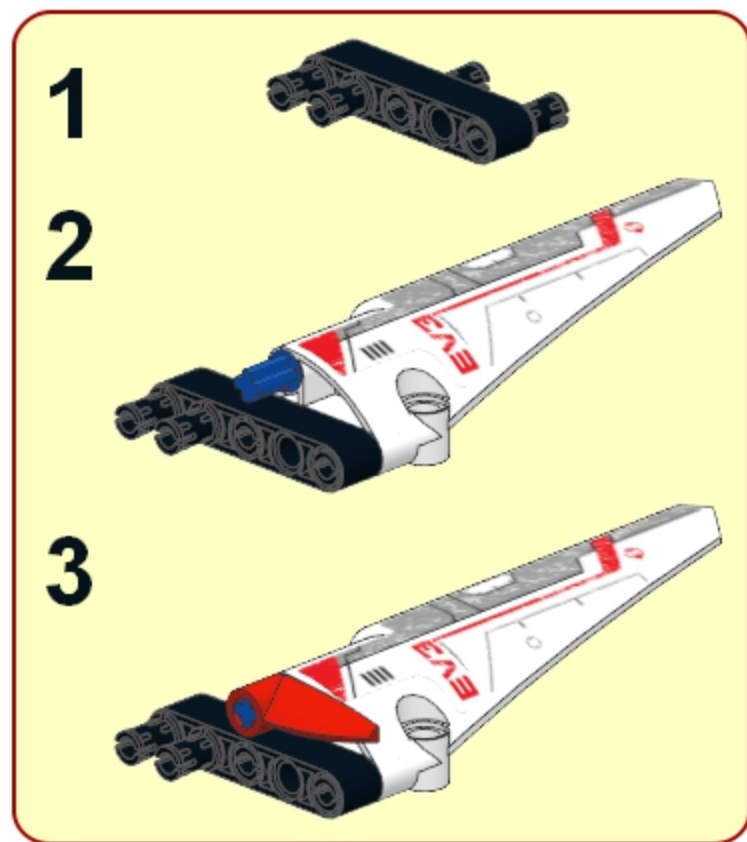
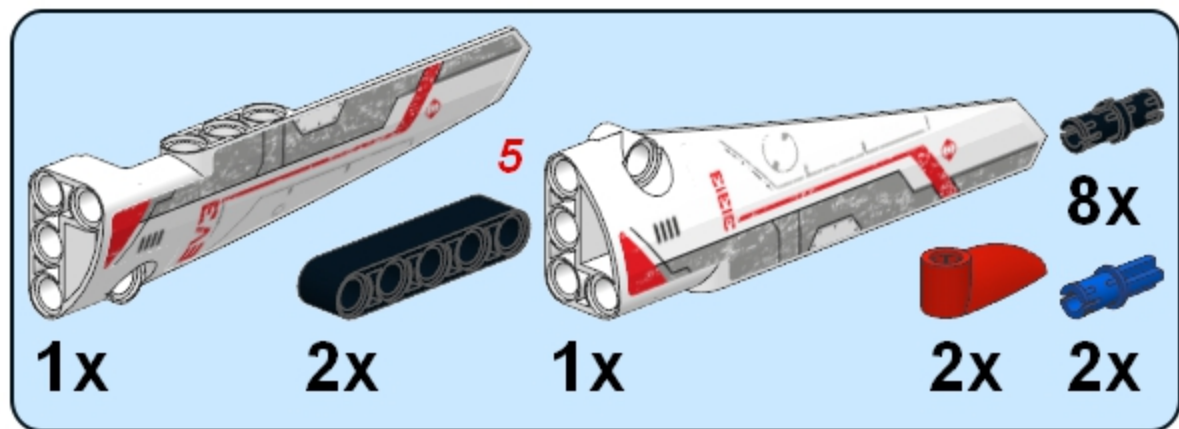
1



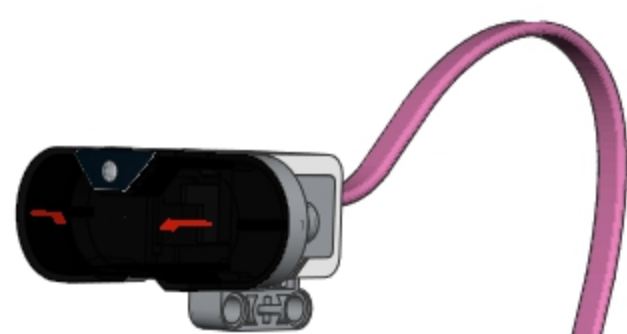
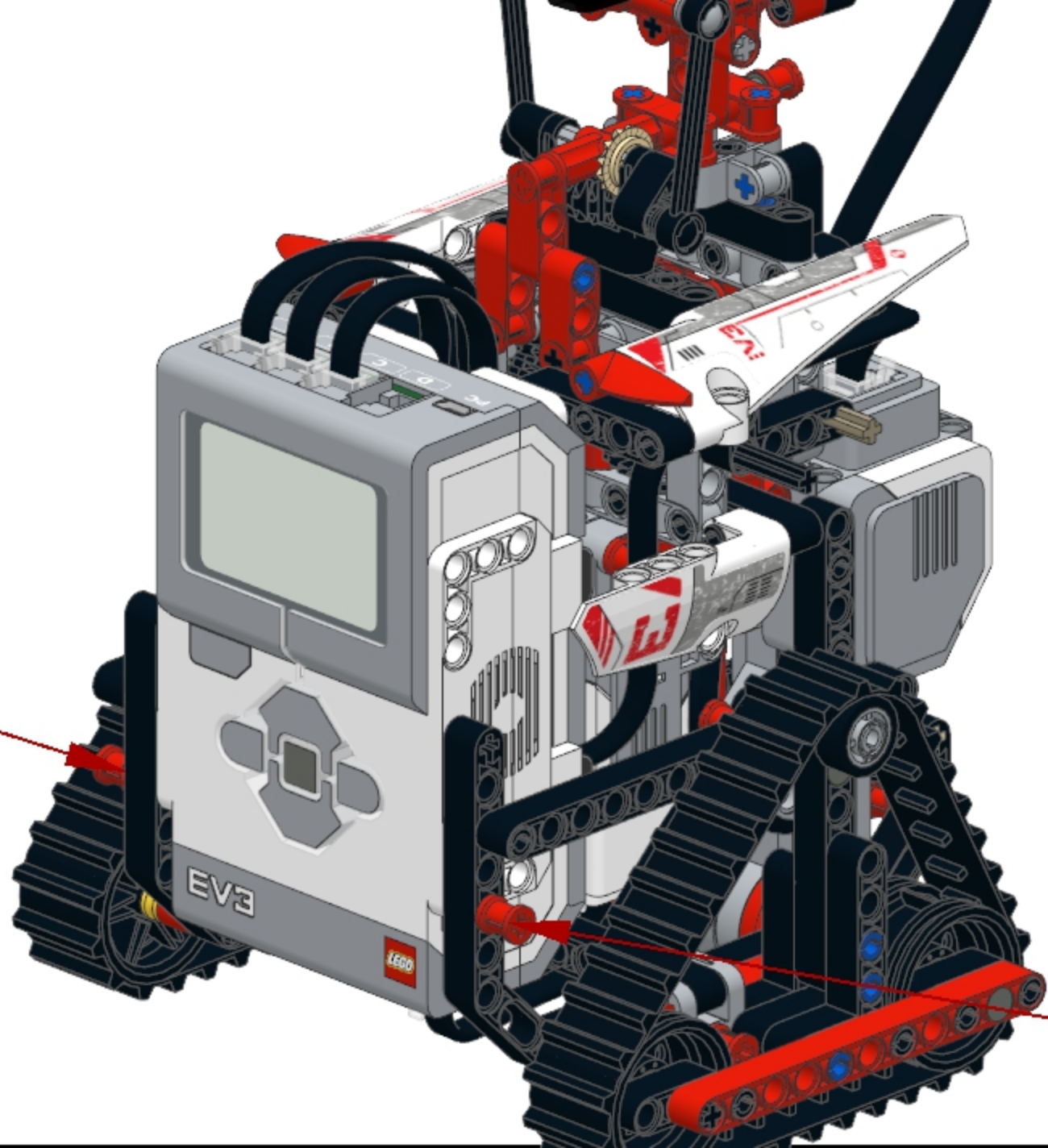
1x



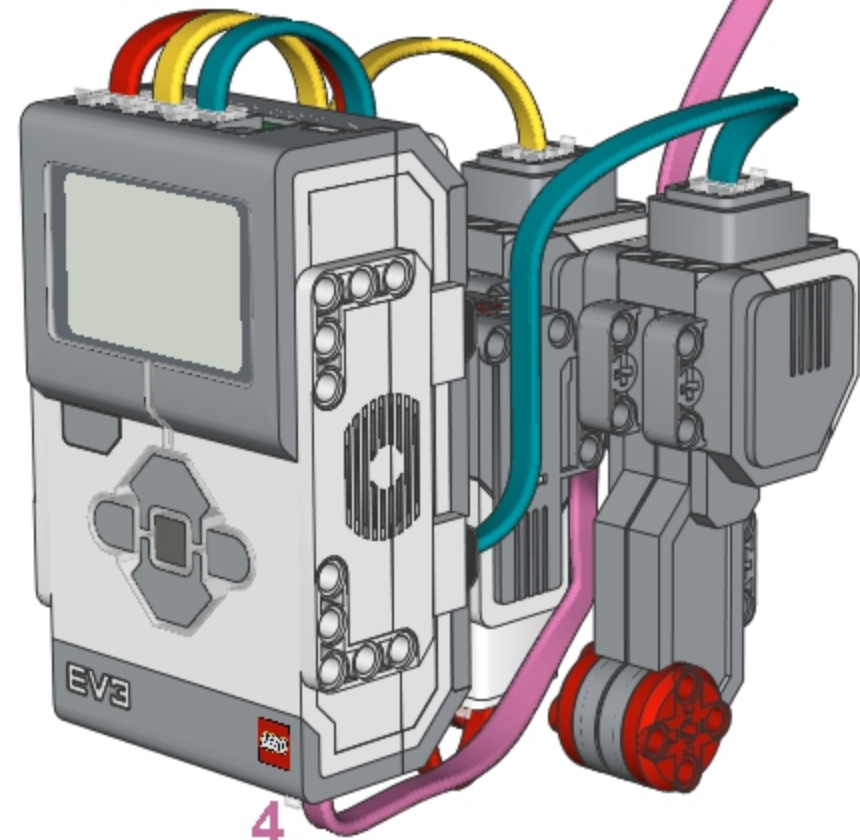
2



22

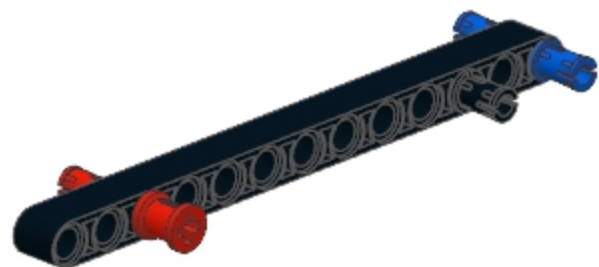
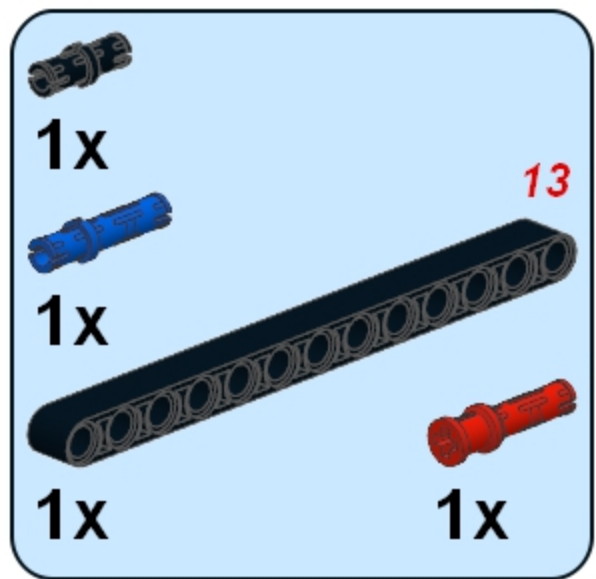


A B C

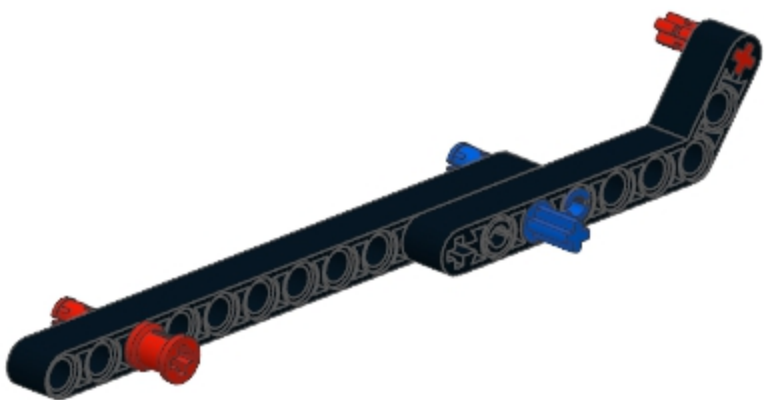
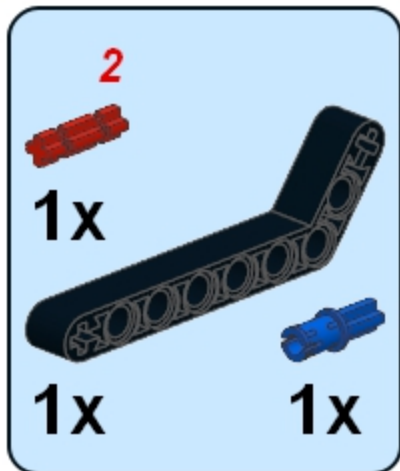


4

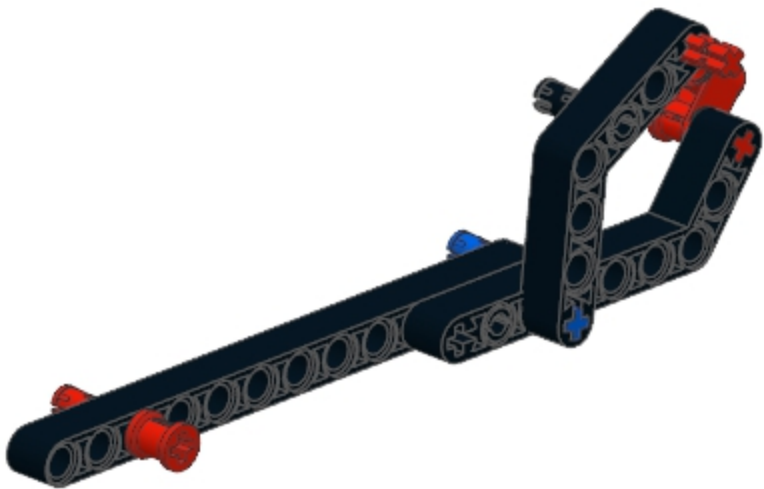
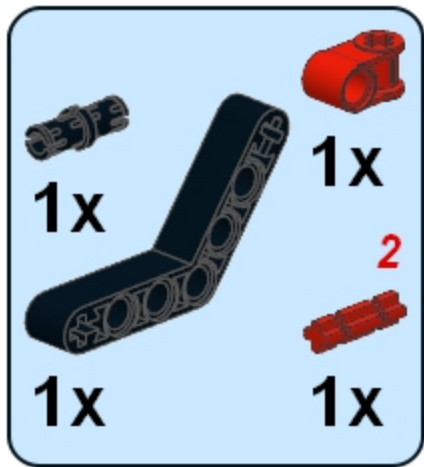
1







2

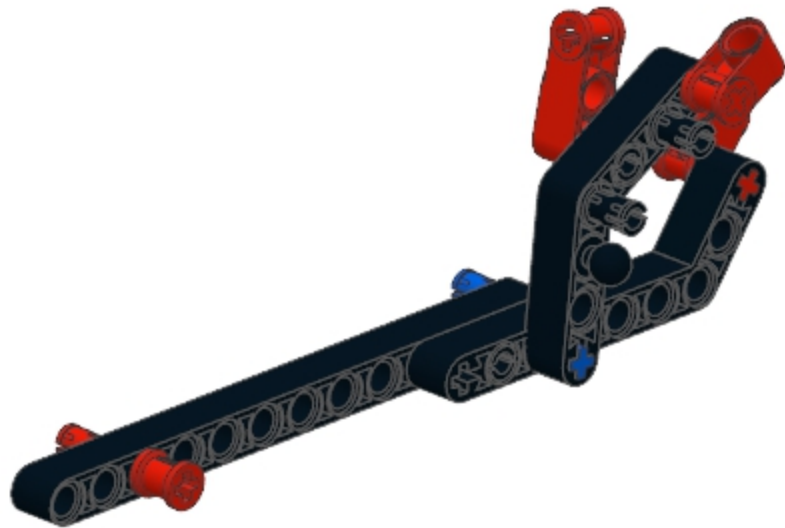


3

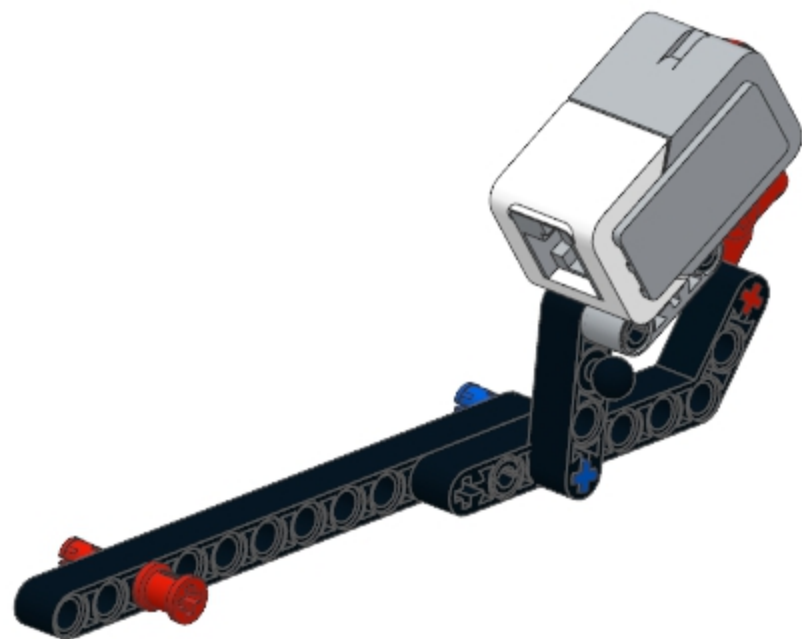
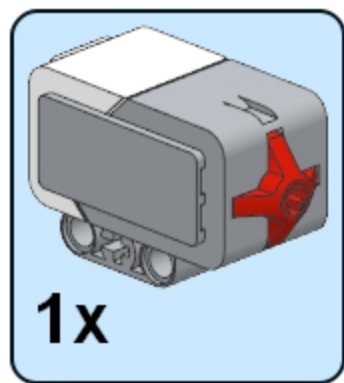


4

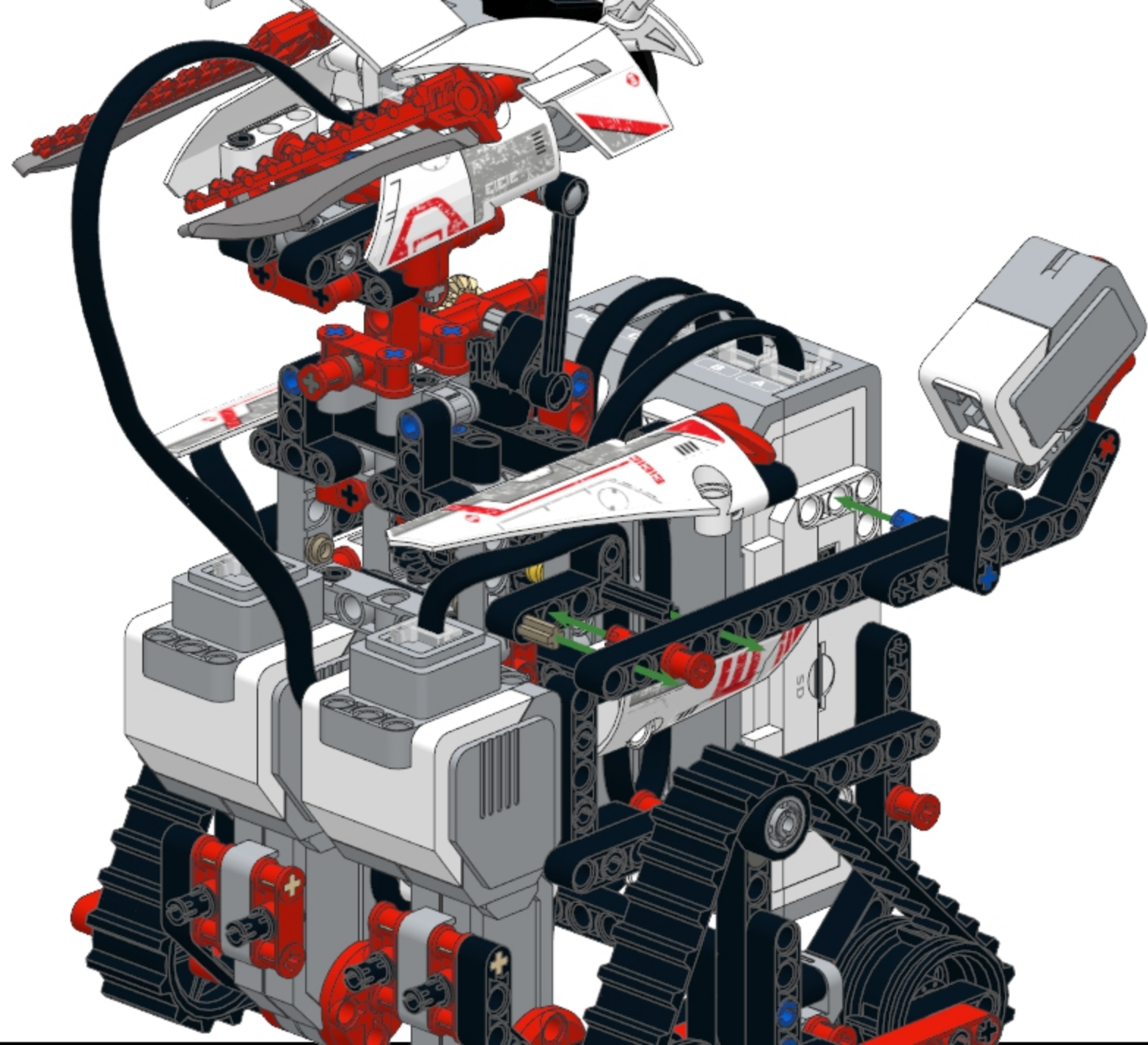
 1x	 1x
 1x	 2x



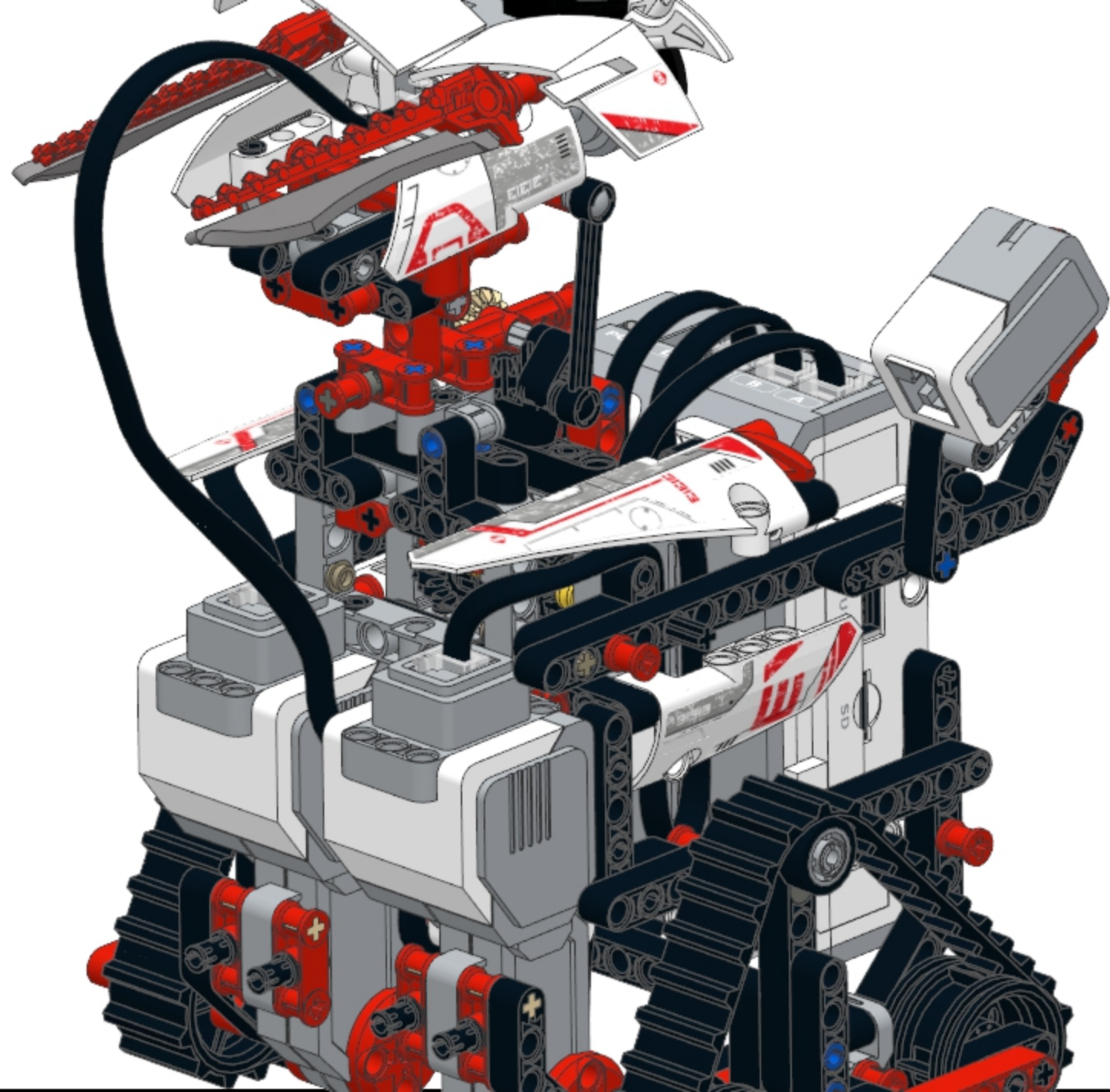
5



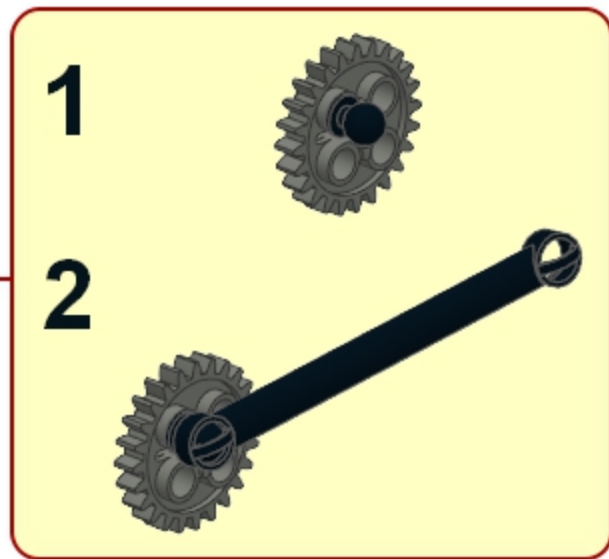
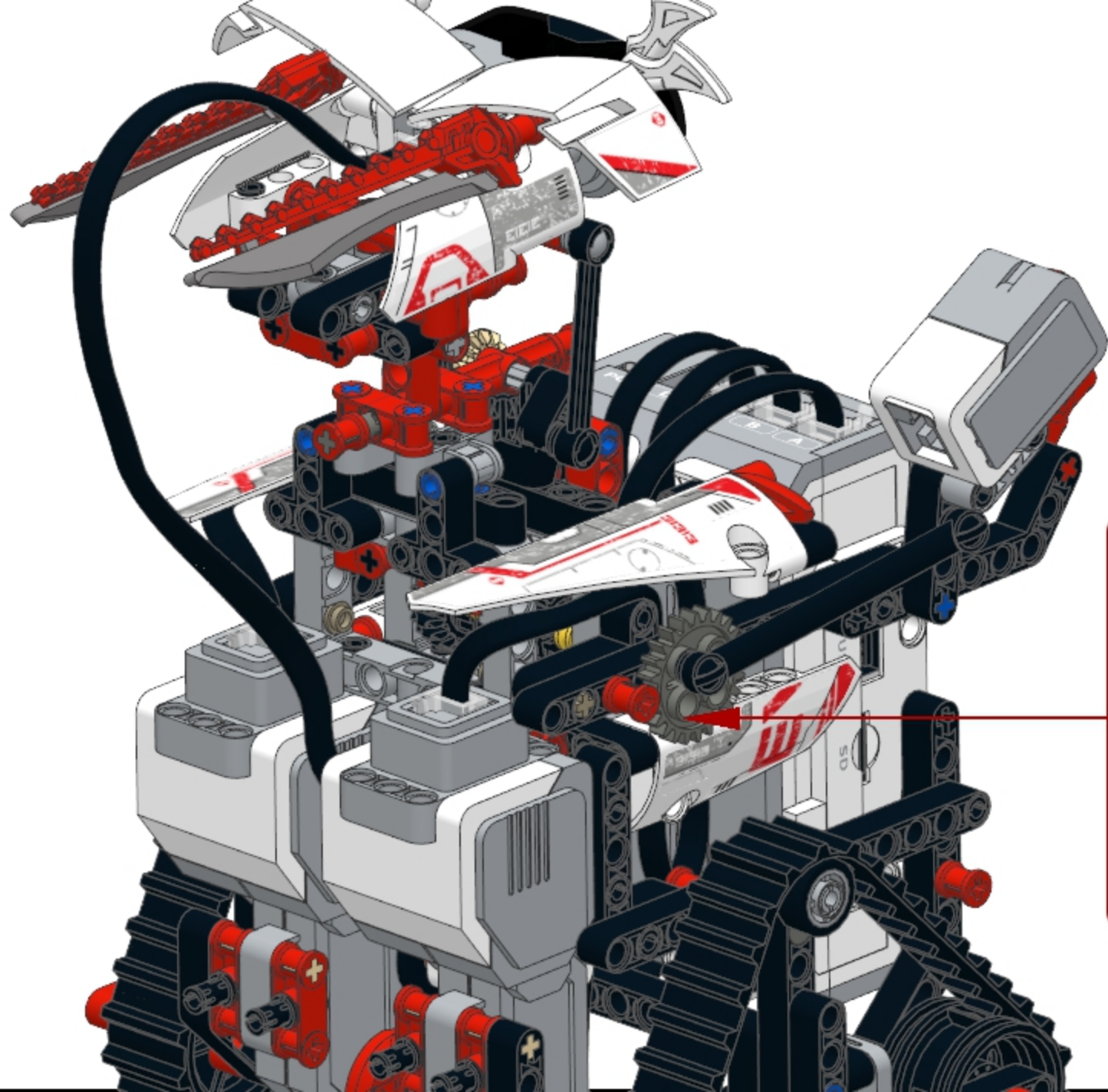
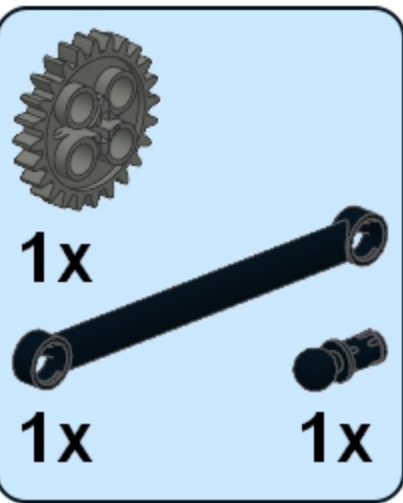
23



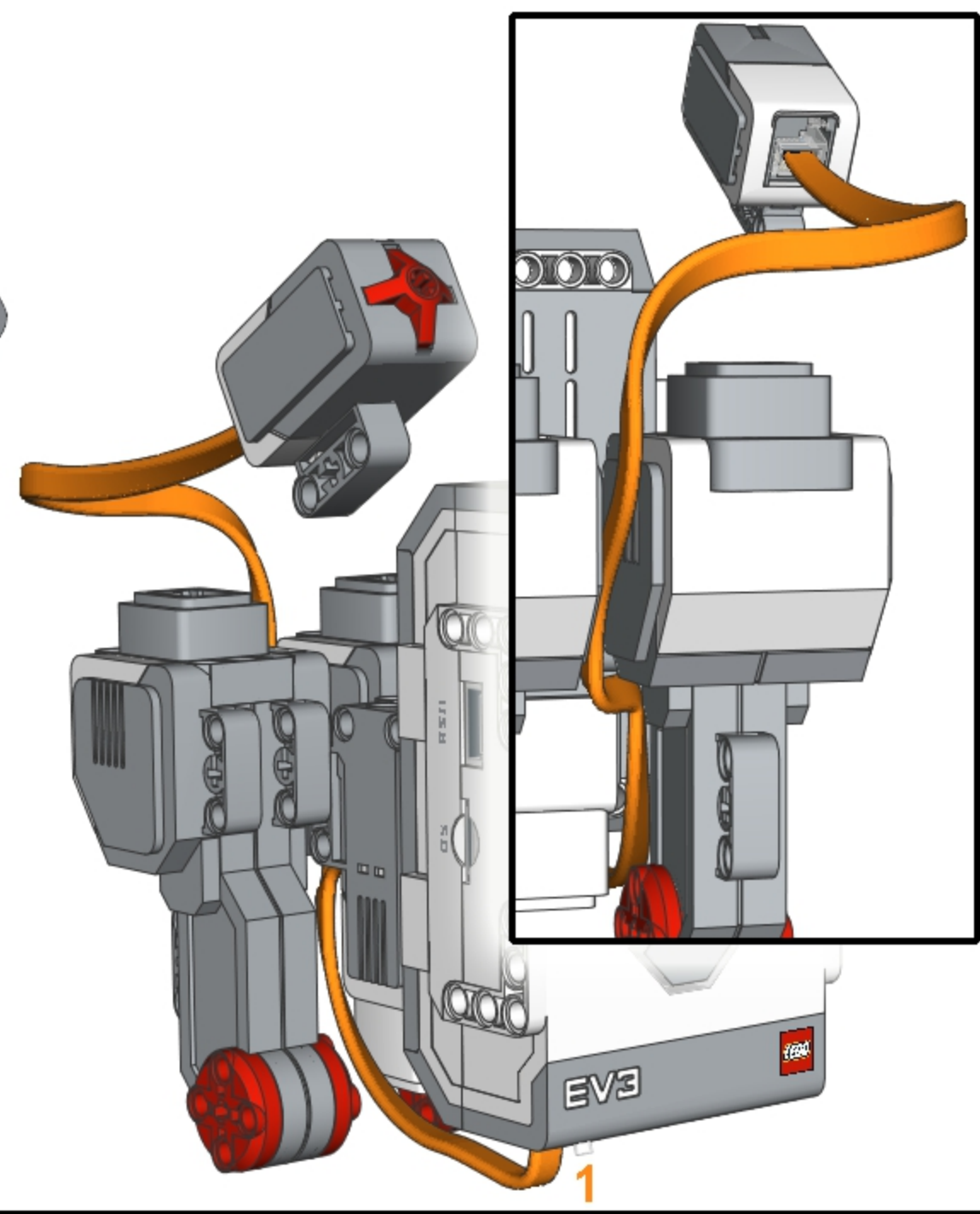
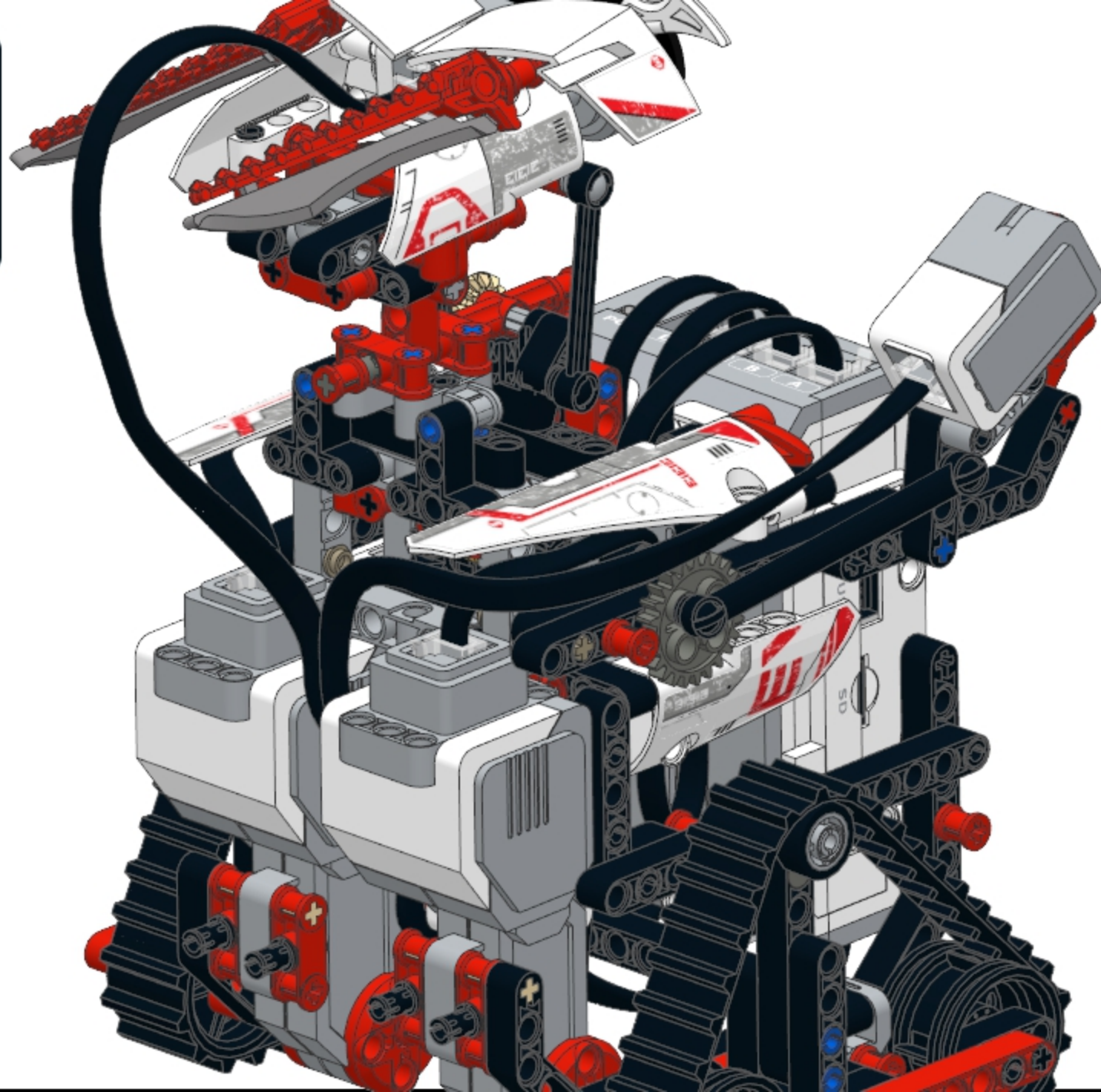
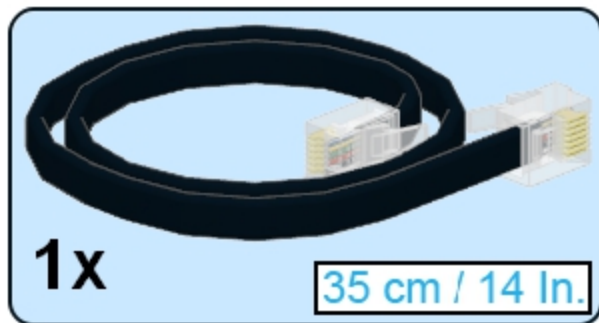
24



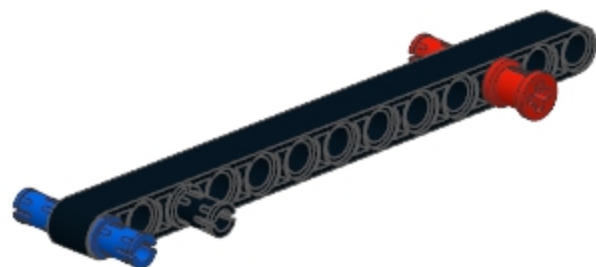
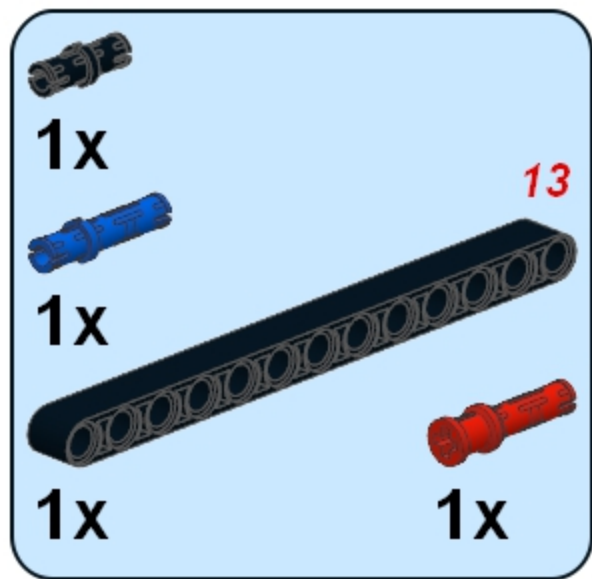
25



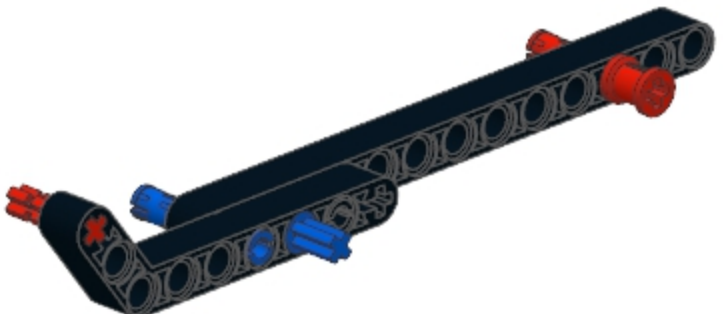
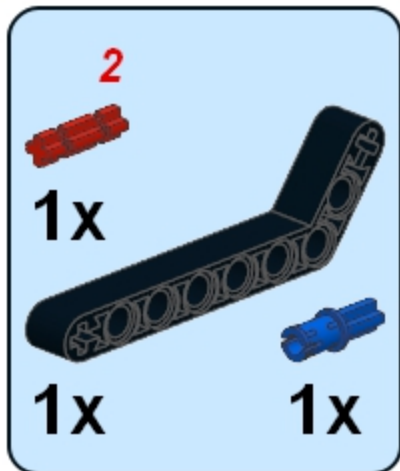
26



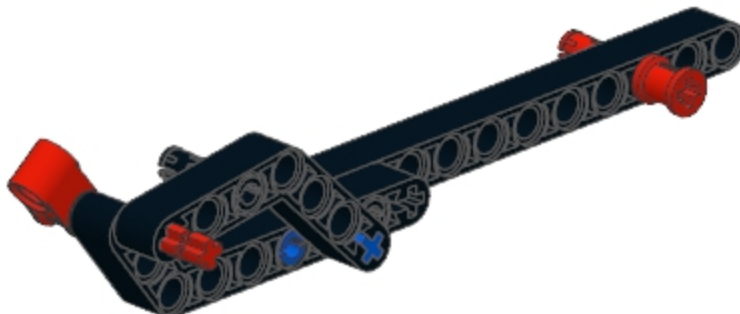
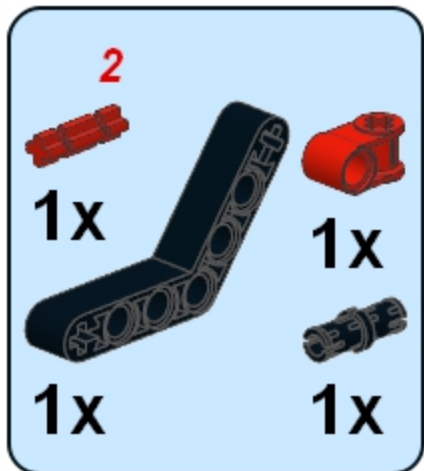
1



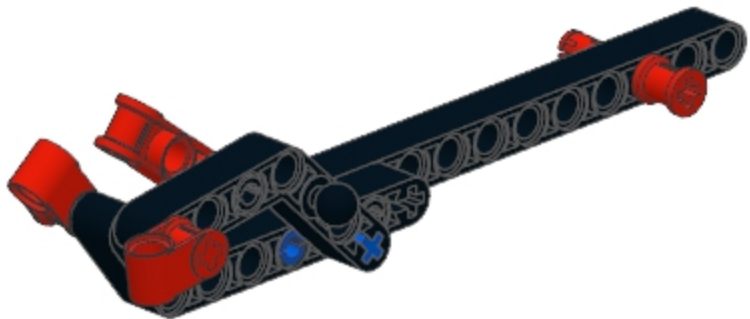
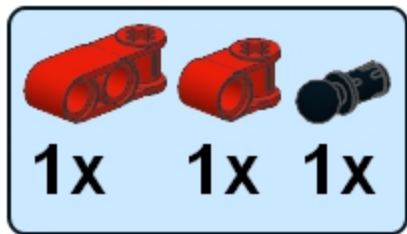
2



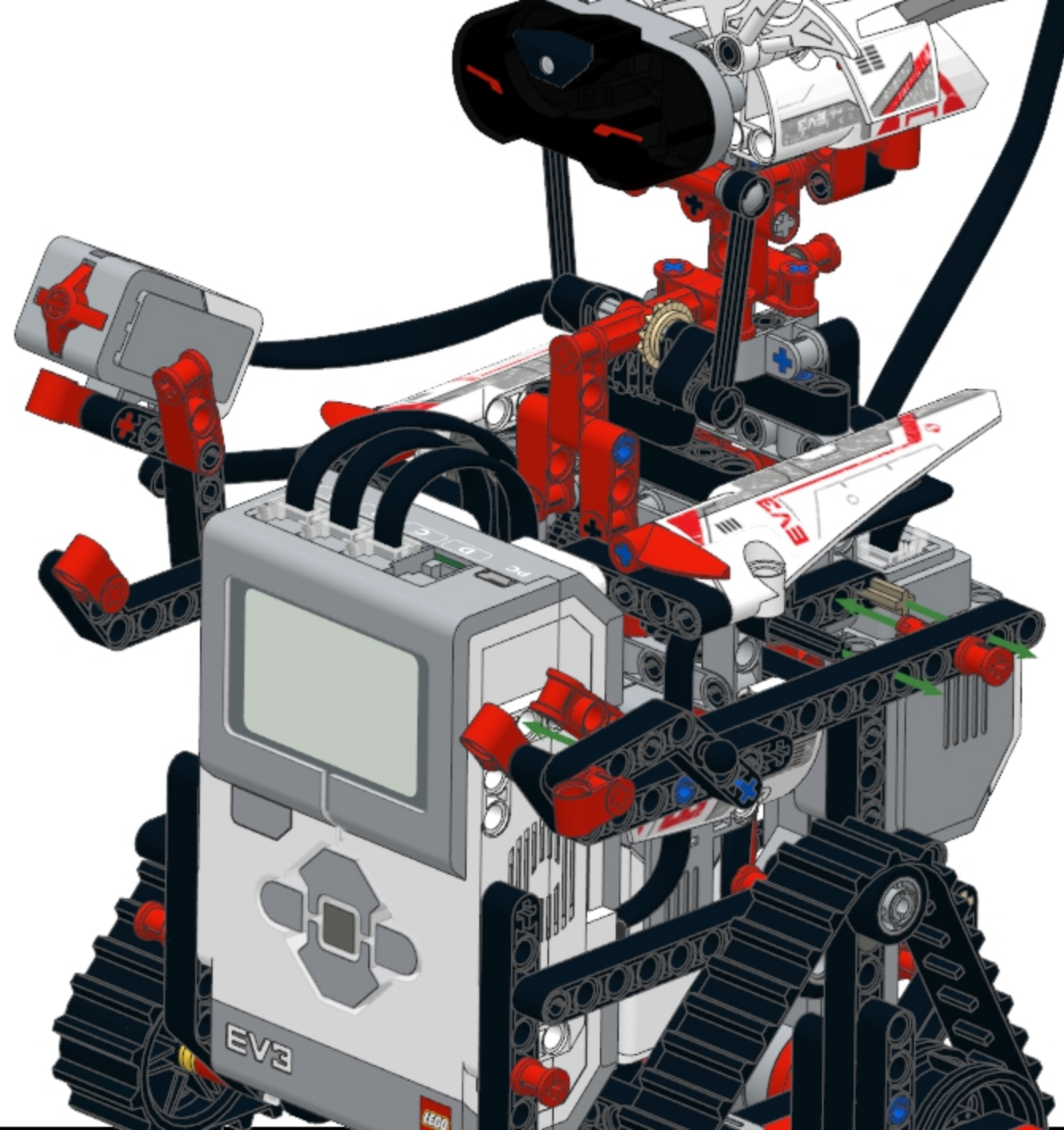
3



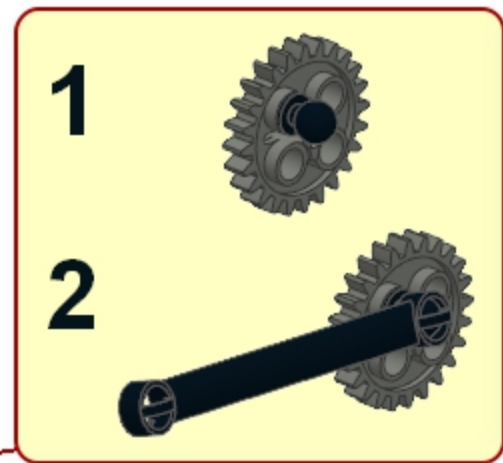
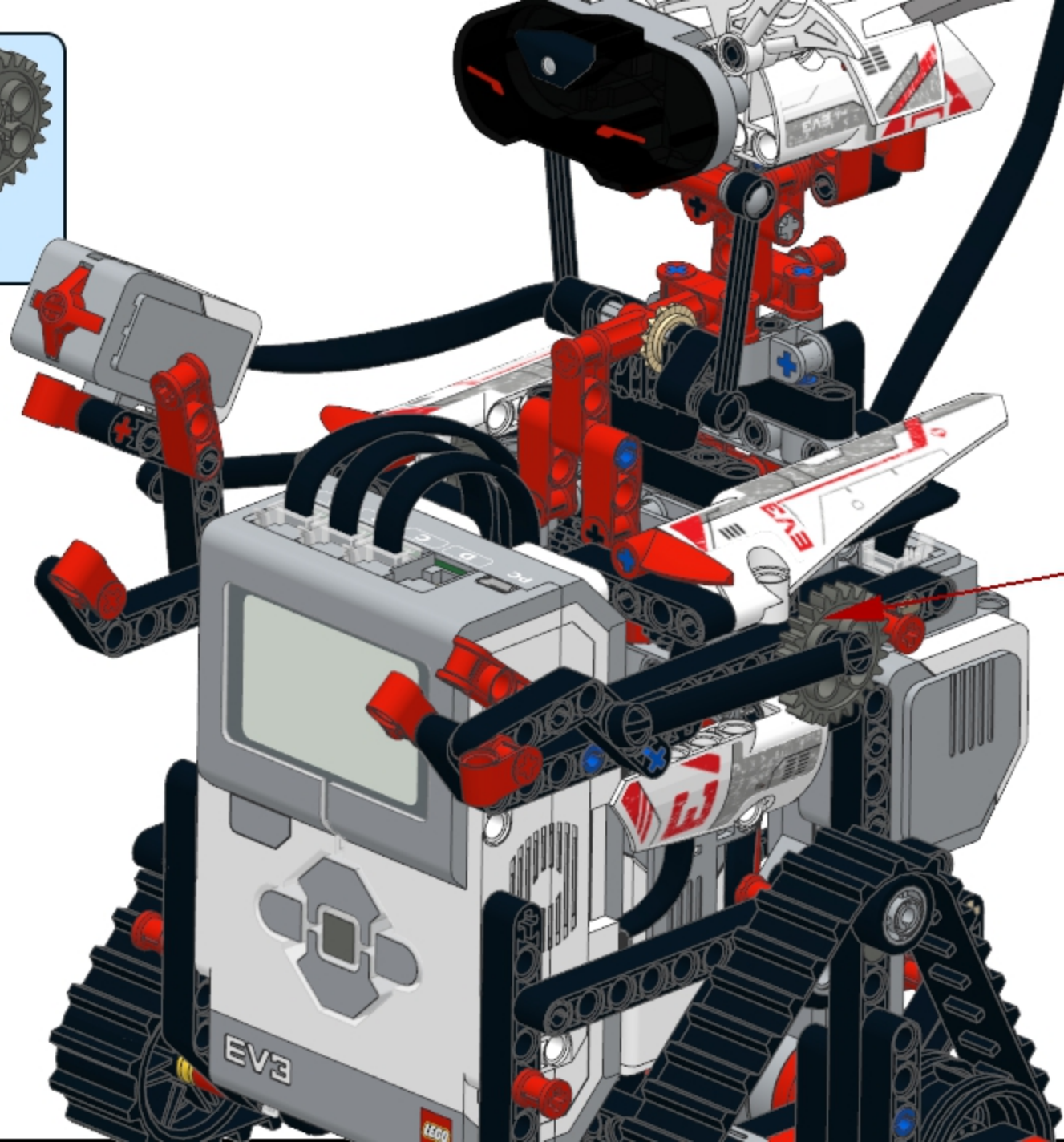
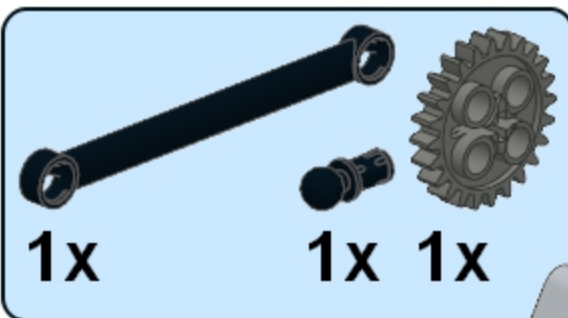
4



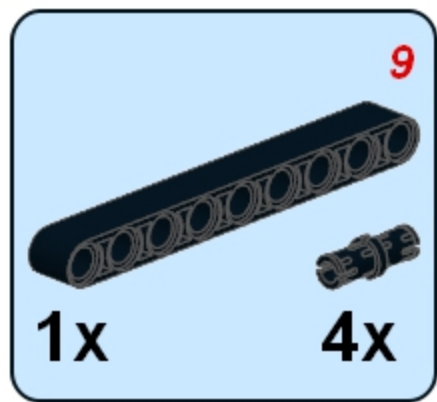
27



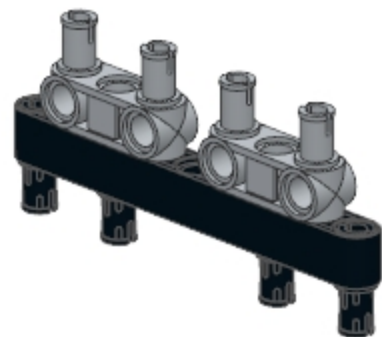
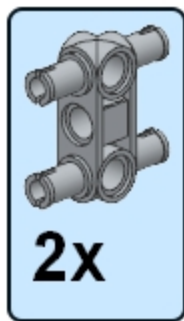
28



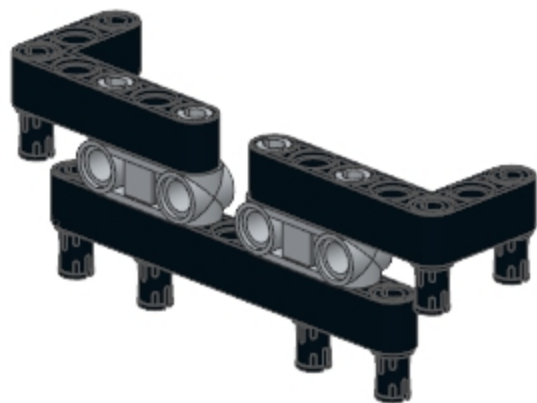
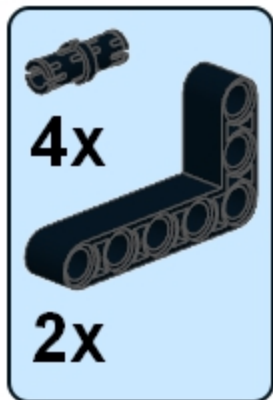
1



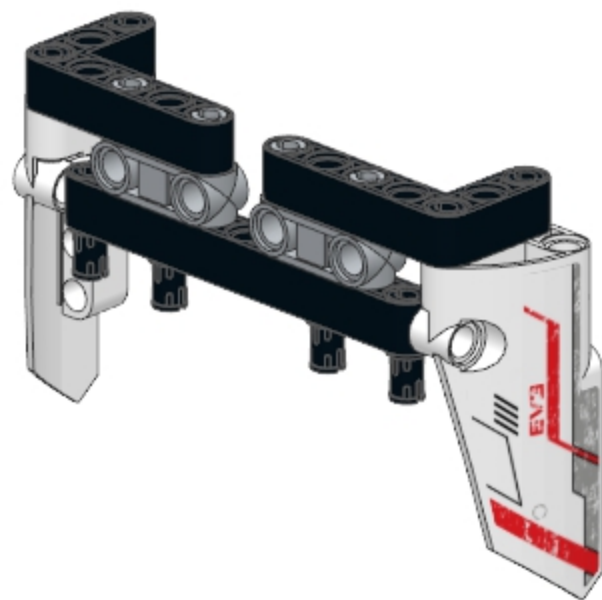
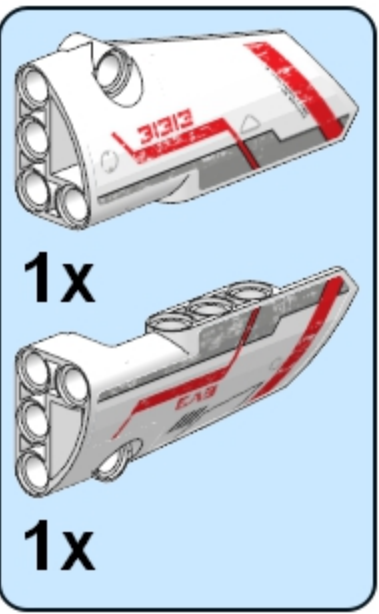
2



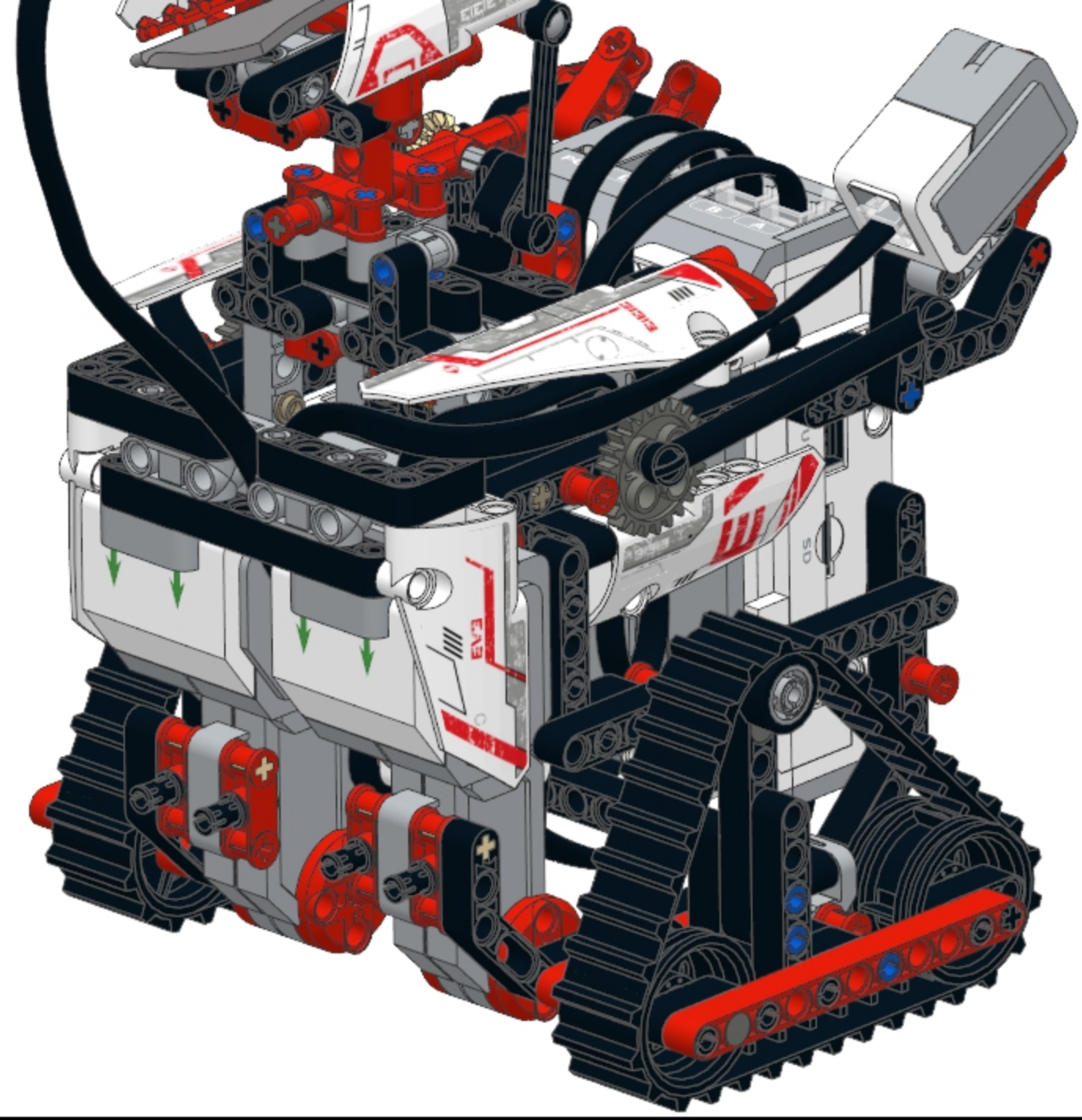
3



4

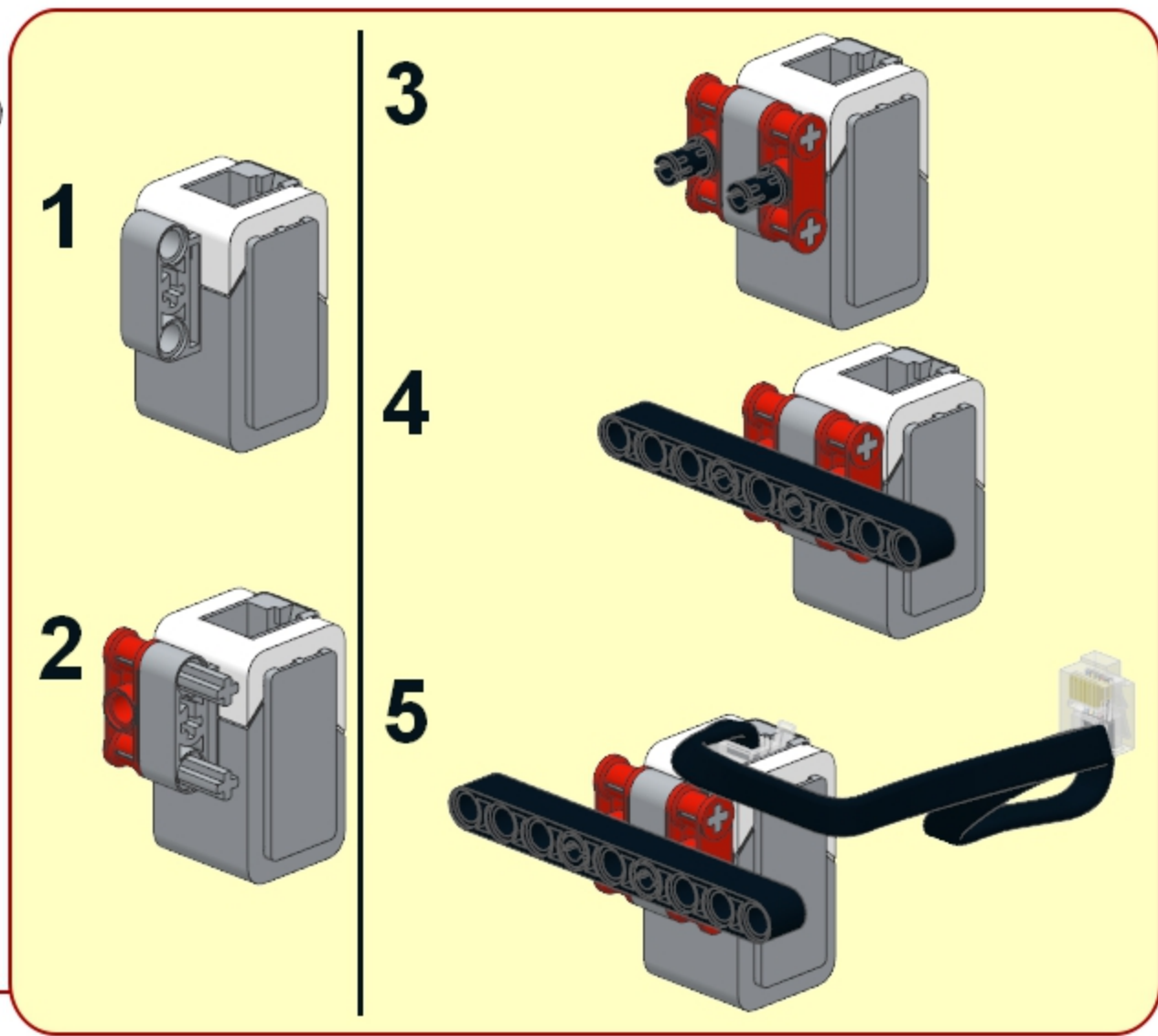
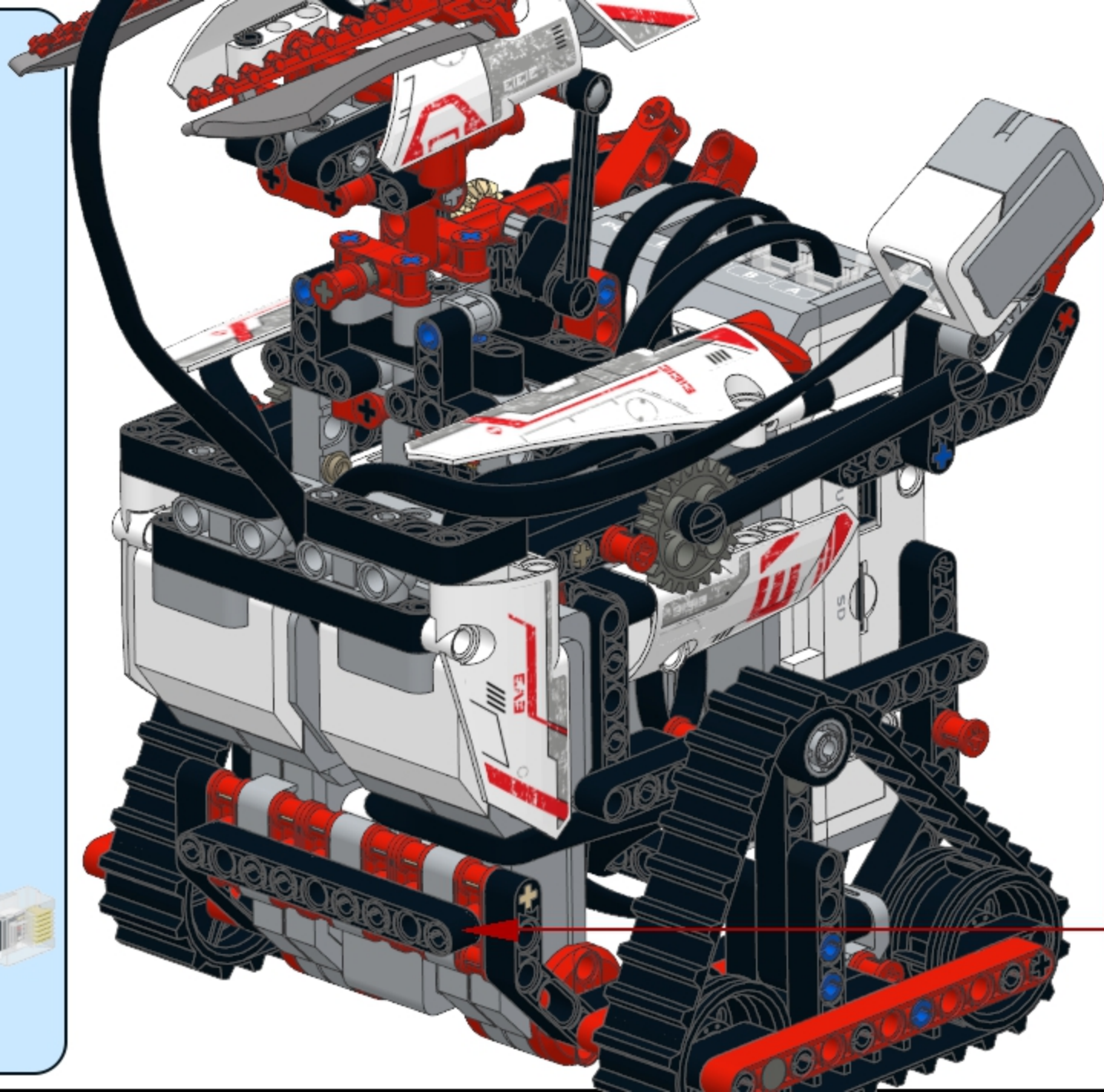


29

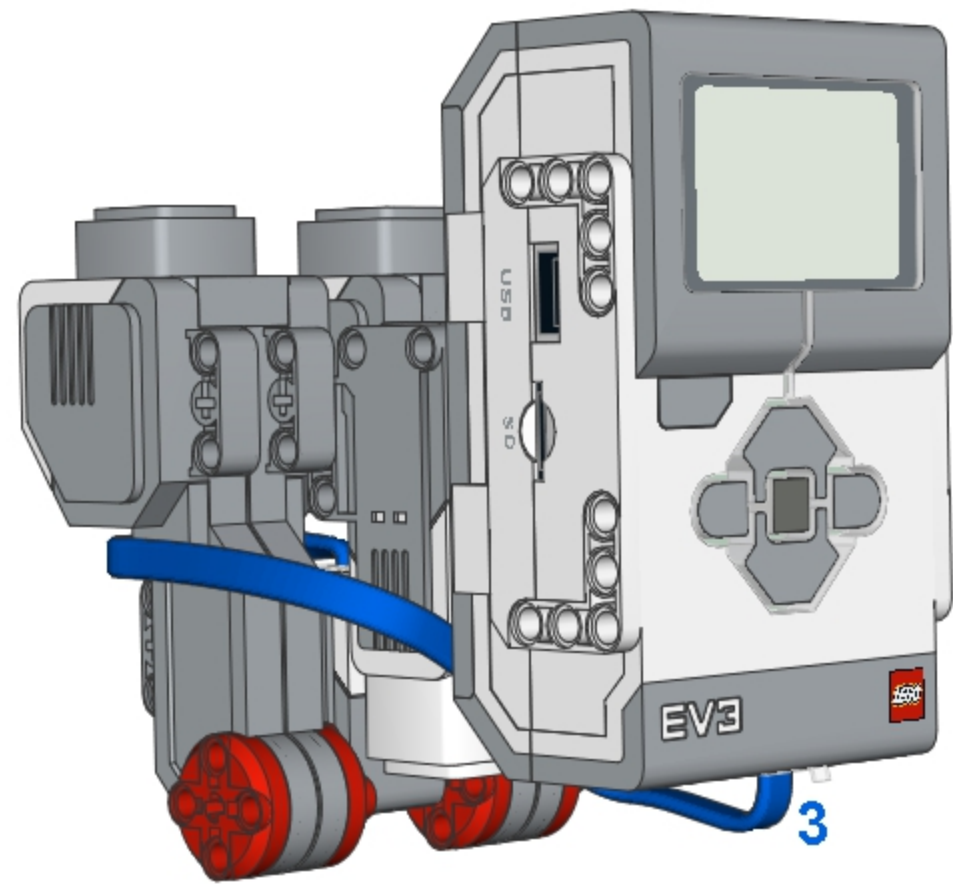
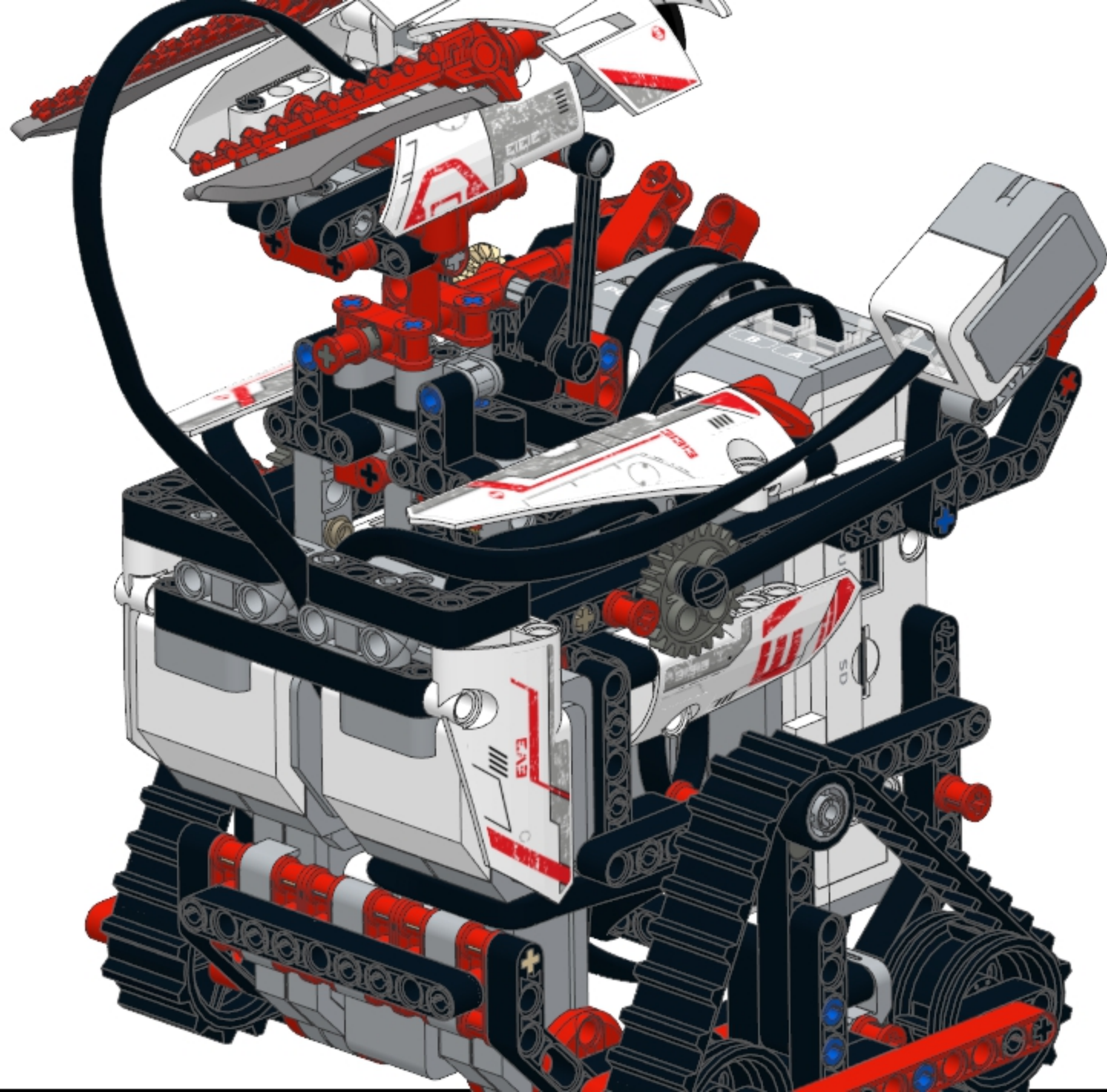


30

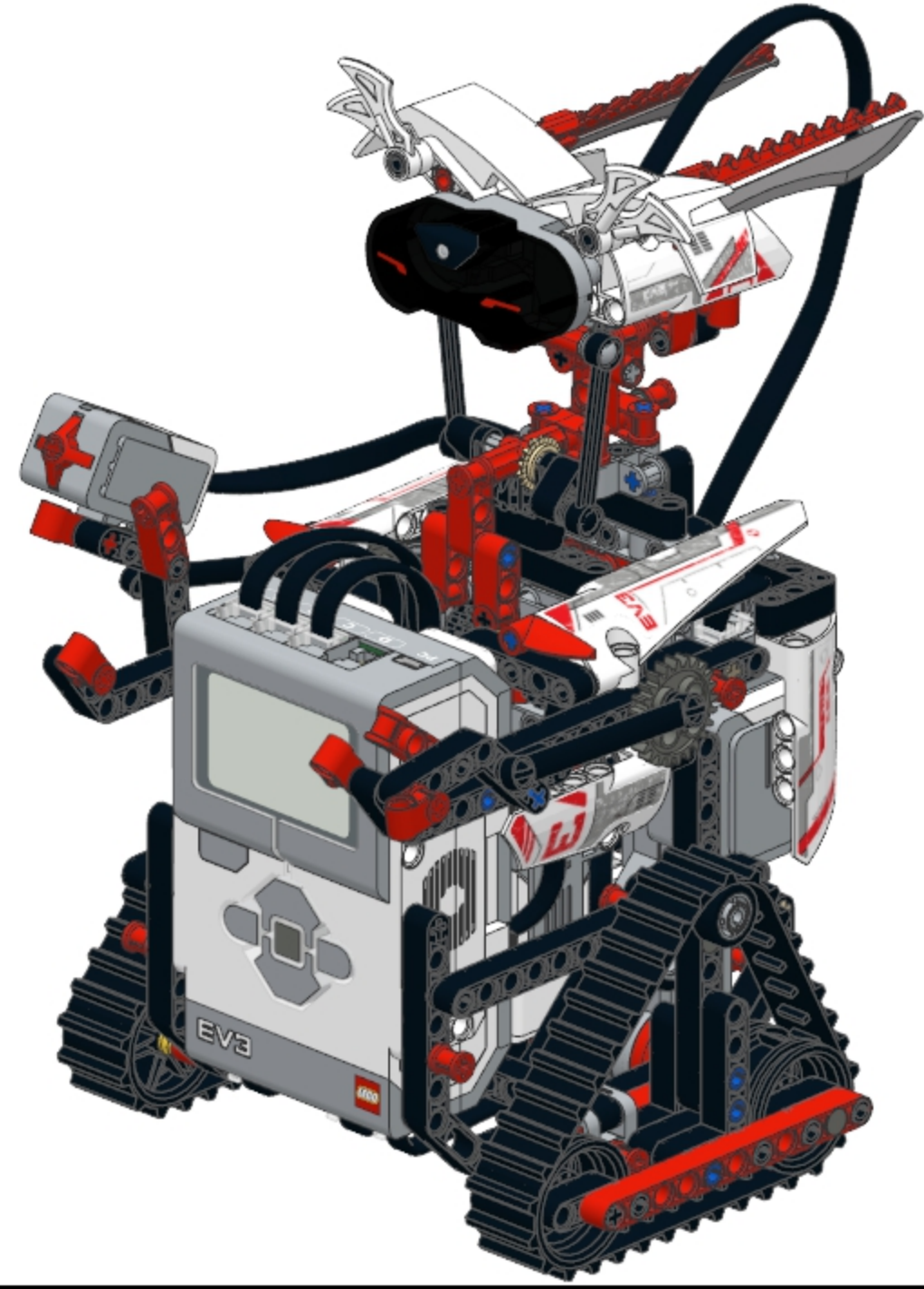
- 2x ³
- 2x
- 2x
- 2x
- 1x
- 1x ⁹
- 1x
- 1x
- 1x



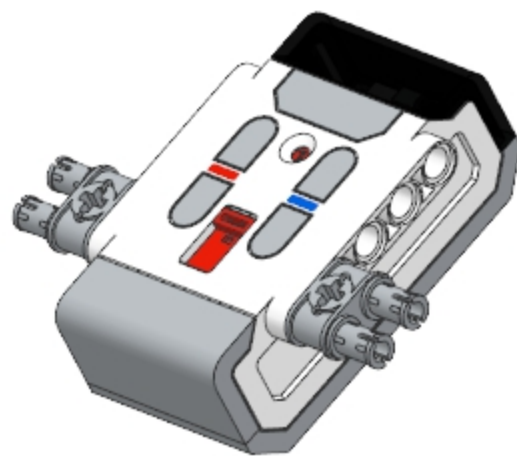
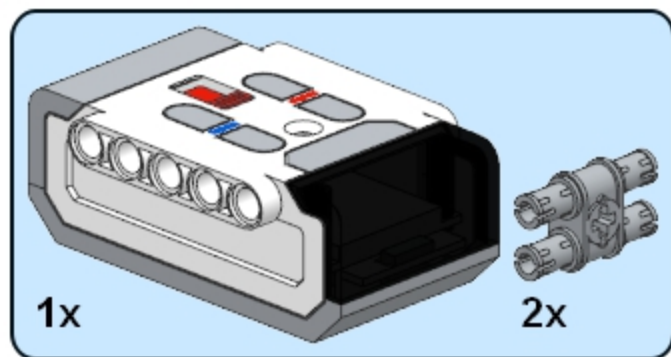
31



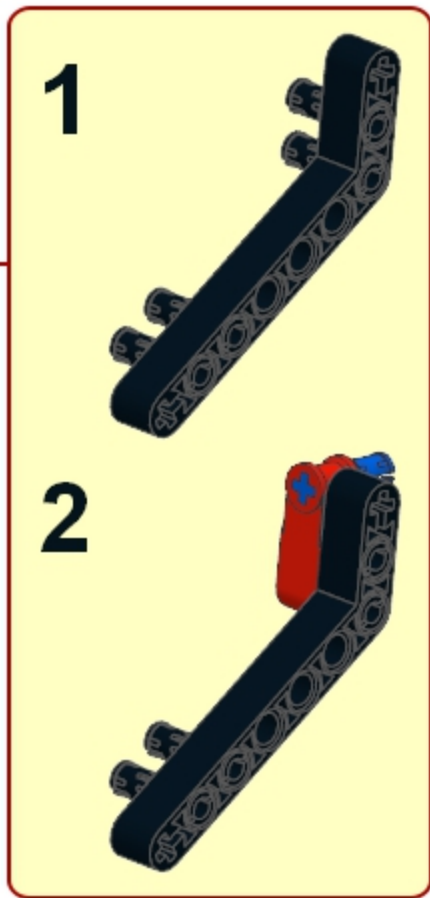
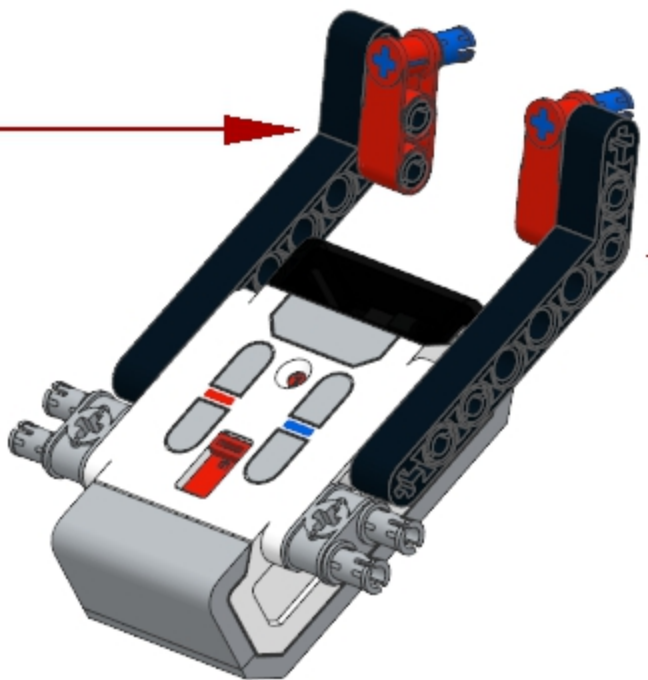
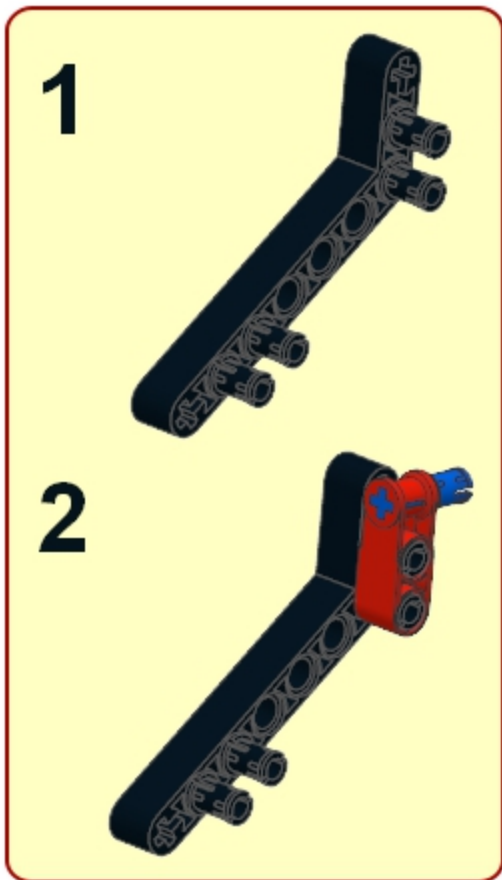
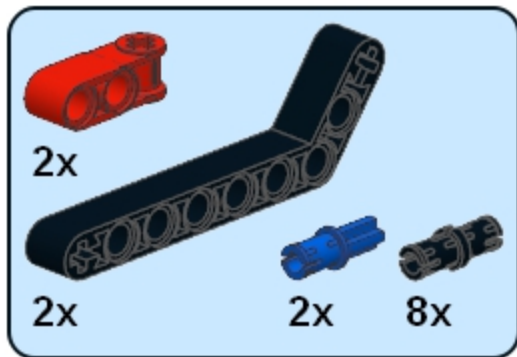
32



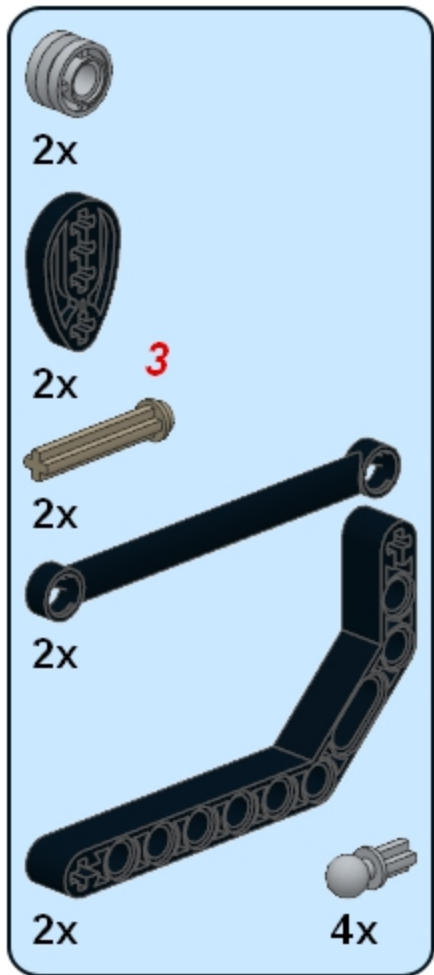
1



2



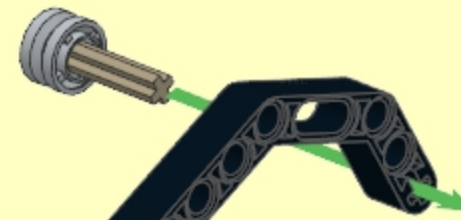
3



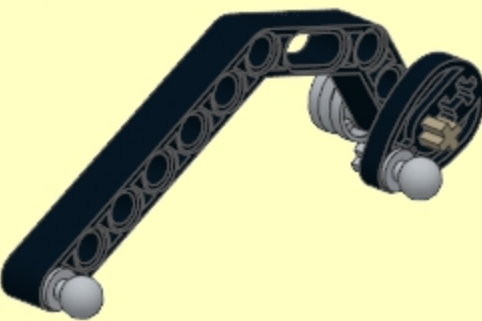
1



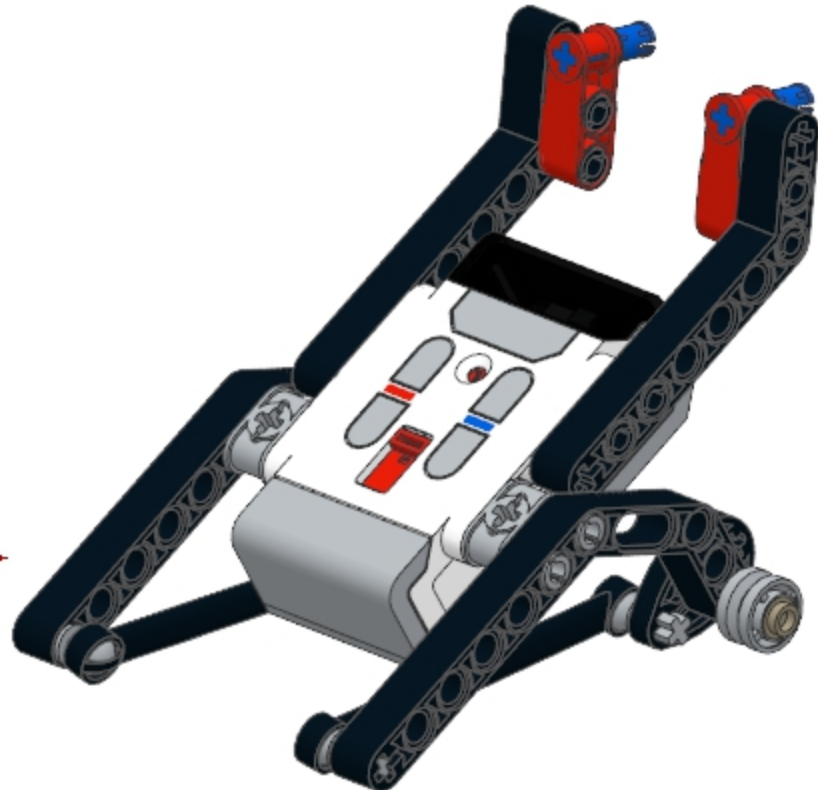
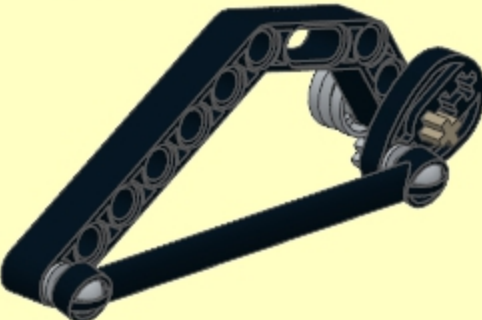
2



3



4



1



2








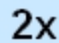
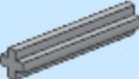

3




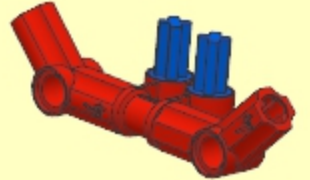
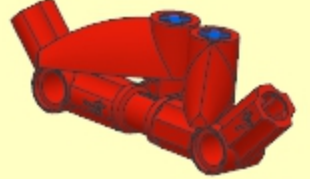
4



4

- 2x 
- 2x 
- 1x 
- 2x 
- 2x 
- 2x 
- 1x 
- 3 



- 1 
- 2 
- 3 
- 4 