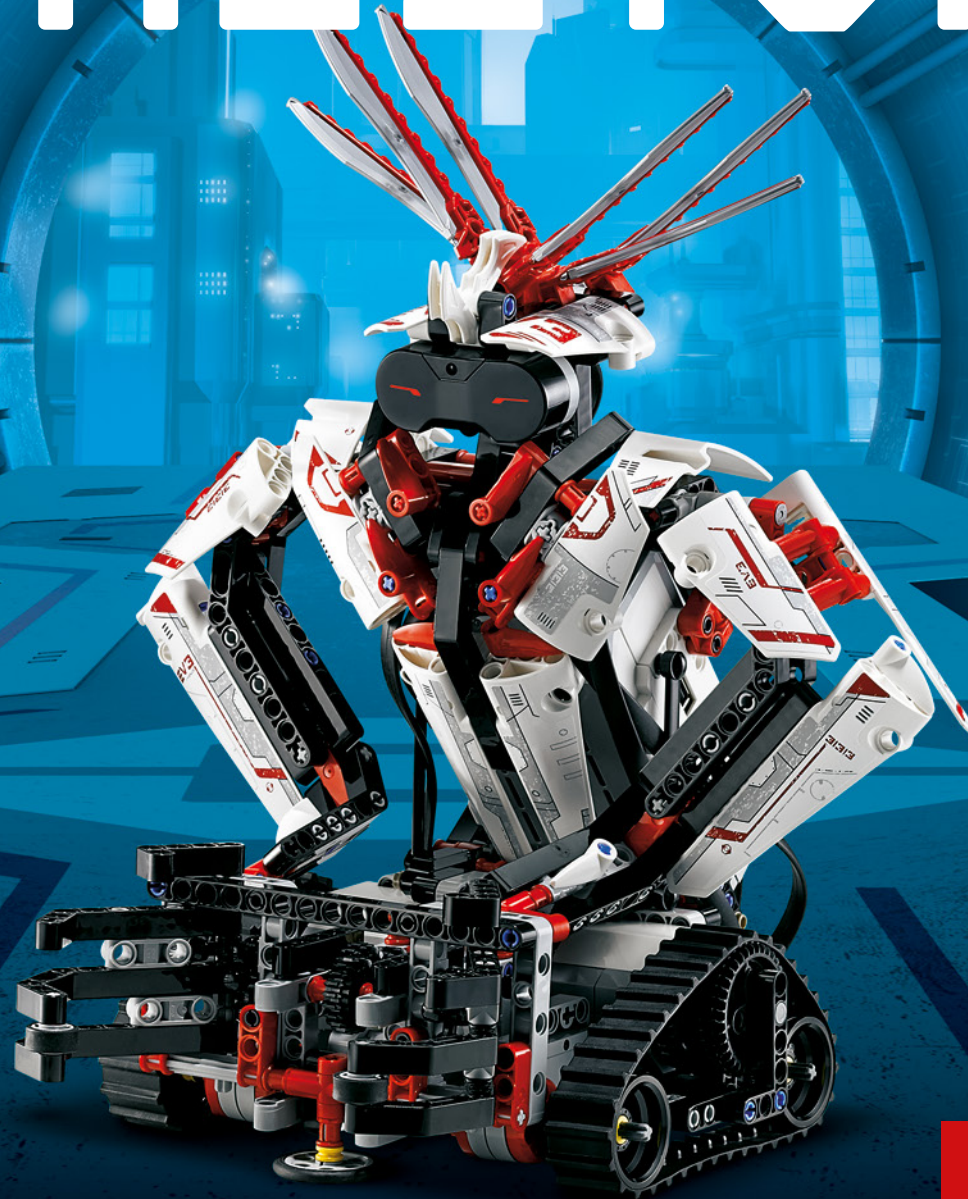




# MINDSTORMS

EV3

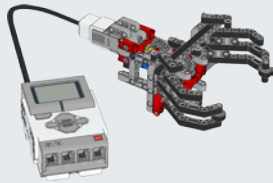


31313

GRIPP3R



1.

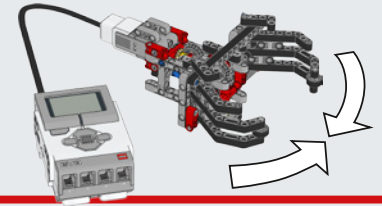


2.

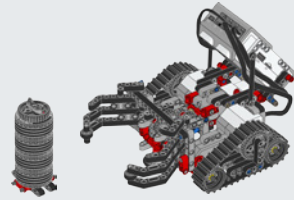
### MISSION 01



3.



1.

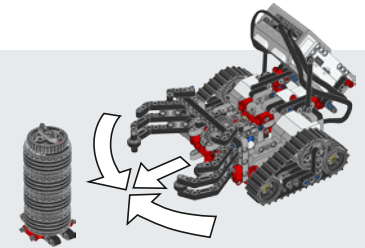


2.

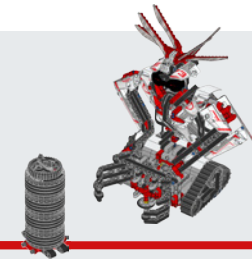
### MISSION 02



3.



1.

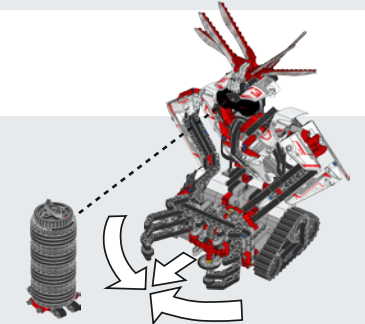


2.

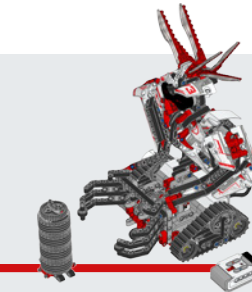
### MISSION 03



3.



1.

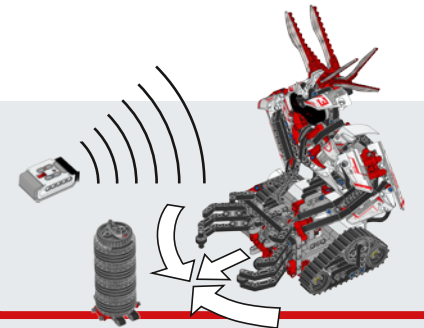


2.

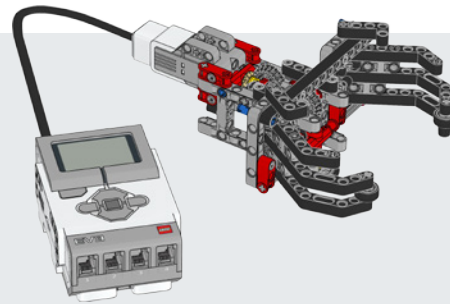
### MISSION 04

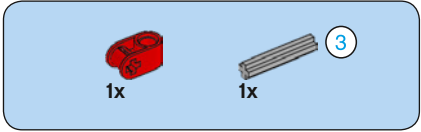
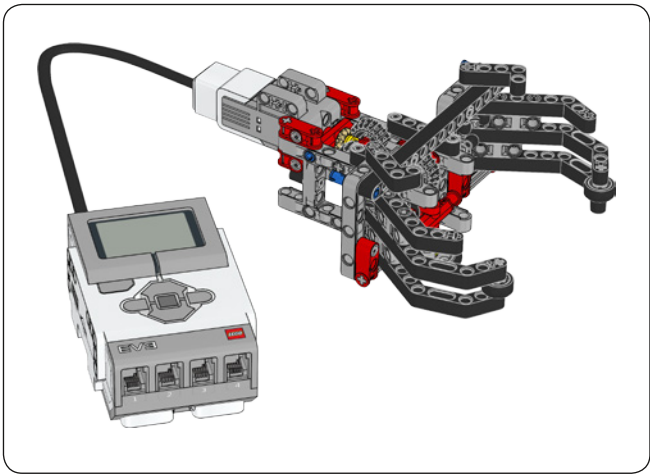


3.

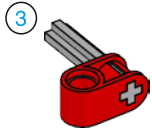


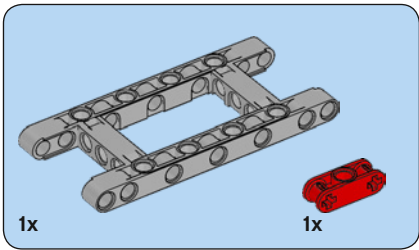
# MISSION 01



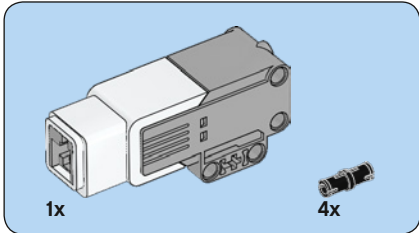
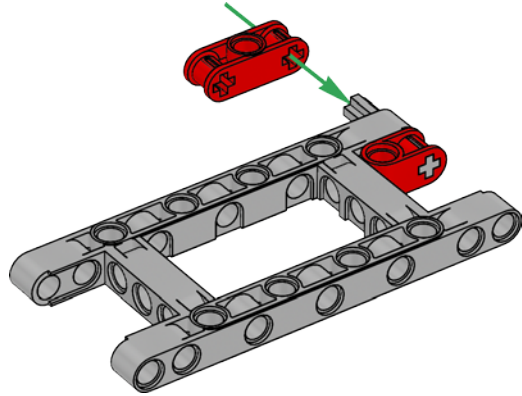


1

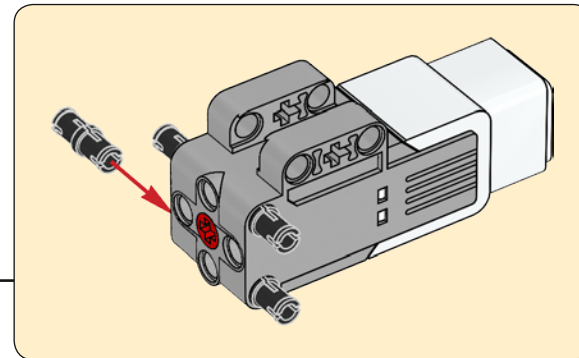
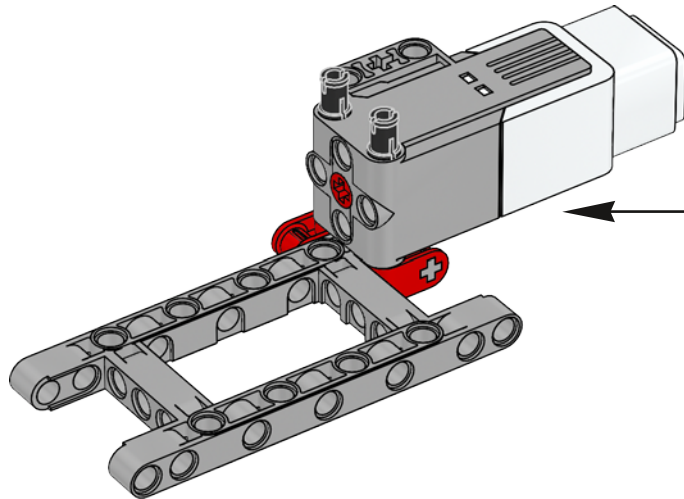


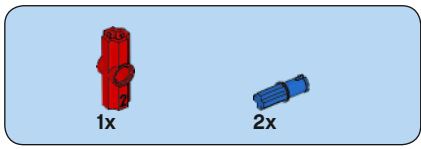


2

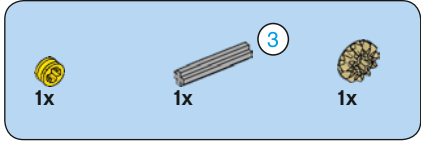
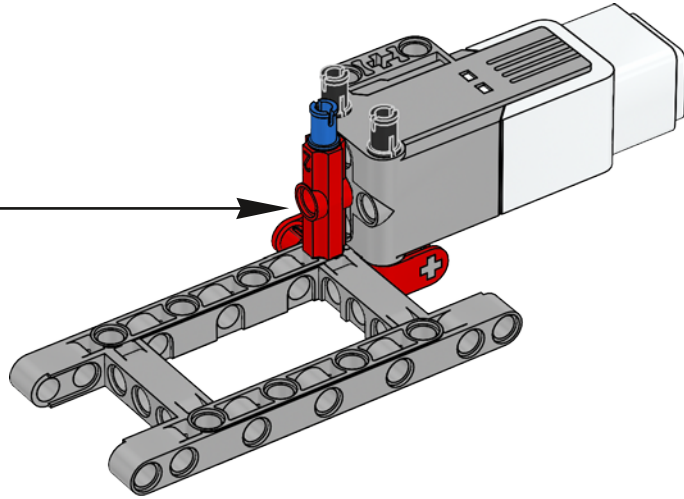
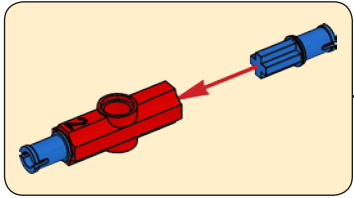


3

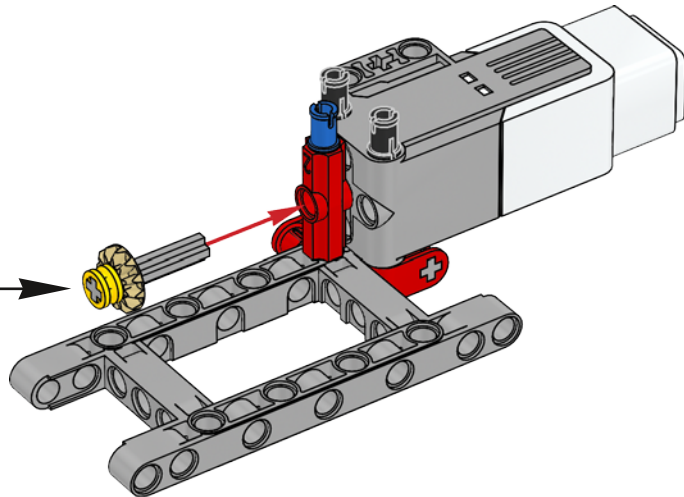
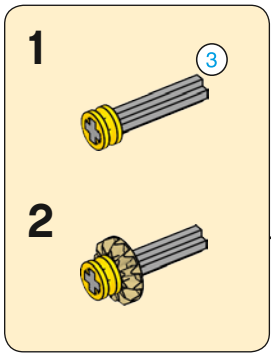


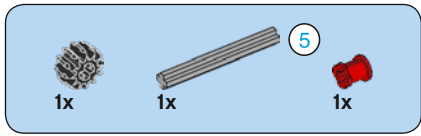


4

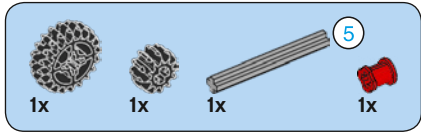
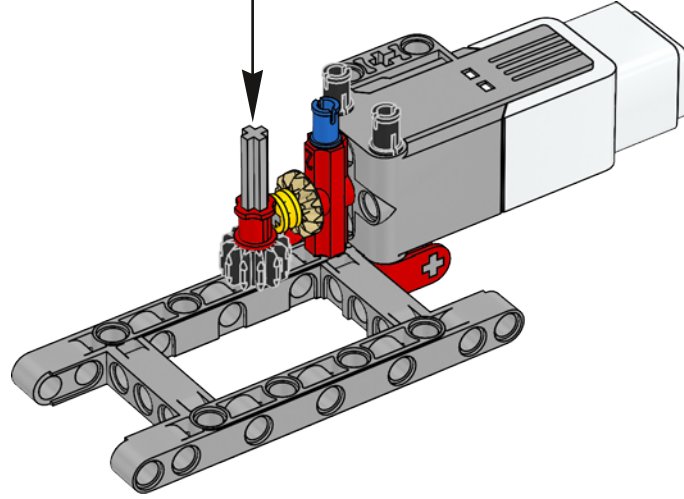
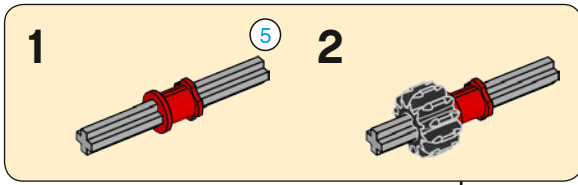


5

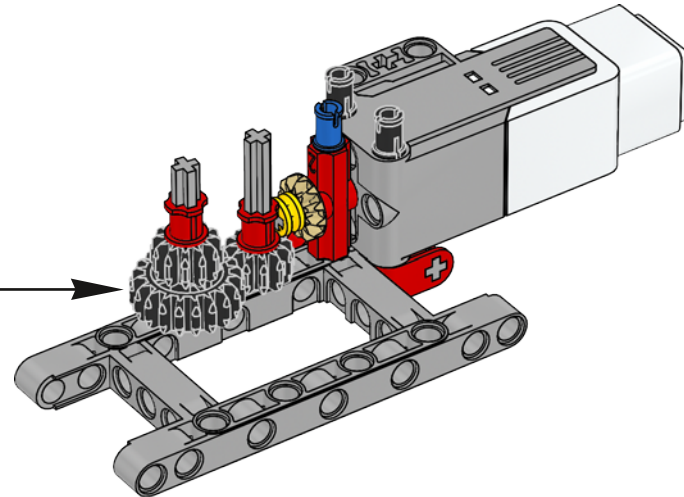
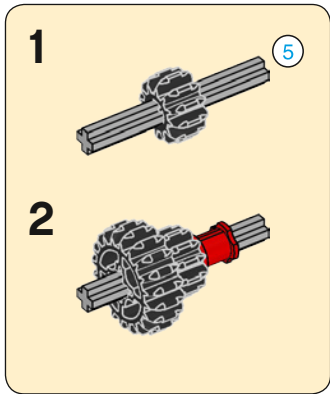


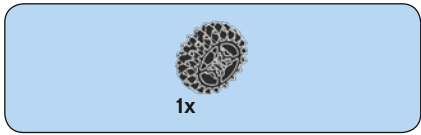


6

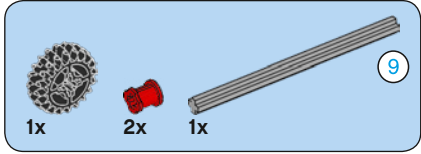
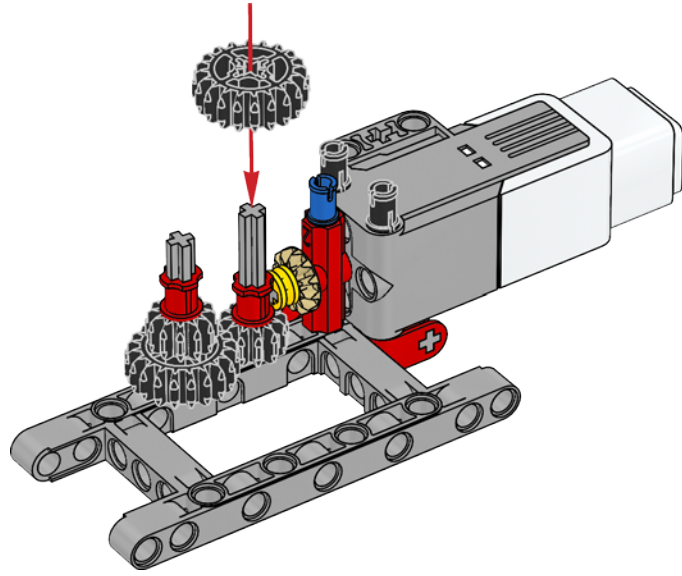


7

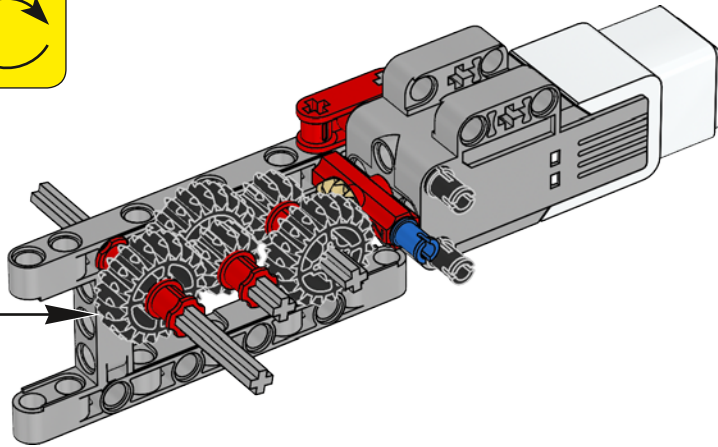
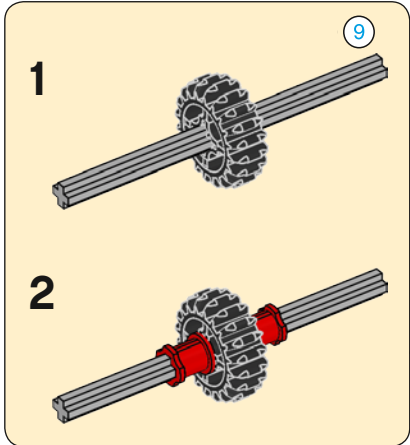




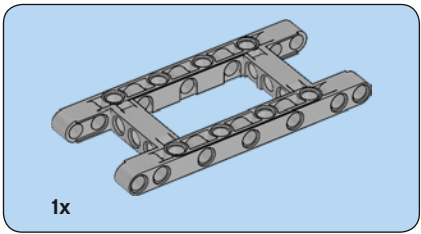
8



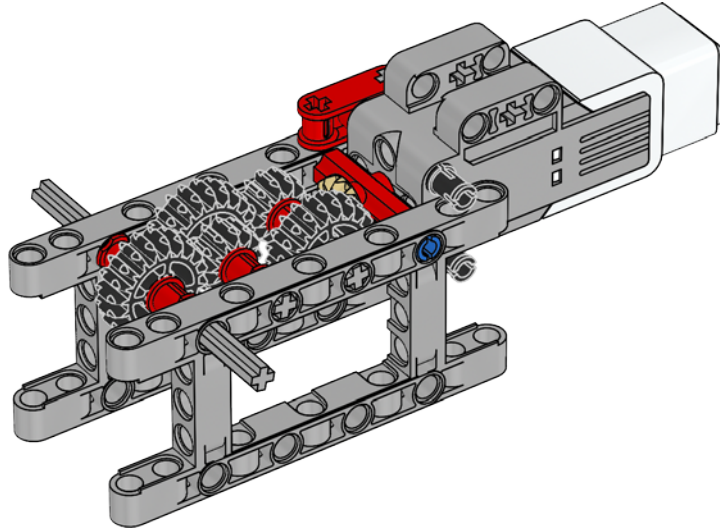
9



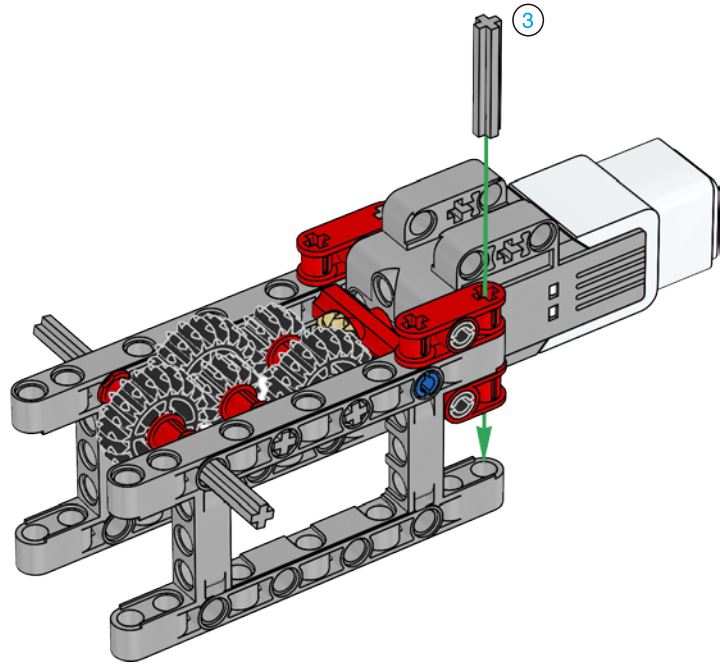


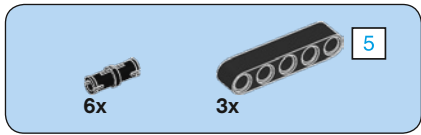


10

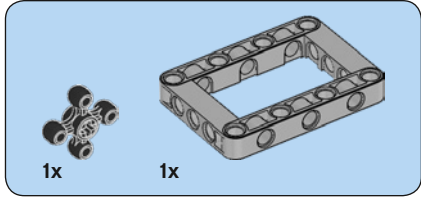
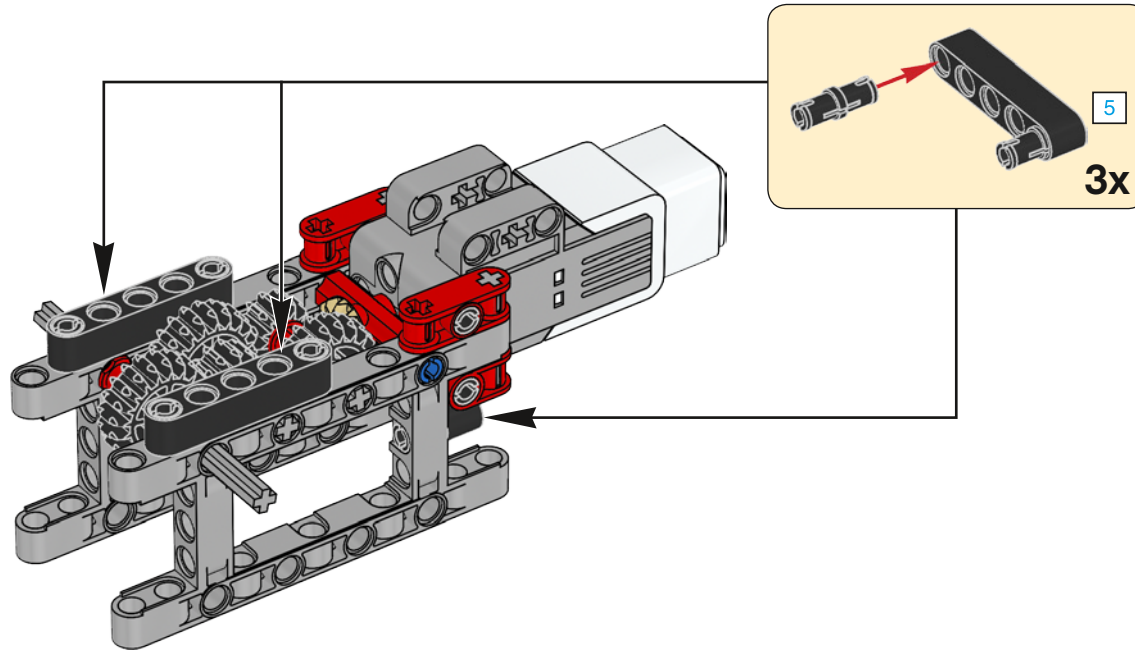


11

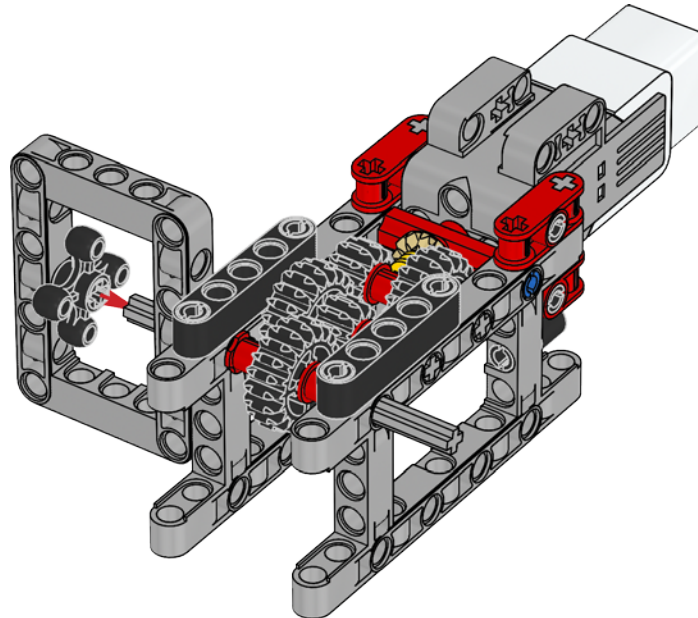


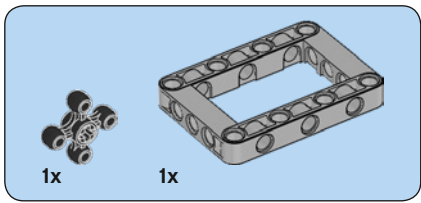


12

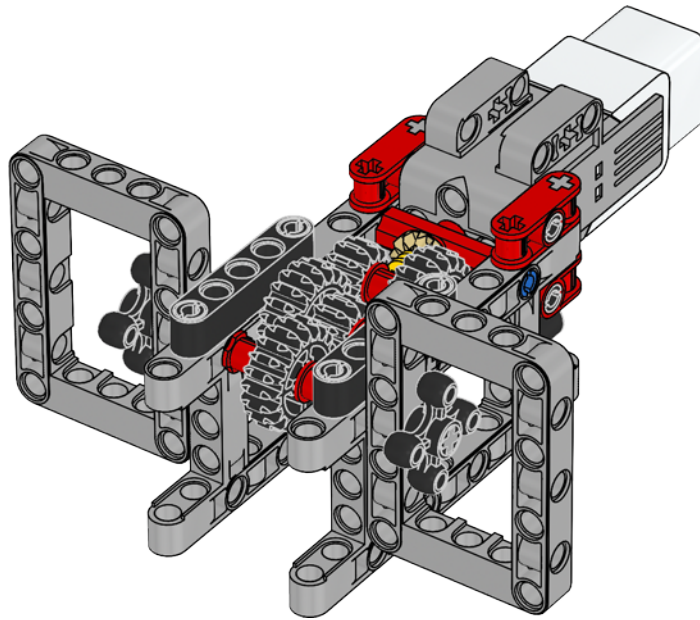


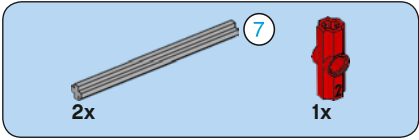
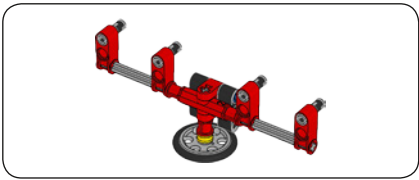
13



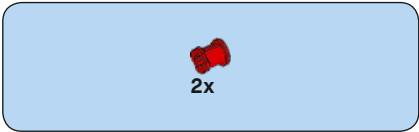
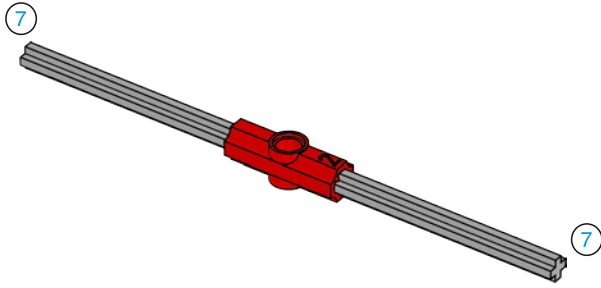


14

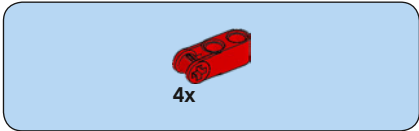
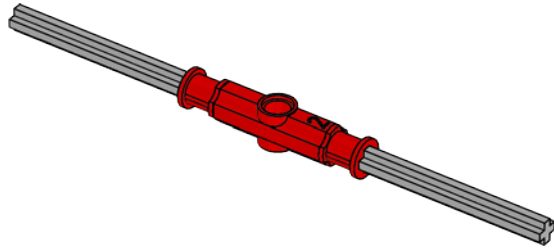




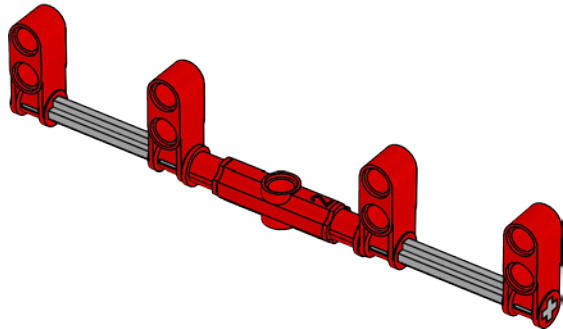
1

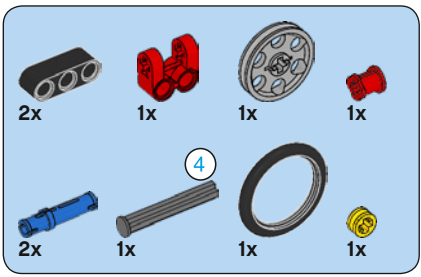


2

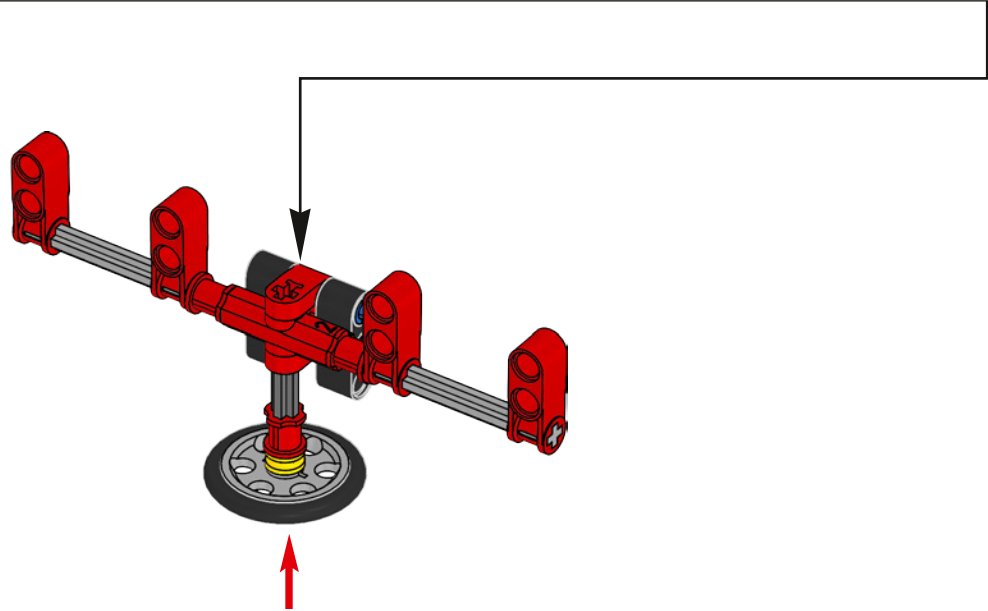
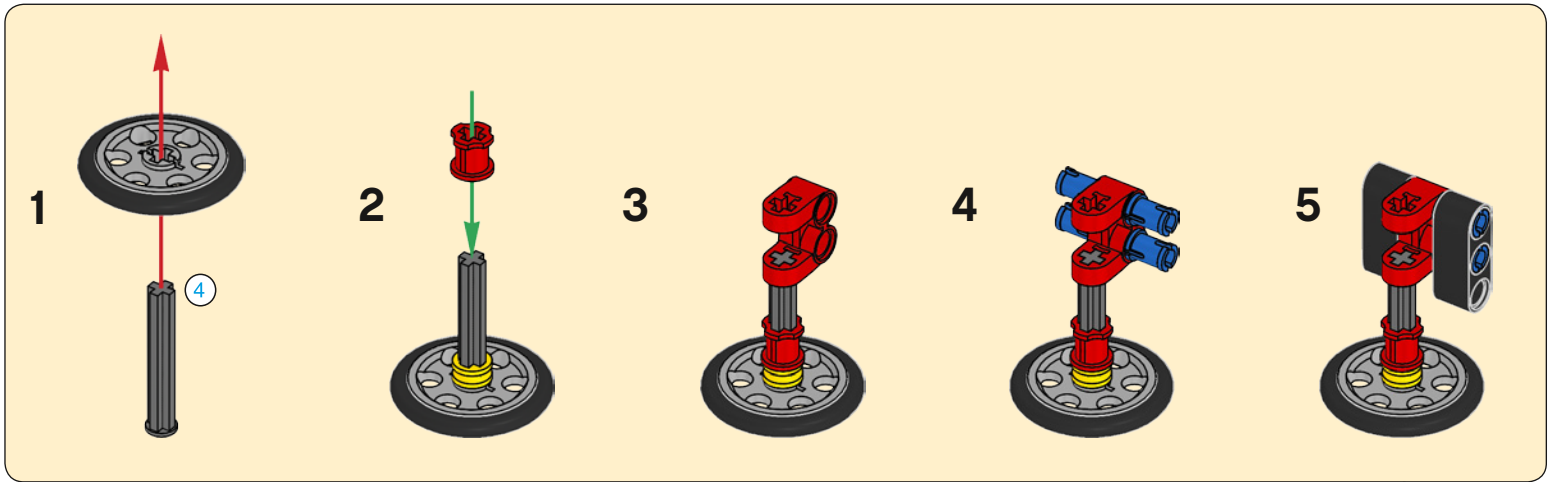


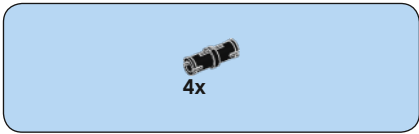
3



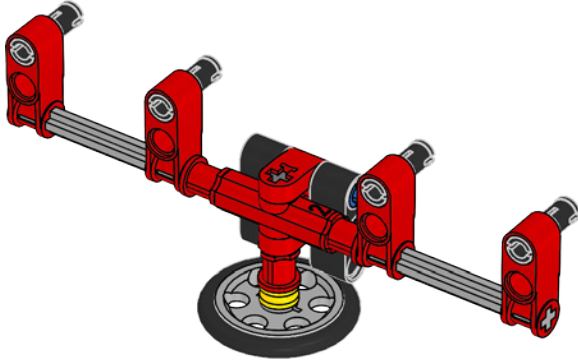


4

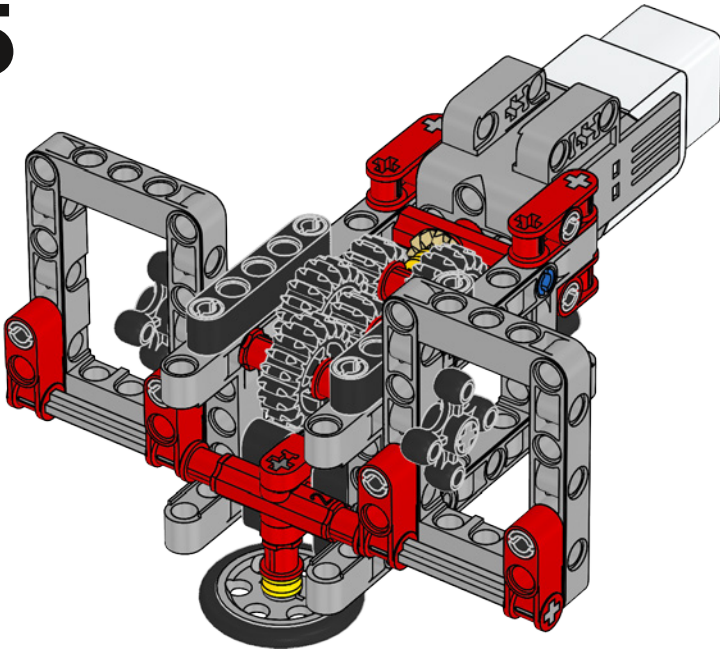


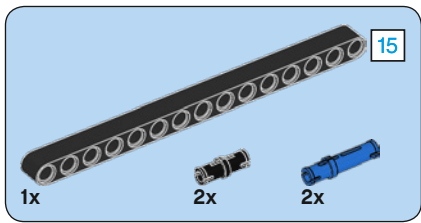


5

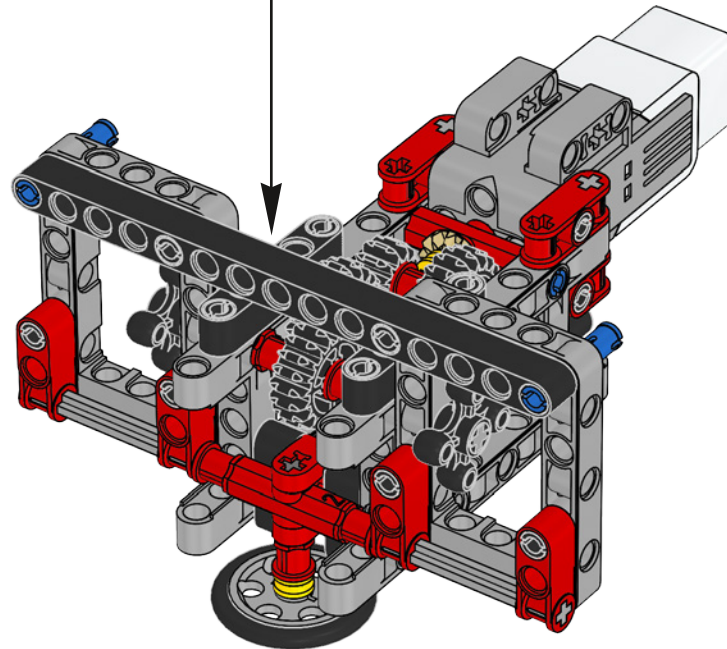
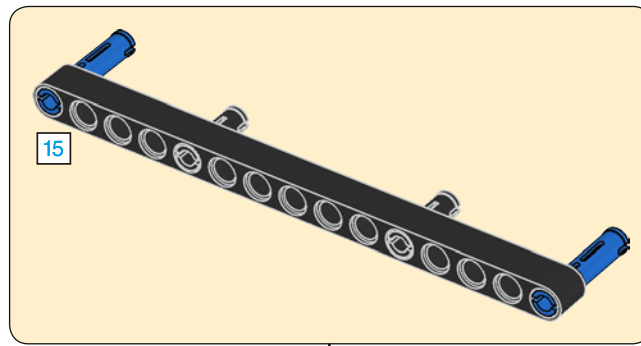


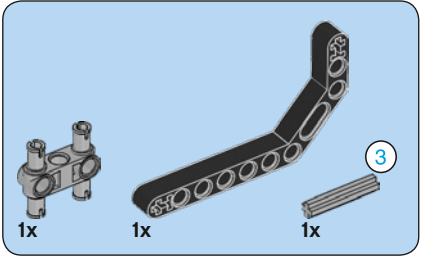
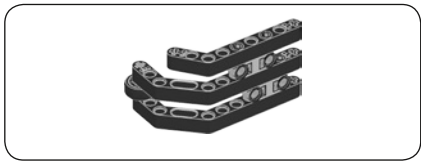
15



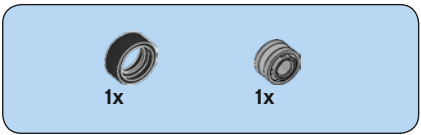
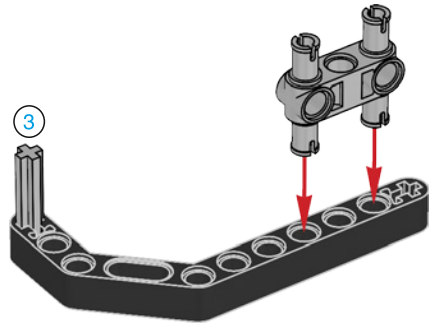


16

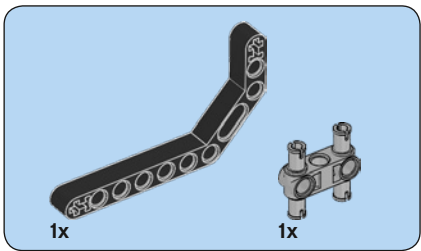
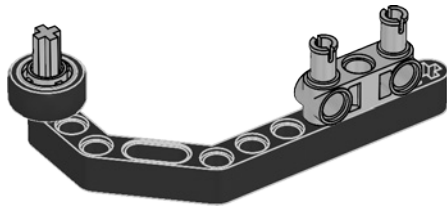




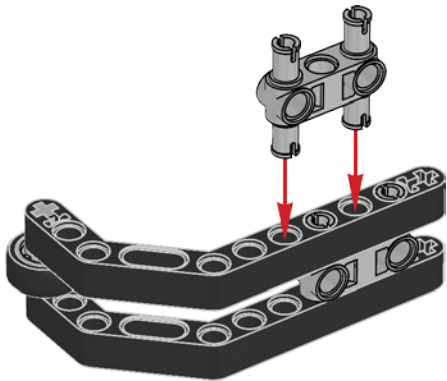
1



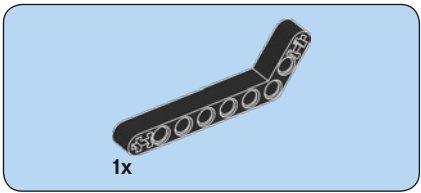
2



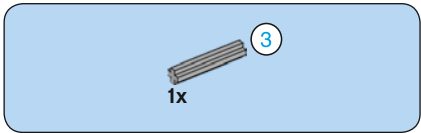
3



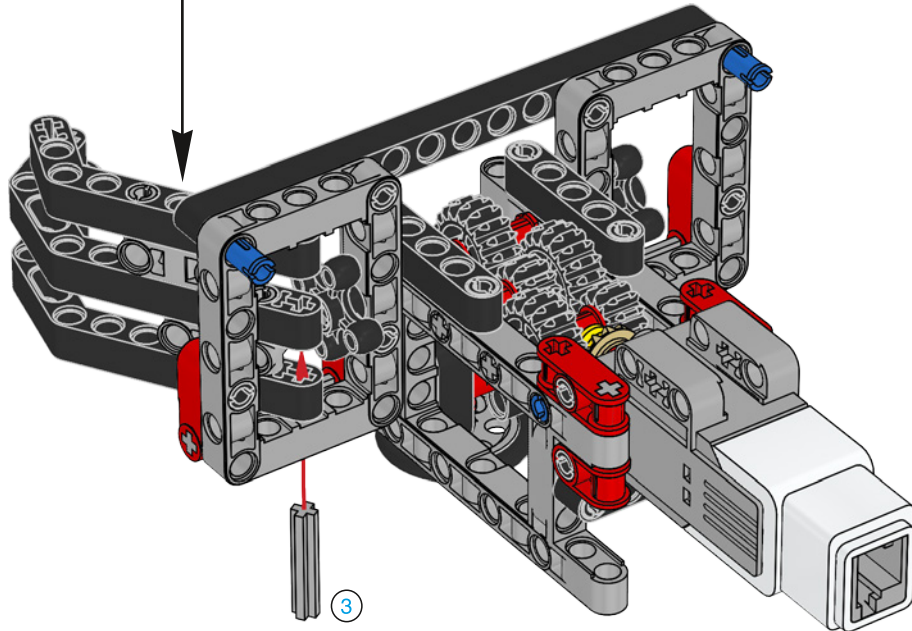


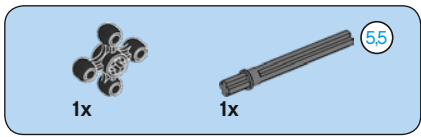


4

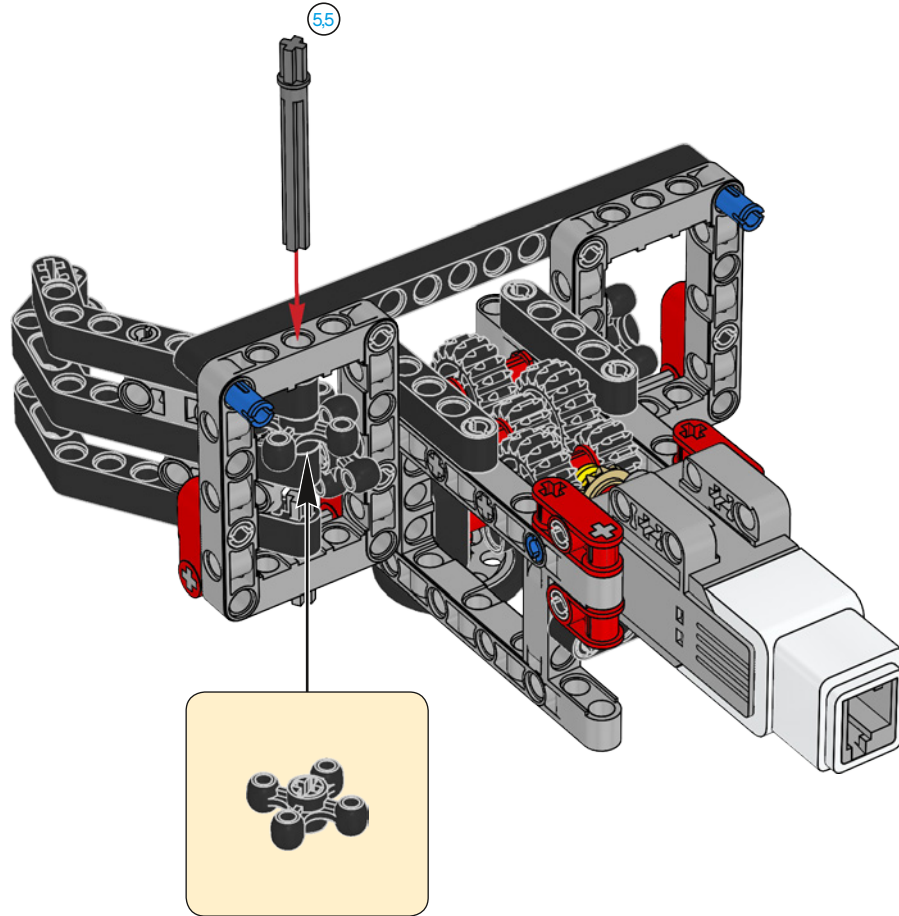


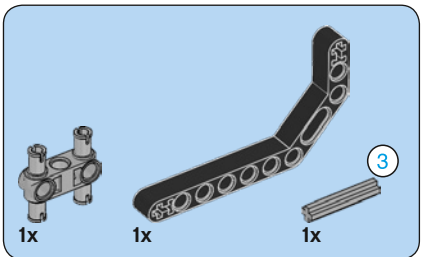
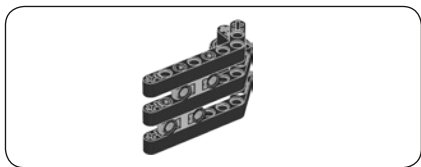
17



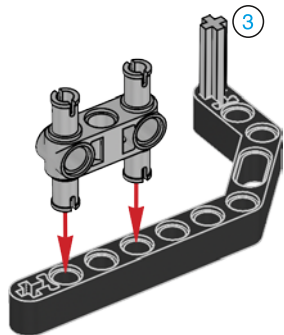


18

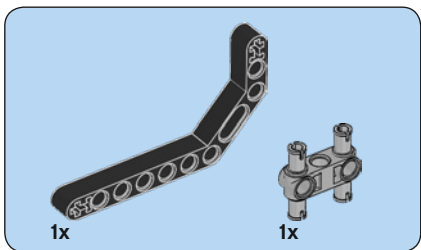
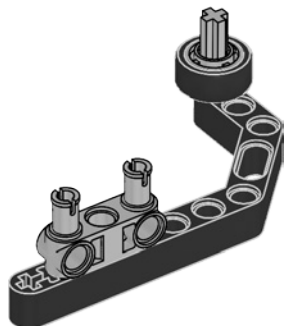




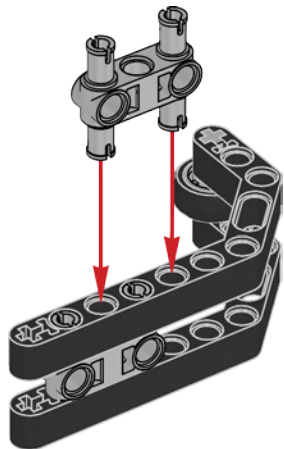
1

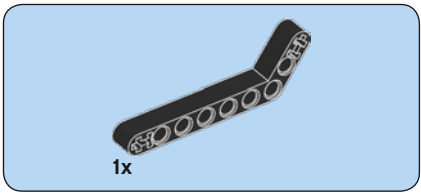


2

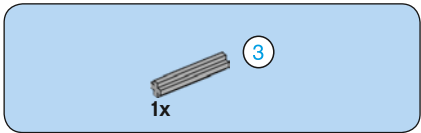
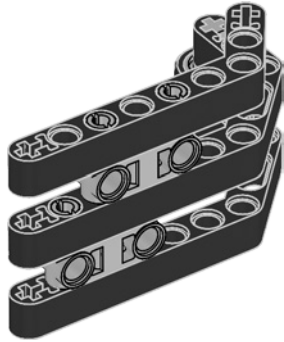


3

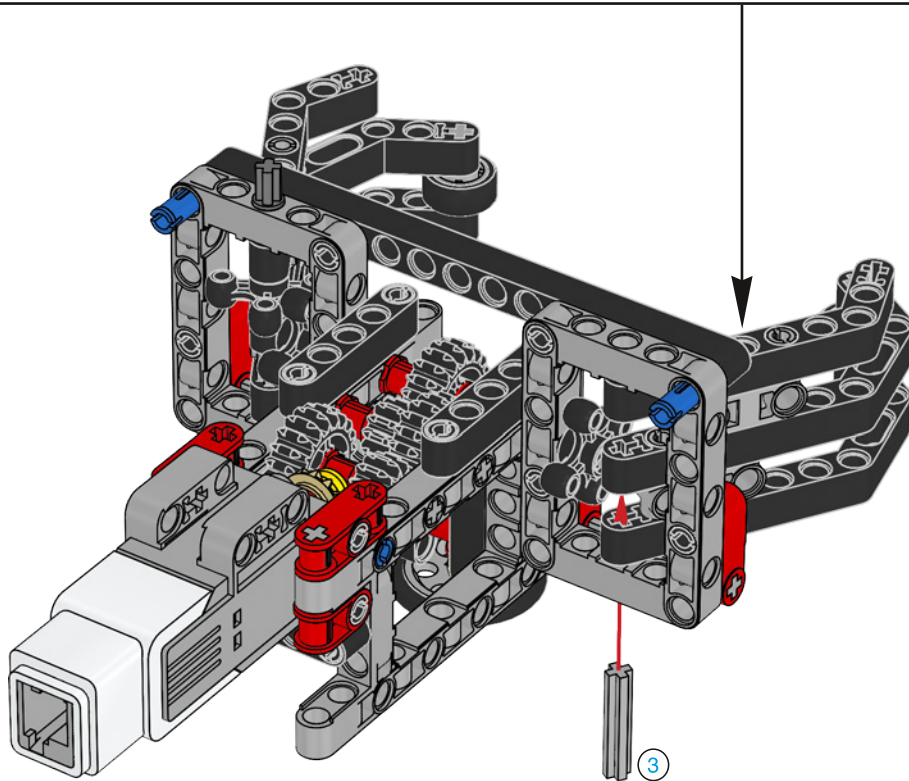


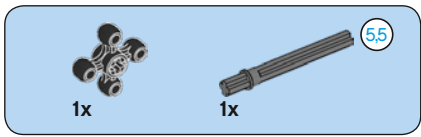


4

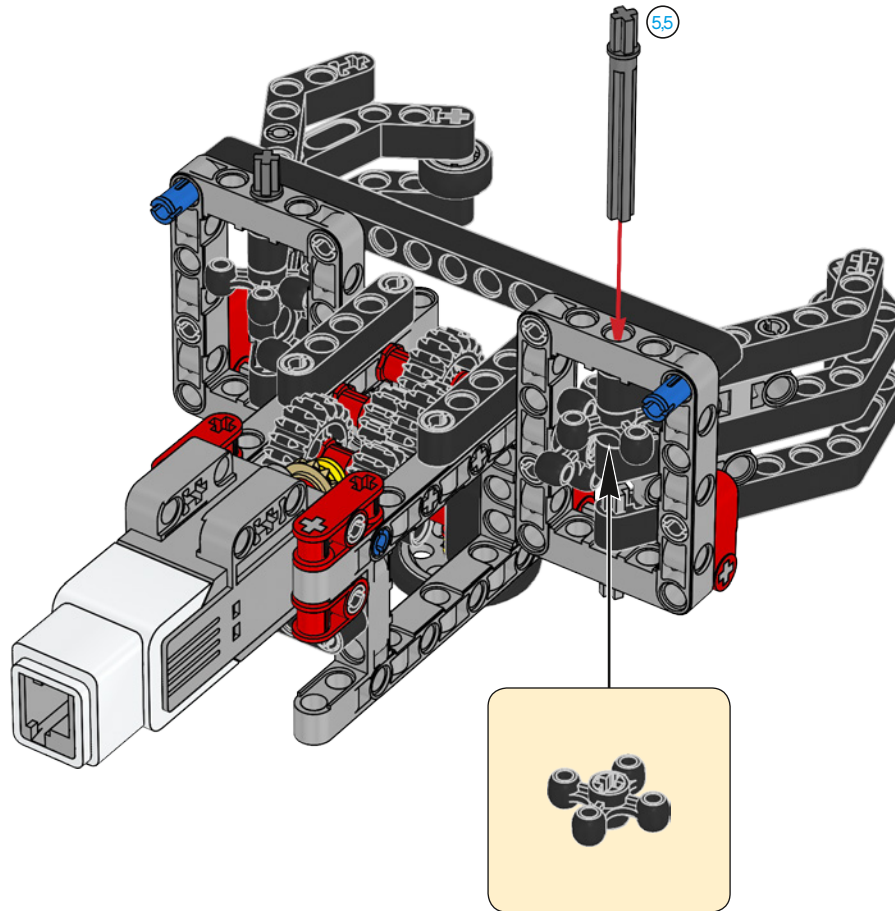


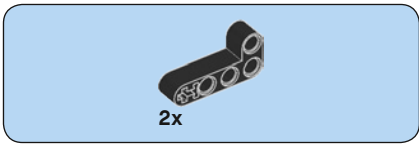
19



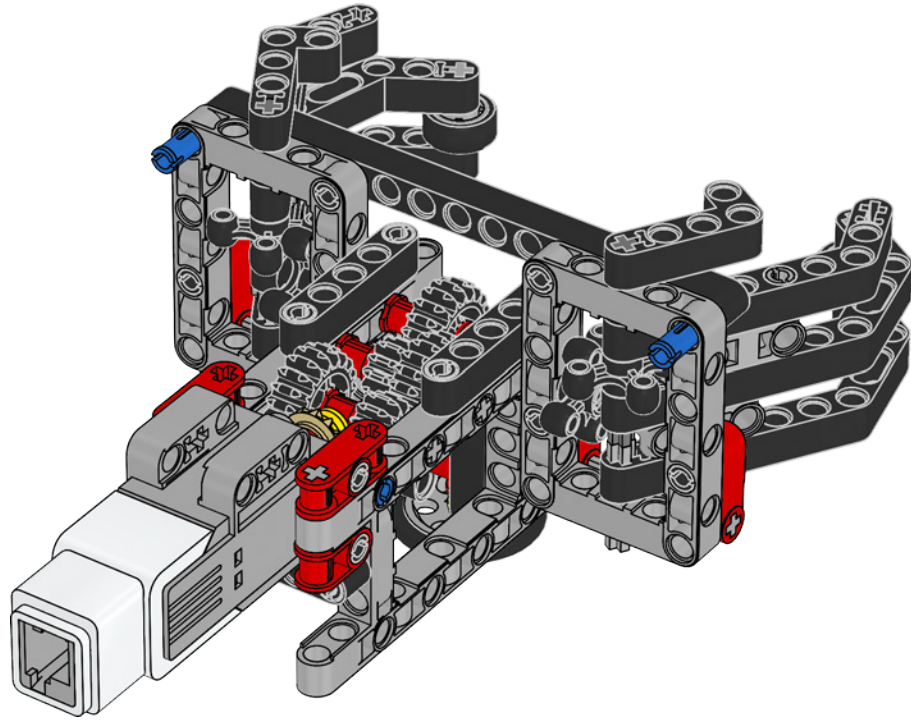


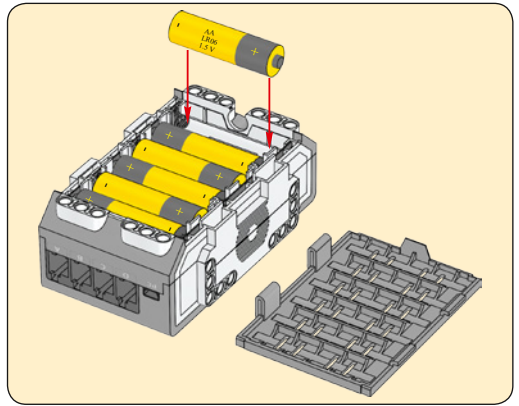
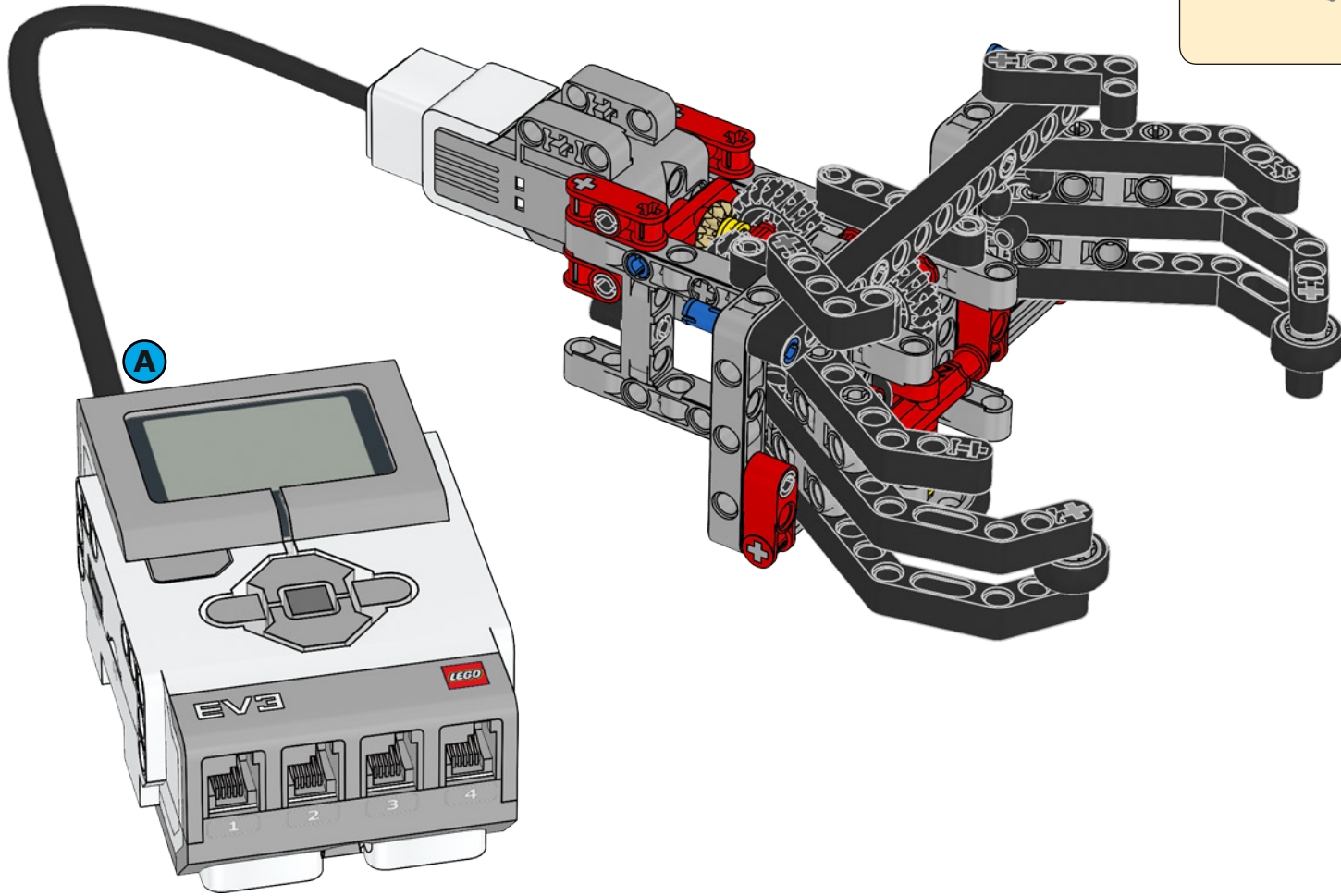
20





21





AA  
LR06  
1.5V  
x6



# MISSION 01

Download on the  
App Store

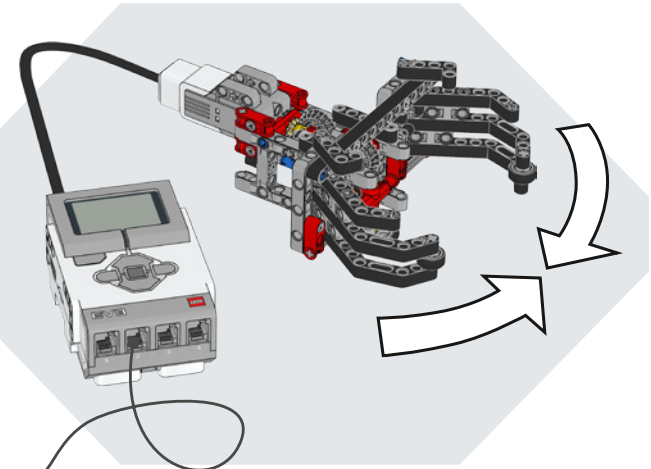
GET IT ON  
Google play



LEGO® MINDSTORMS®  
EV3 Programmer  
The LEGO Group

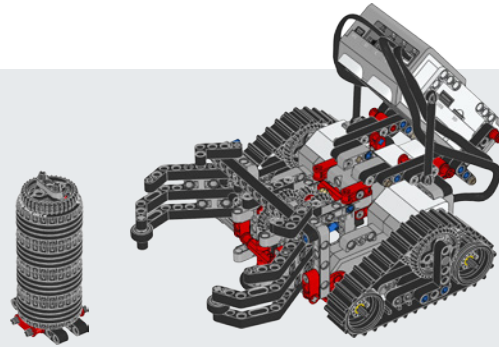


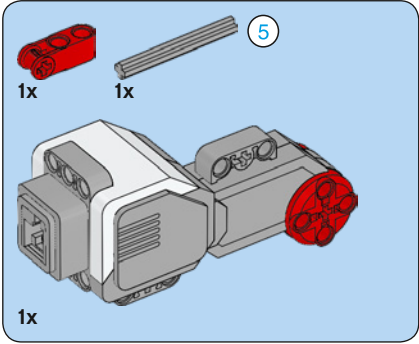
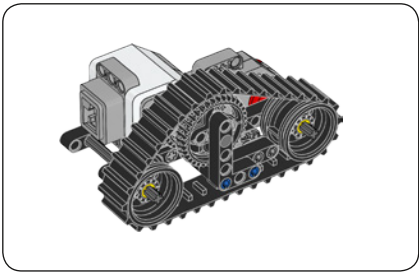
 [LEGO.com/mindstorms/software](http://LEGO.com/mindstorms/software)



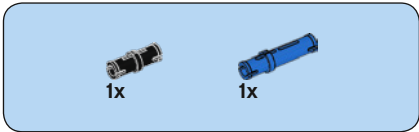
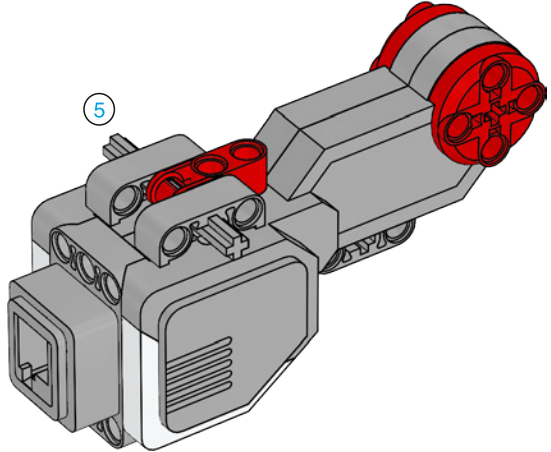


# MISSION 02

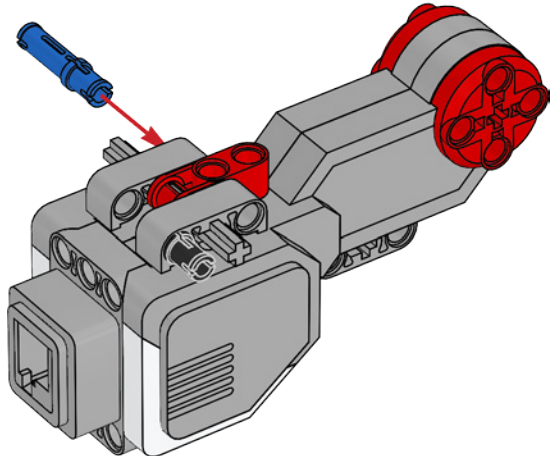


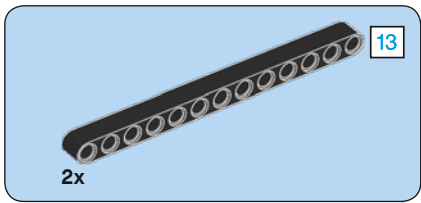


1

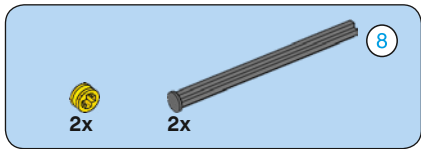
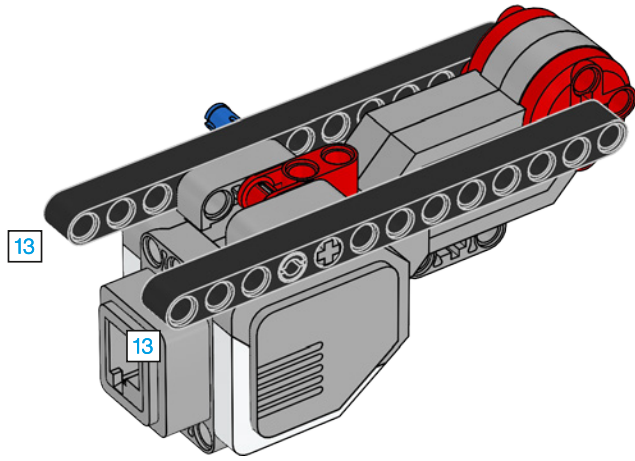


2

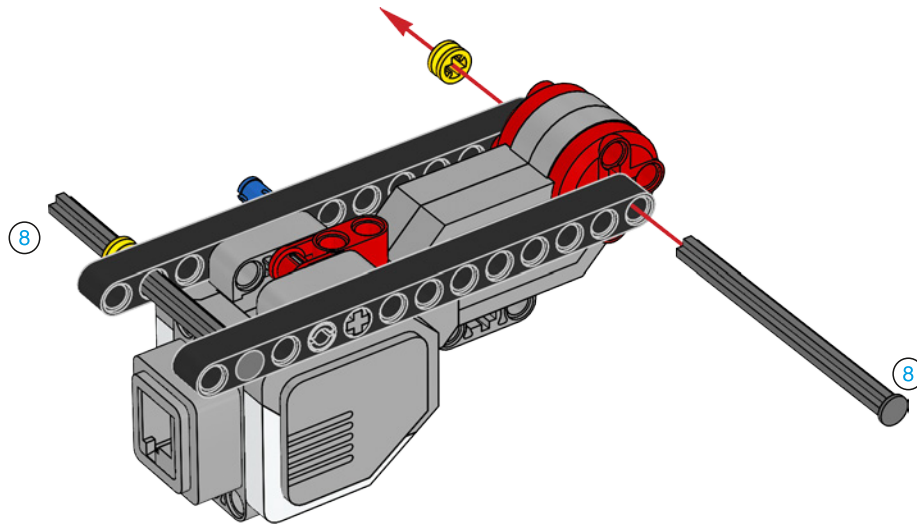


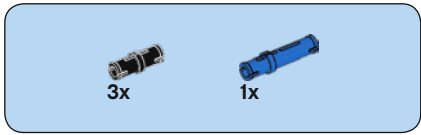


3

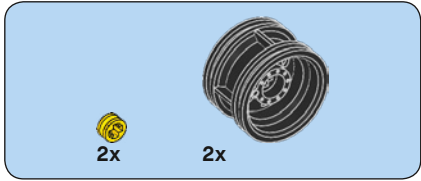
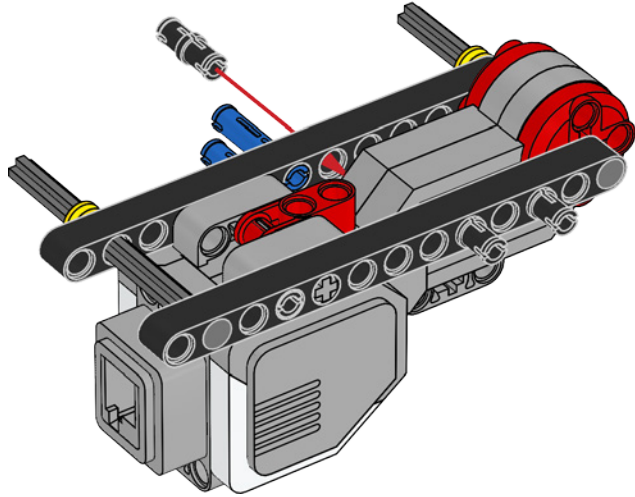


4

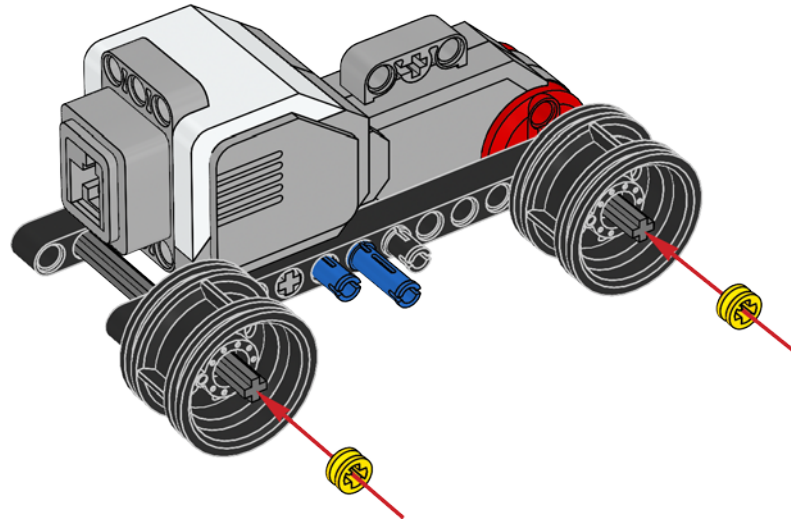


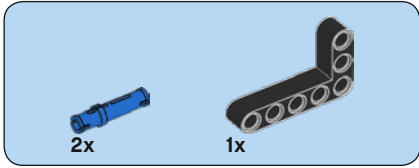
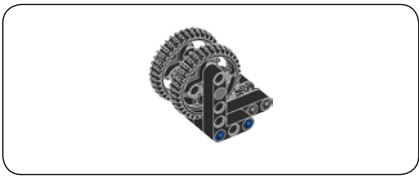


5

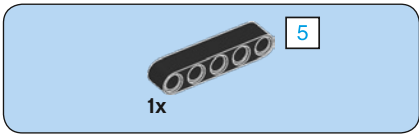
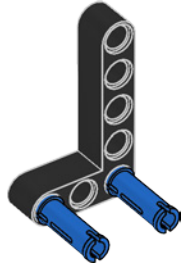


6

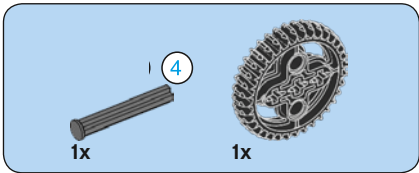
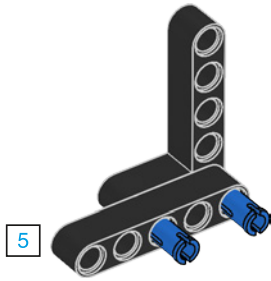




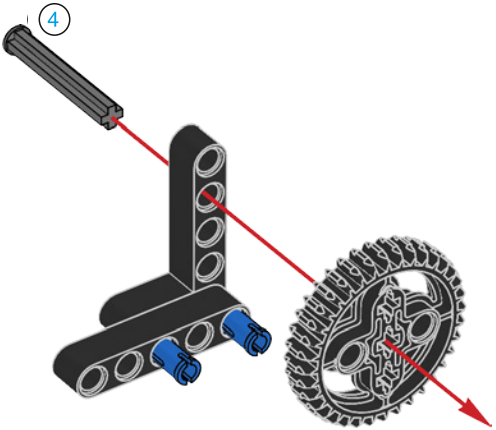
1

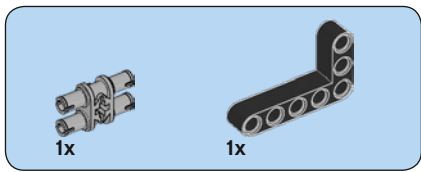


2

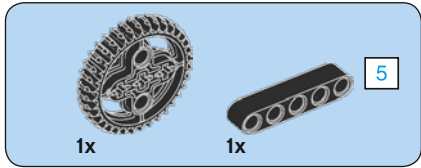
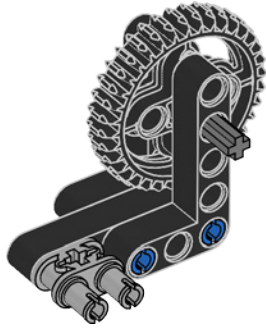


3





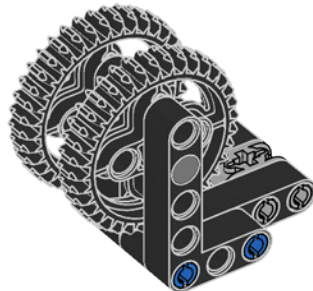
4



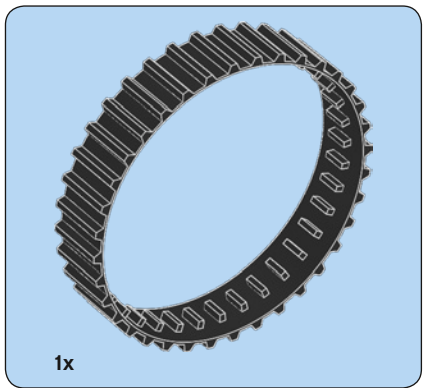
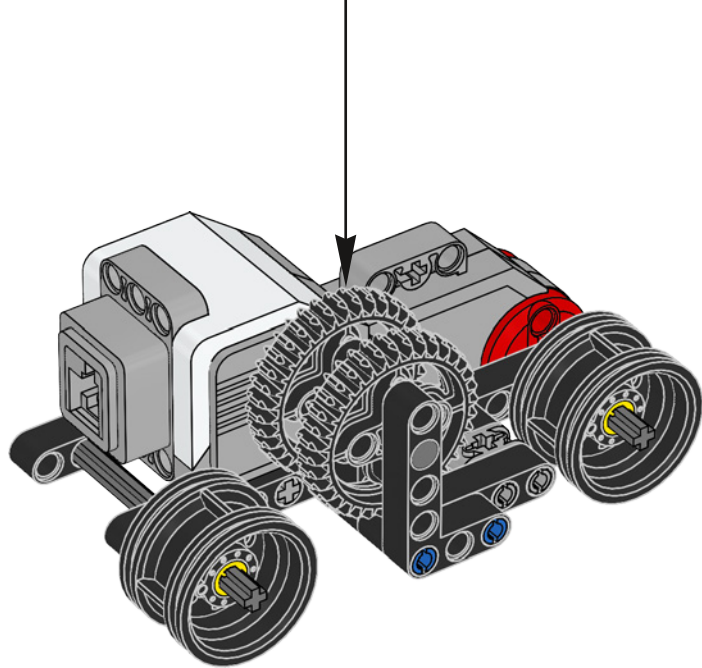
5



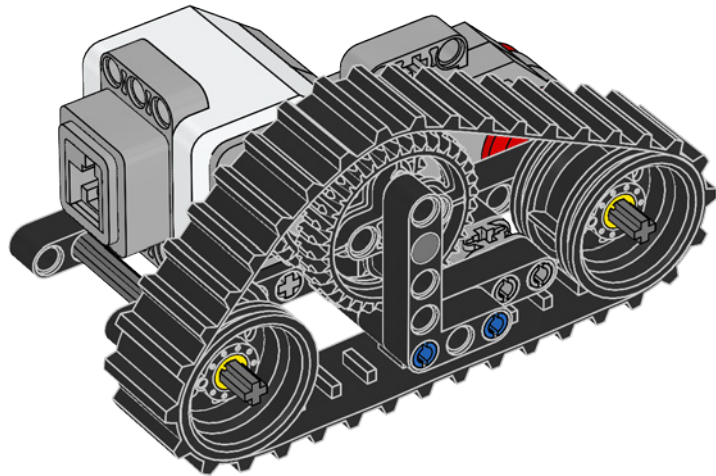
6



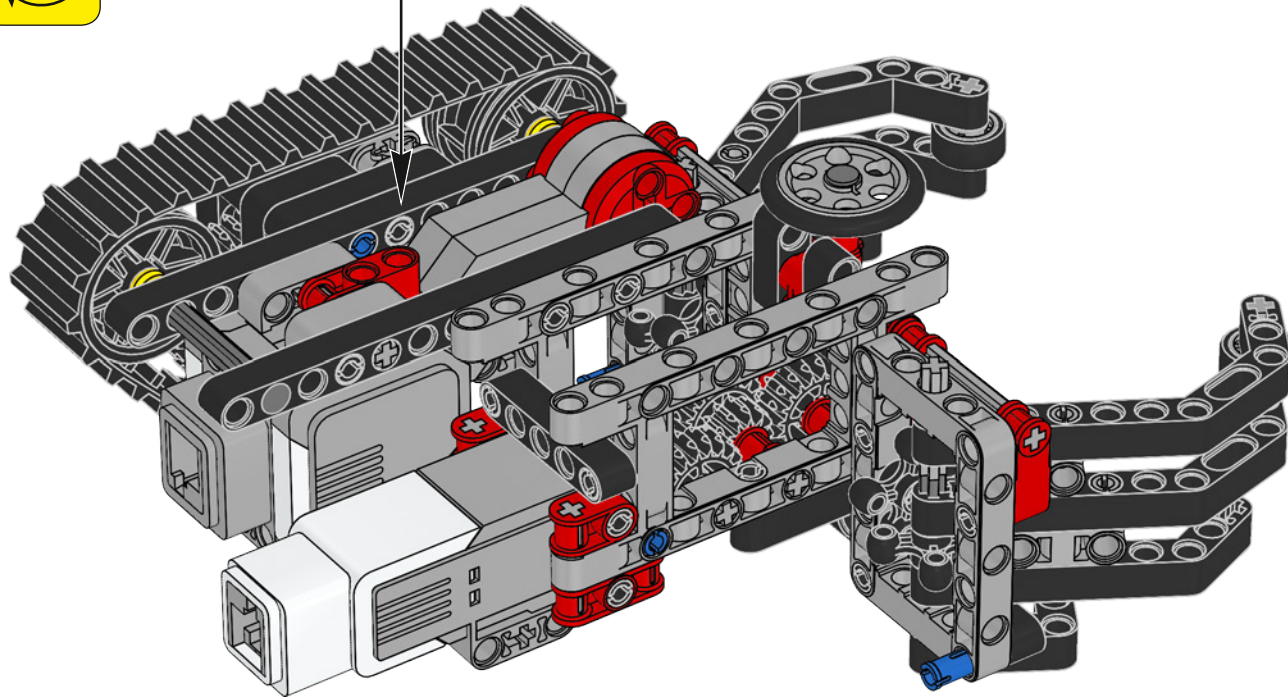
7



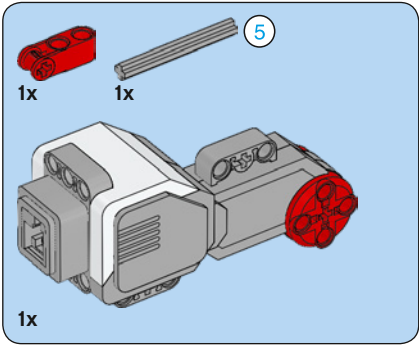
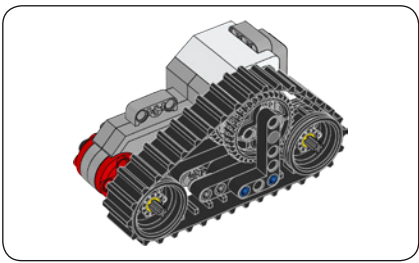
8



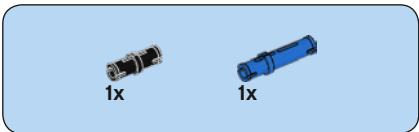
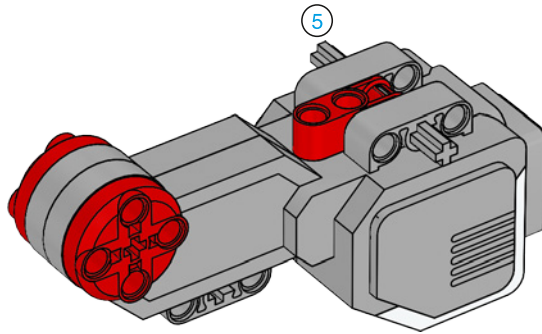
22



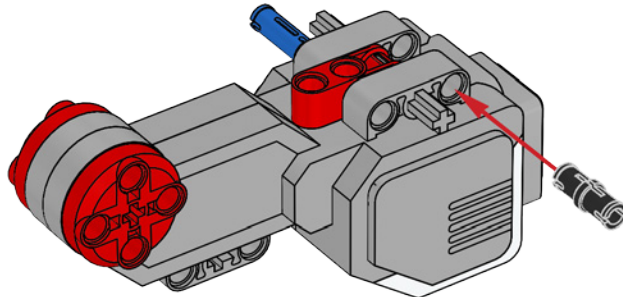


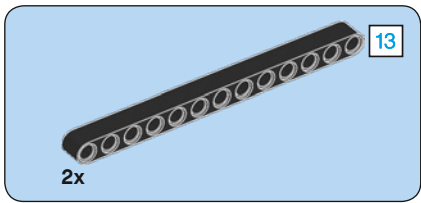


1

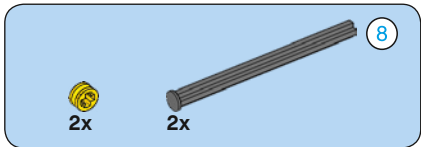
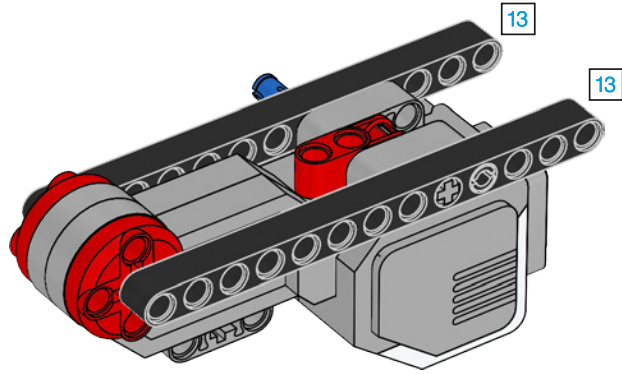


2

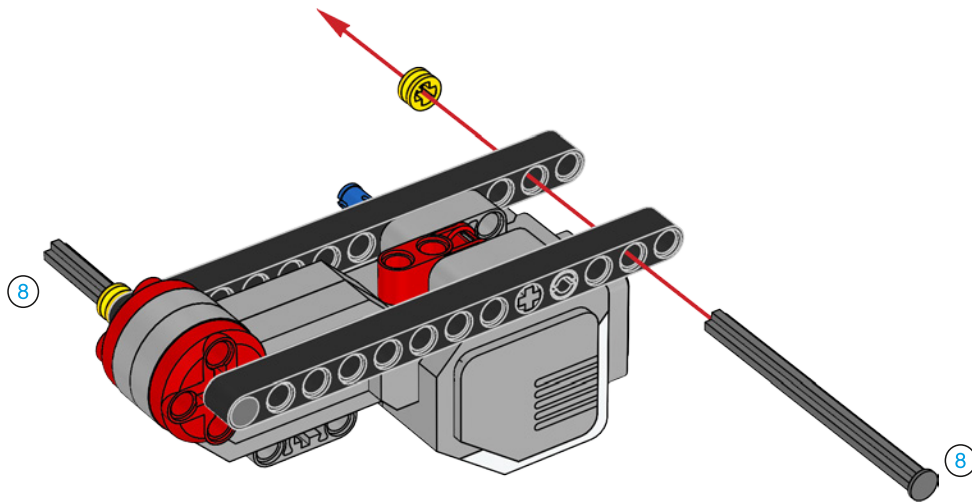


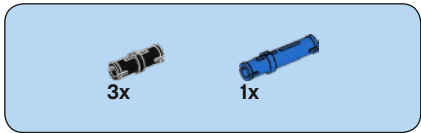


3

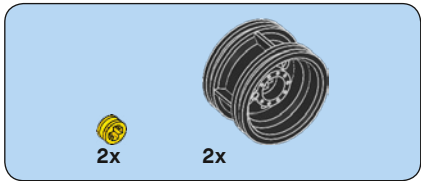
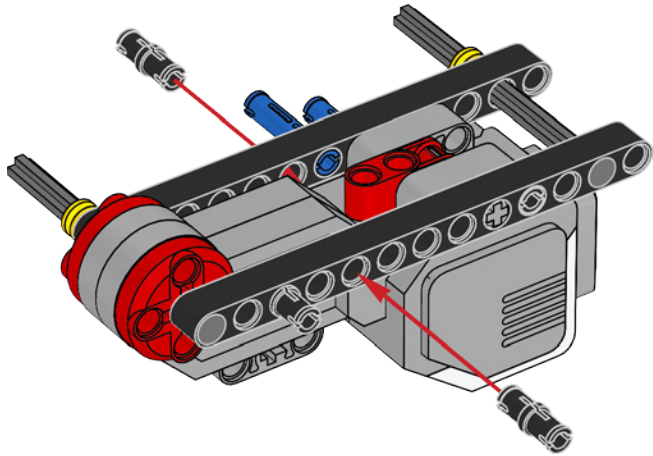


4

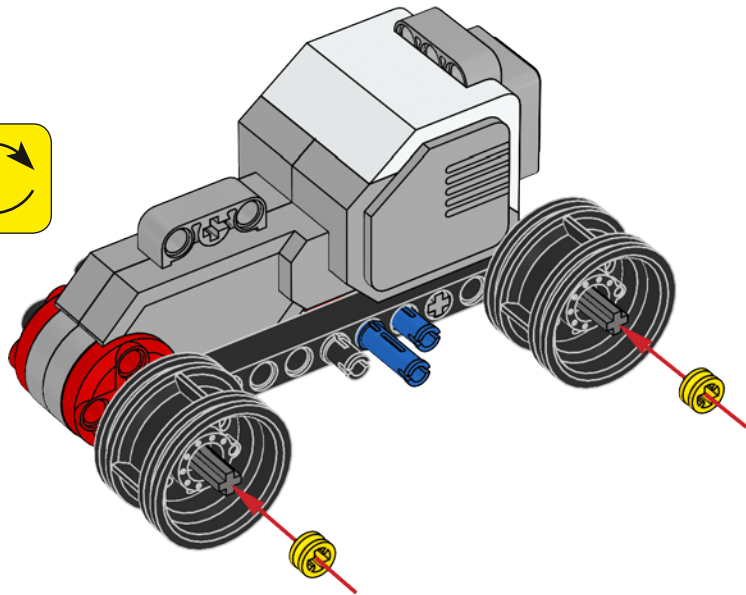


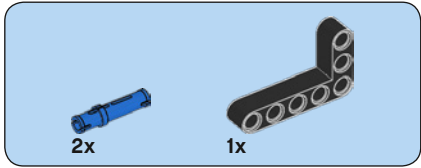
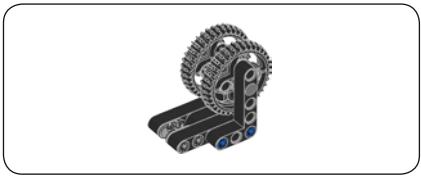


5

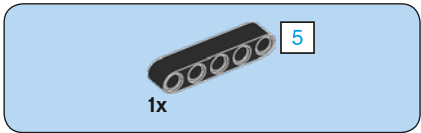
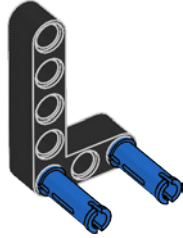


6

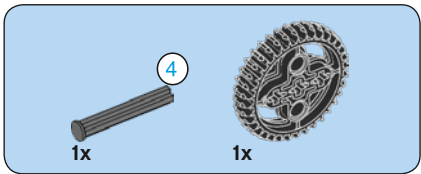
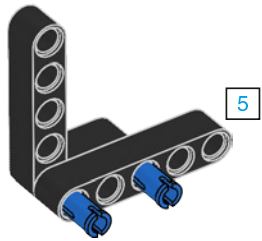




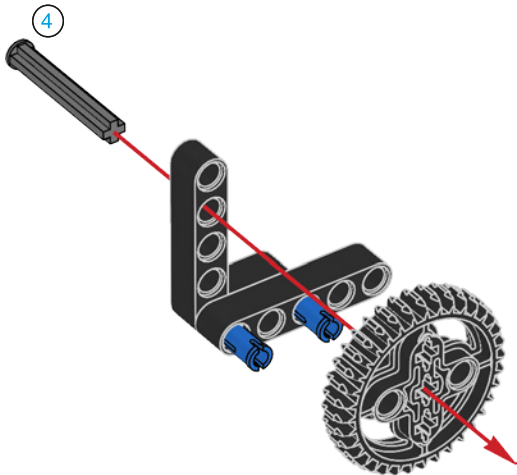
1

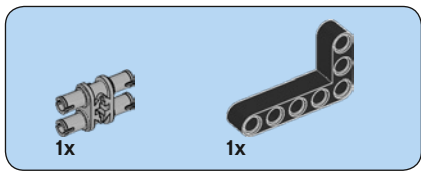


2

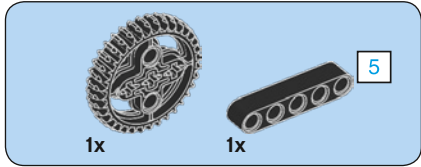
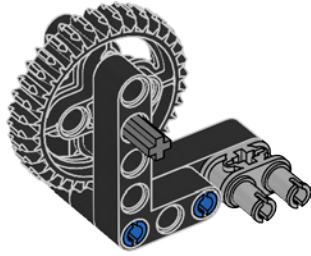


3





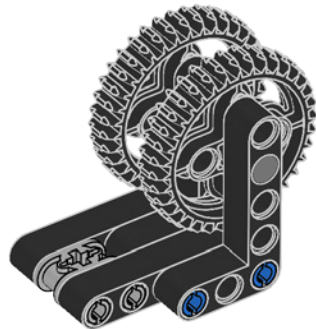
4



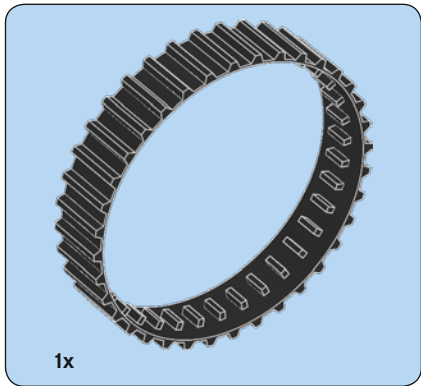
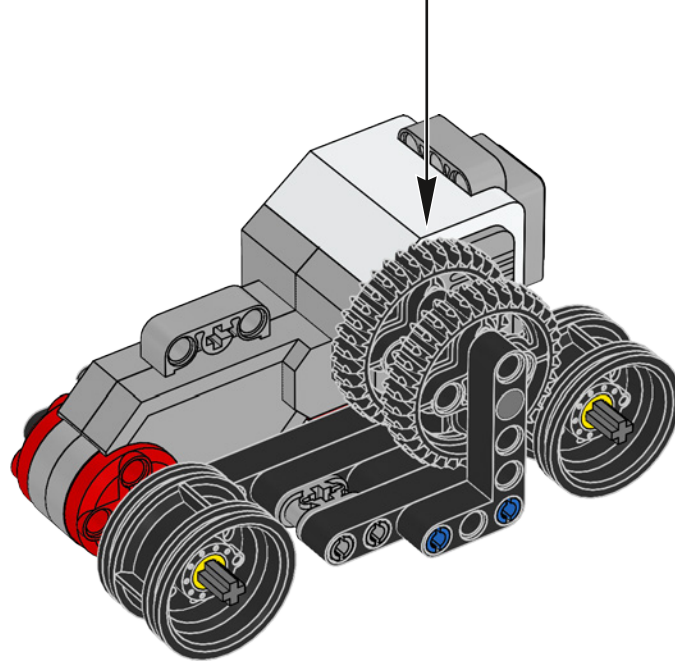
5



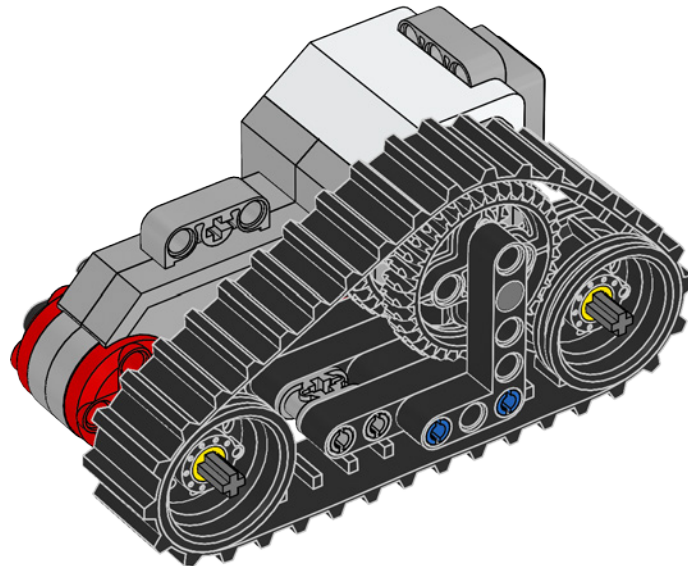
6



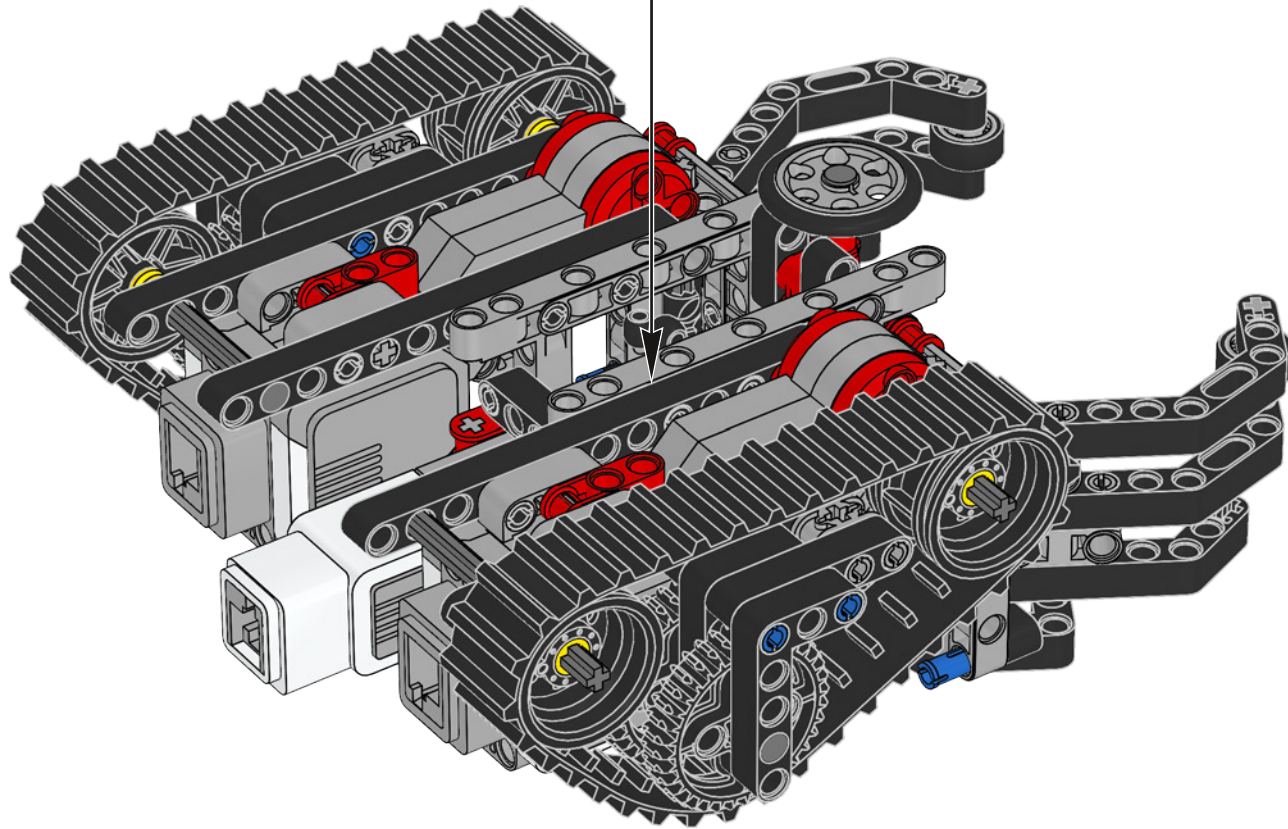
7

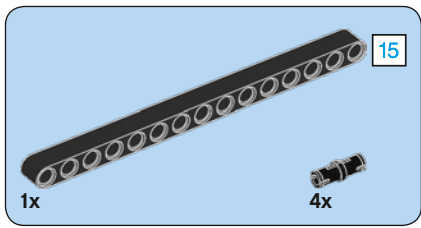


8

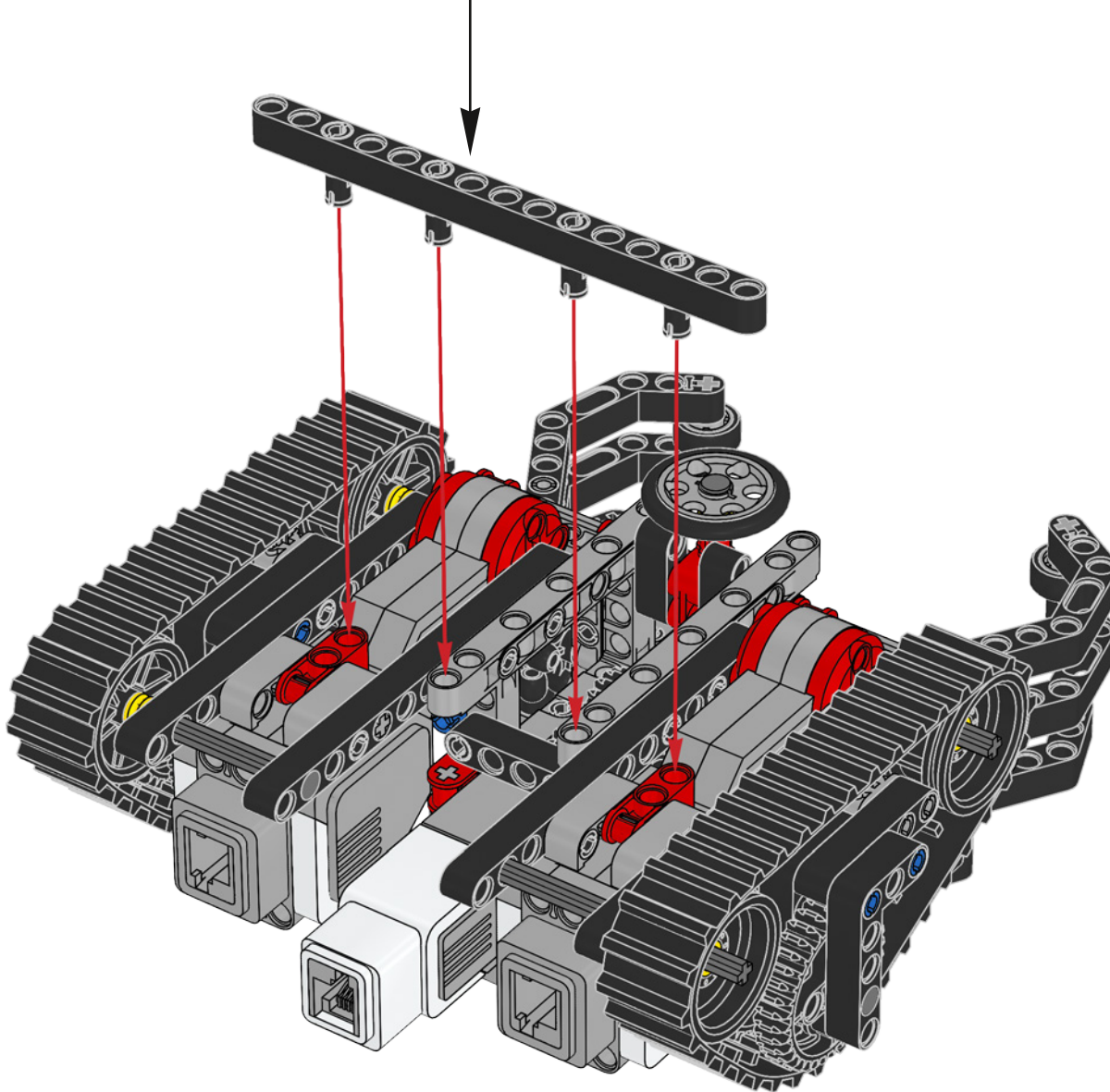
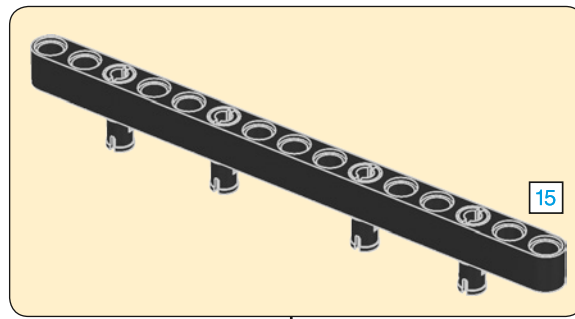


23

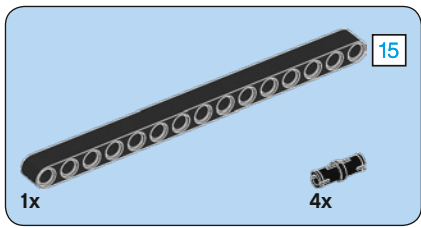




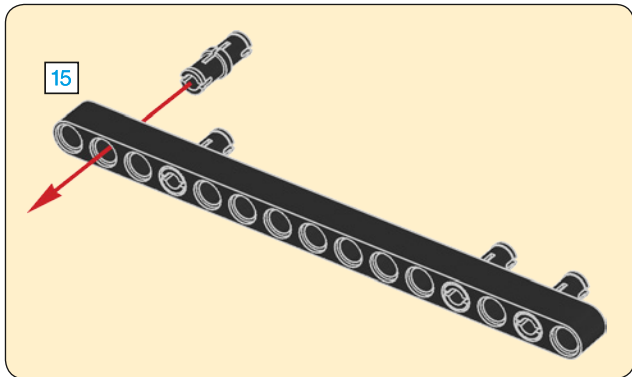
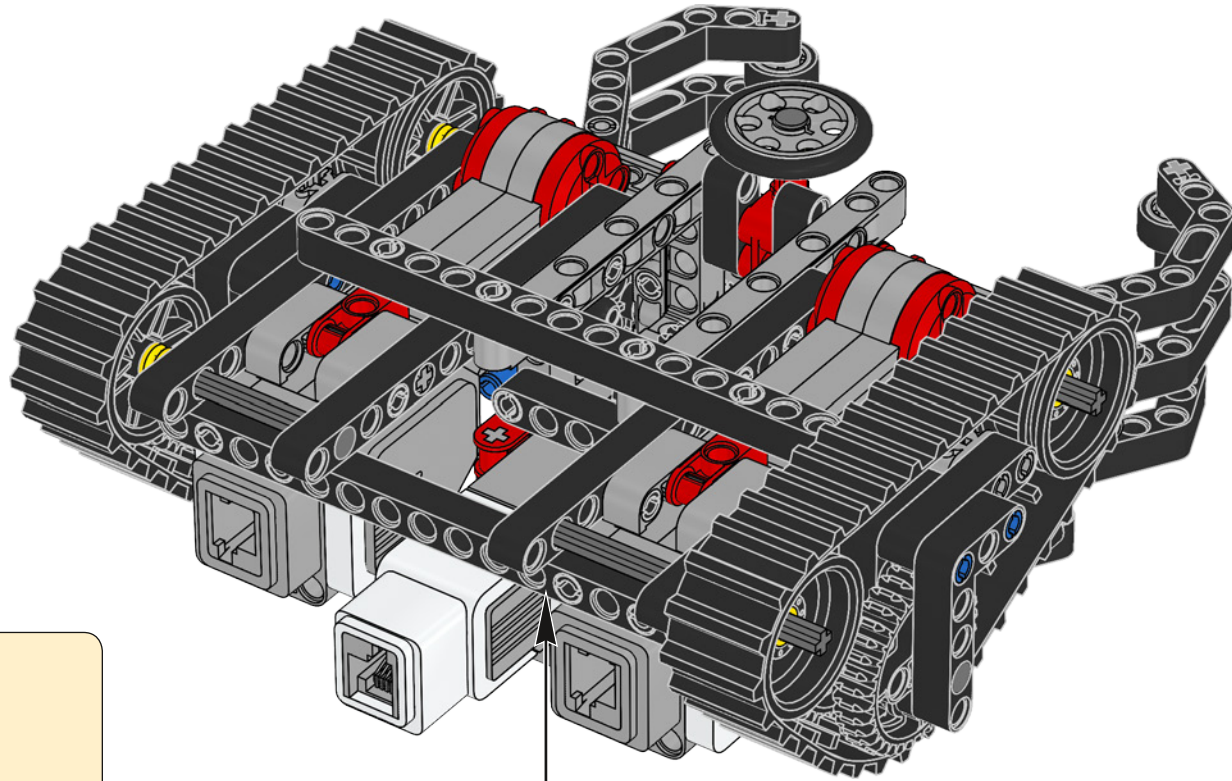
24

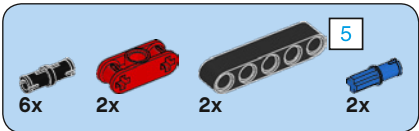




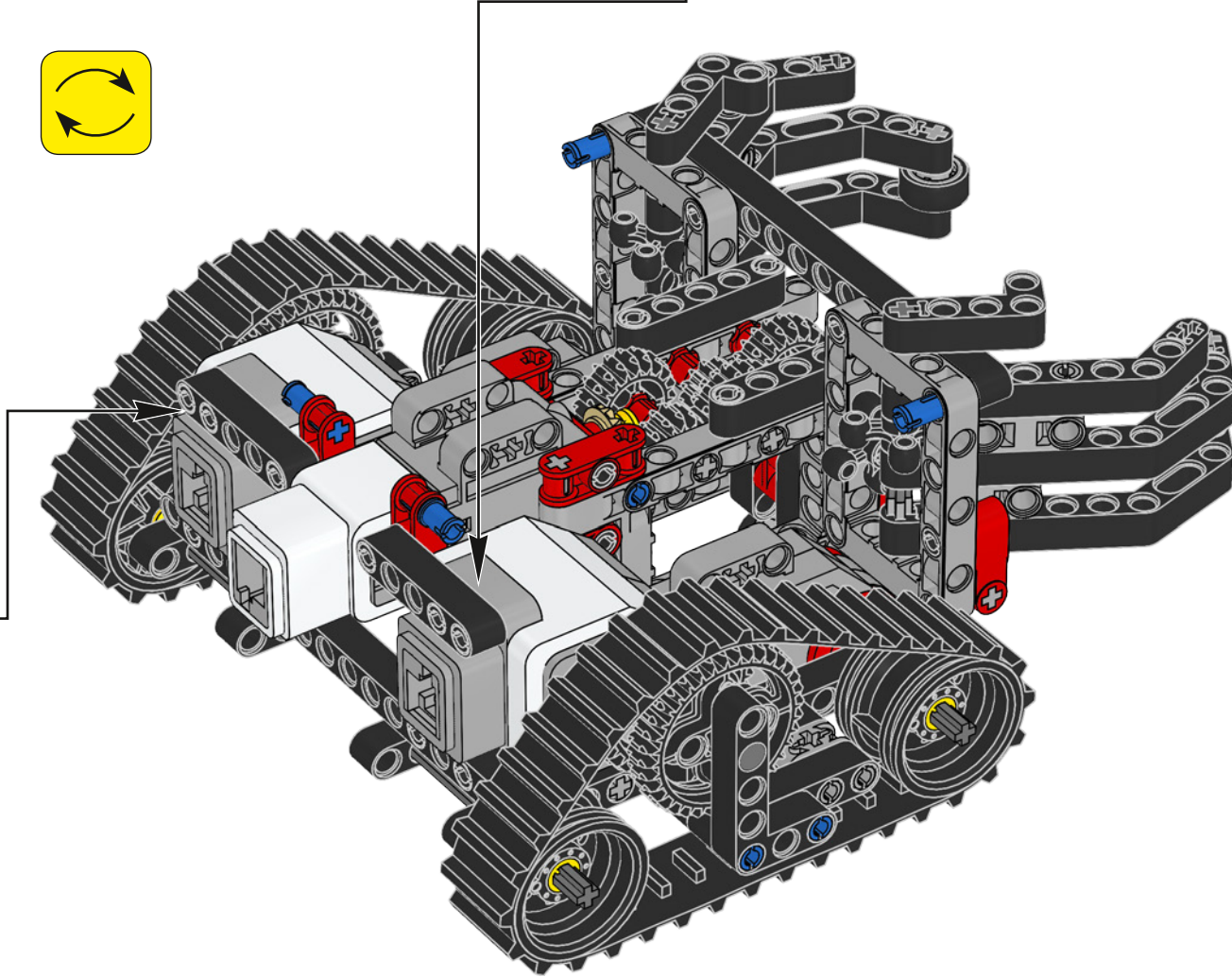
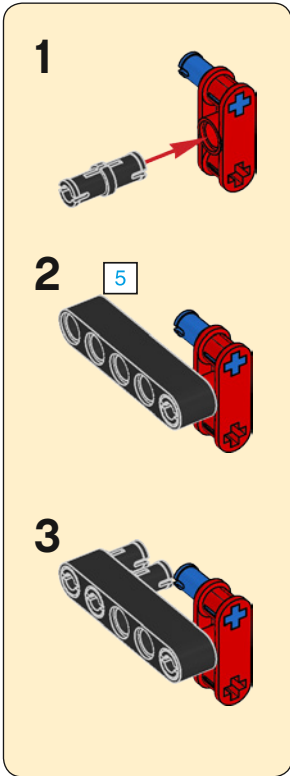
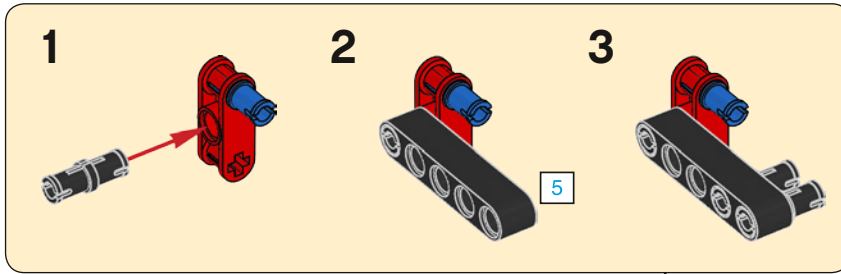


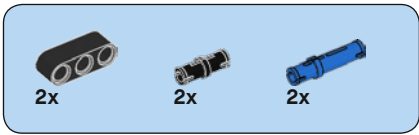
25



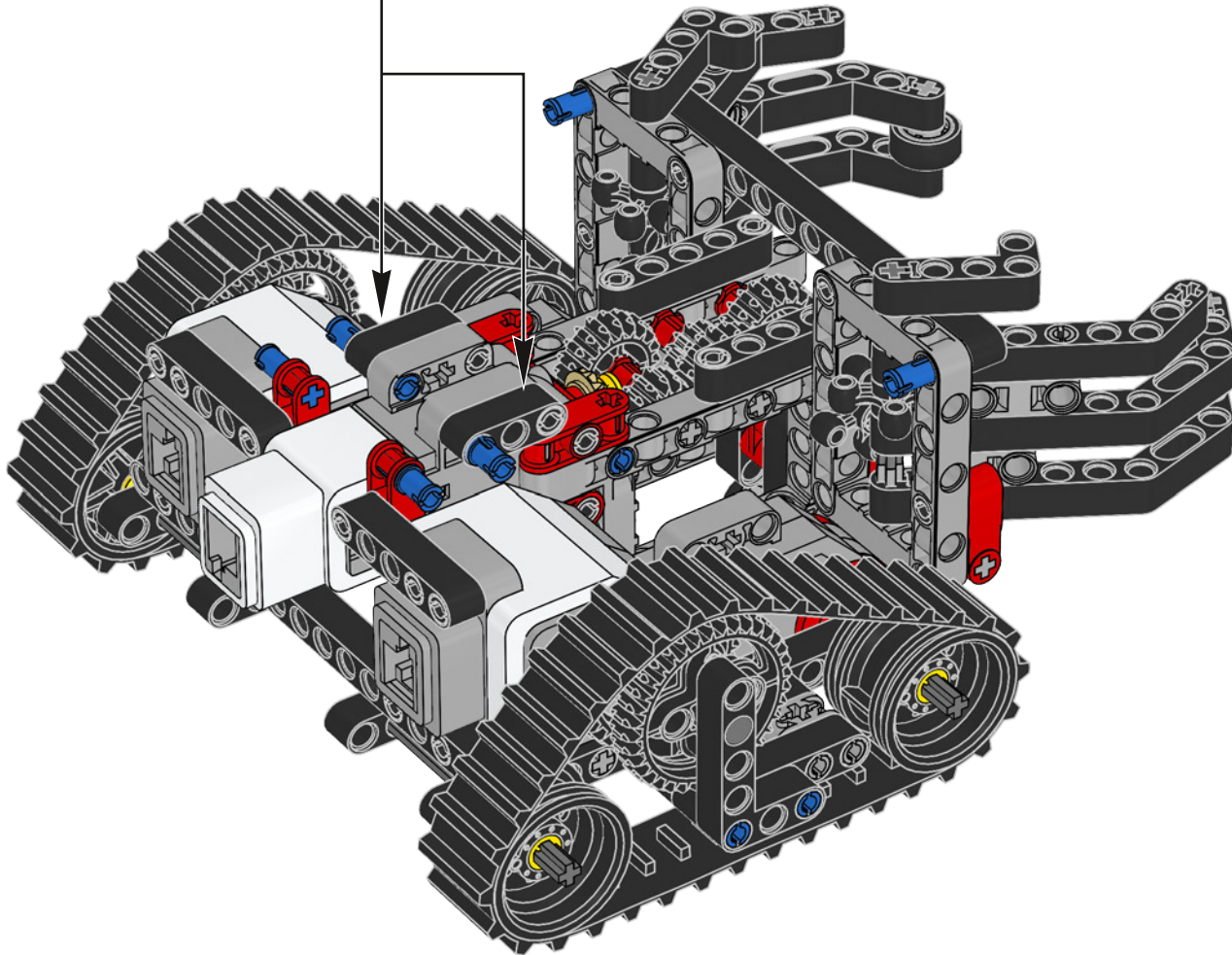
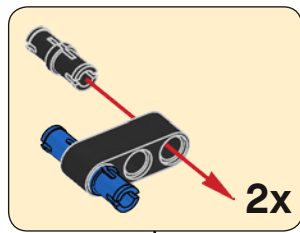


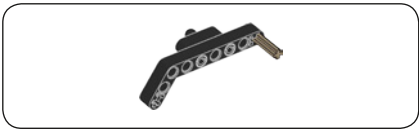
# 26



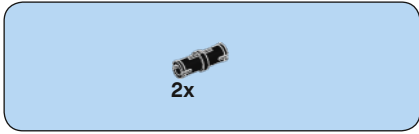
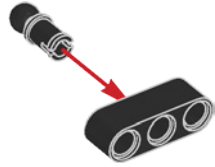


27

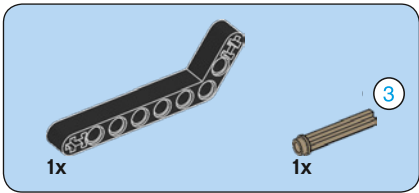




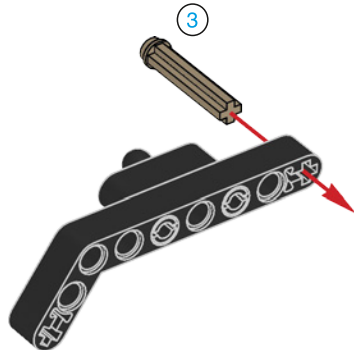
1



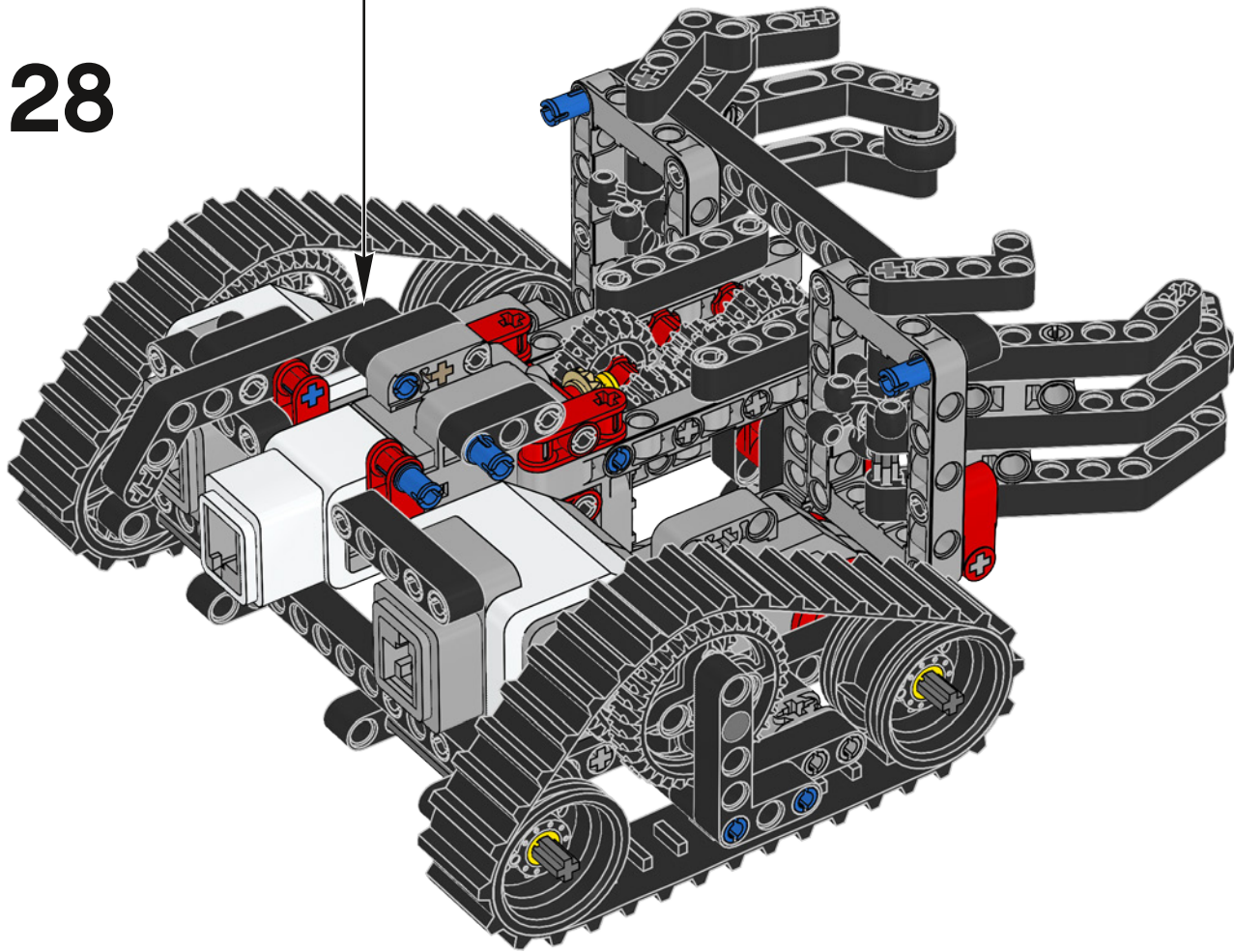
2

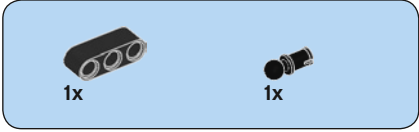
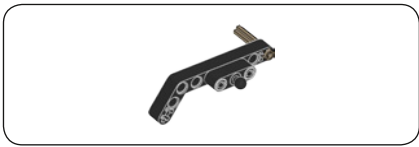


3

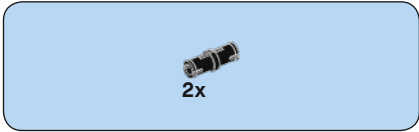
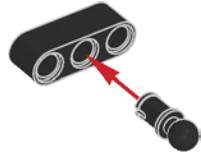


28

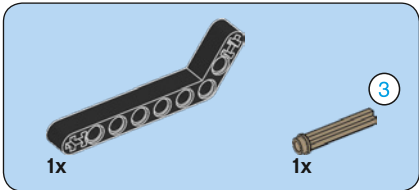




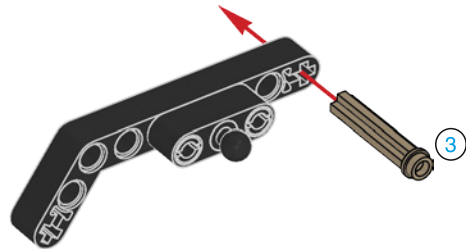
3



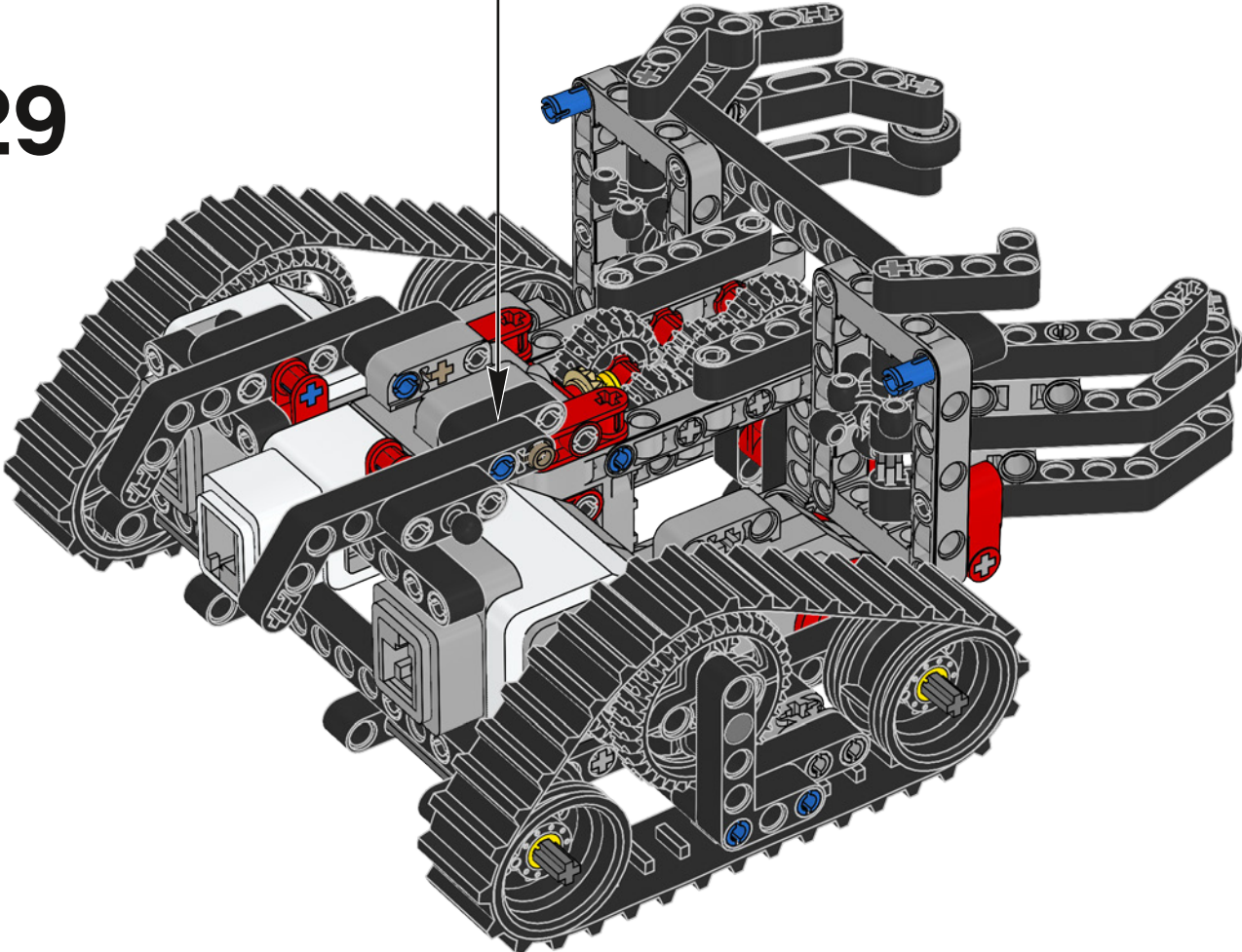
2

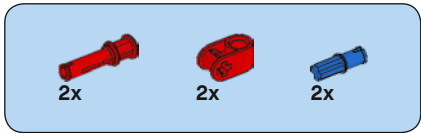


1

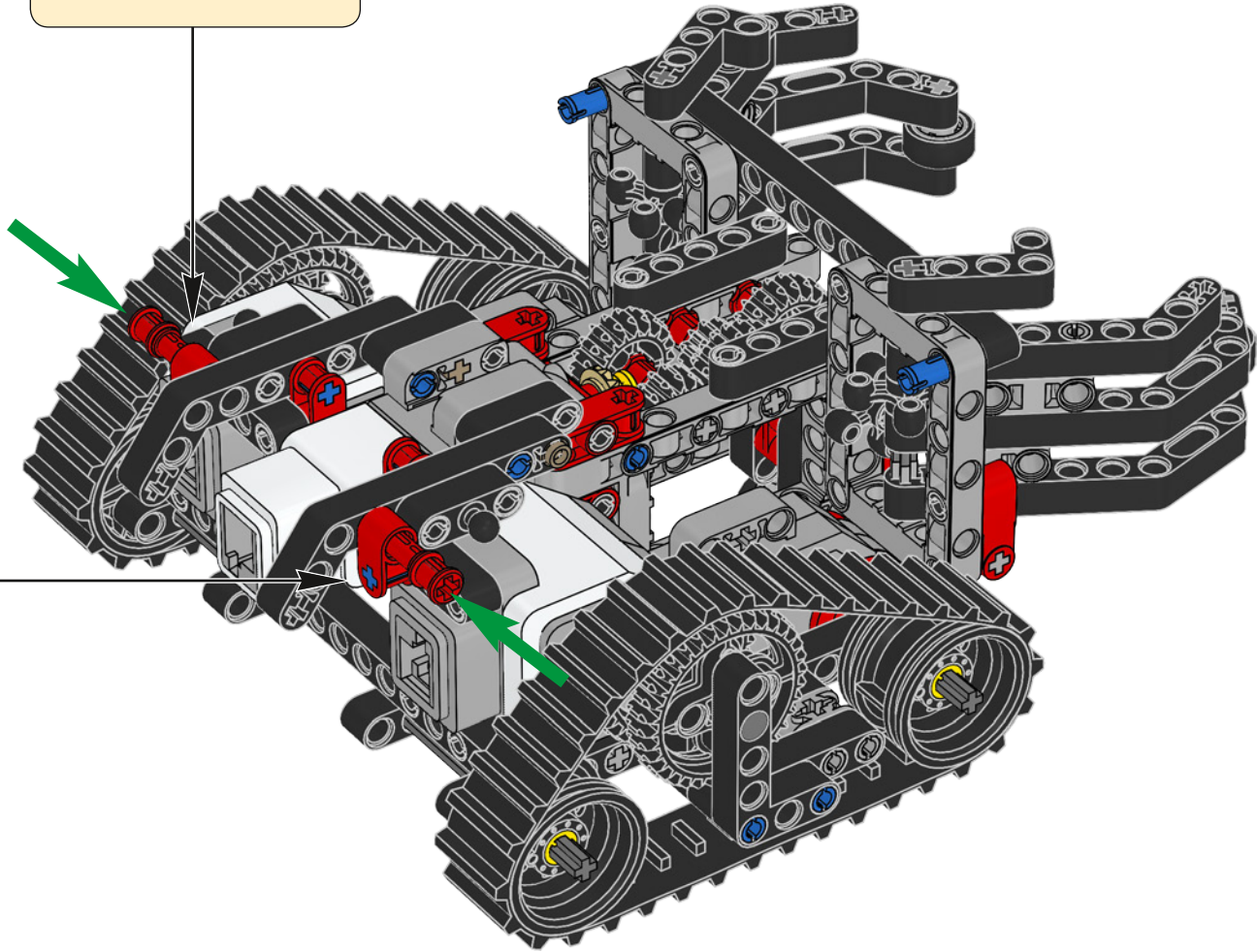
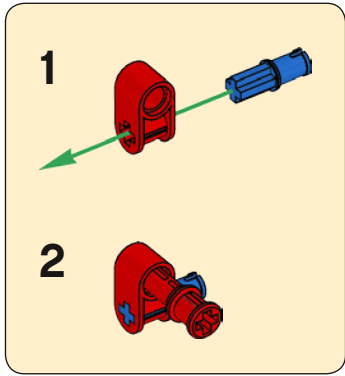
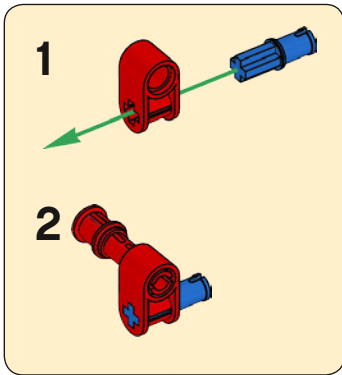


29

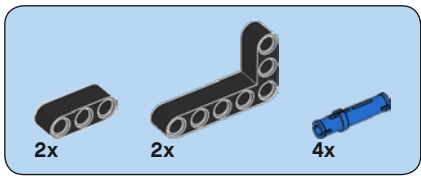




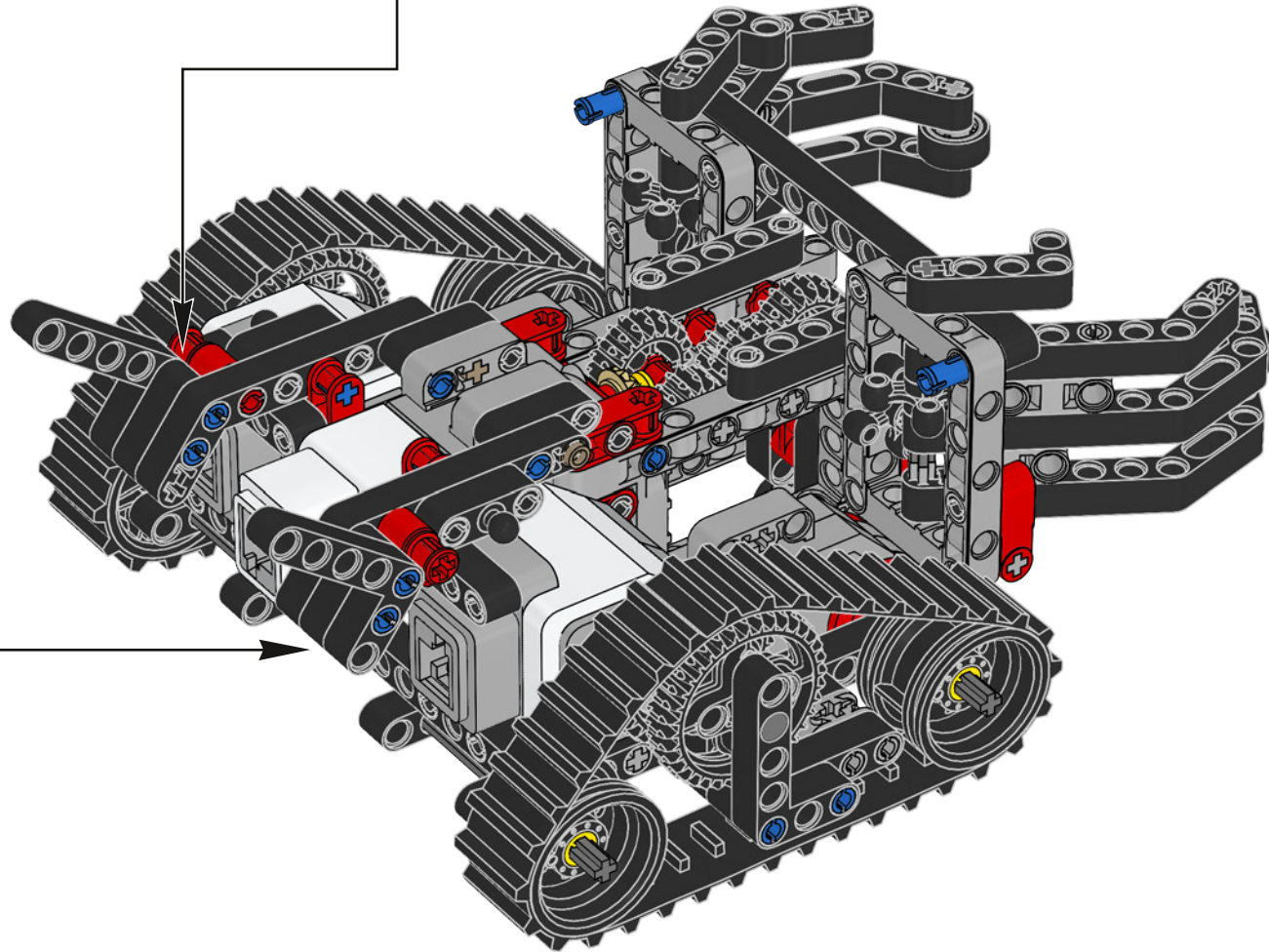
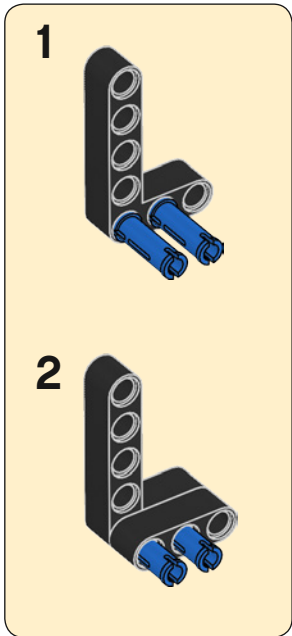
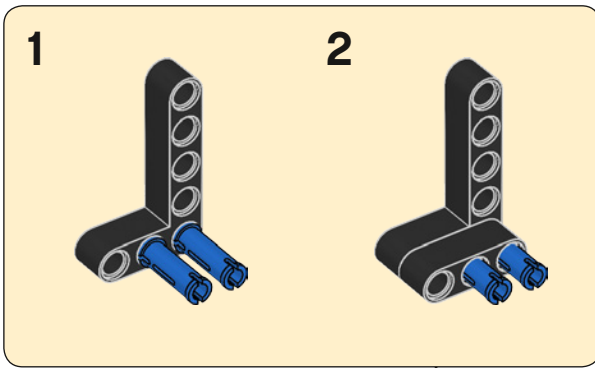
# 30

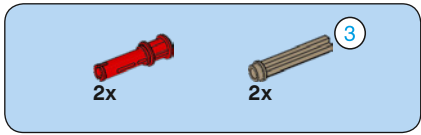




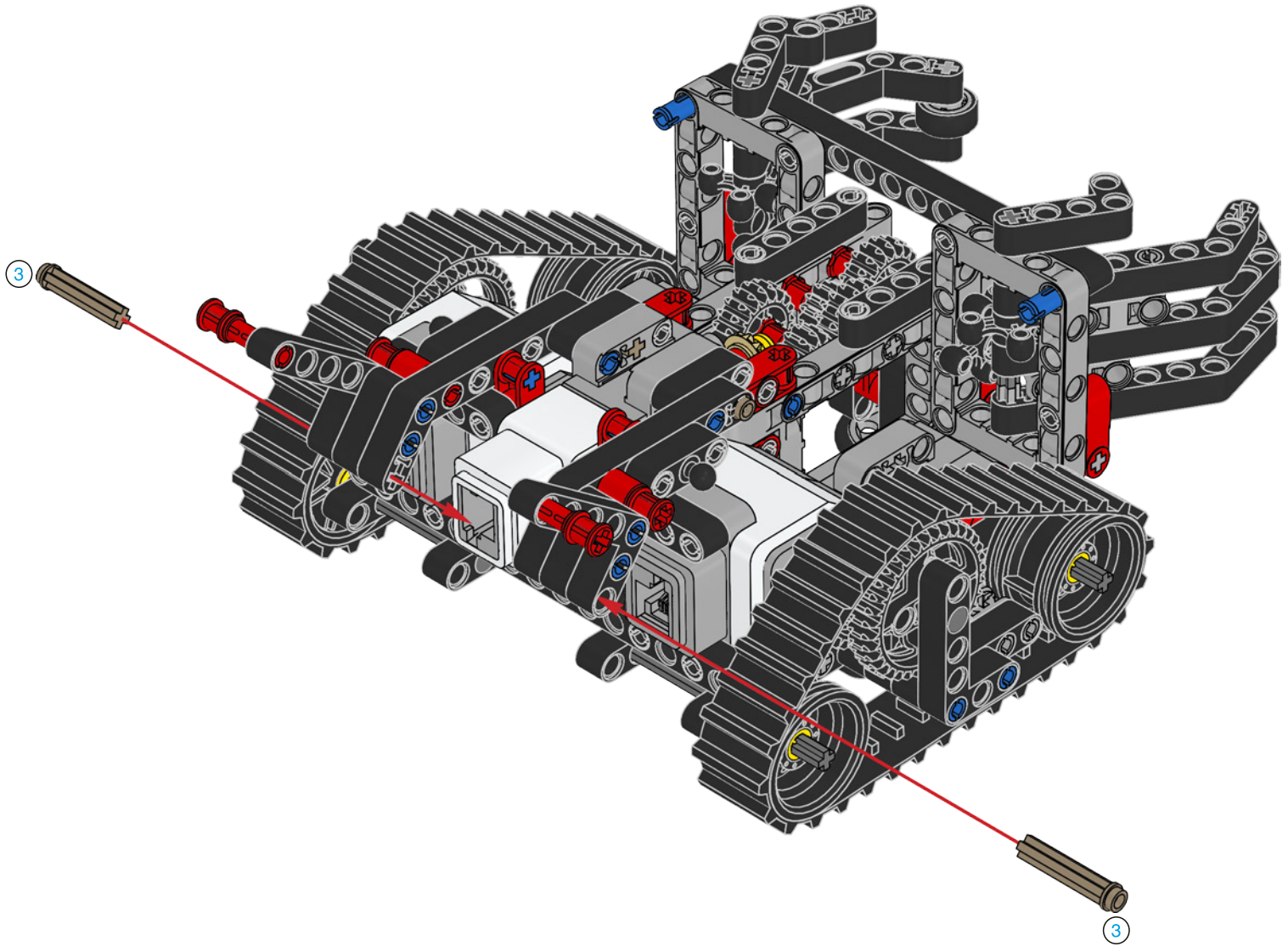


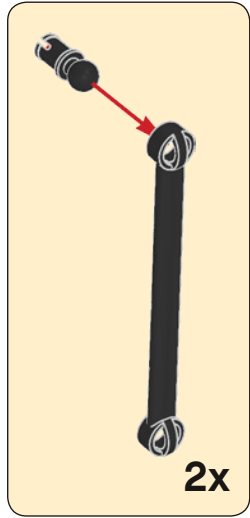
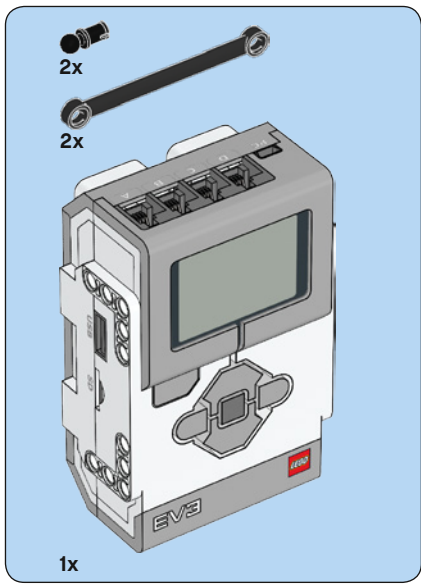
# 31



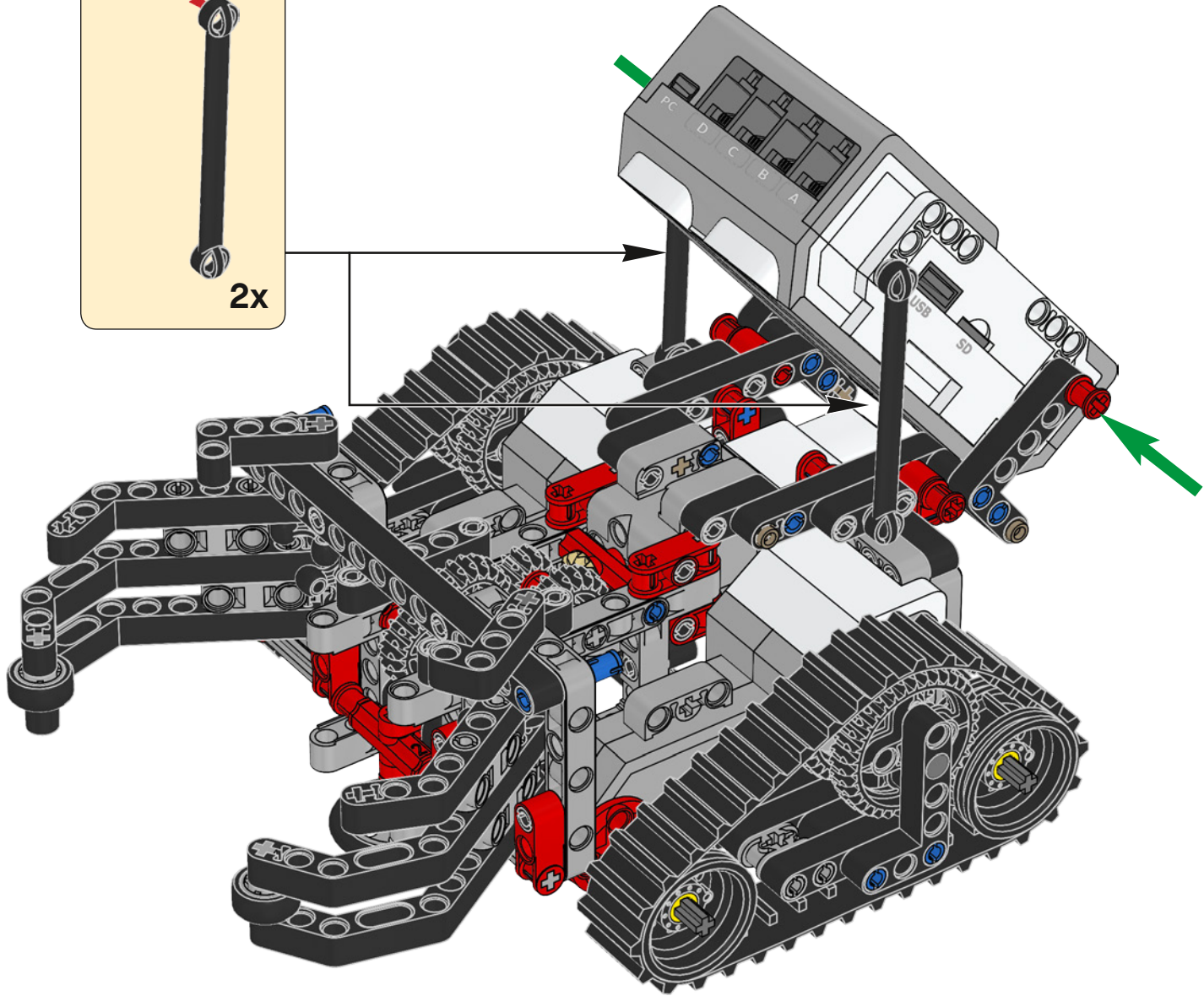


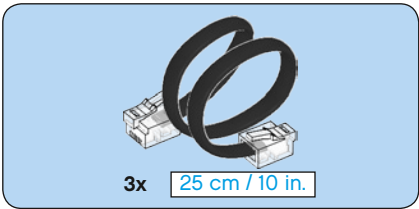
# 32



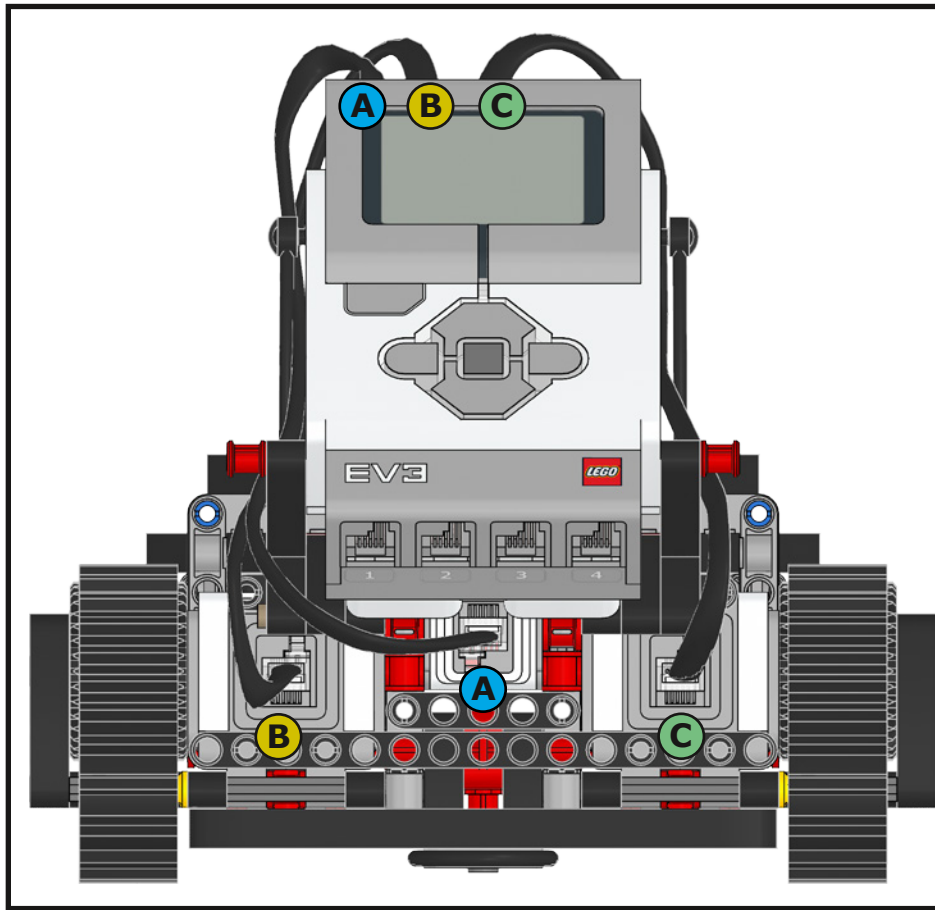
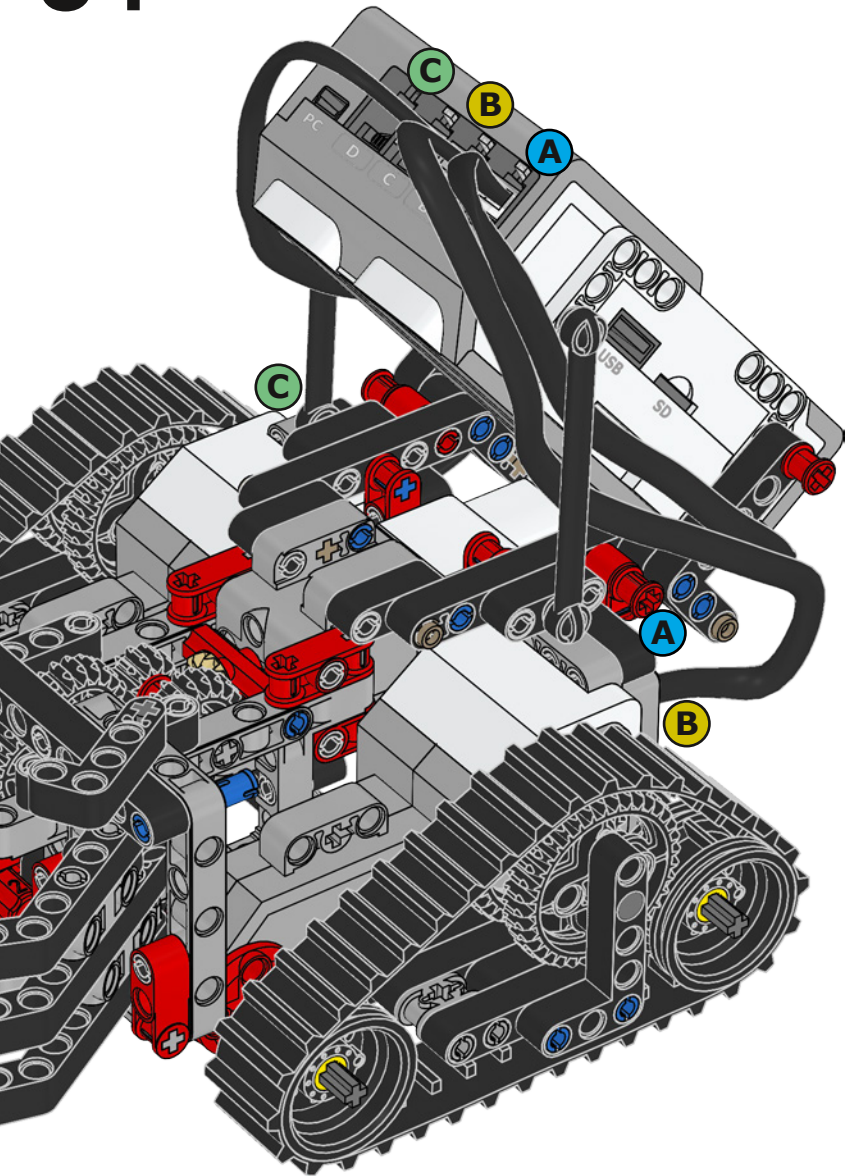


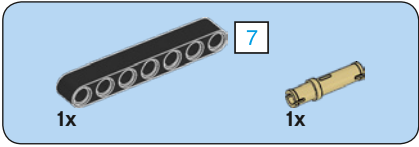
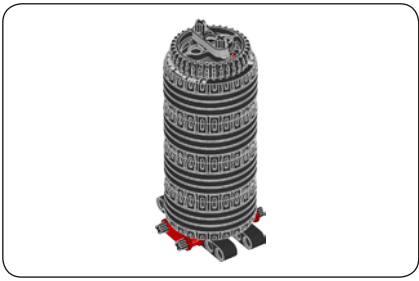
33



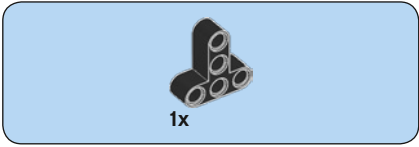
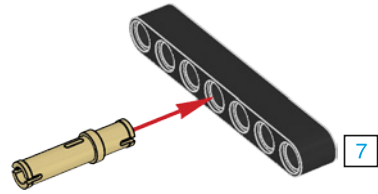


34

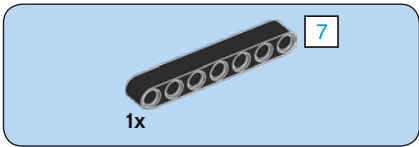
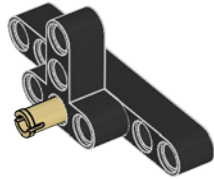




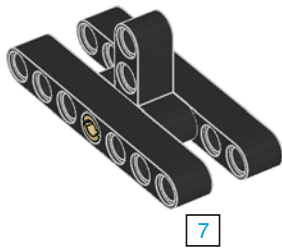
1

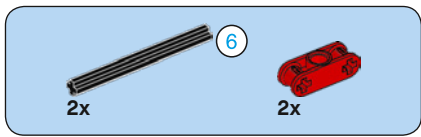


2

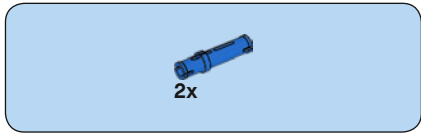
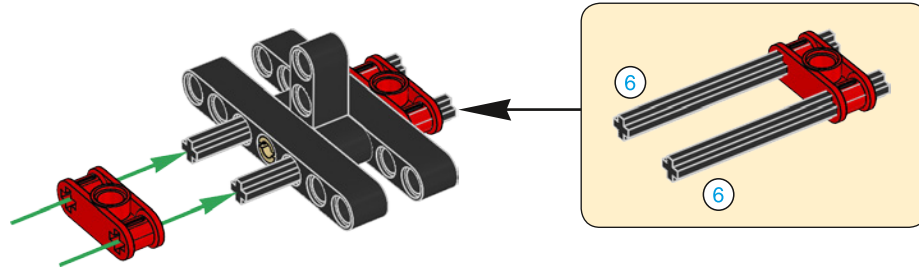


3

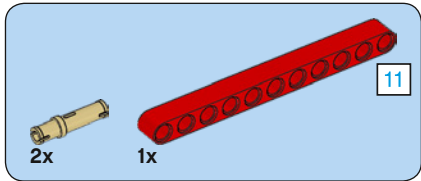
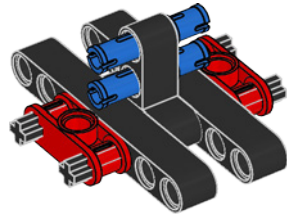




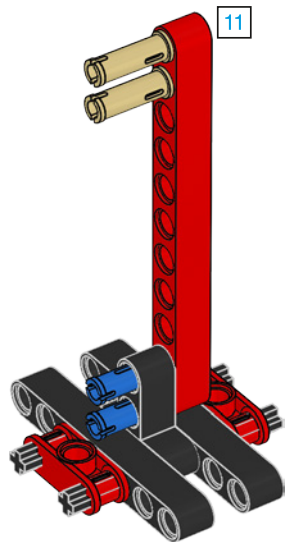
4

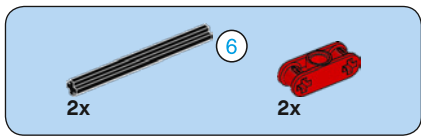


5

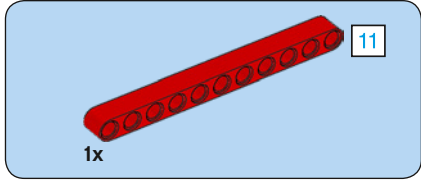
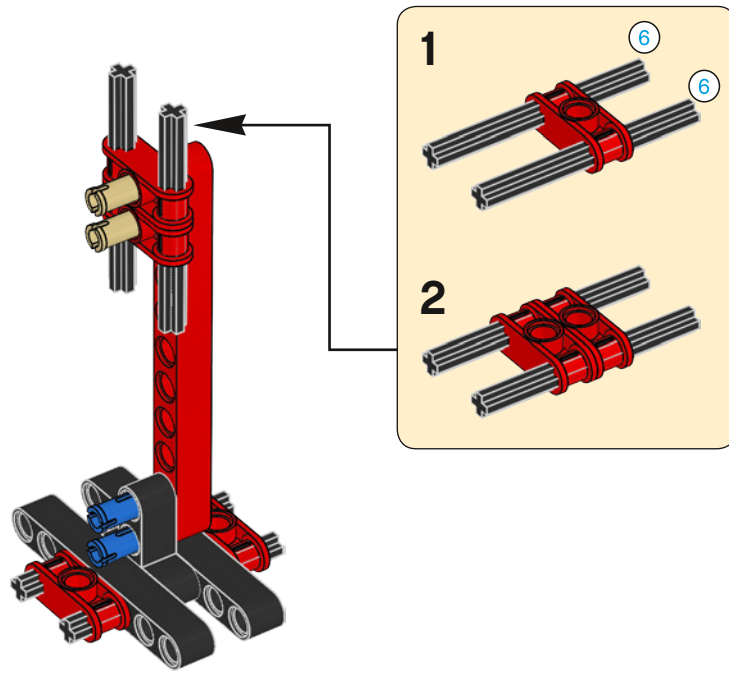


6

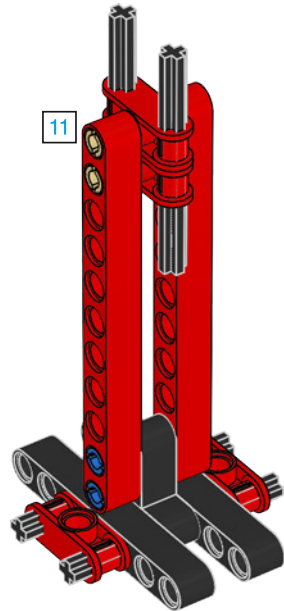


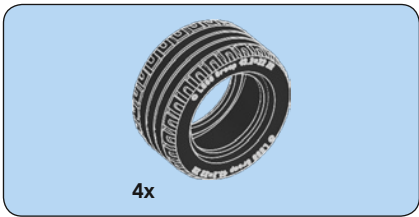


7

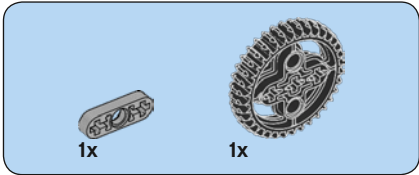


8





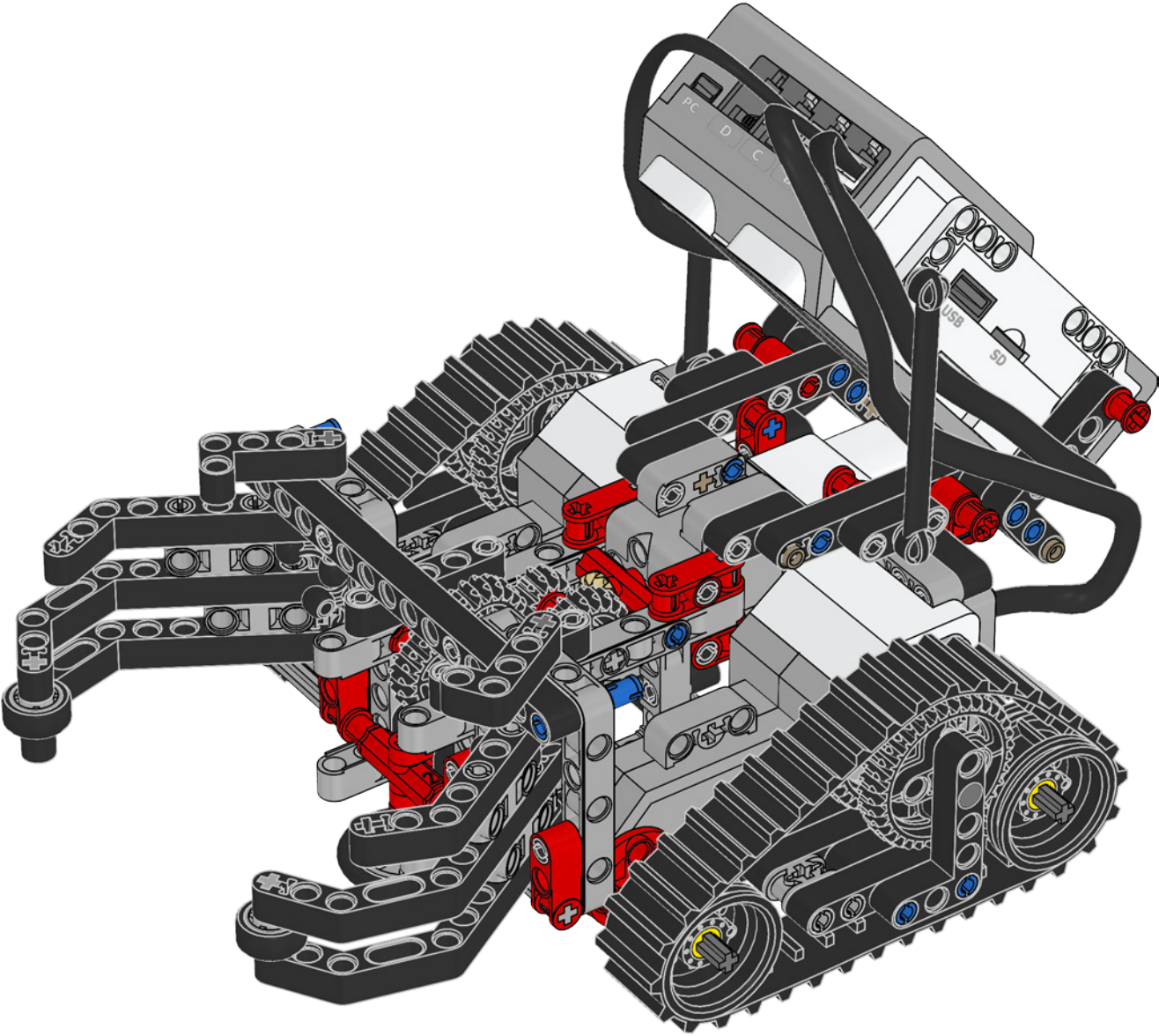
9




10

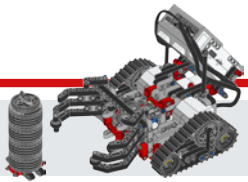




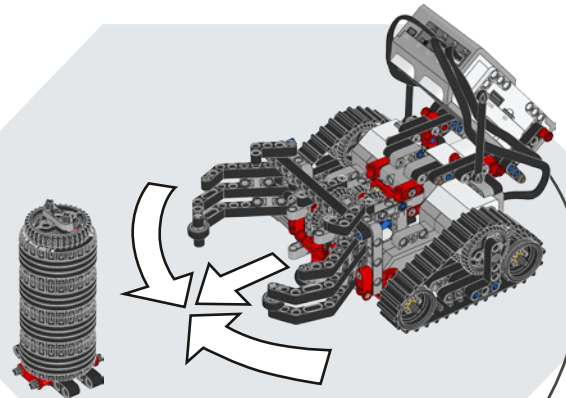


Download on the App Store  
GET IT ON Google play

 **LEGO® MINDSTORMS®**  
EV3 Programmer  
The LEGO Group



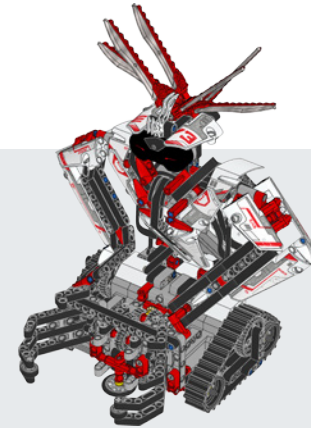
## MISSION 02

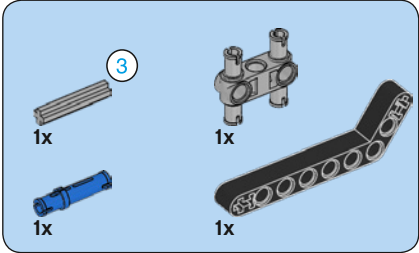
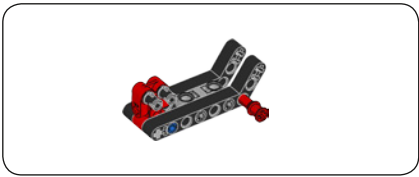


 [LEGO.com/mindstorms/software](http://LEGO.com/mindstorms/software)

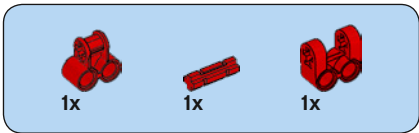
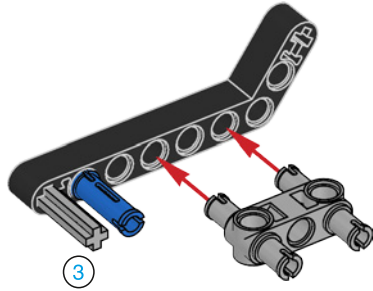


# MISSION 03

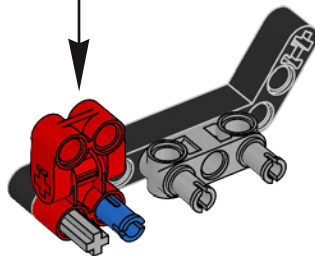
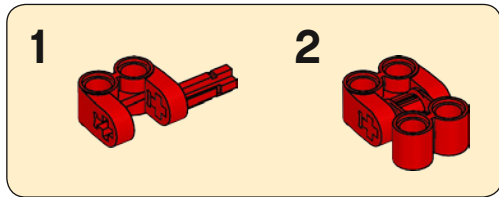


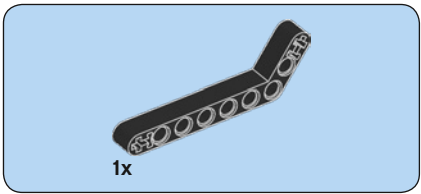


1

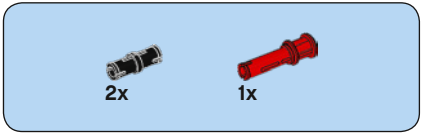
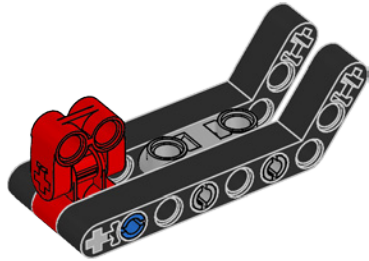


2

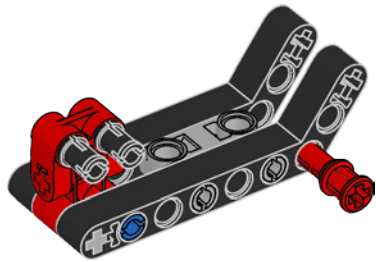




3

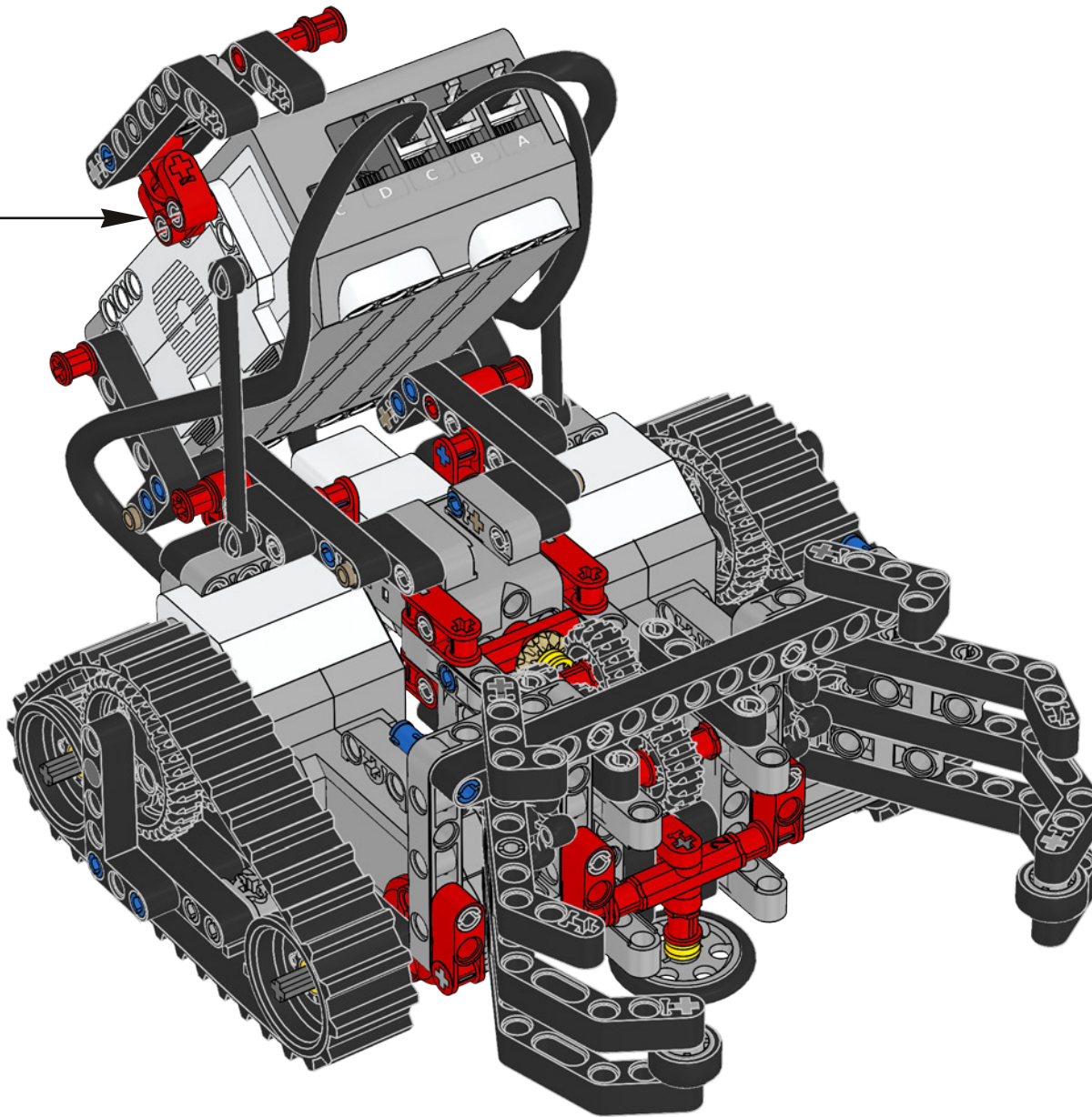


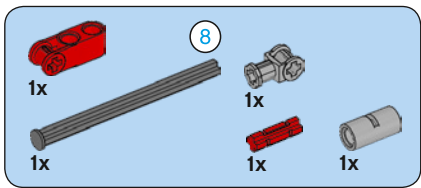
4



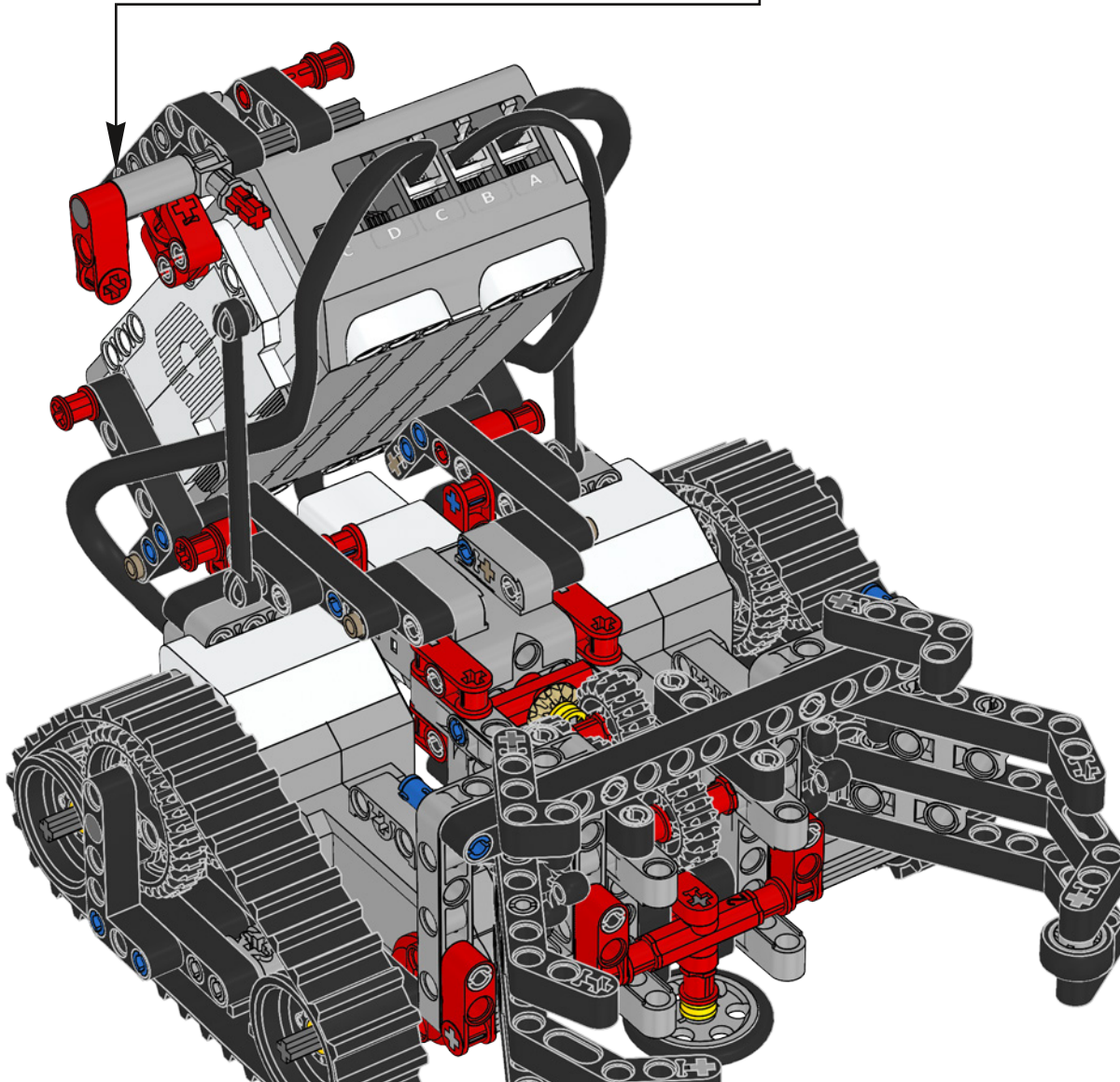
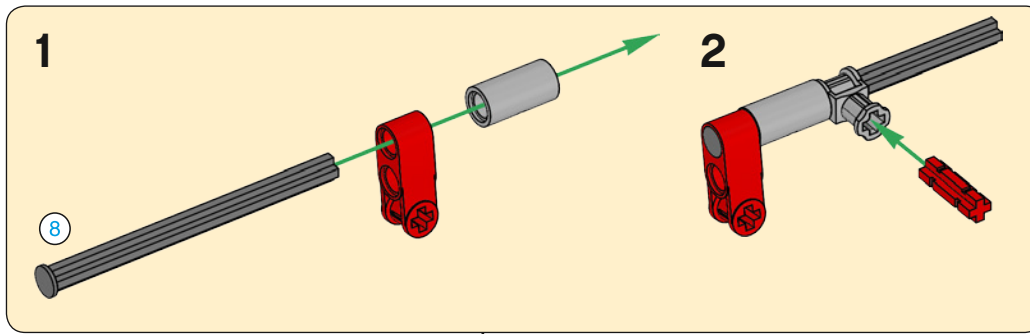


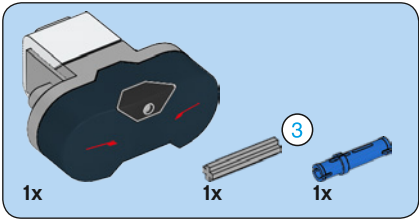
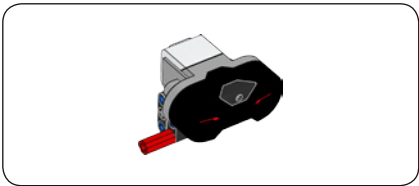
35



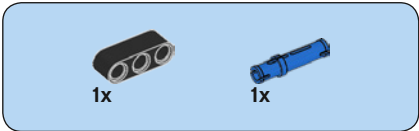
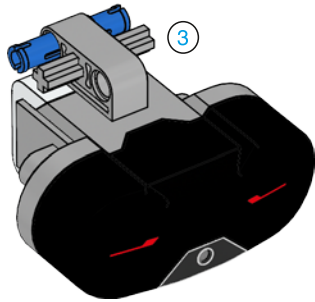


36

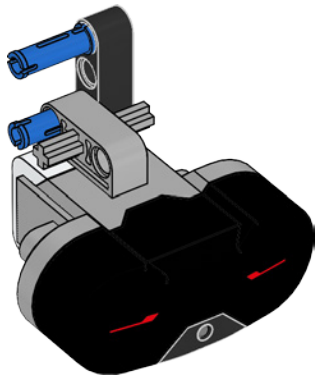




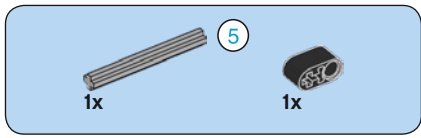
1



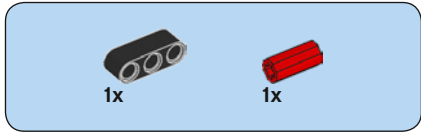
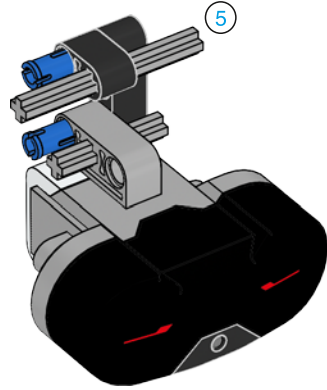
2



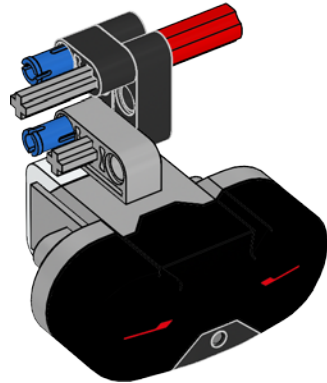


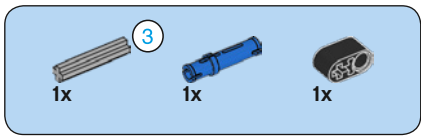


3

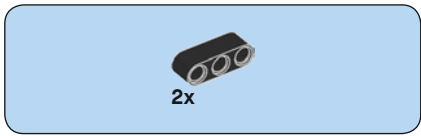
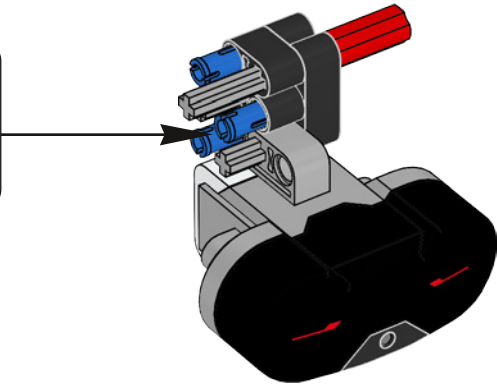
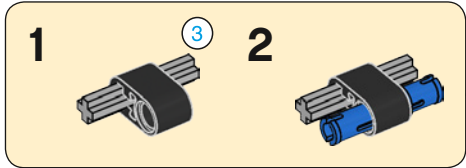


4

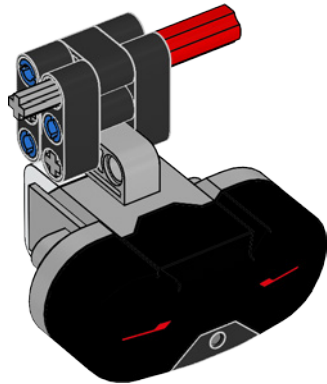


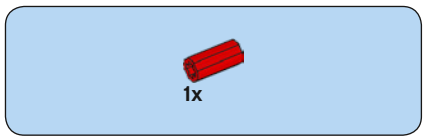


5

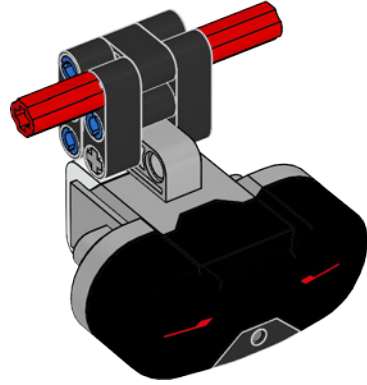


6

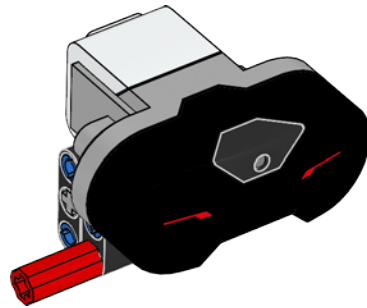




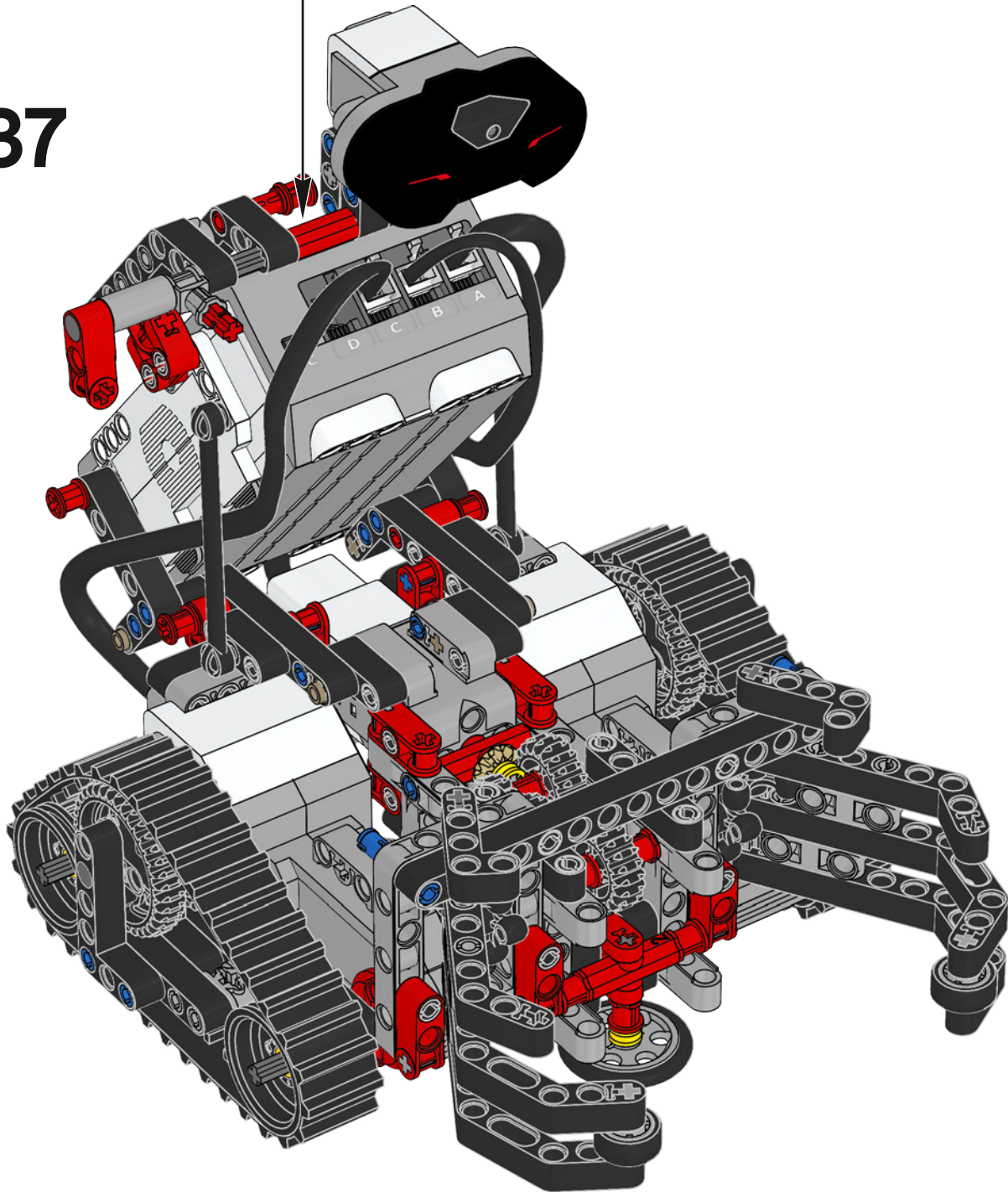
7

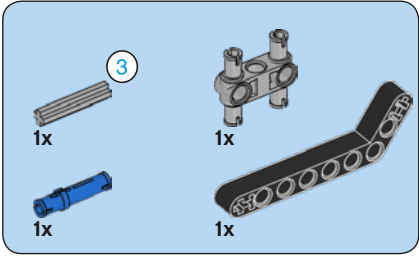
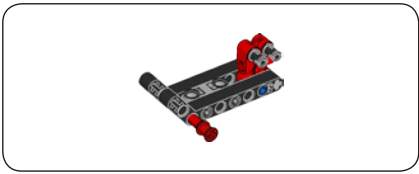


8

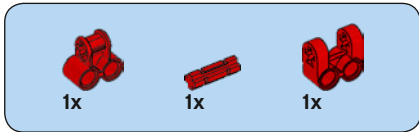
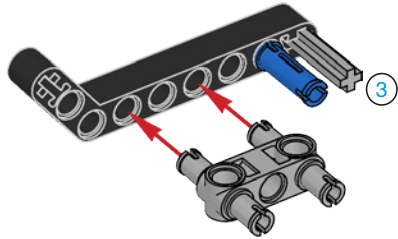


37

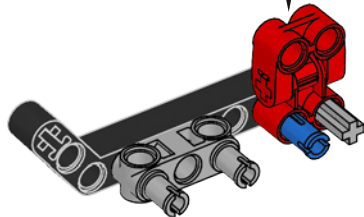
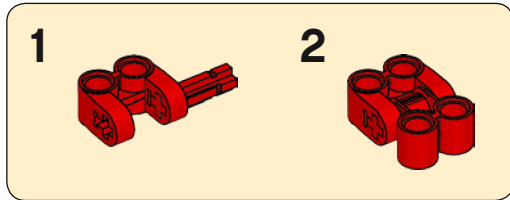


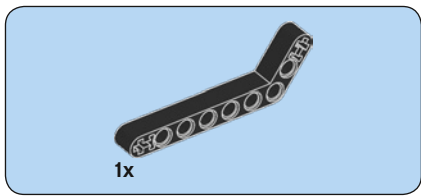


1

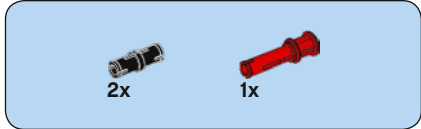
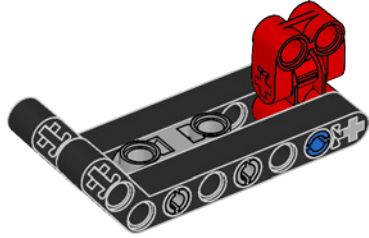


2

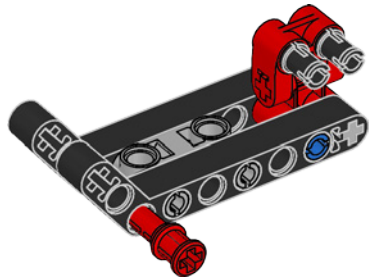




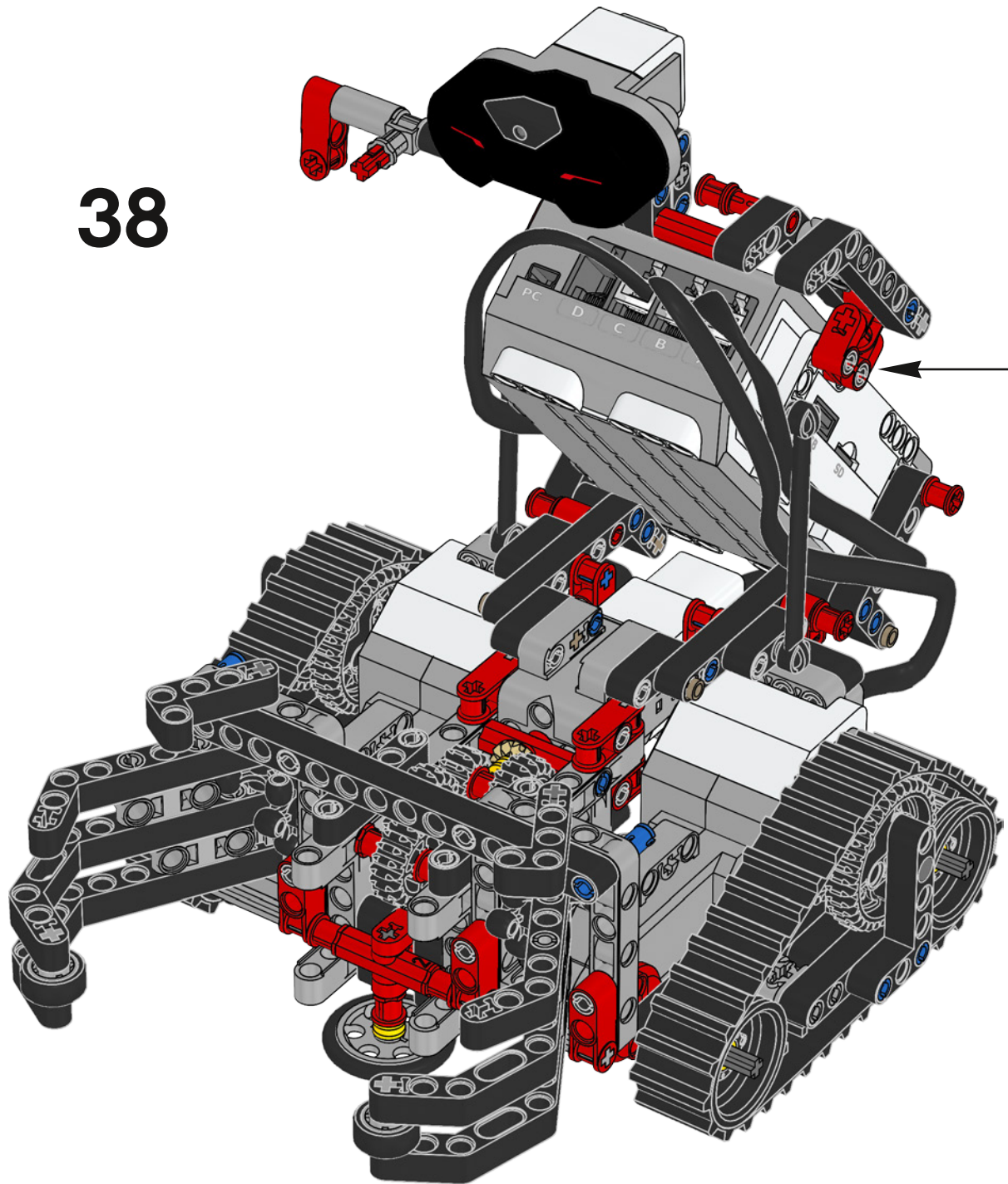
3

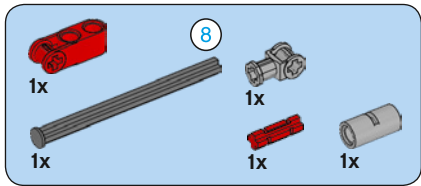


4

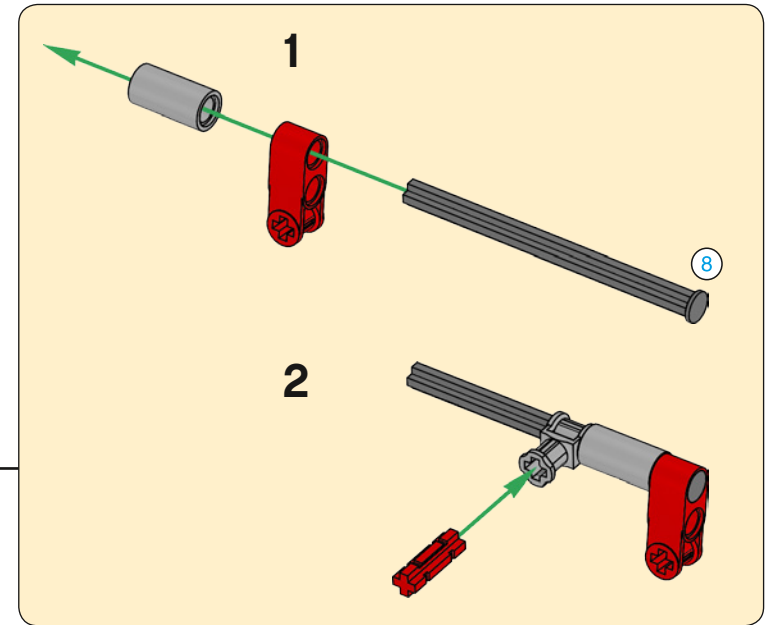
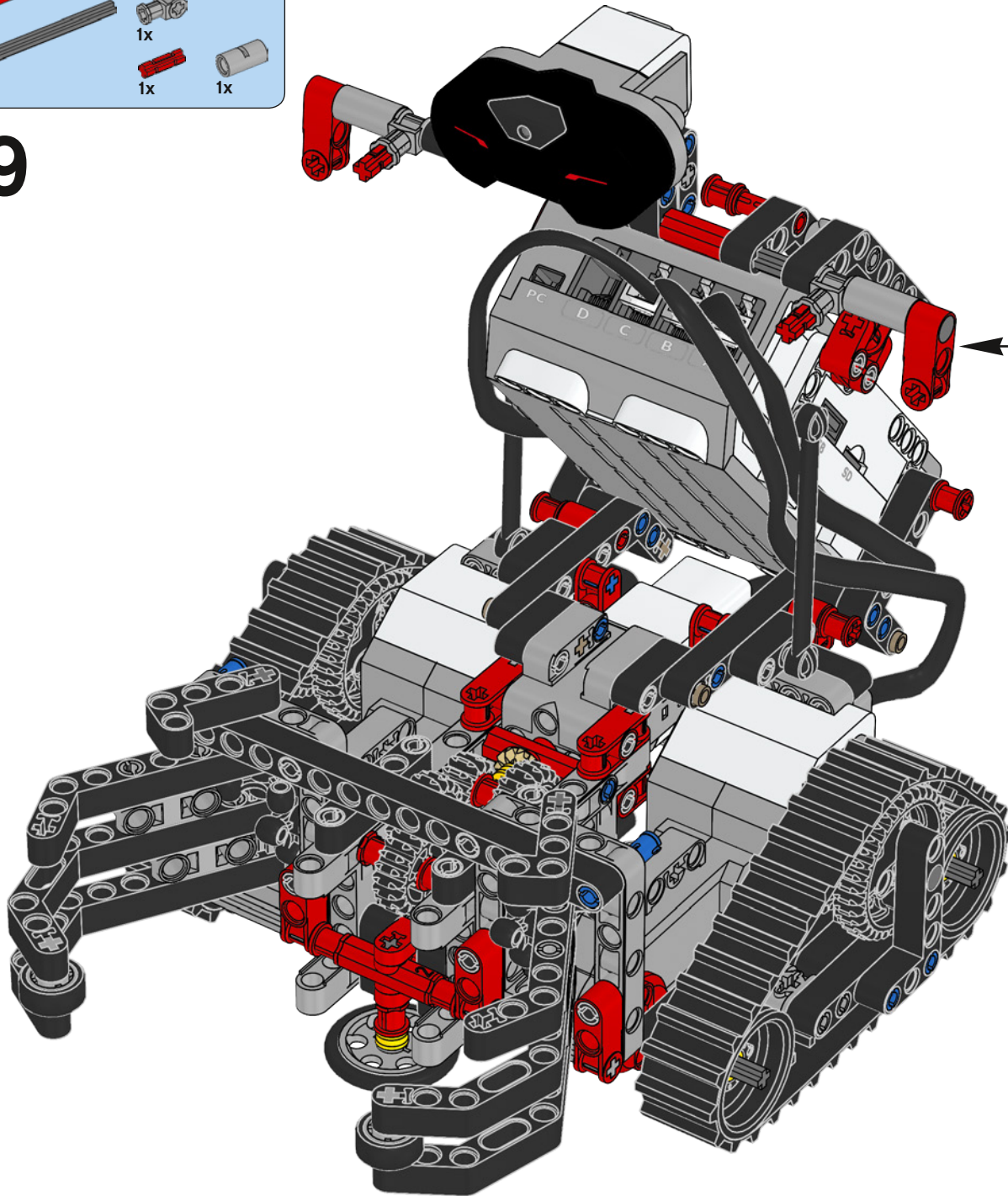


38

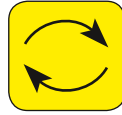
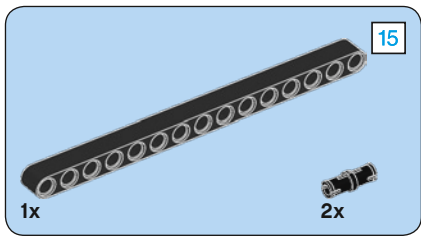




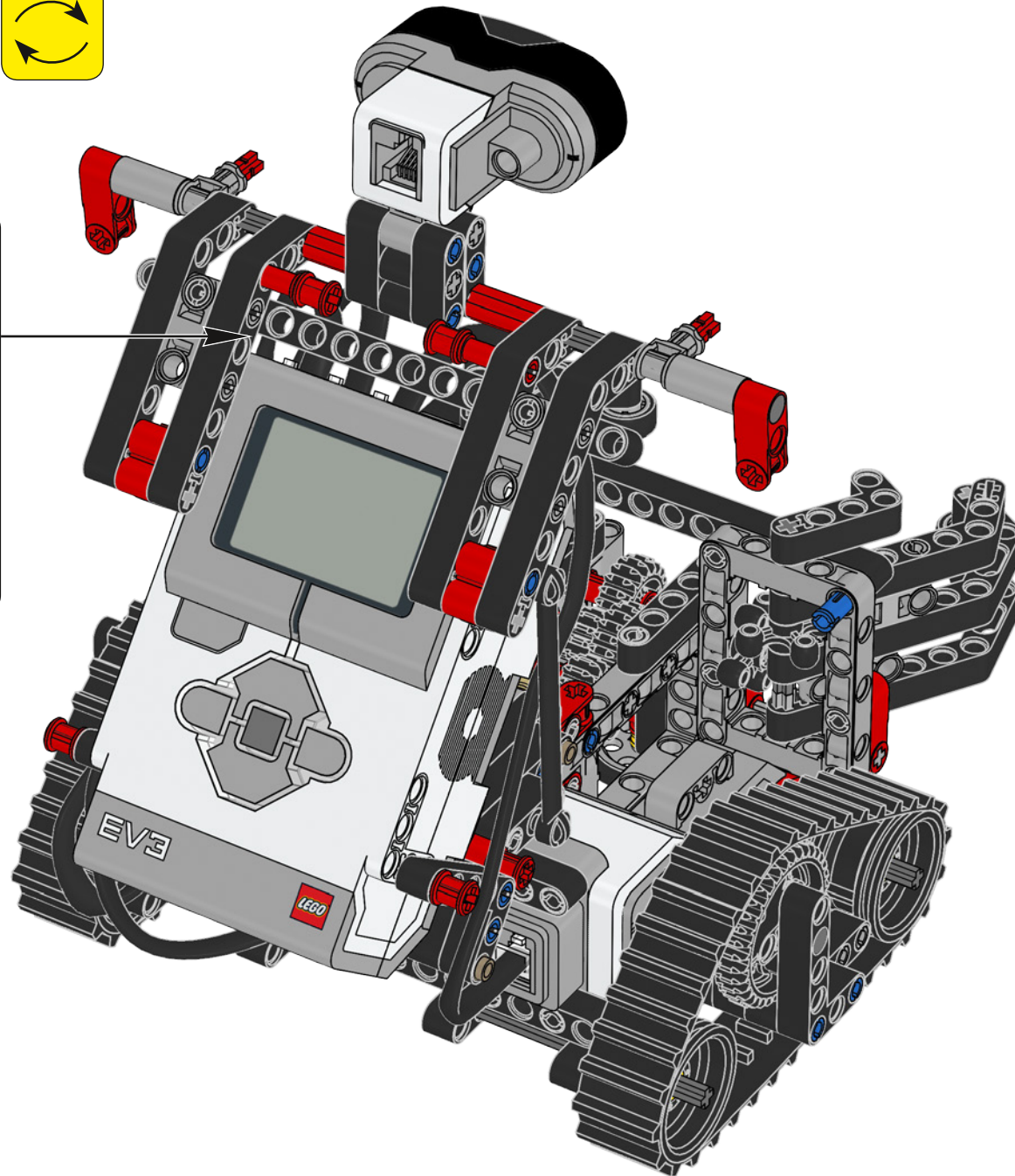
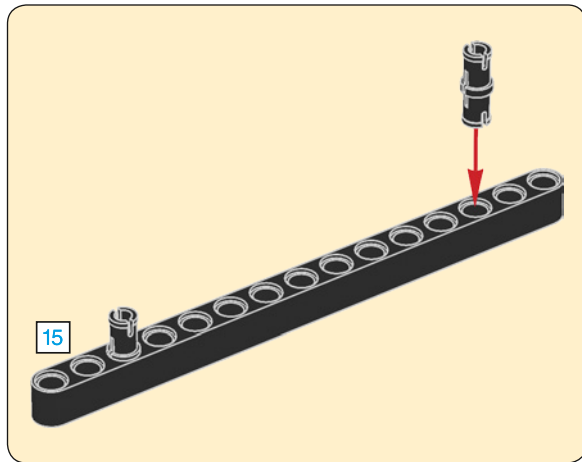
39

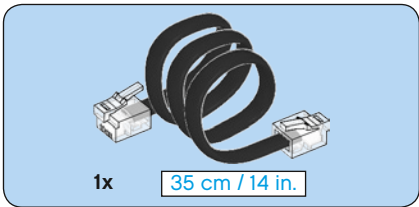




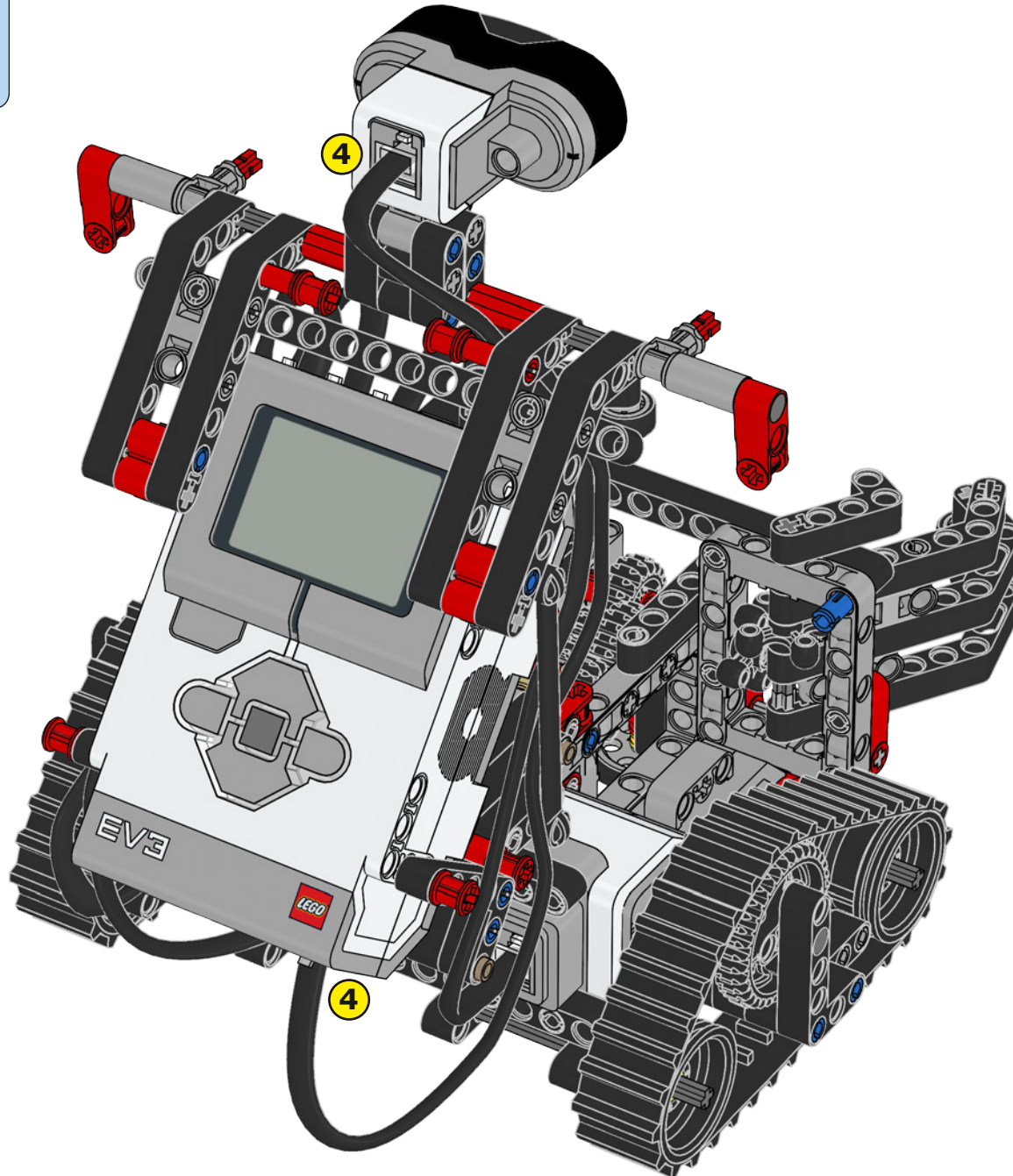


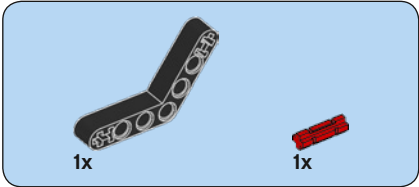
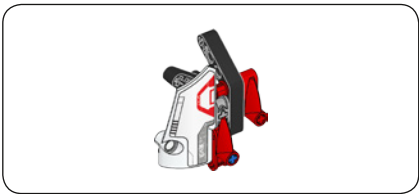
40





41

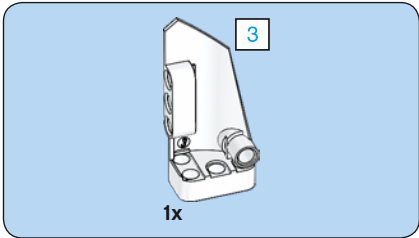
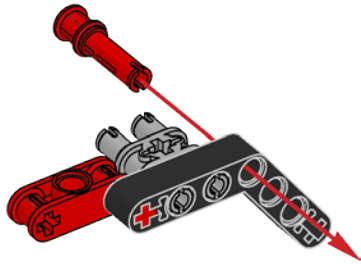




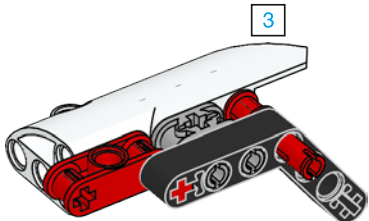
1



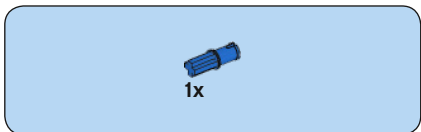
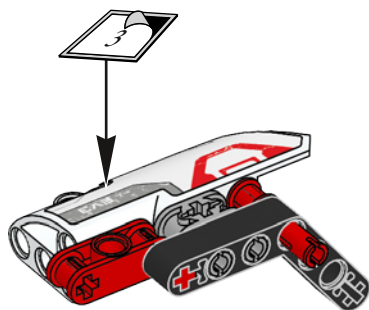
2



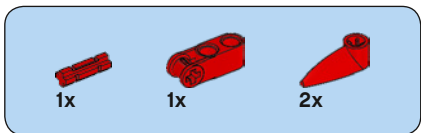
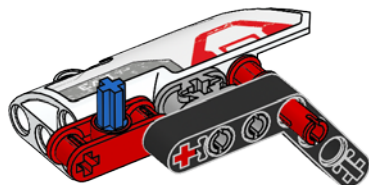
3



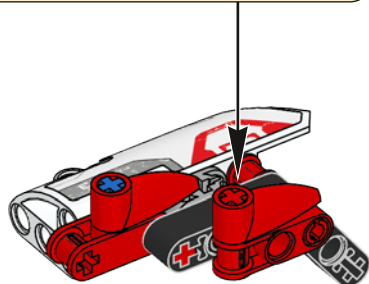
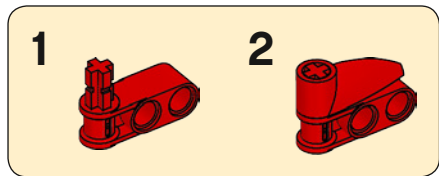
4

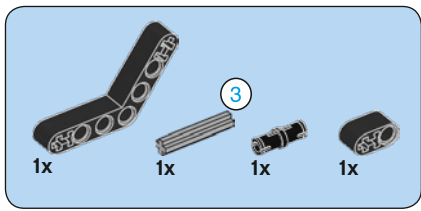


5

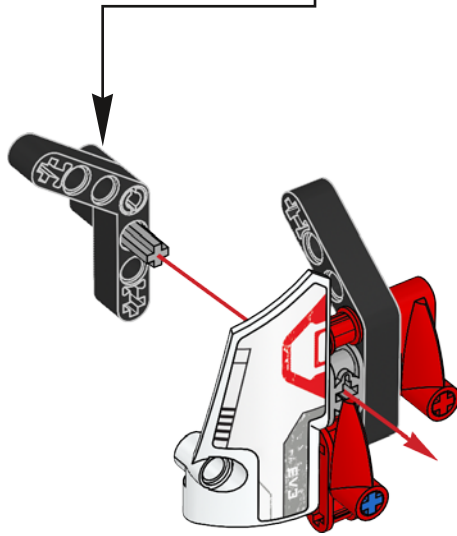
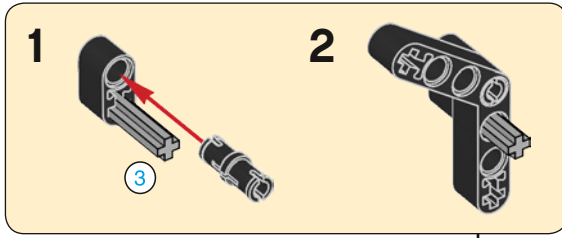


6

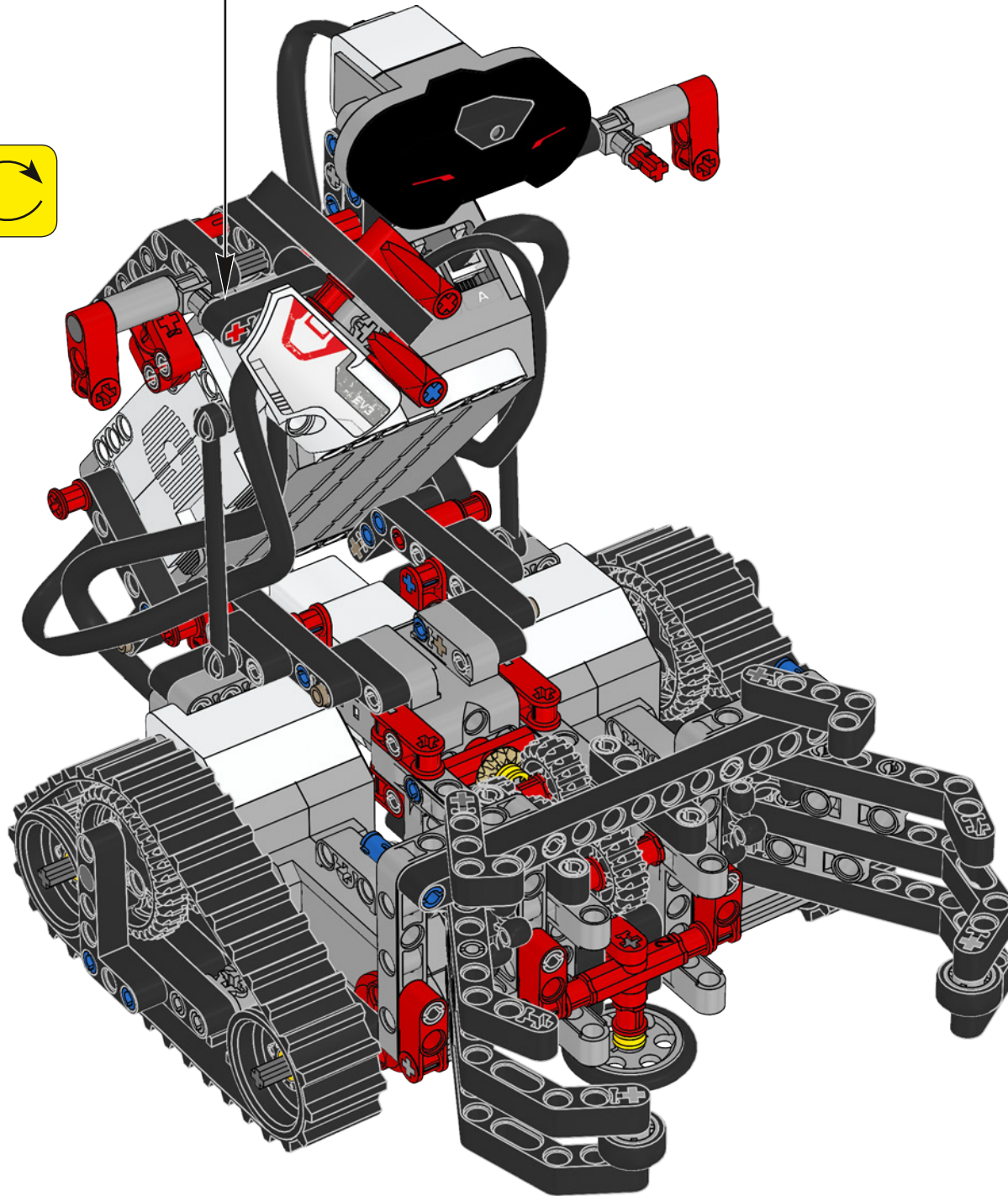


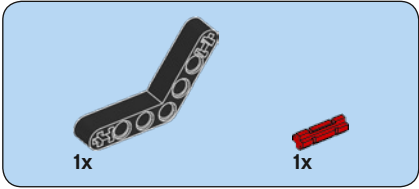
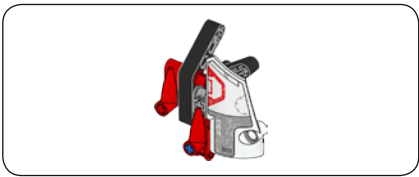


7

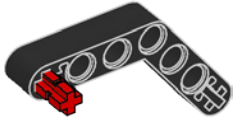


42

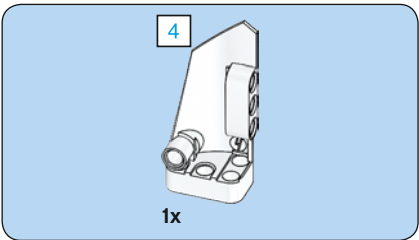
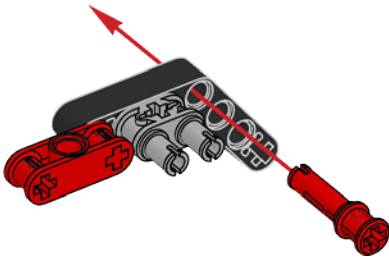




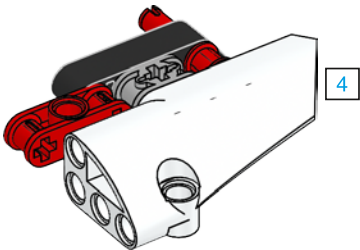
1



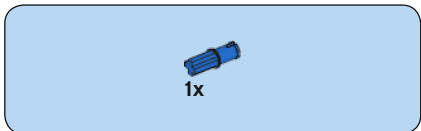
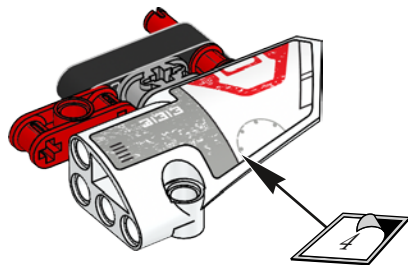
2



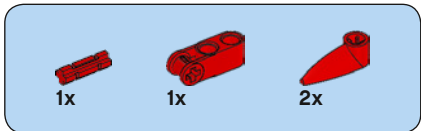
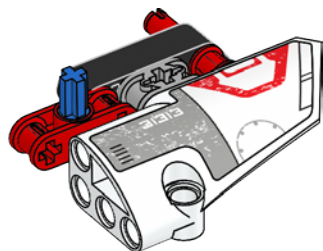
3



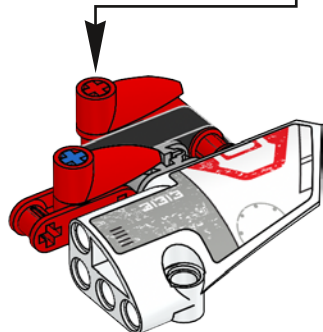
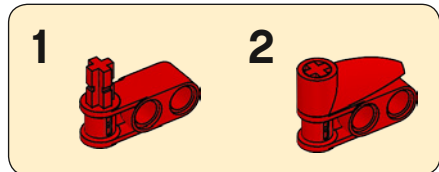
4



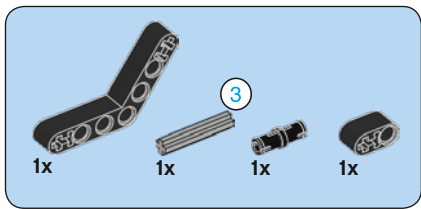
5



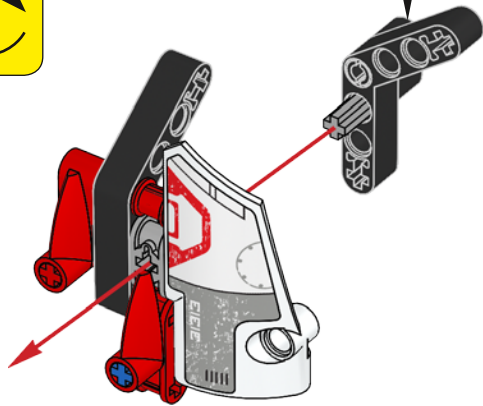
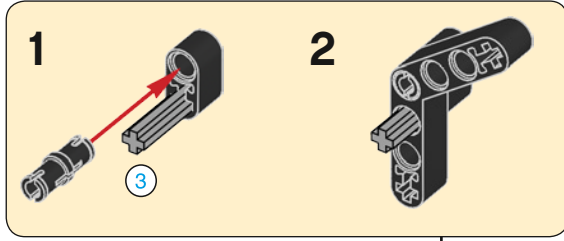
6



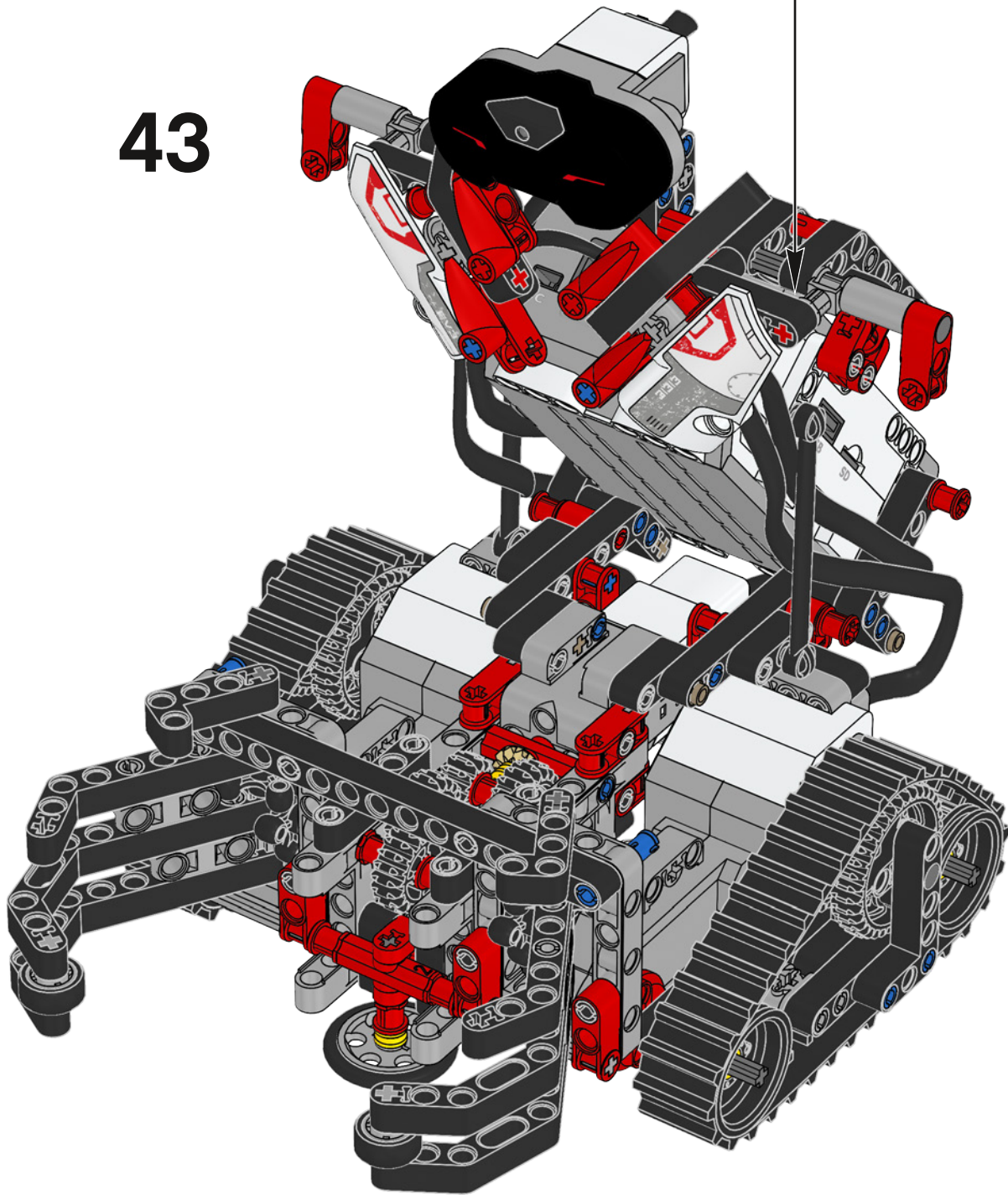


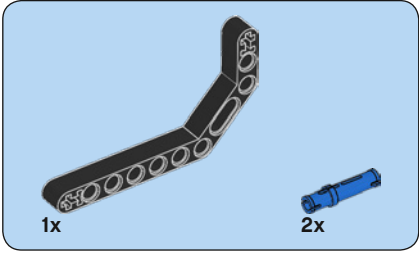
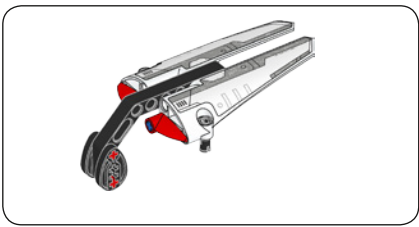


7

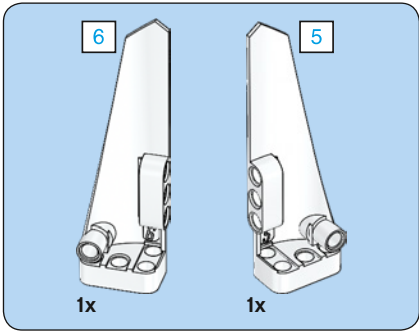
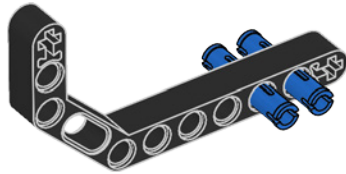


43

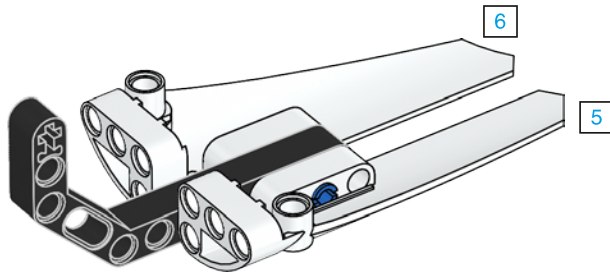


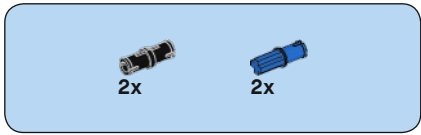


1

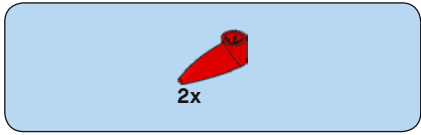
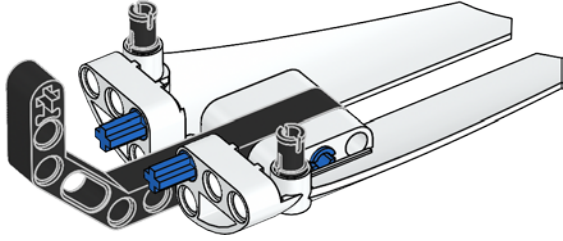


2

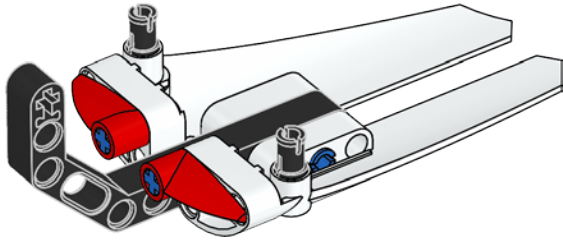




3

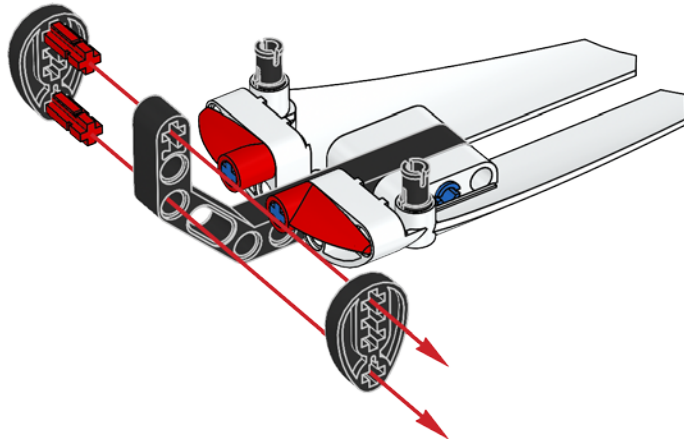


4

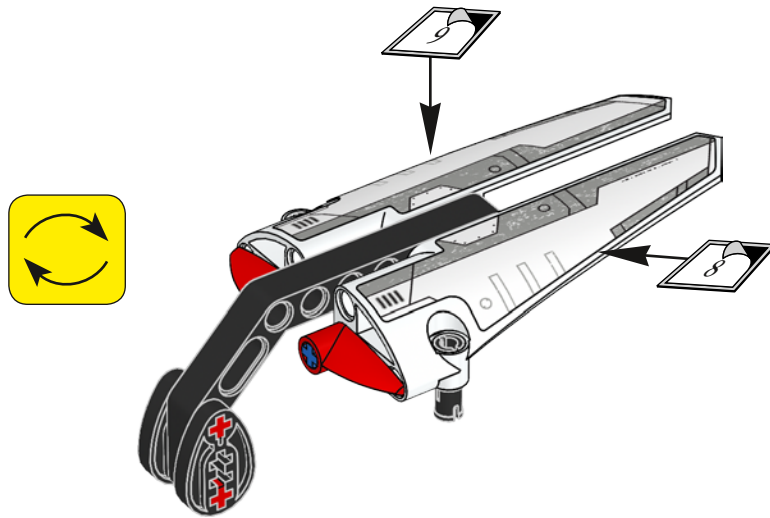




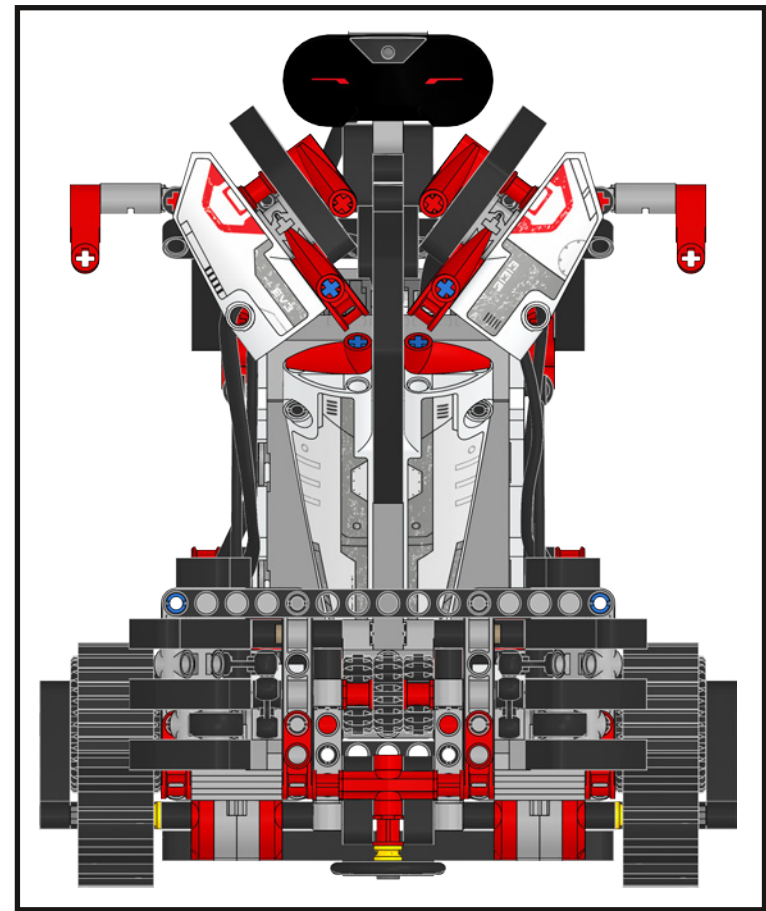
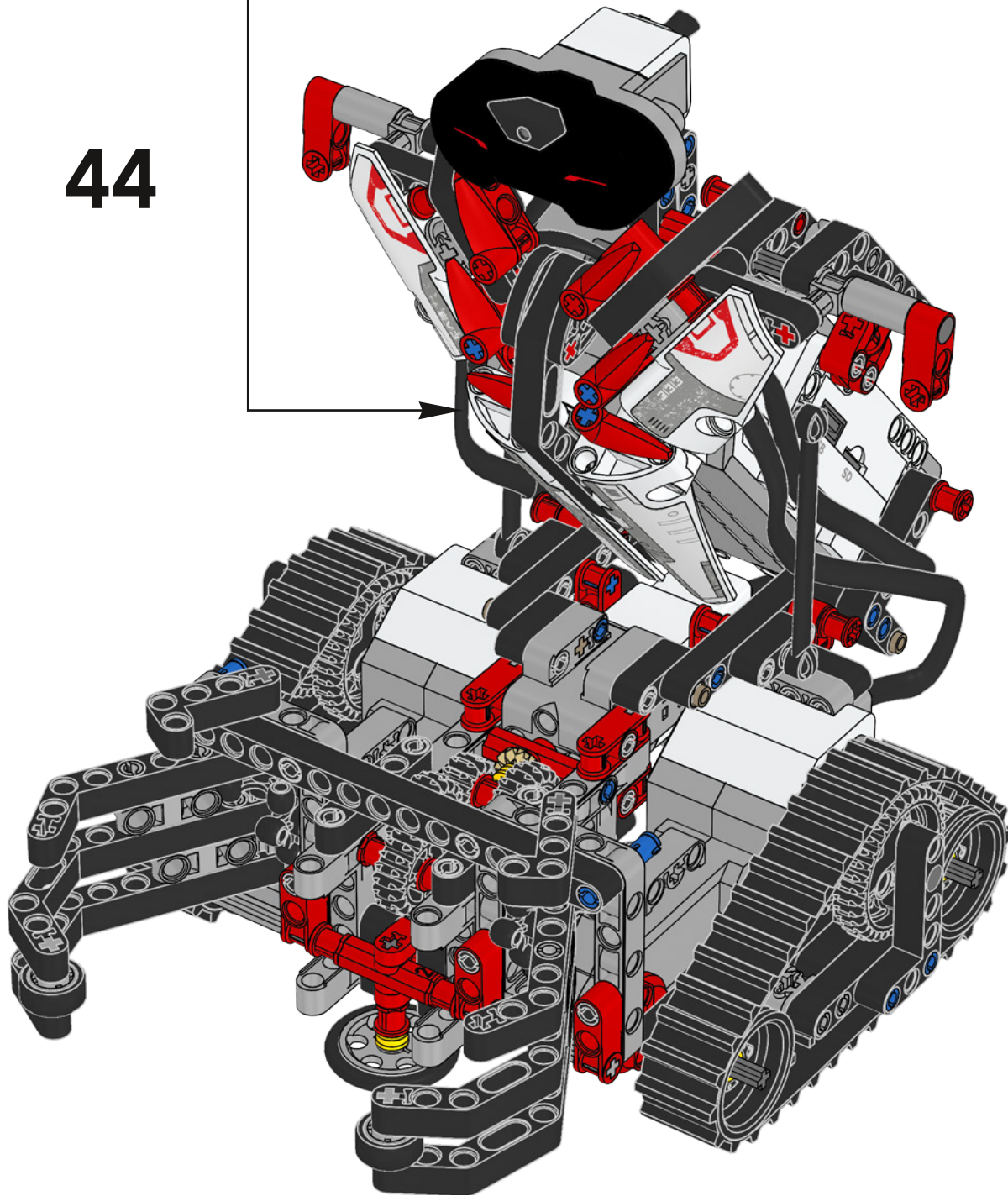
5

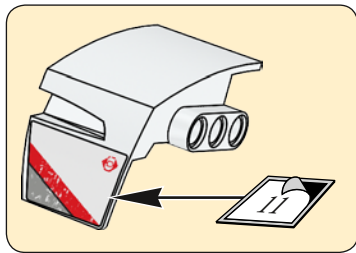
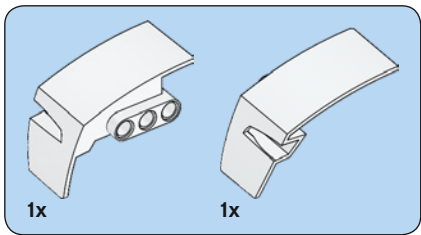


6

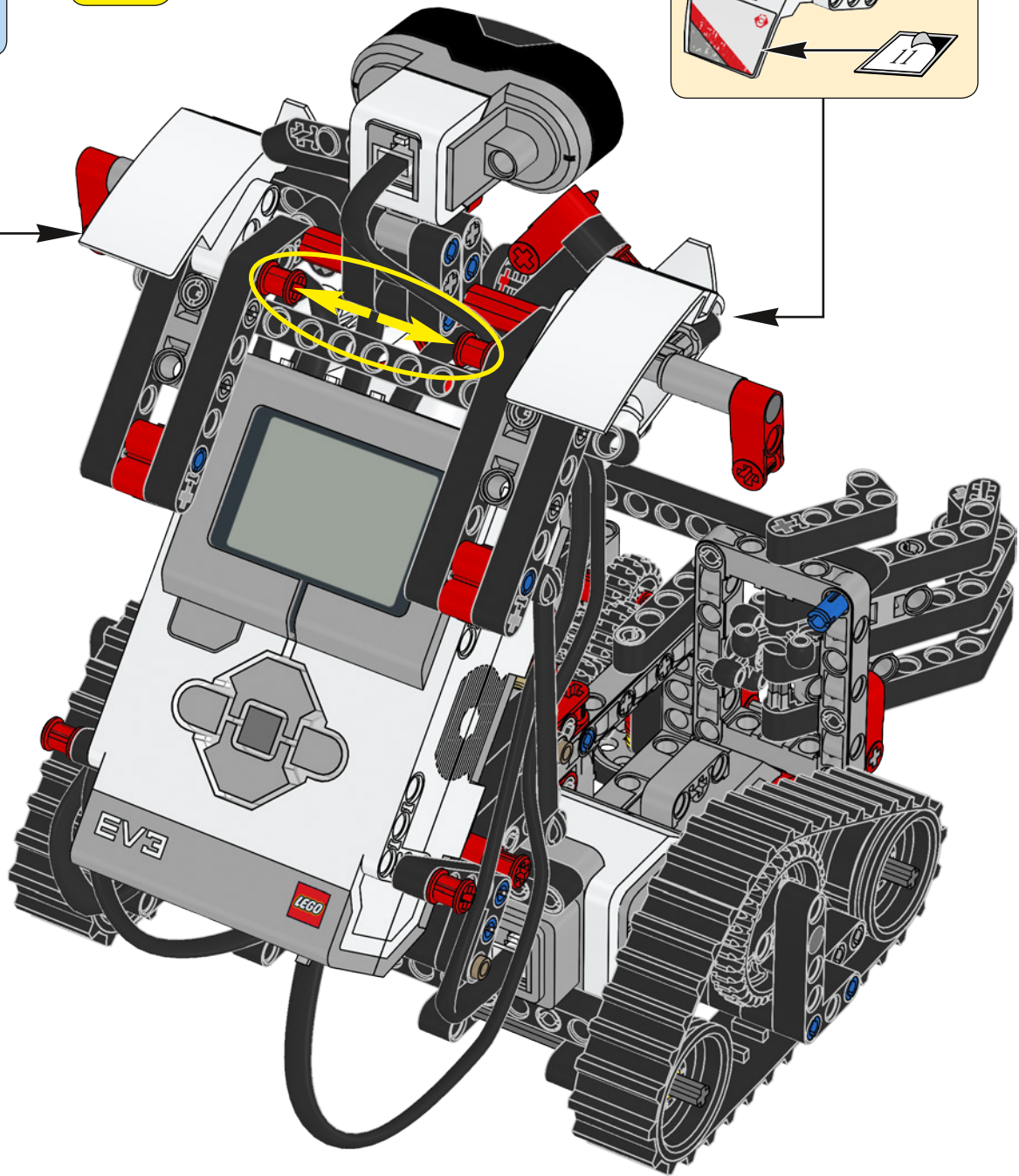
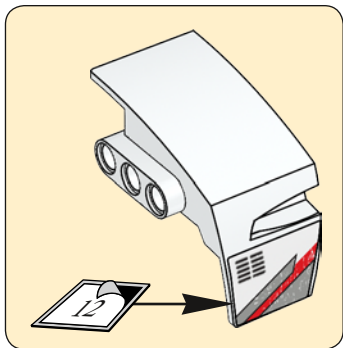


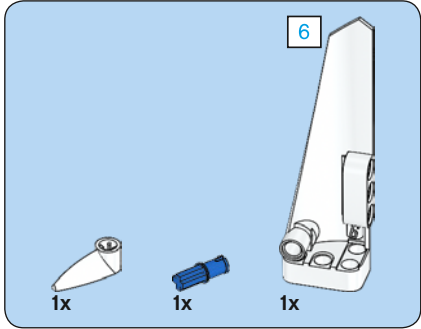
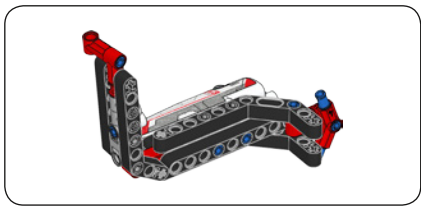
44



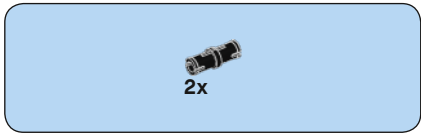
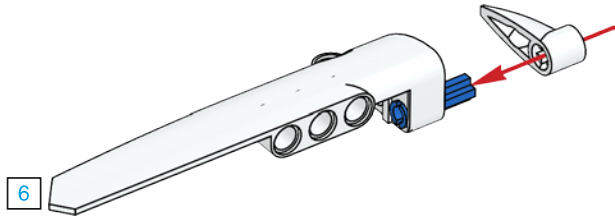


45

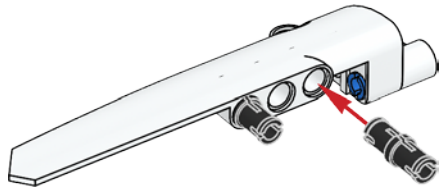




1

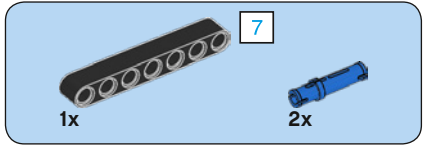
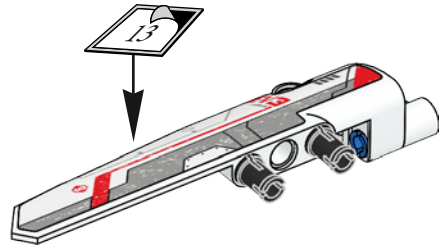


2

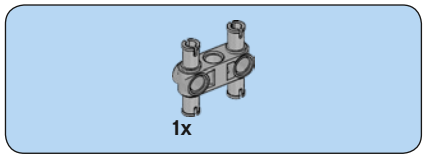
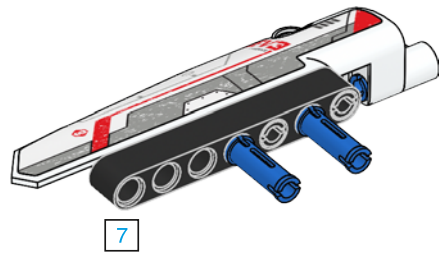




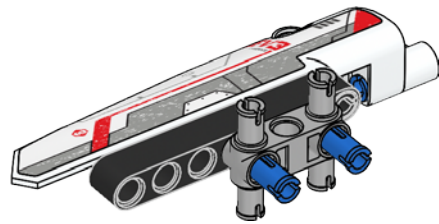
3

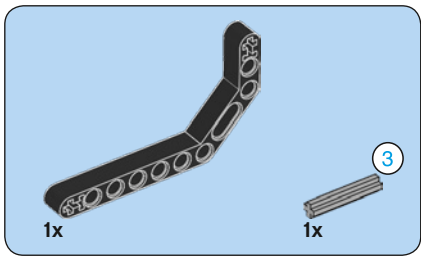


4

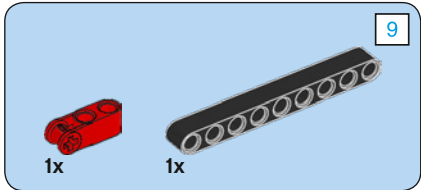
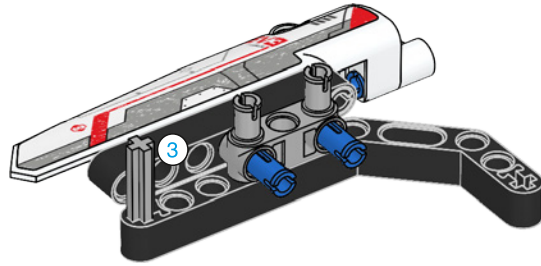


5

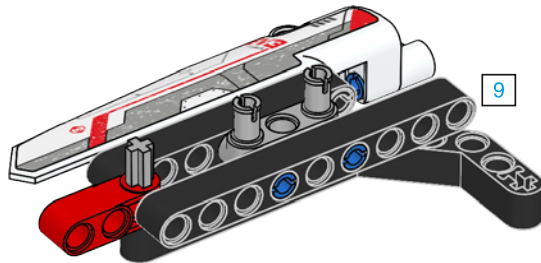


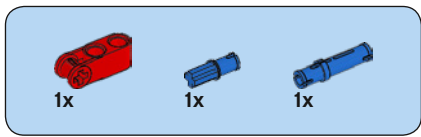


6

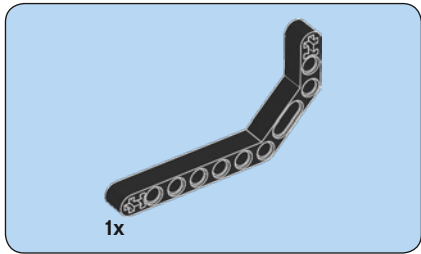
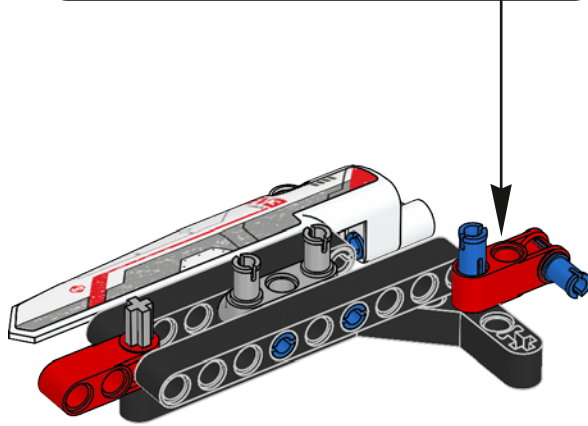
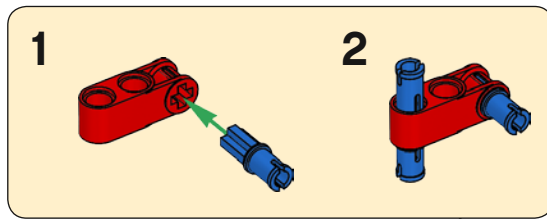


7

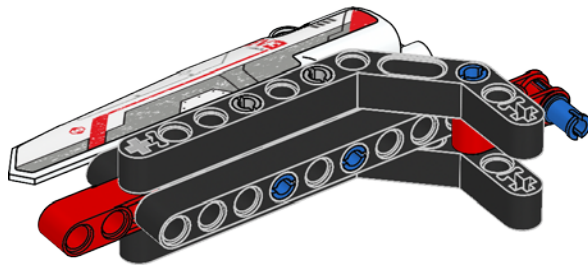


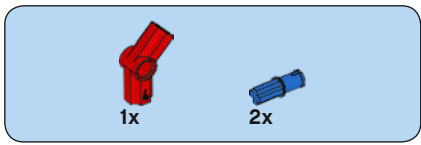


8

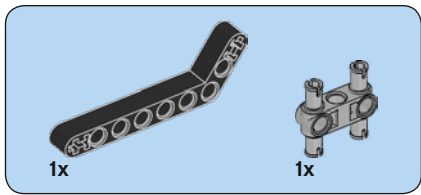
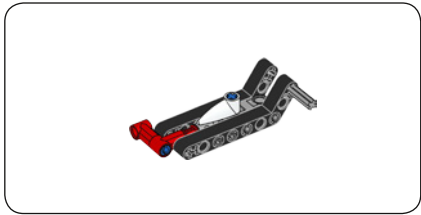
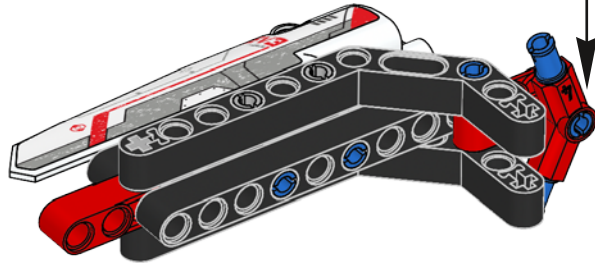
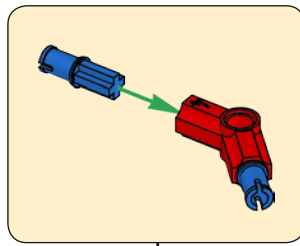


9

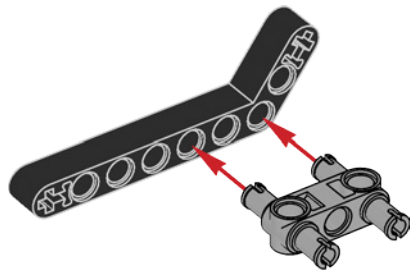


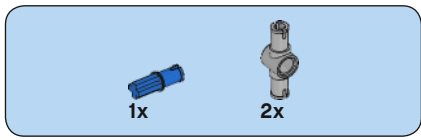


10

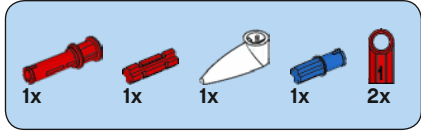
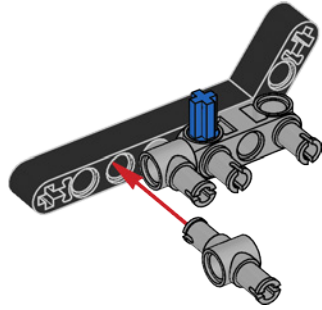


1

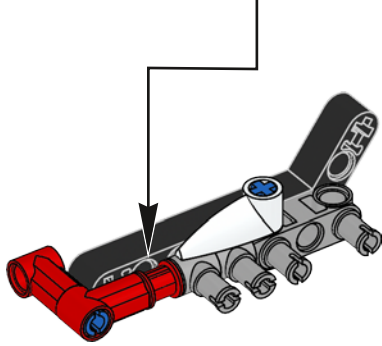
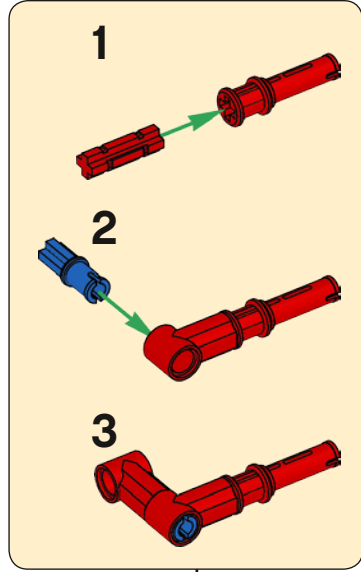


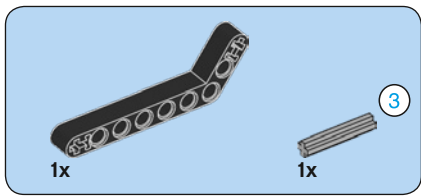


2

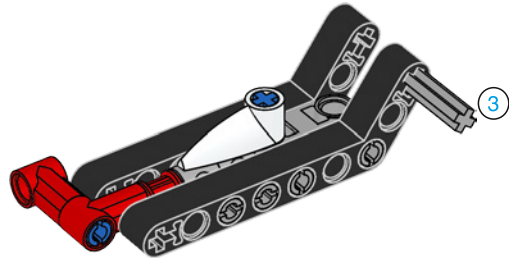


3

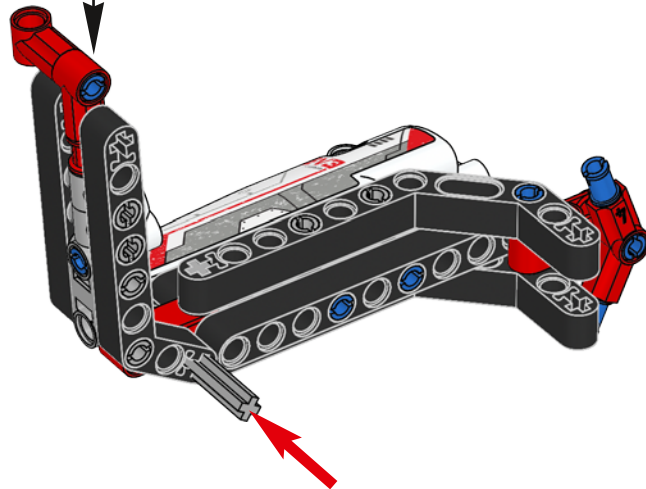


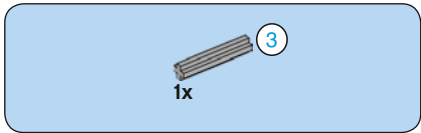


4

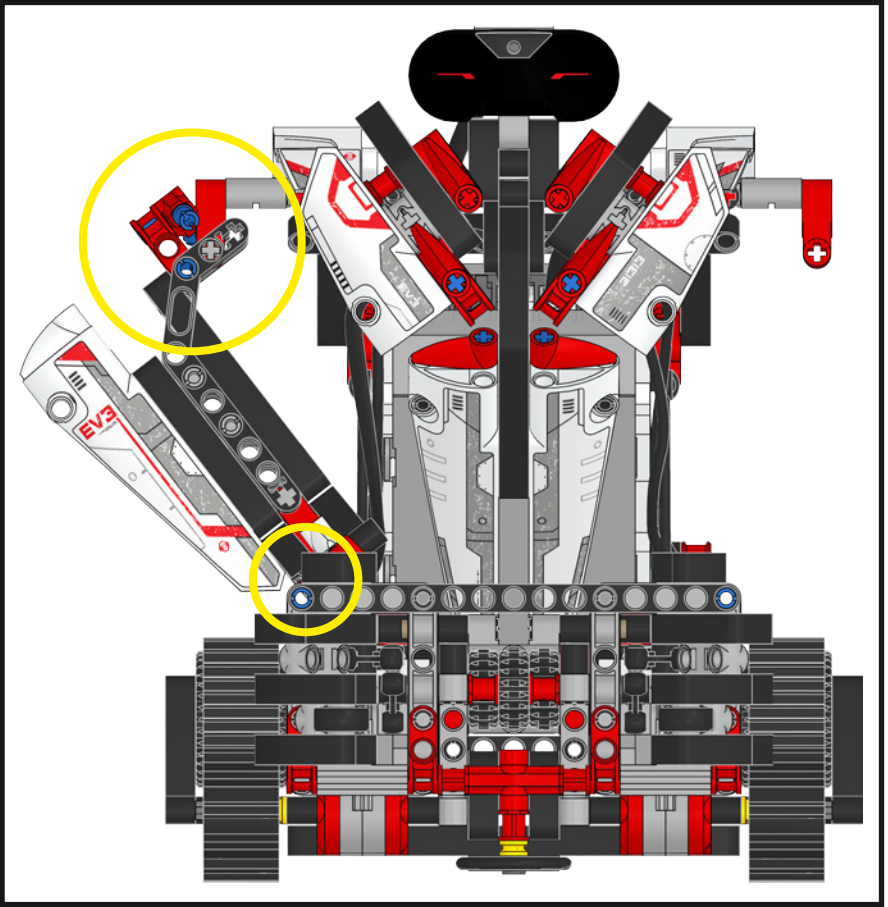
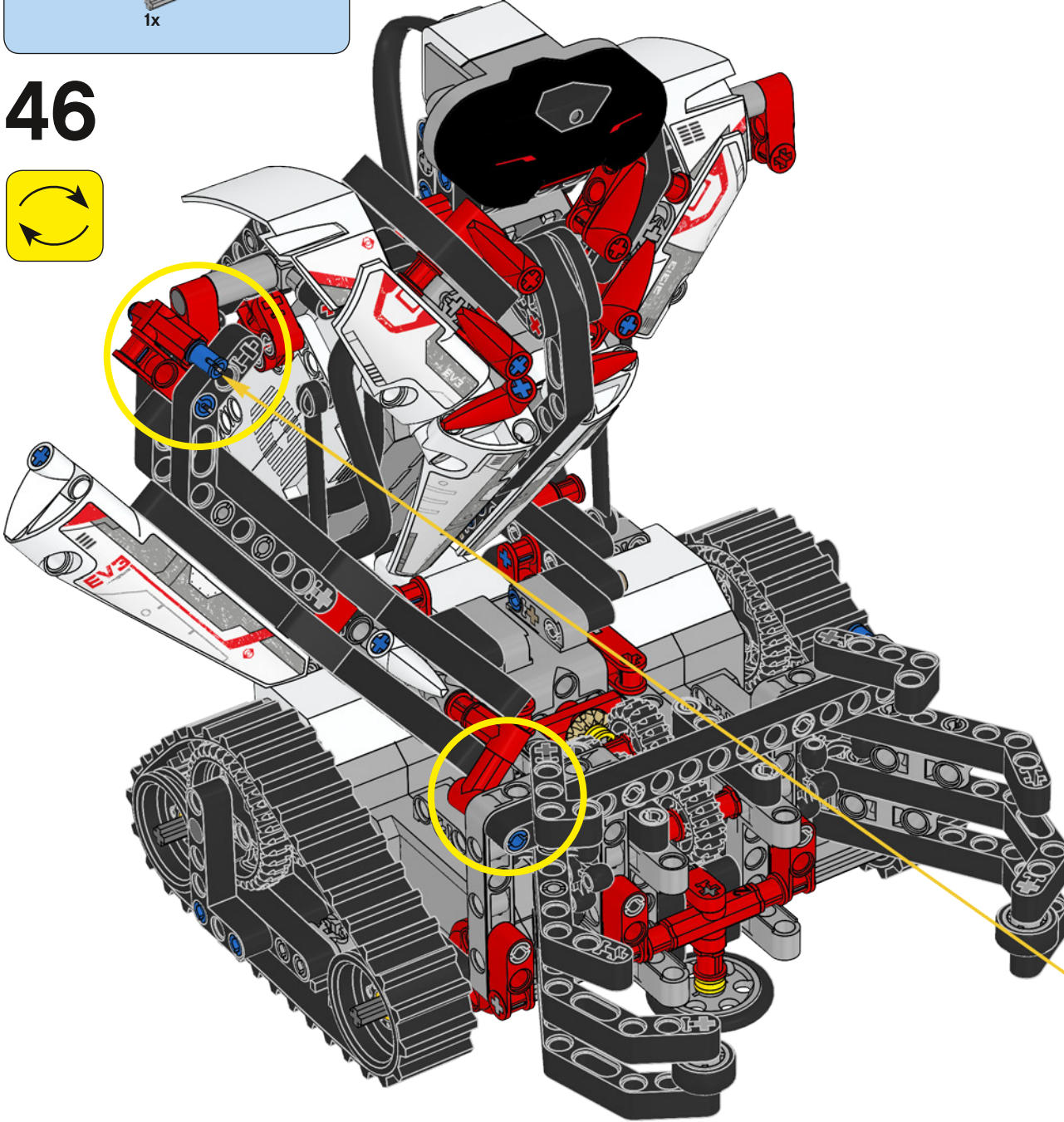


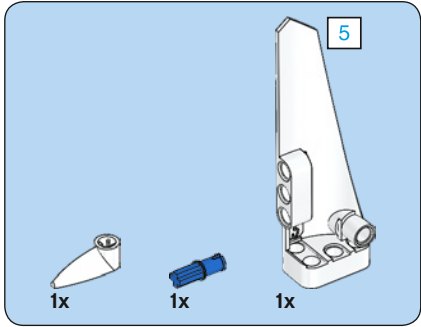
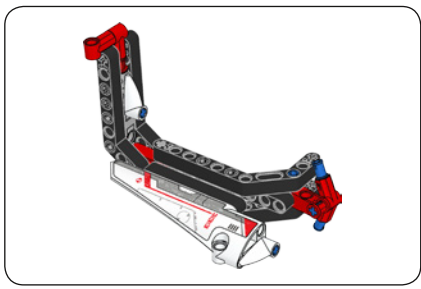
11



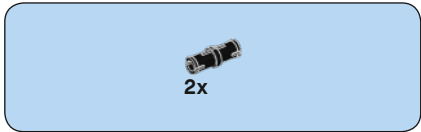
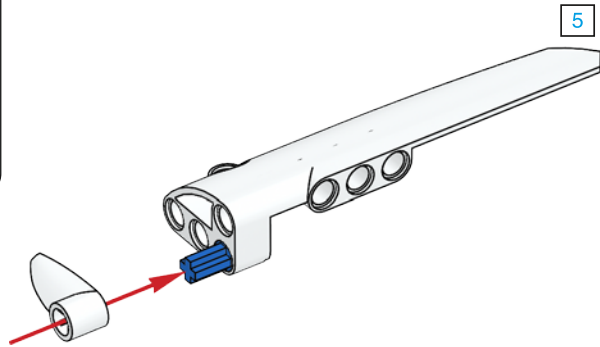


46

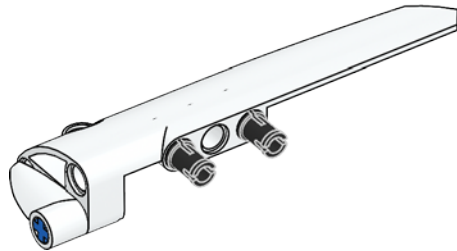




1

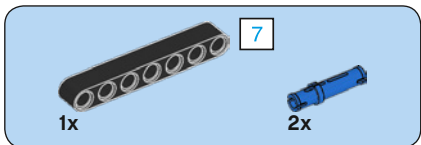
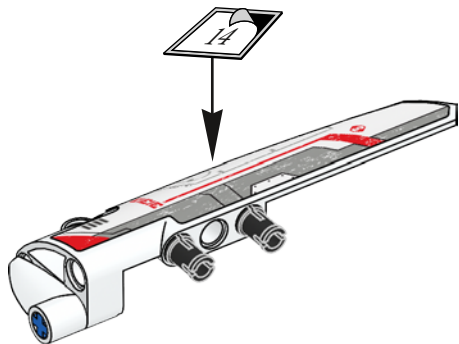


2

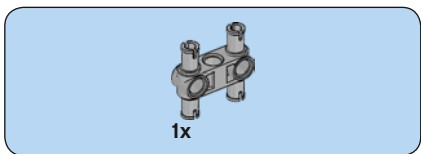
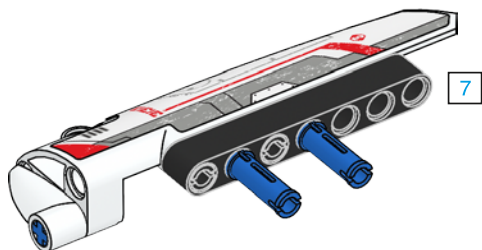




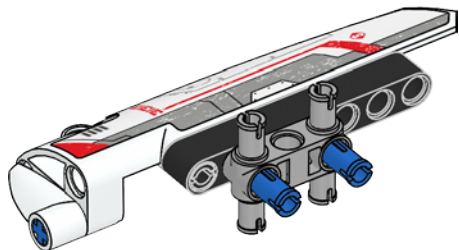
3



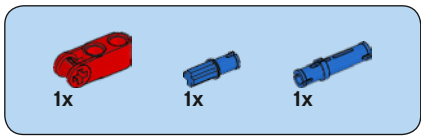
4



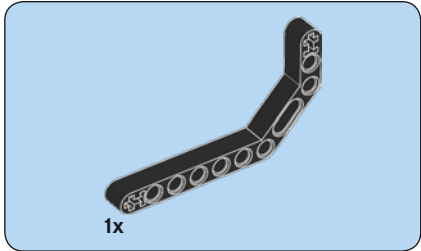
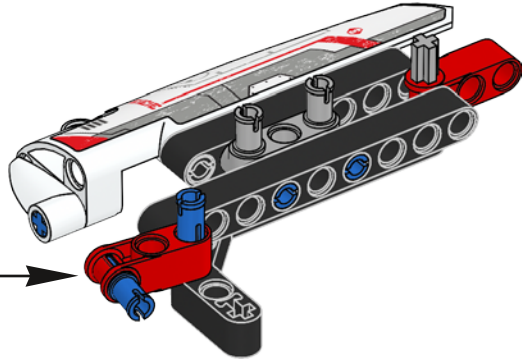
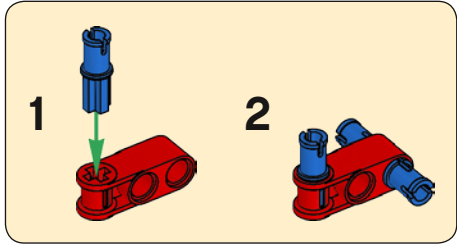
5



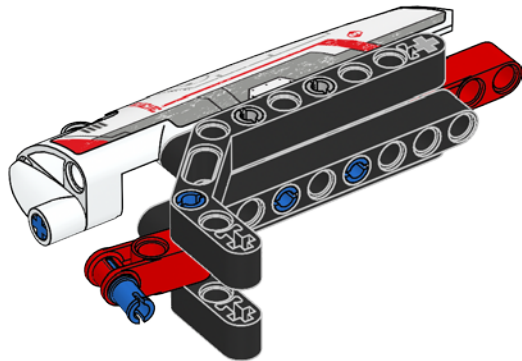


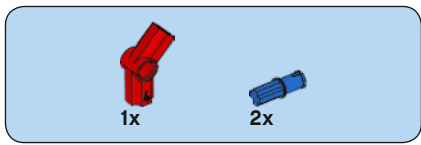


8

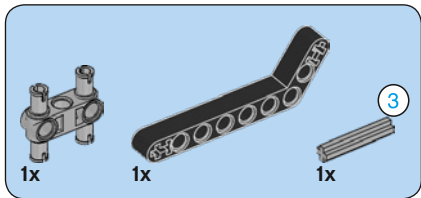
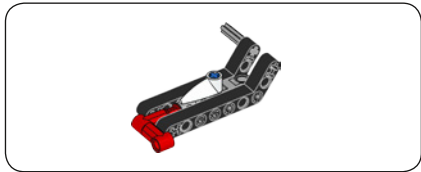
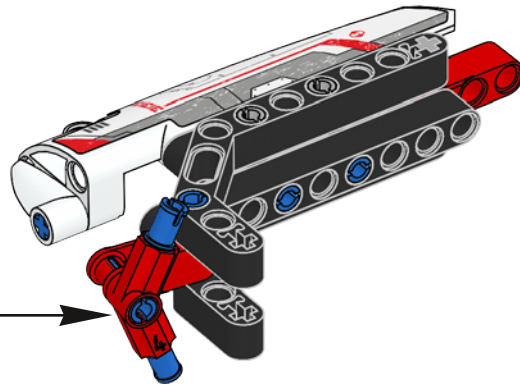
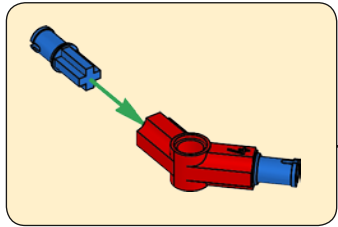


9

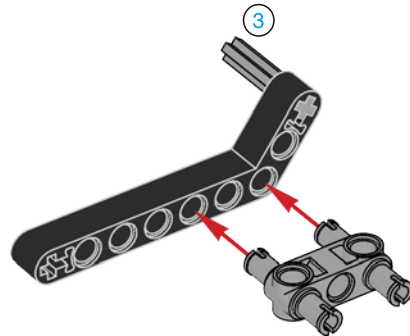


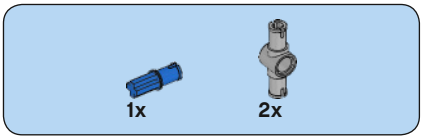


10

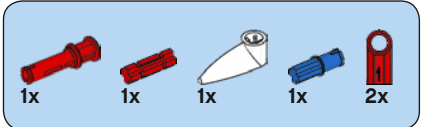
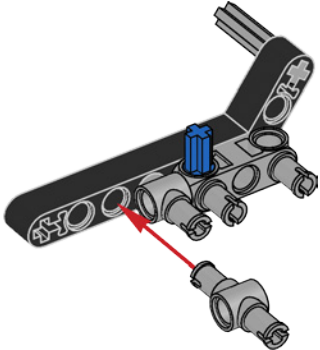


1

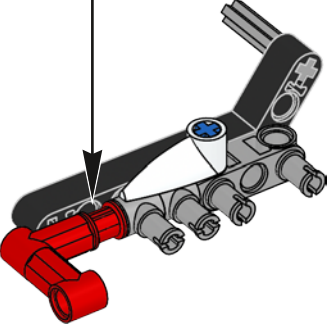
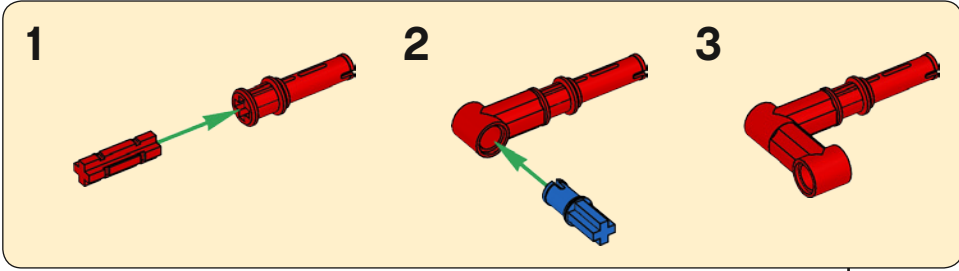


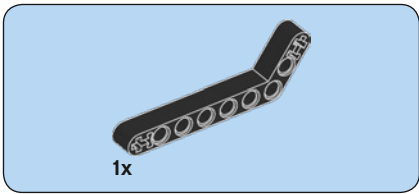


2

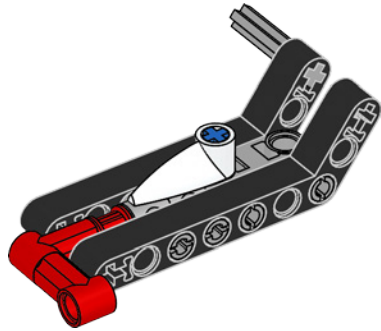


3

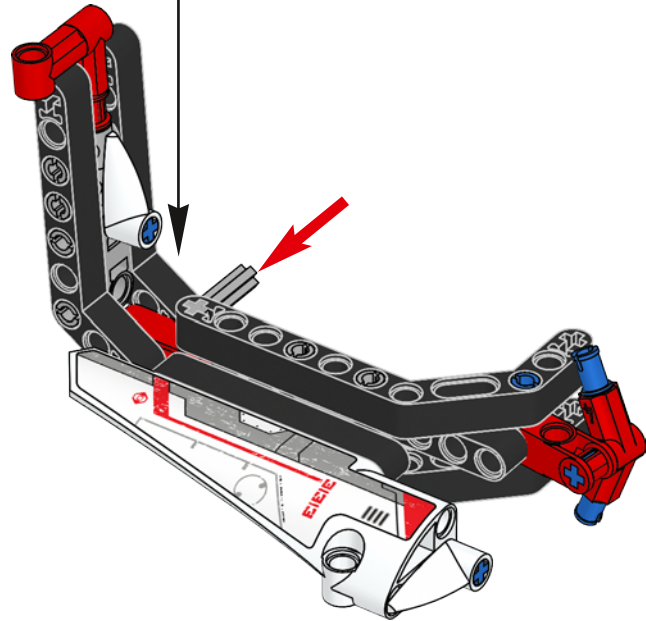


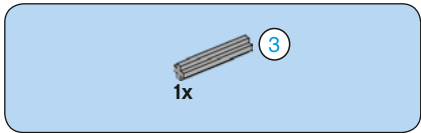


4

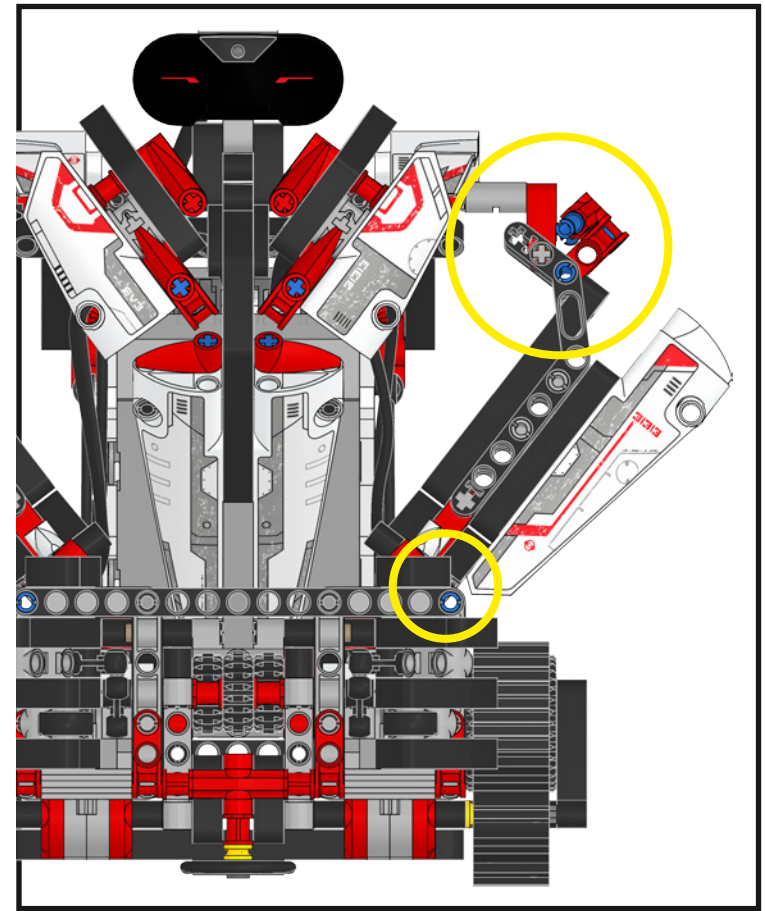
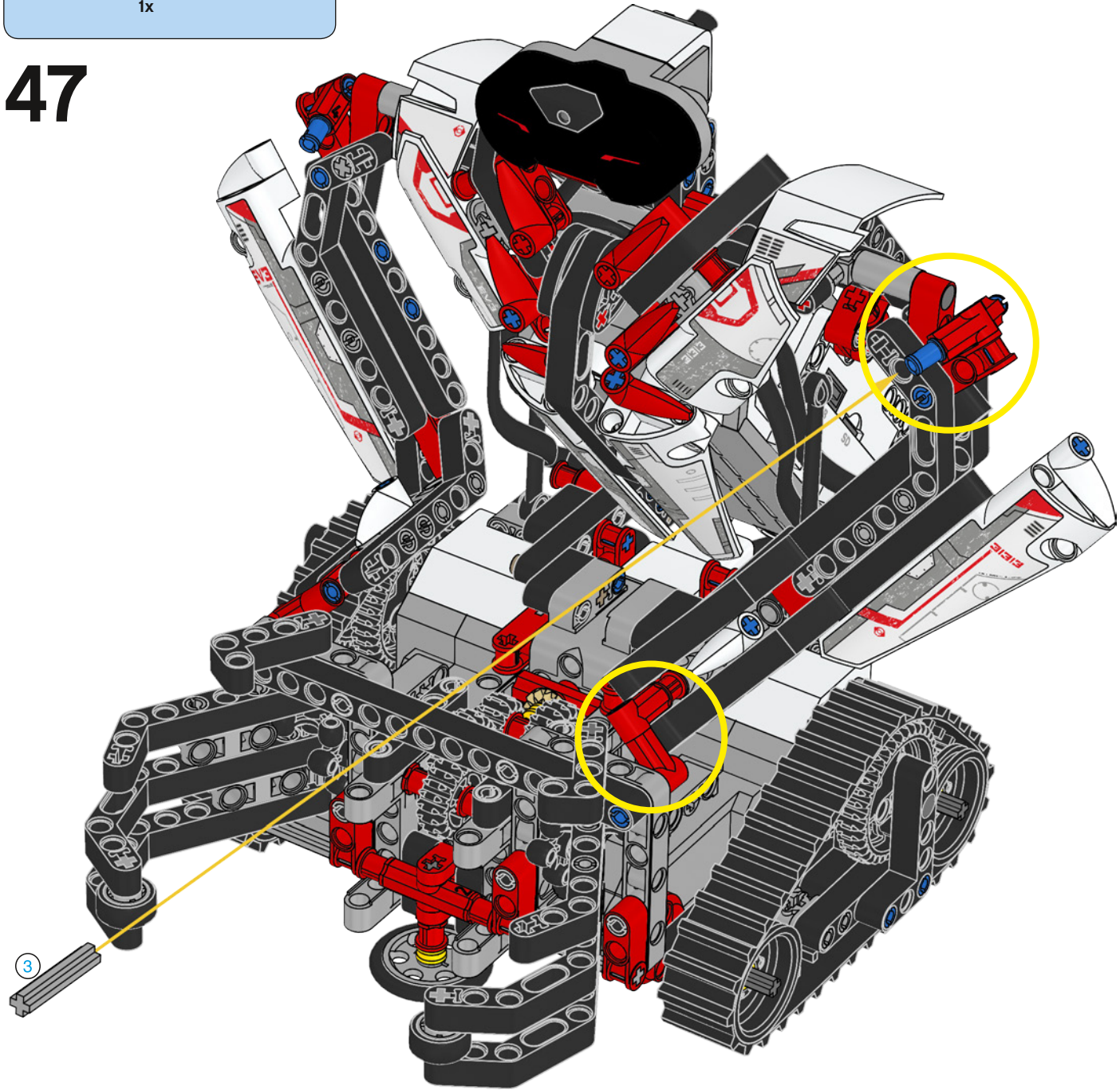


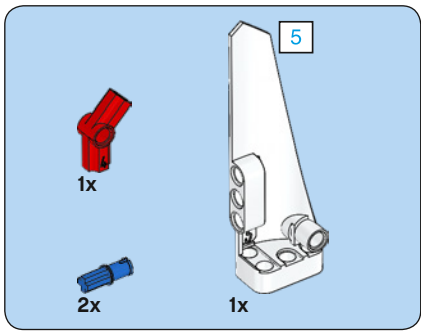
11



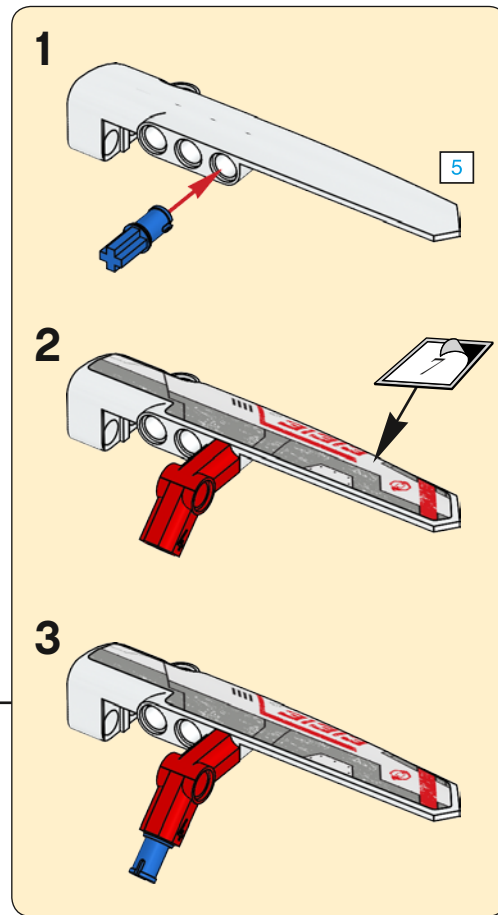
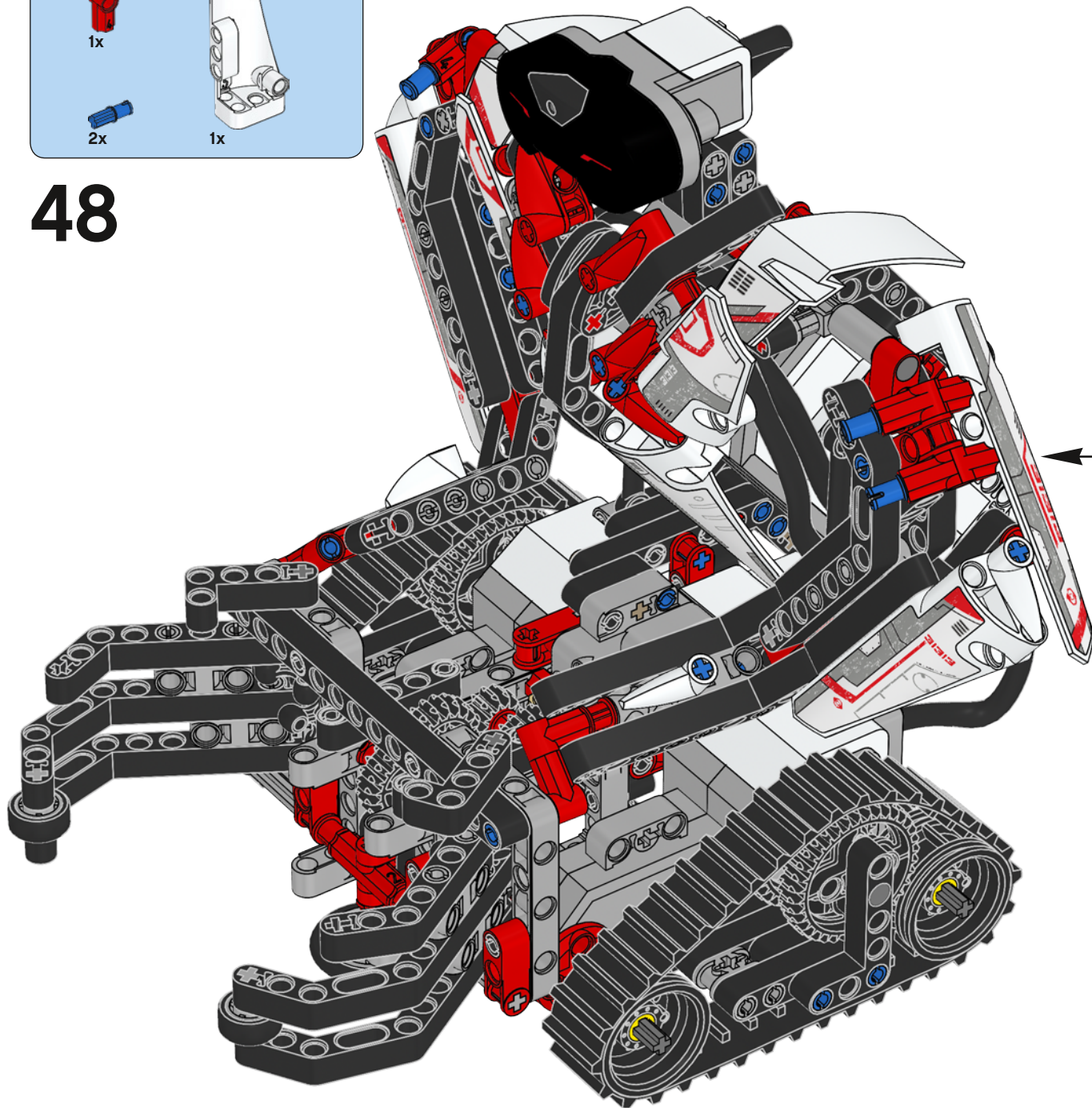


47

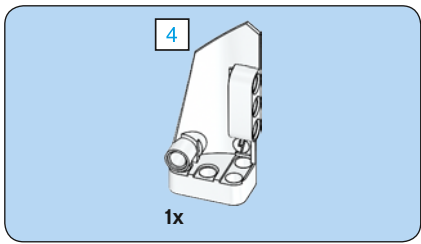




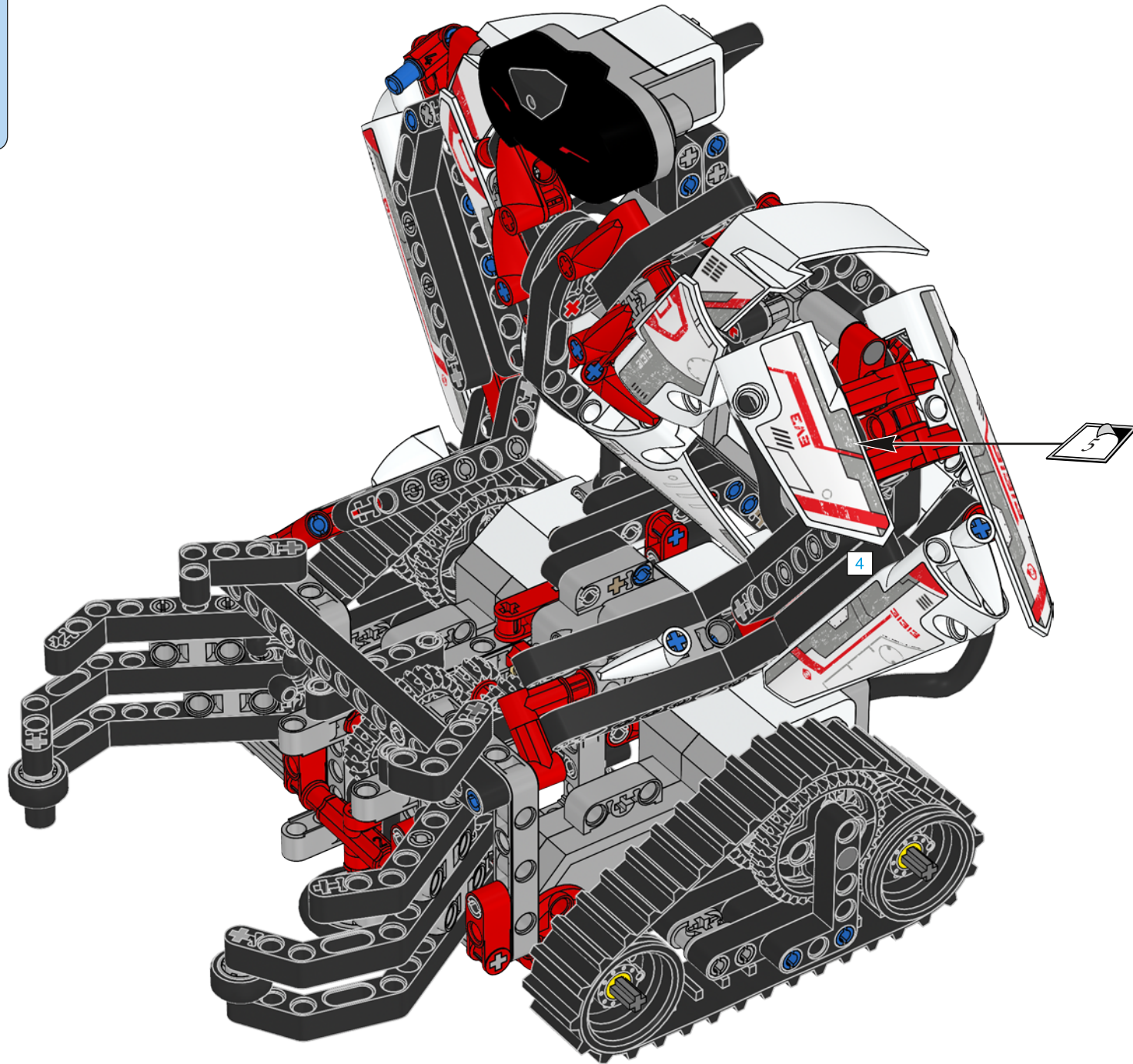
48

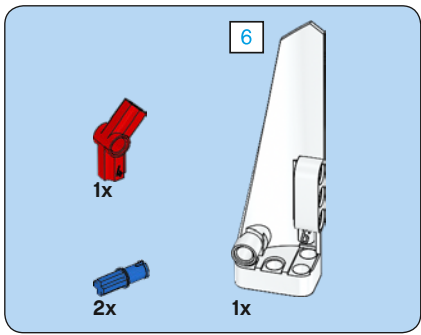




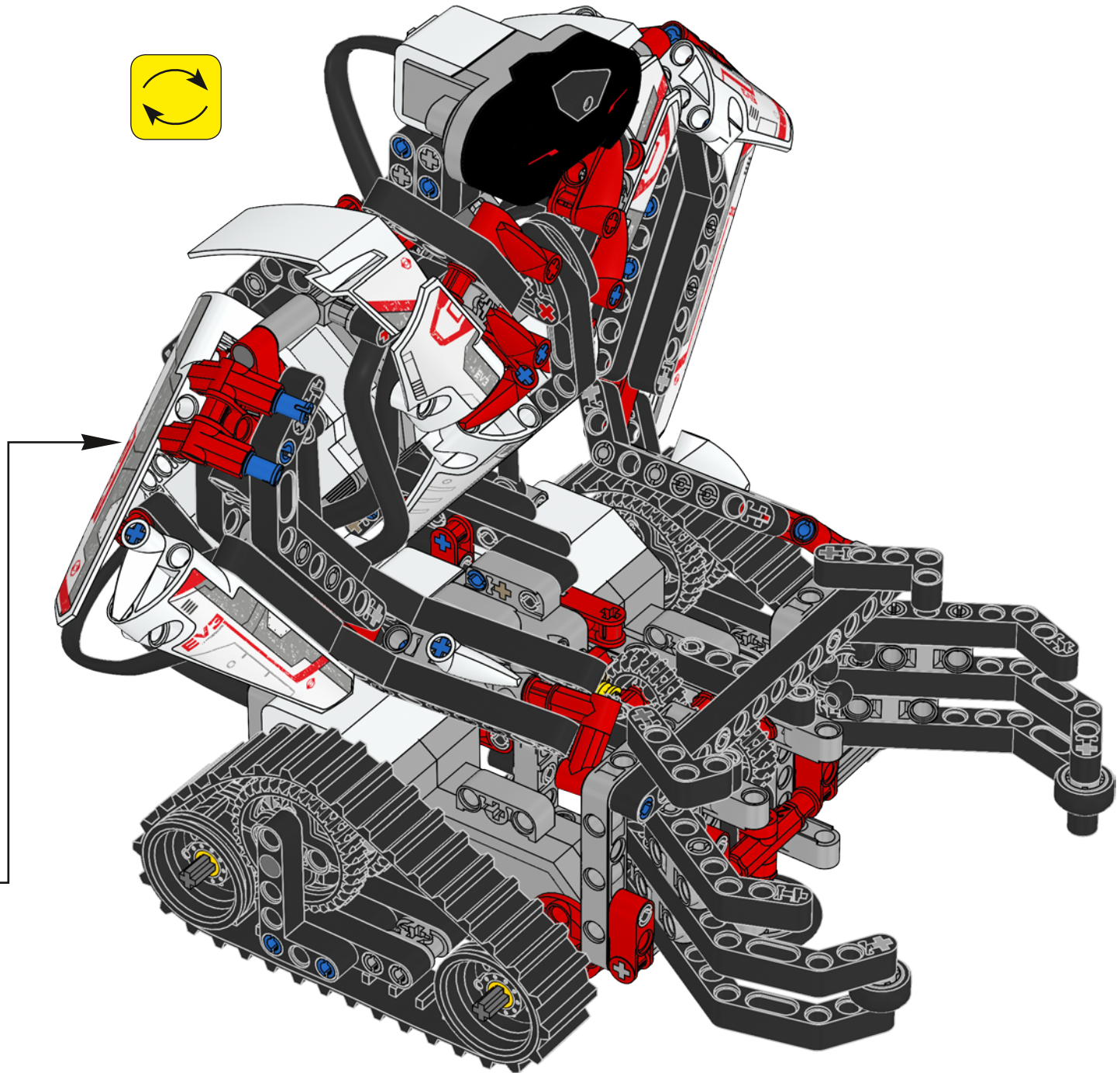
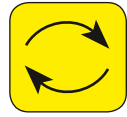
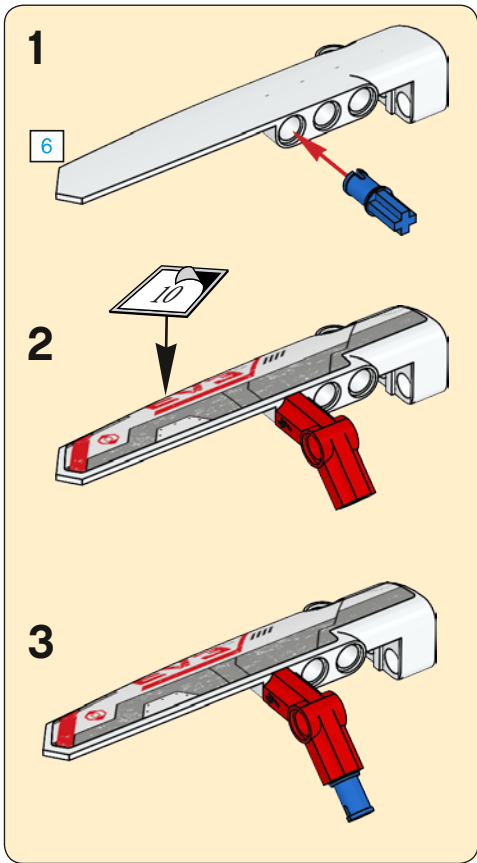


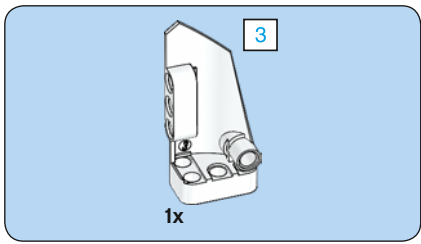
49



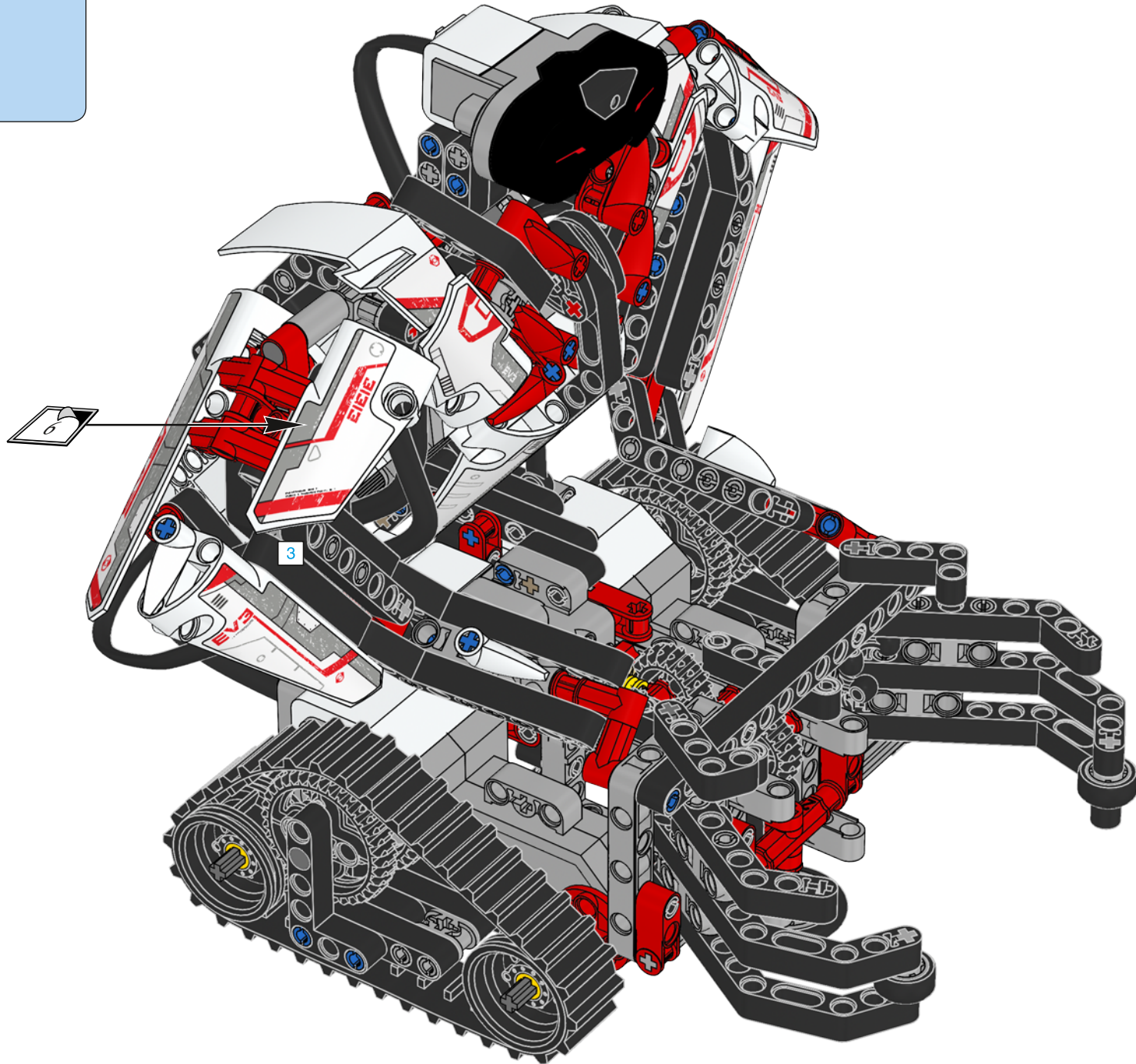


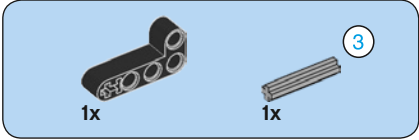
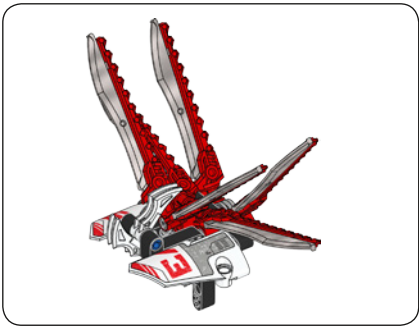
50



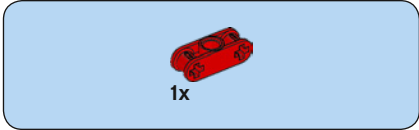


51

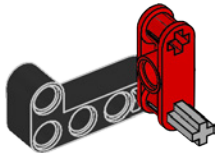




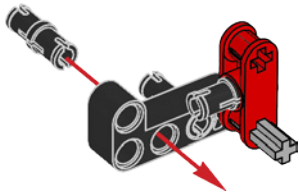
1



2

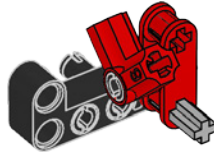


3

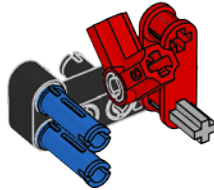




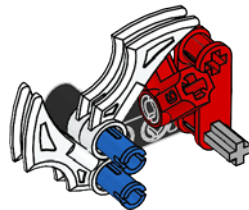
4

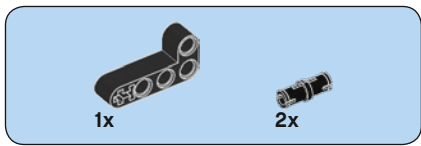


5

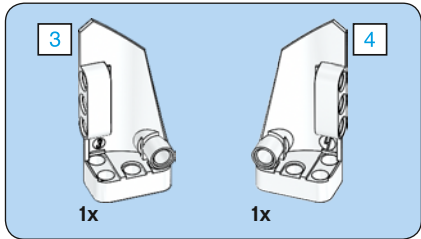
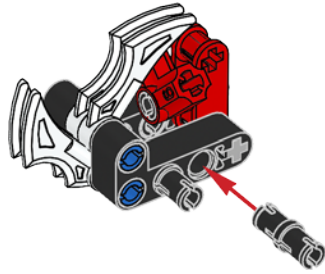


6

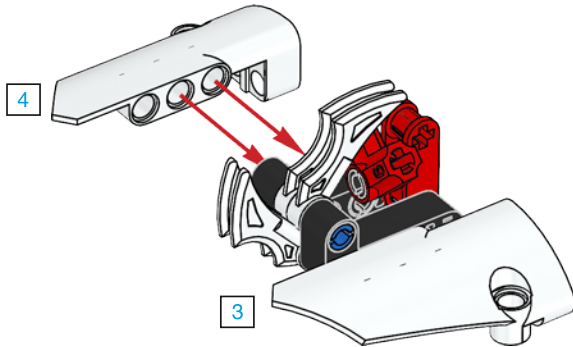




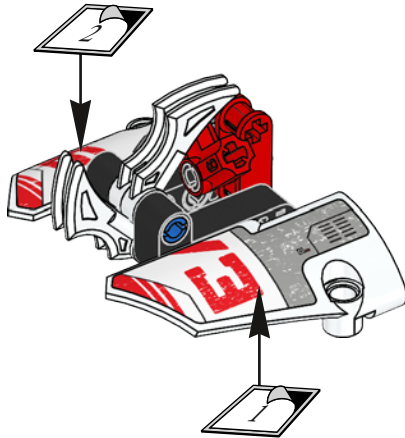
7



8

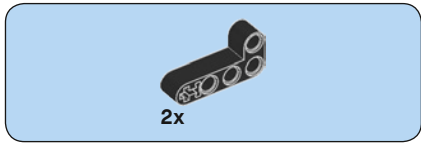
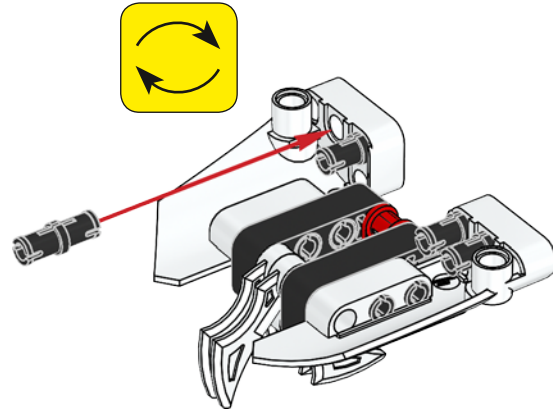


9

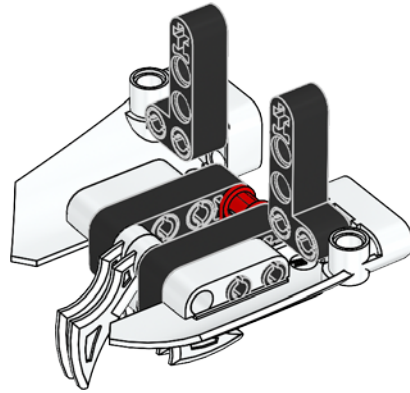




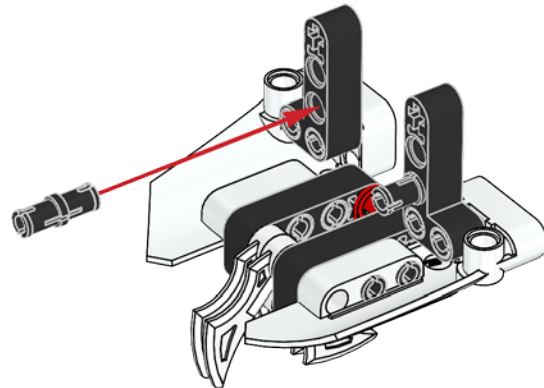
10

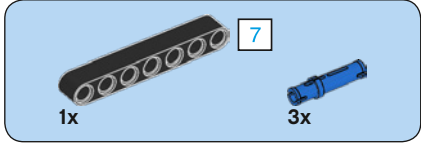
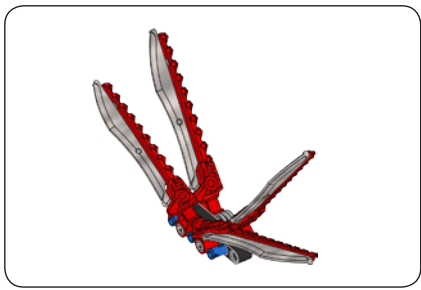


11

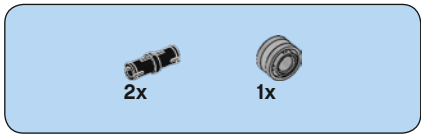
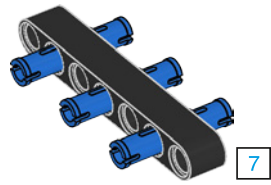


12

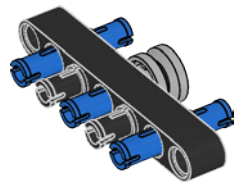




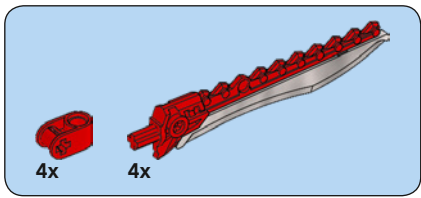
1



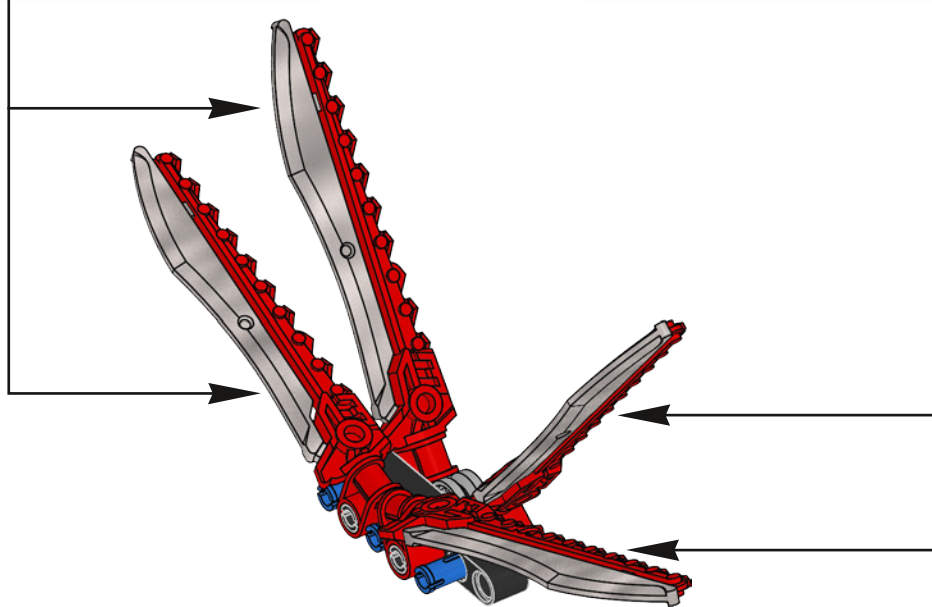
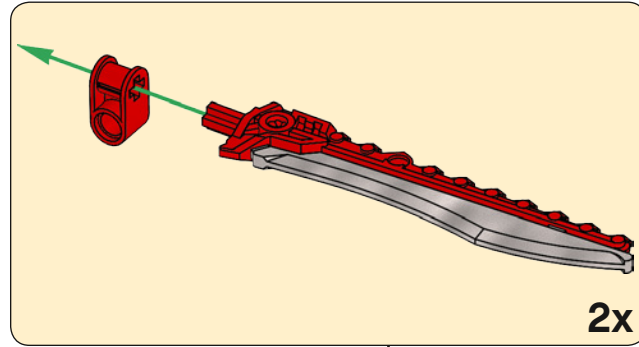
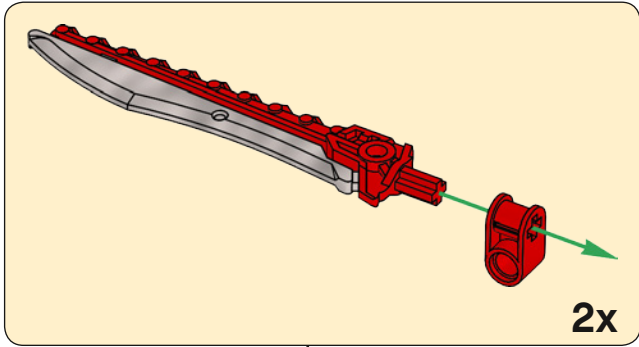
2



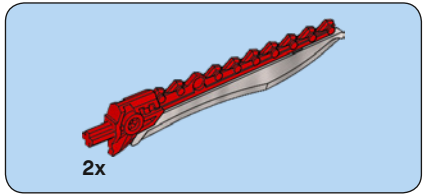
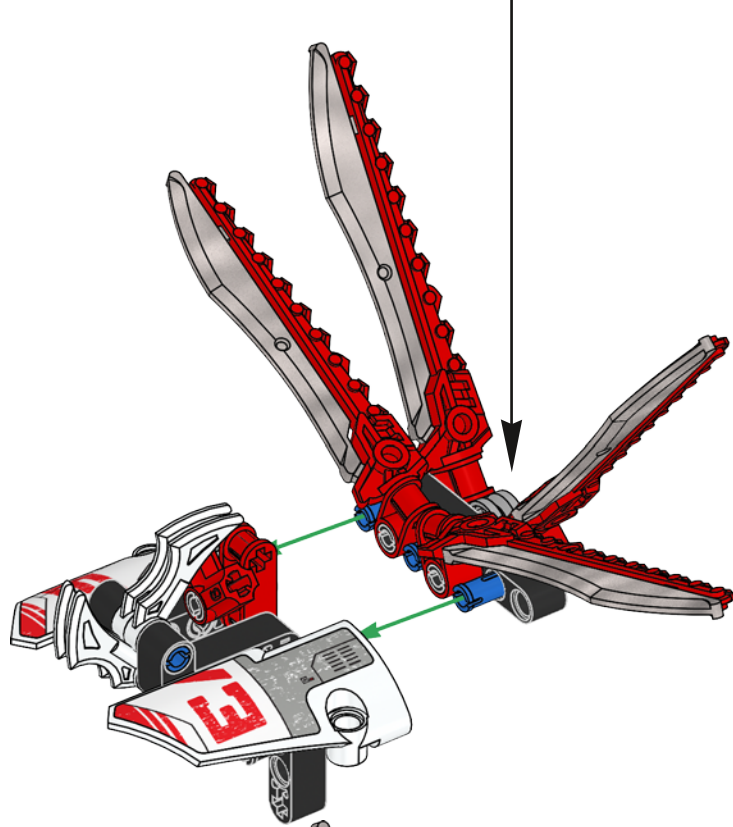




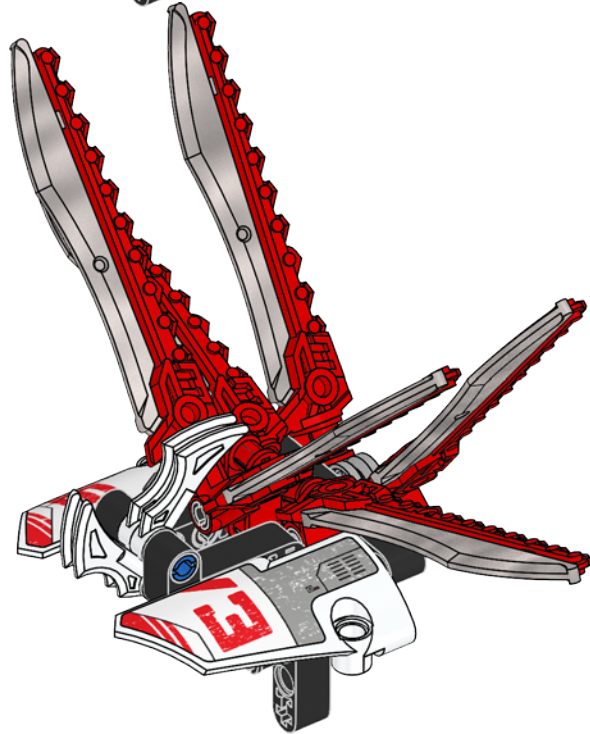
3



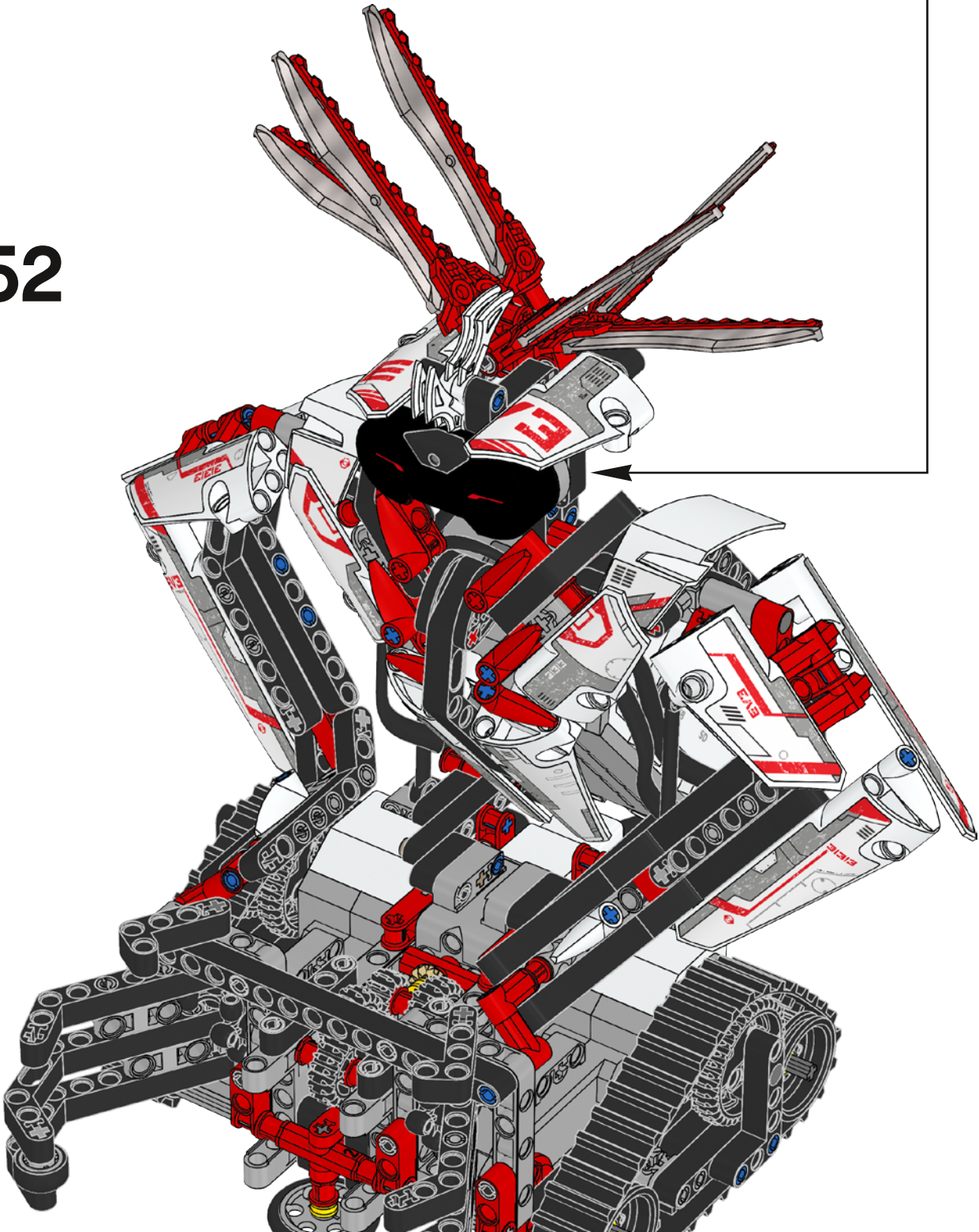
13

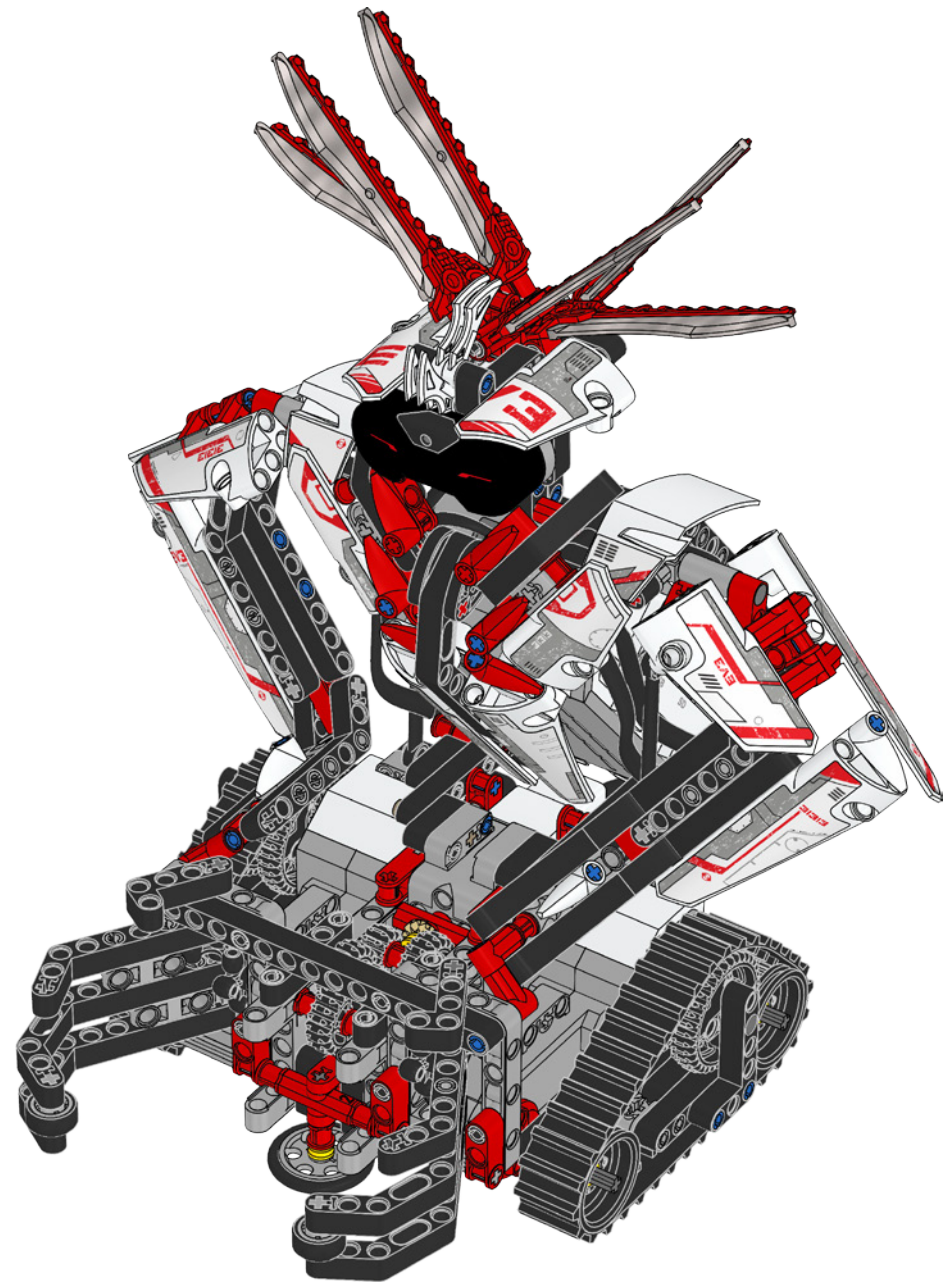


14



52



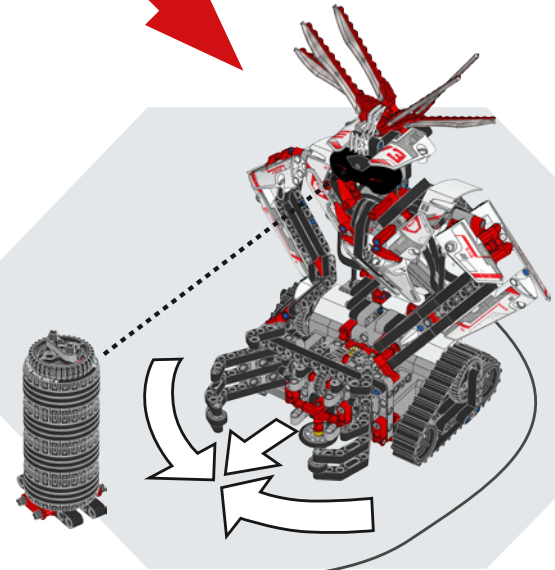




LEGO® MINDSTORMS®  
EV3 Programmer  
The LEGO Group



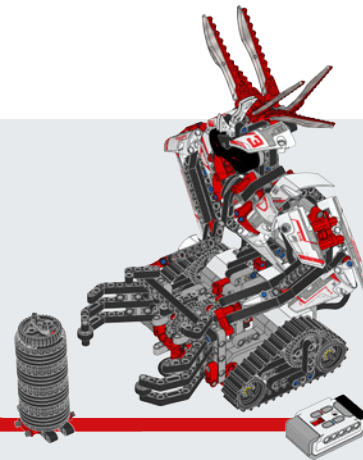
# MISSION 03

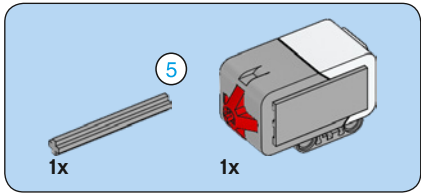
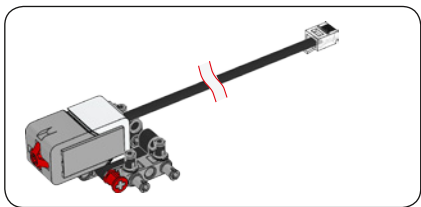


[LEGO.com/mindstorms/software](http://LEGO.com/mindstorms/software)

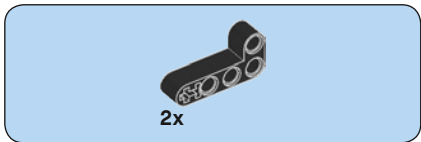
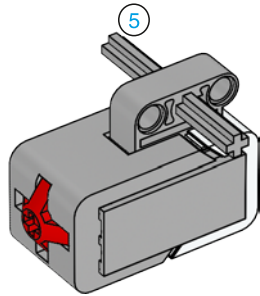


# MISSION 04

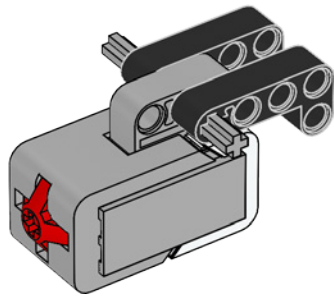


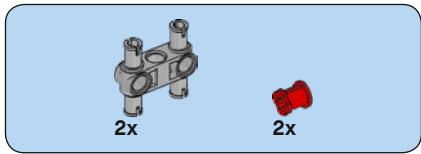


1

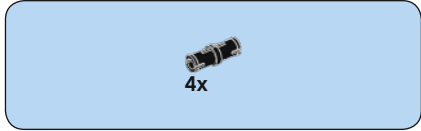
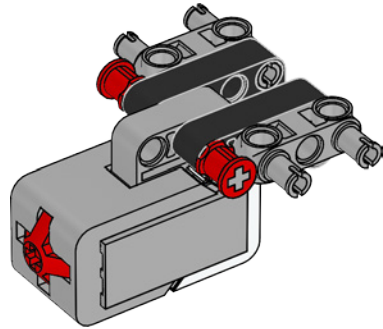


2

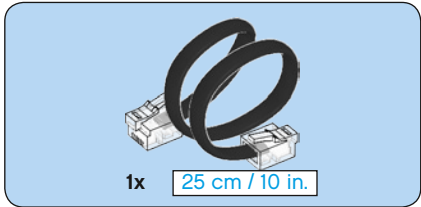
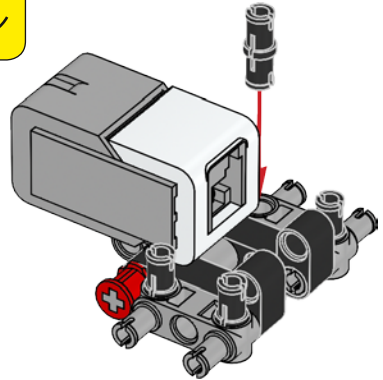




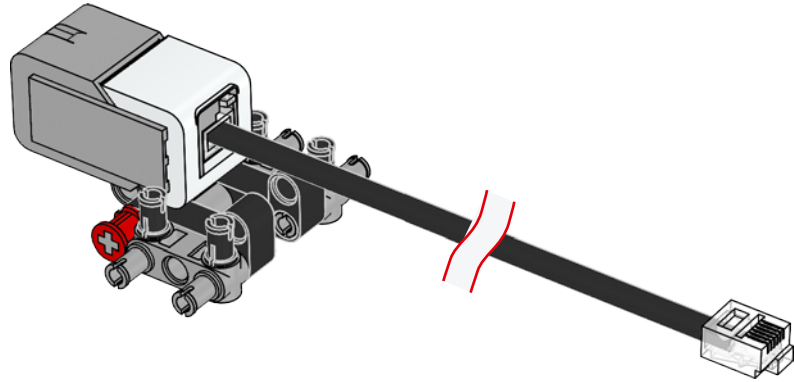
3



4

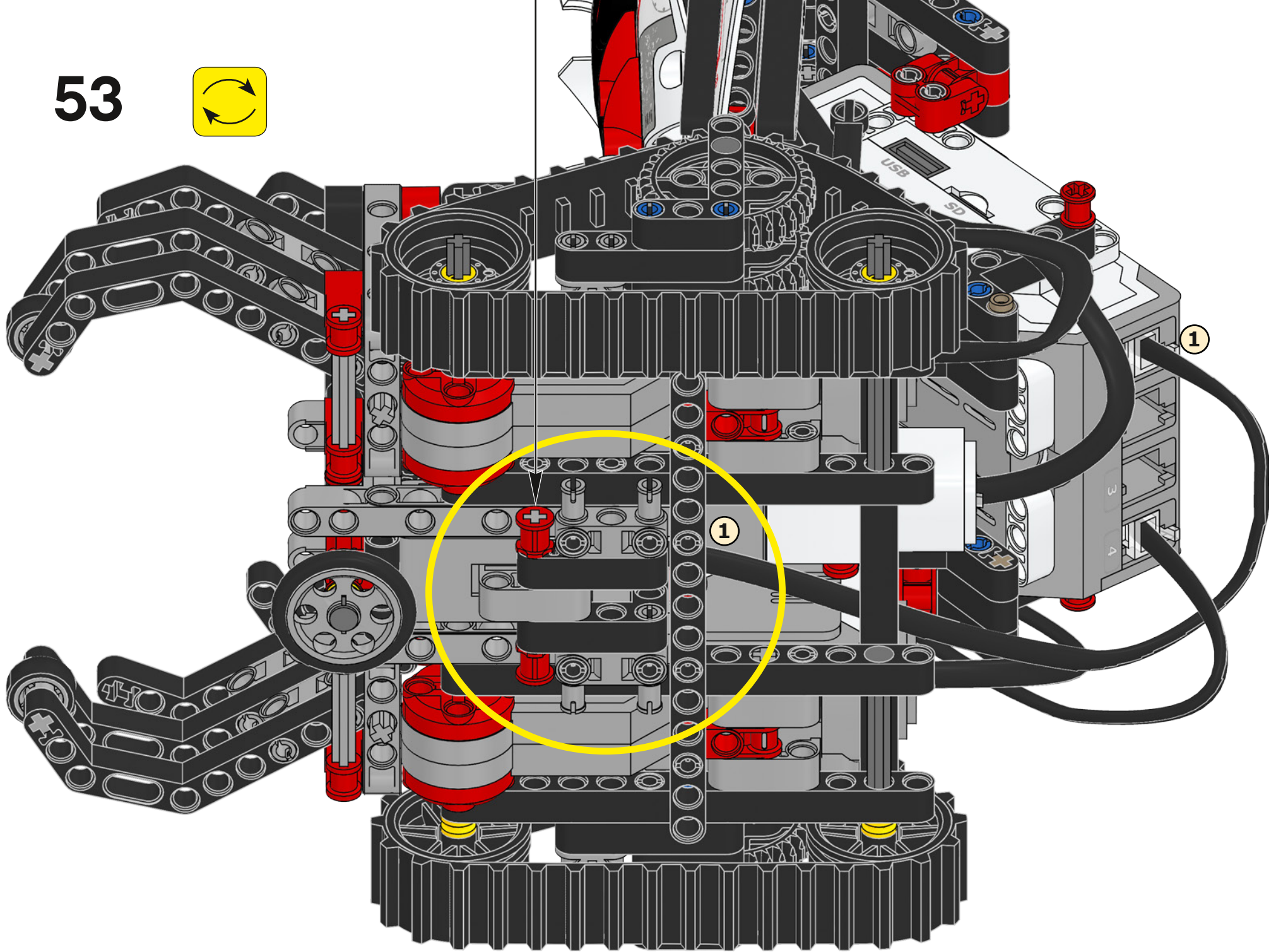


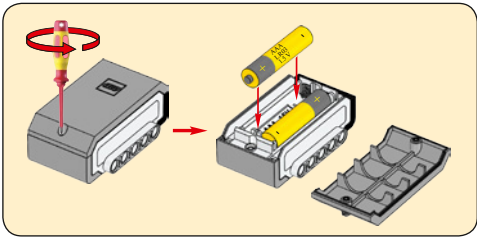
5





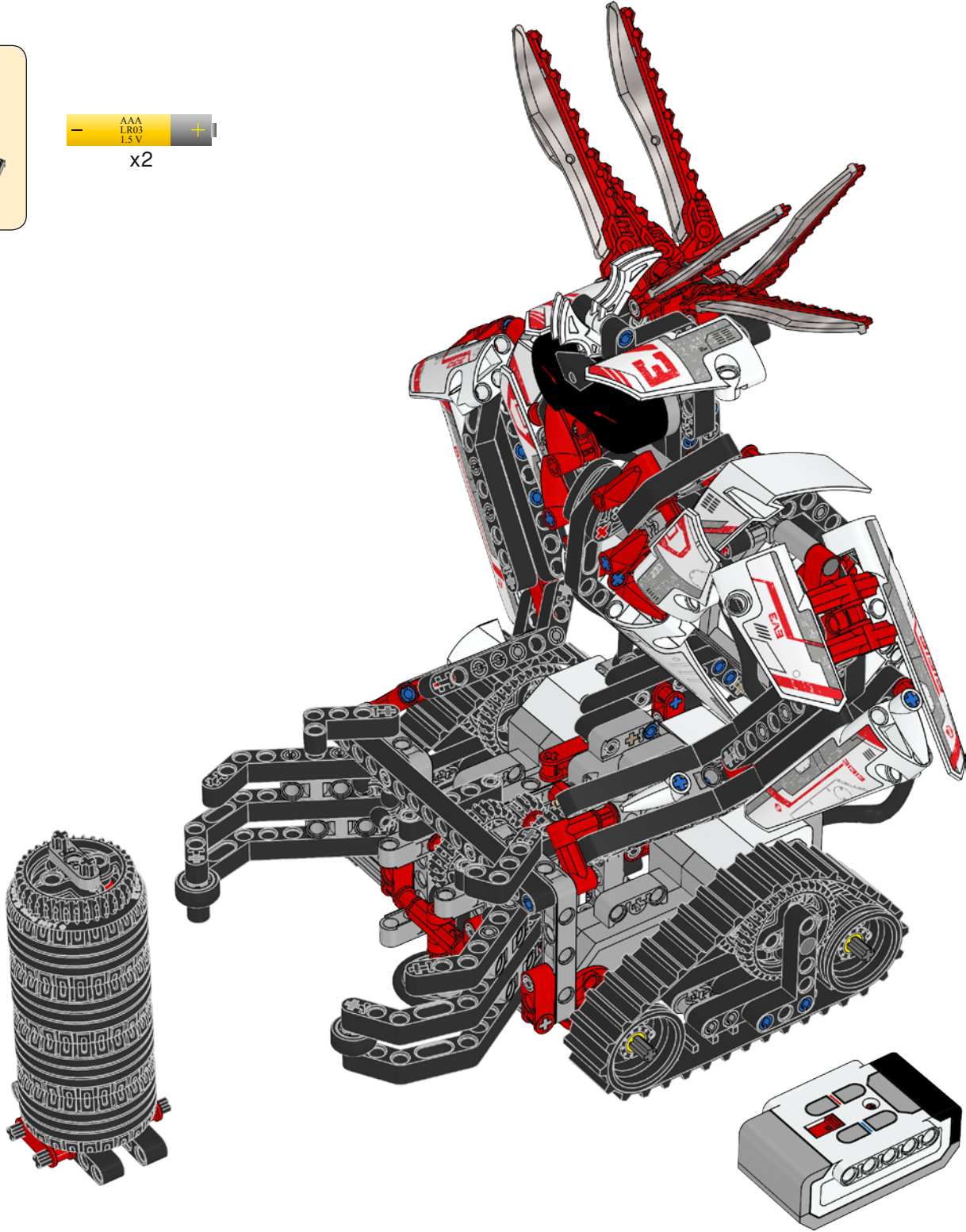
53





AAA  
LR03  
1.5 V

x2





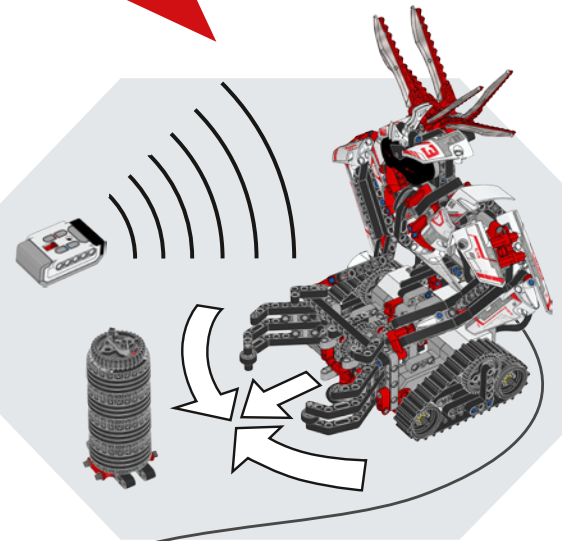
Download on the App Store



GET IT ON Google play



LEGO® MINDSTORMS®  
EV3 Programmer  
The LEGO Group



# MISSION 04



[LEGO.com/mindstorms/software](http://LEGO.com/mindstorms/software)



