



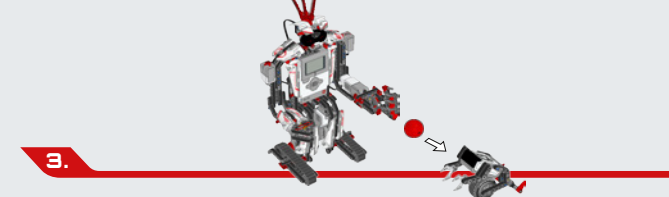
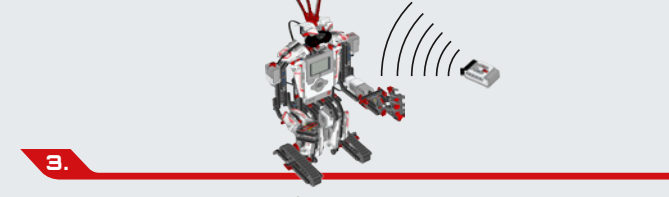
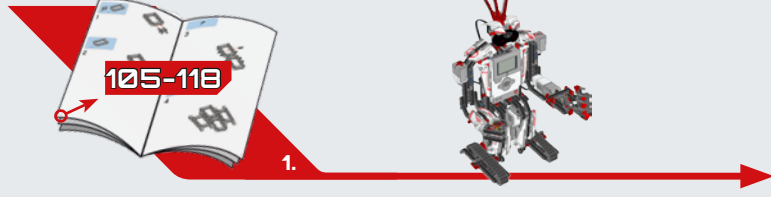
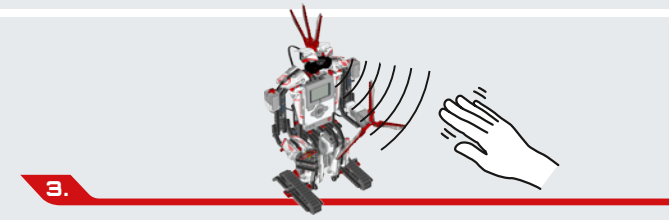
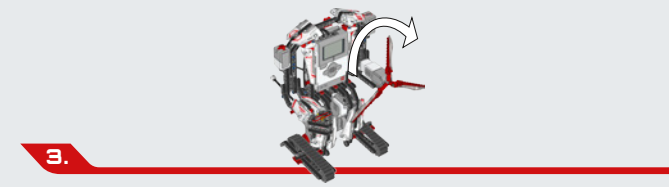
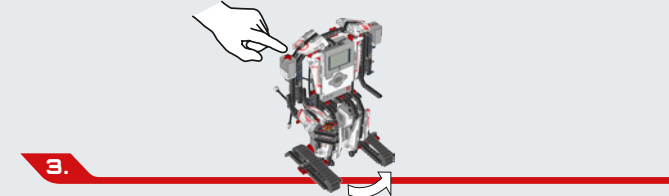
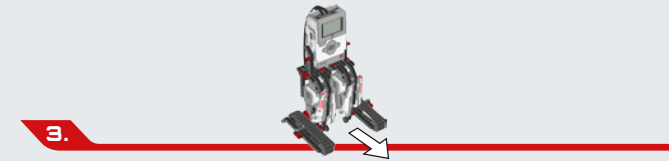
MINDSTORMS

EV3



31313

EV3RSTORM

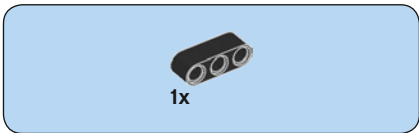
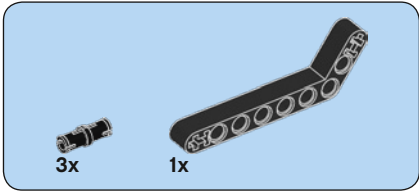
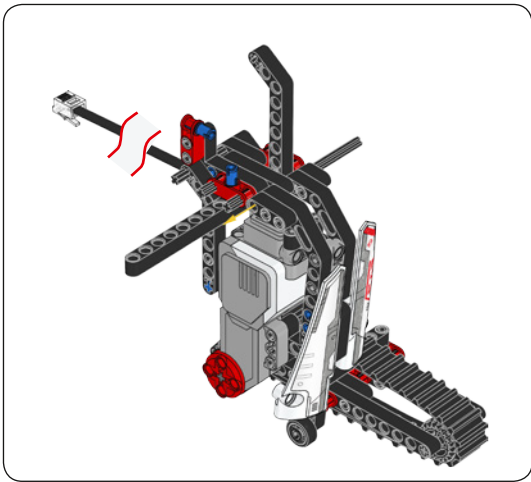


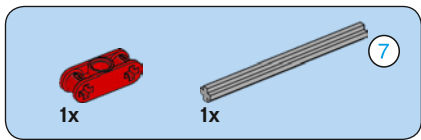
MISSION 01



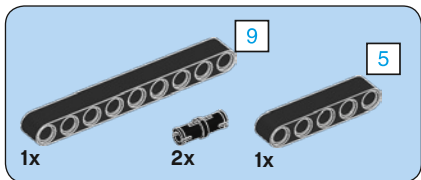
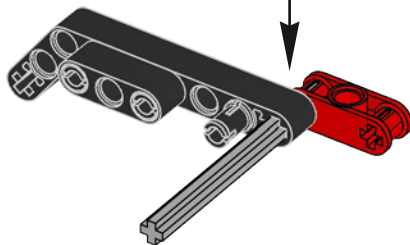
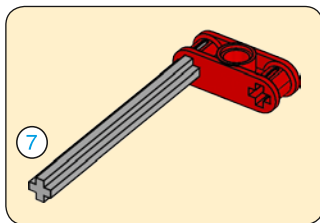
3-53



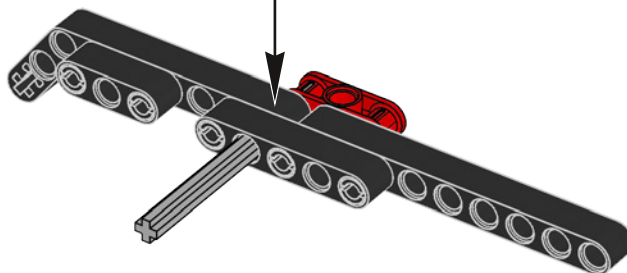
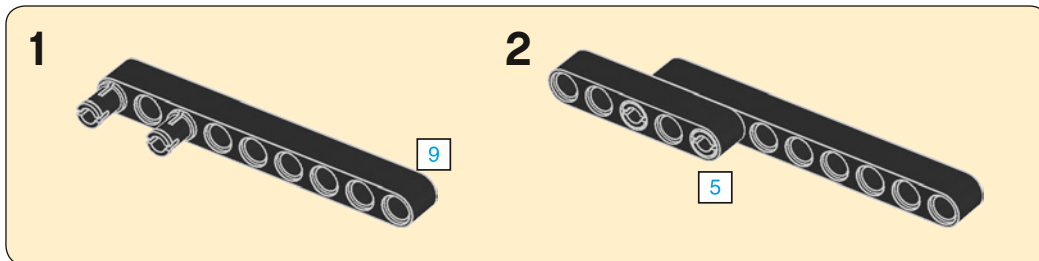


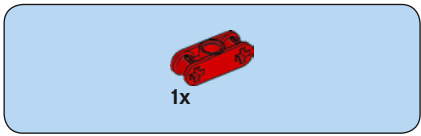


3

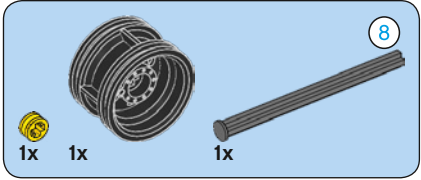
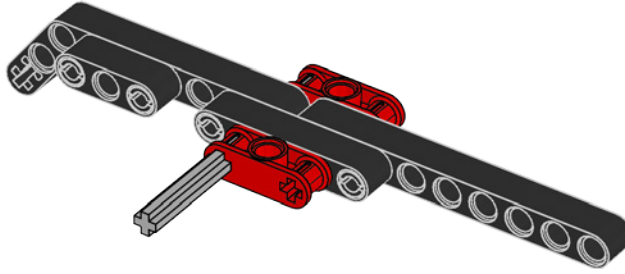


4

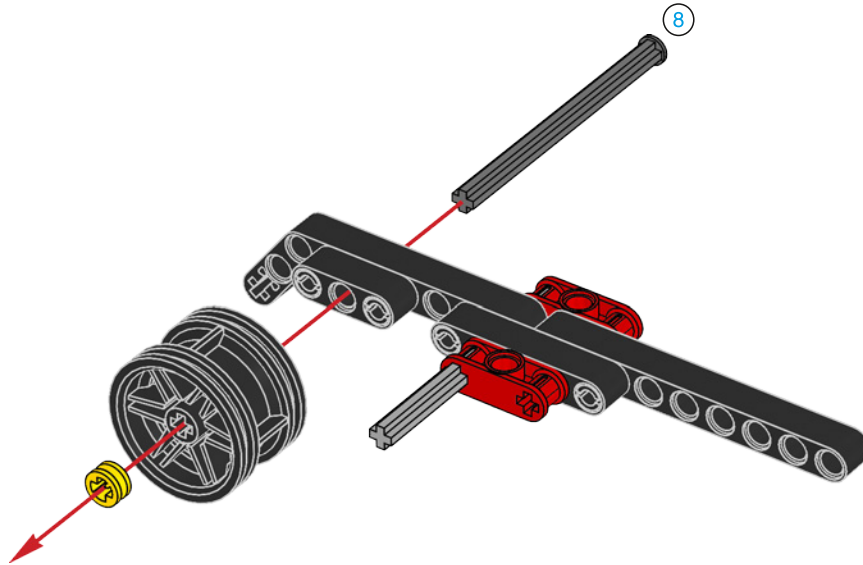


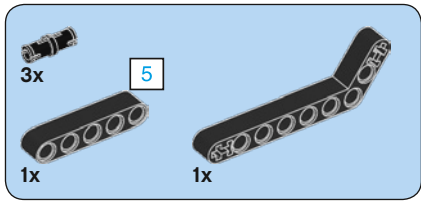


5

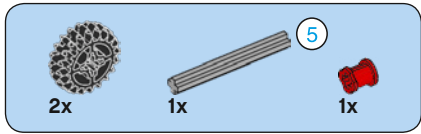
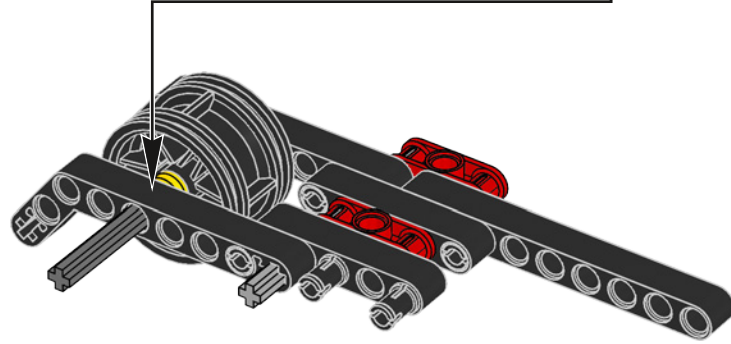
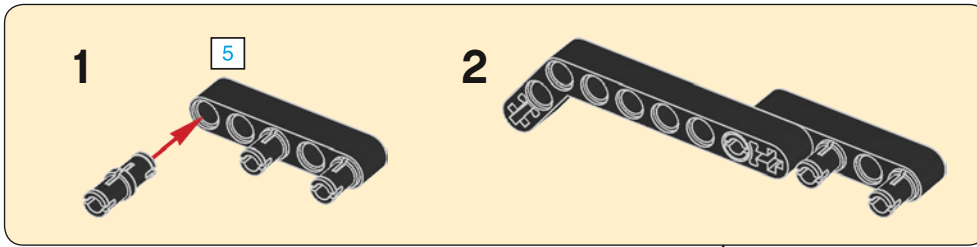


6

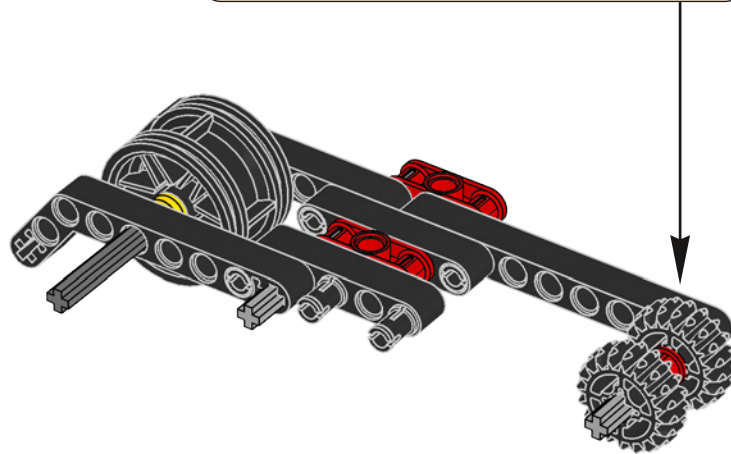
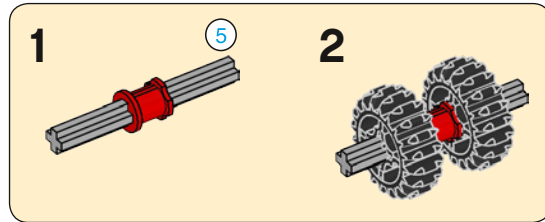


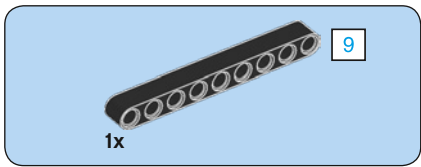


7

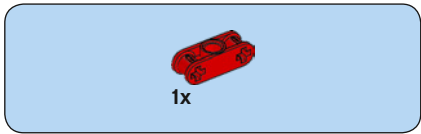
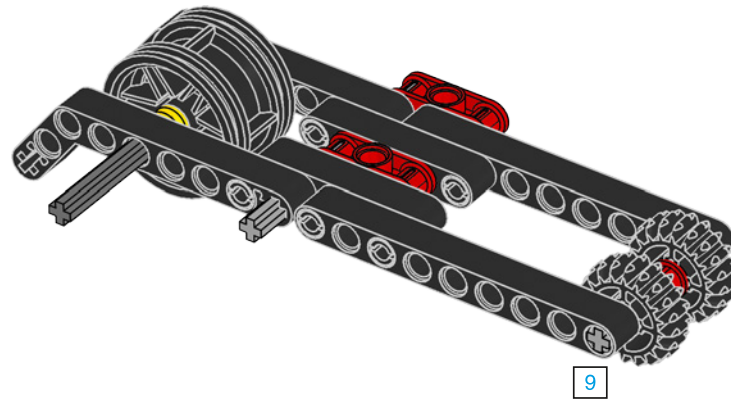


8

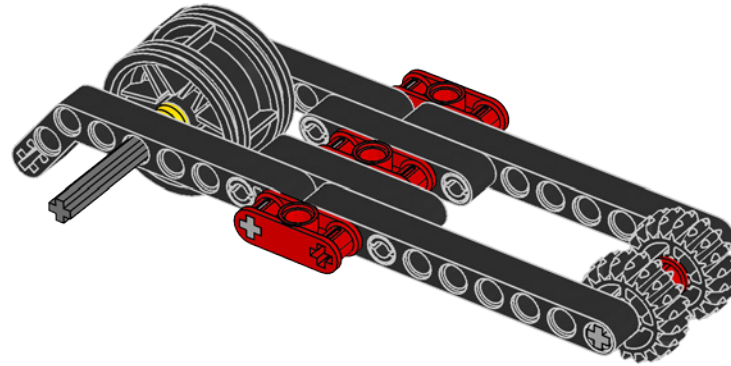




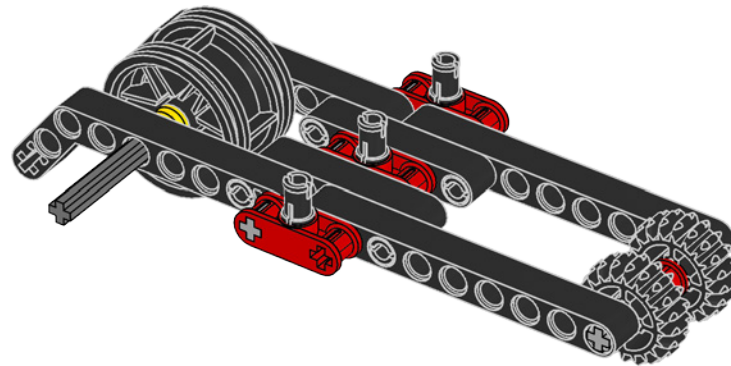
9

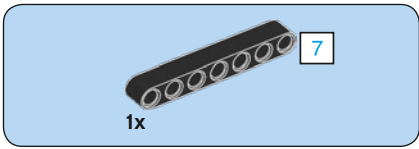


10

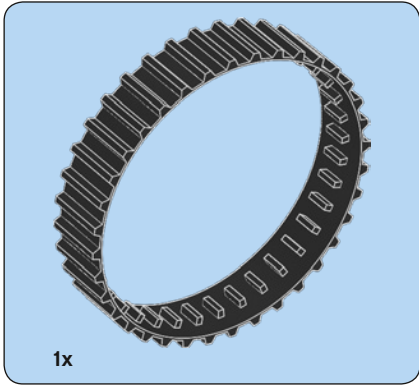
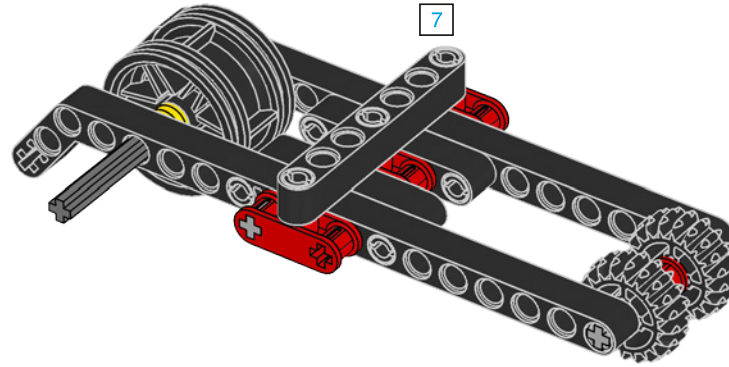


11

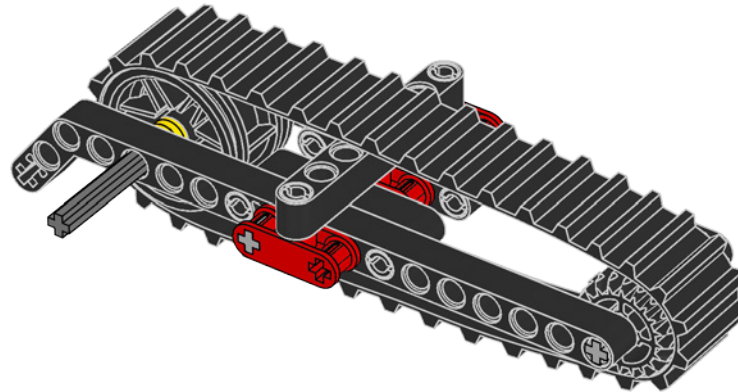


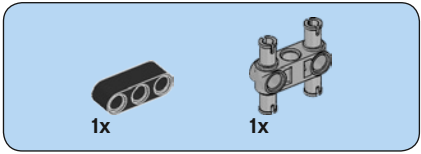
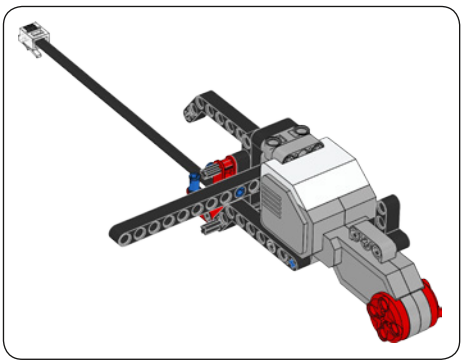


12

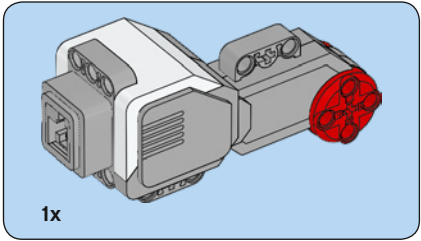
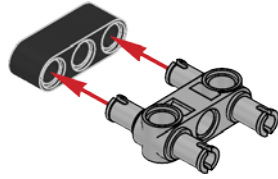


13

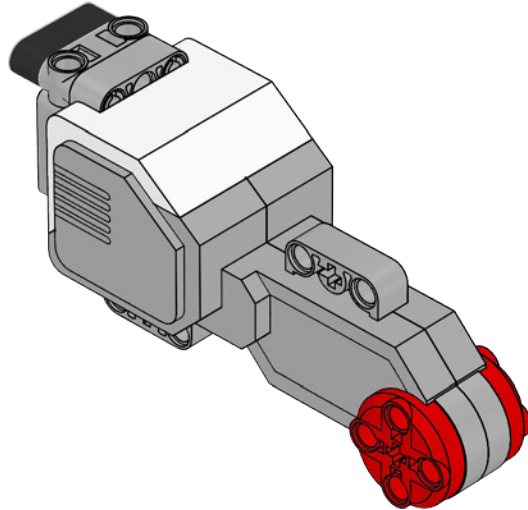


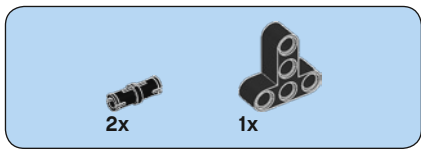


1

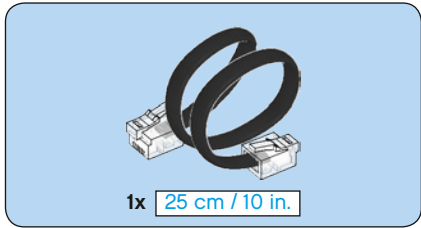
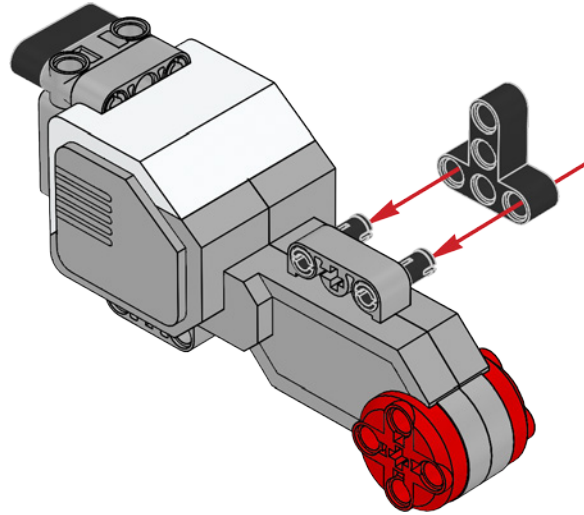


2

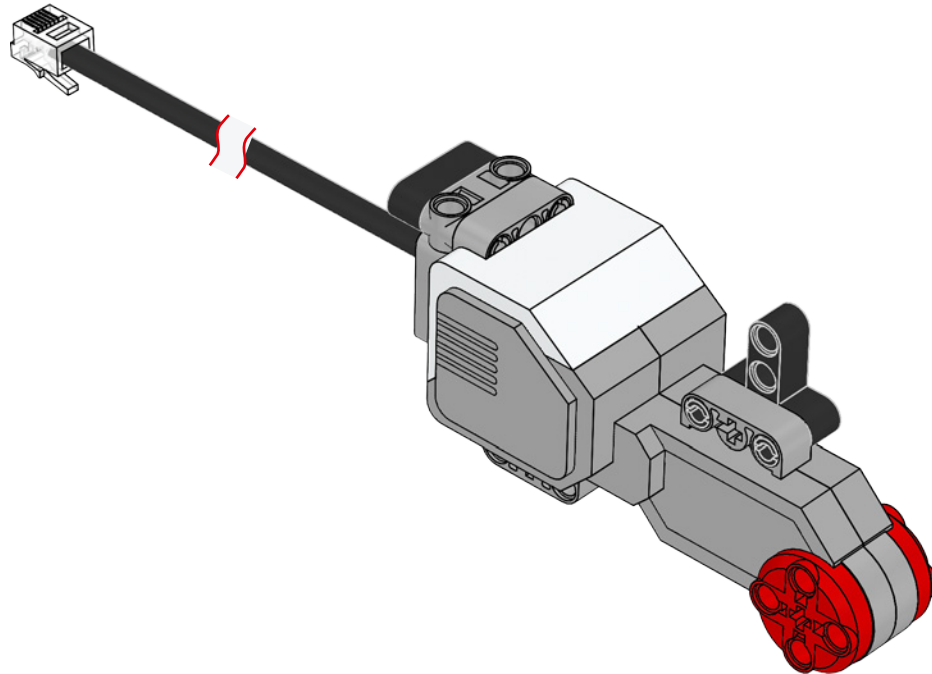


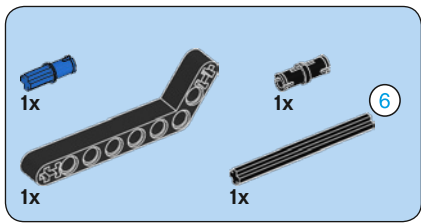


3

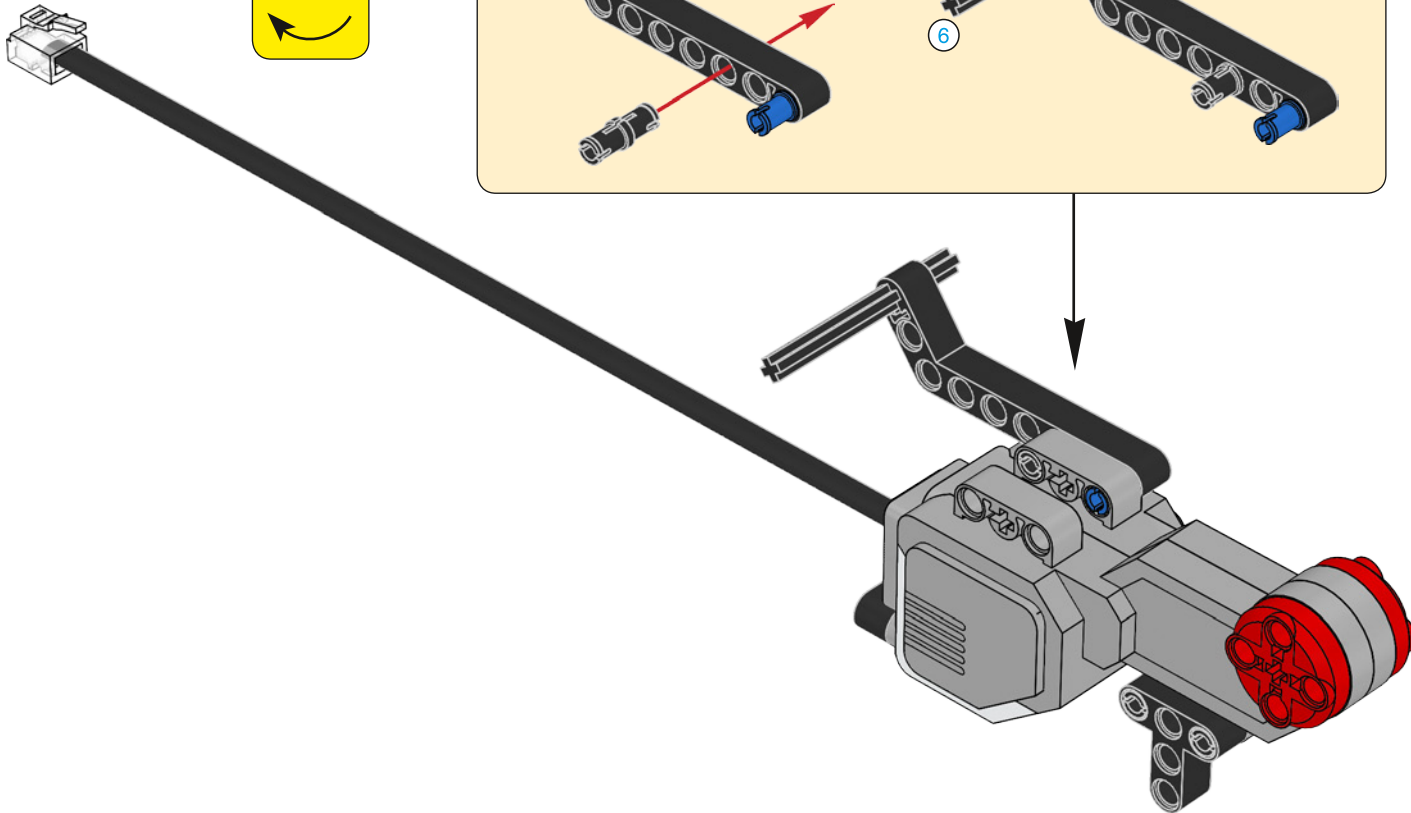
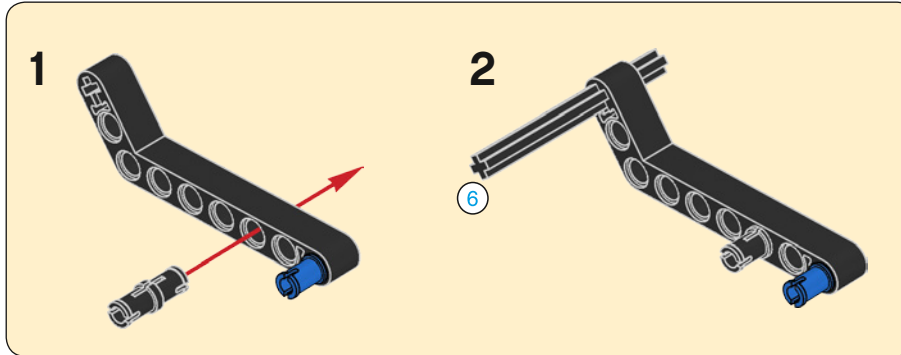


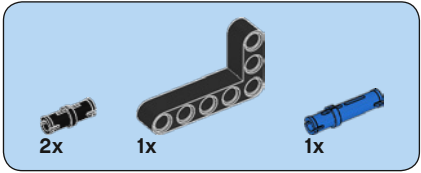
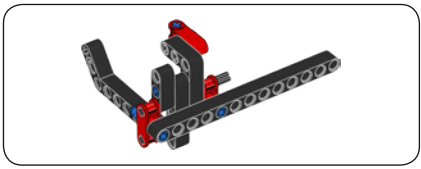
4



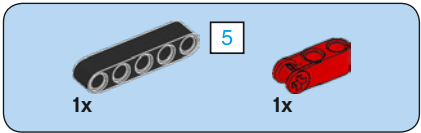
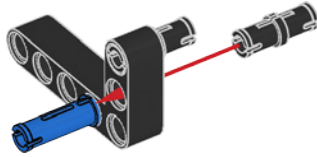


5

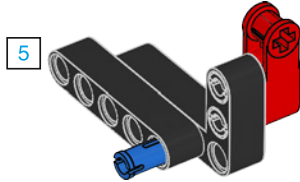




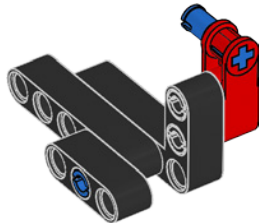
1

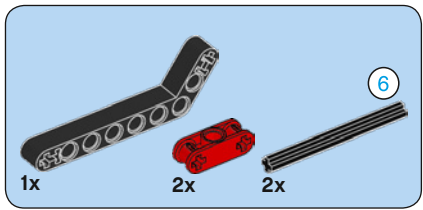


2

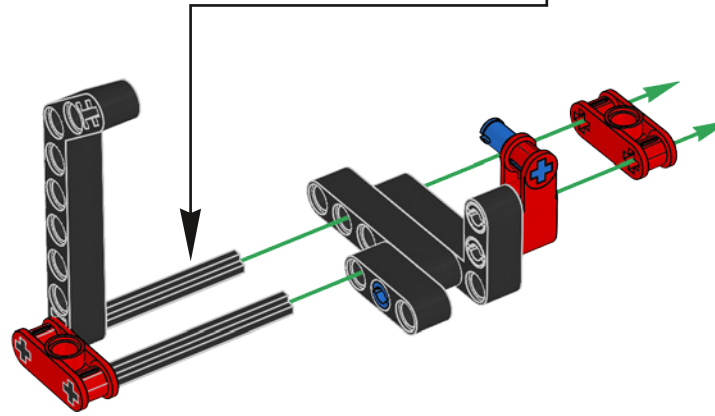
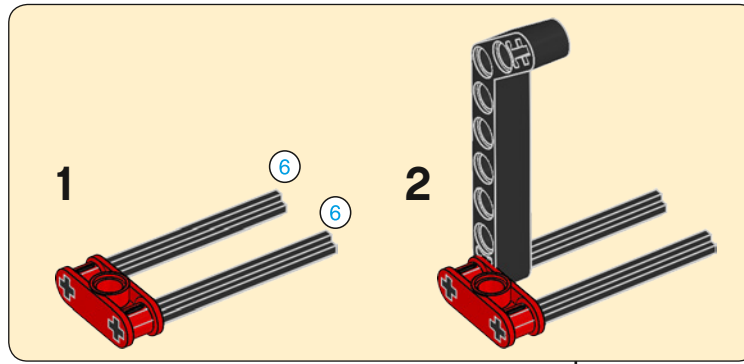


3

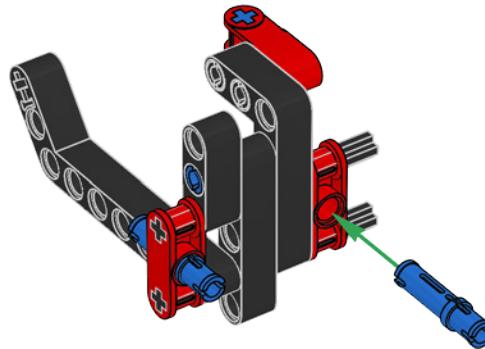


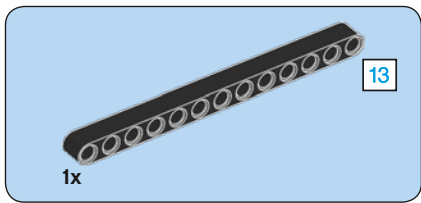


4

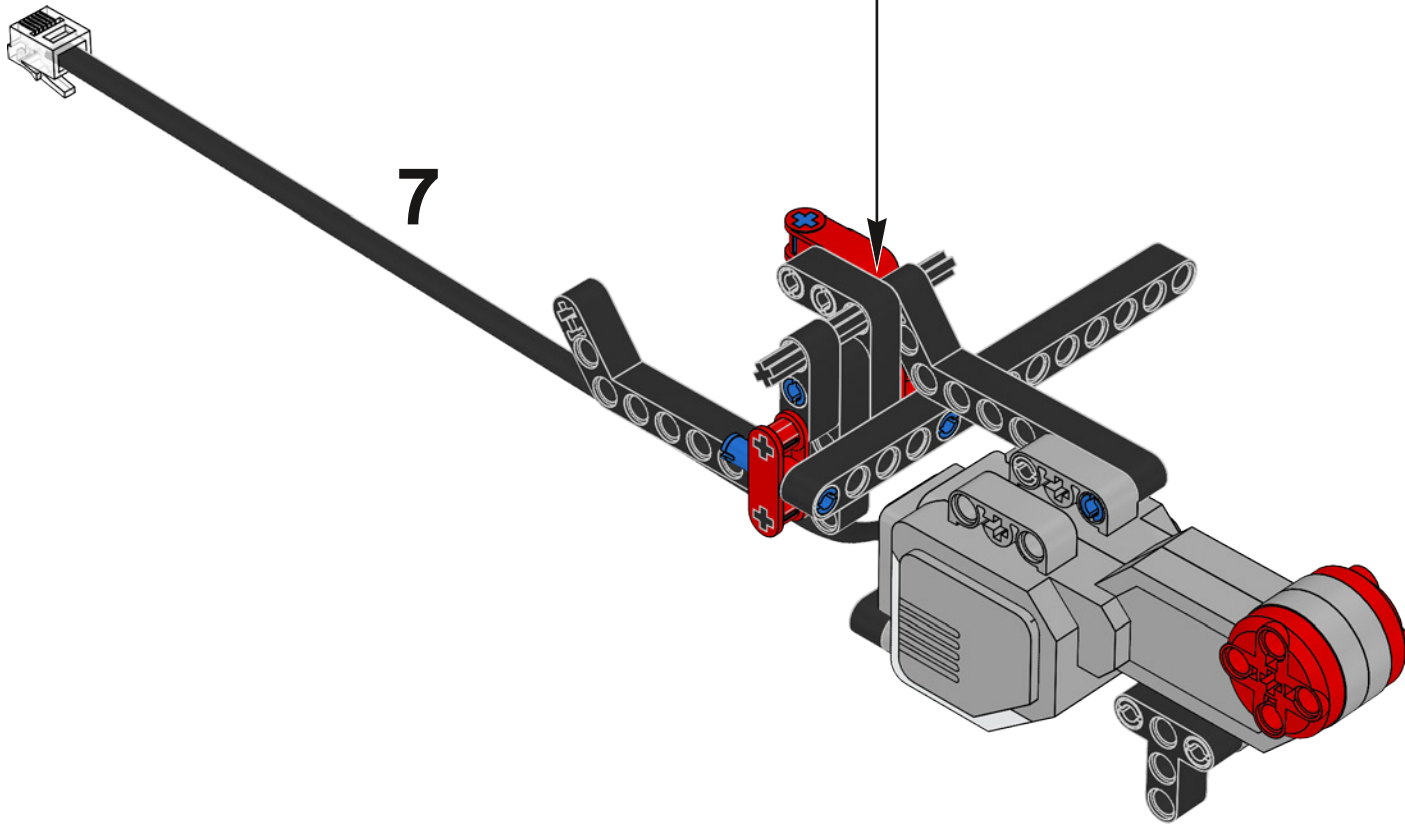
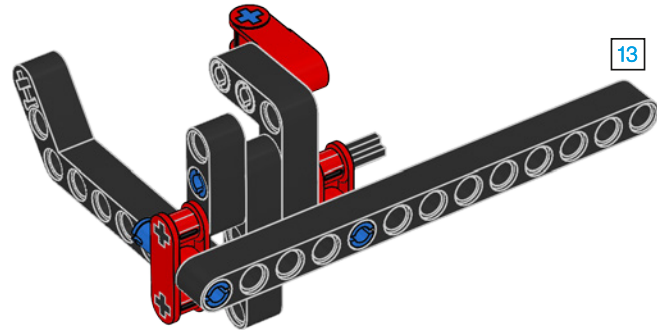


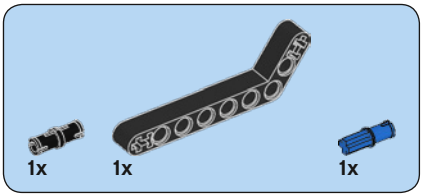
5



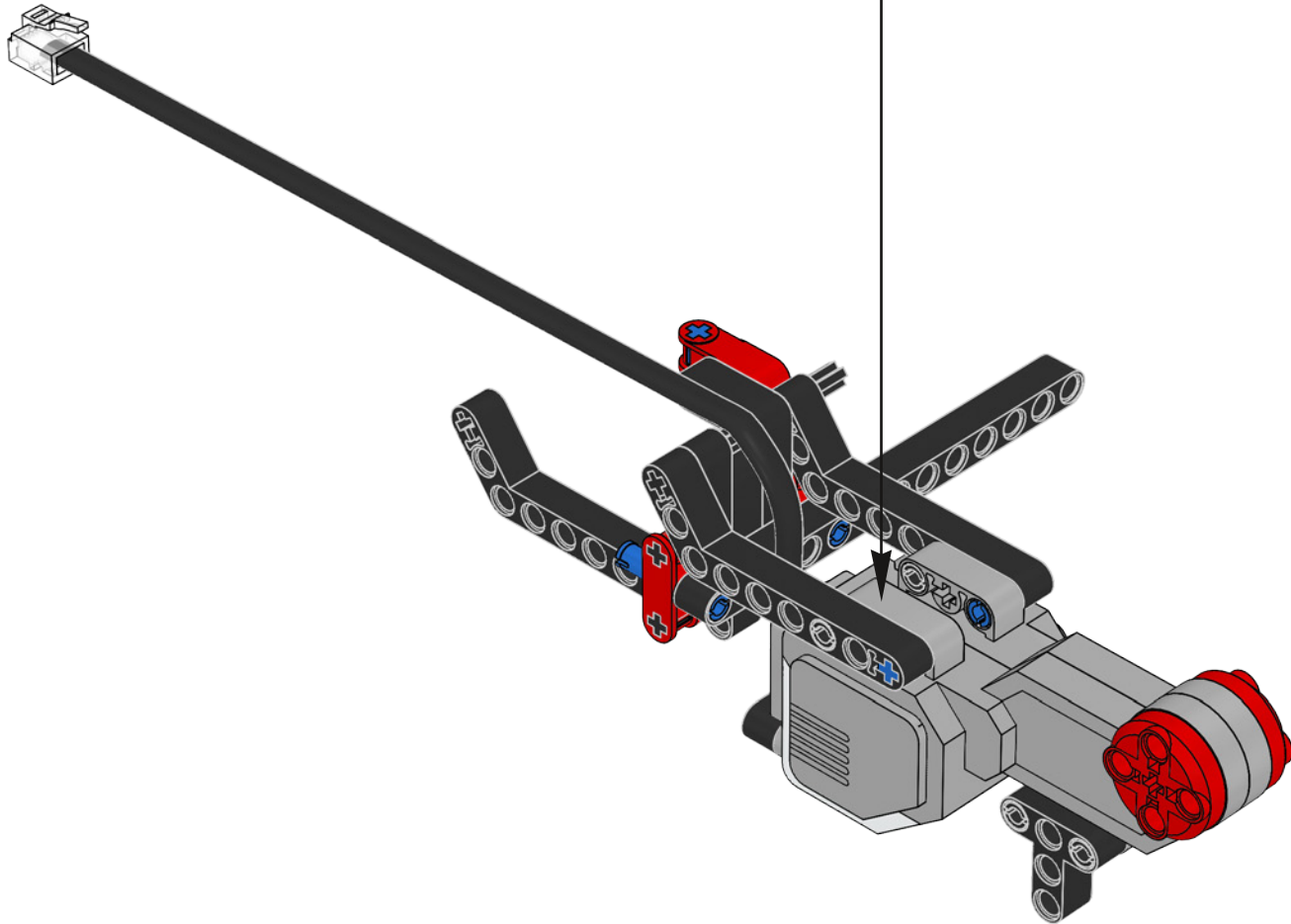
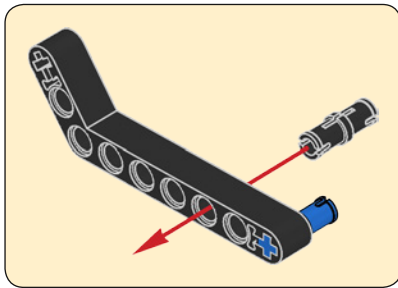


6

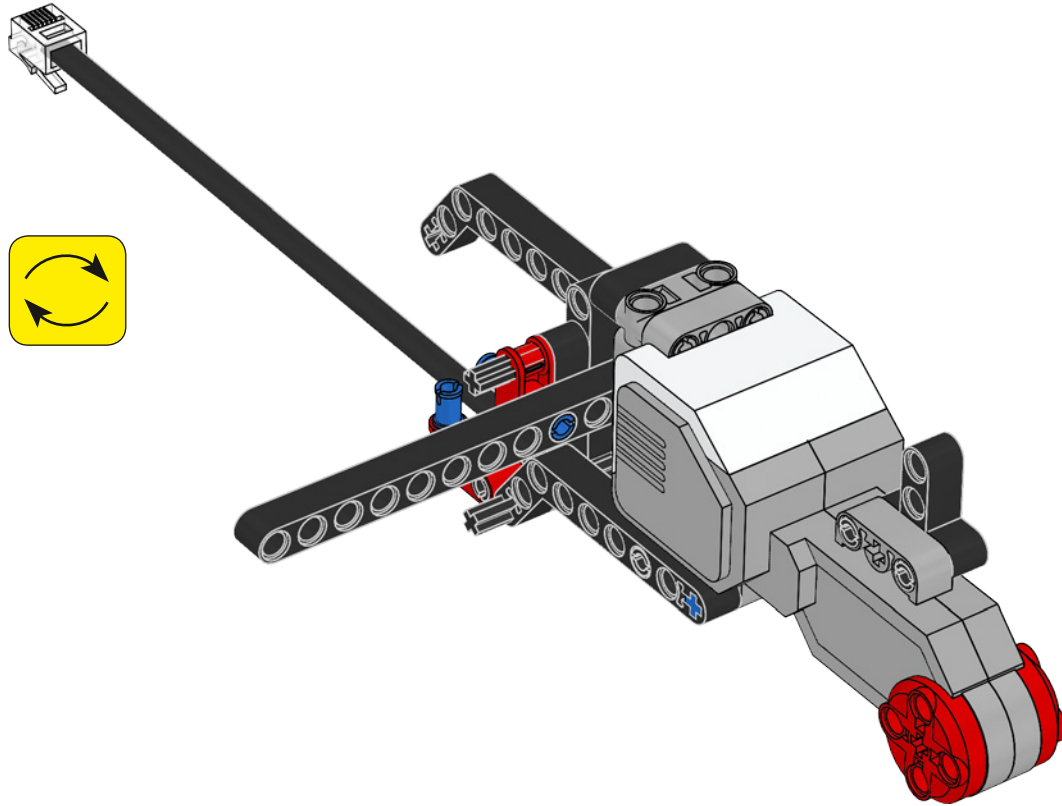




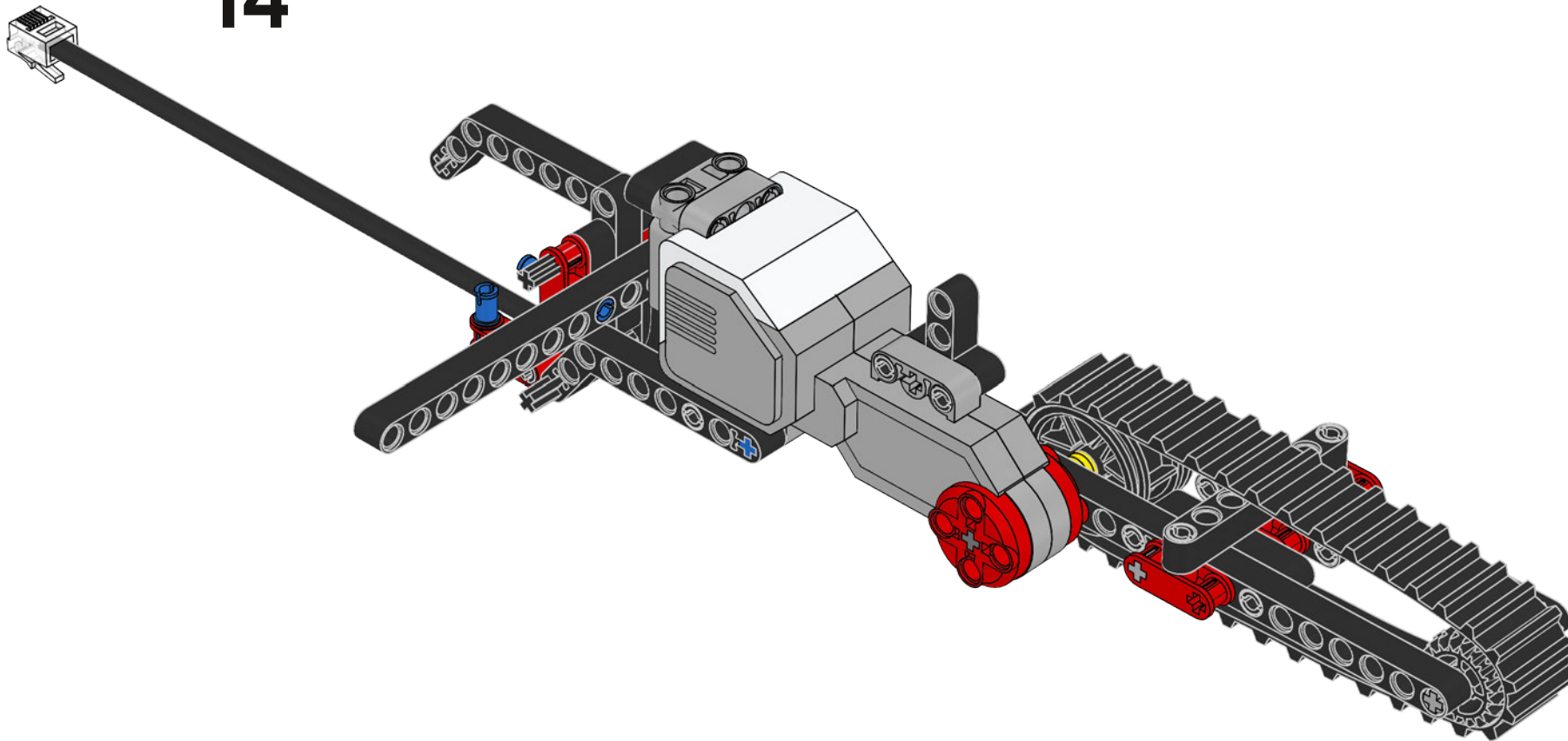
8

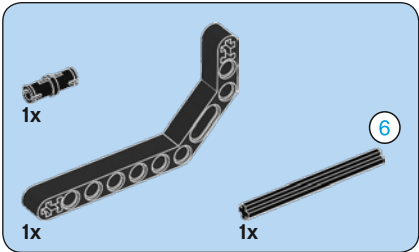
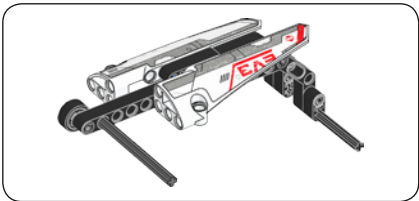


9

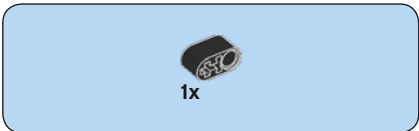
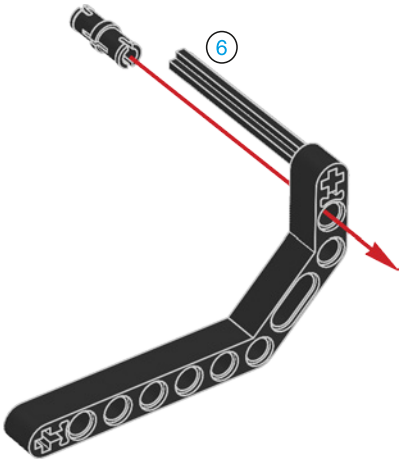


14

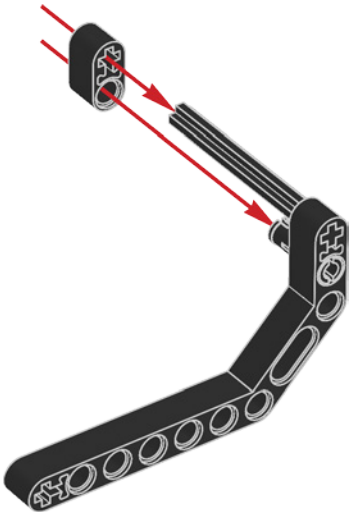


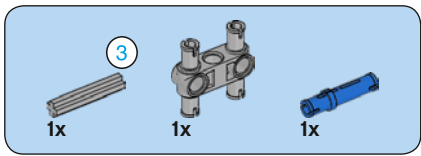


1

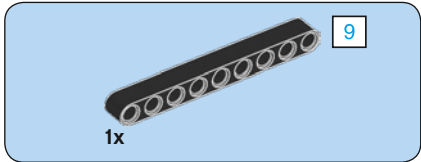
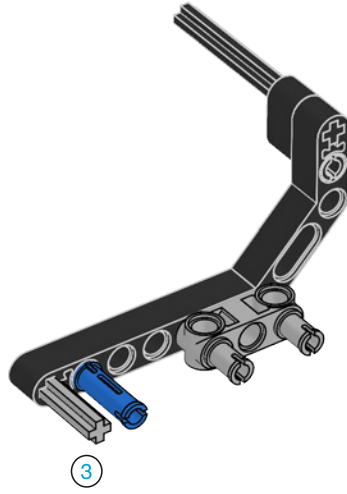


2

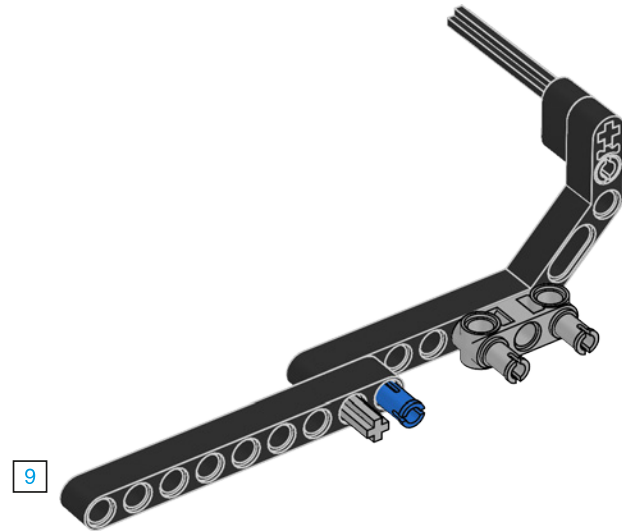


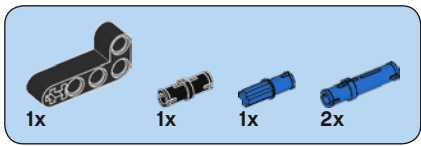


3

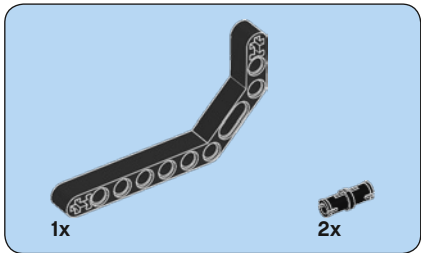
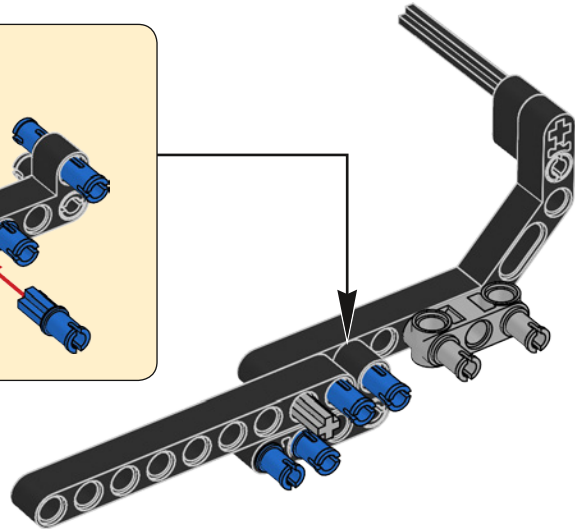
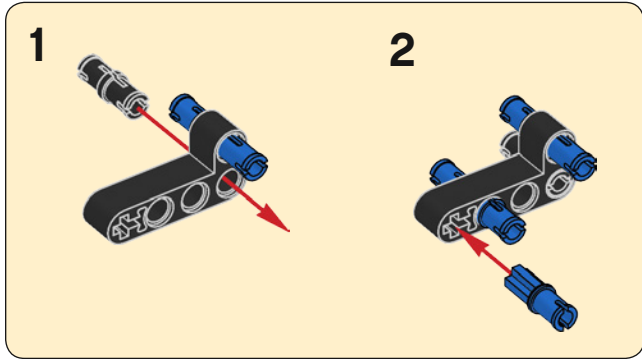


4

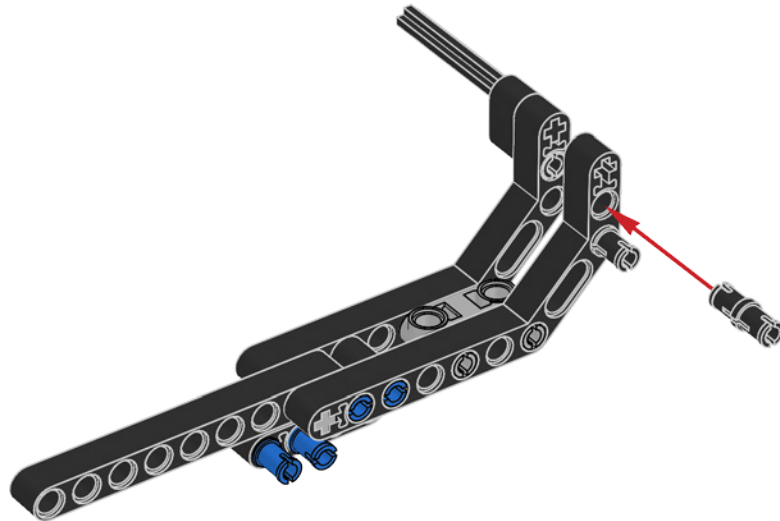


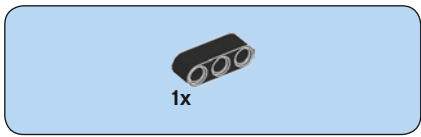


5

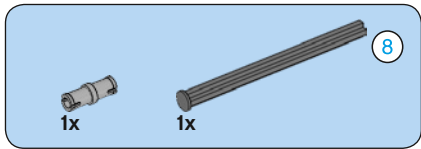
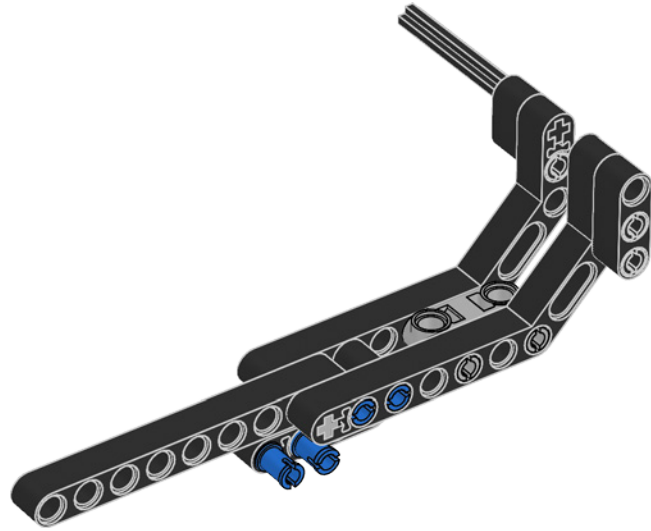


6

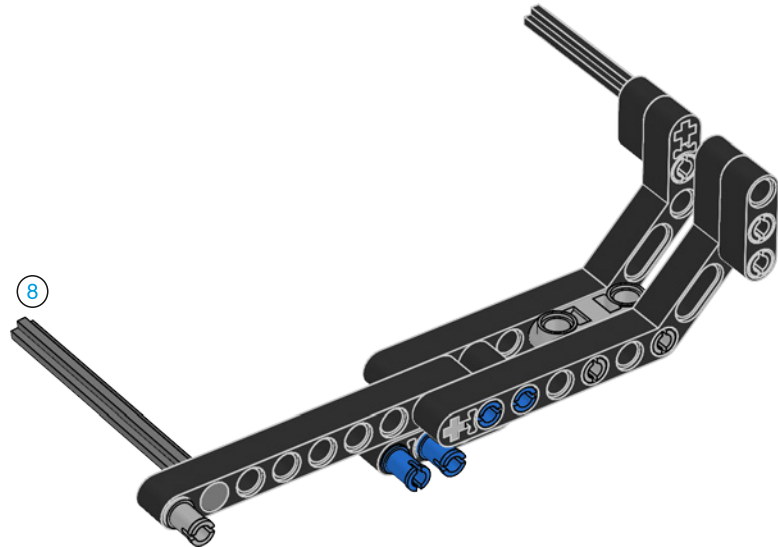


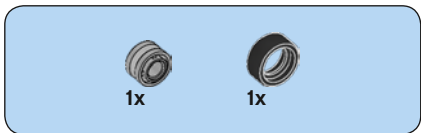


7

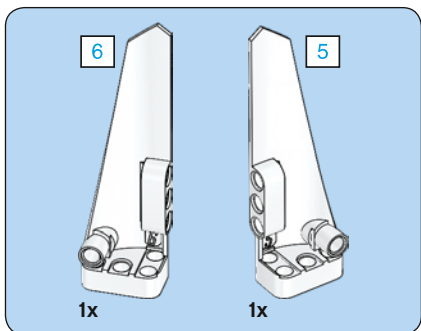
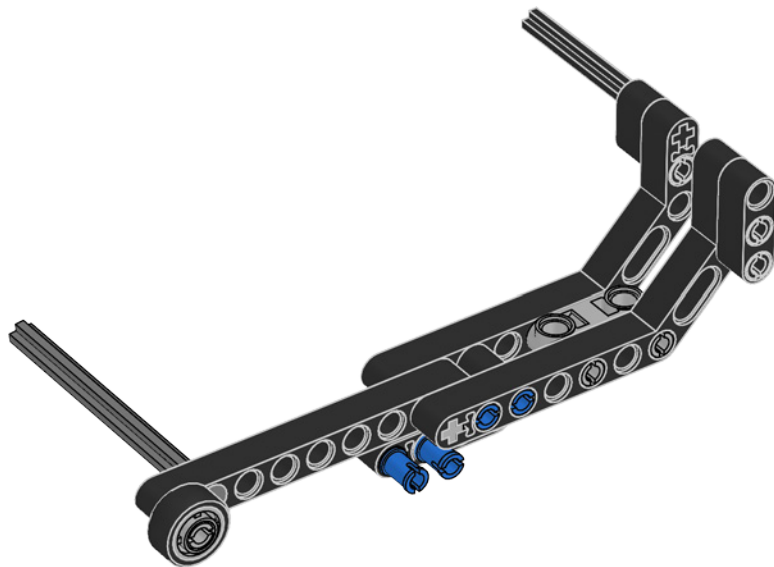


8

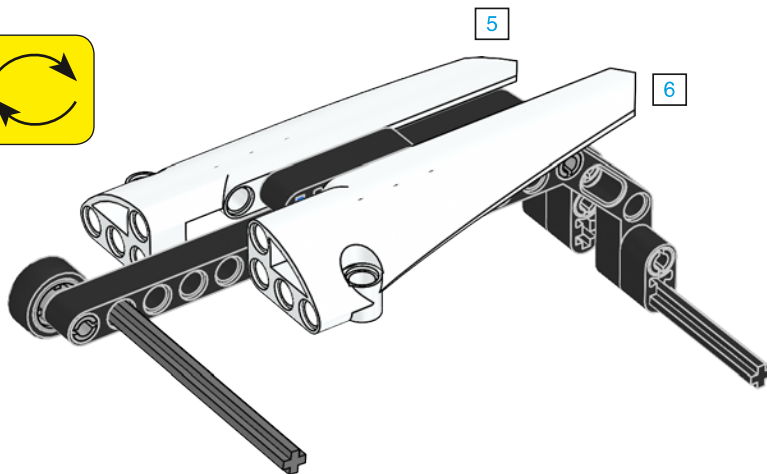




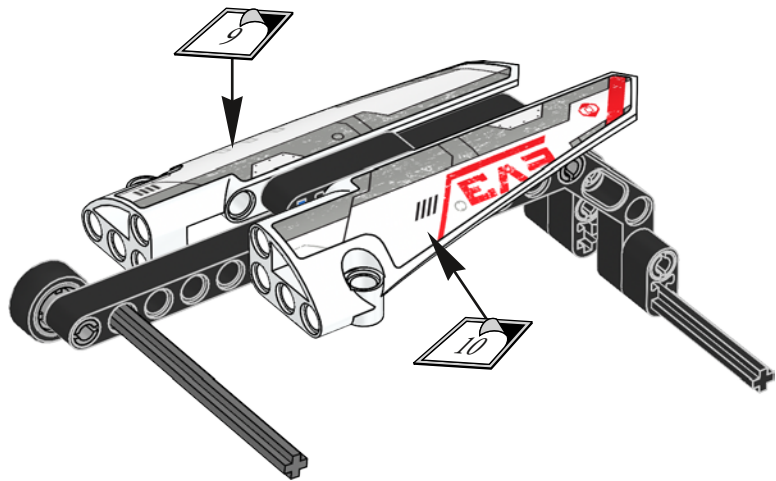
9



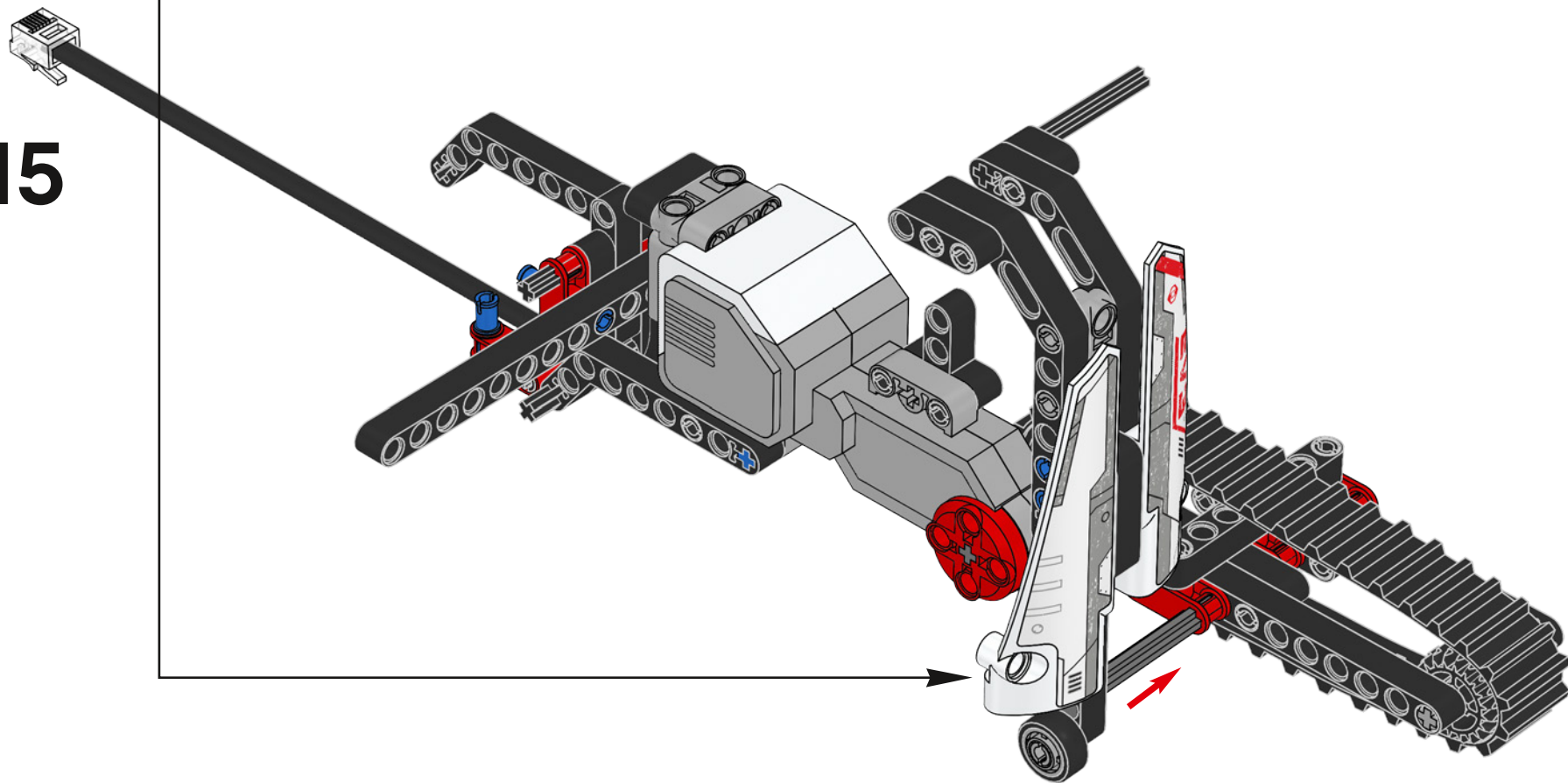
10



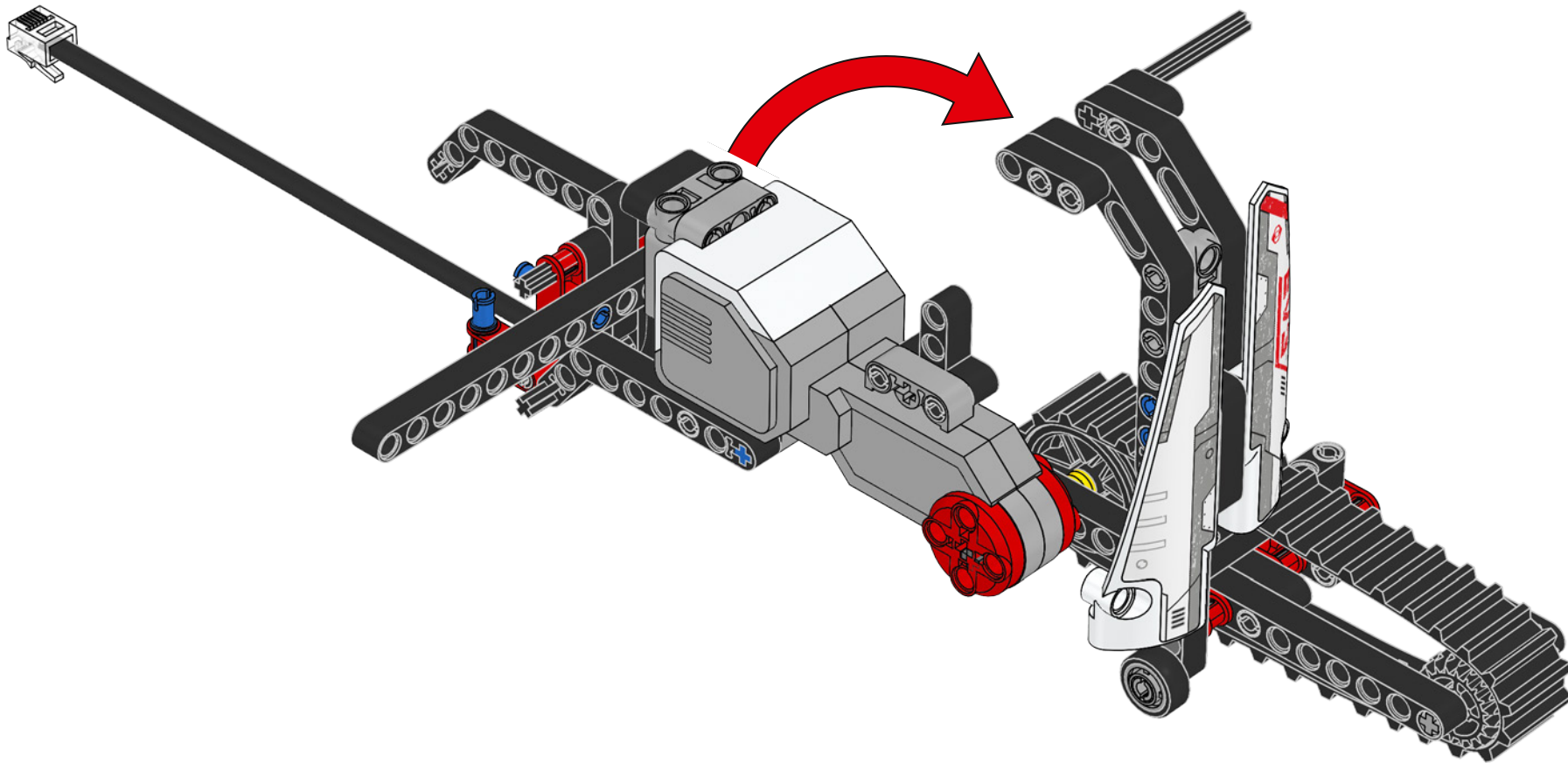
11



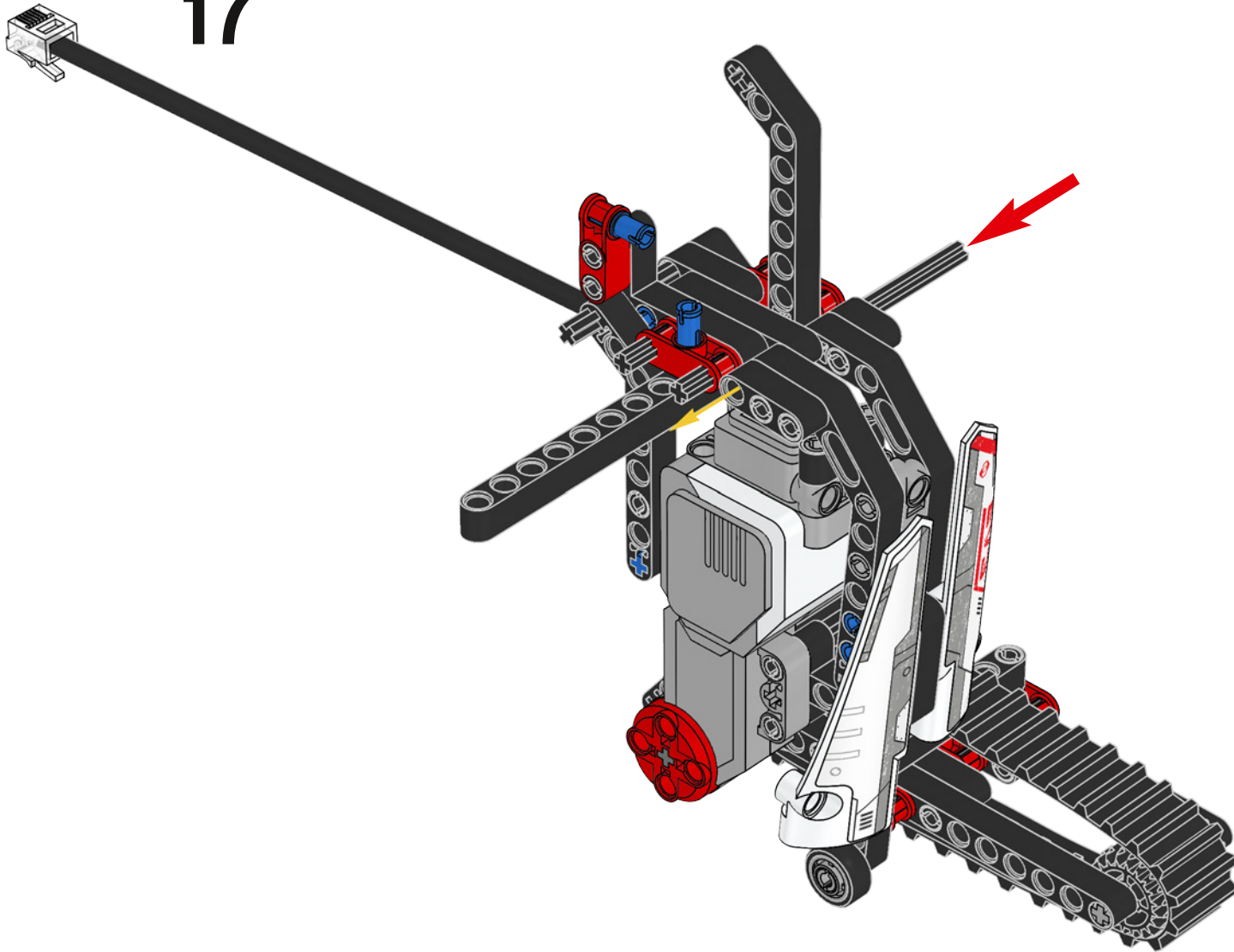
15

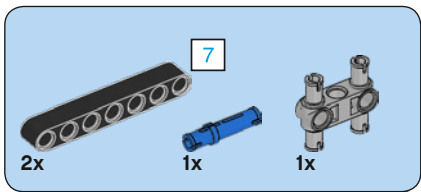


16

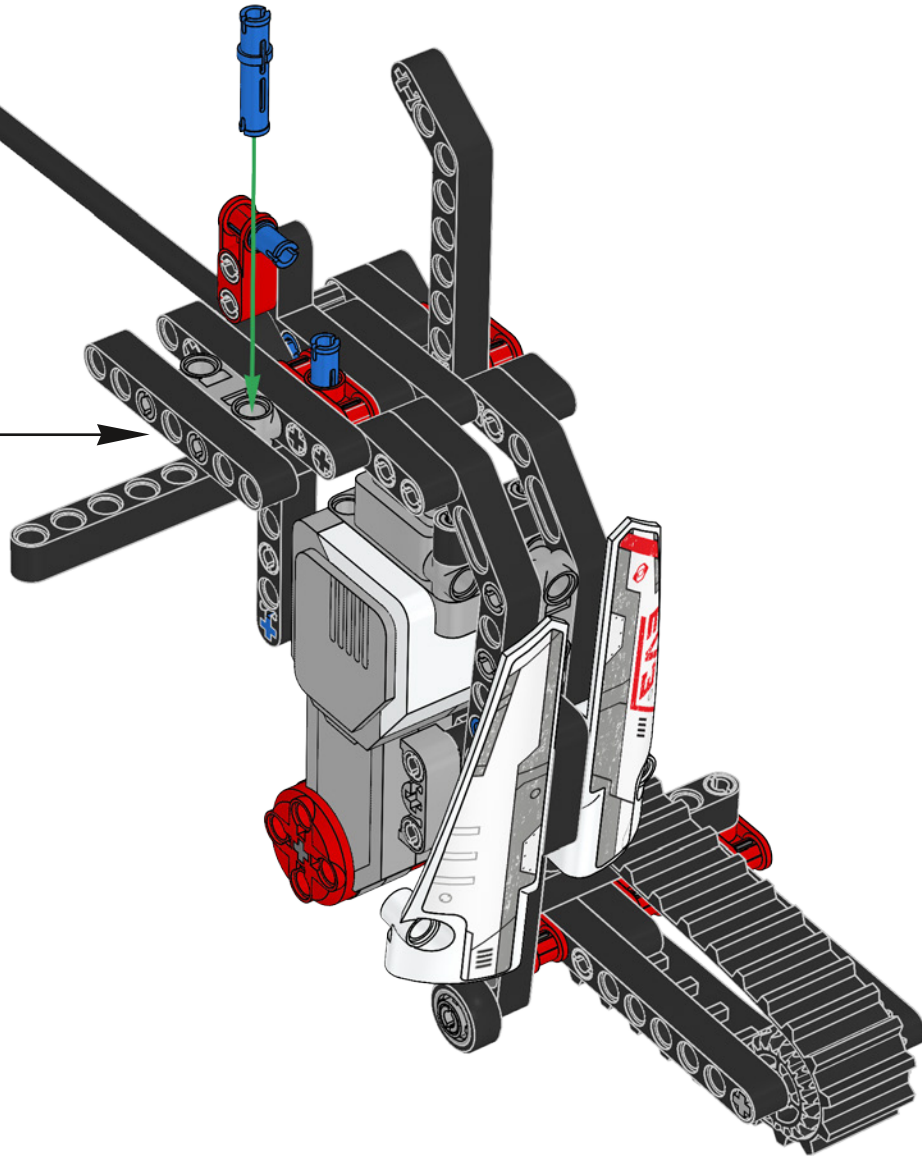
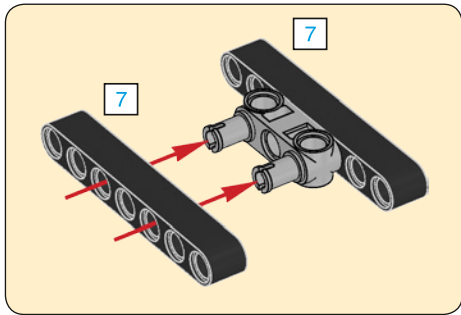


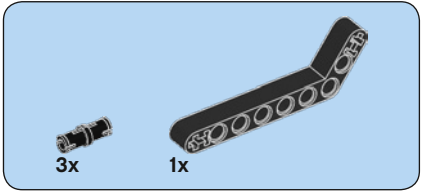
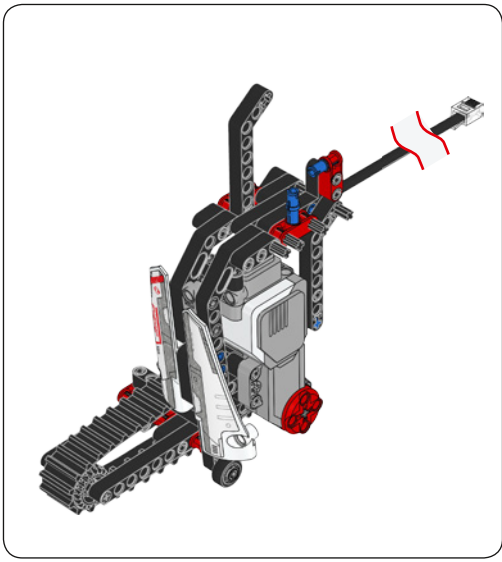
17



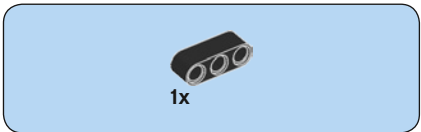
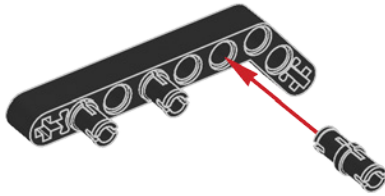


18

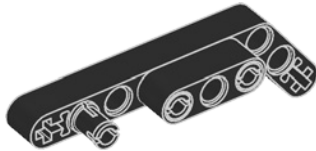


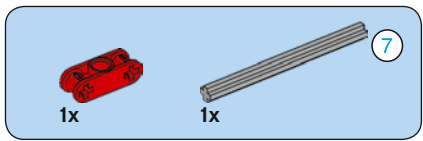


1

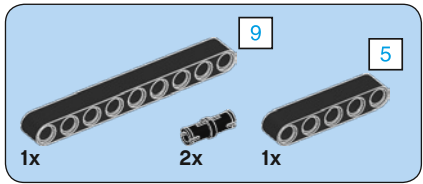
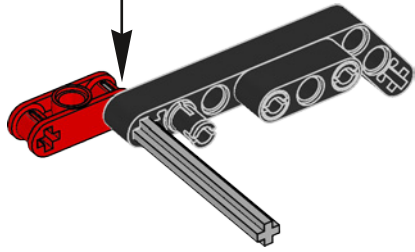
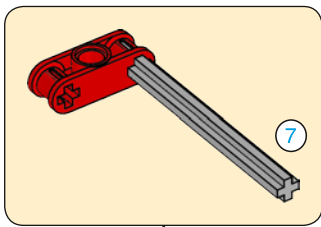


2

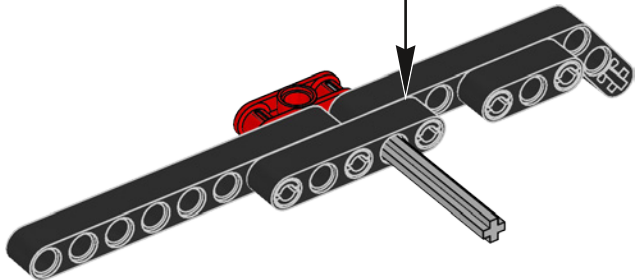
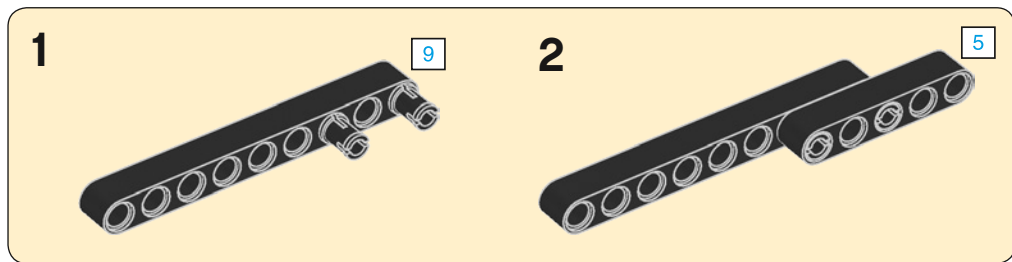


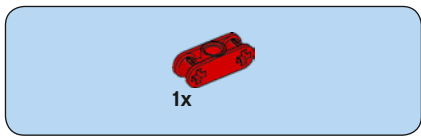


3

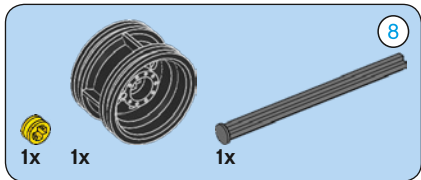
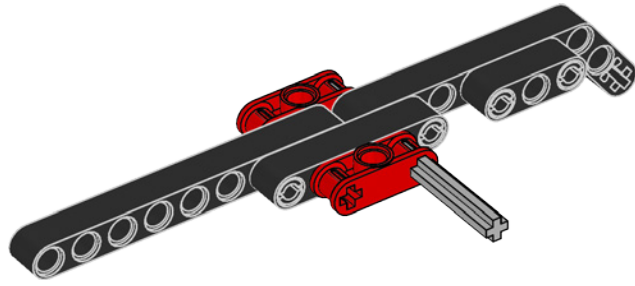


4

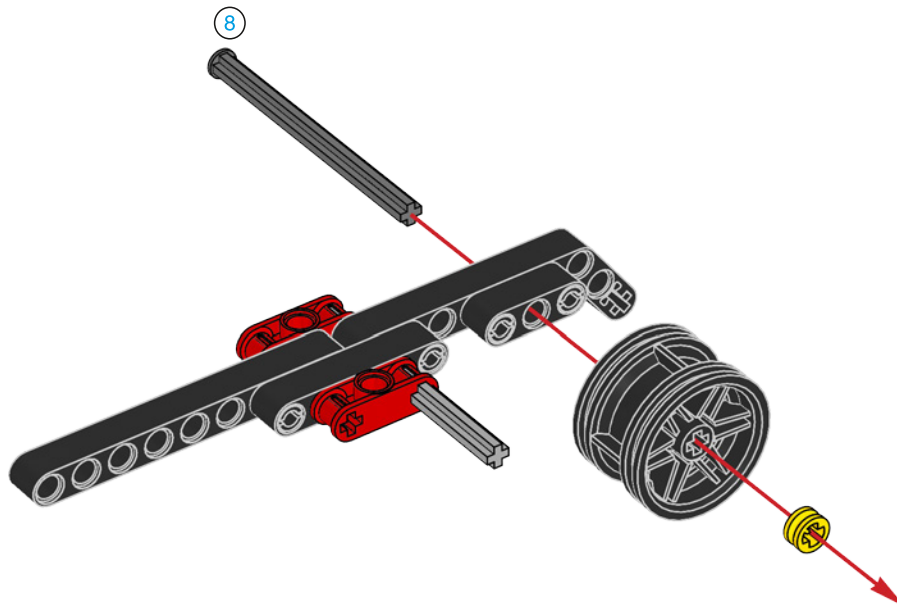


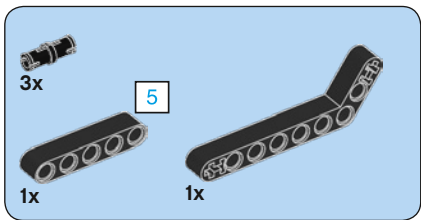


5

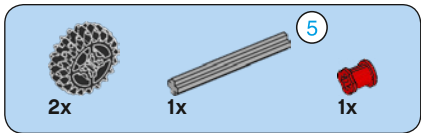
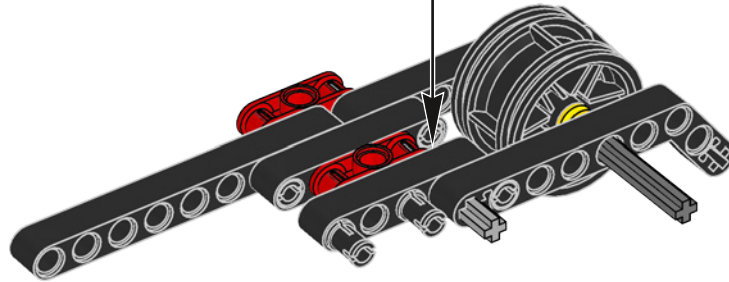
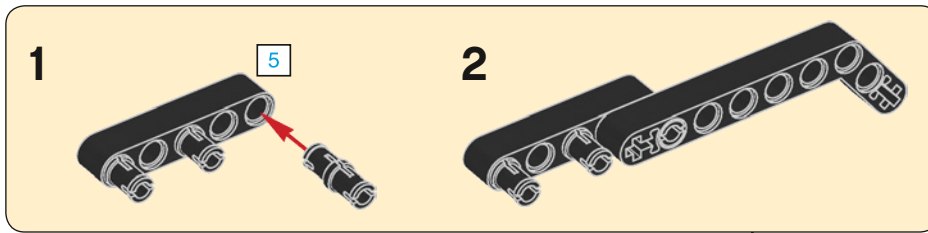


6

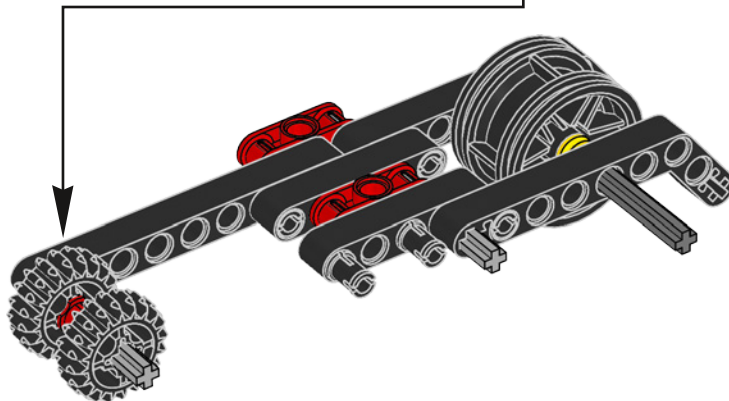
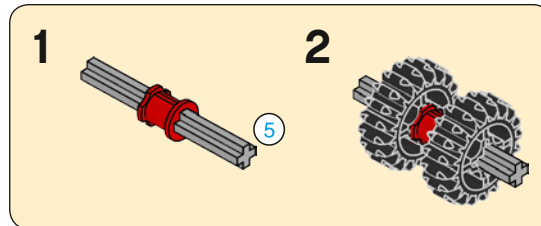


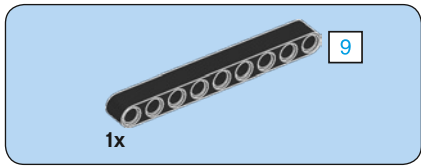


7

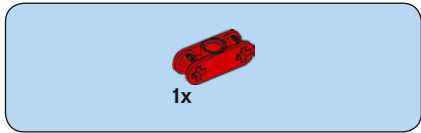
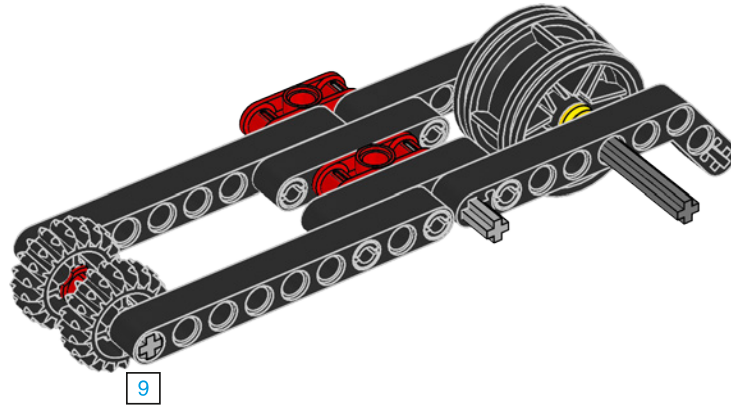


8

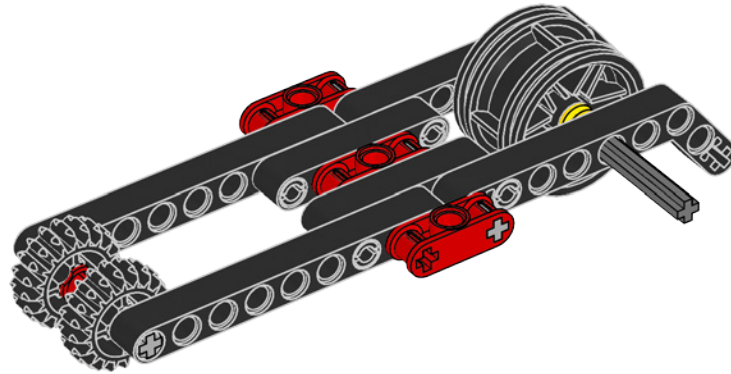




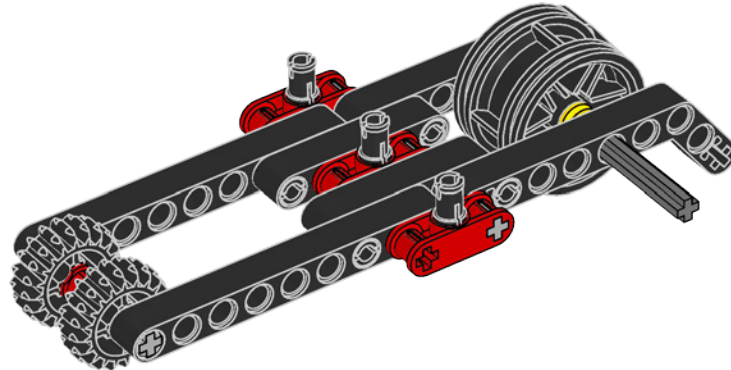
9

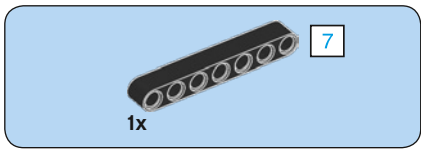


10

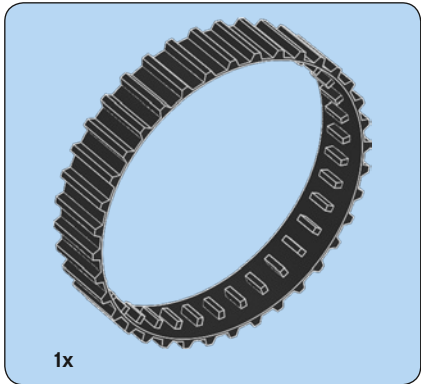
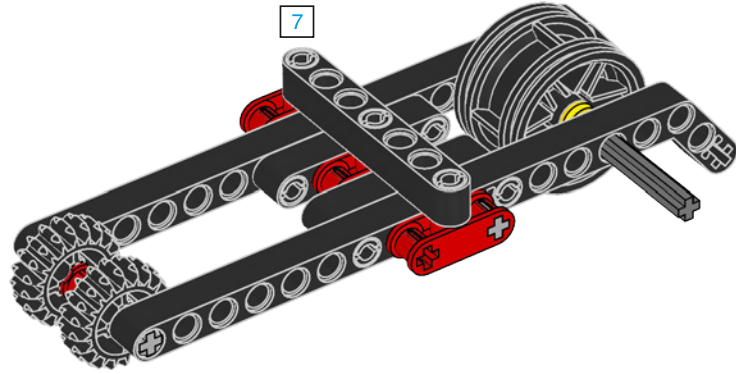


11

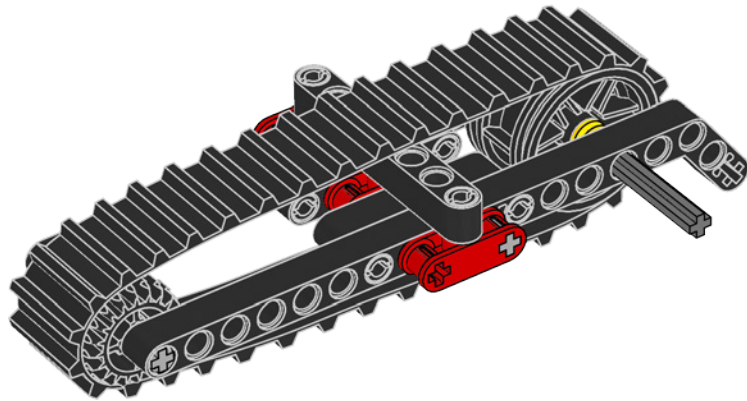


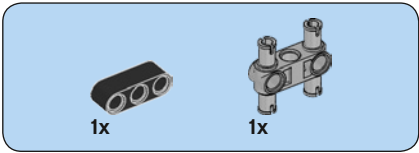
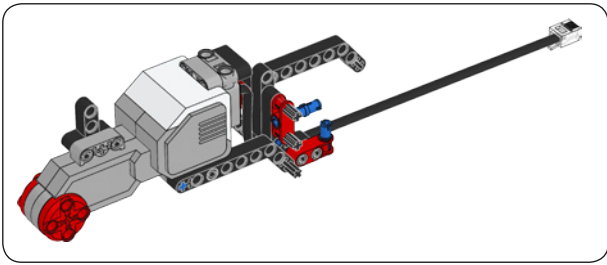


12

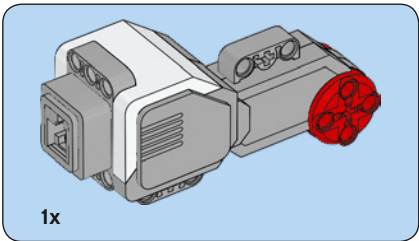
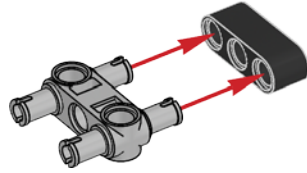


13

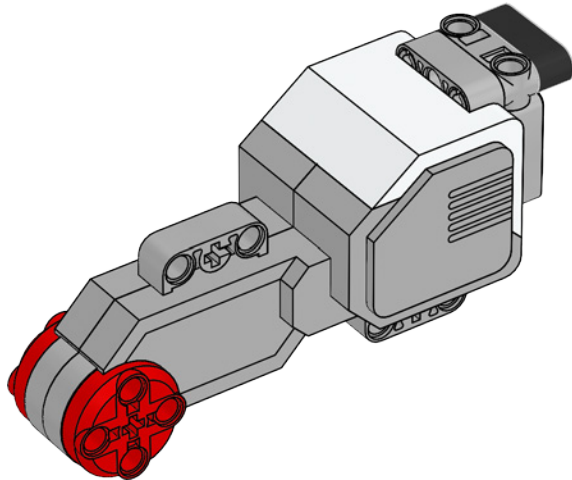


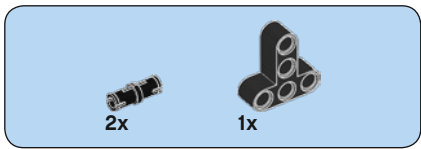


1

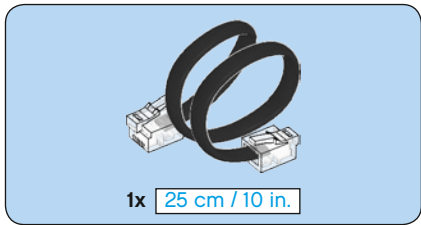
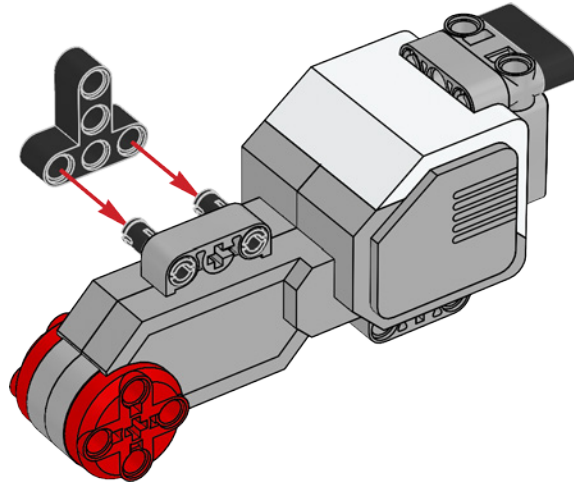


2

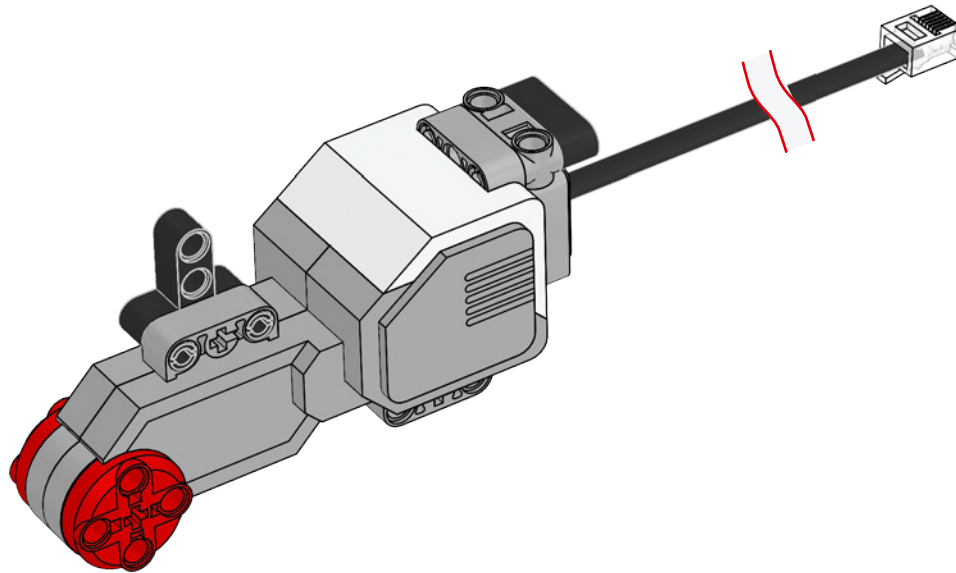


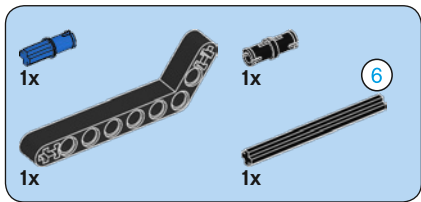


3

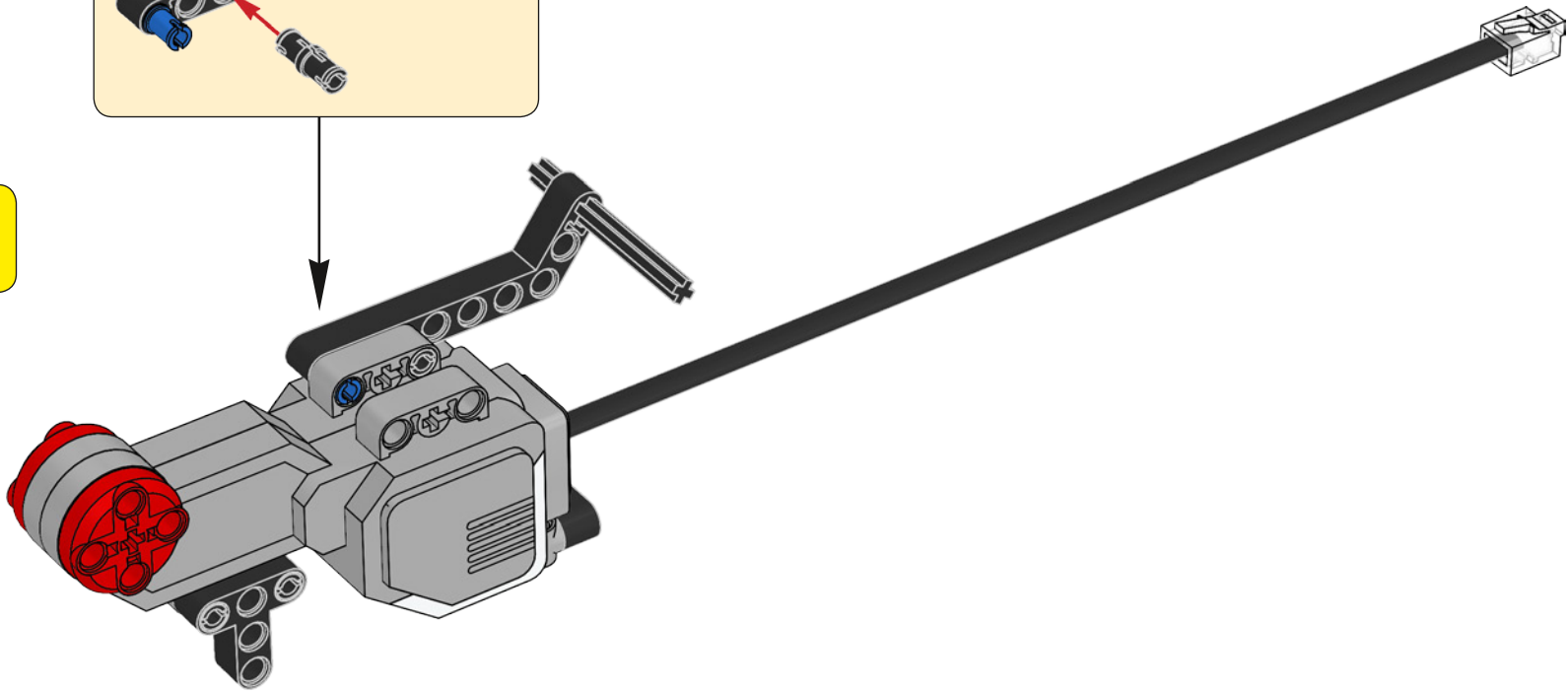
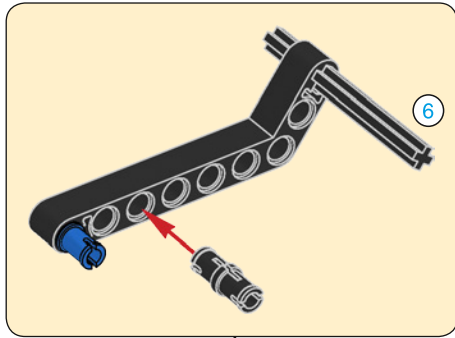


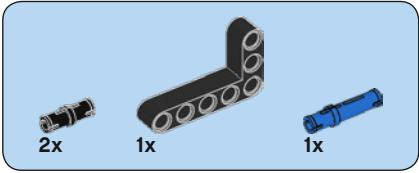
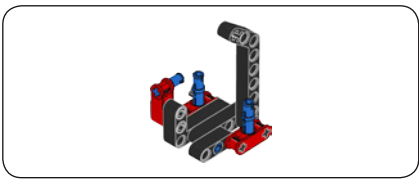
4



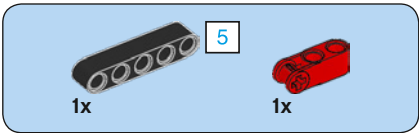
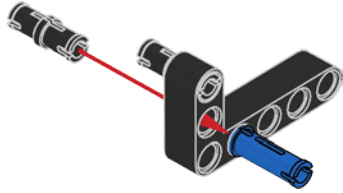


5

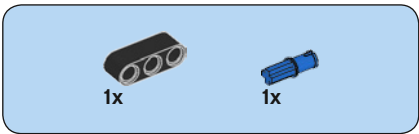
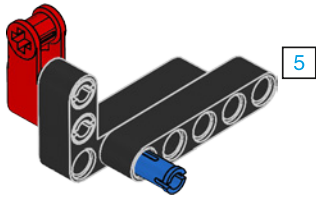




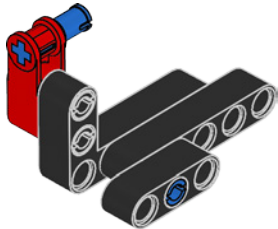
1

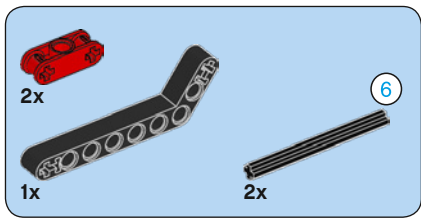


2

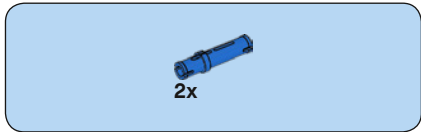
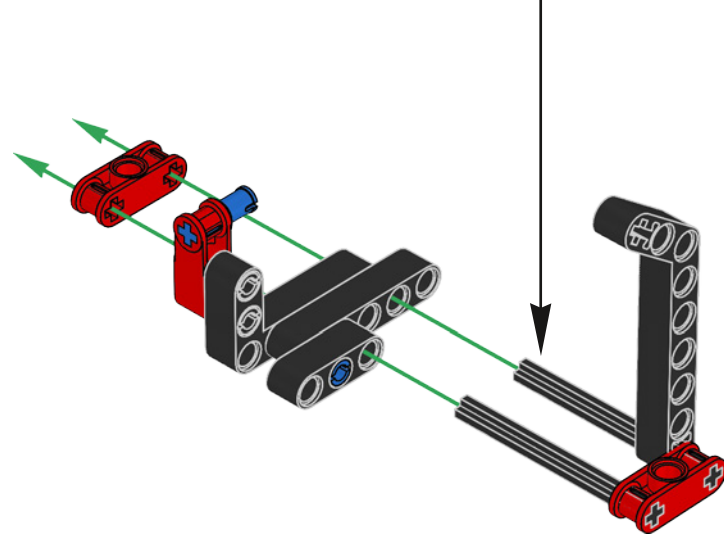
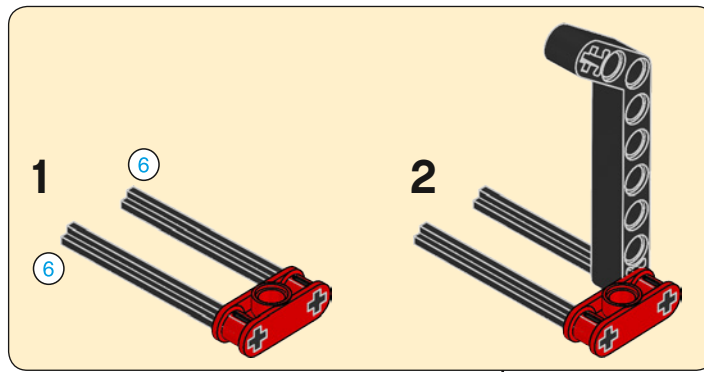


3

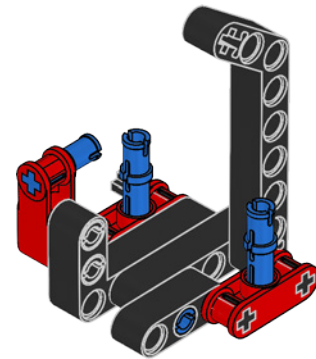




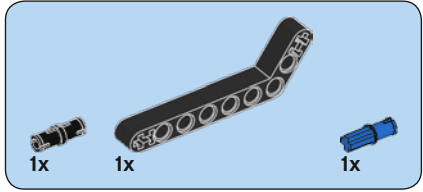
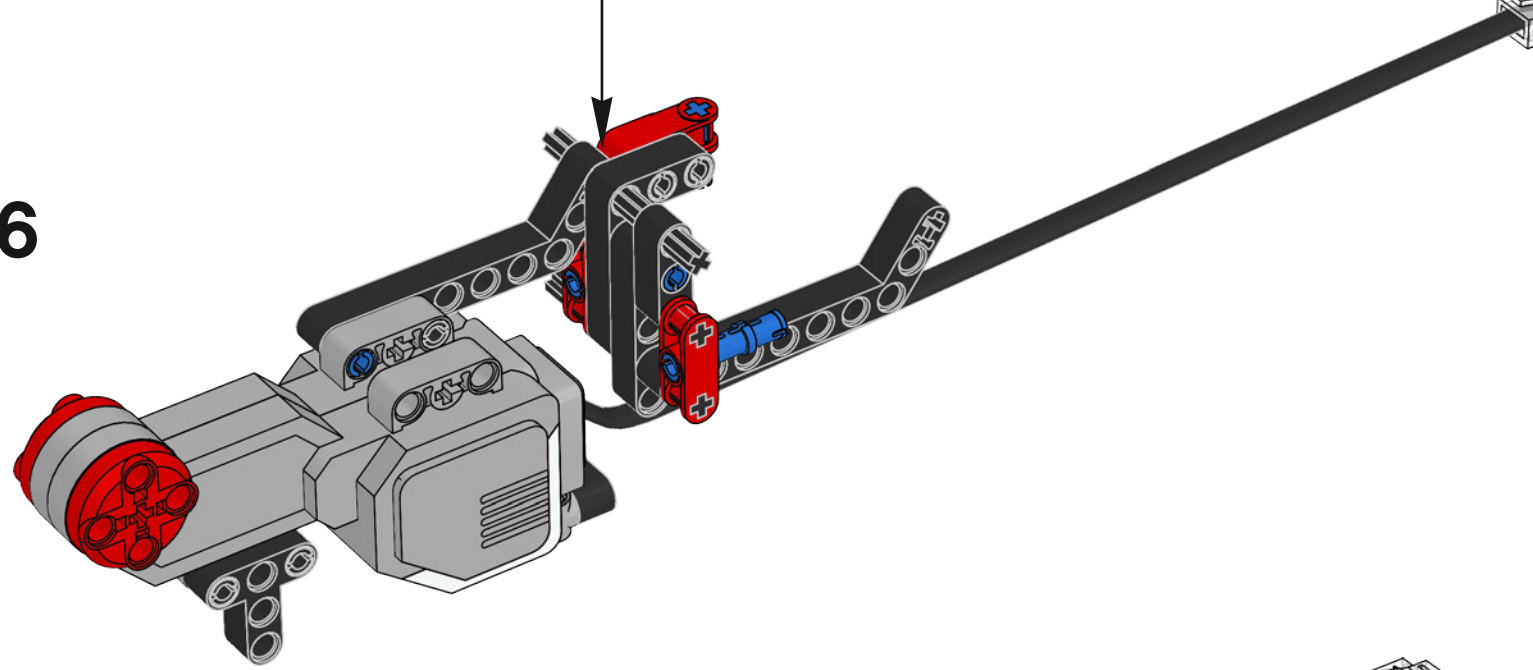
4



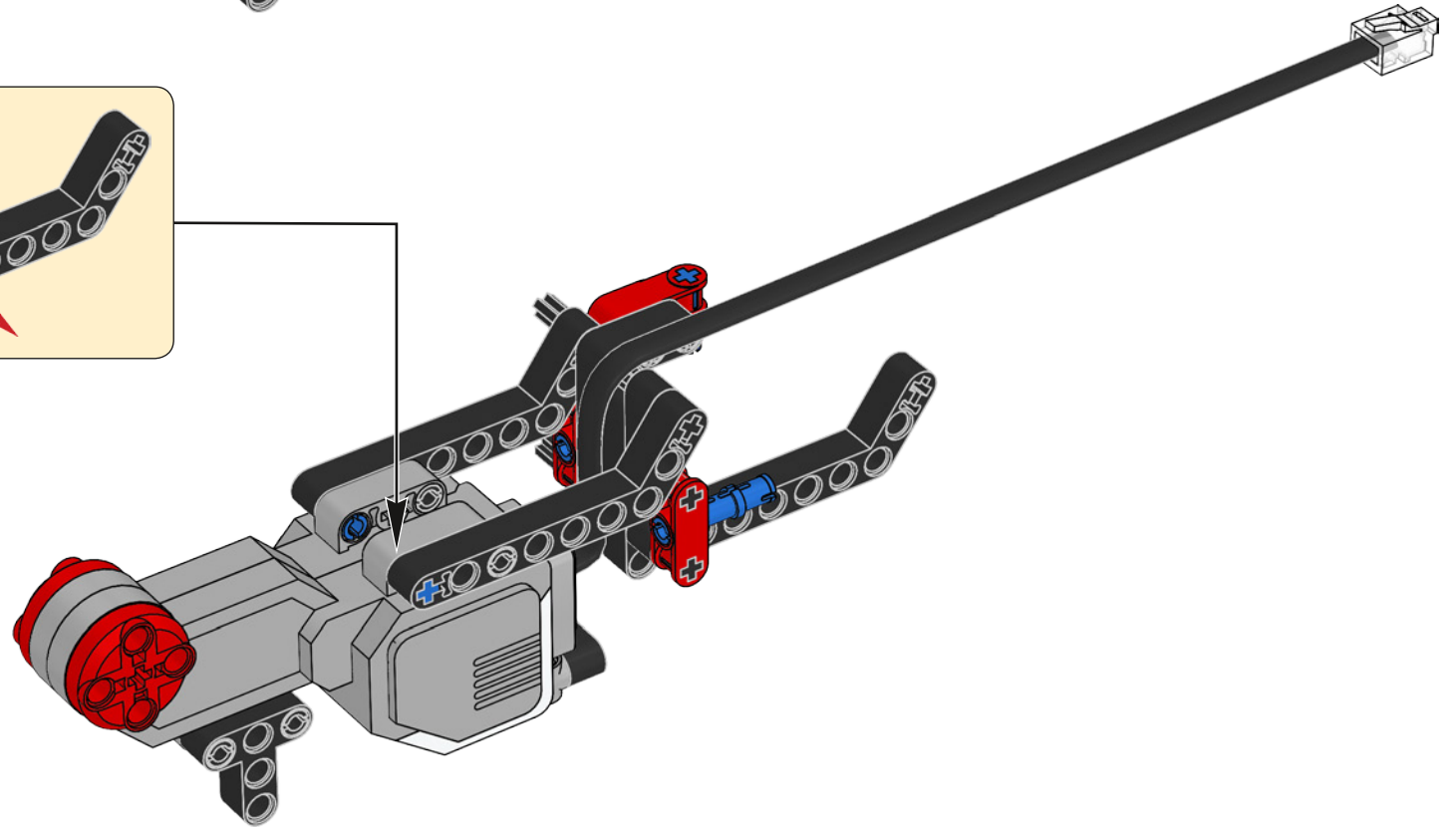
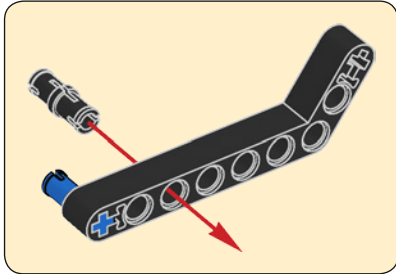
5



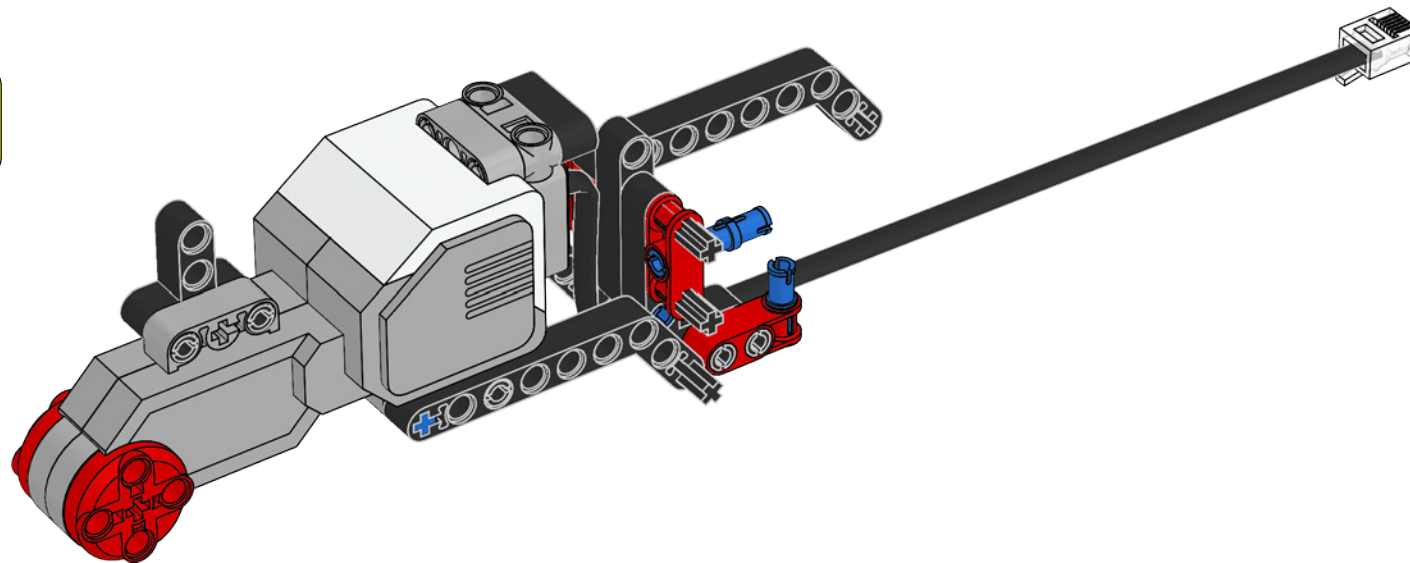
6



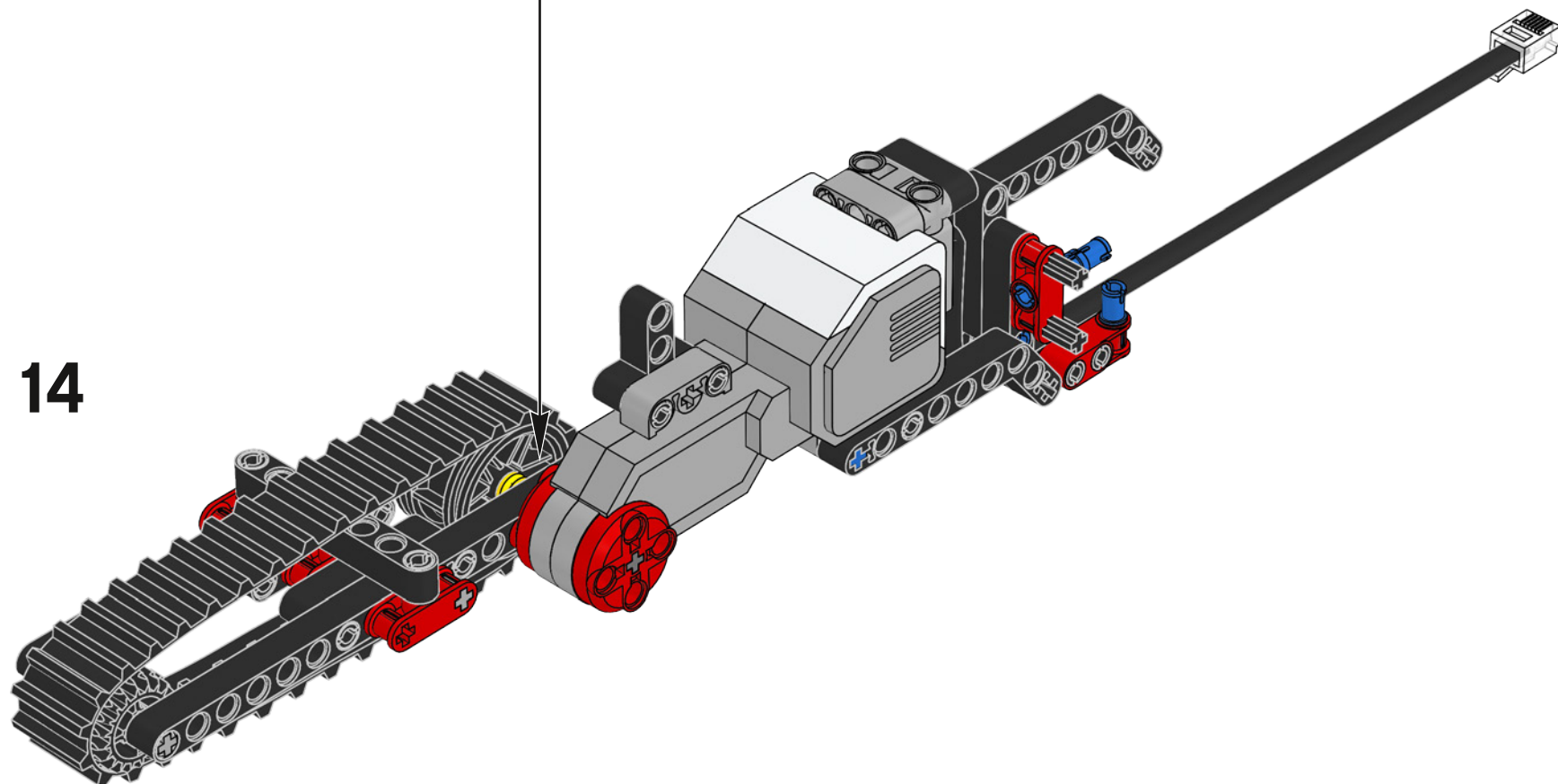
7

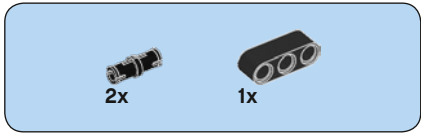
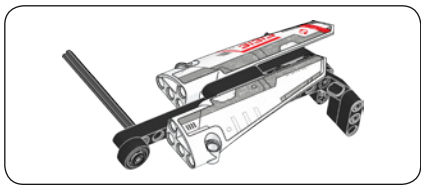


8

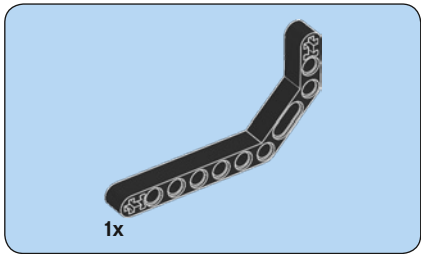
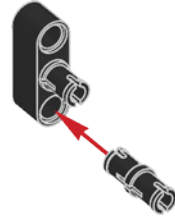


14



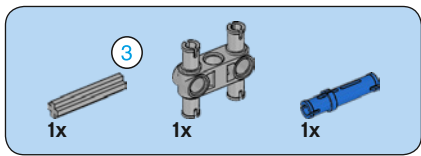


1

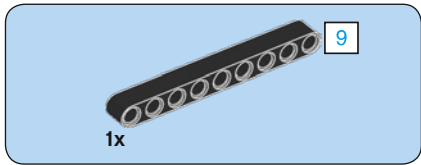
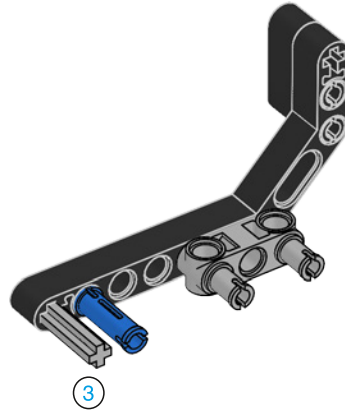


2

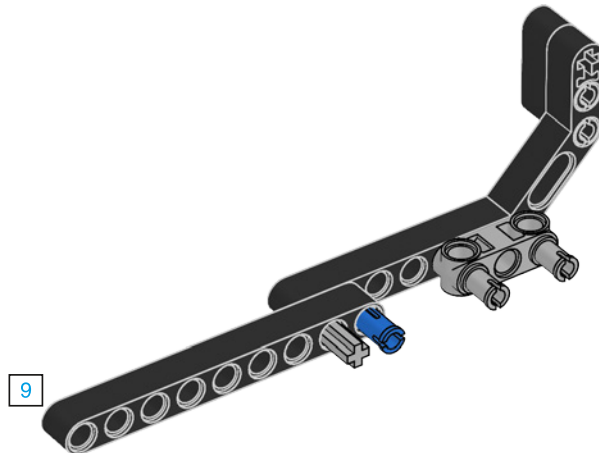


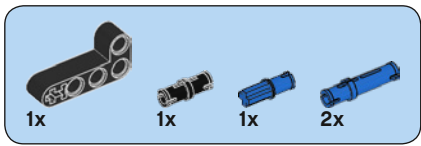


3

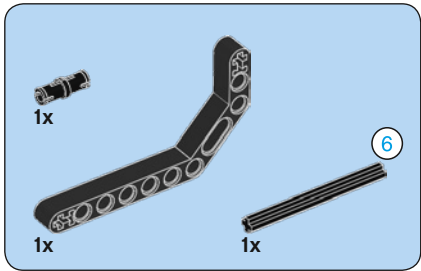
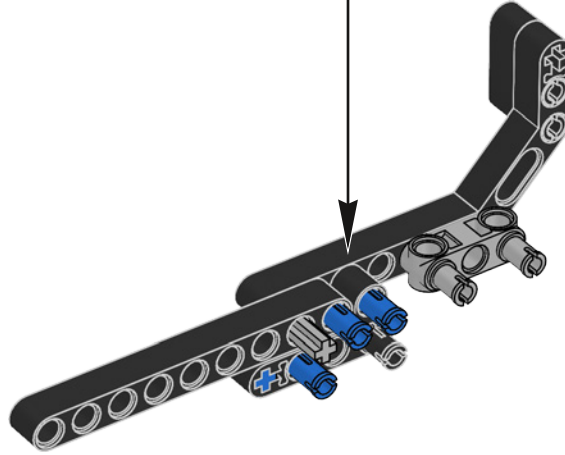
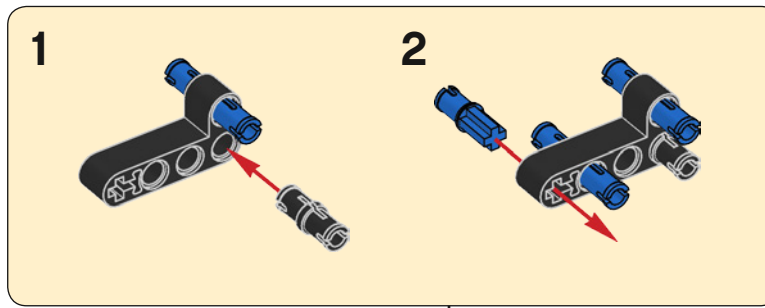


4

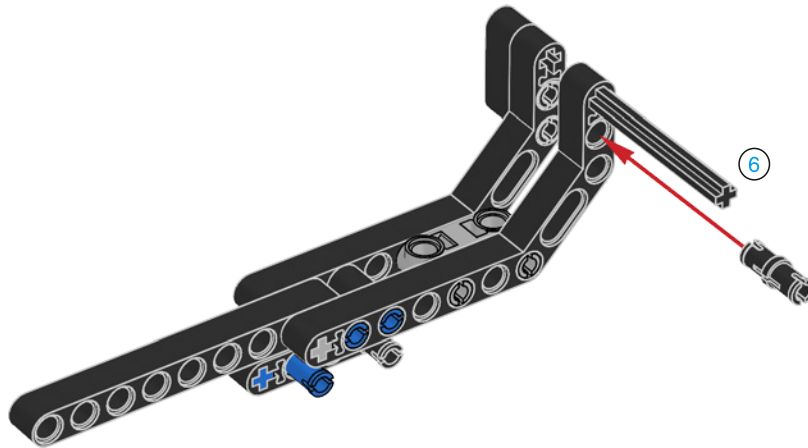


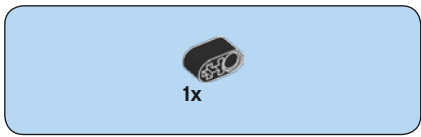


5

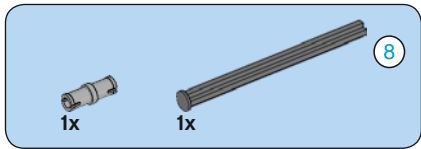
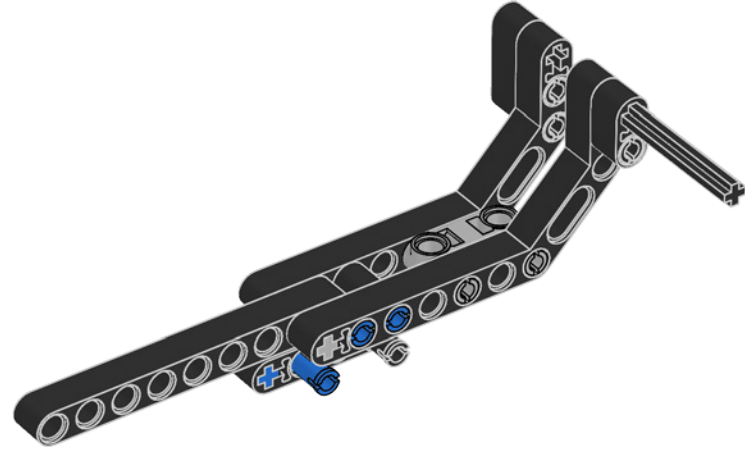


6

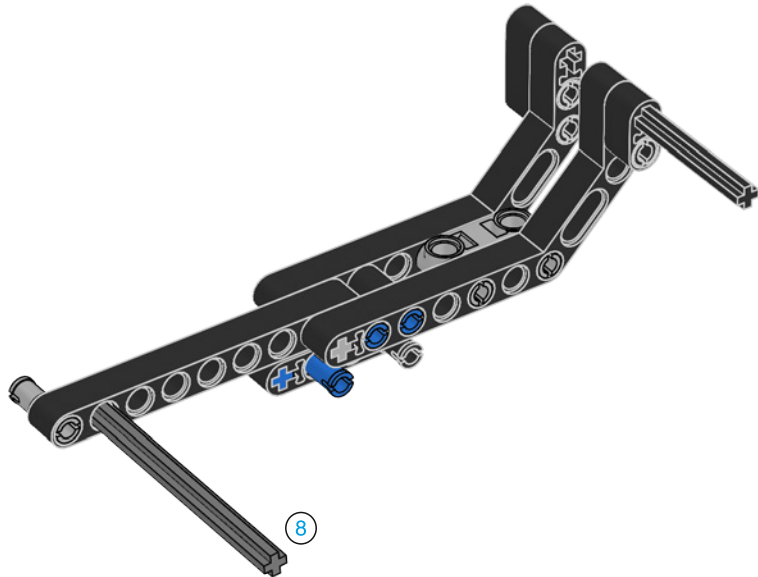


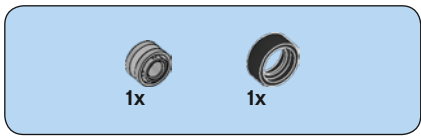


7

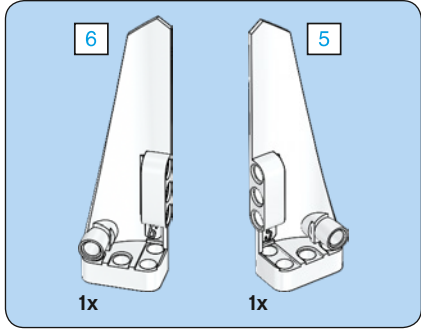
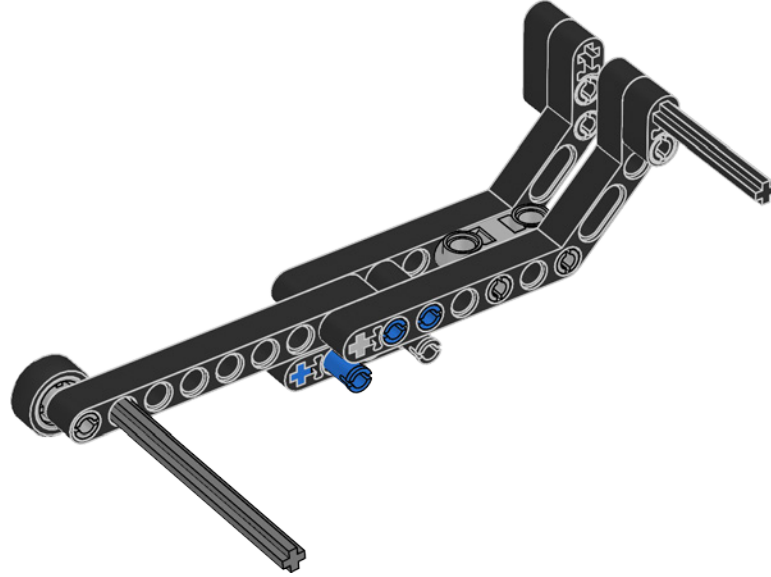


8

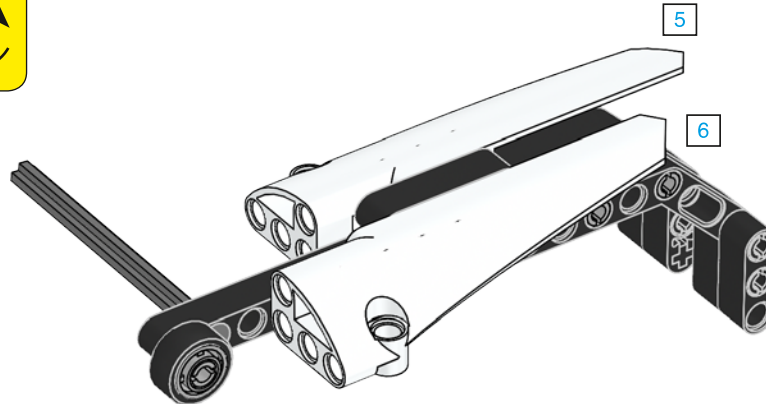




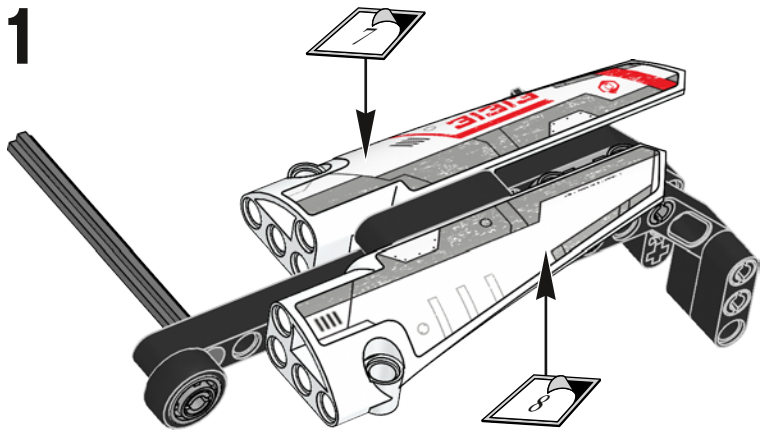
9



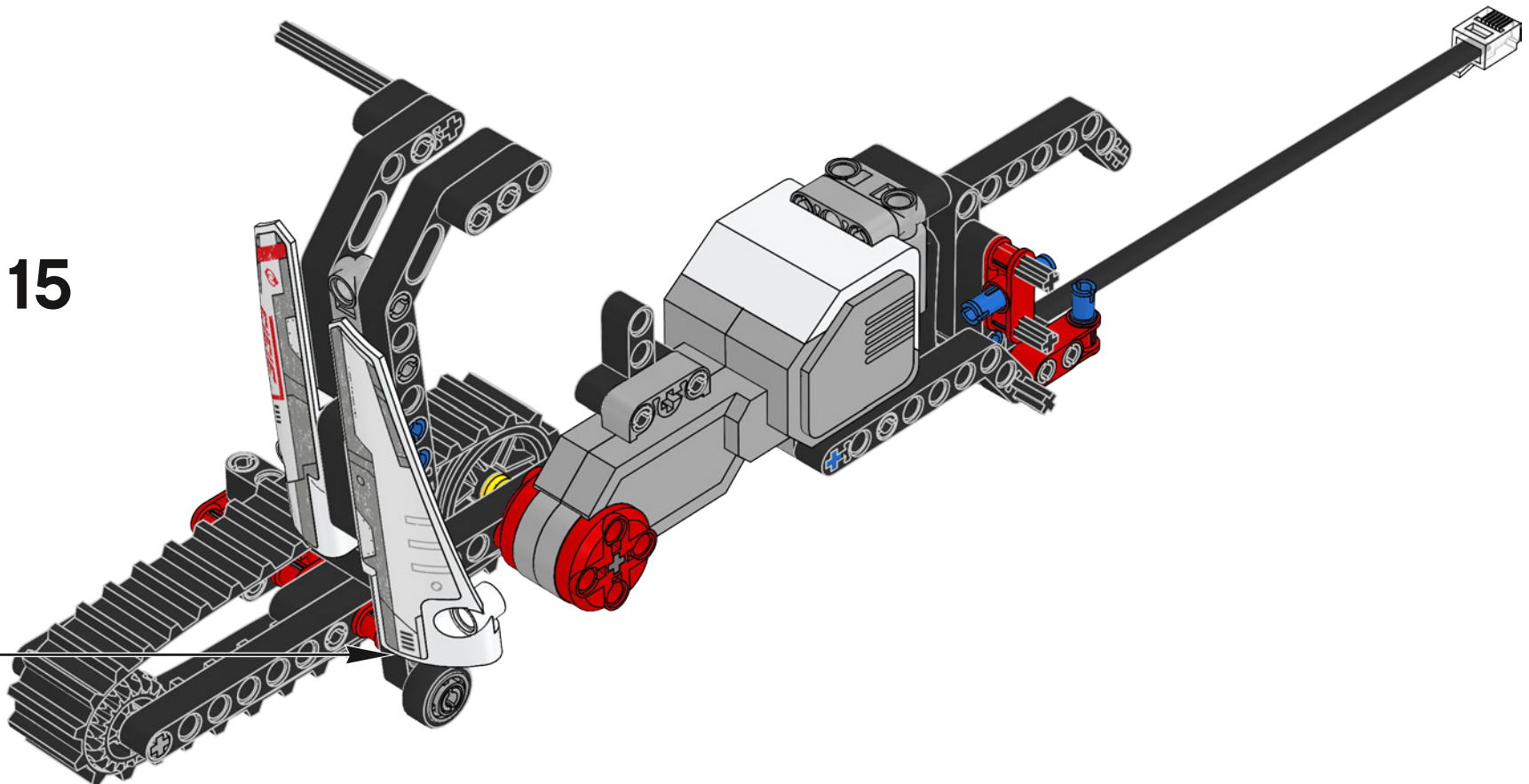
10



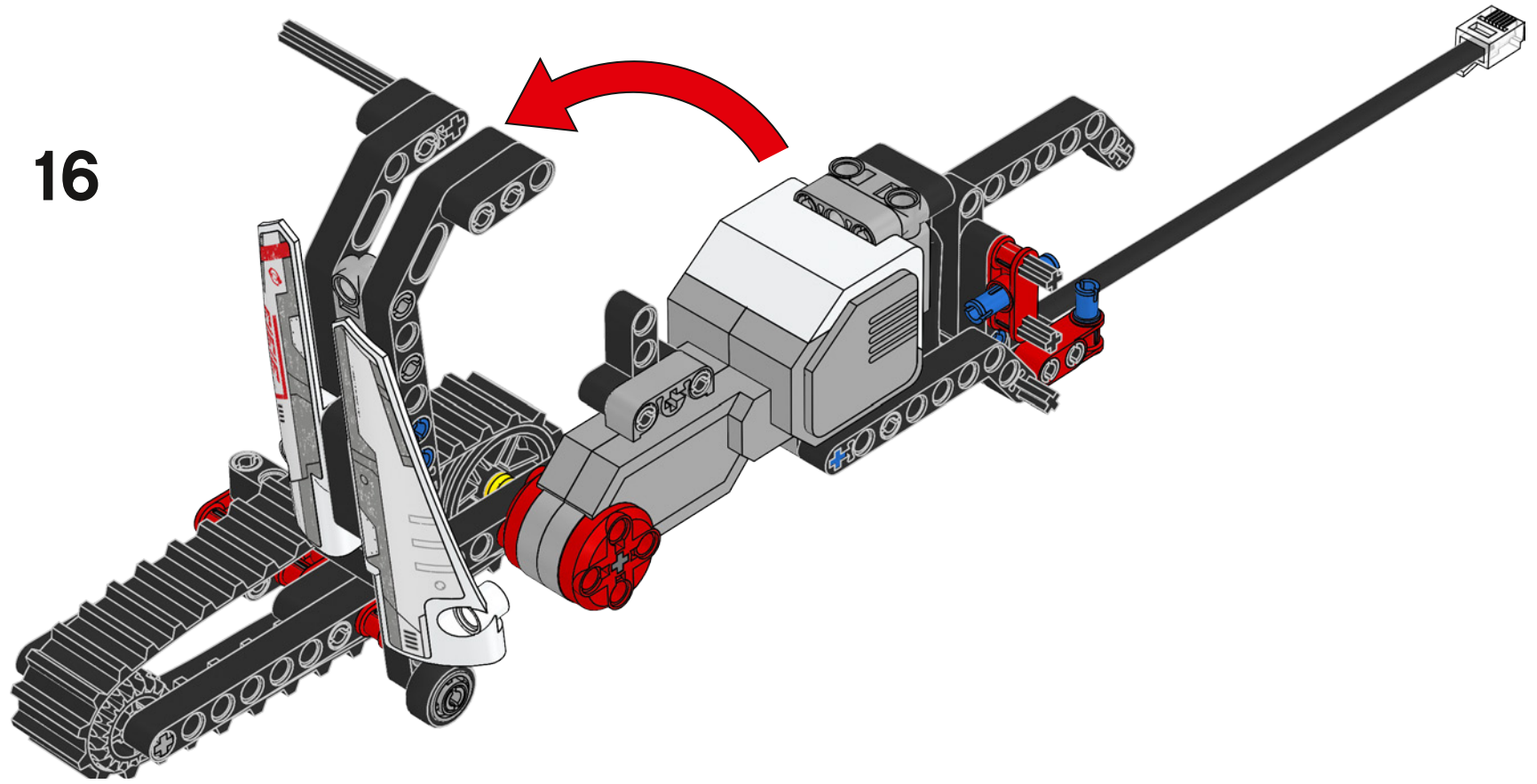
11



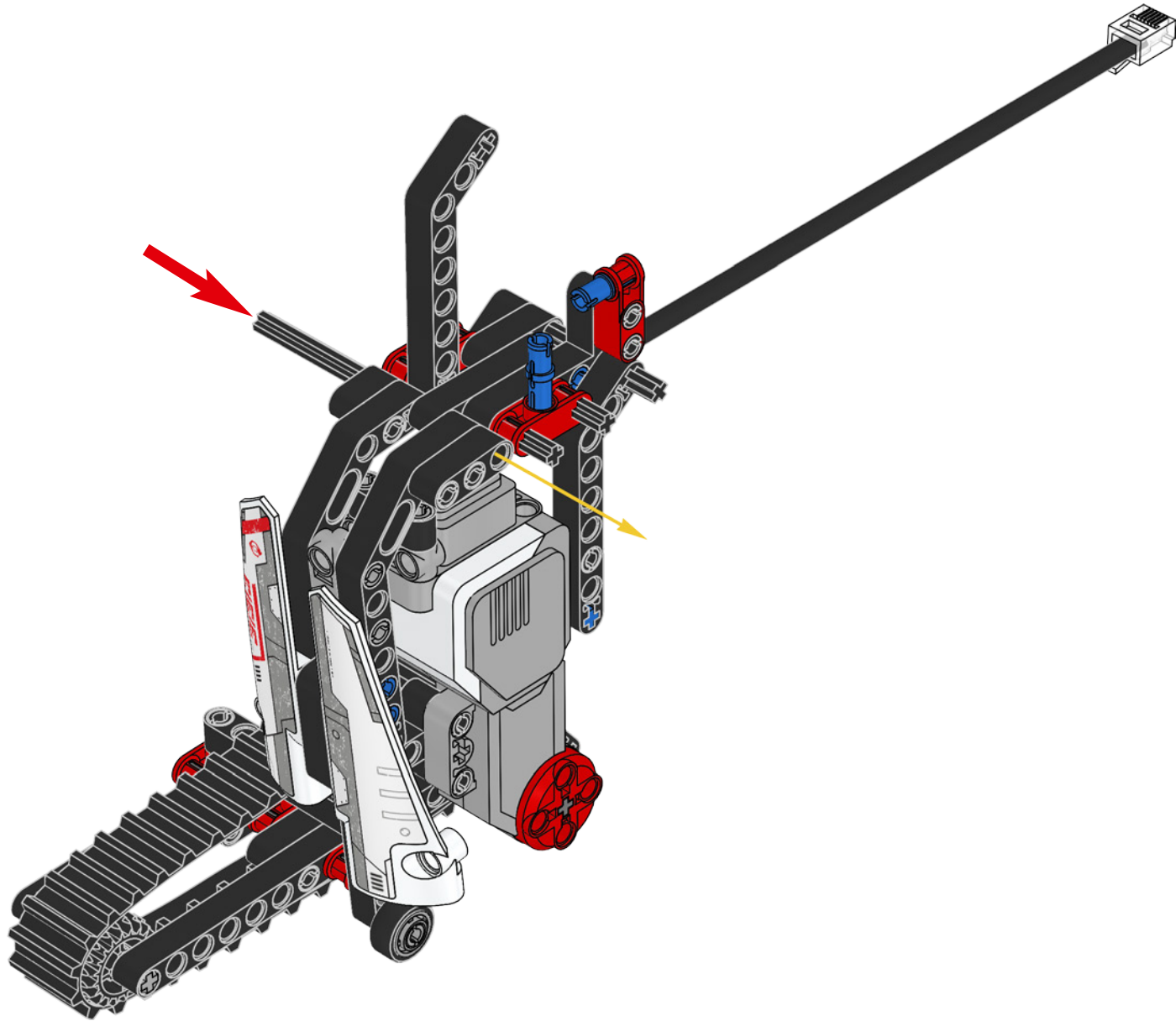
15



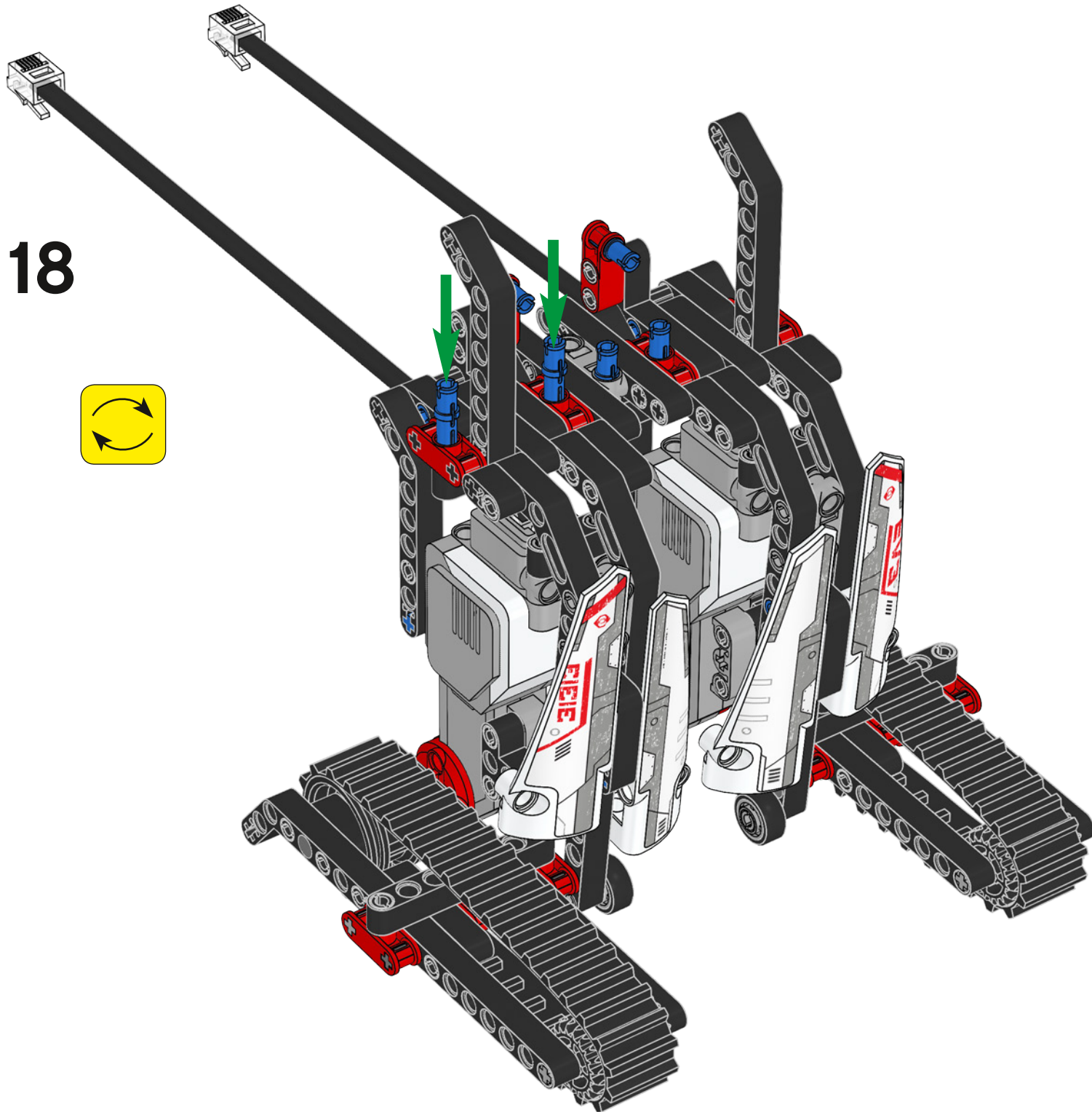
16

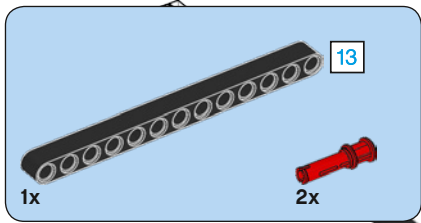


17

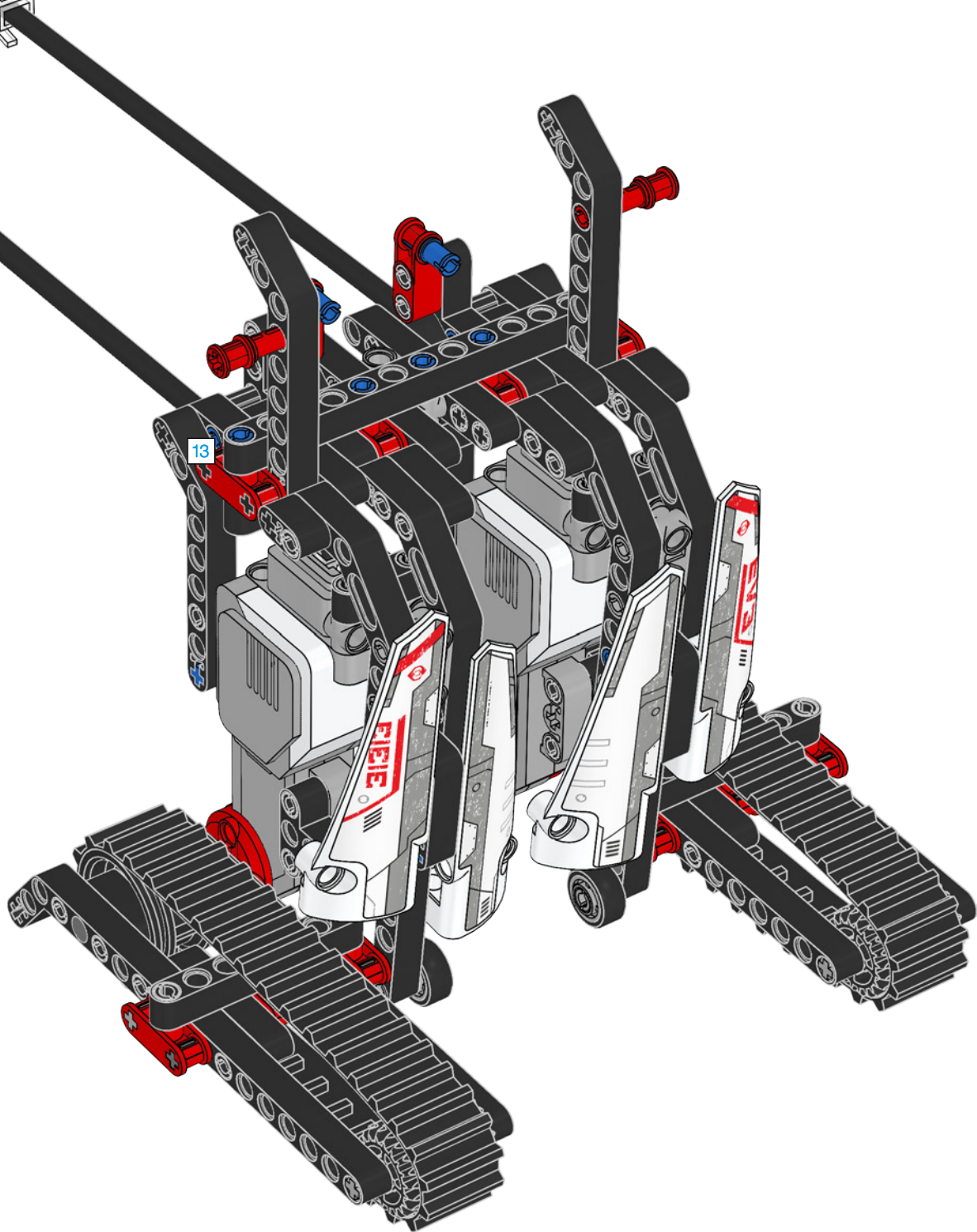


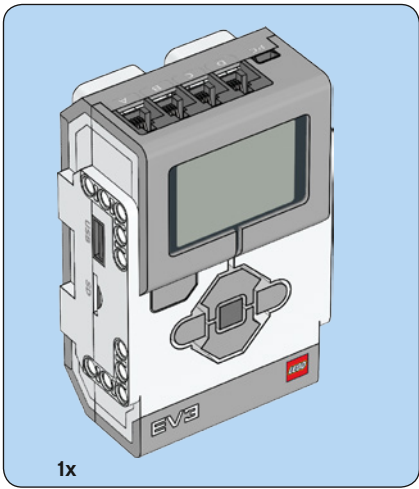
18





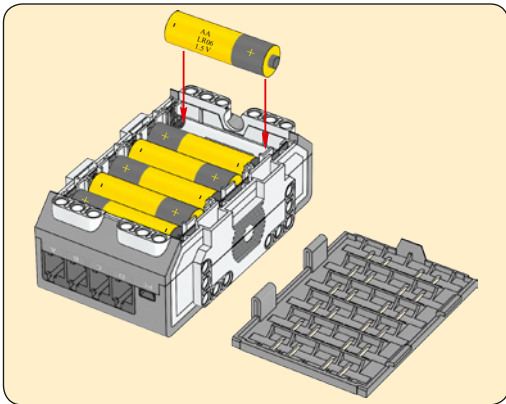
19





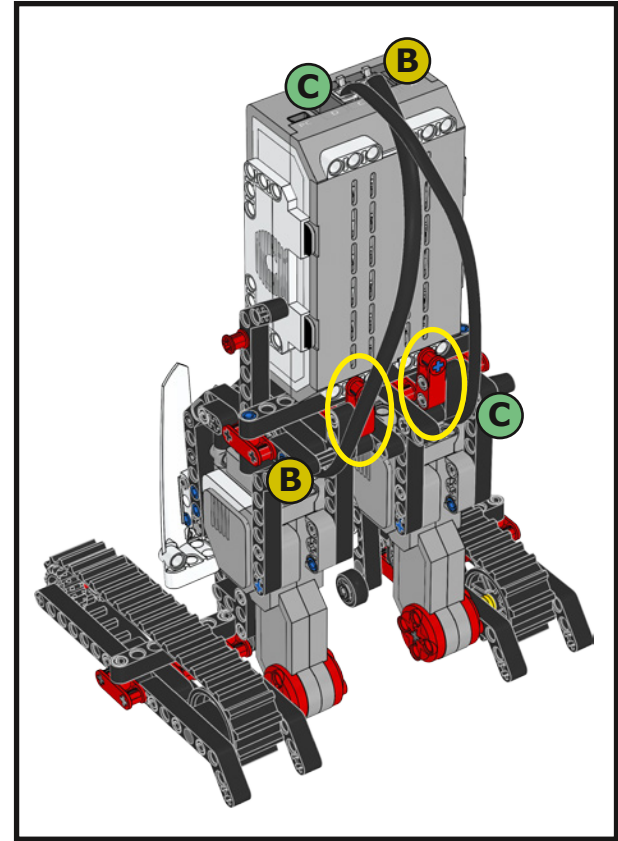
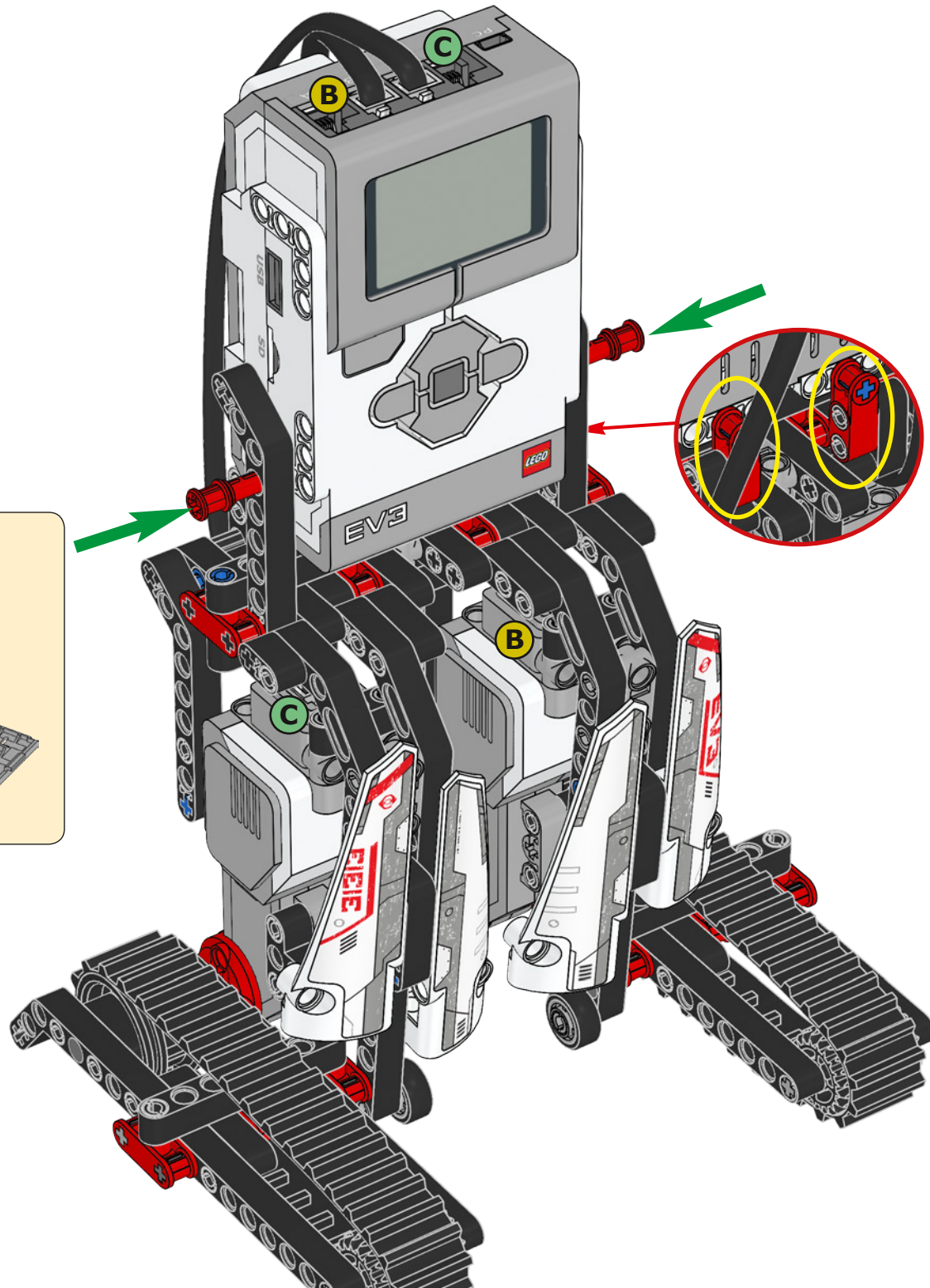
1x

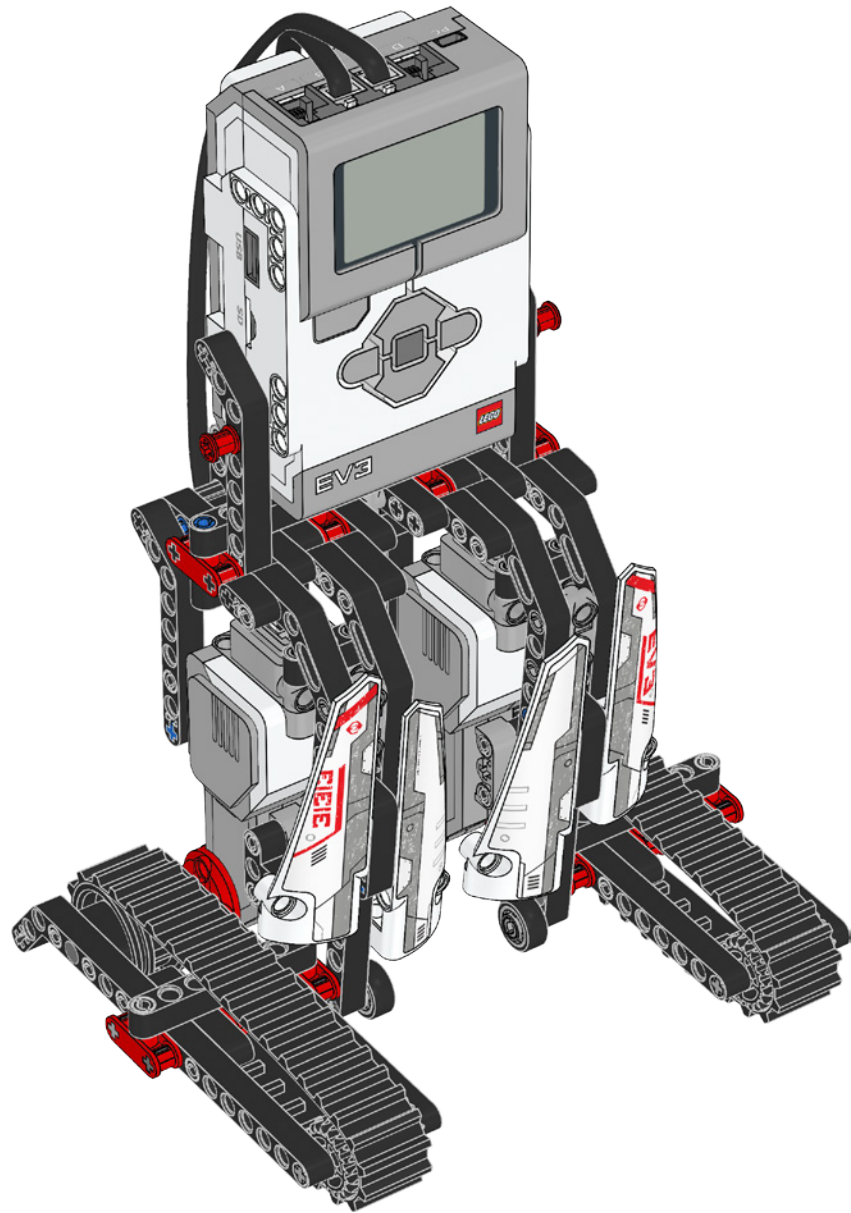
20



AA
LR06
1.5 V

x6







MISSION 01

Download on the
App Store

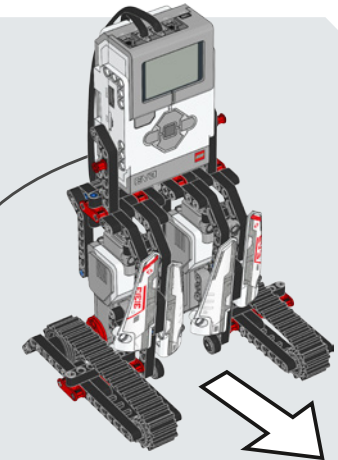
GET IT ON
Google play



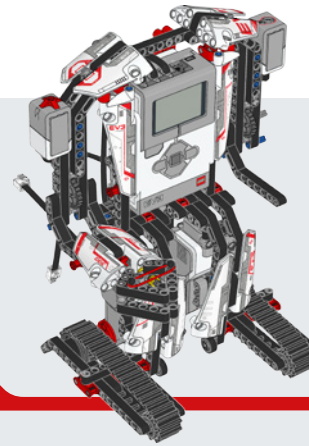
LEGO® MINDSTORMS®
EV3 Programmer
The LEGO Group

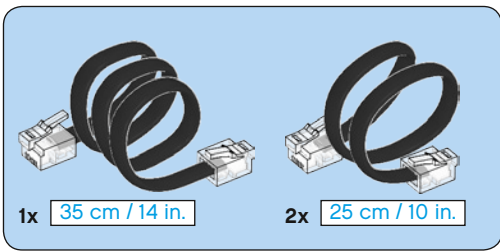


 LEGO.com/mindstorms/software



MISSION 02

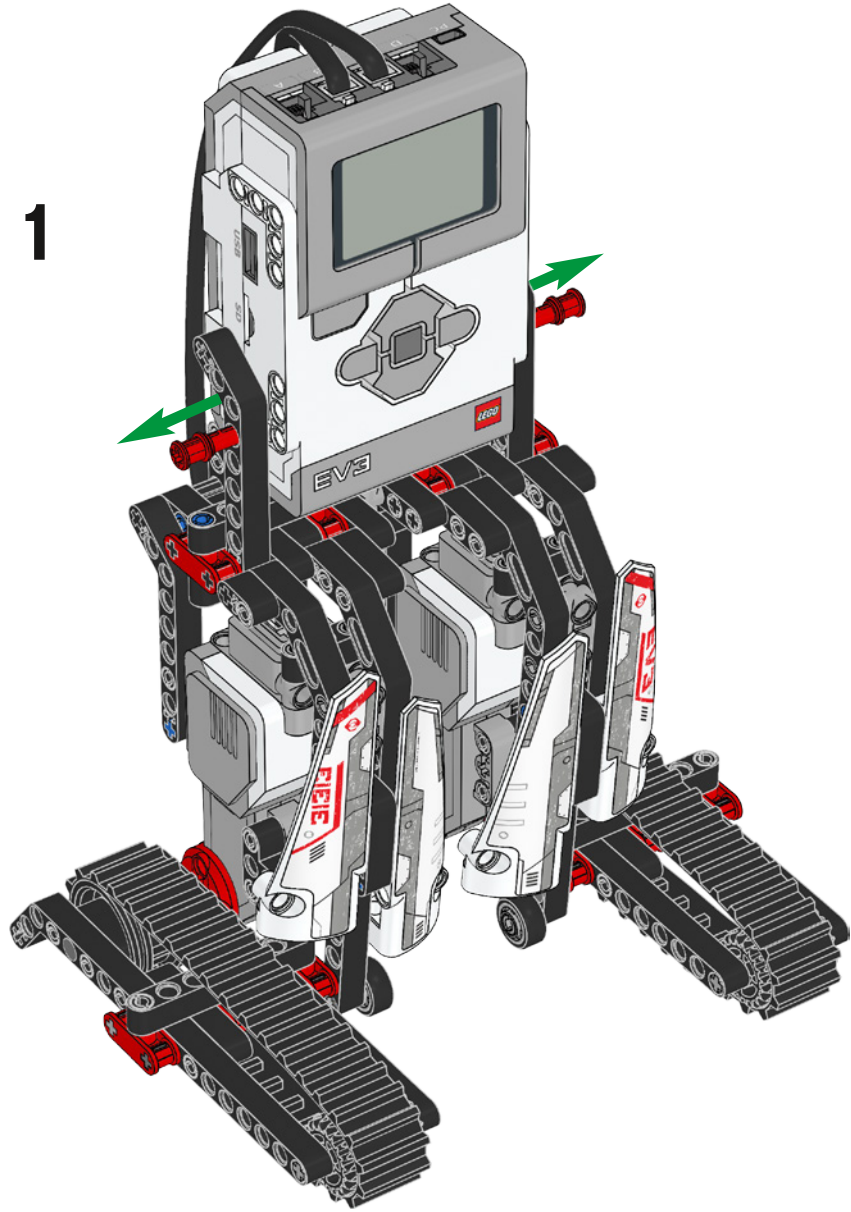


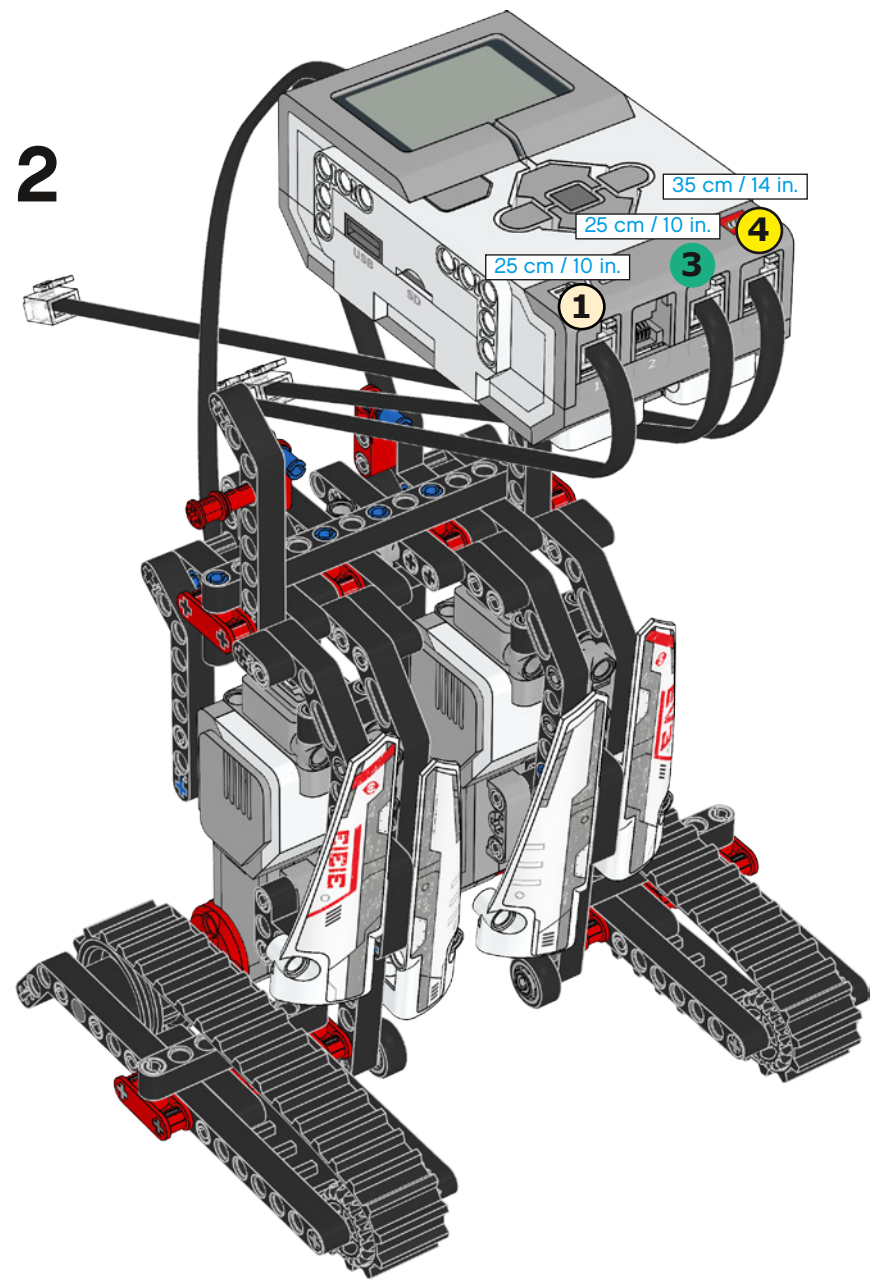


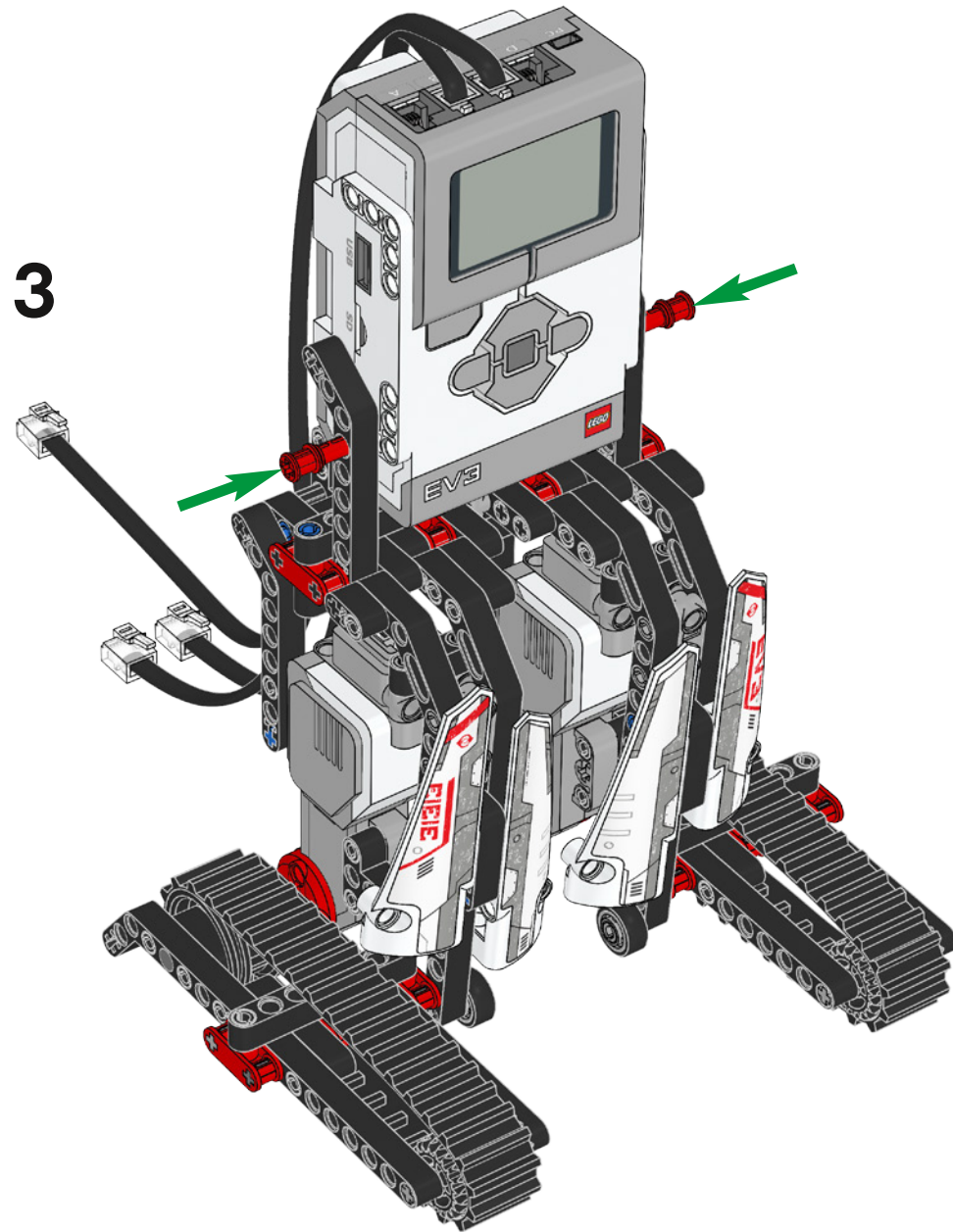
21

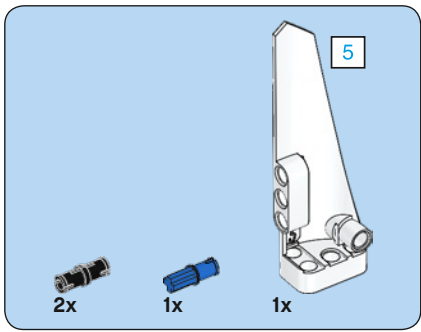


1

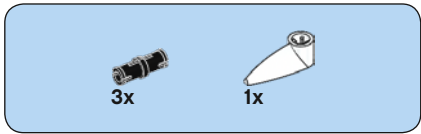
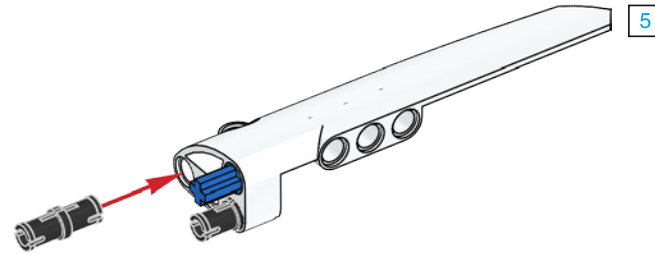




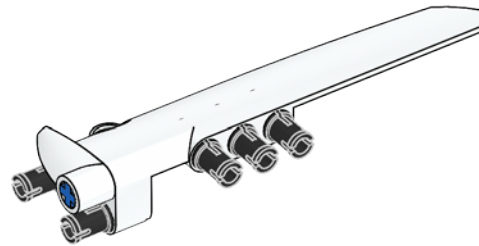




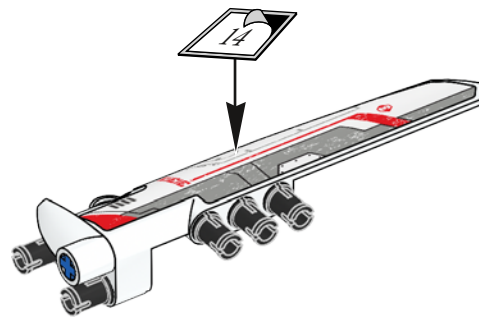
1



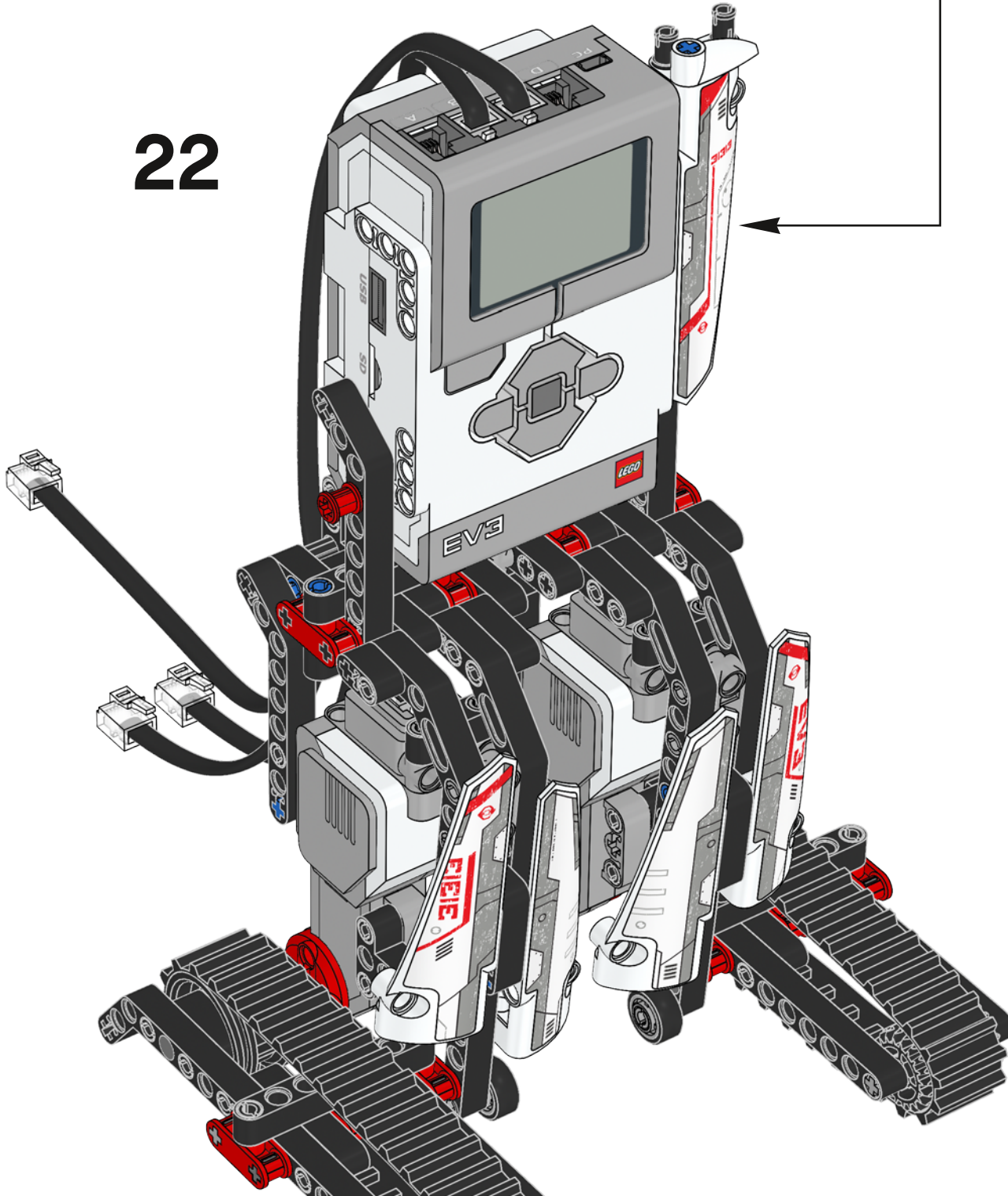
2

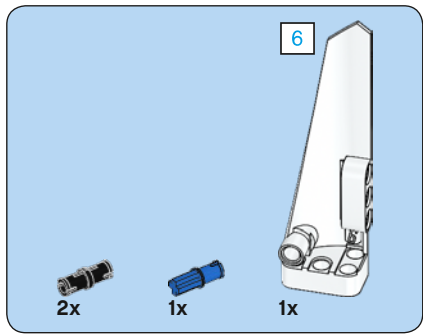


3

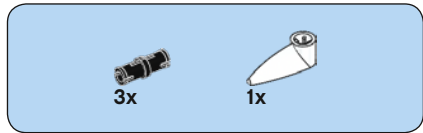
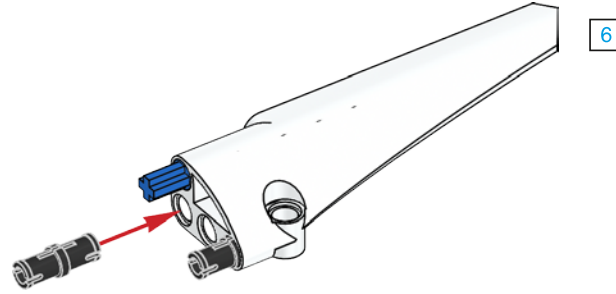


22

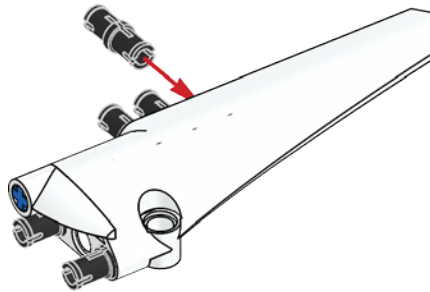




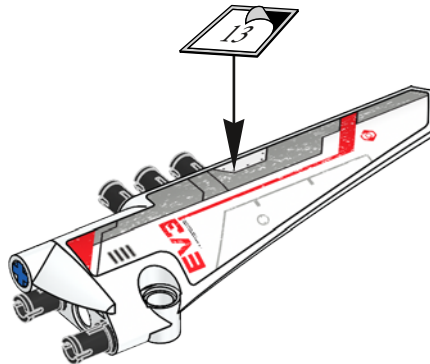
1



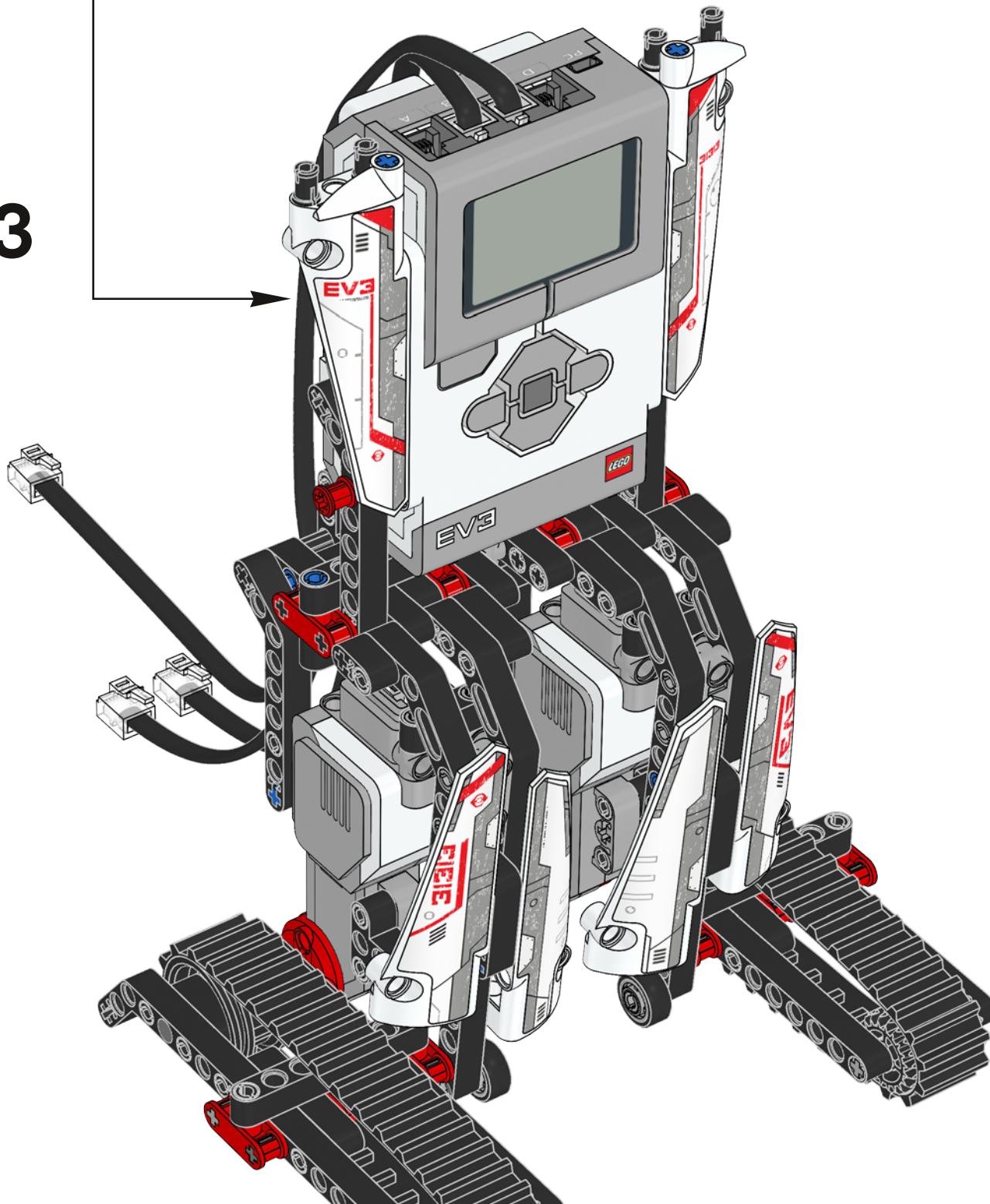
2

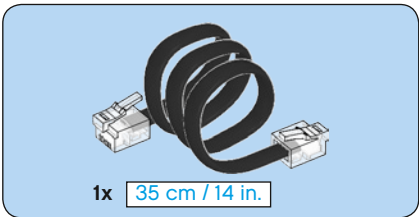


3

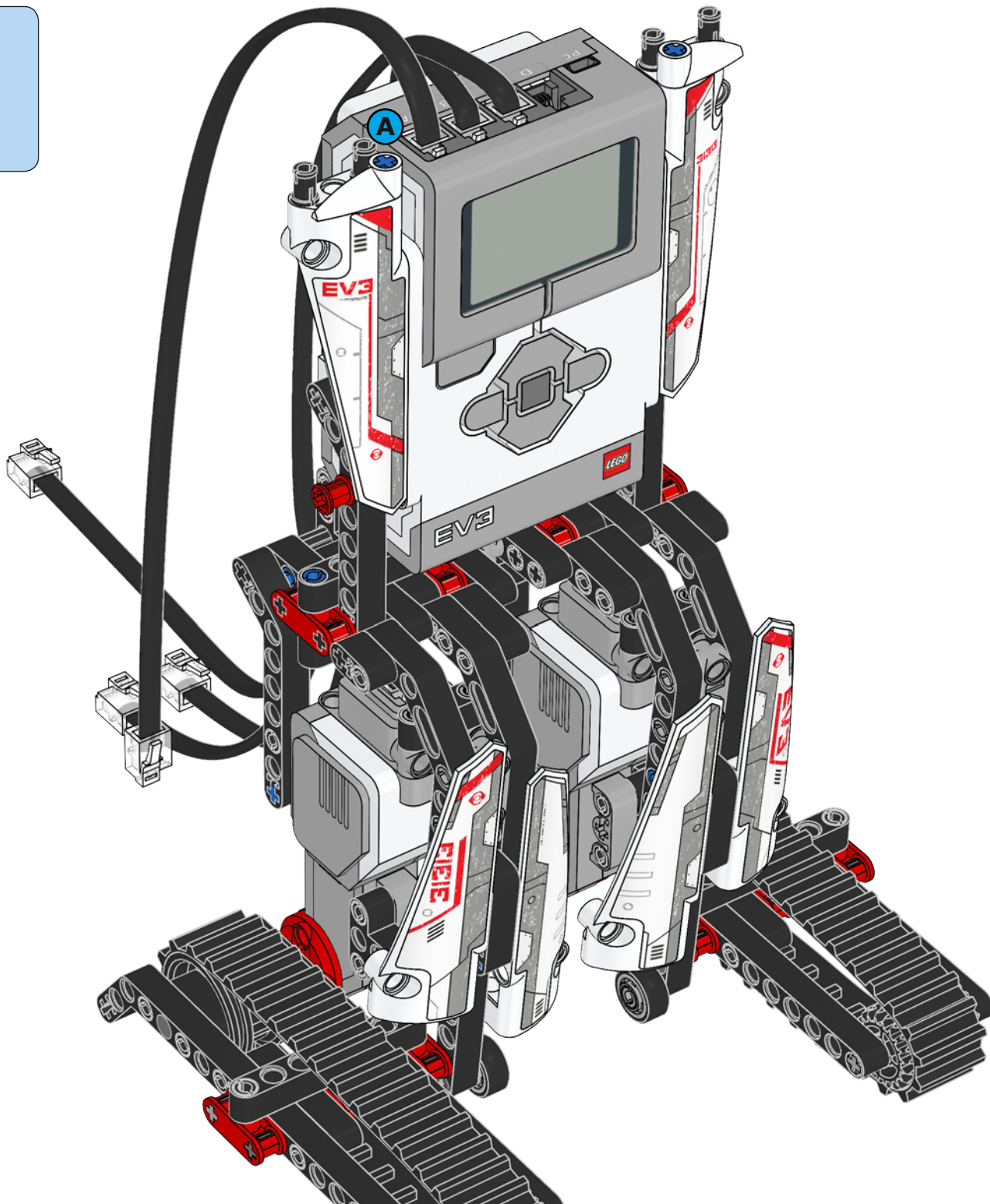


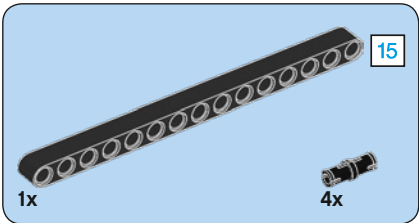
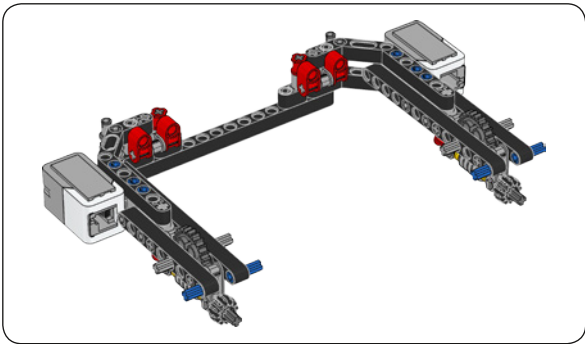
23



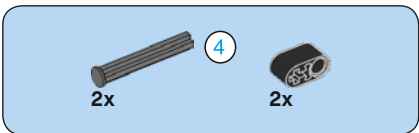
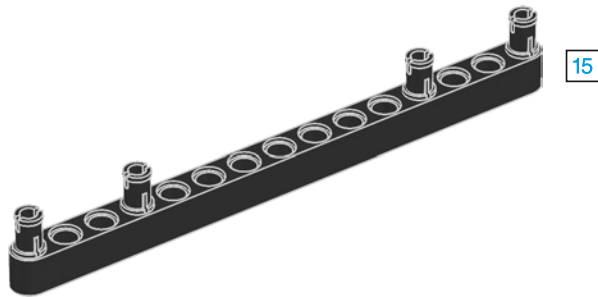


24

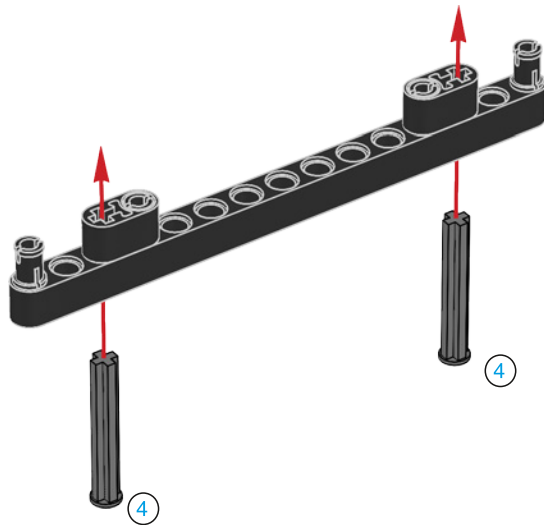


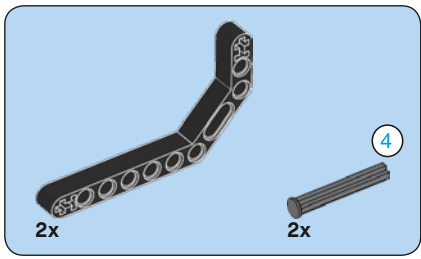


1

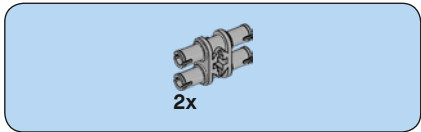
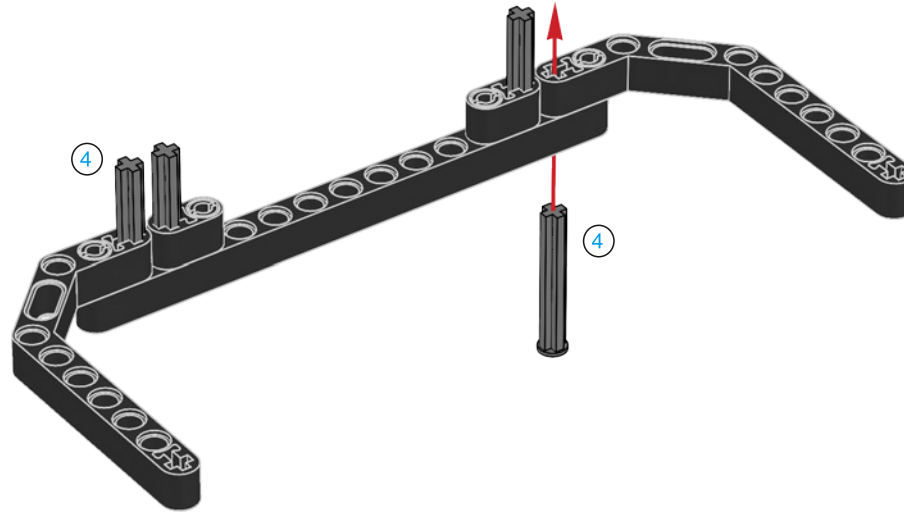


2

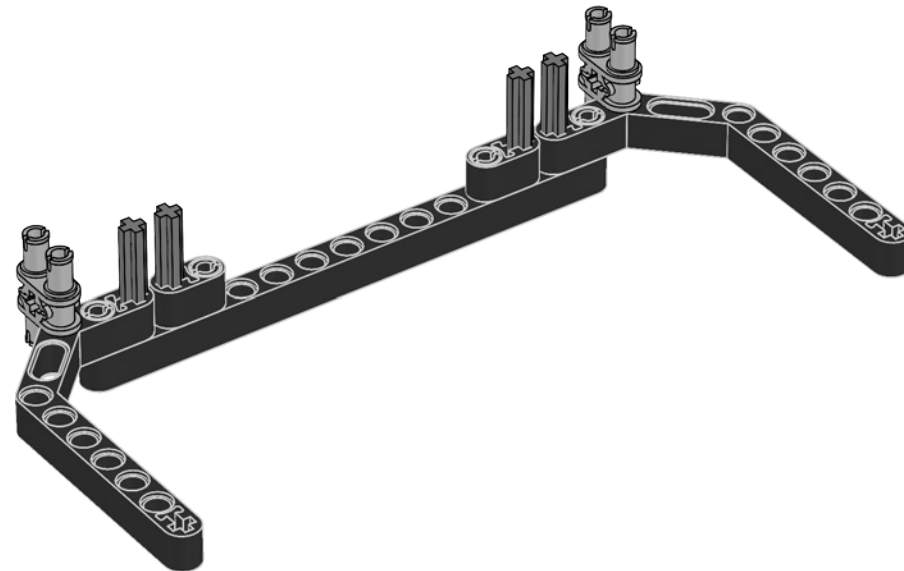


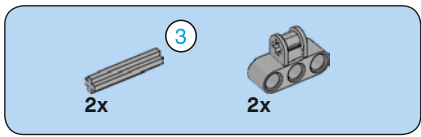


3

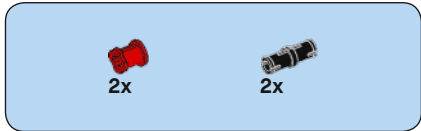
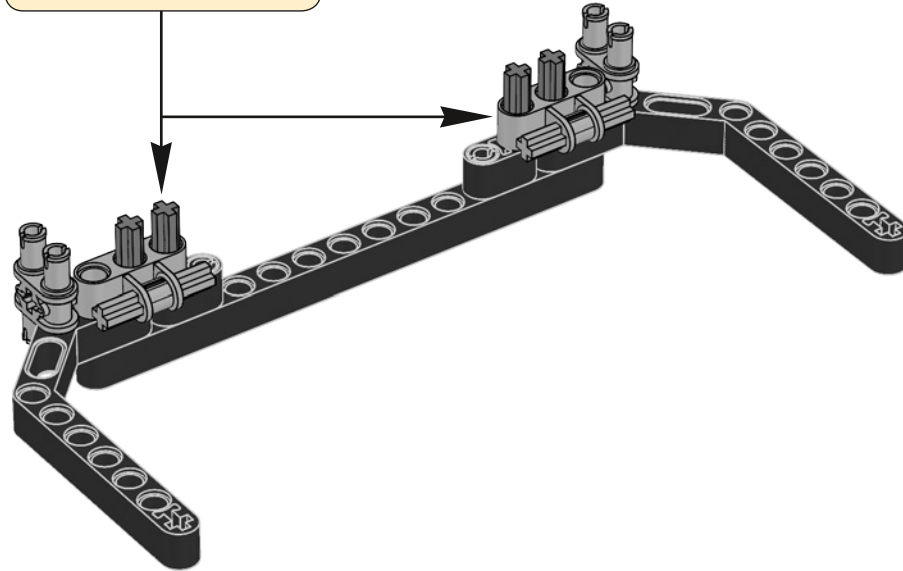
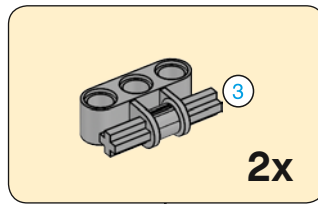


4

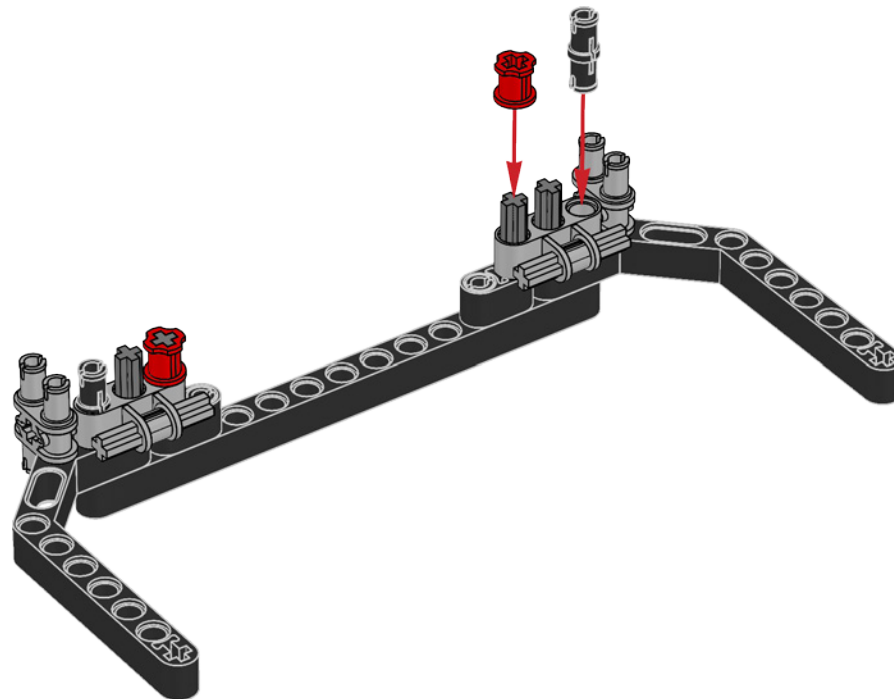


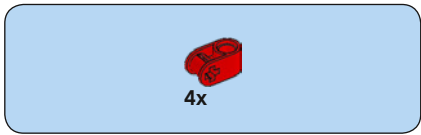


5

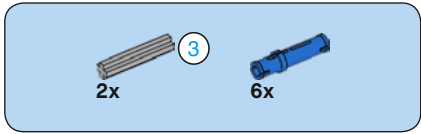
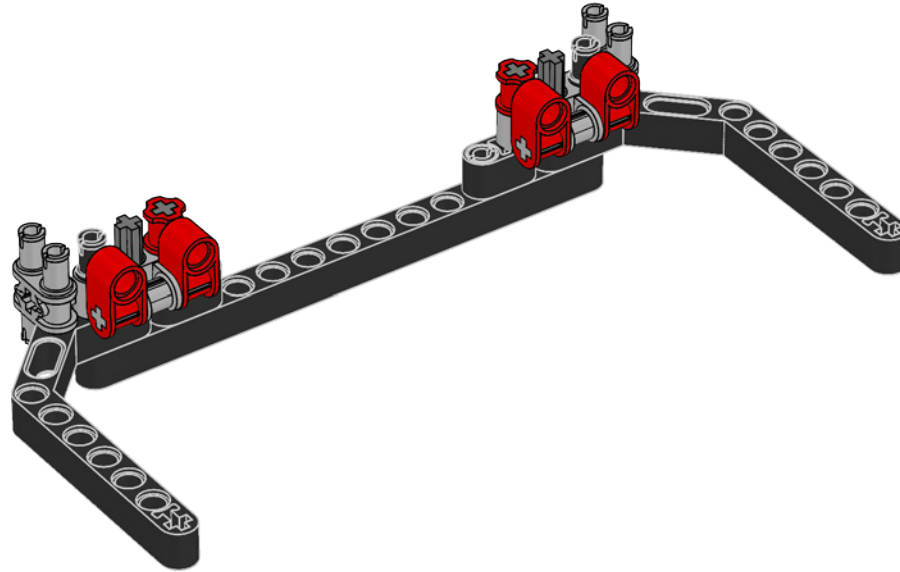


6

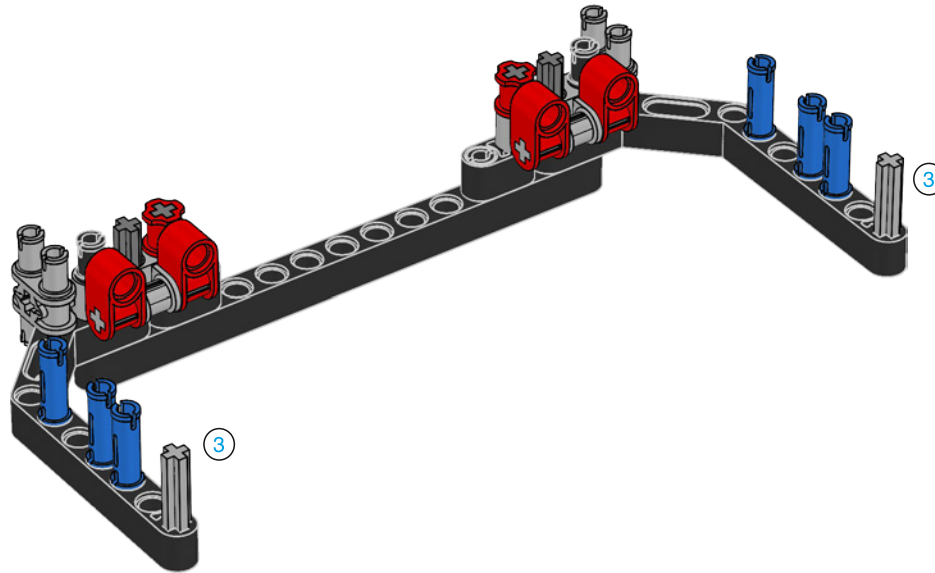


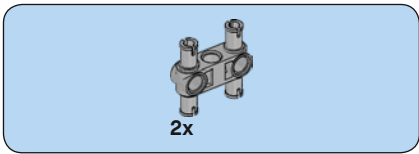


7

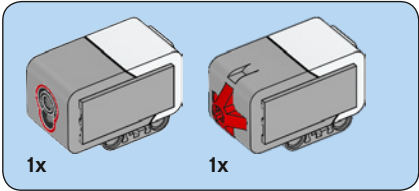
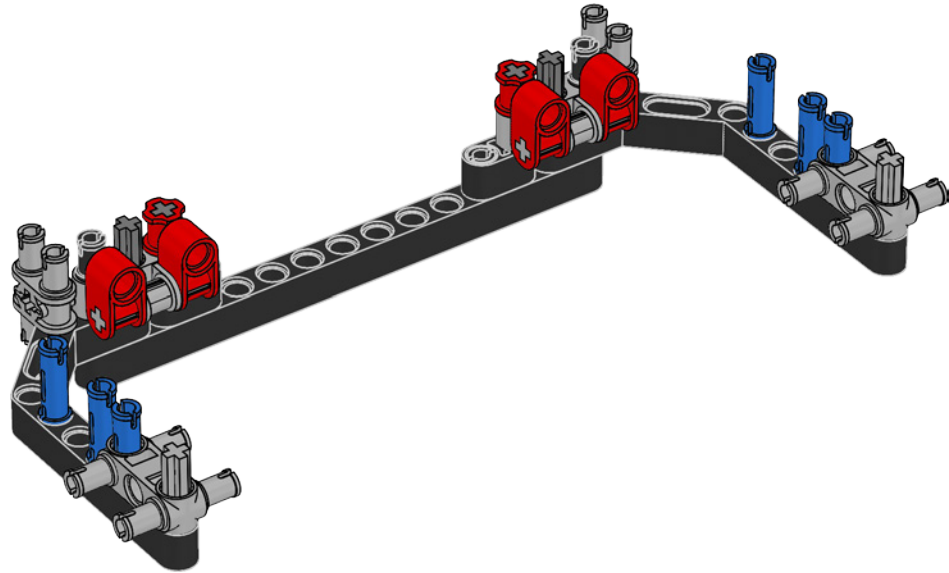


8

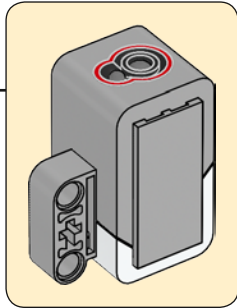
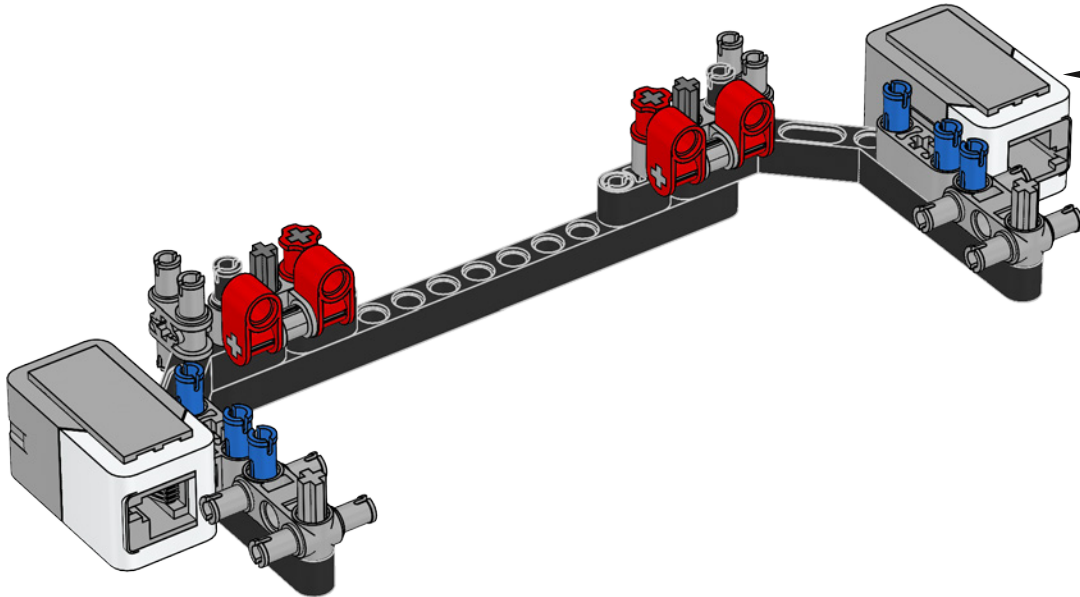
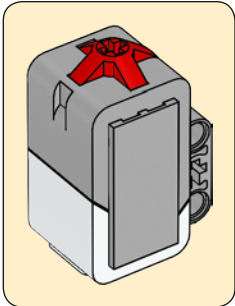


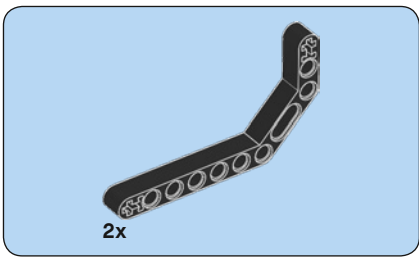


9

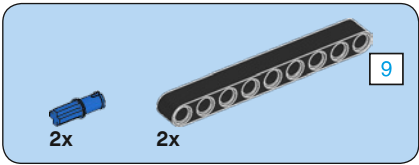
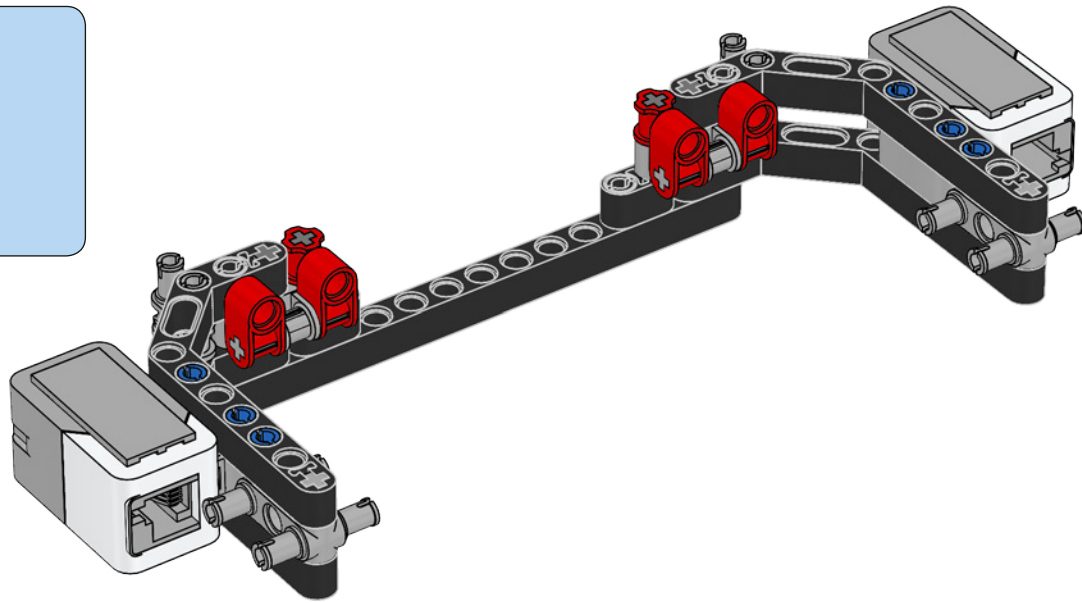


10

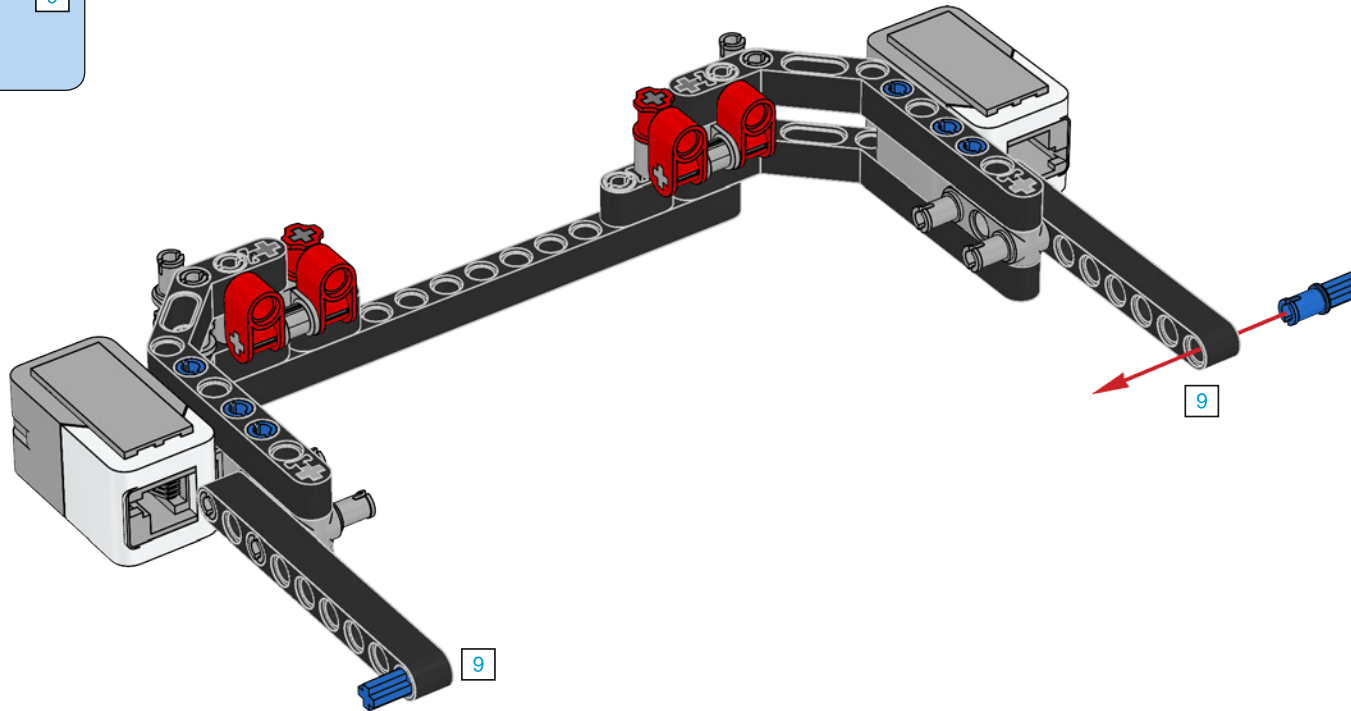


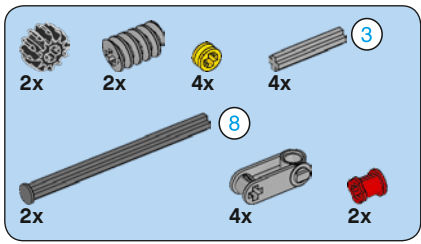


11

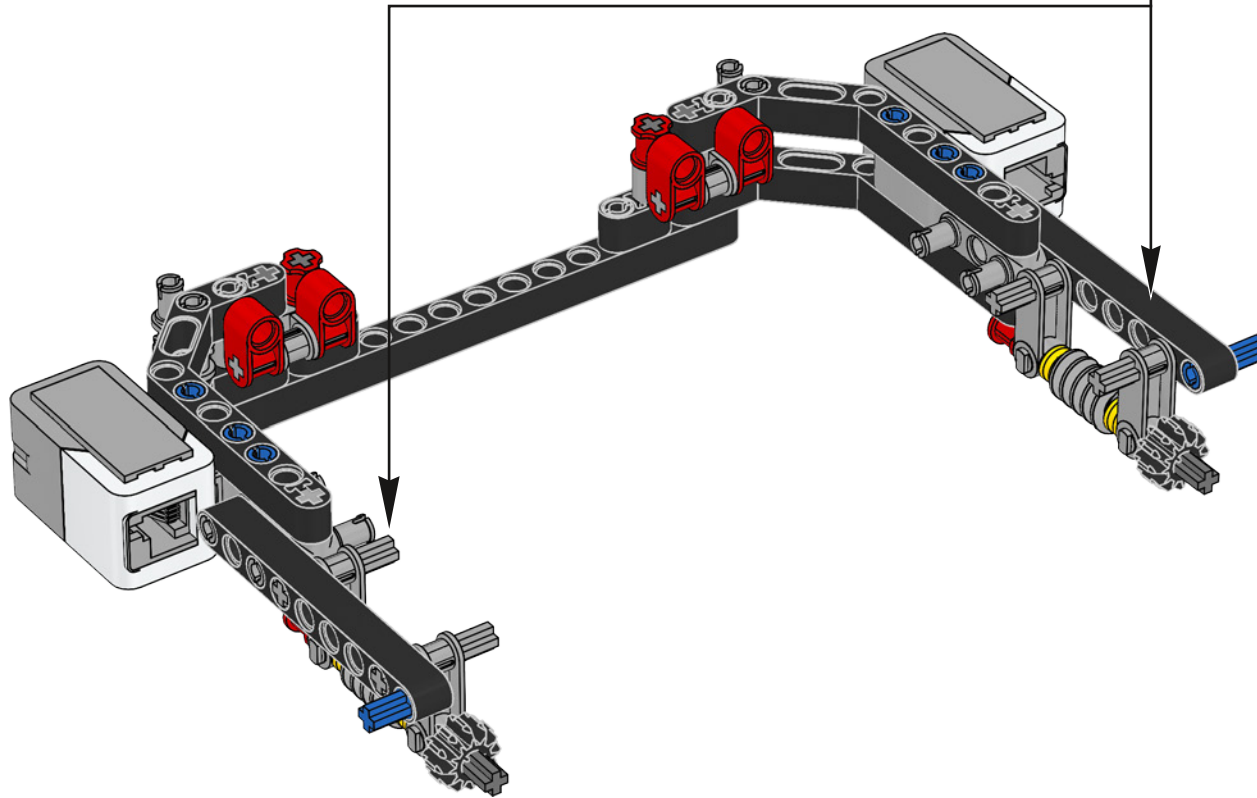


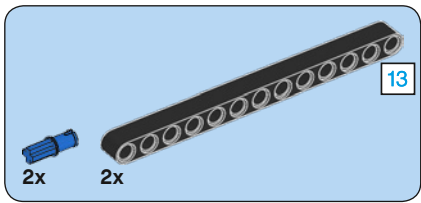
12



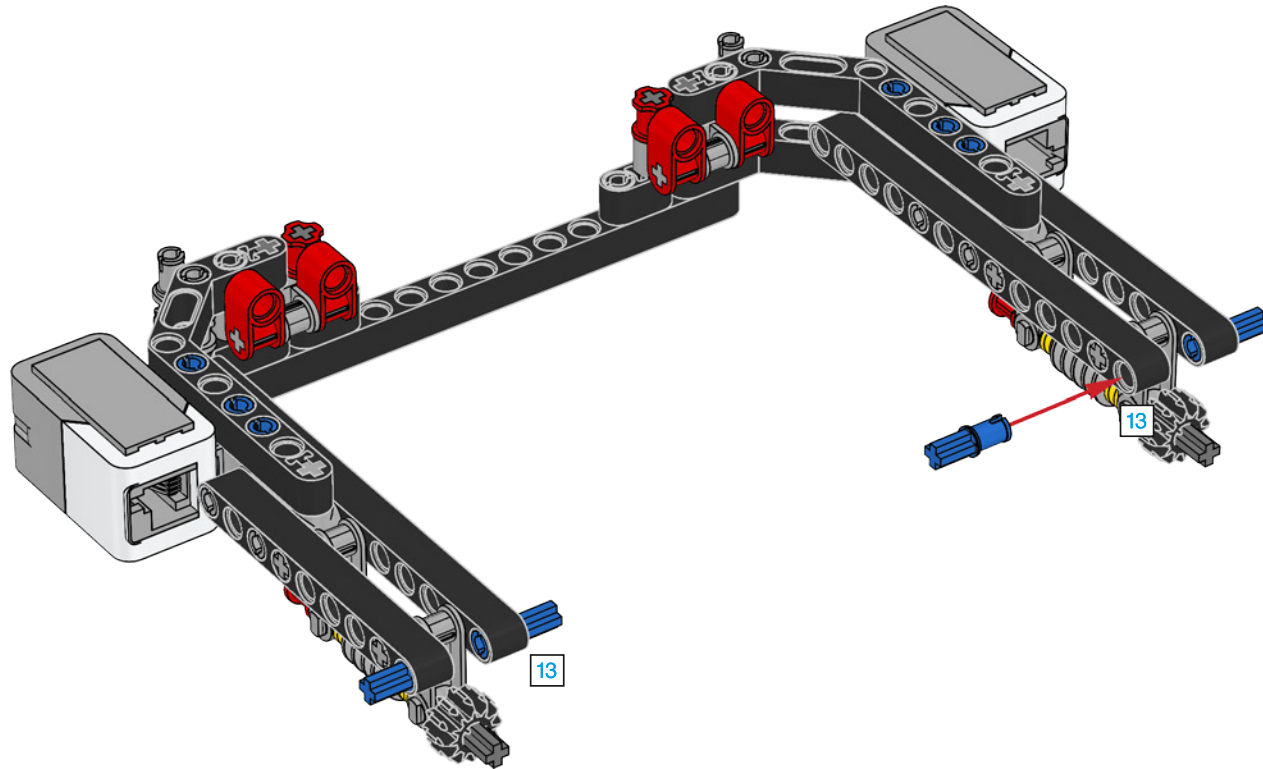


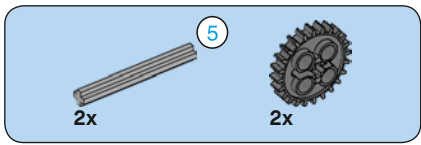
13



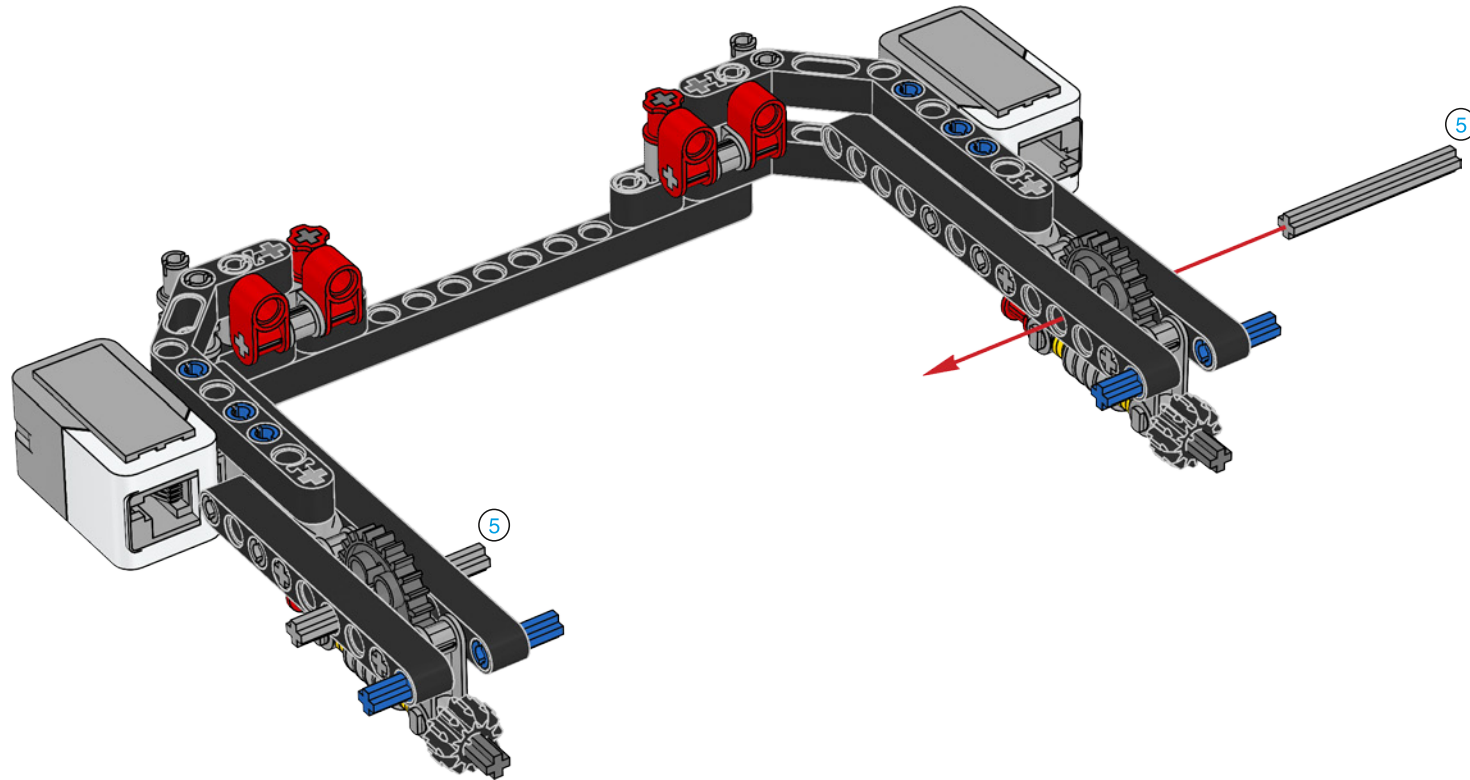


14

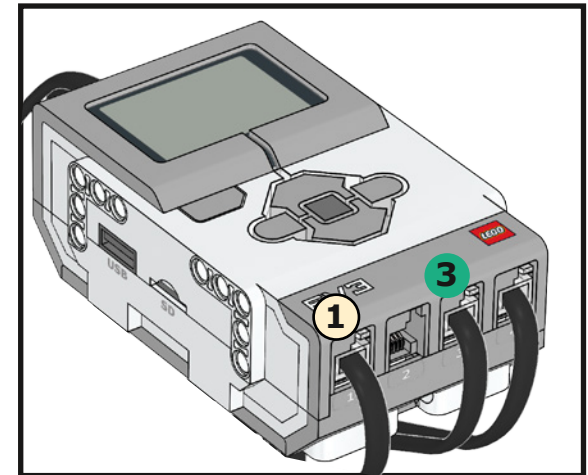
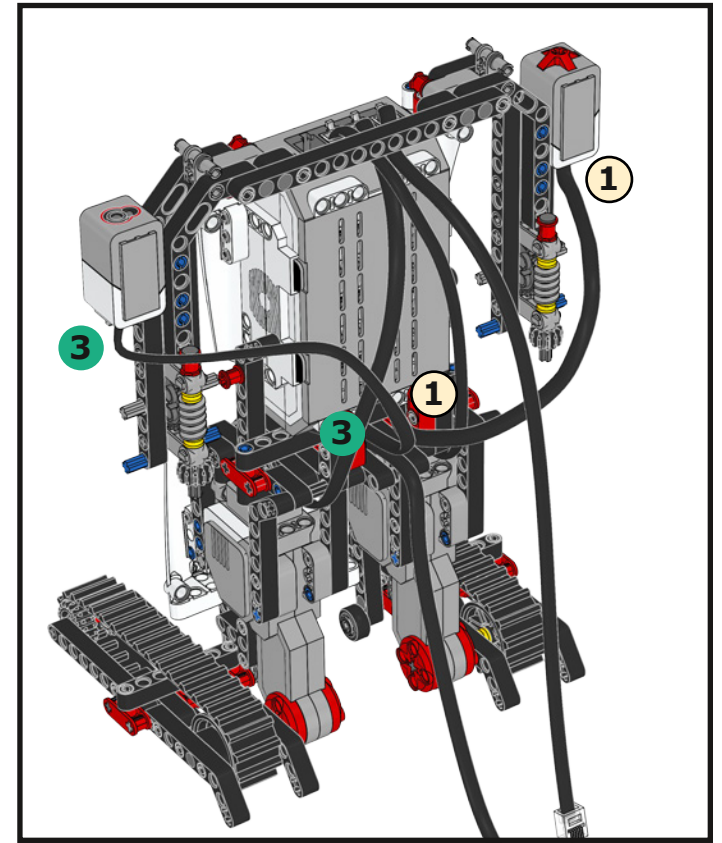
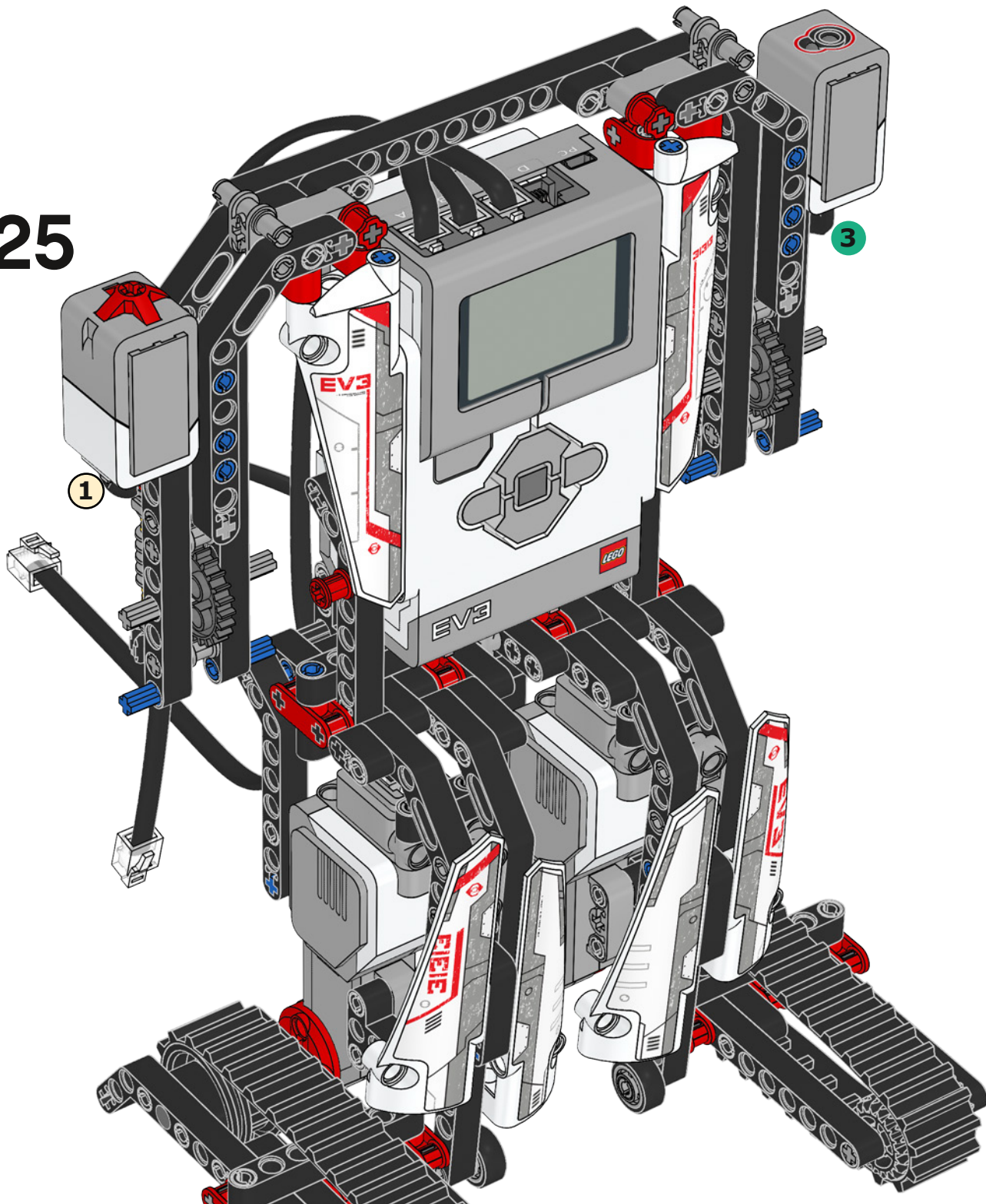


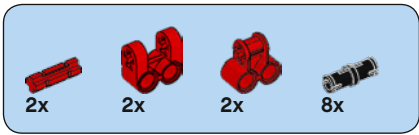


15

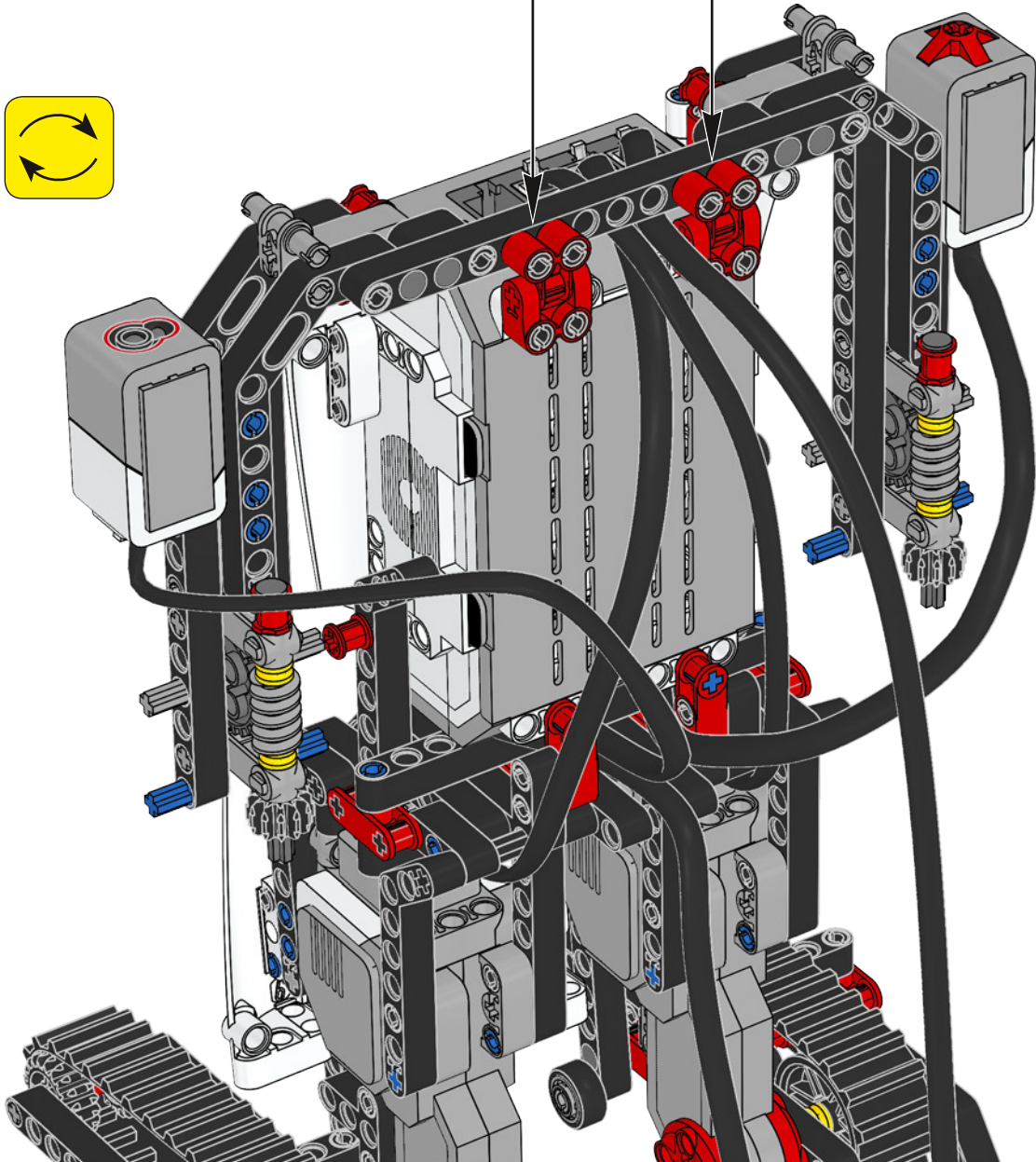
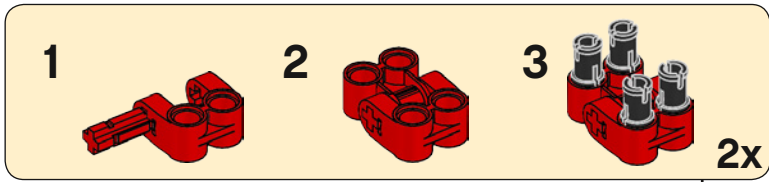


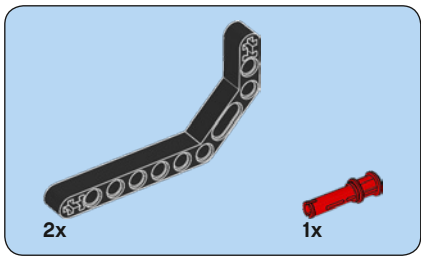
25



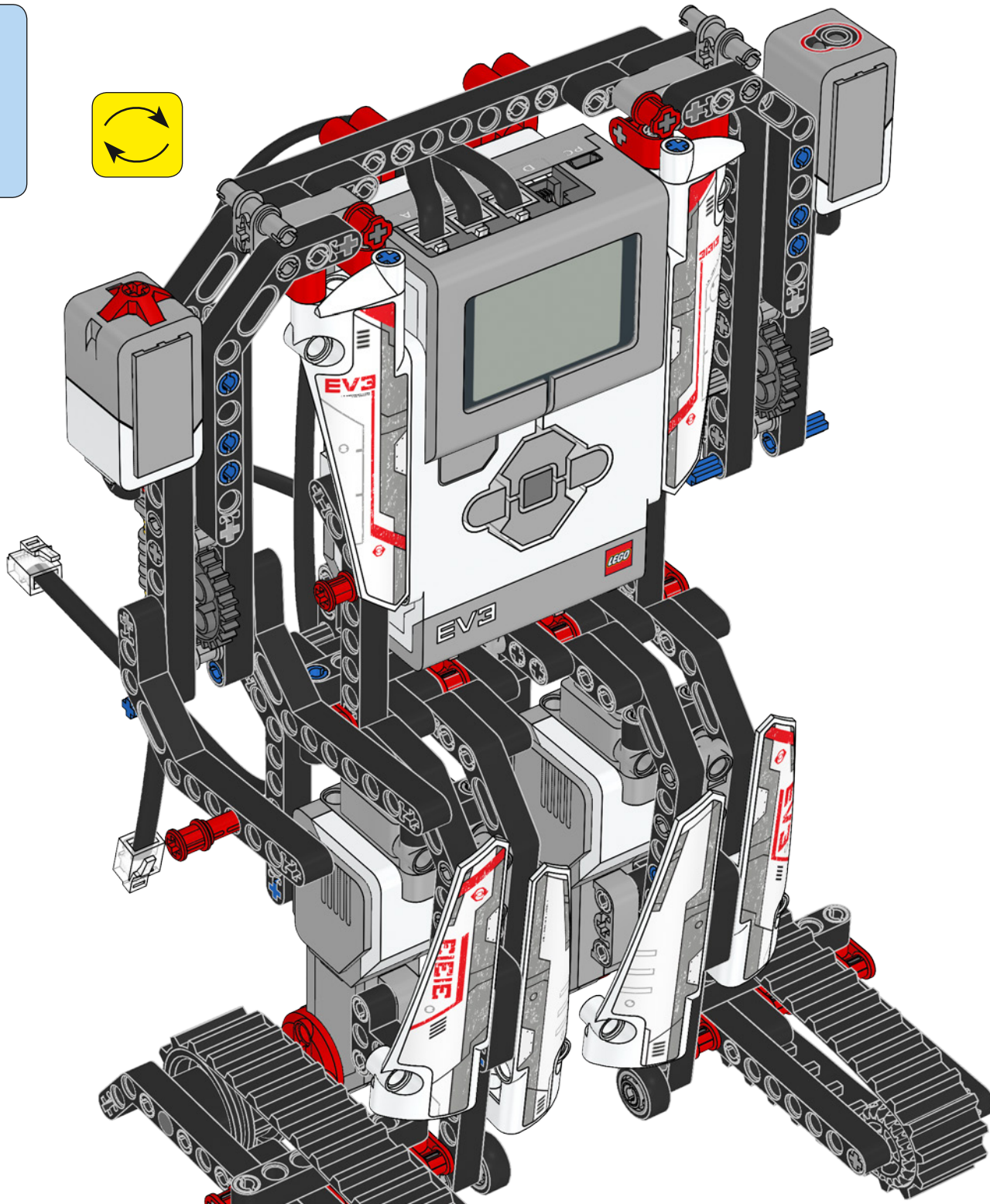


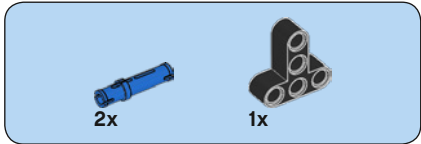
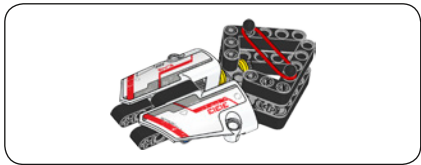
26



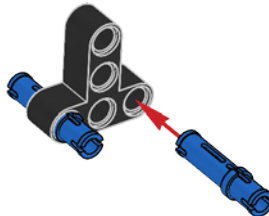


27



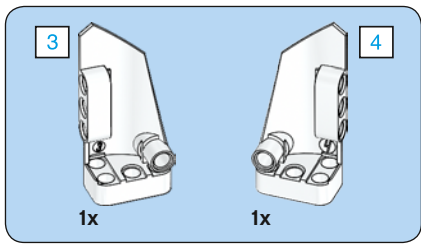


1

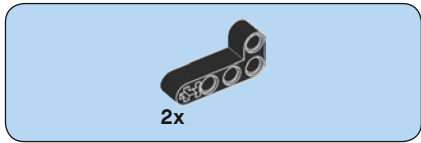
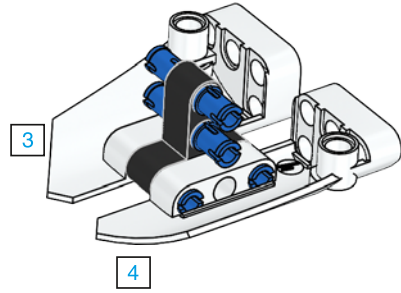


2

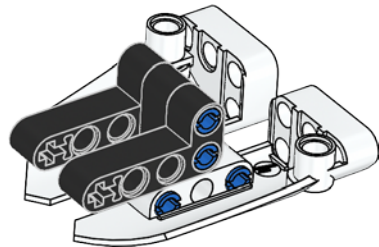


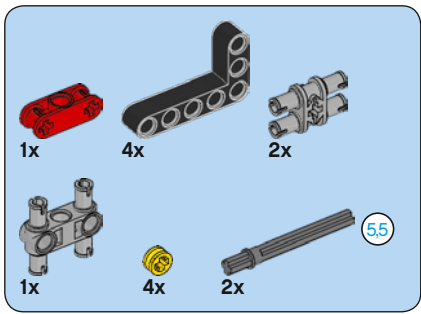


3

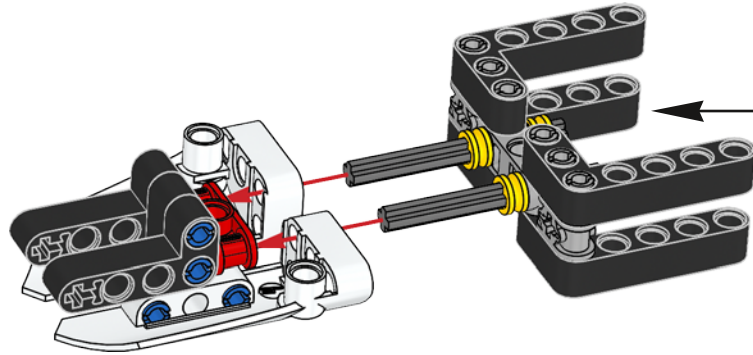
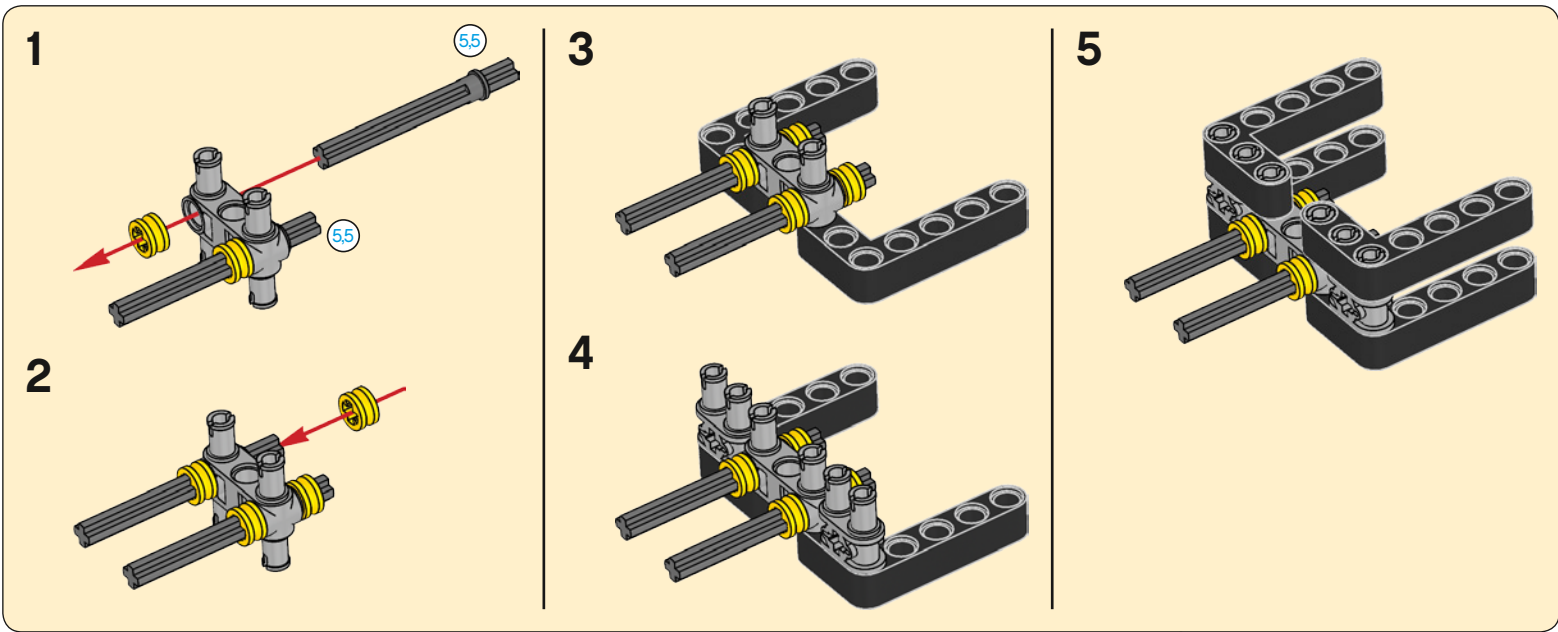


4





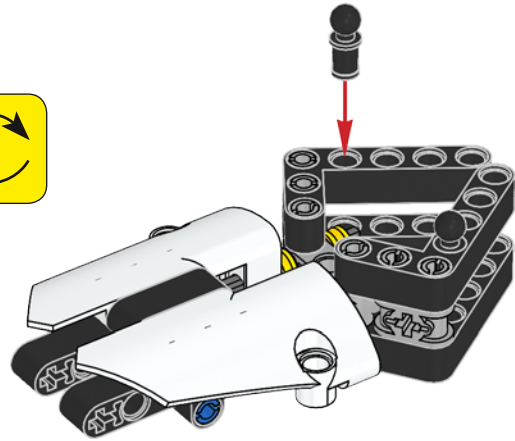
5





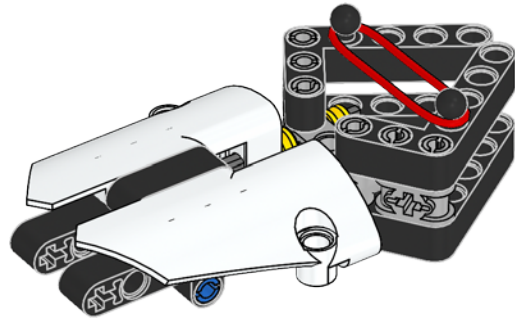
2x

6

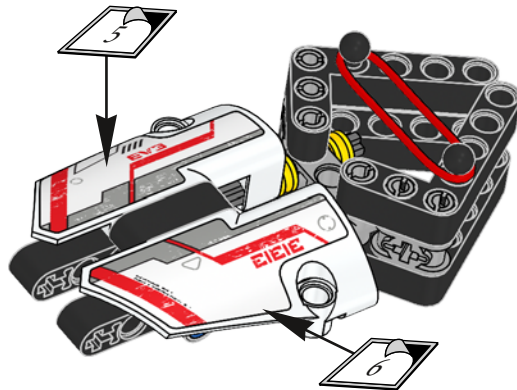


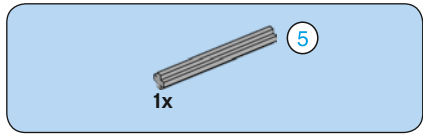
1x

7

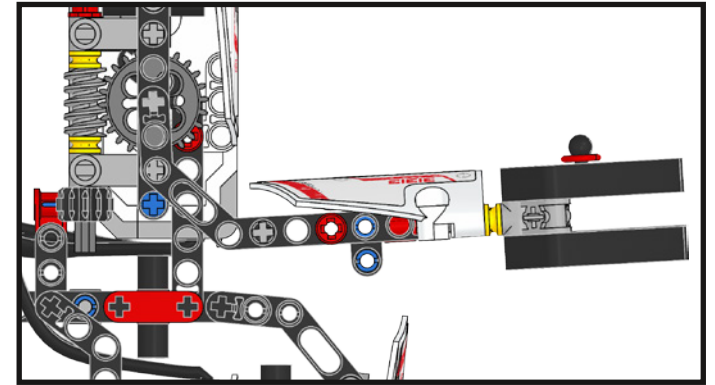
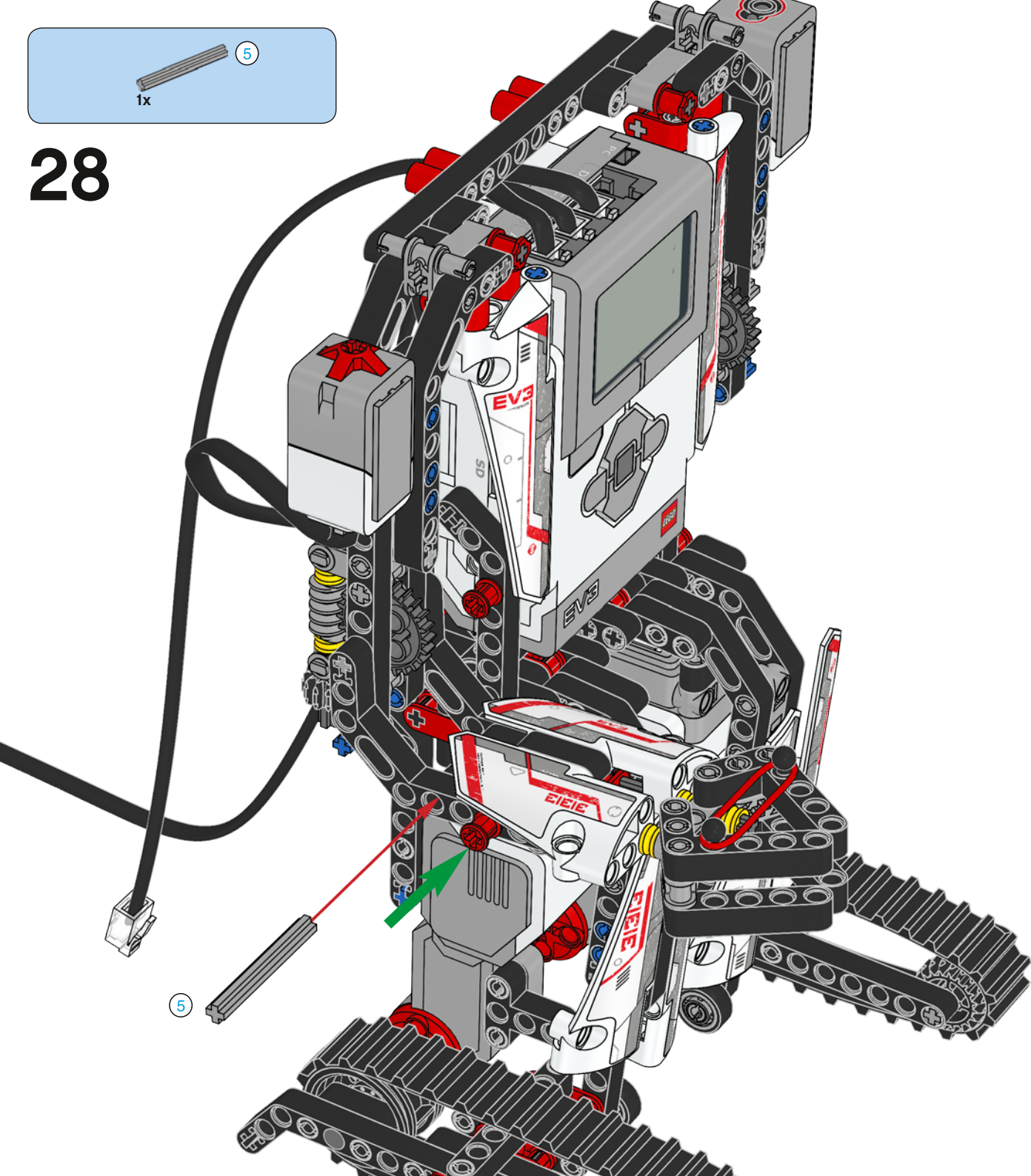


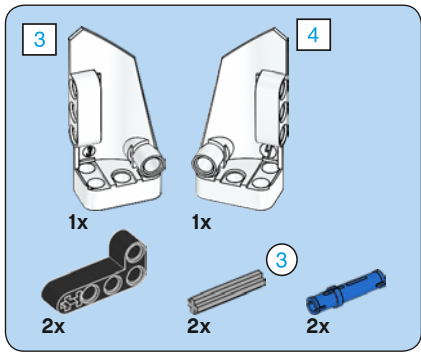
8



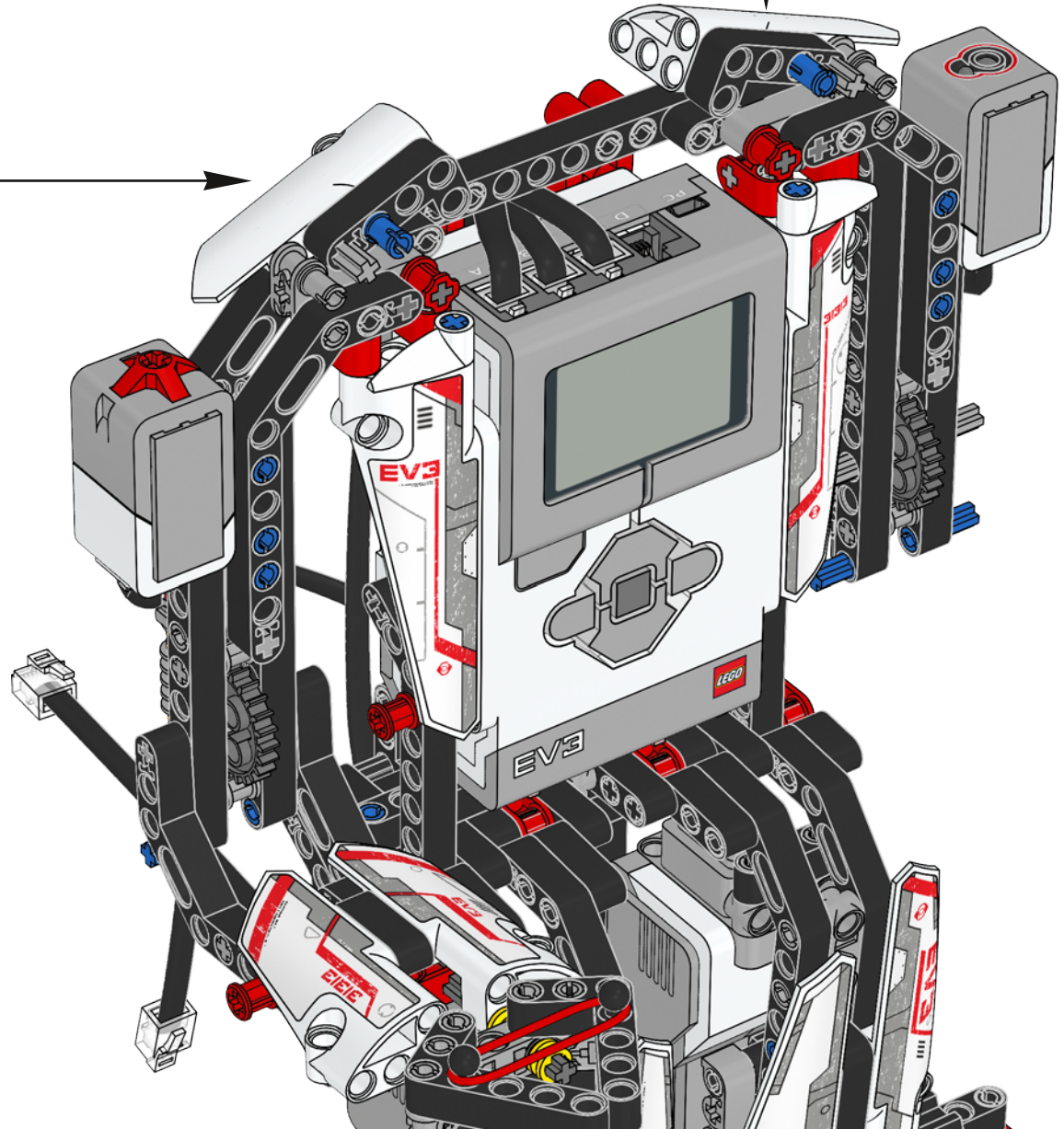
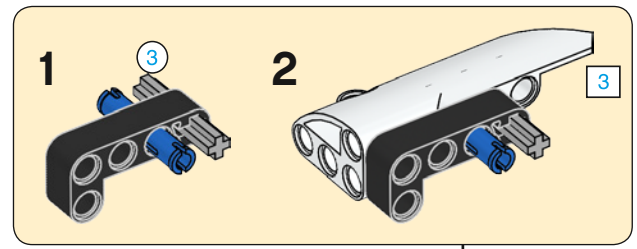
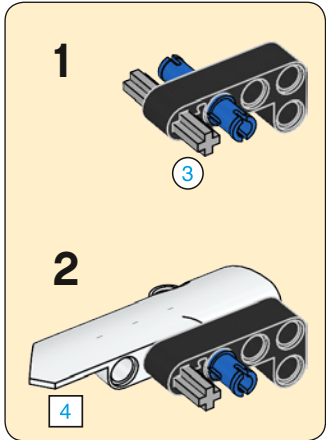


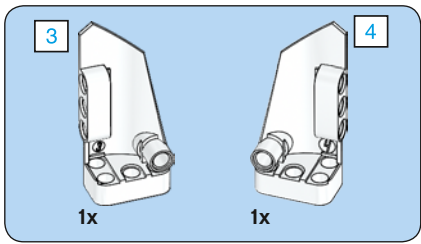
28



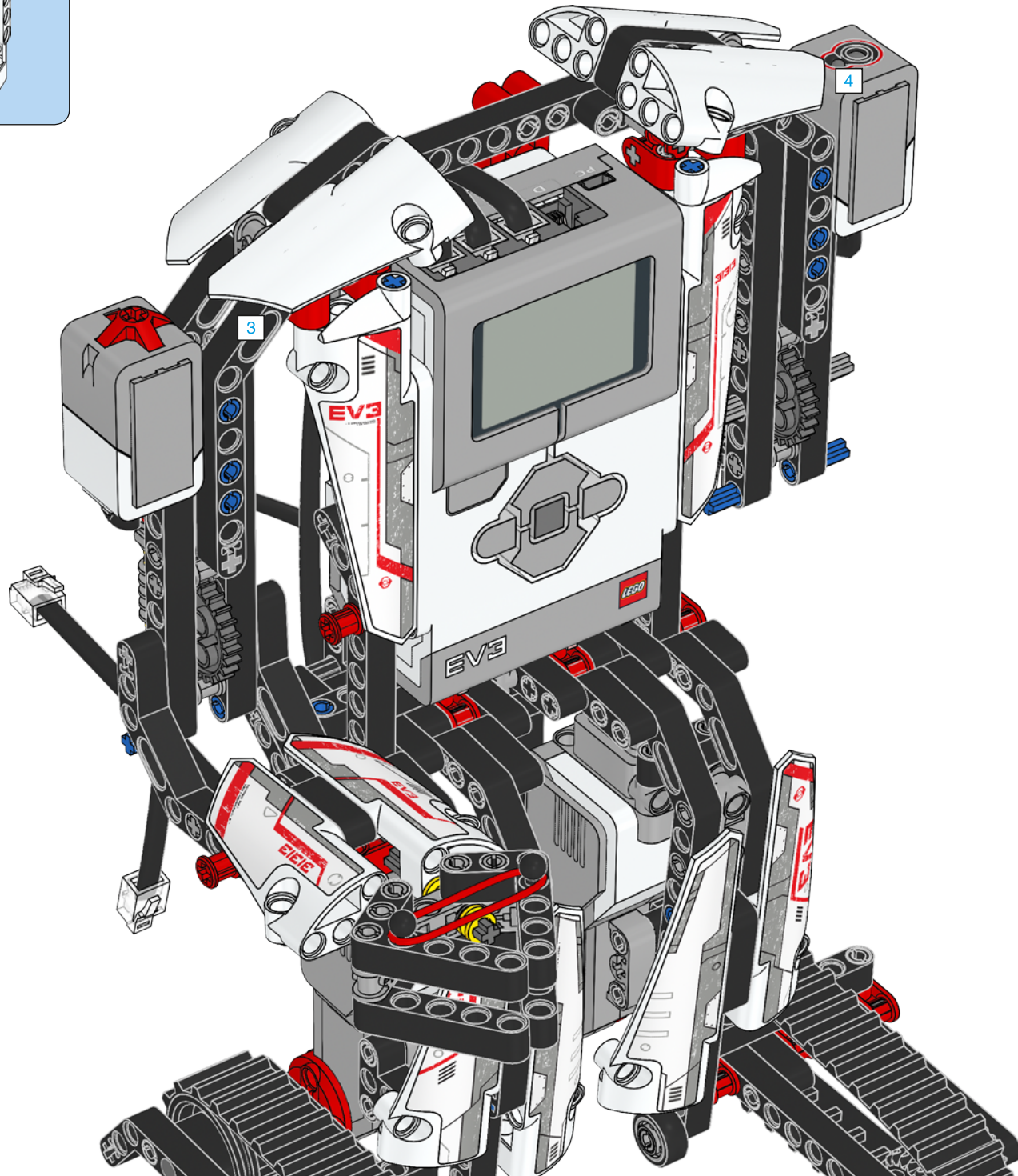


29

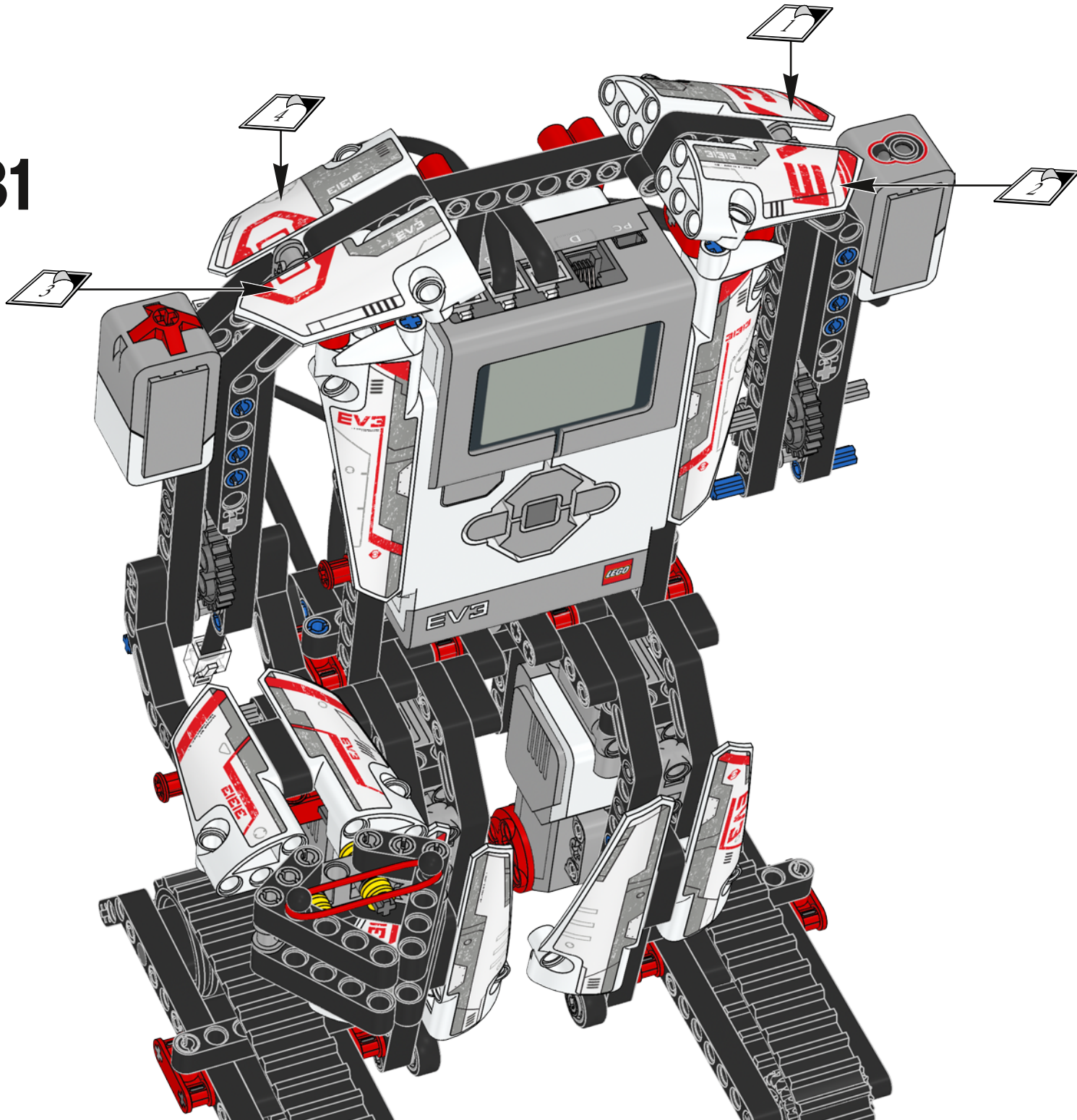


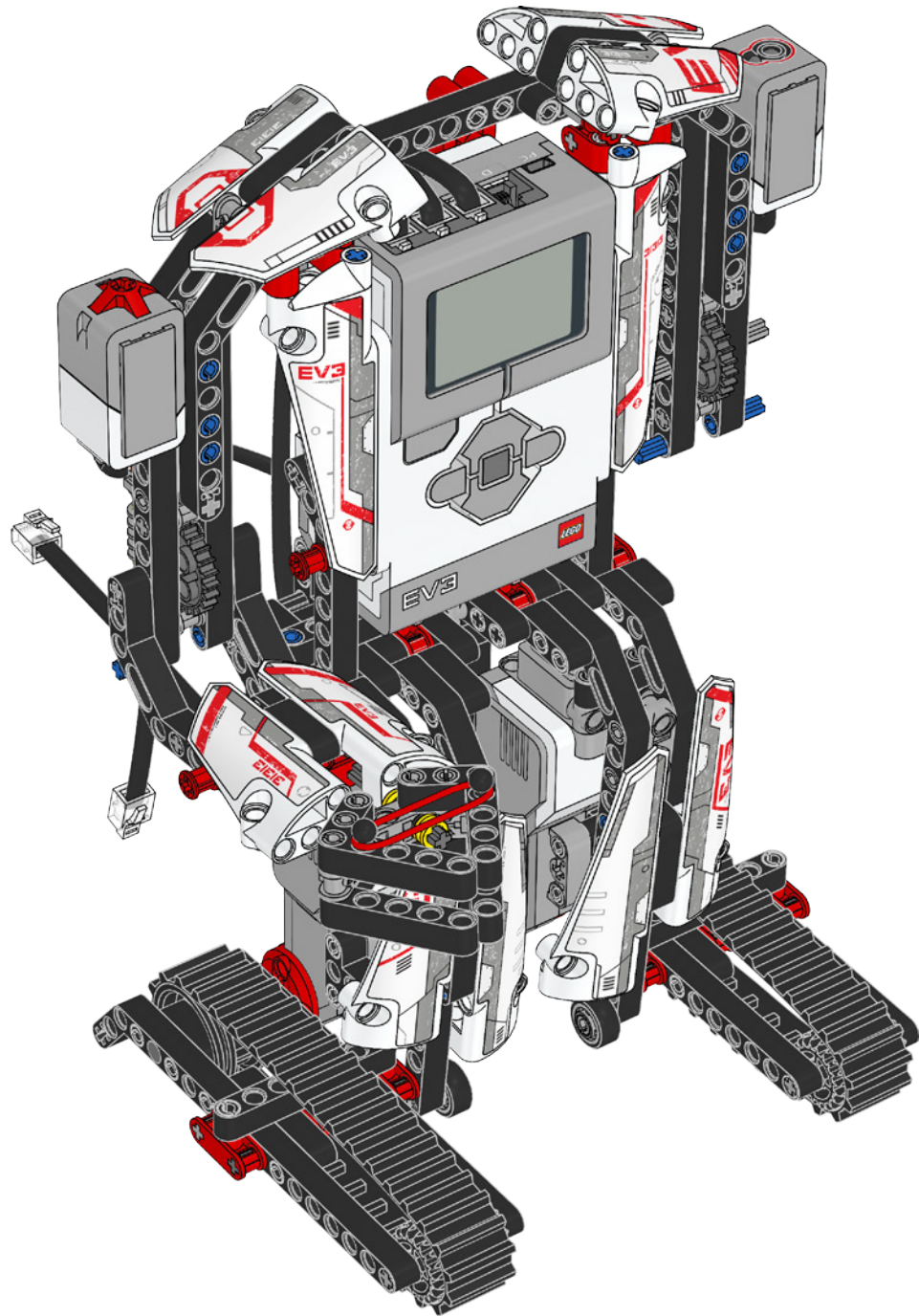


30



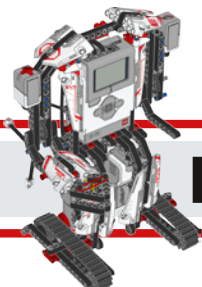
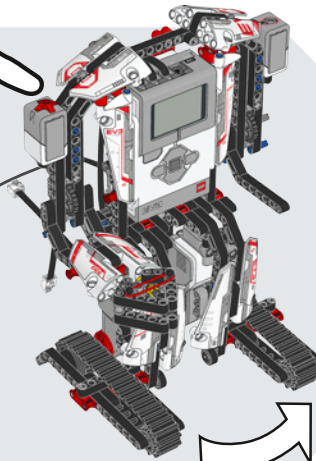
31







LEGO® MINDSTORMS®
EV3 Programmer
The LEGO Group



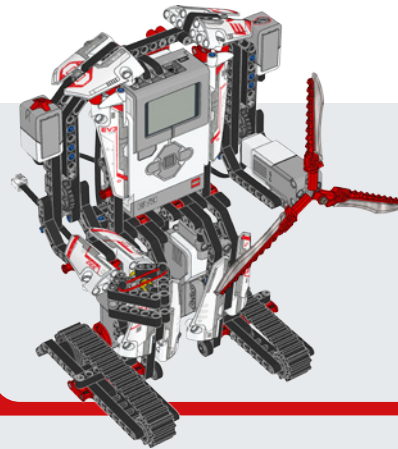
MISSION 02

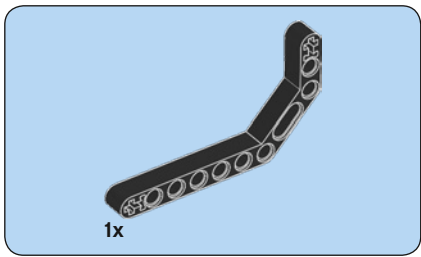


LEGO.com/mindstorms/software

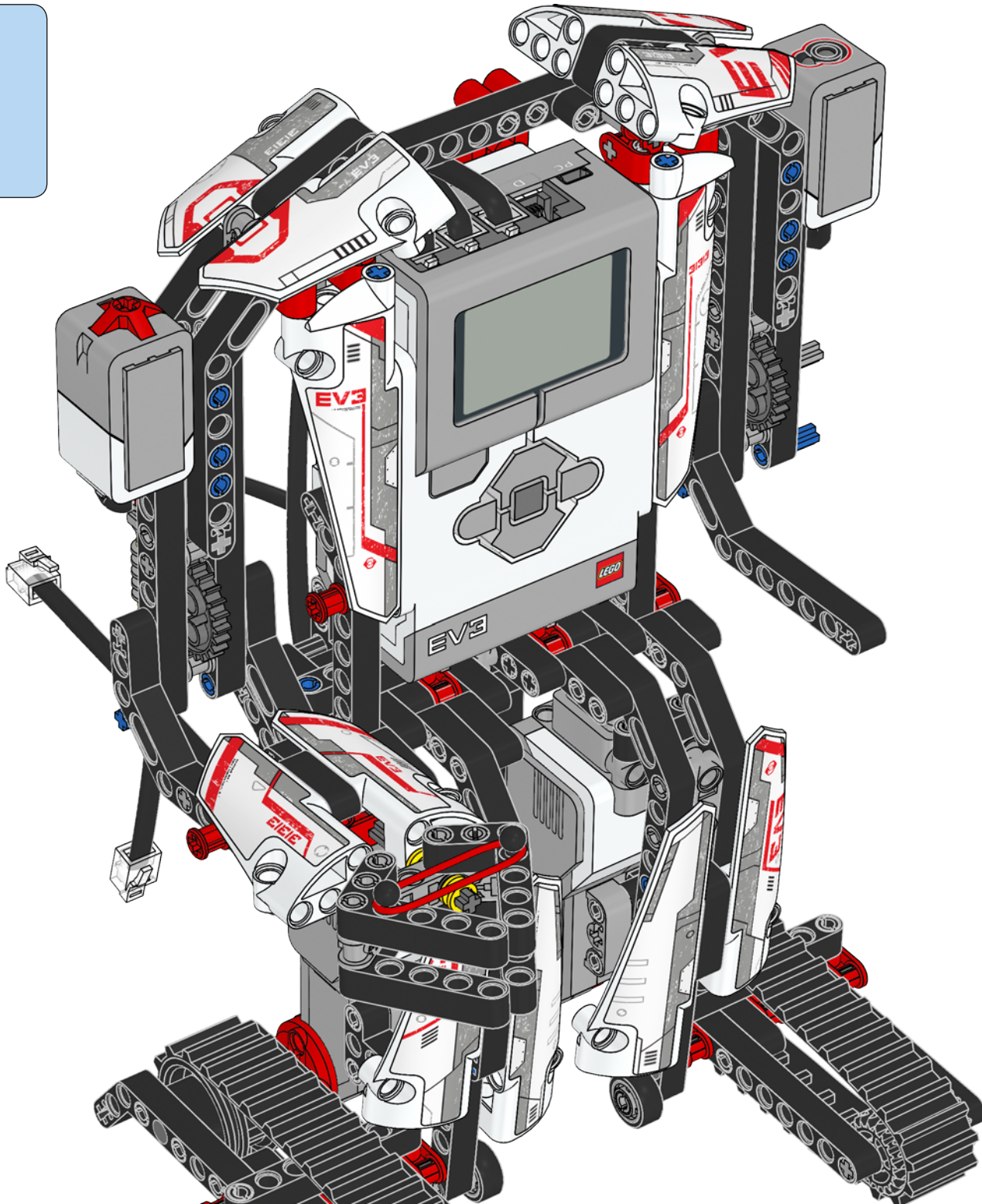


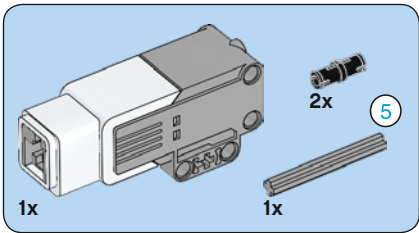
MISSION 03



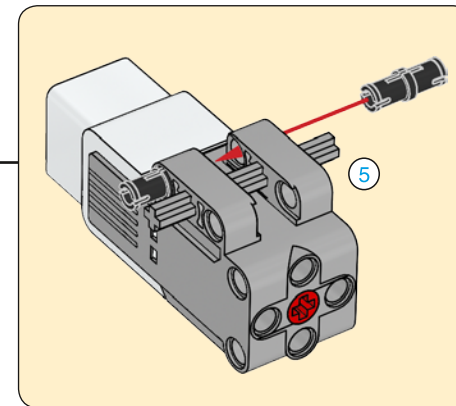
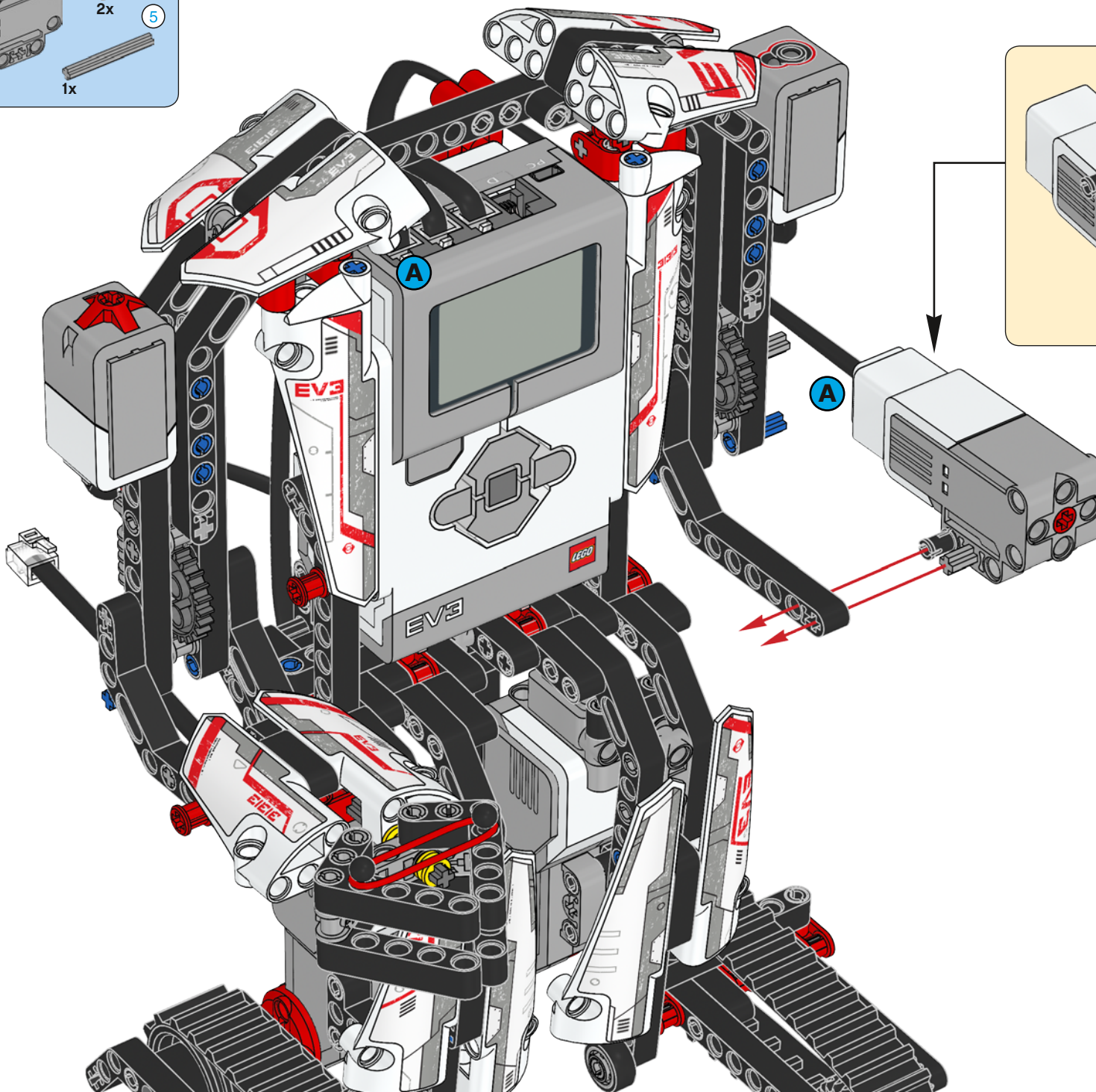


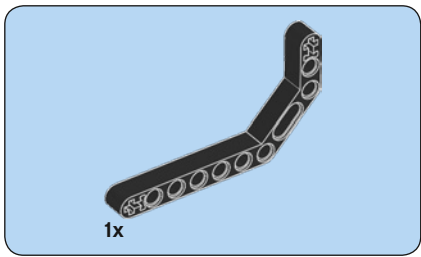
32



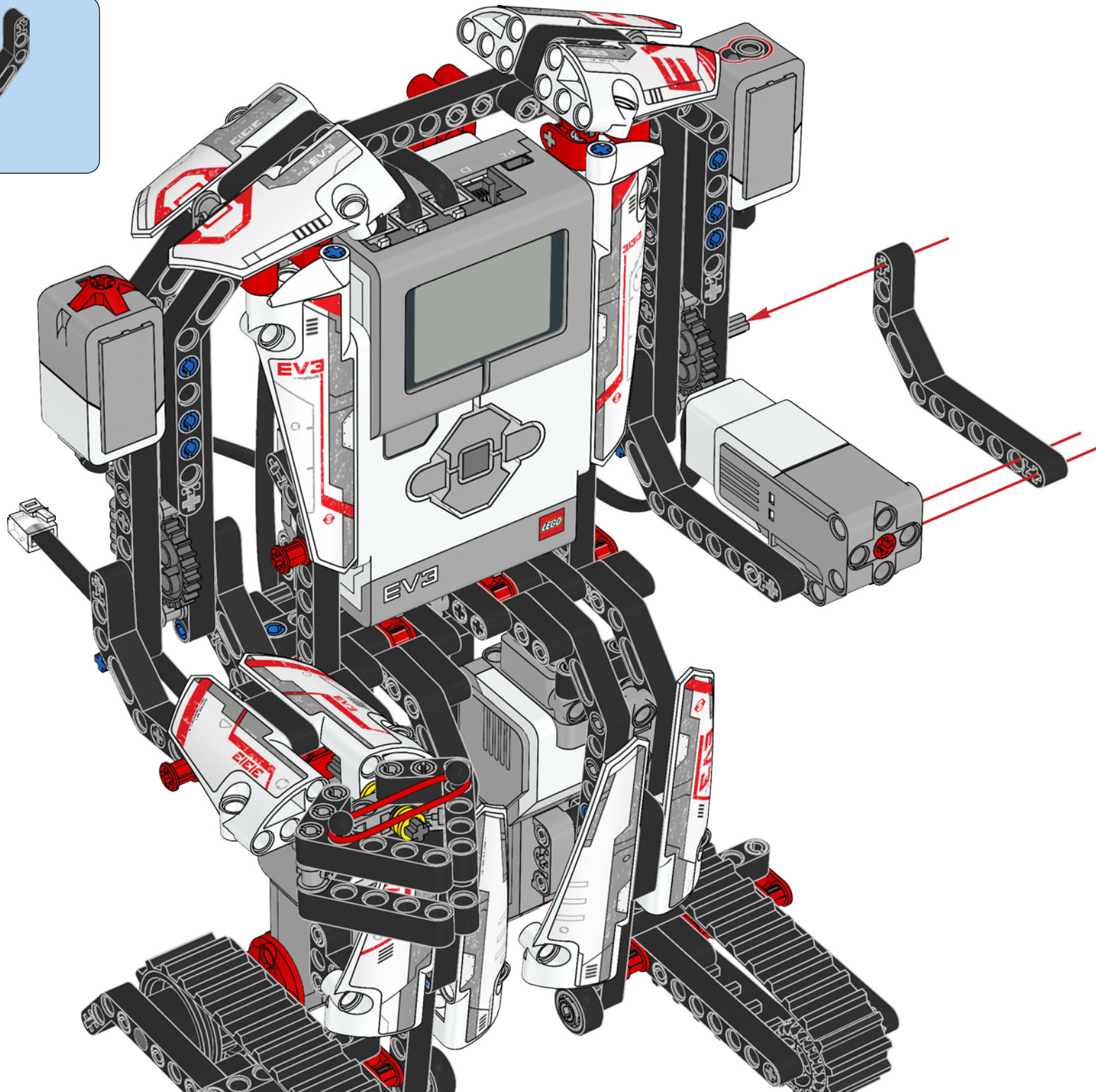


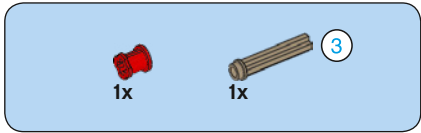
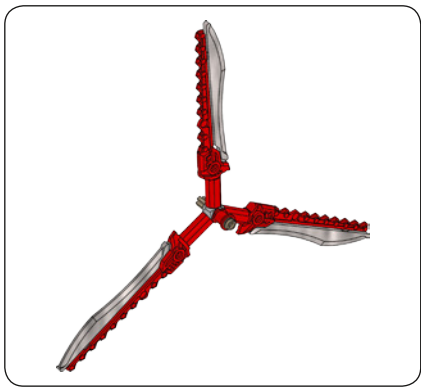
33



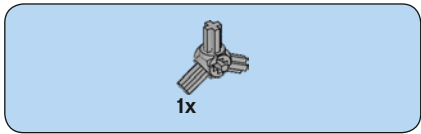
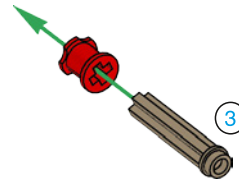


34

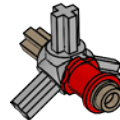


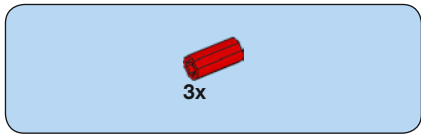


1

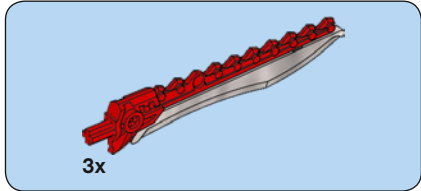
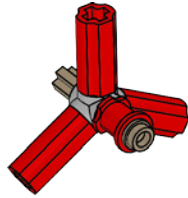


2

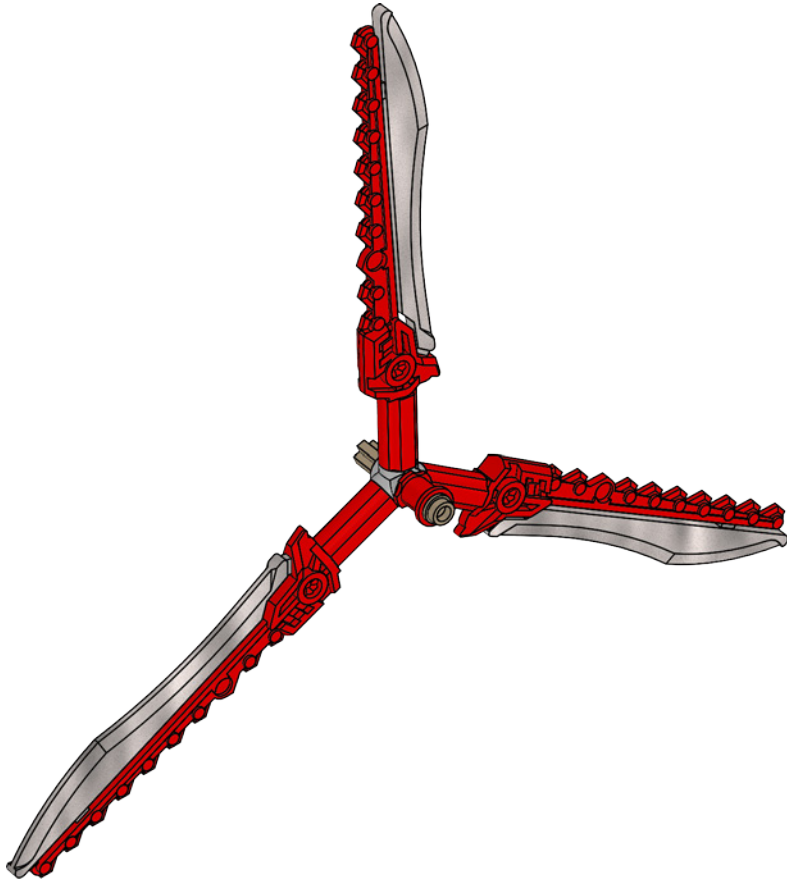




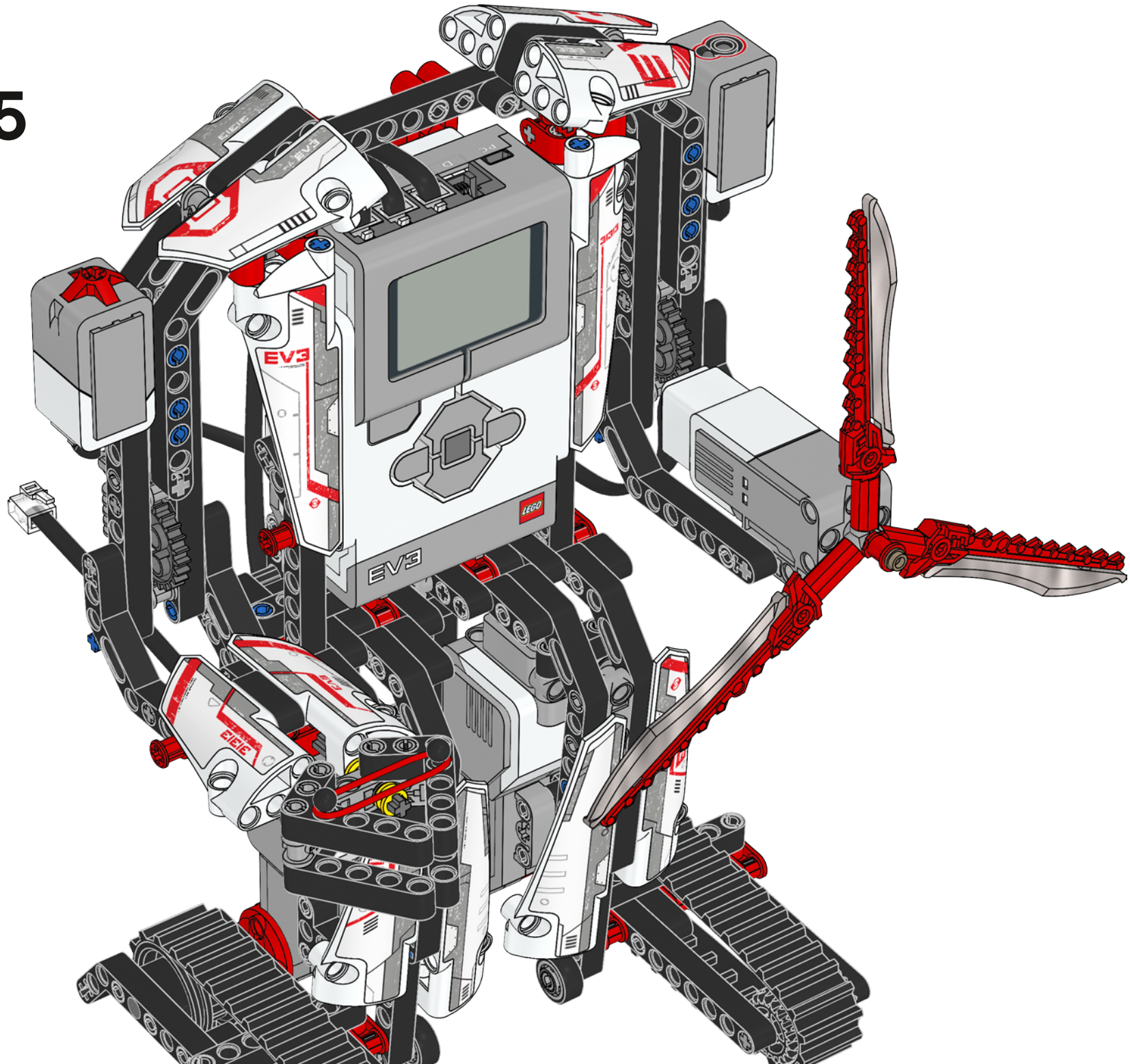
3

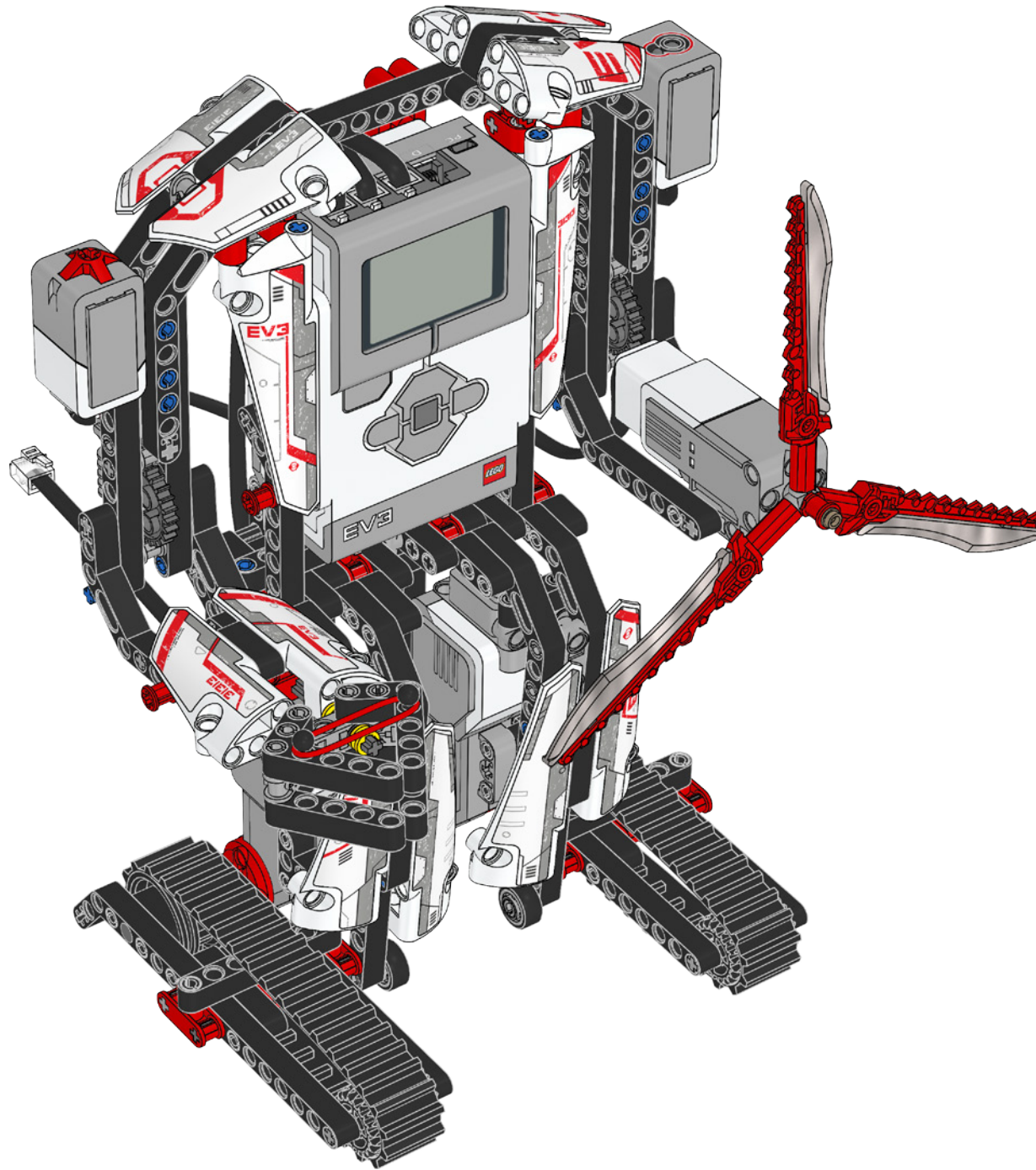


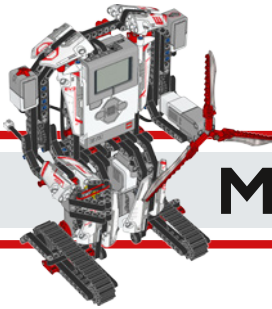
4



35







MISSION 03

Download on the
App Store

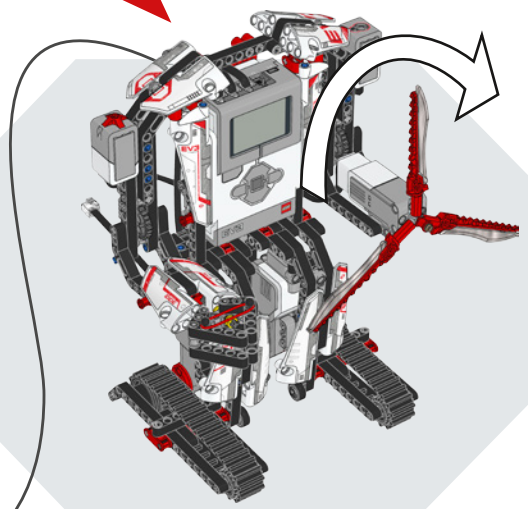
GET IT ON
Google play



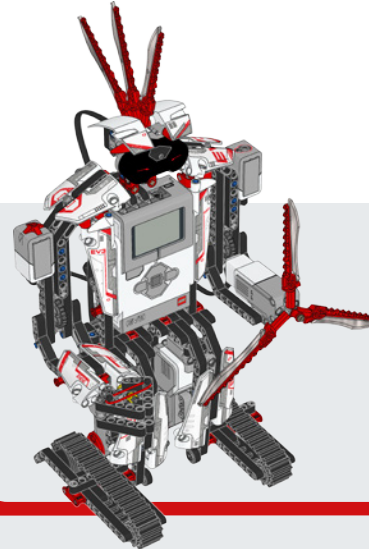
LEGO® MINDSTORMS®
EV3 Programmer
The LEGO Group

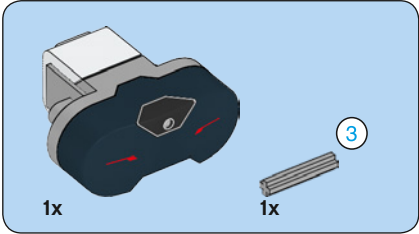
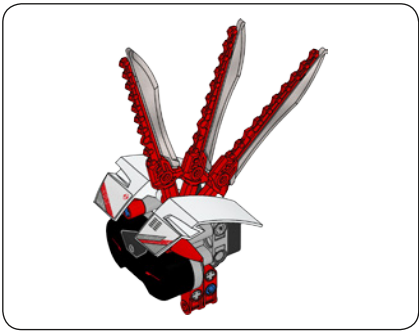


LEGO.com/mindstorms/software

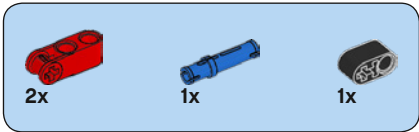
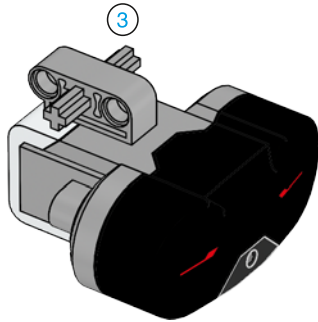


MISSION 04

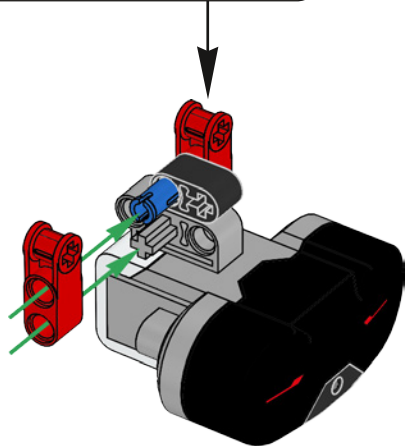
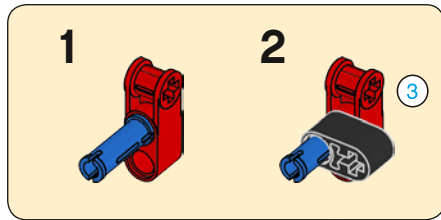


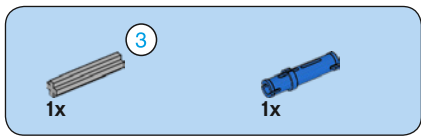


1

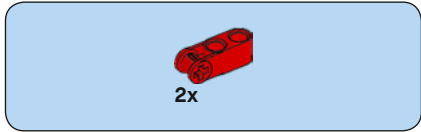
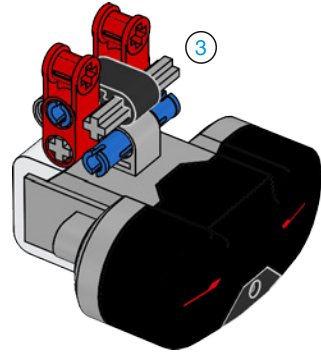


2

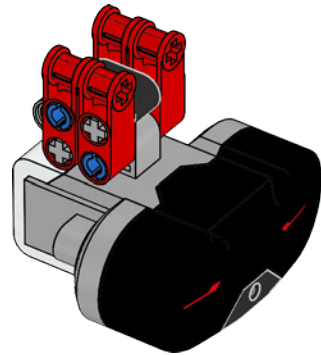


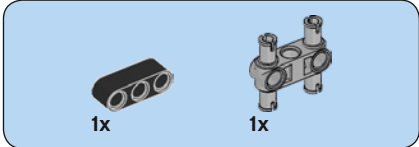
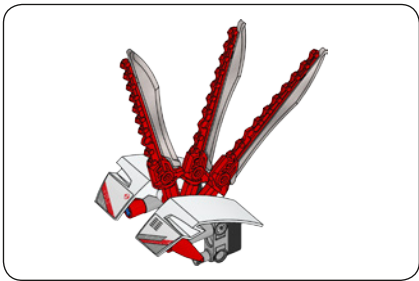


3

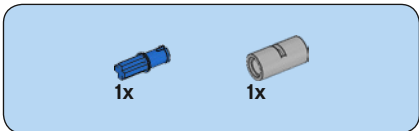
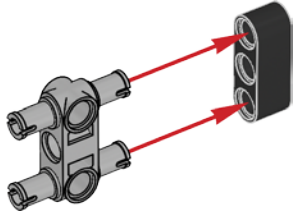


4

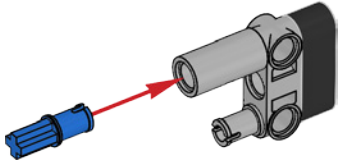


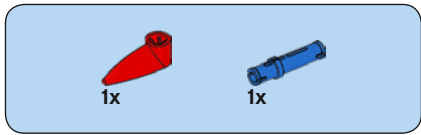


1

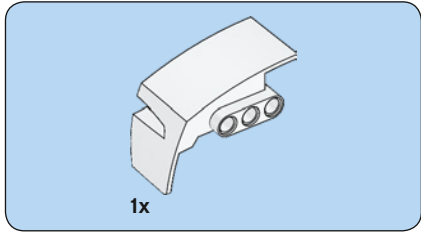
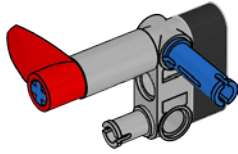


2

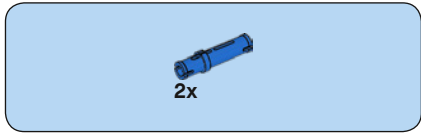
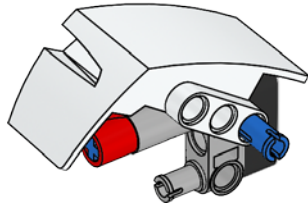




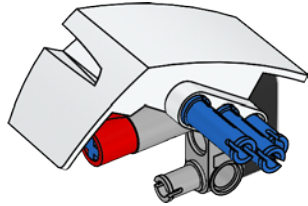
3

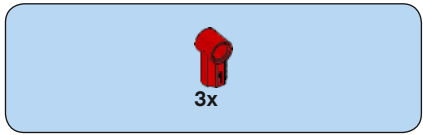


4

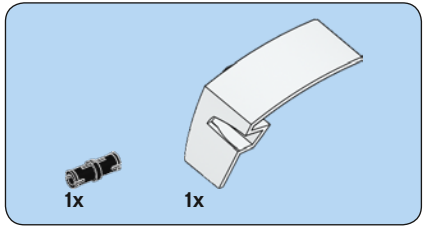
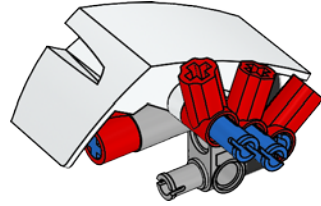


5

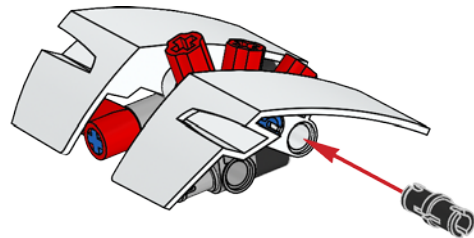


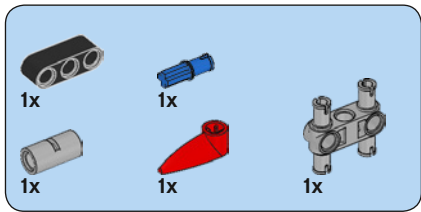


6

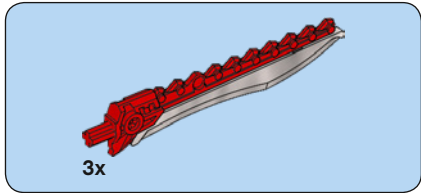
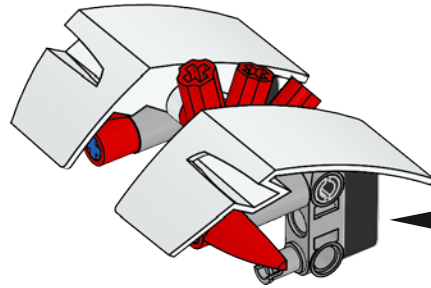
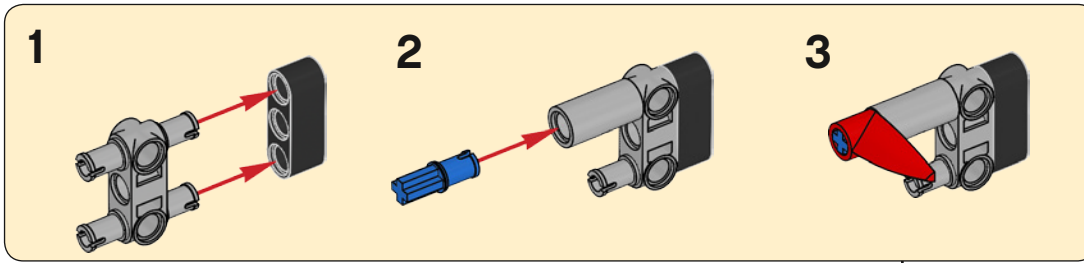


7

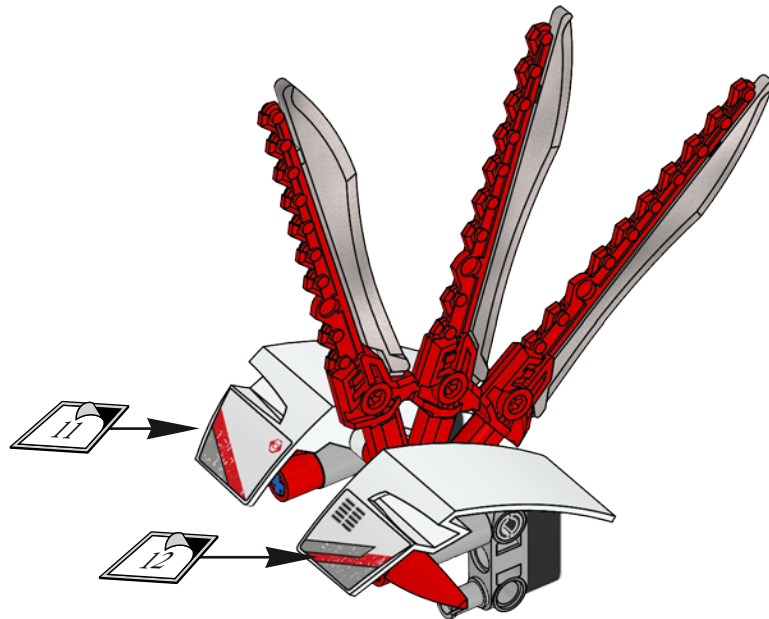




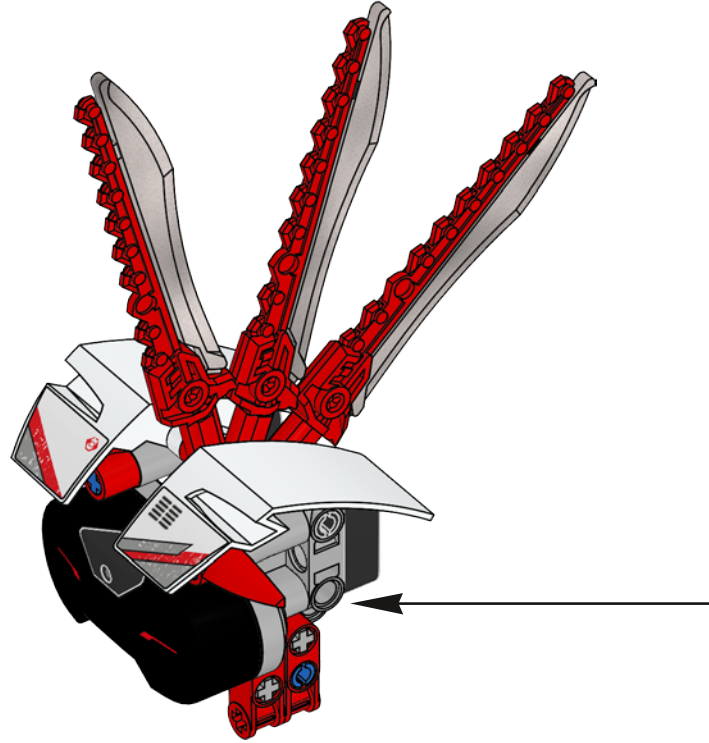
8

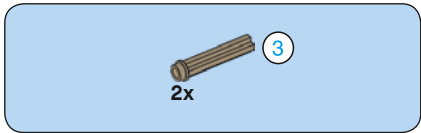


9

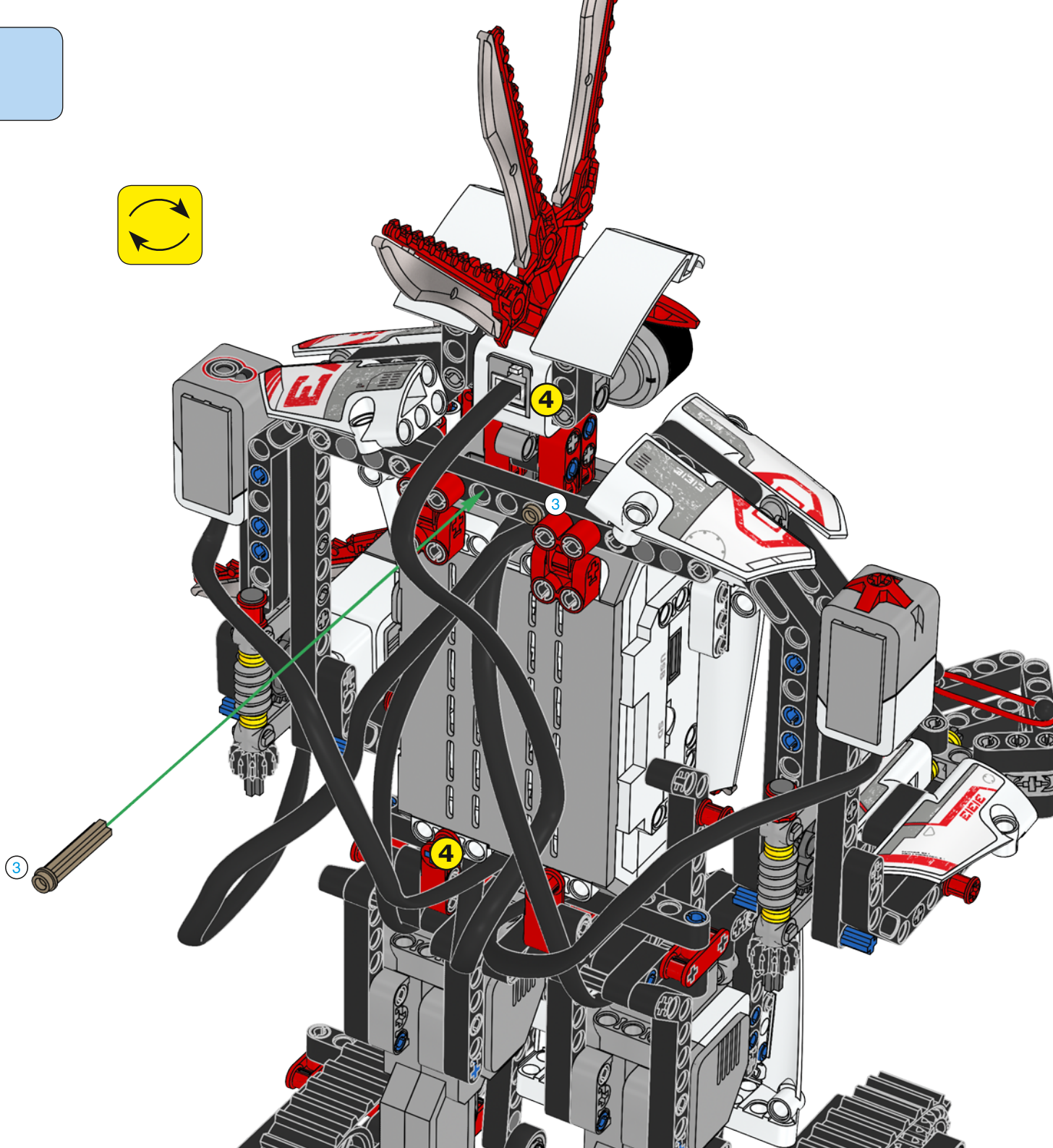


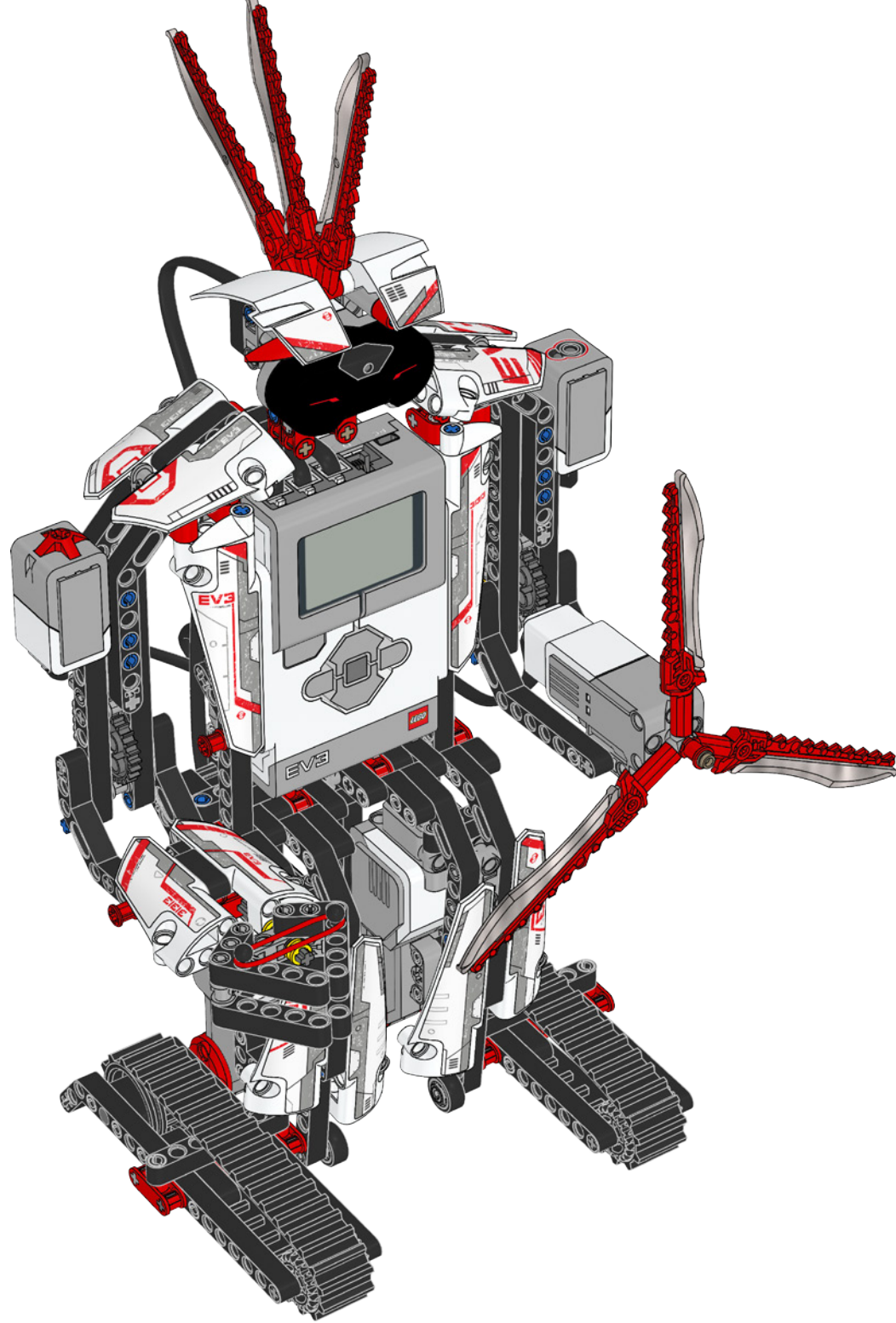
10





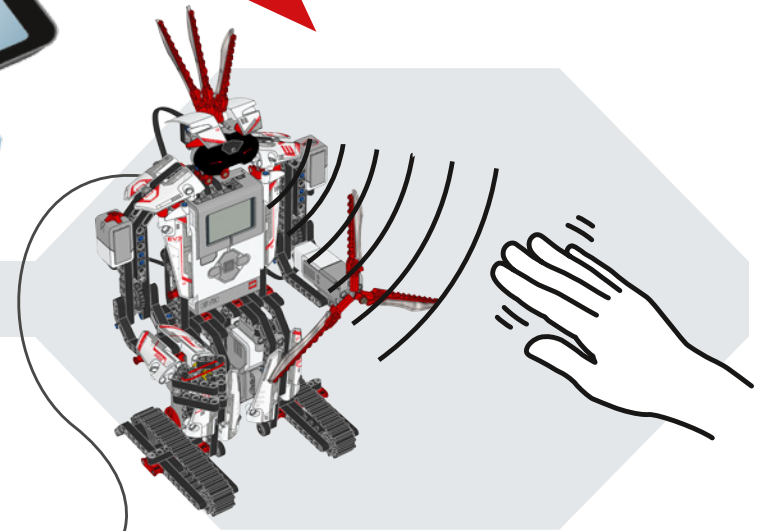
36







LEGO® MINDSTORMS®
EV3 Programmer
The LEGO Group



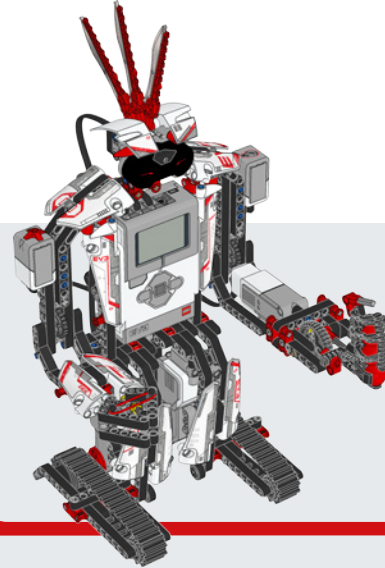
MISSION 04

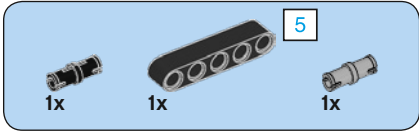
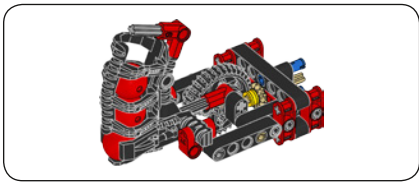


LEGO.com/mindstorms/software

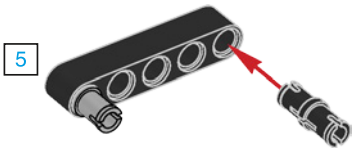


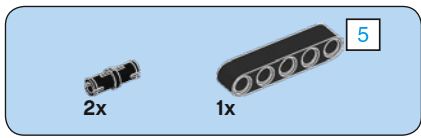
MISSION 05



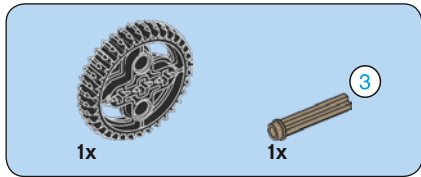
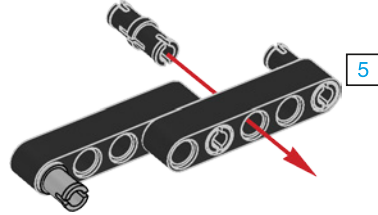


1

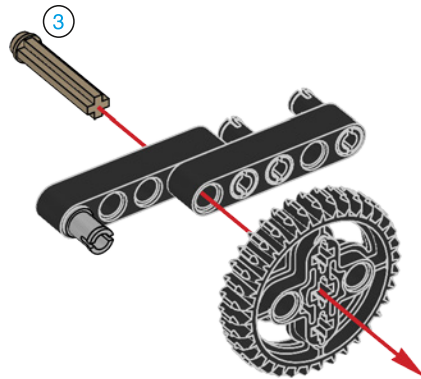


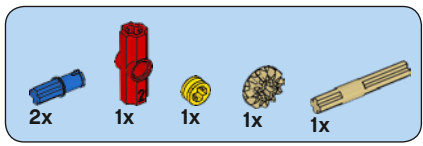


2

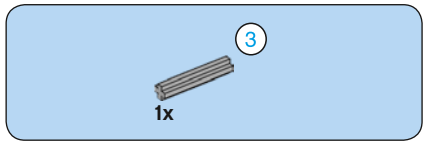
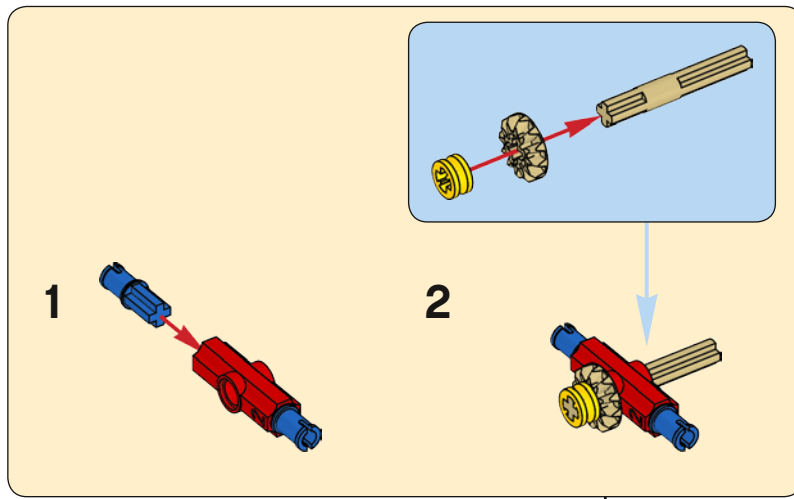


3



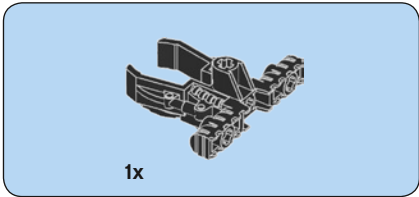
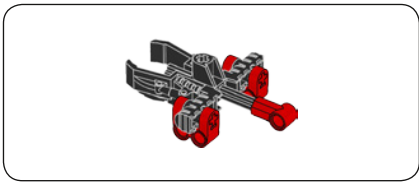


4

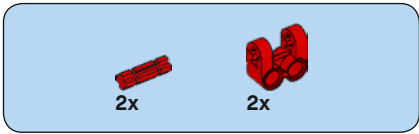
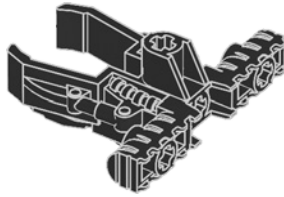


5

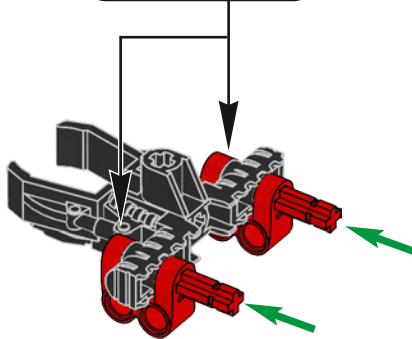
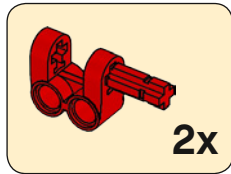


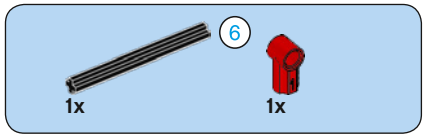


1

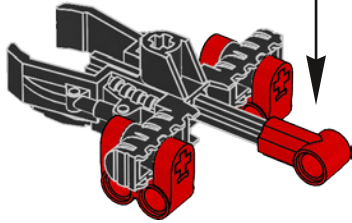
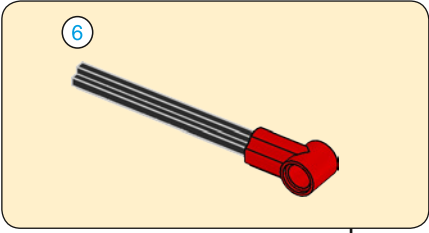


2

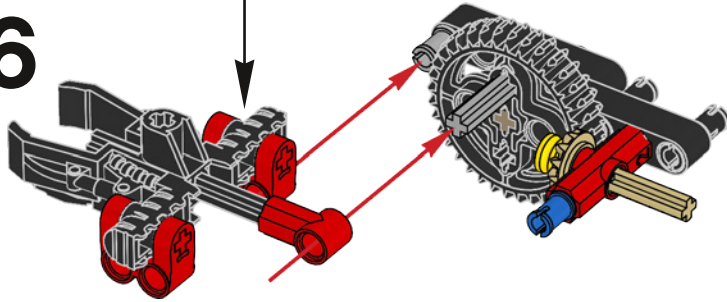


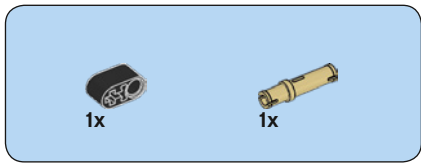


3

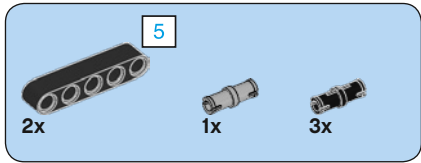
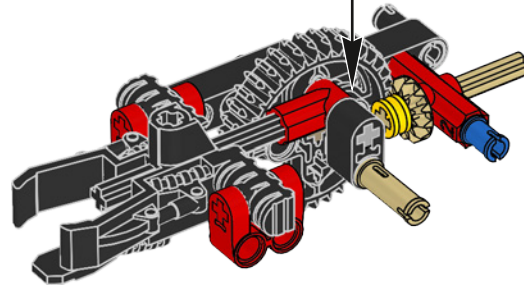
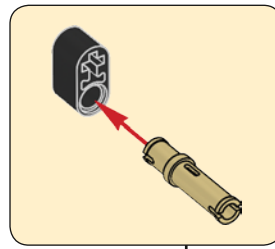


6

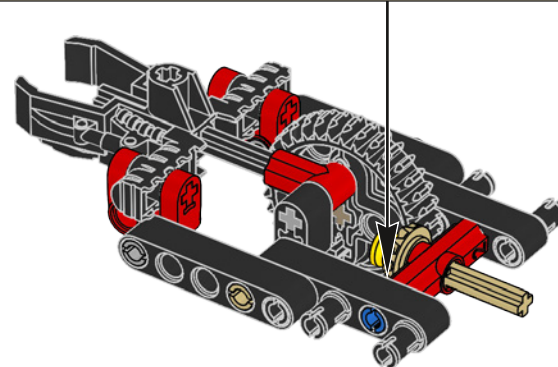
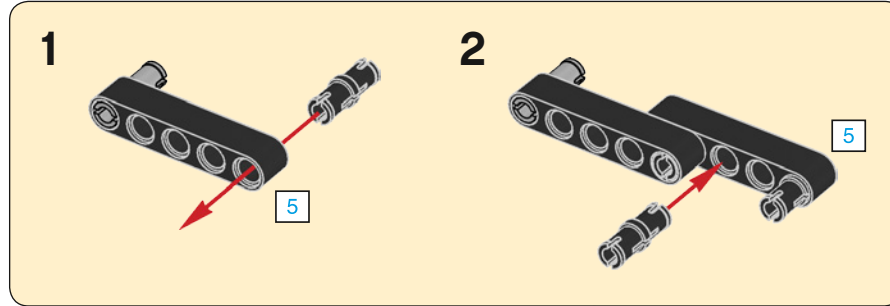


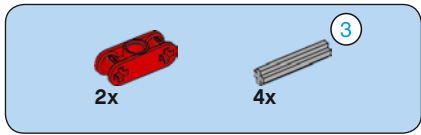


7

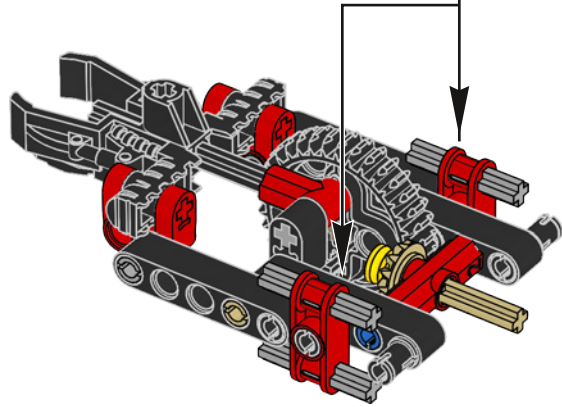
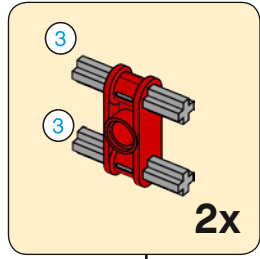


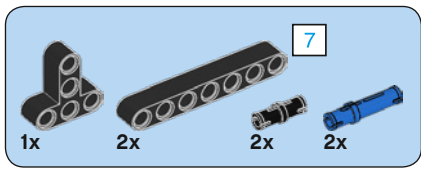
8



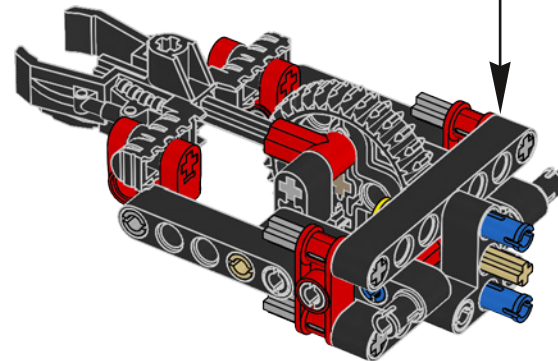
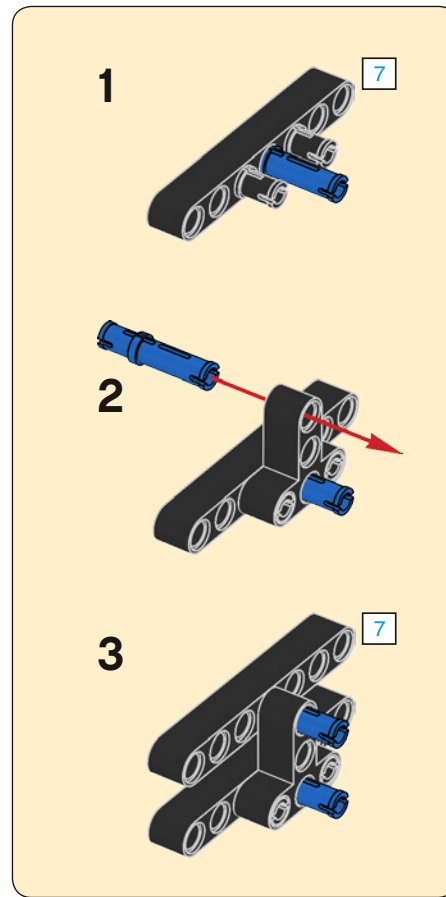


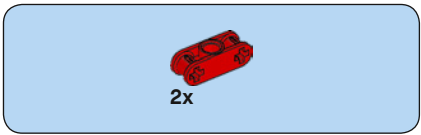
9



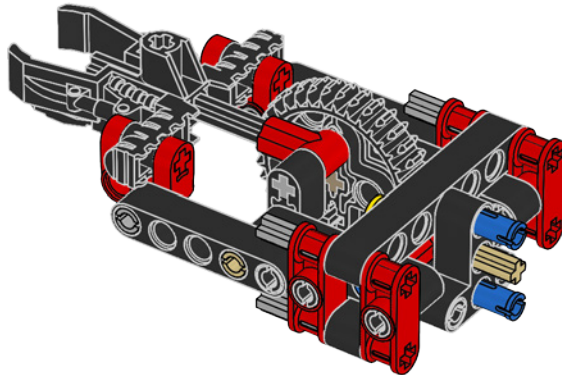


10

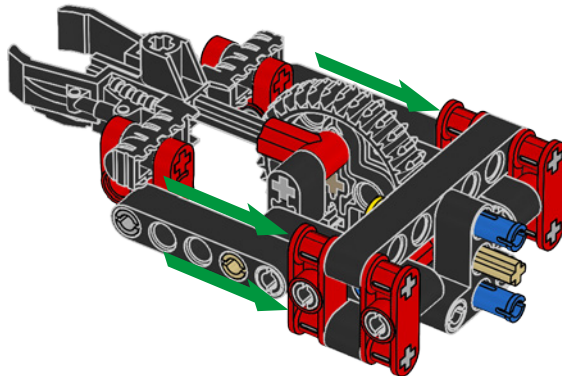


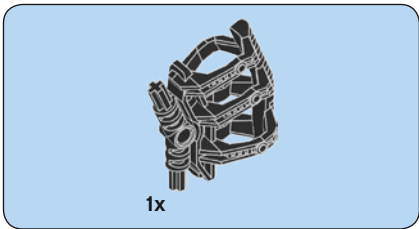


11

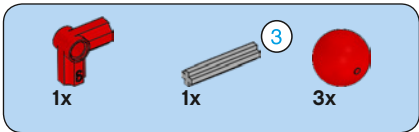
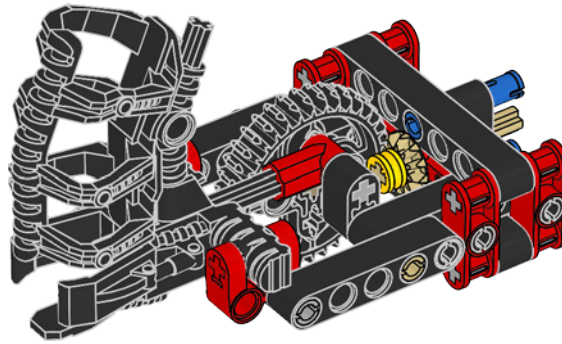


12

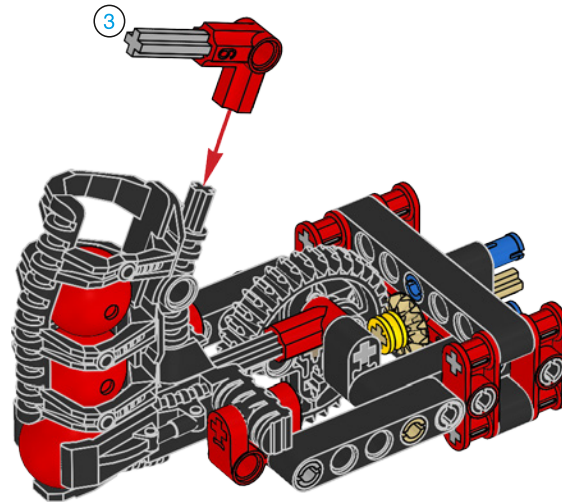


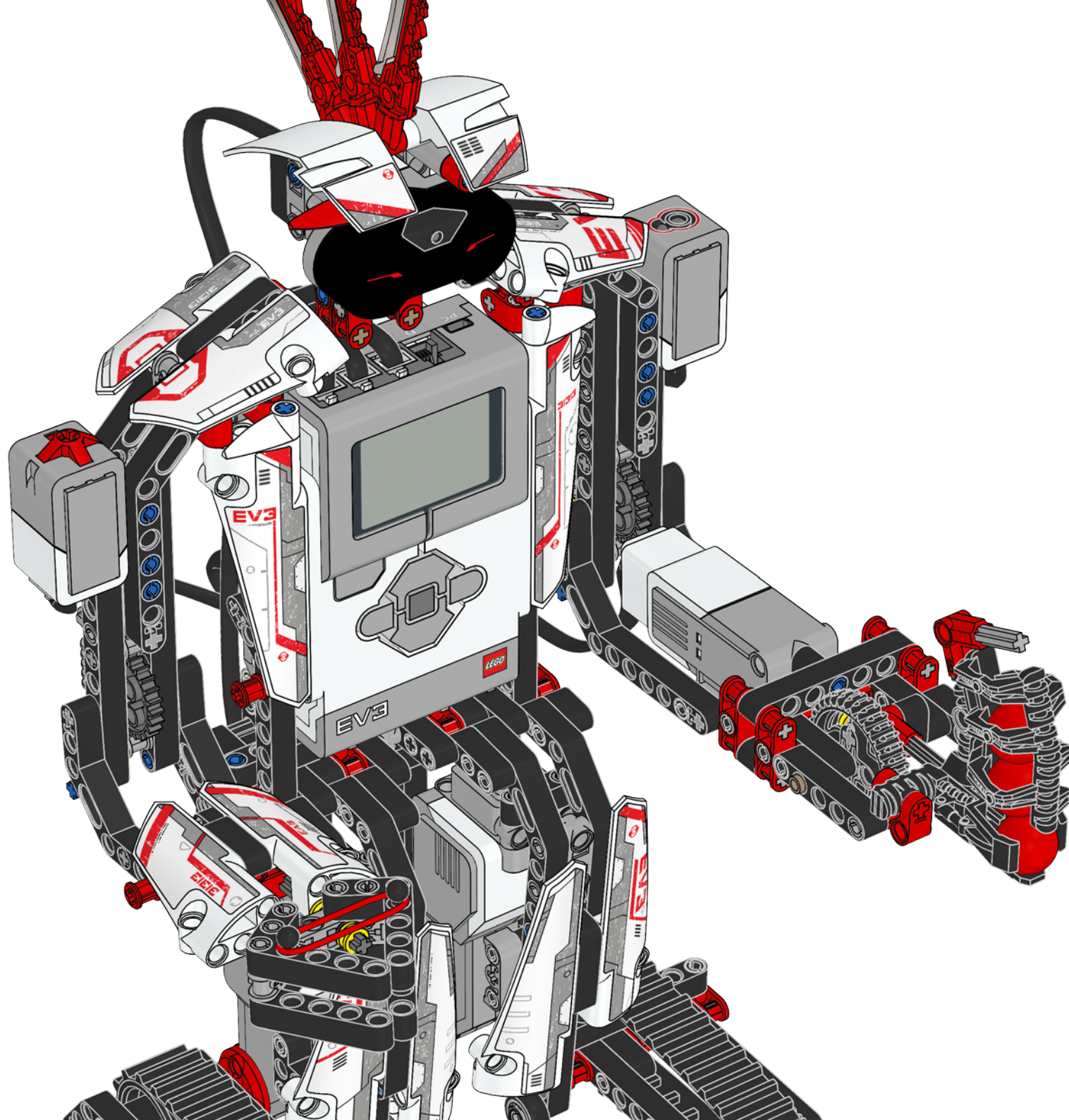


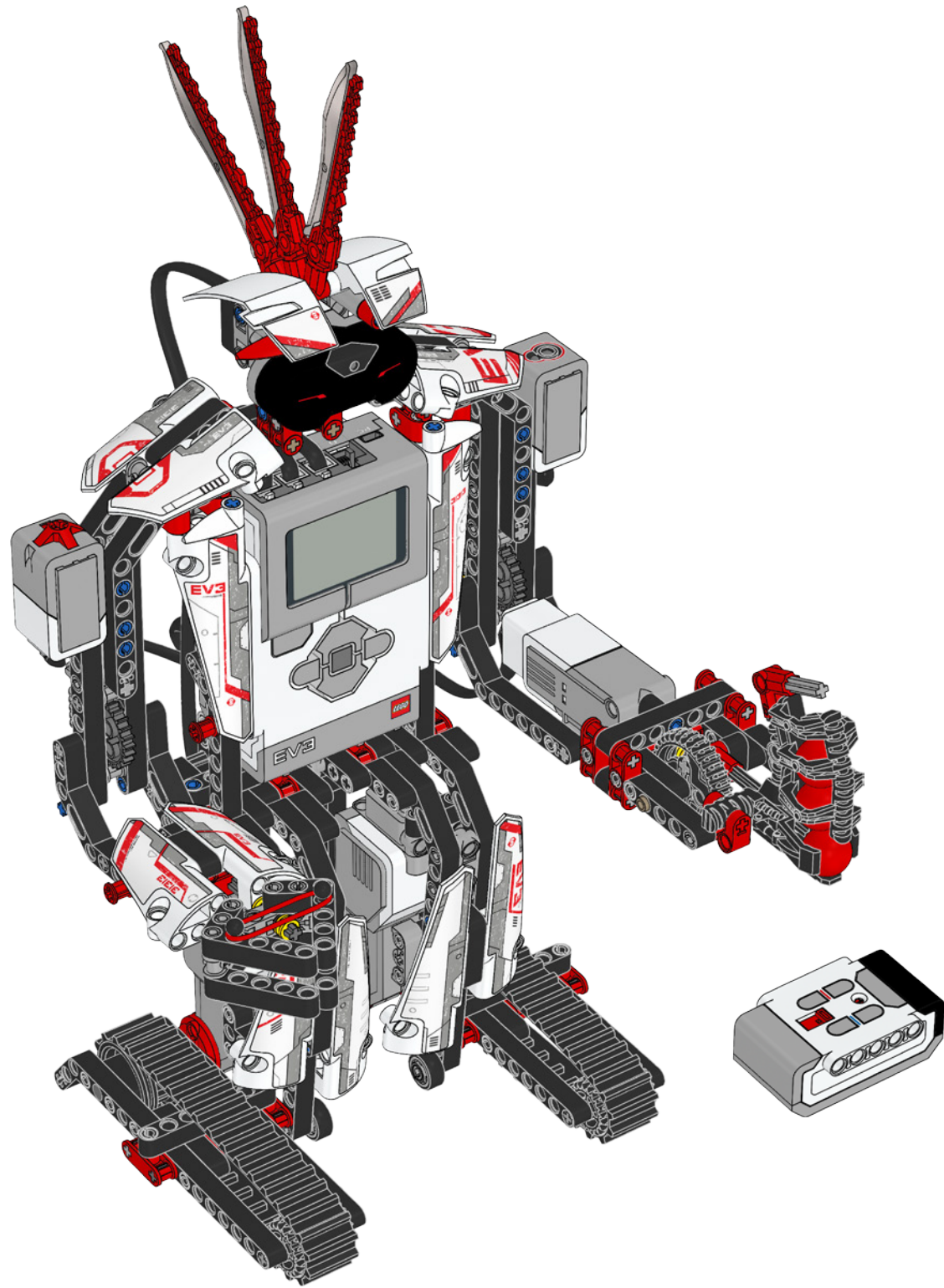
13



14







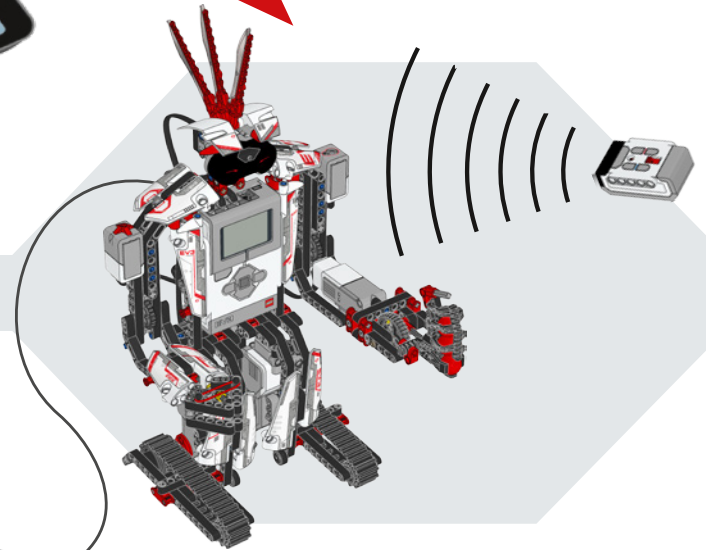


Download on the
App Store

GET IT ON
Google play



LEGO® MINDSTORMS®
EV3 Programmer
The LEGO Group



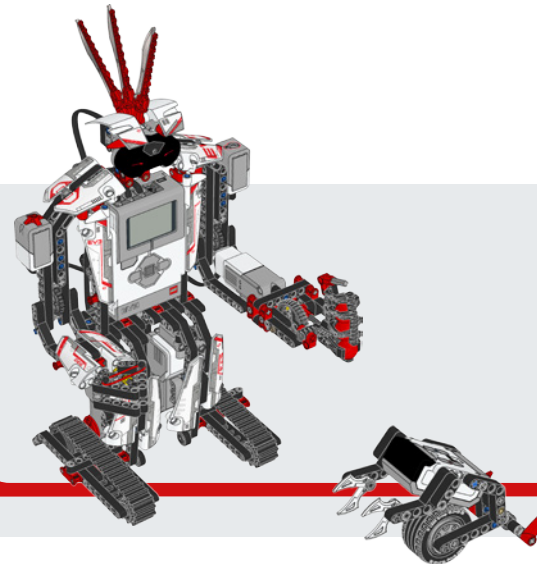
MISSION 05

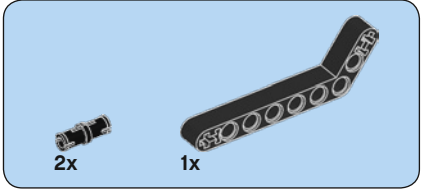
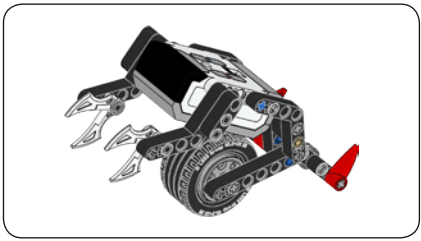


LEGO.com/mindstorms/software

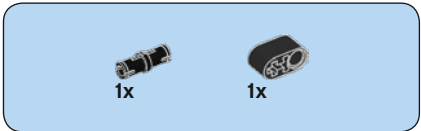
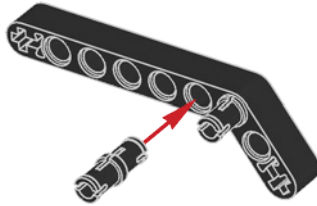


MISSION 06

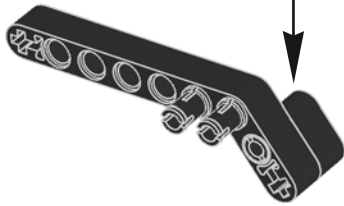
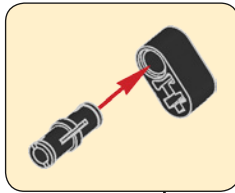


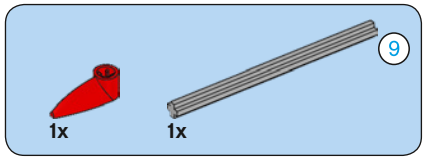


1

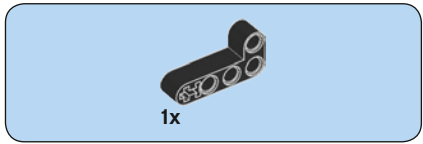
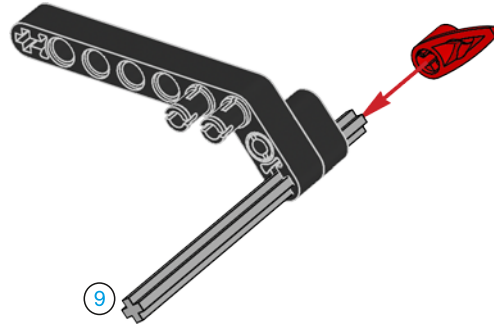


2

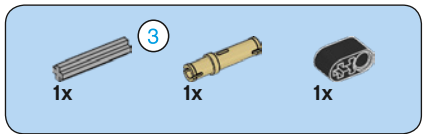
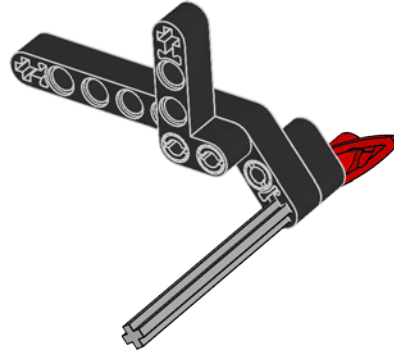




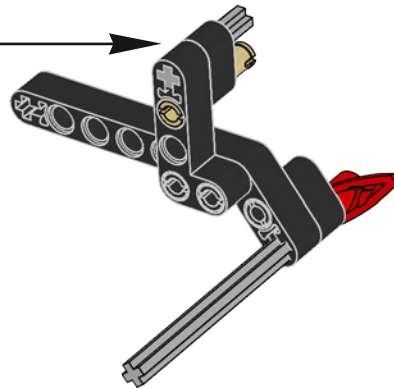
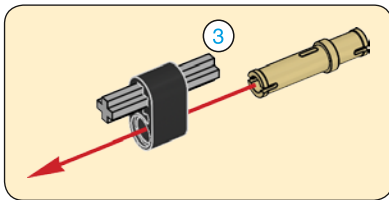
3

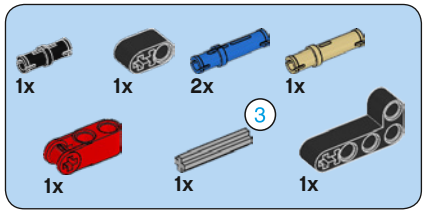


4

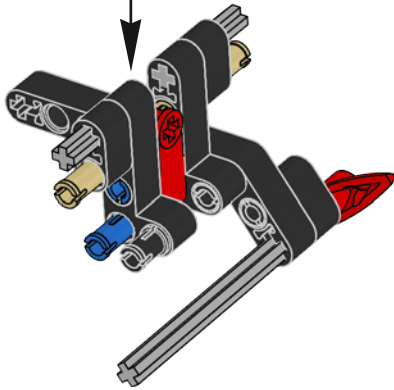
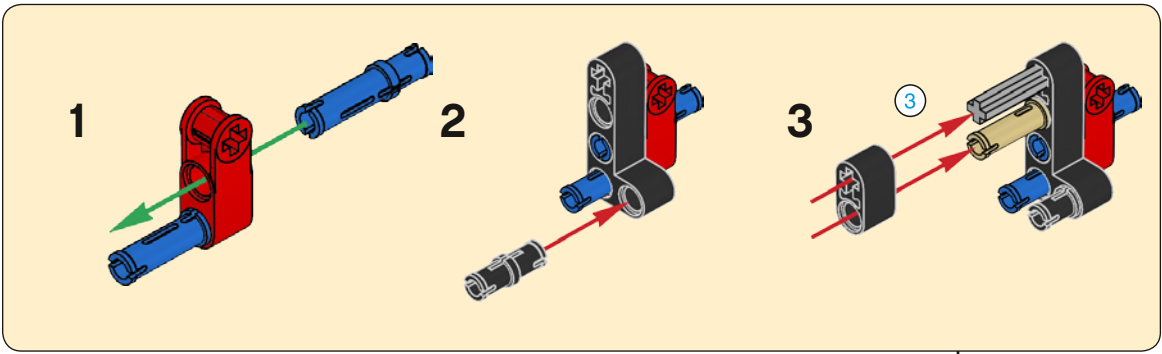


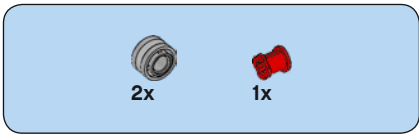
5



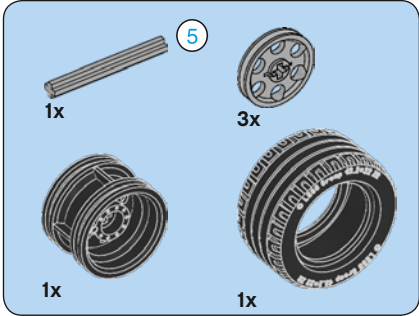
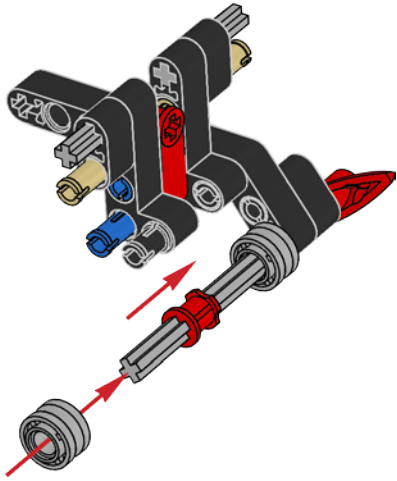


6

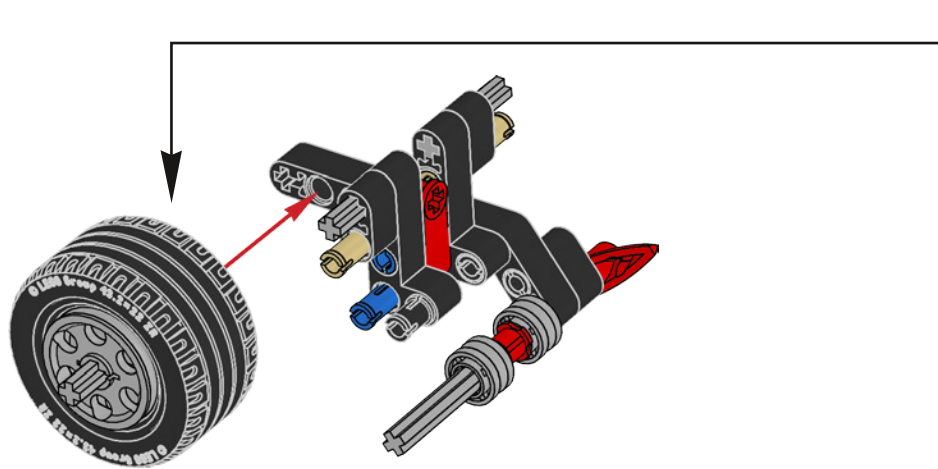
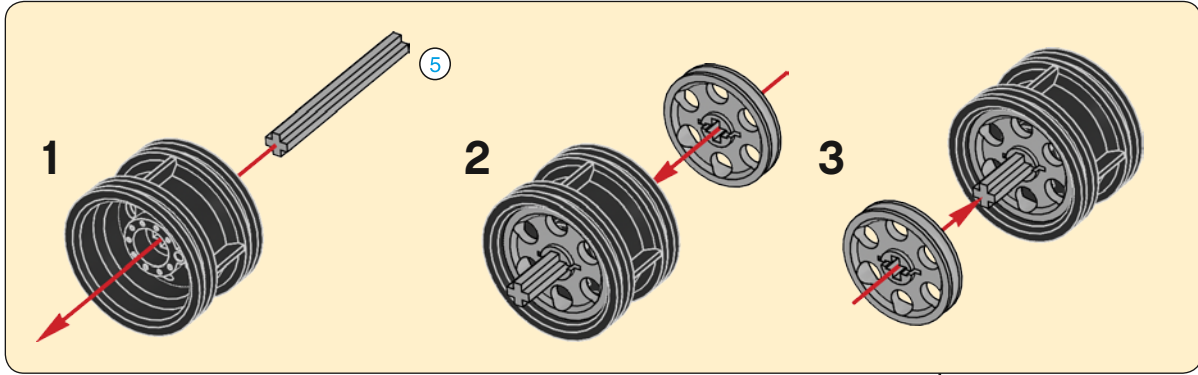


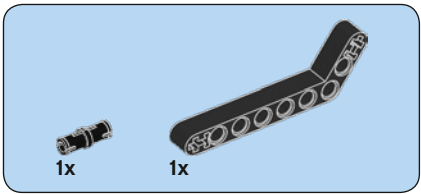


7

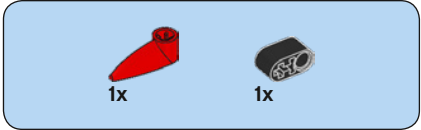
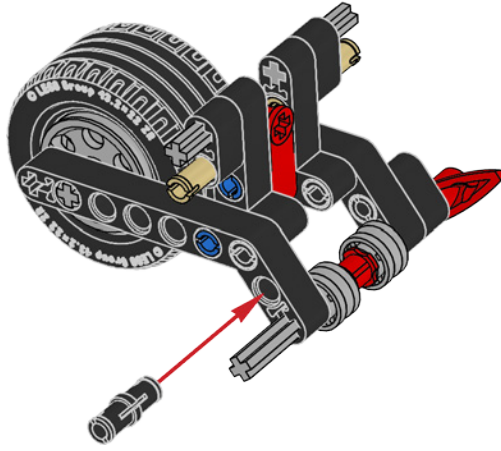


8

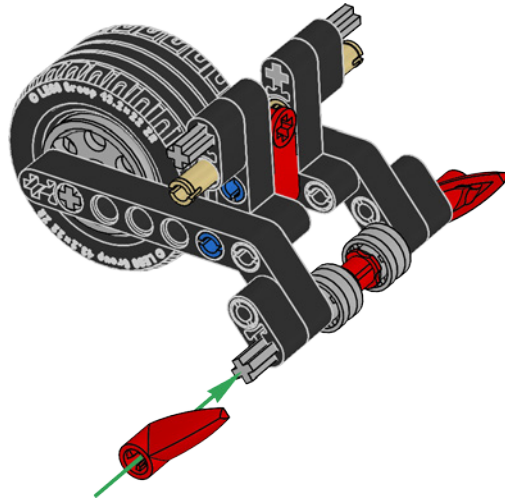


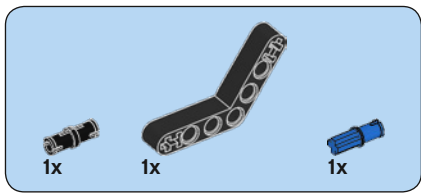


9

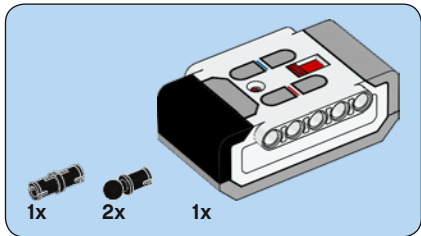
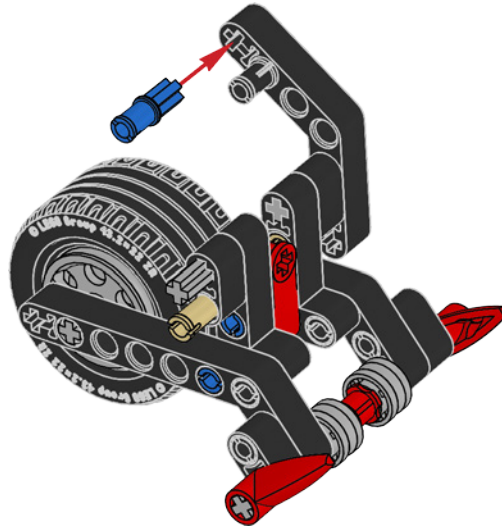


10

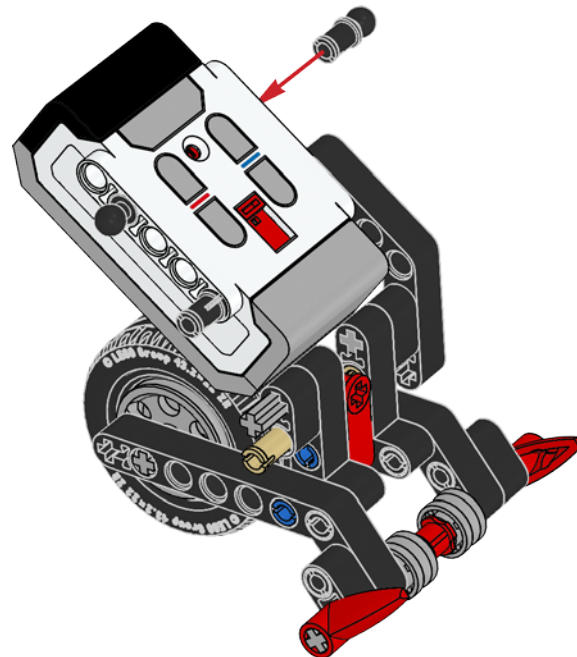
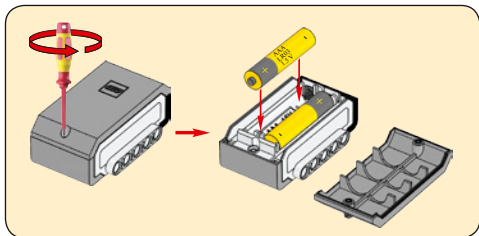


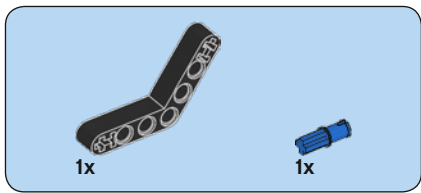


11

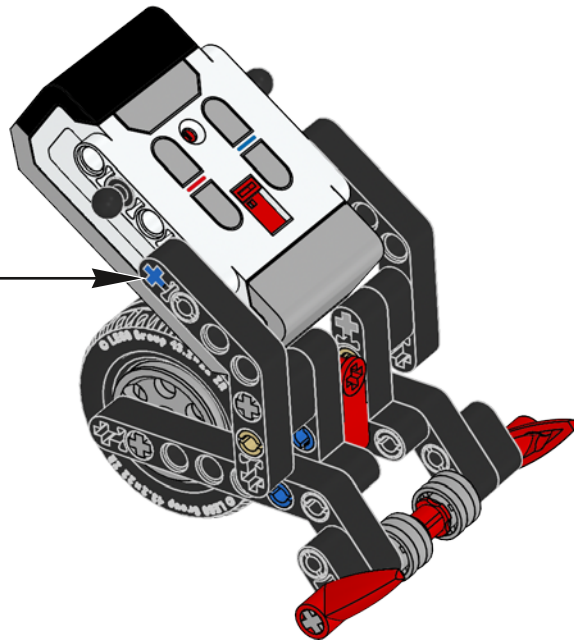
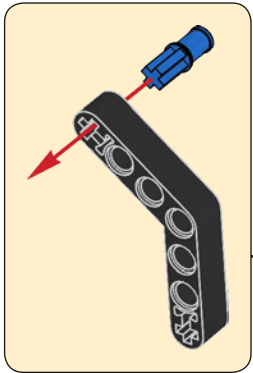


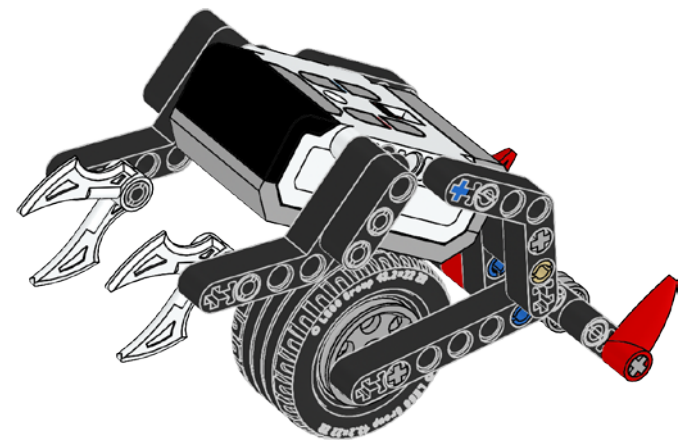
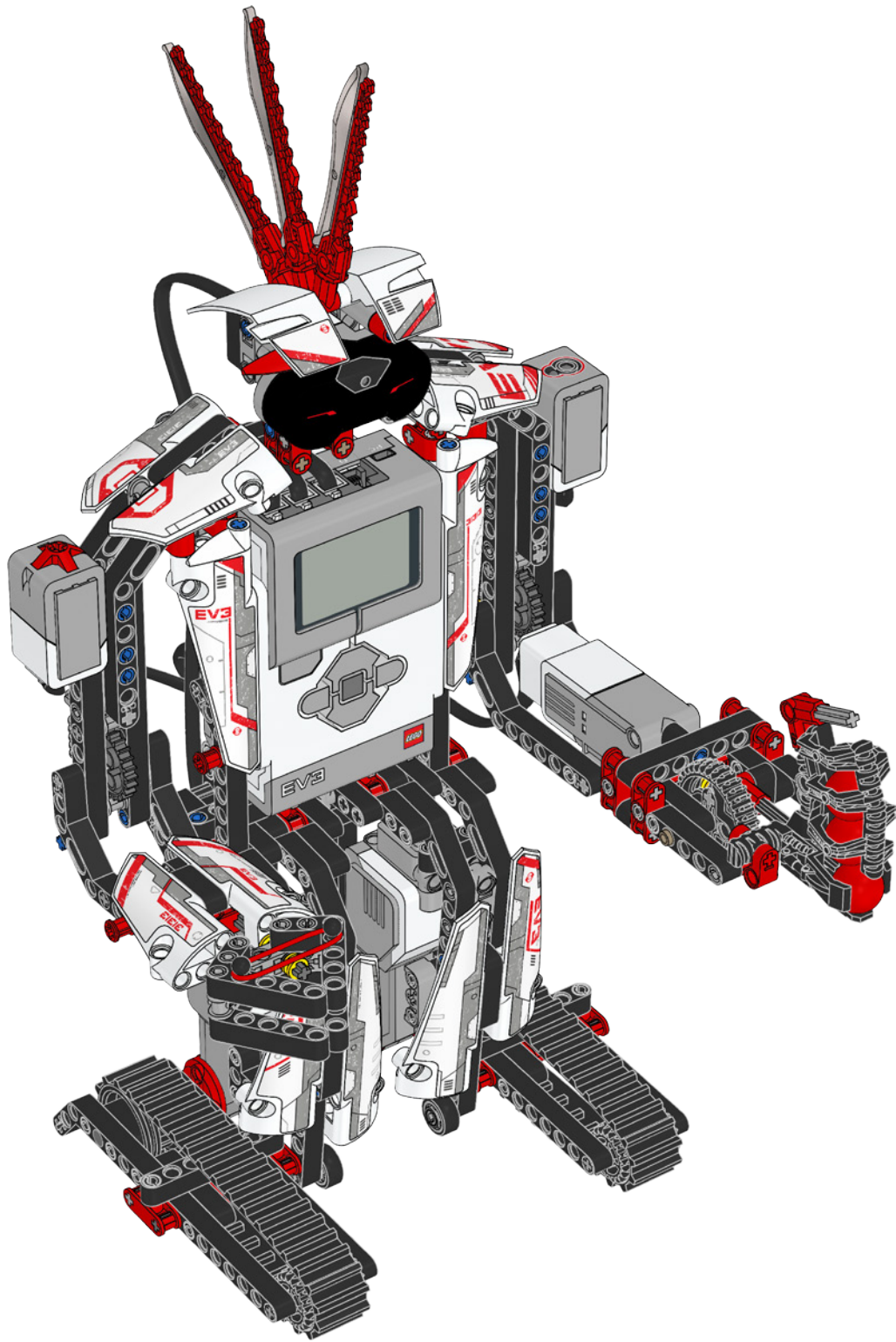
12





13



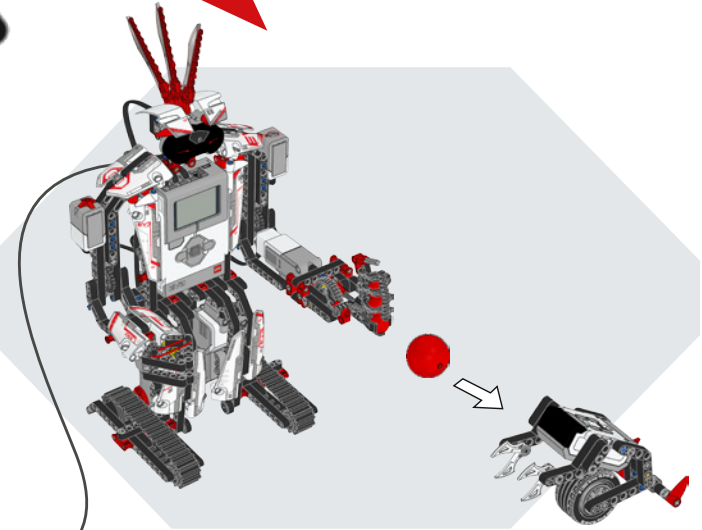


Download on the App Store


GET IT ON Google play



LEGO® MINDSTORMS® EV3 Programmer
The LEGO Group



MISSION 06

 LEGO.com/mindstorms/software



