

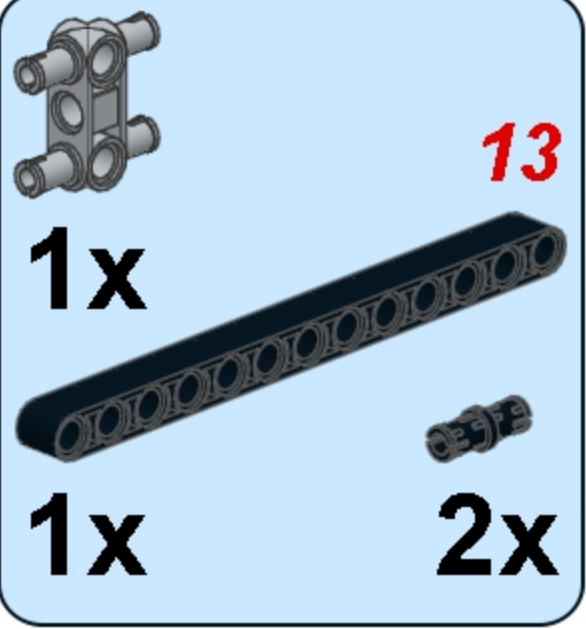
LEGO mindstorms[®]
EV3

EV3GAME



Model Design, Building
and Programming Instructions
by: **Ricardo Oliveira**

1

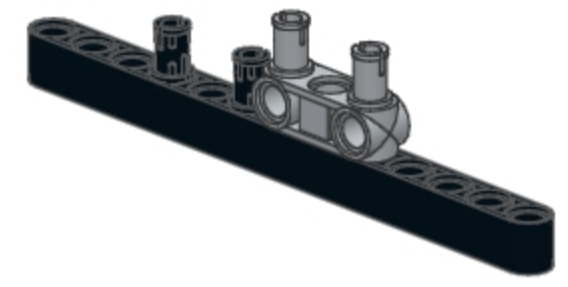


1x **13**



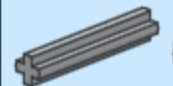



1x

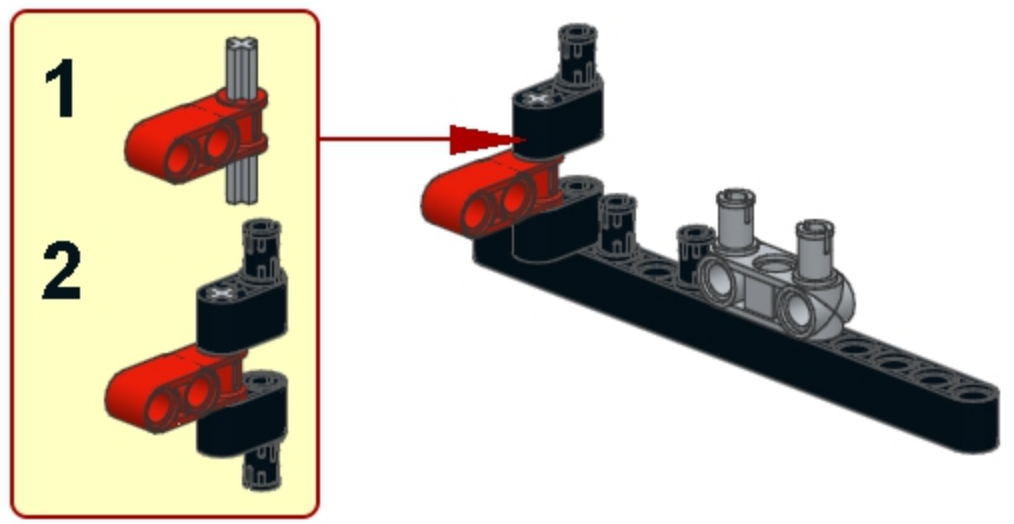
2x

This block contains a parts list for step 1. It features a light blue background with rounded corners. At the top left is a grey 4-way connector. Below it is a long black Technic beam with 13 holes. At the bottom right is a small grey pin. The number '13' is written in red next to the beam, and the numbers '1x', '1x', and '2x' are written in black next to the connector, beam, and pin respectively.

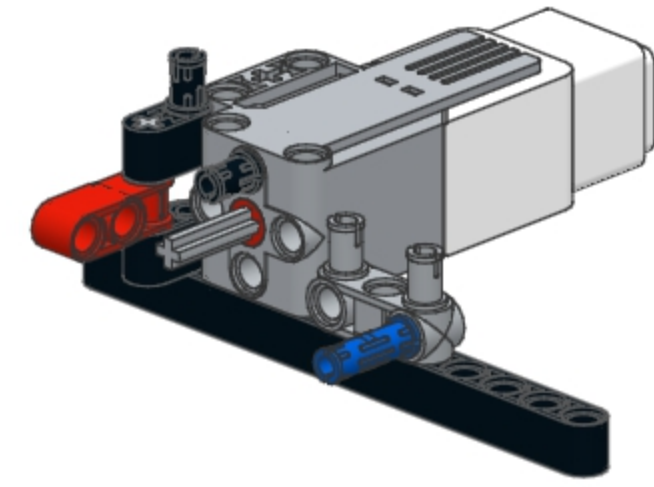
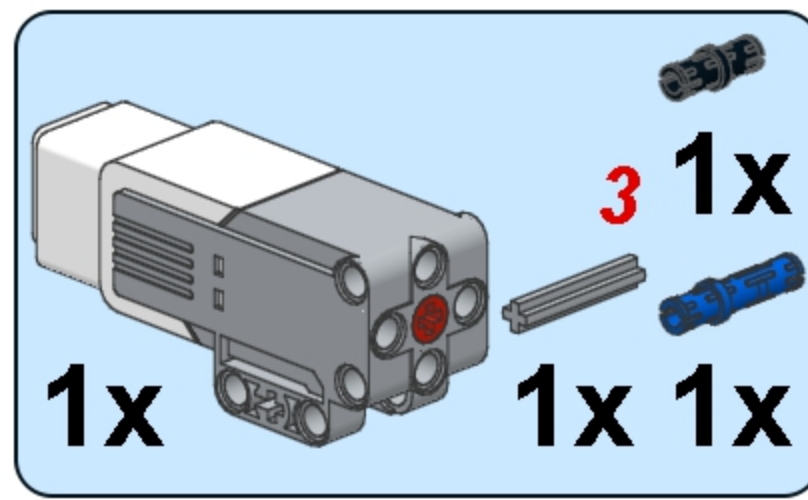


2

- 
- 2x 
- 3  2x 
- 1x  1x 

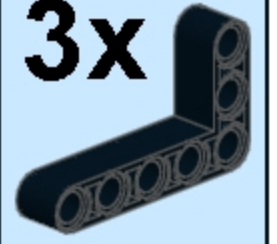


3

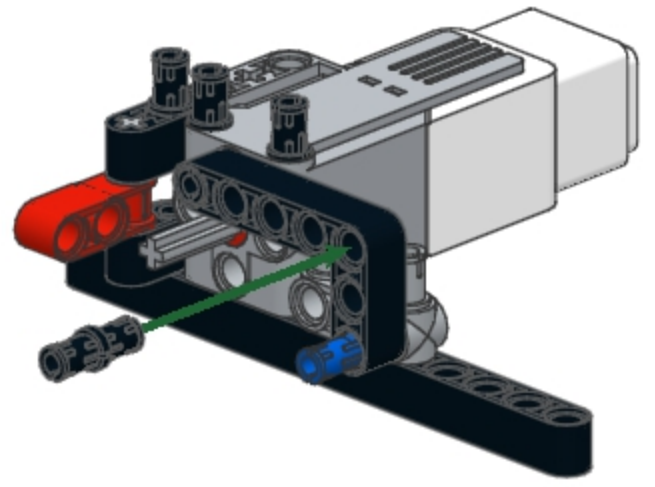



4

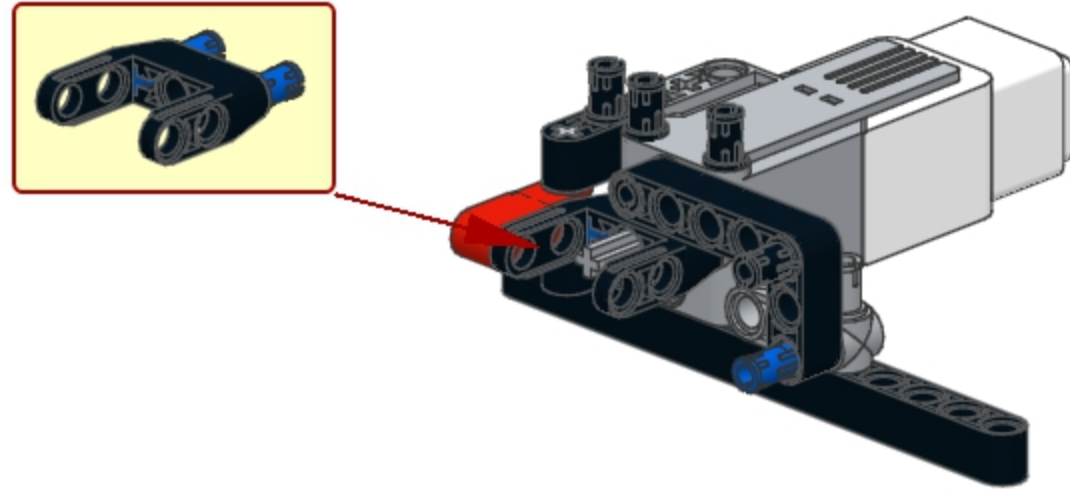
3x



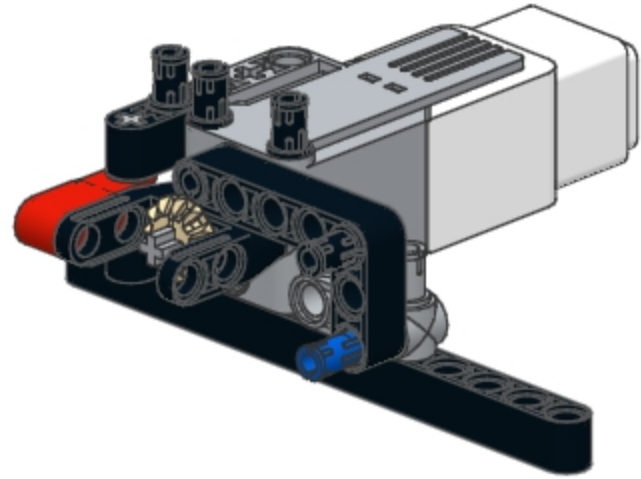
1x




5

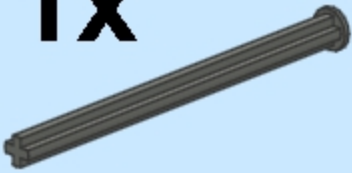


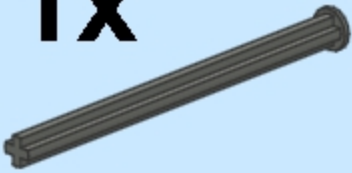
6
1x

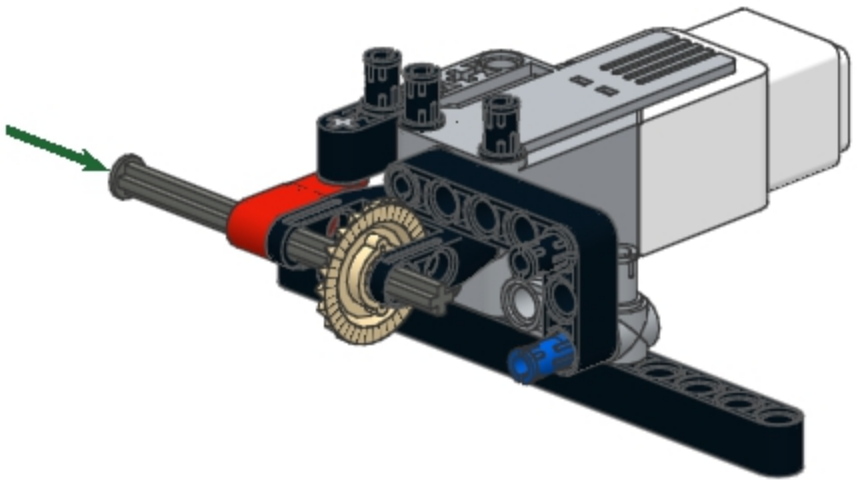


7

1x 

1x 

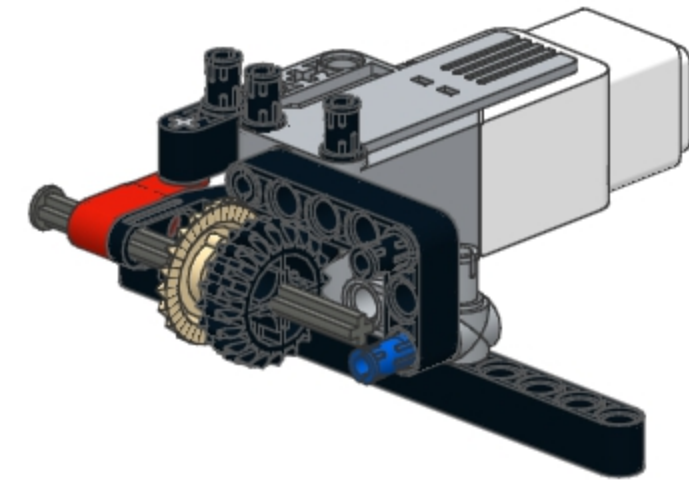
8 



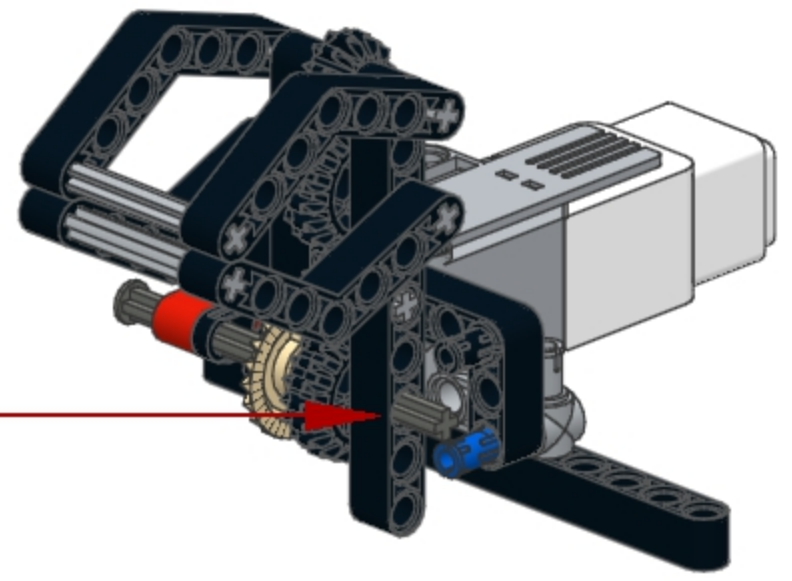
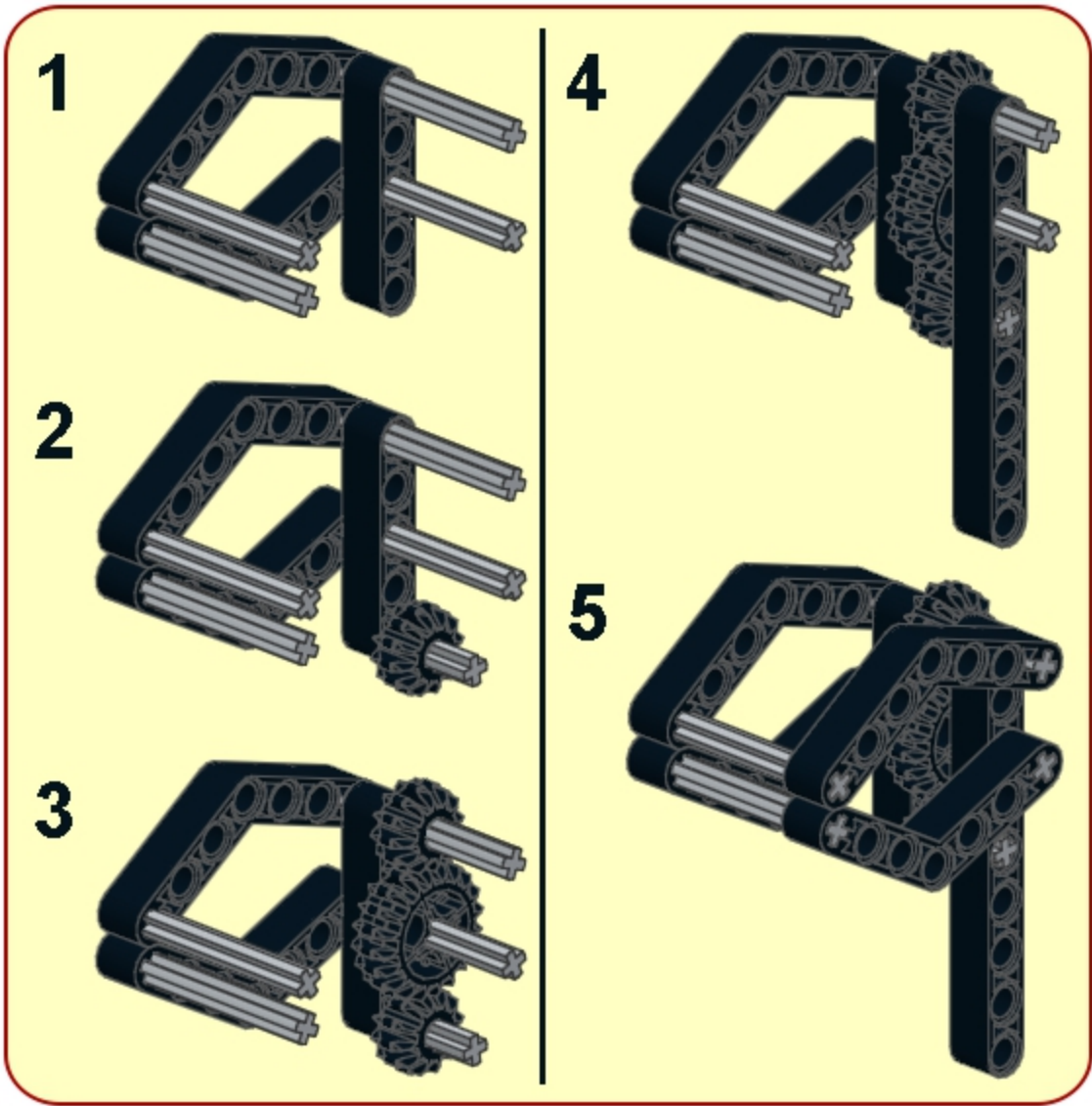
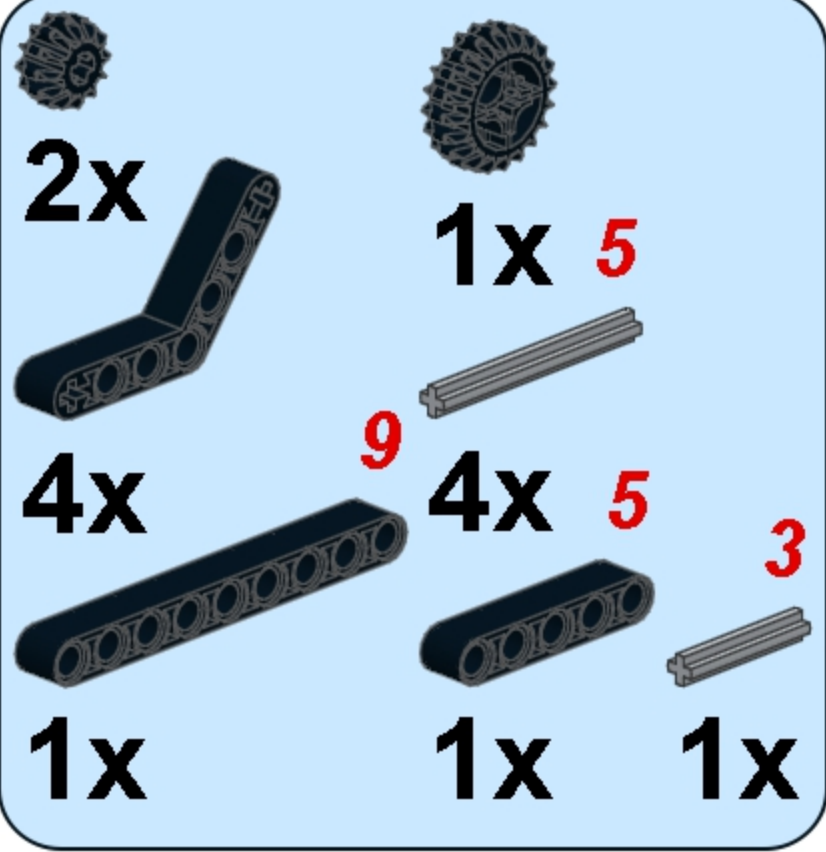
8



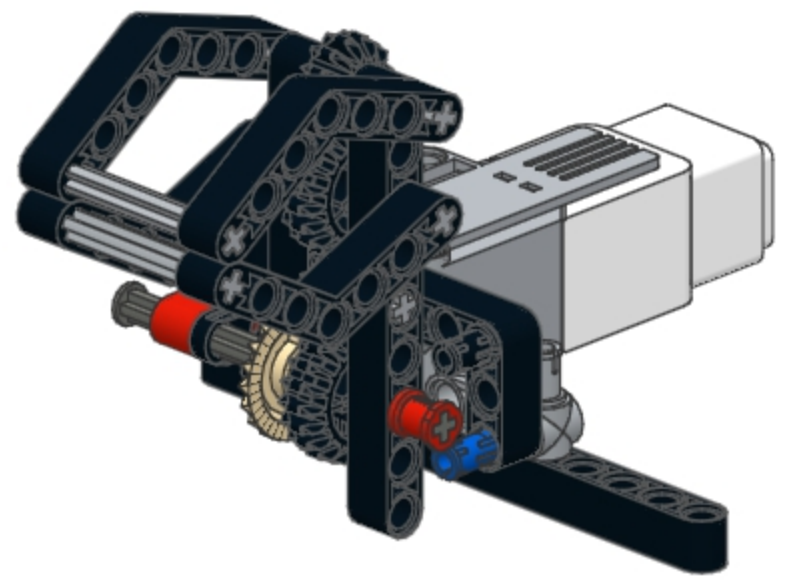
1x



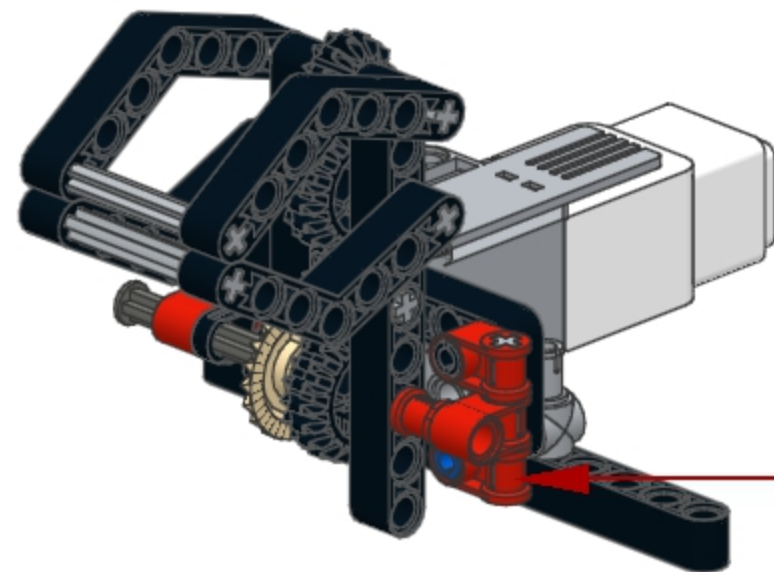
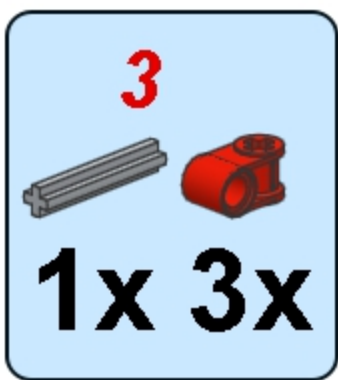
9



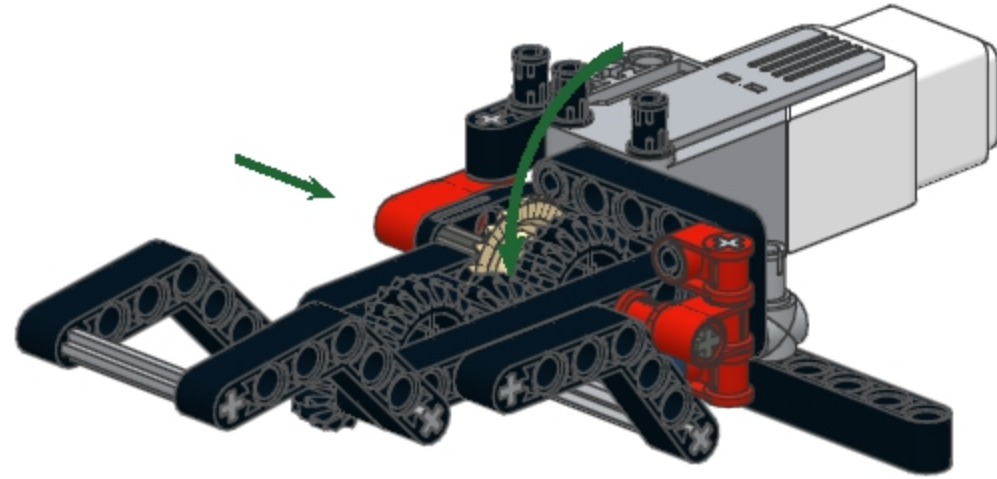
10 
1x



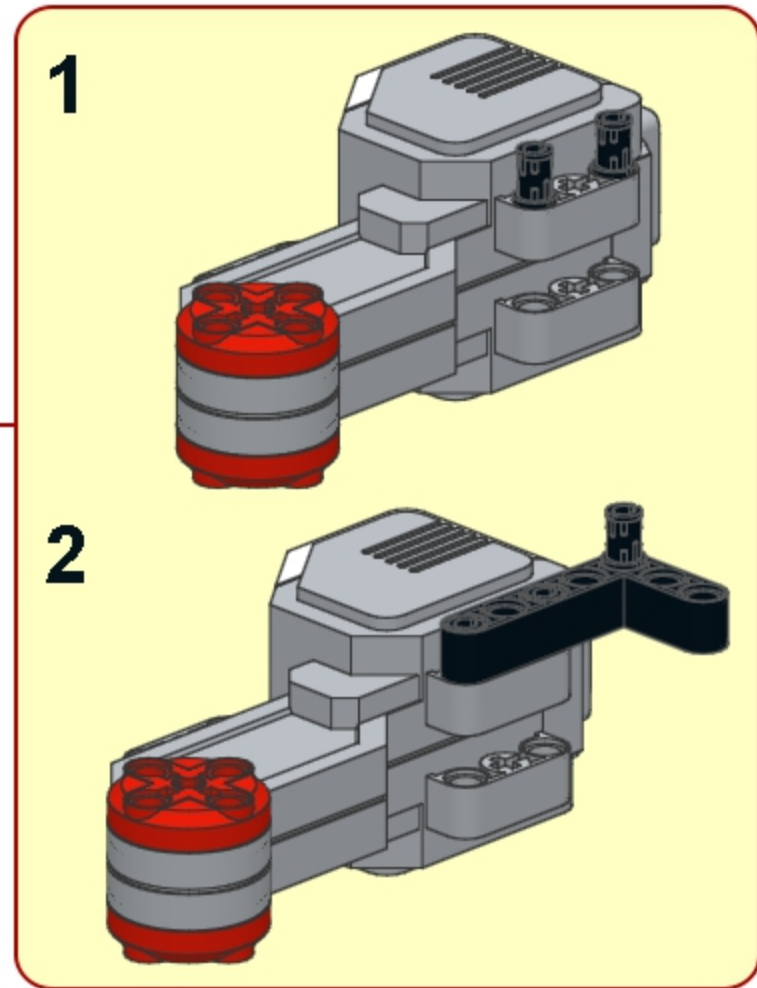
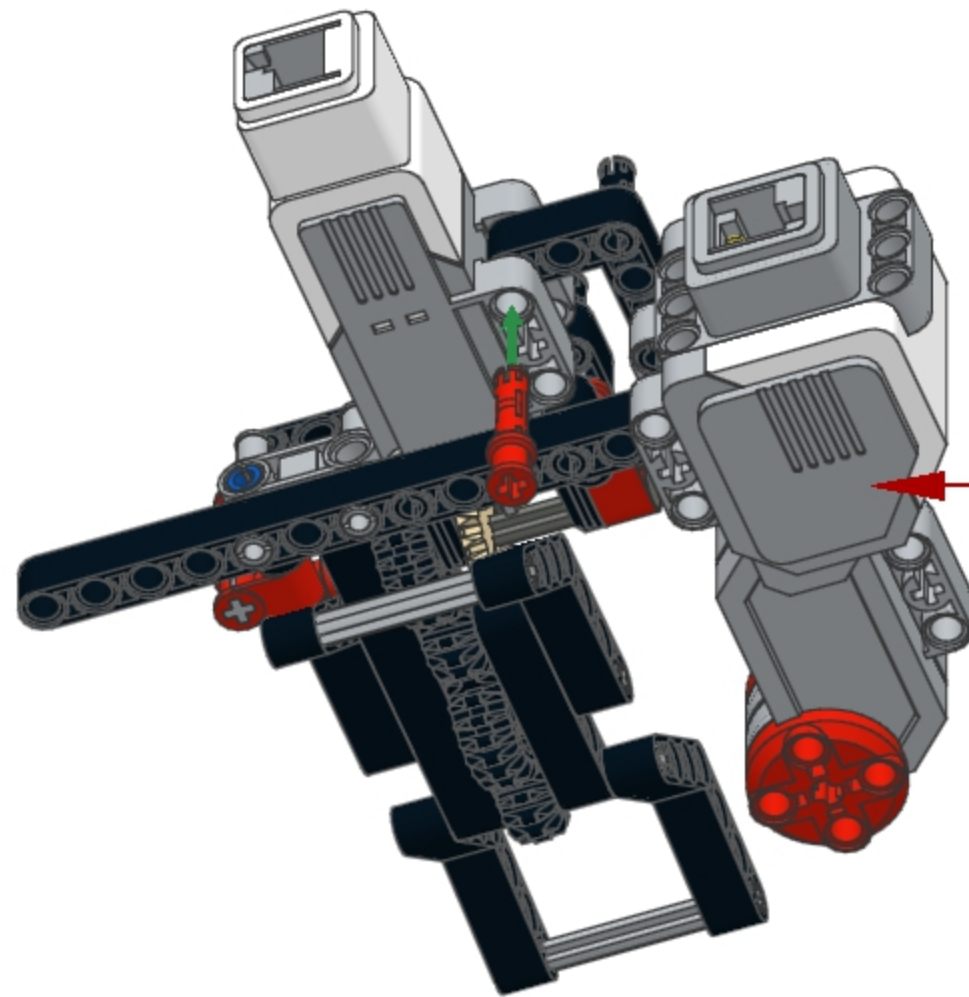
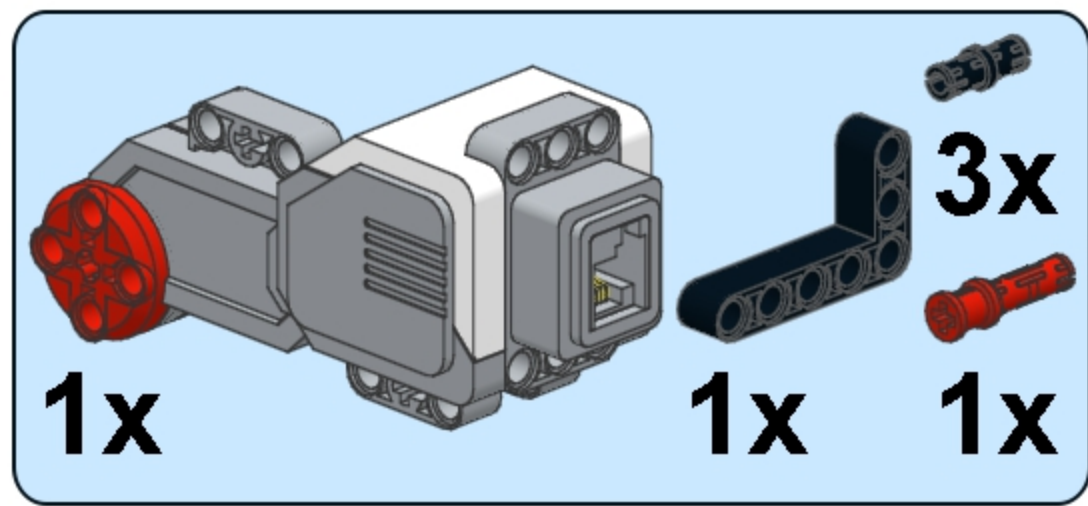
11



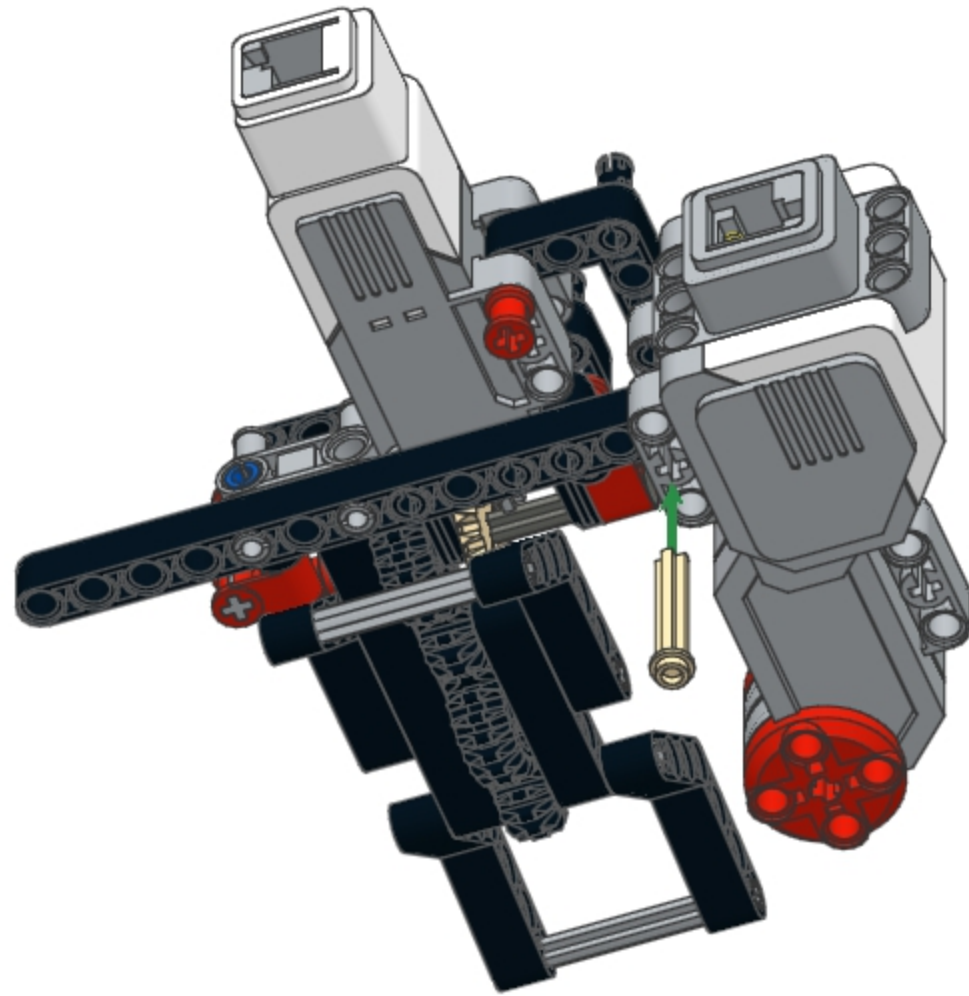
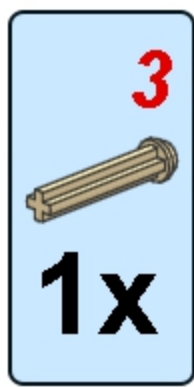
12



13



14



15

9

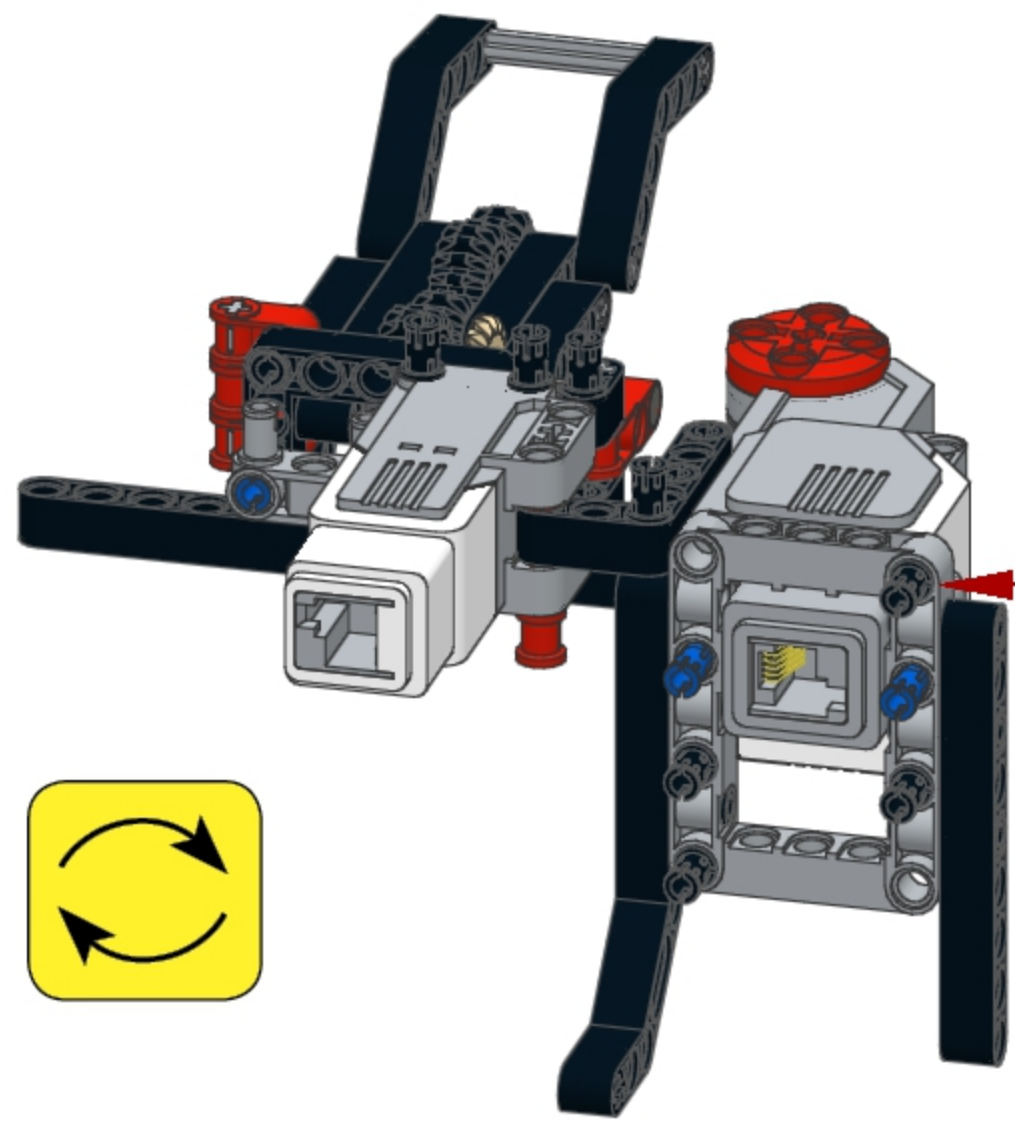
1x

1x

1x

9x

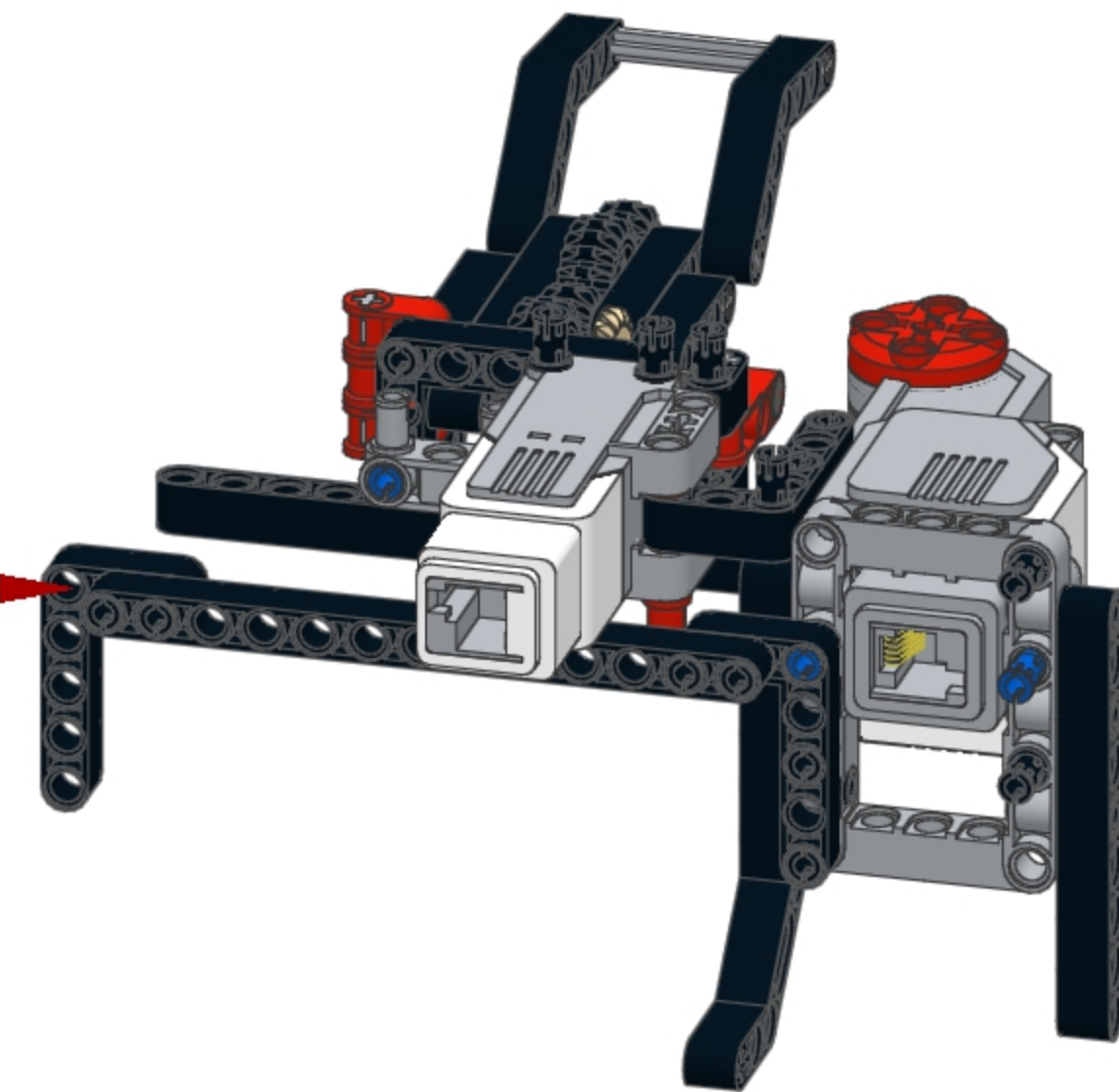
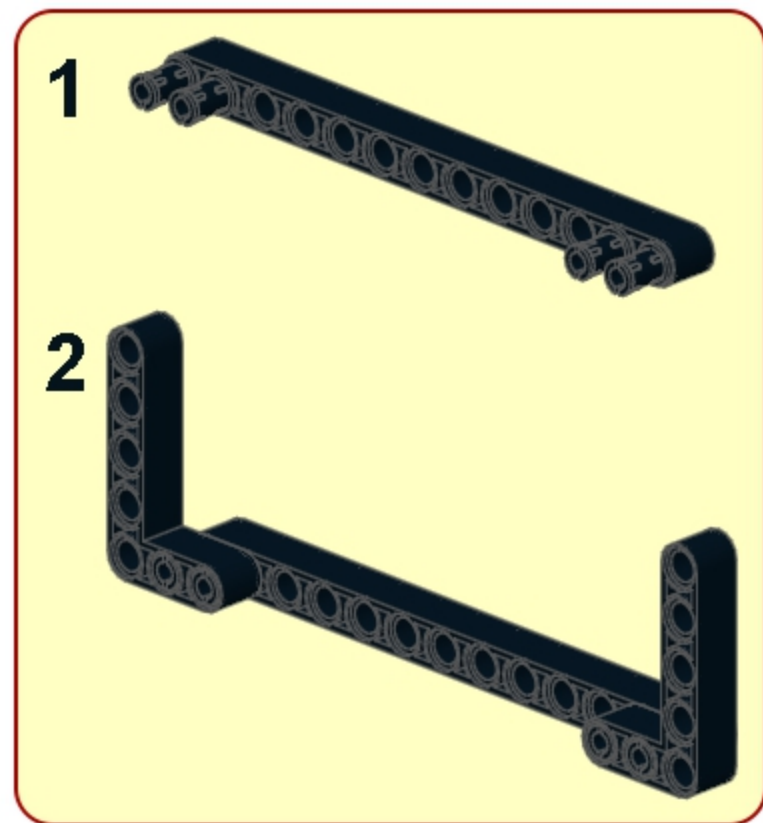
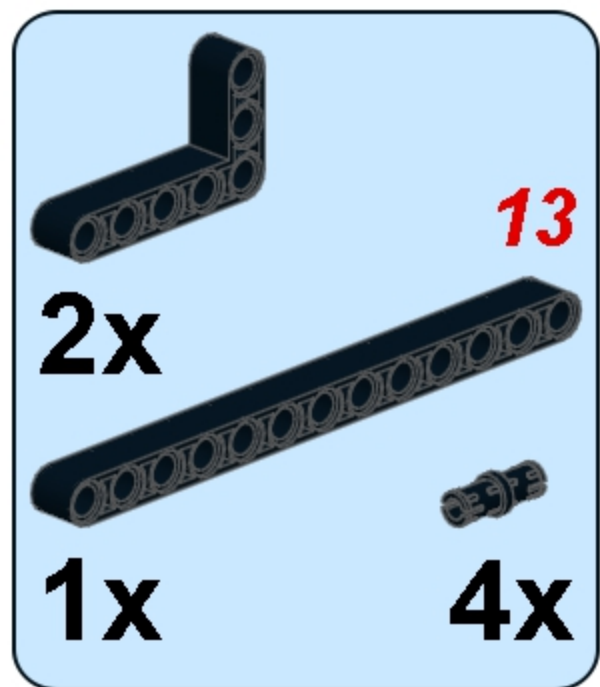
2x



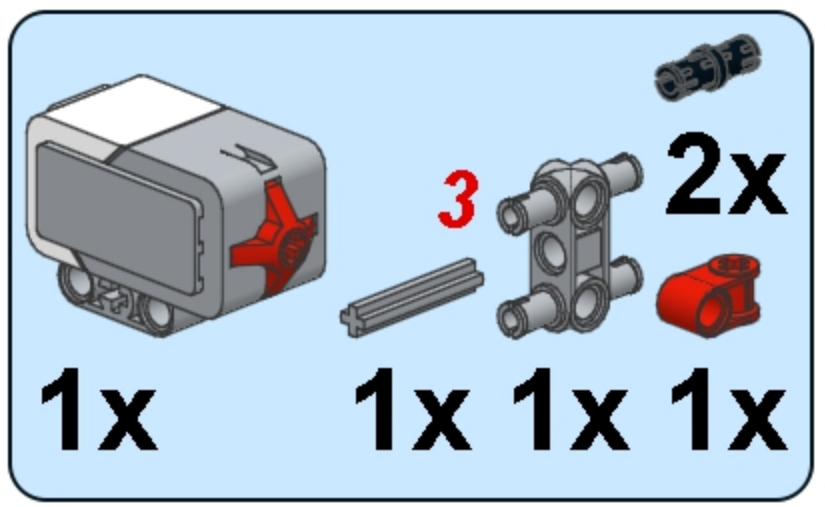
1

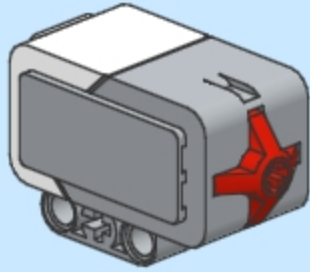
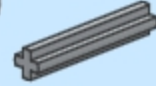
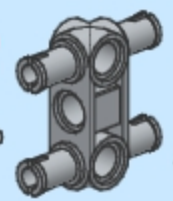
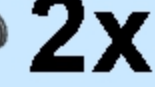



2

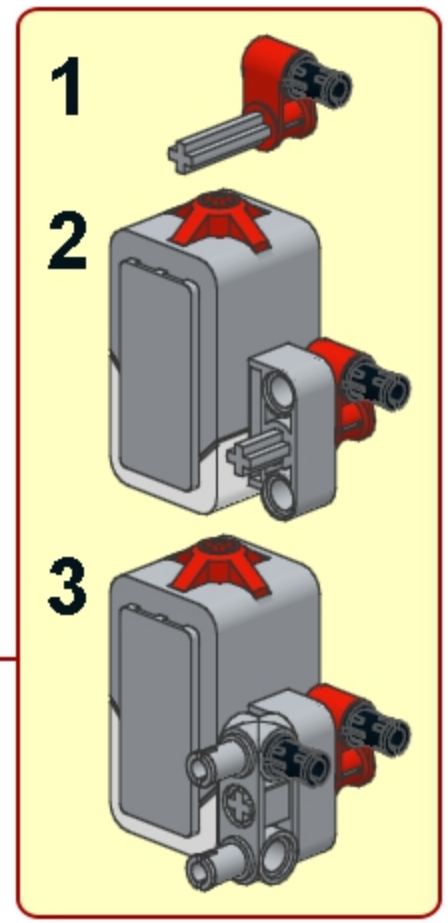
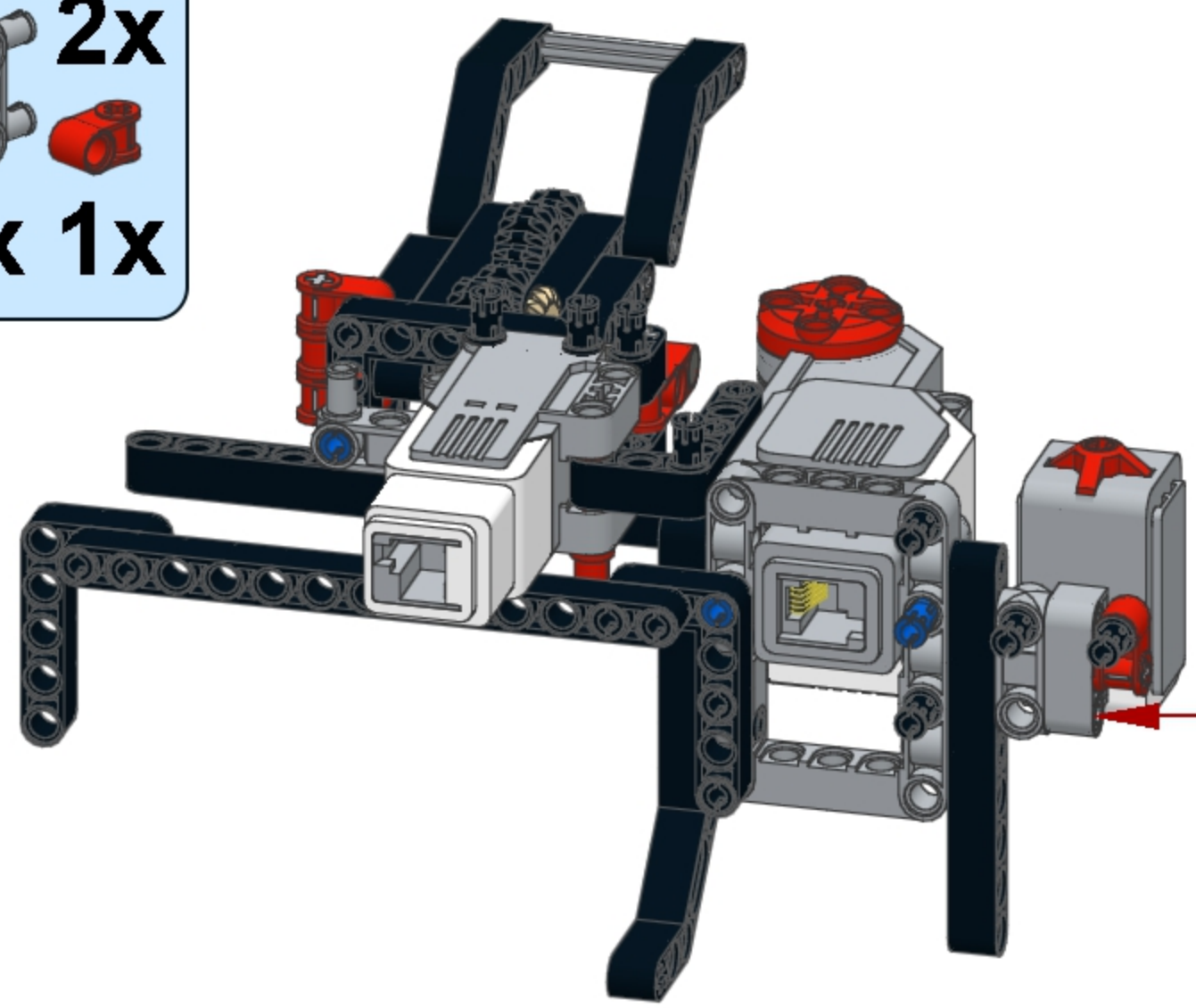
16

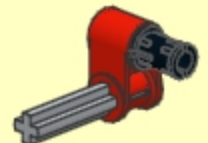
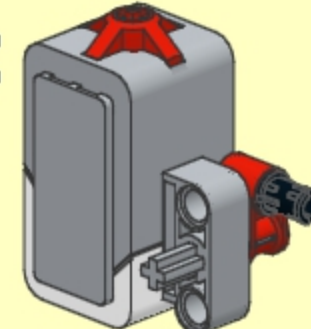
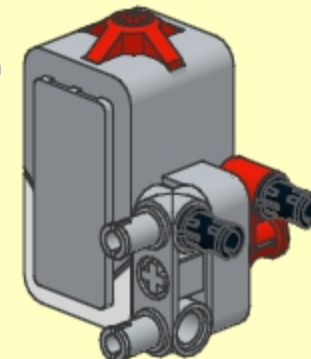


17






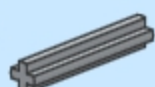


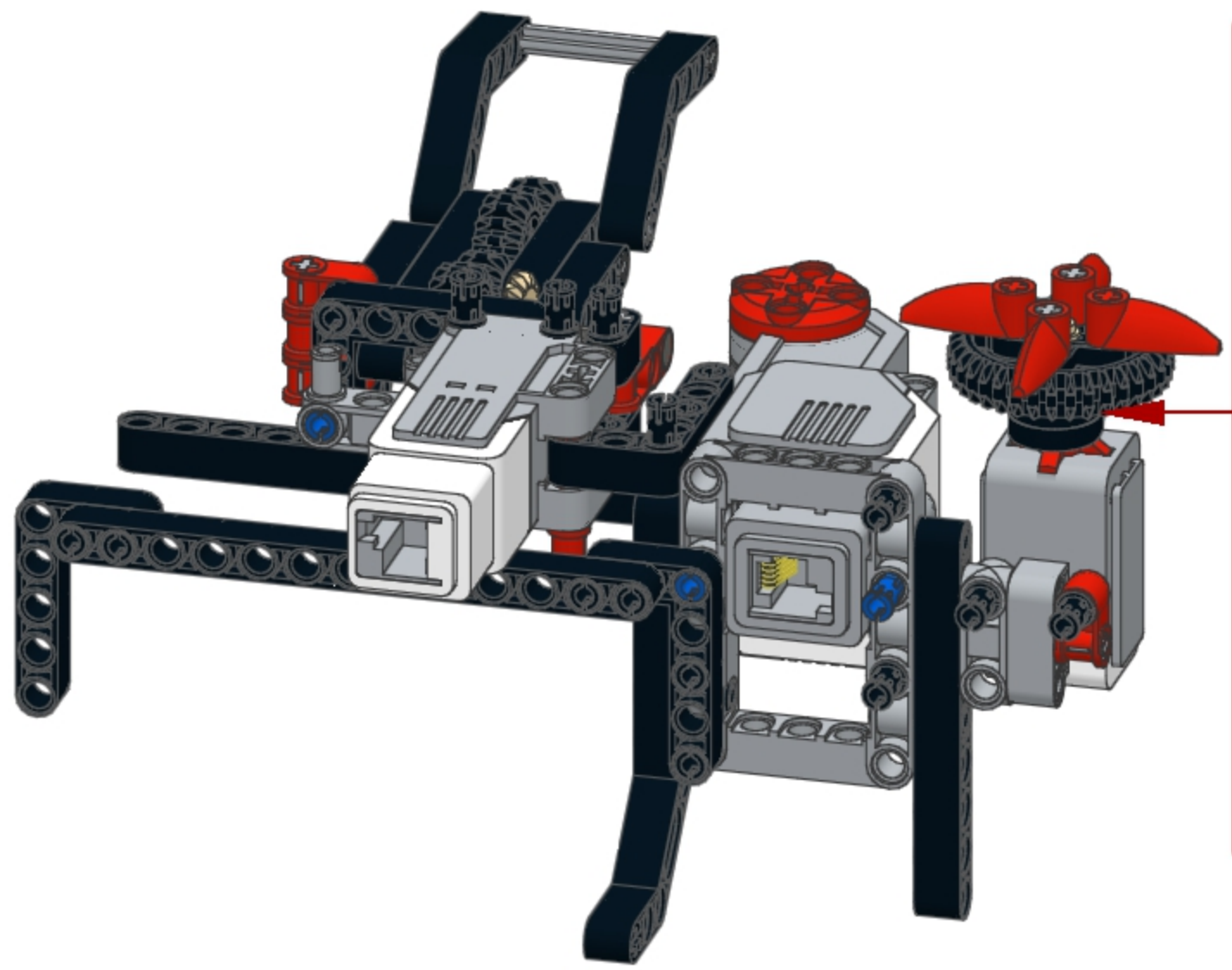
1x  1x  3  1x  2x  1x  1x 



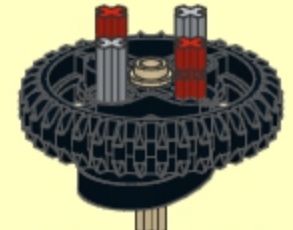



1 
2 
3 

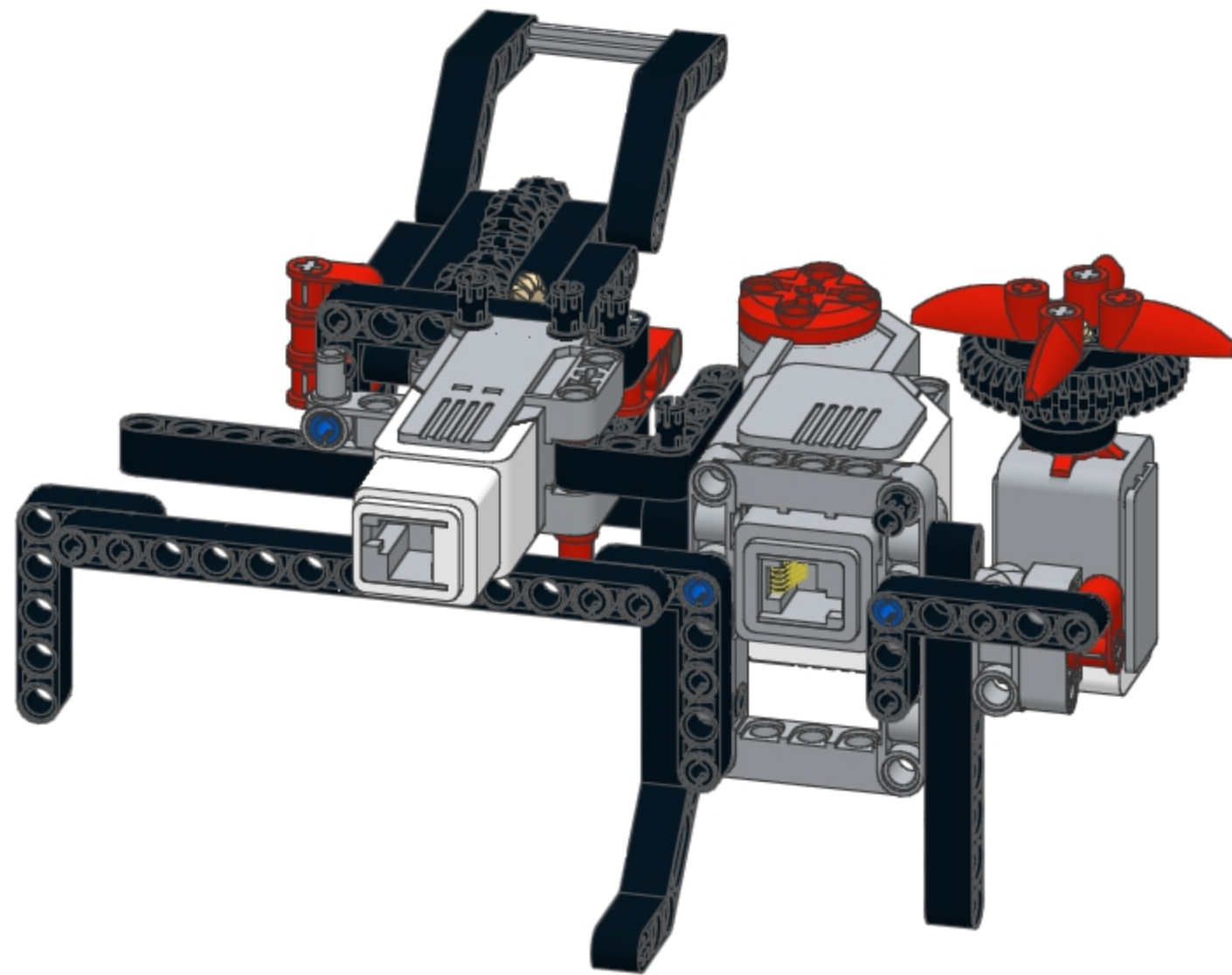
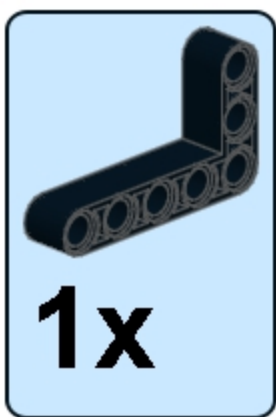
18

			2
4x	2x	2x	
			
1x	1x	2x	
			3



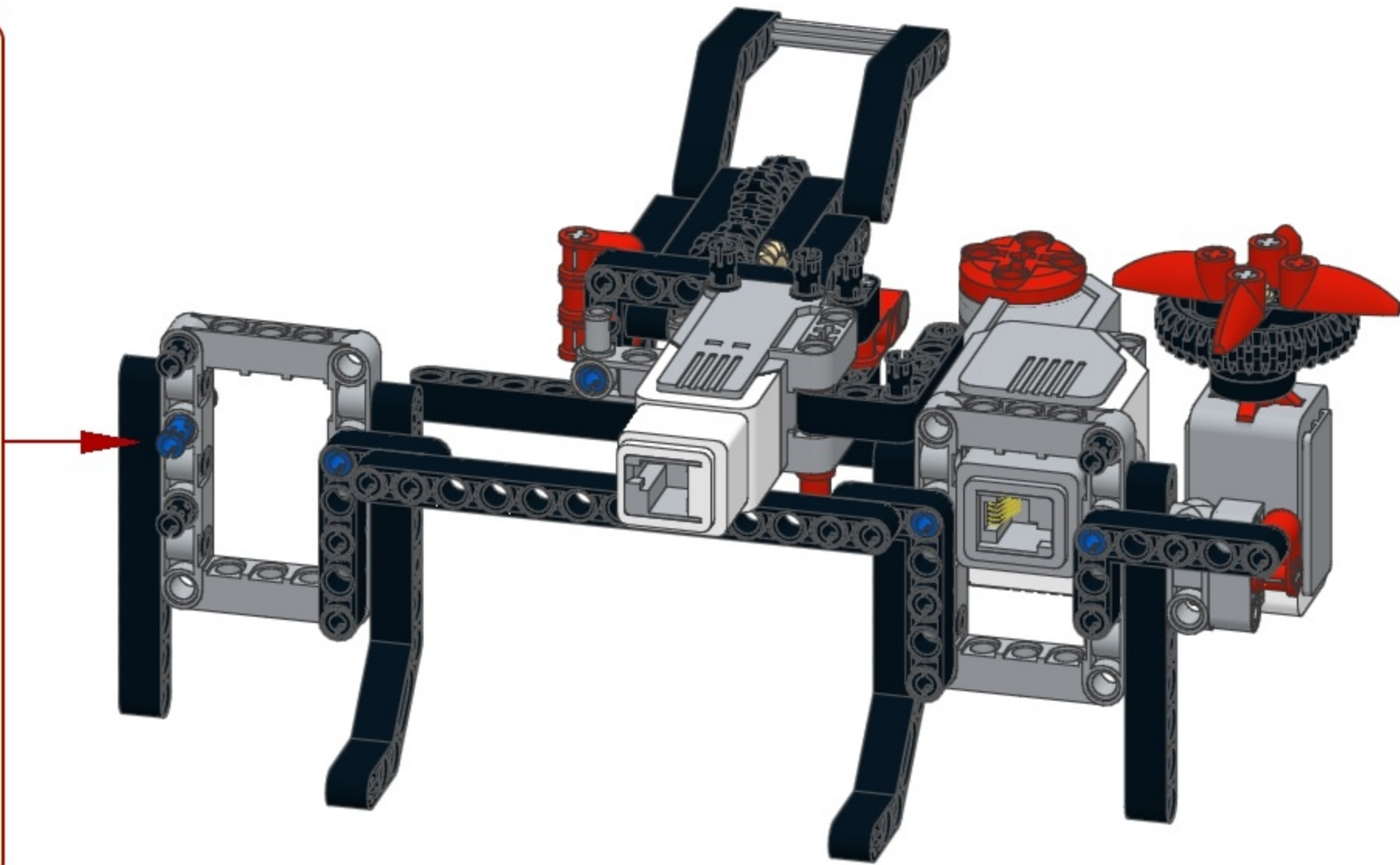
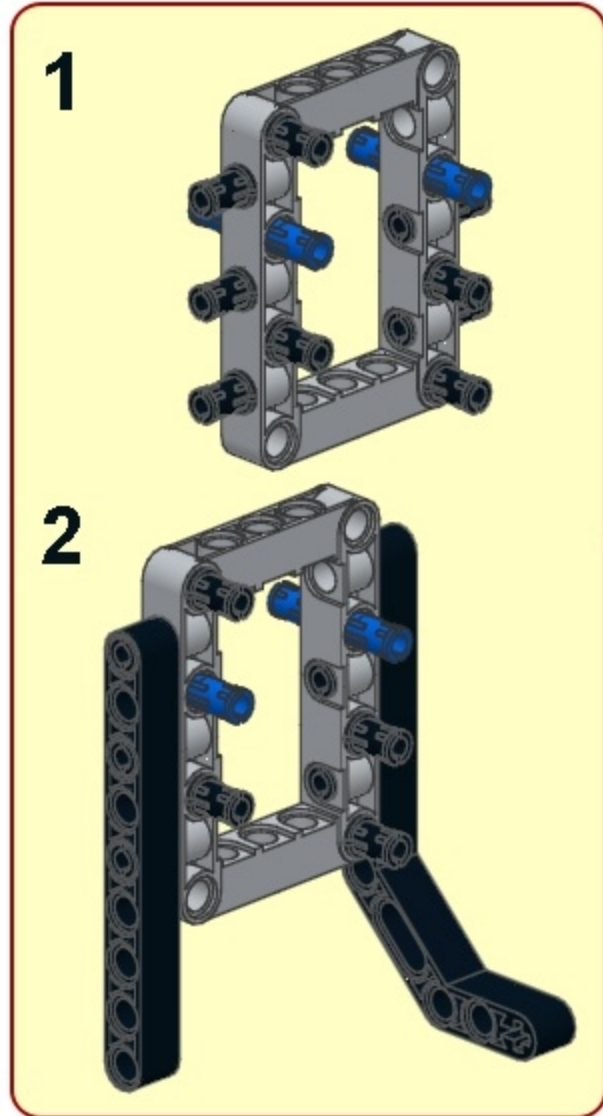
1	
2	
3	
4	

19

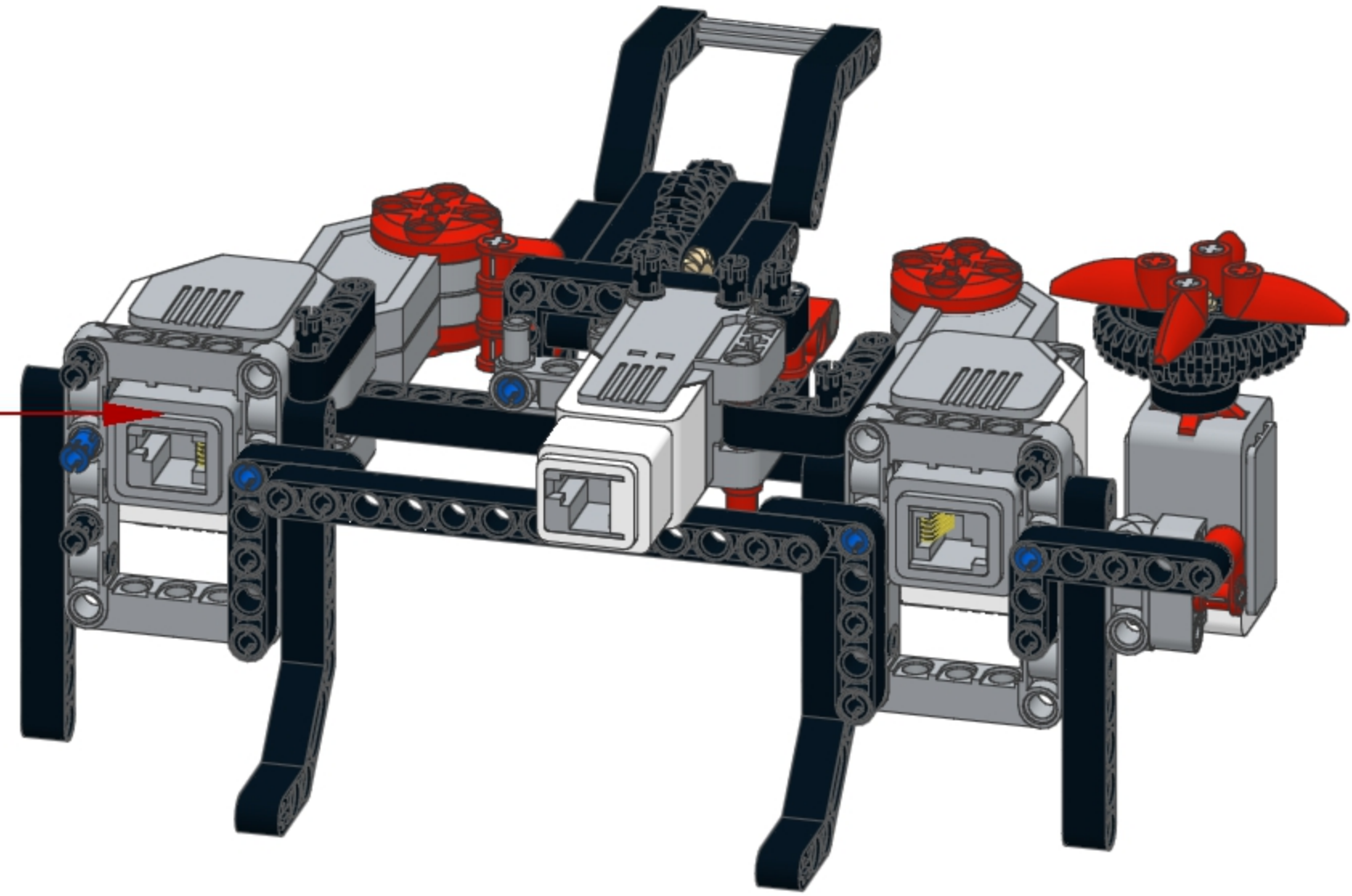
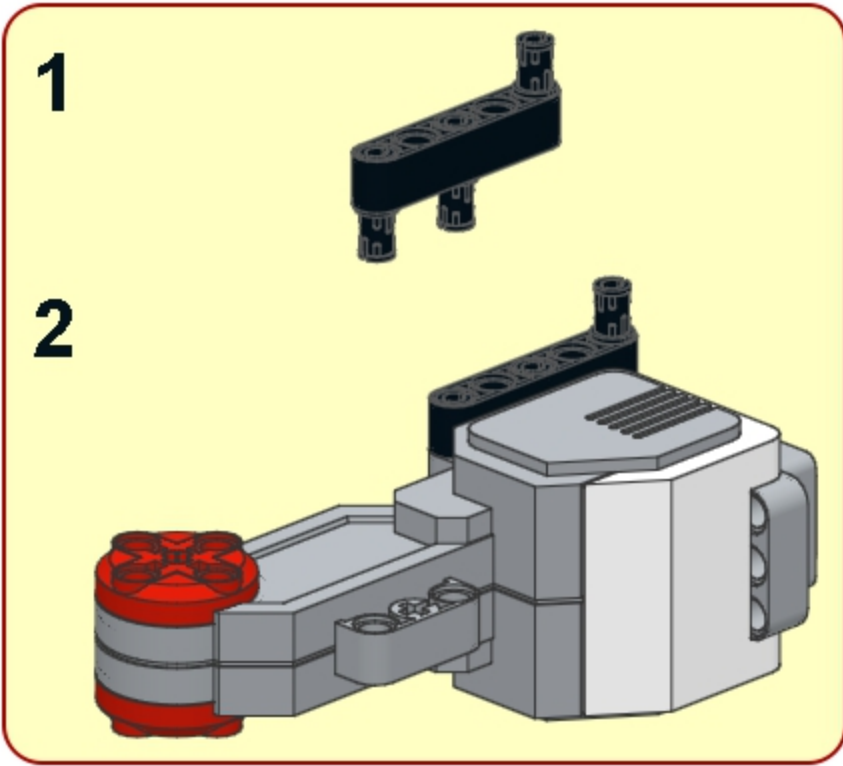
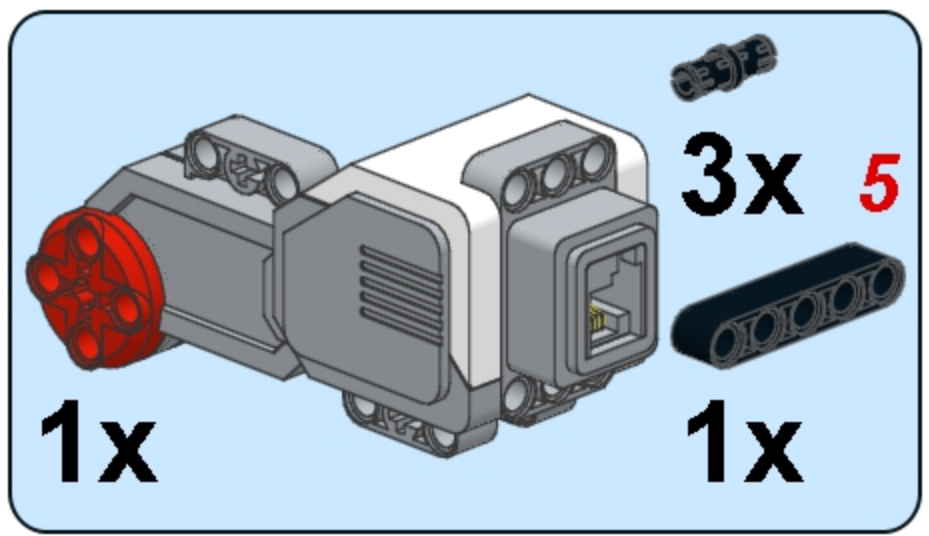


20

- 1x Pin, Grey
- 9x Pin, Blue
- 2x Pin, Blue
- 1x Technic Beam, Grey, 9 holes
- 1x Technic Beam, Grey, 9 holes, curved
- 1x Technic Beam, Grey, 9 holes, rectangular

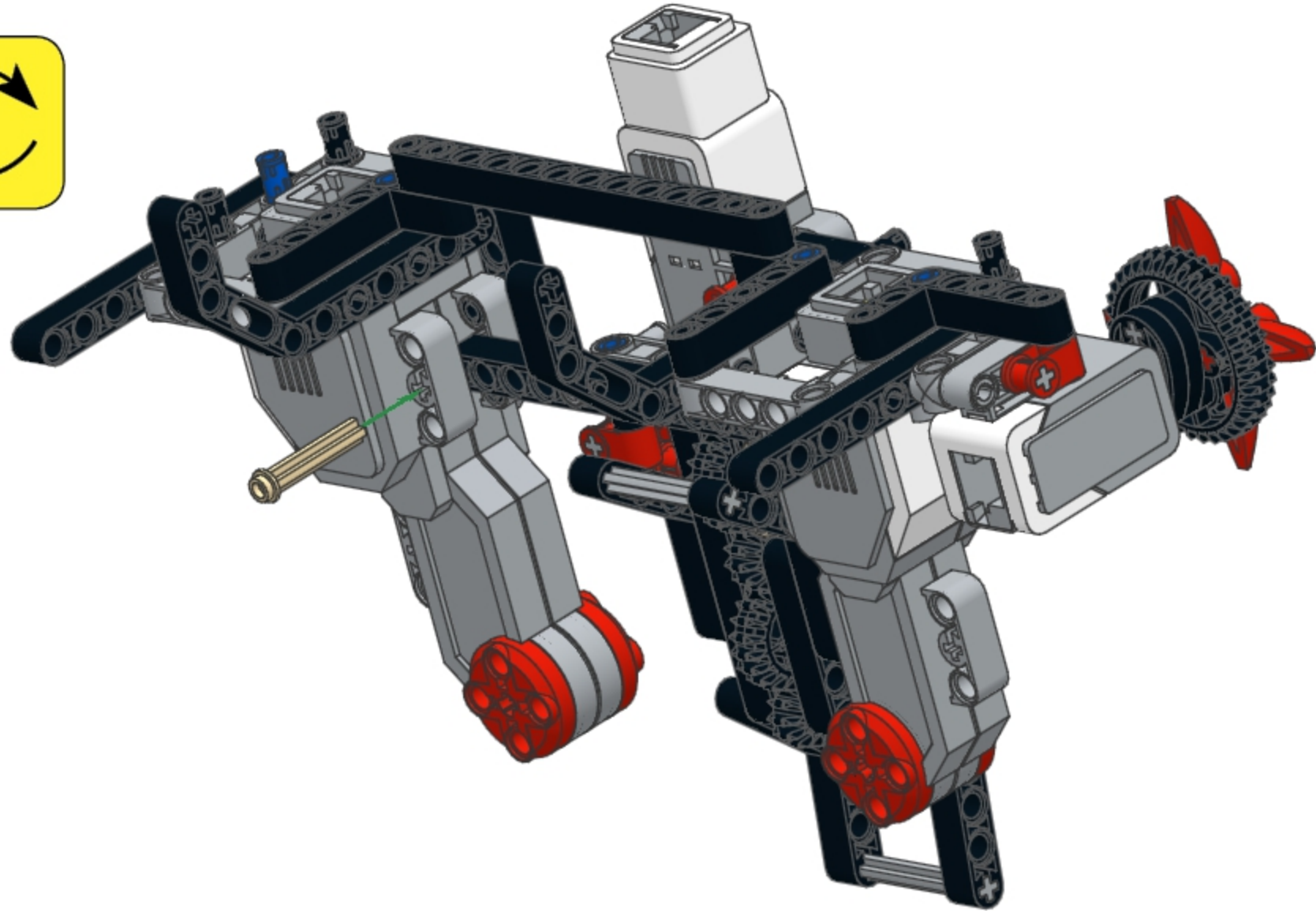


21

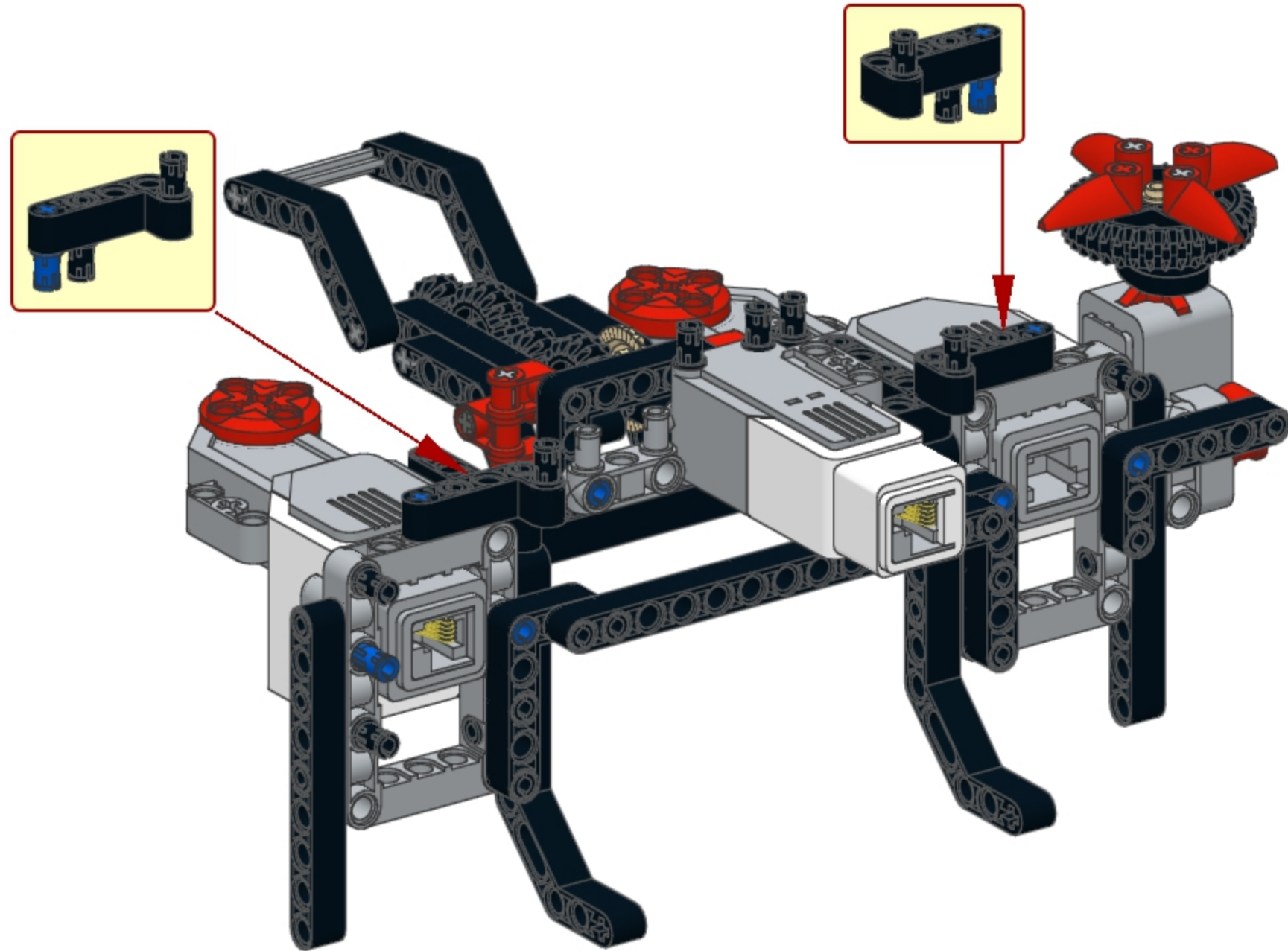
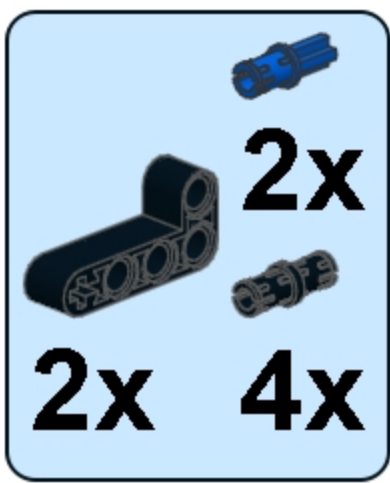


22

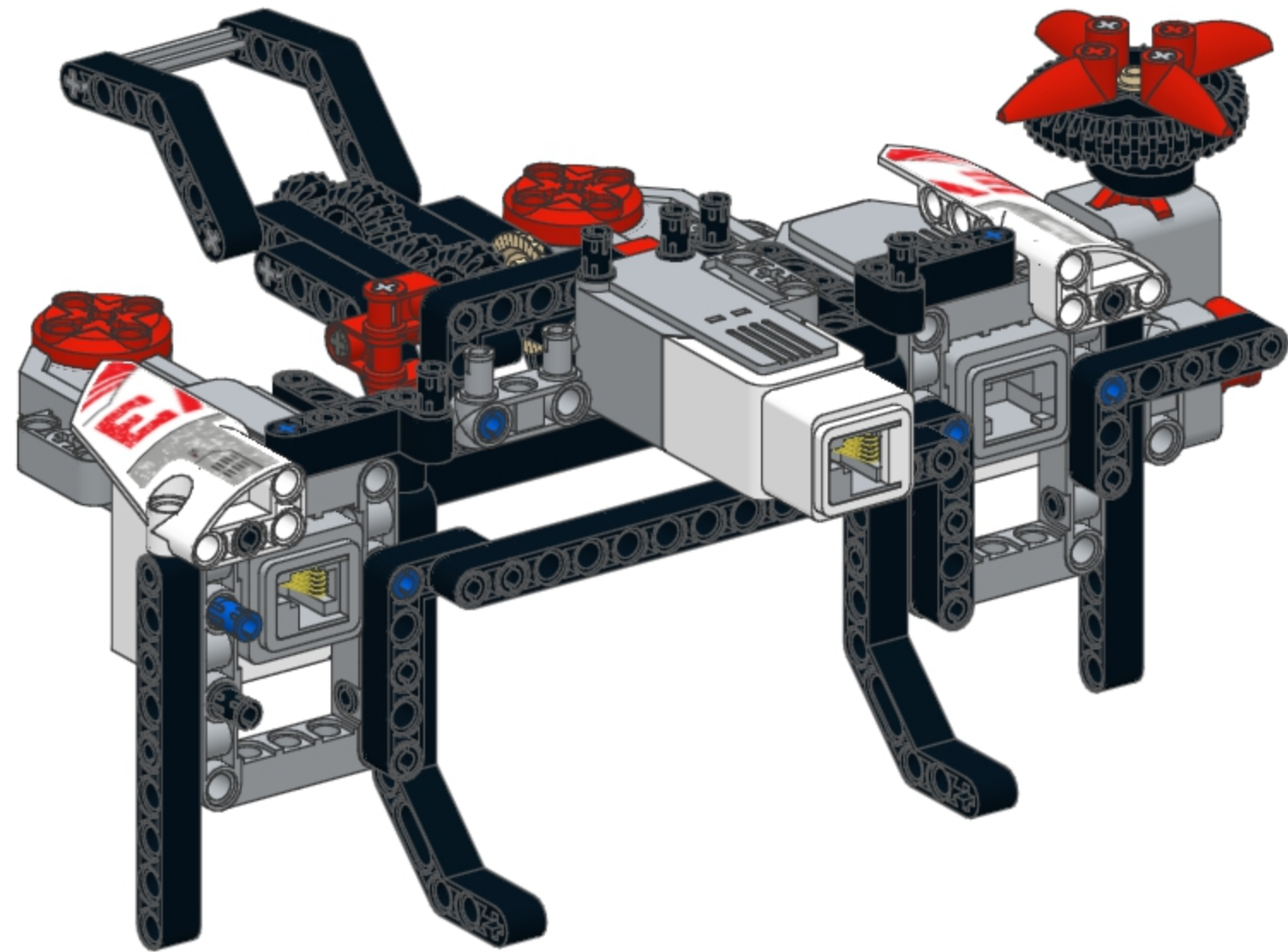
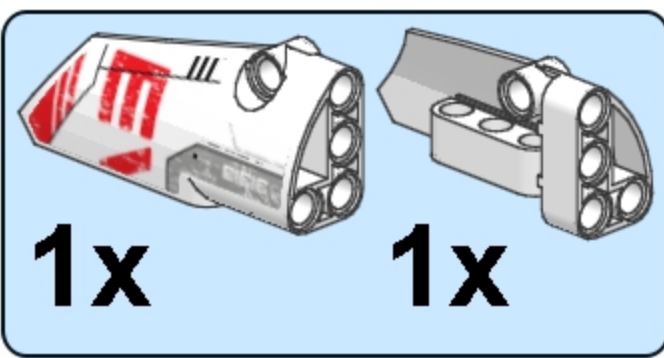
3
1x



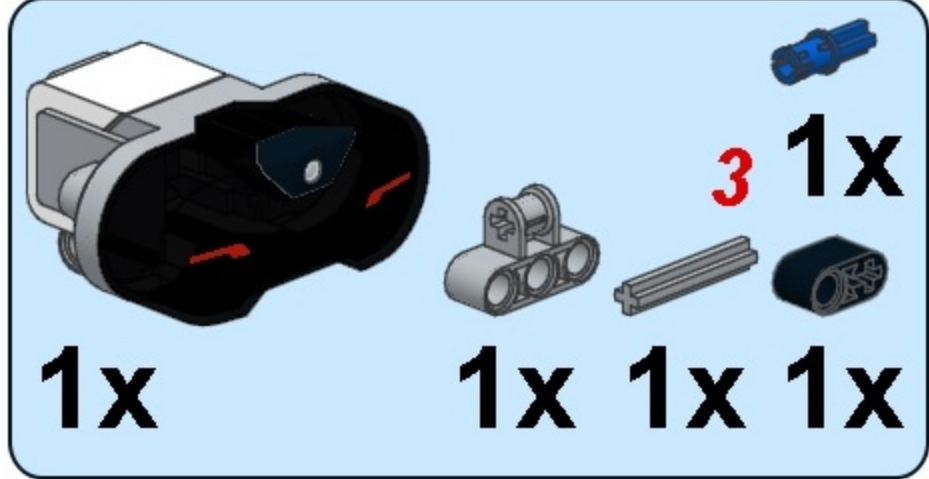
23



24



25



1x [Motor]

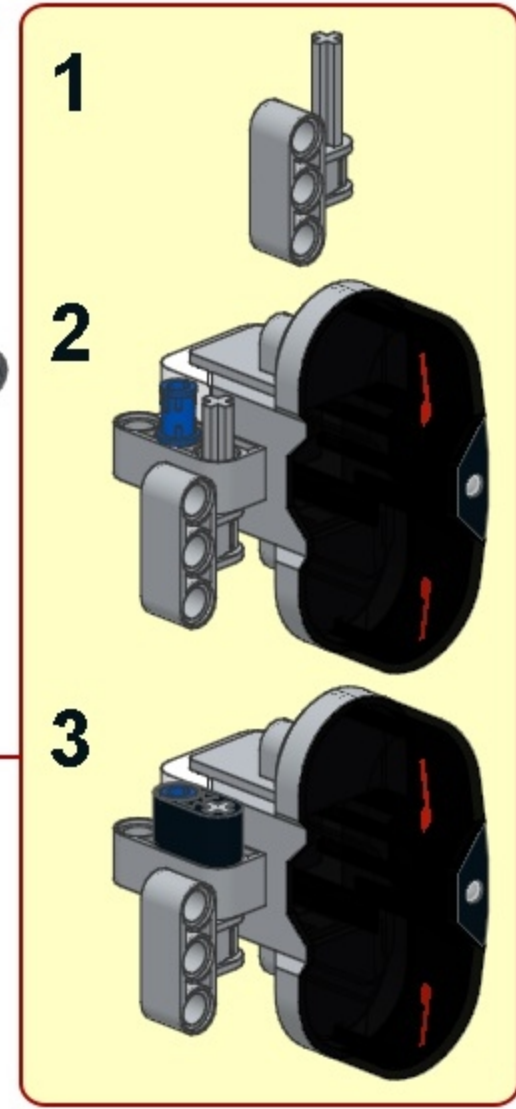
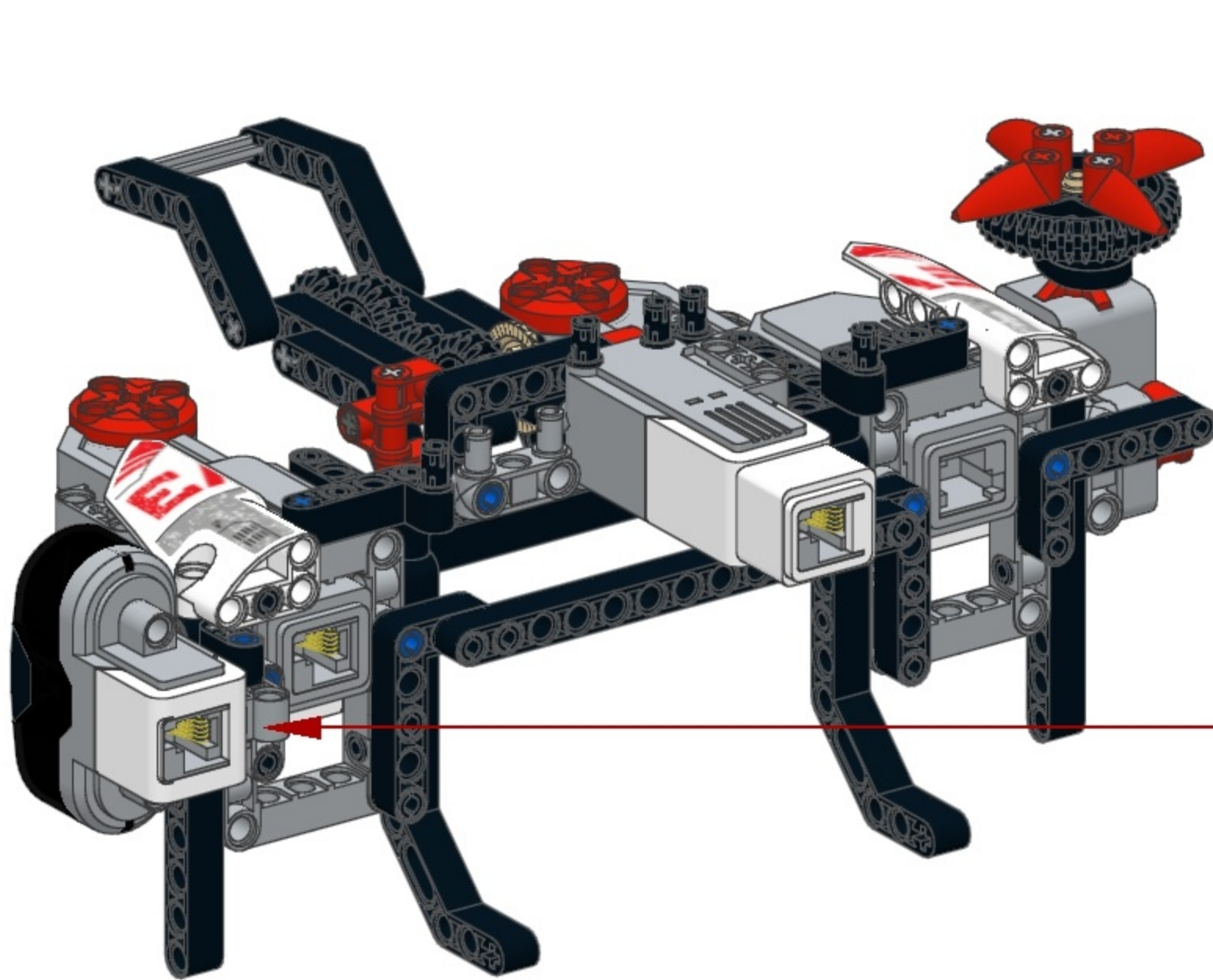
1x [Bracket]

3 [Pin]

1x [Pin]

1x [Pin]

1x [Pin]

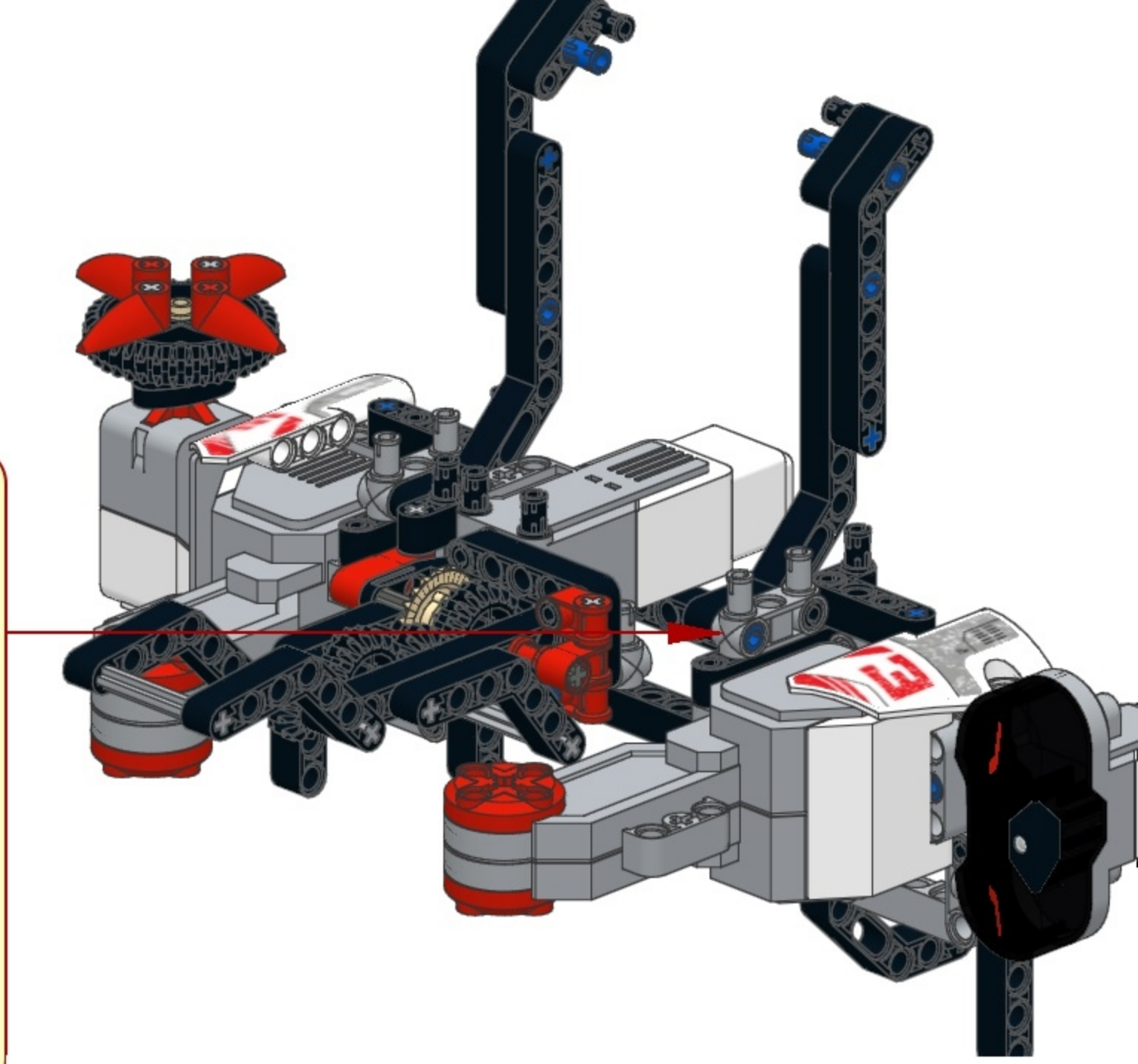
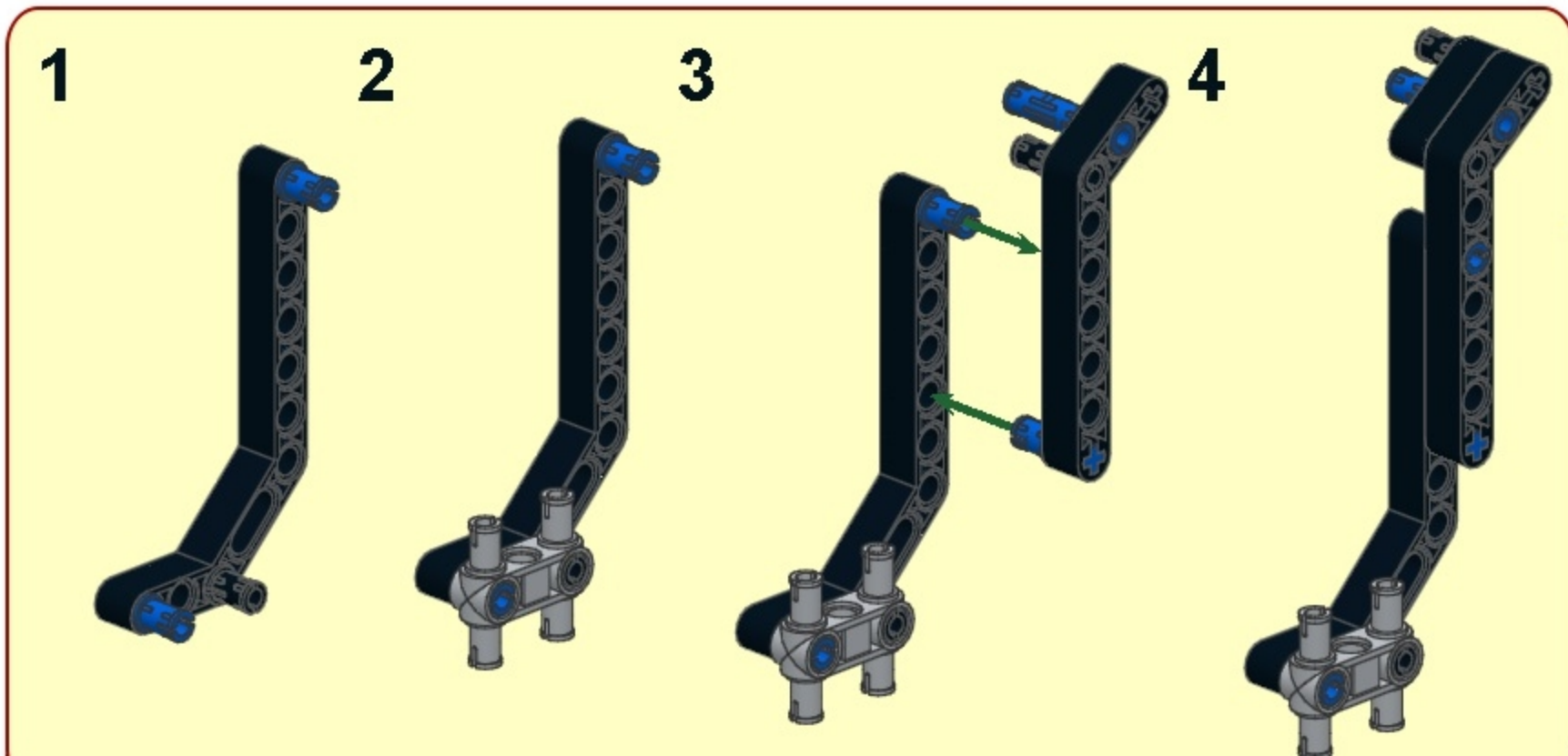
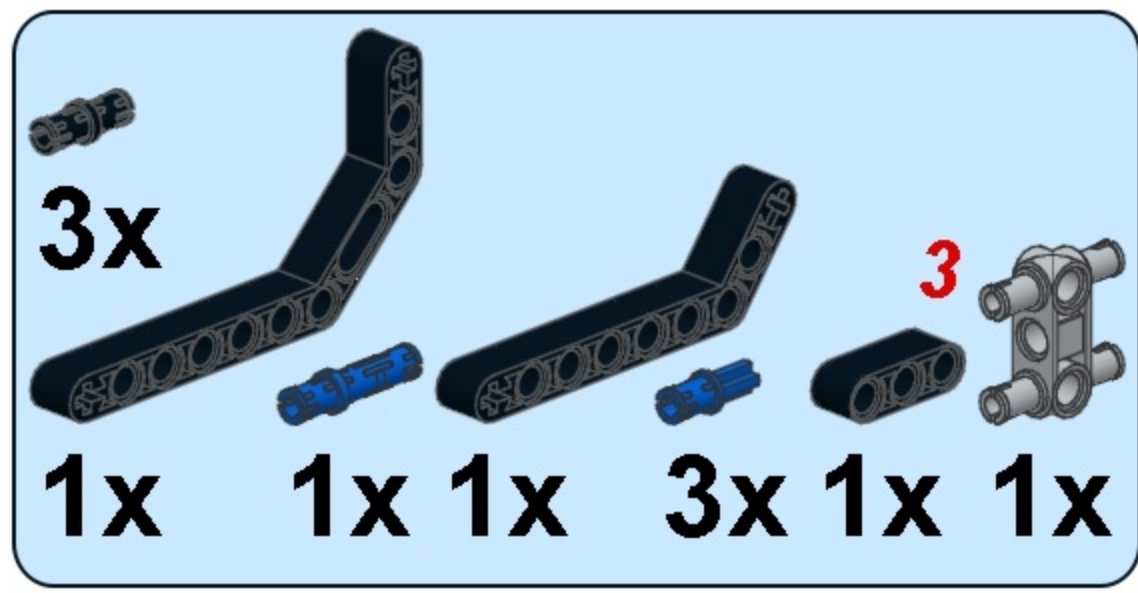


1 [Bracket]

2 [Motor]

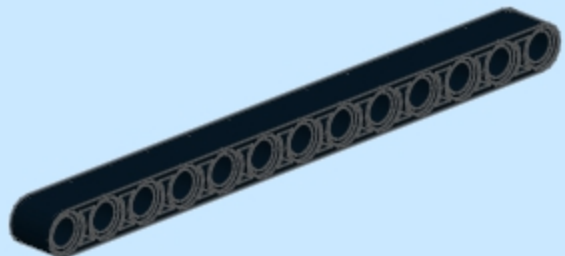
3 [Pin]

27

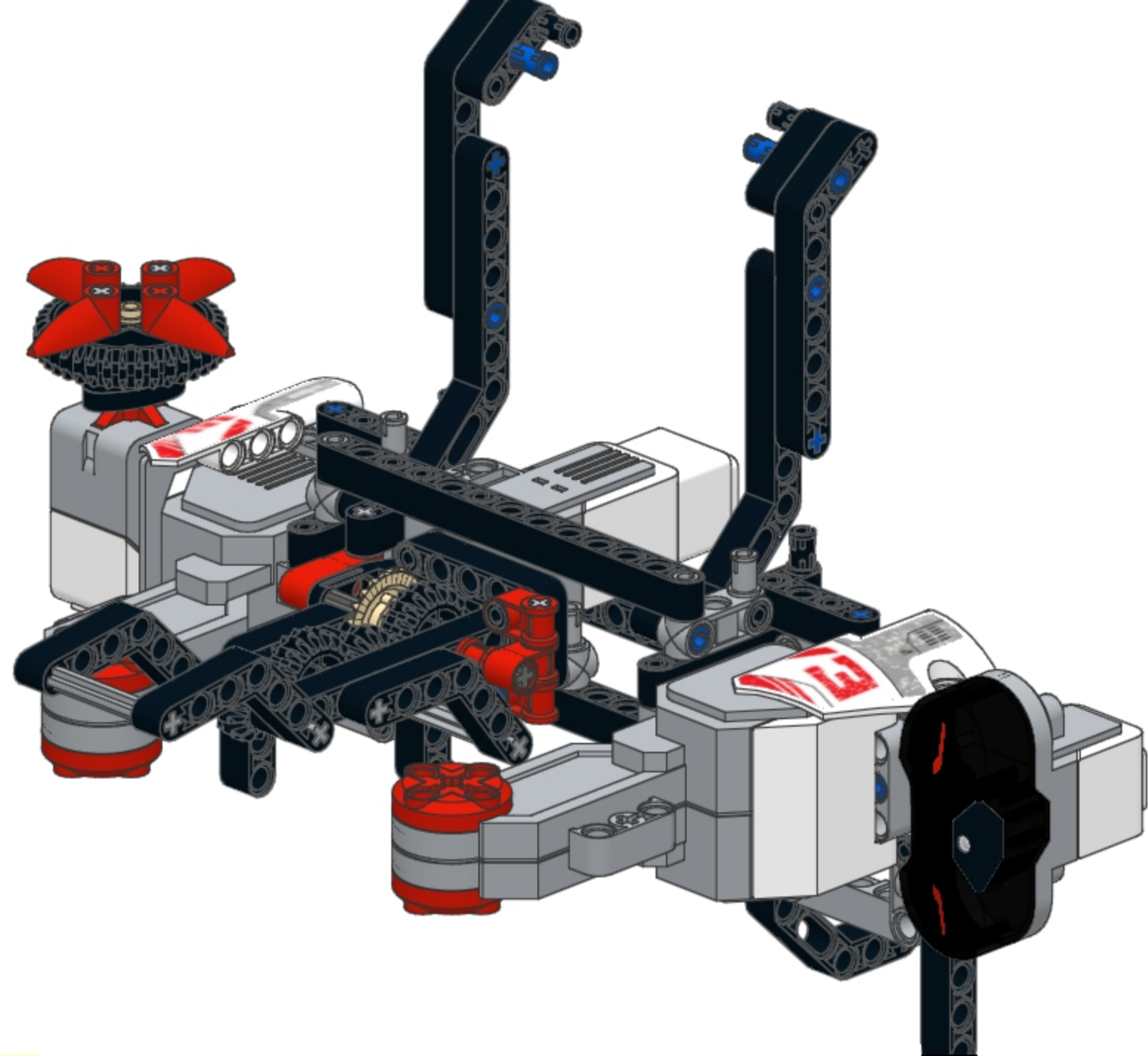


28

13

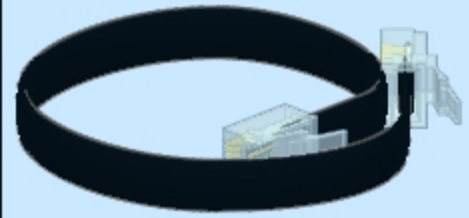


1x

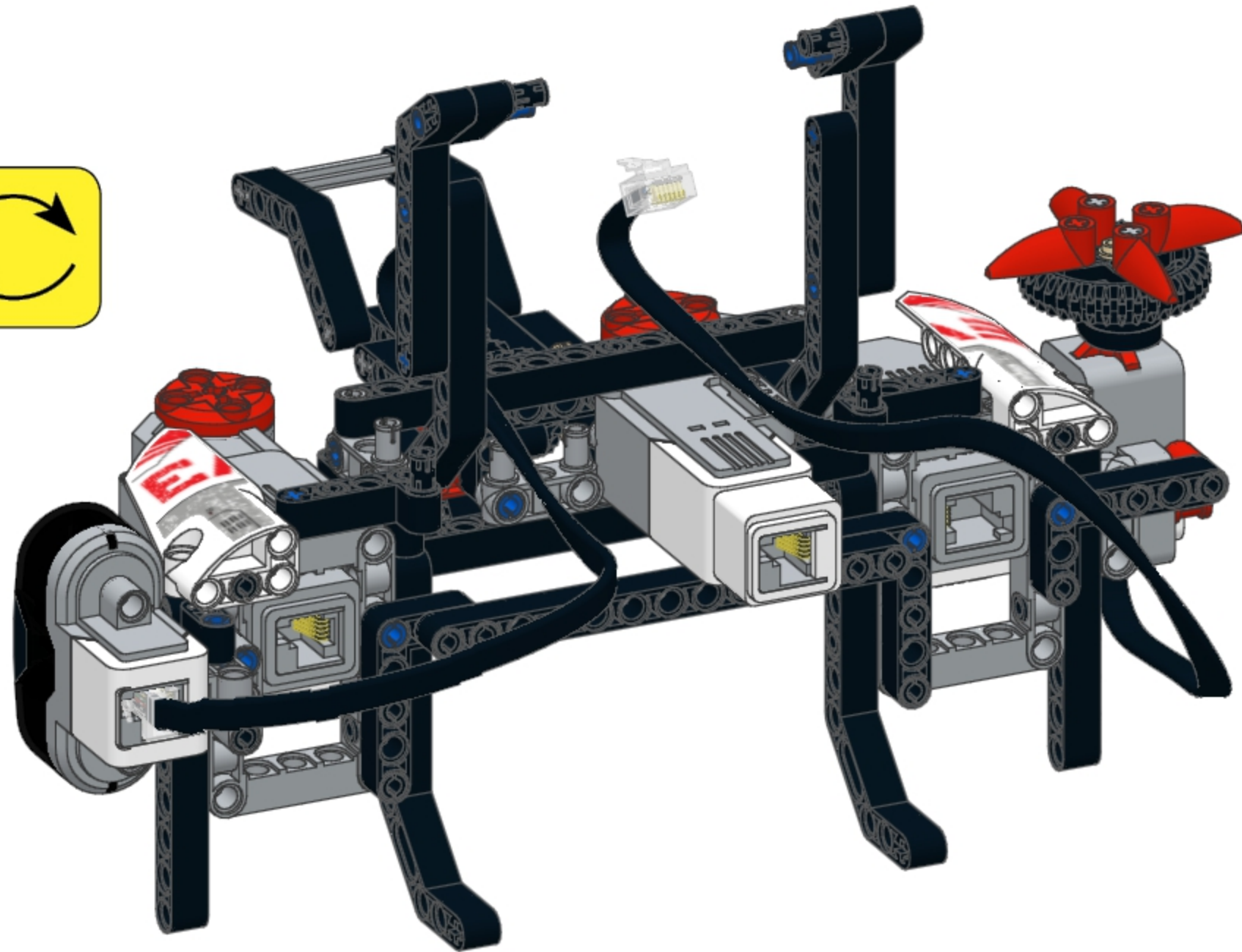


29

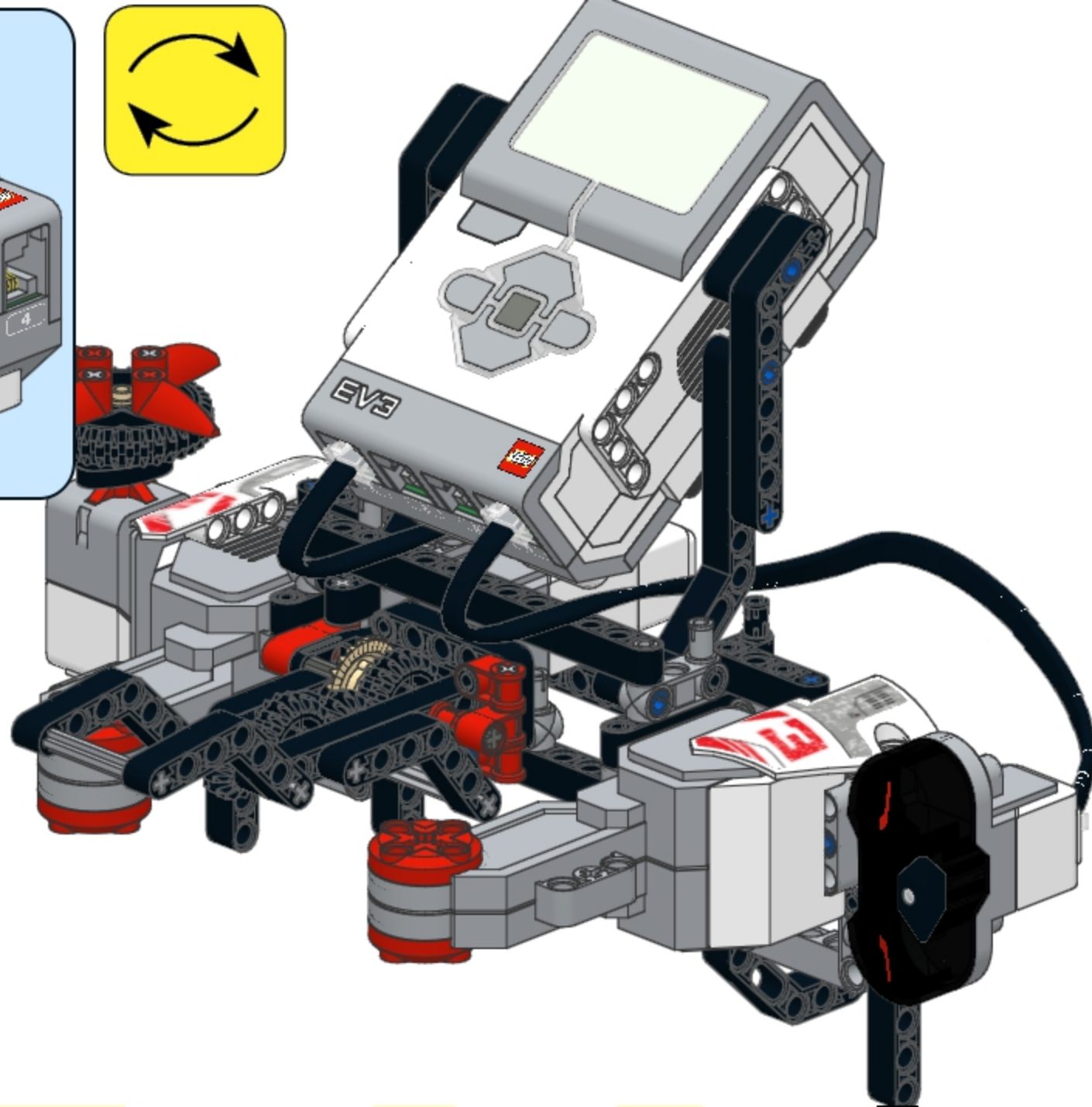
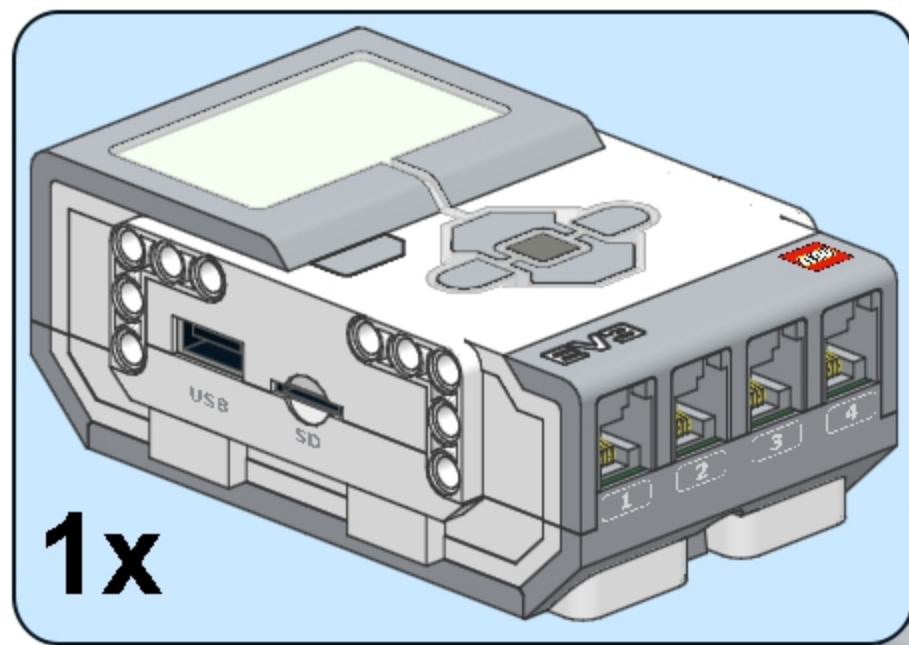
25cm



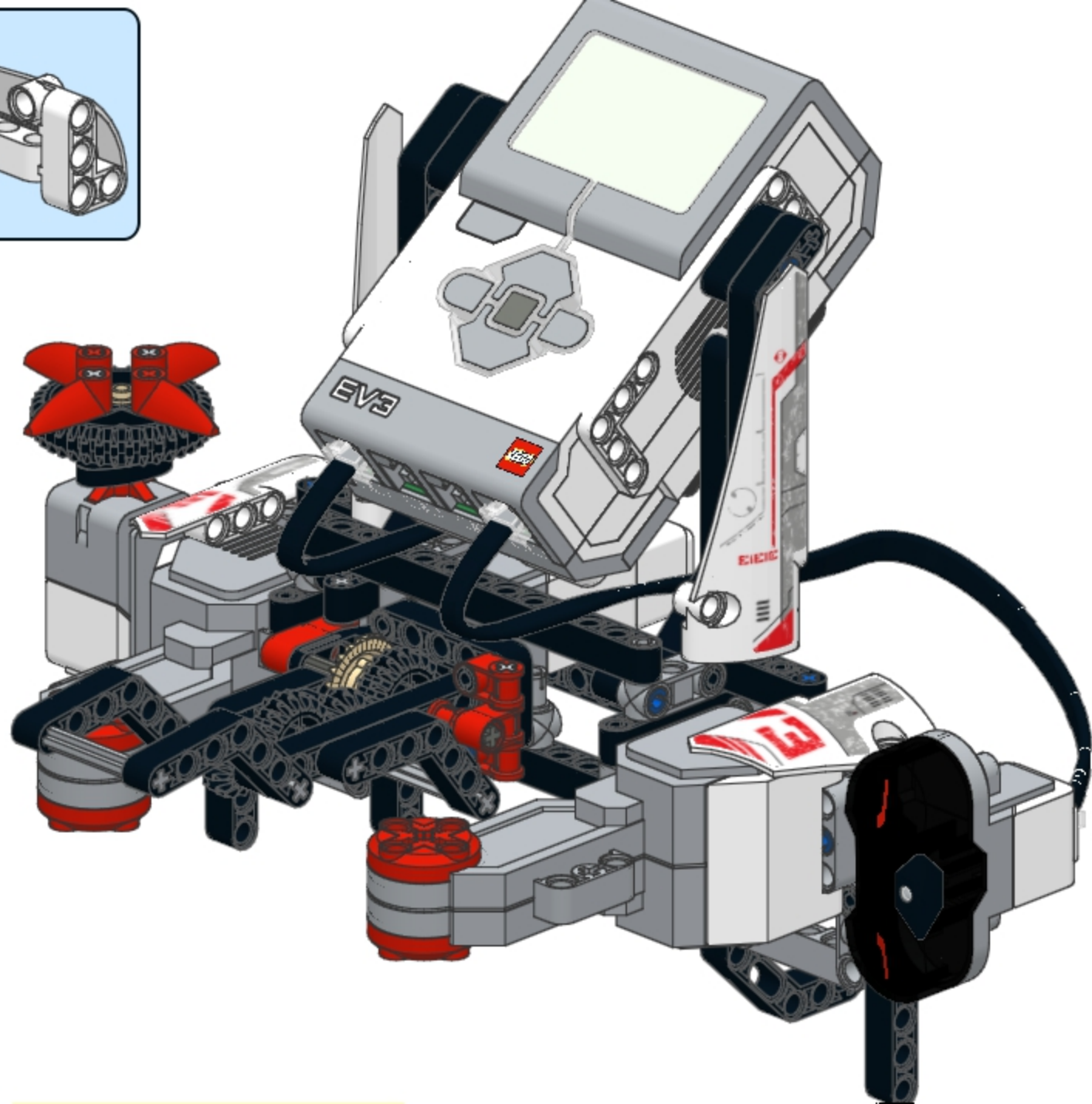
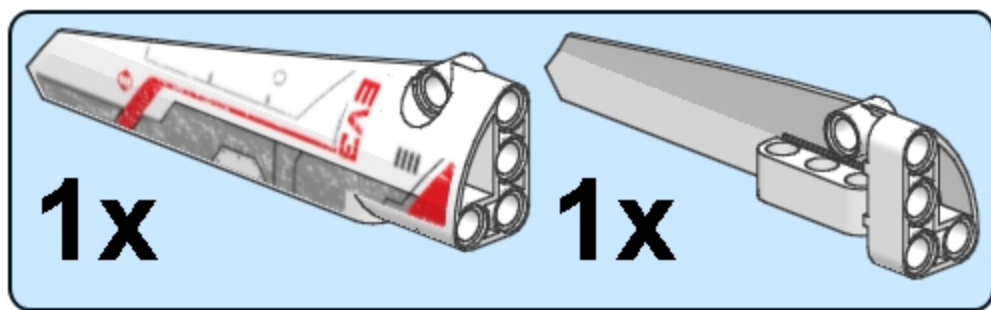
2x



30

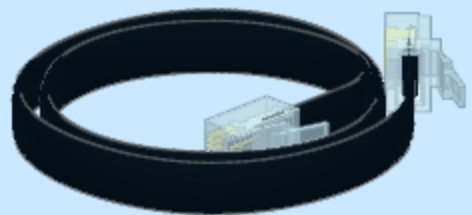


31

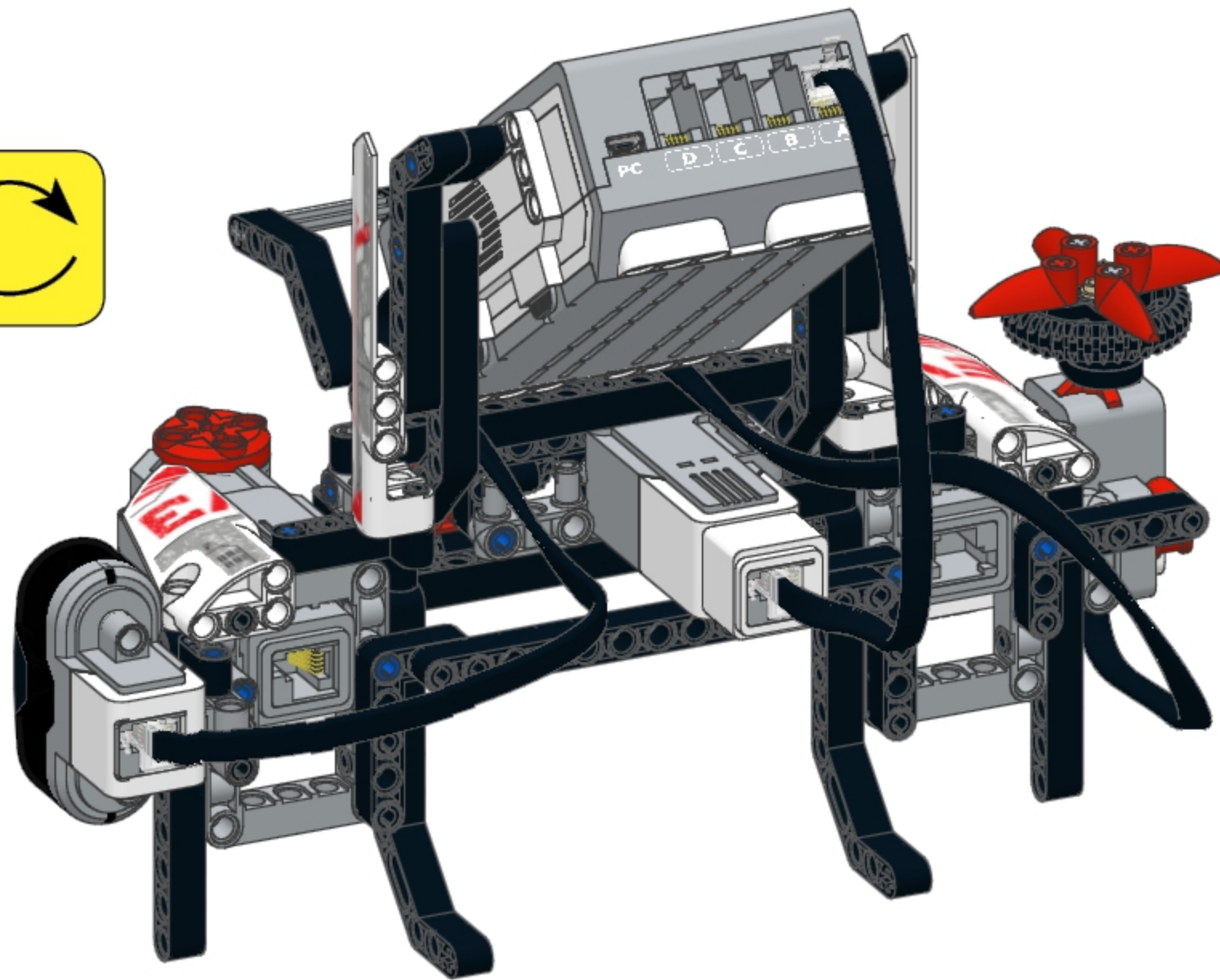


32

35cm

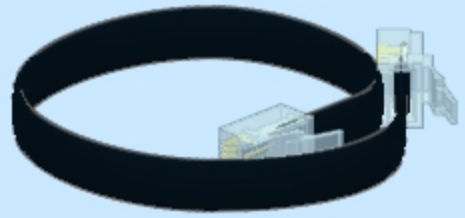


1x

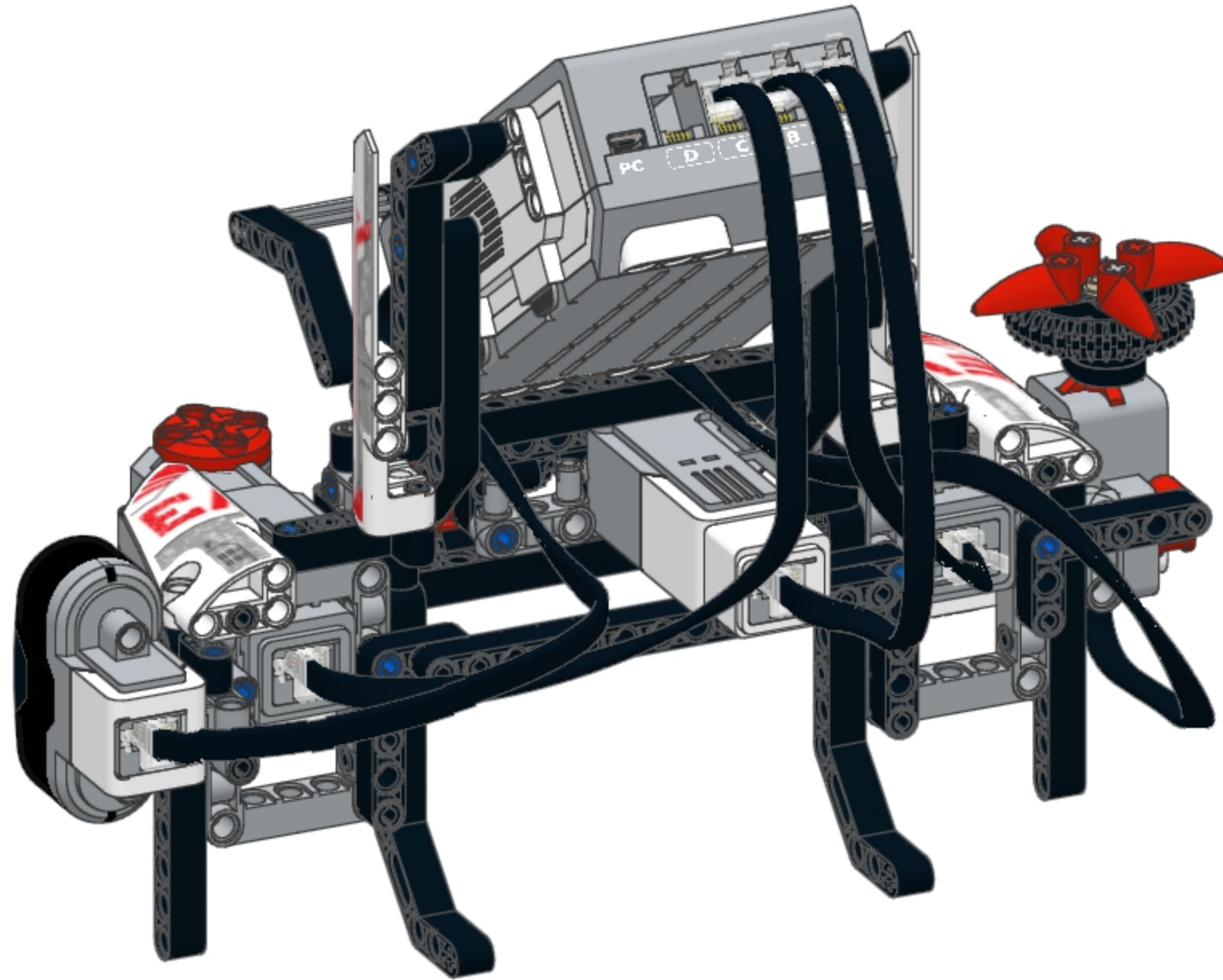


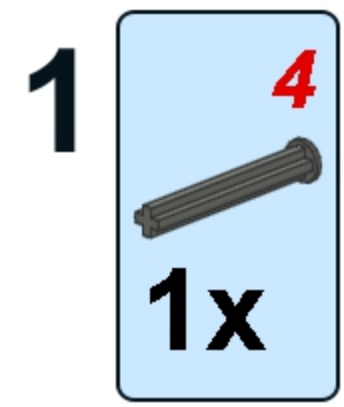
33

25cm

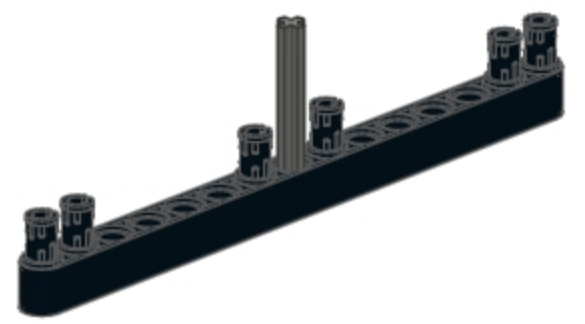
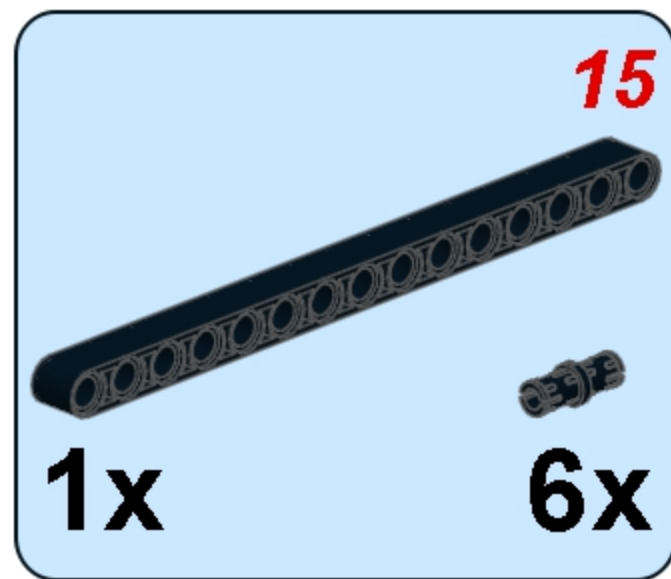


2x

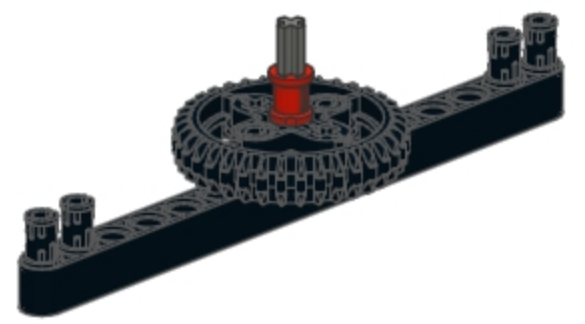




2



3



4

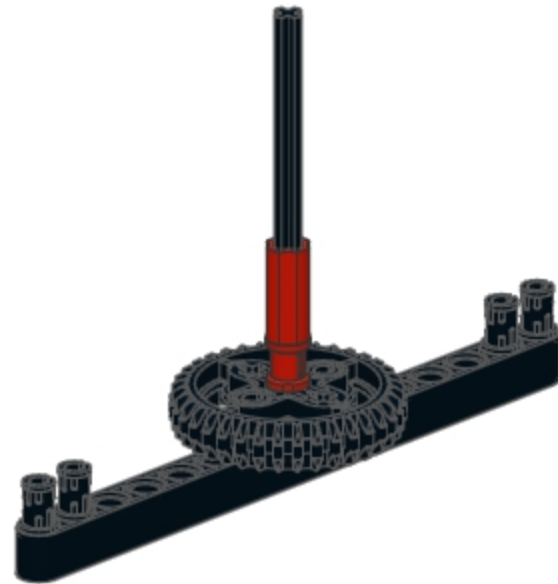


1x

6



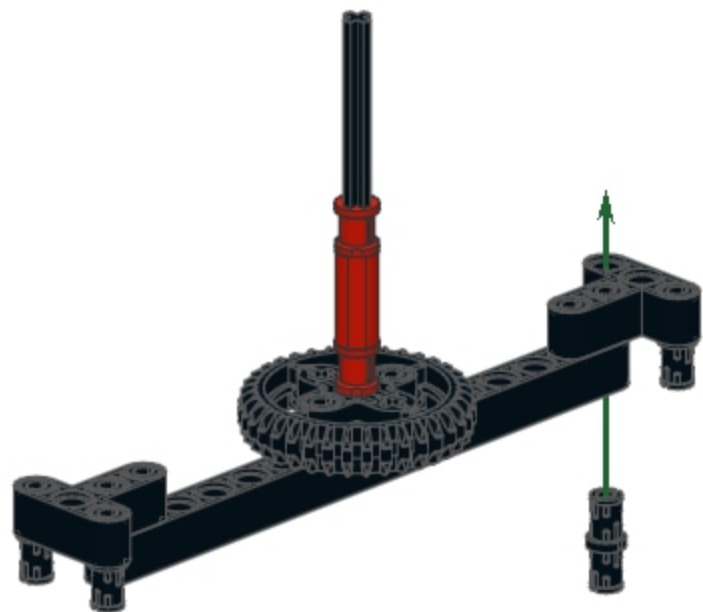
1x



5

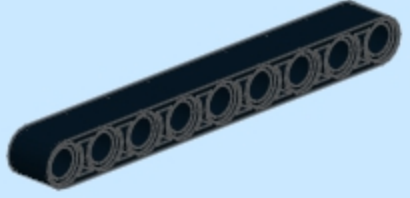


2x 4x 1x

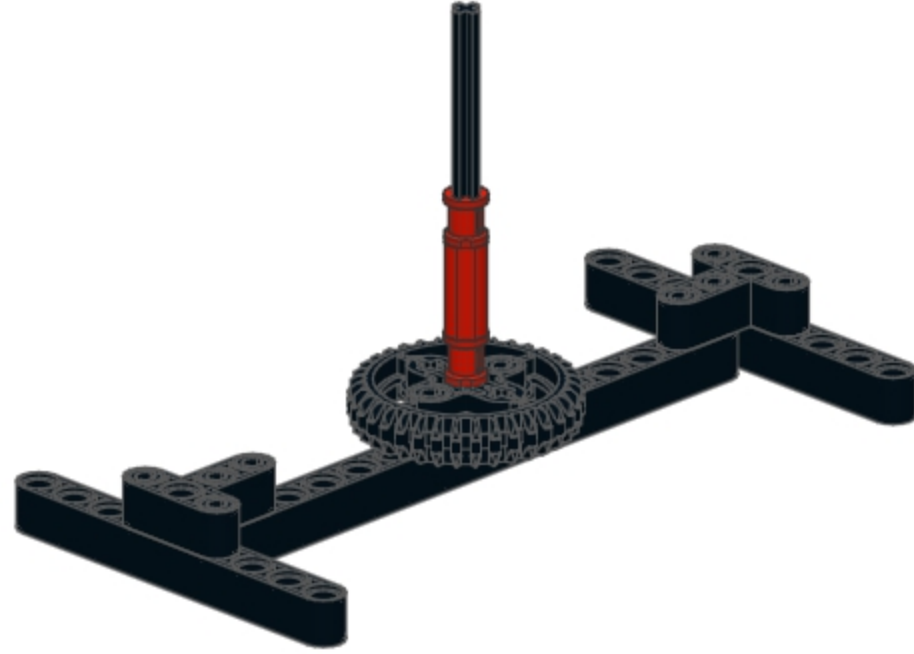


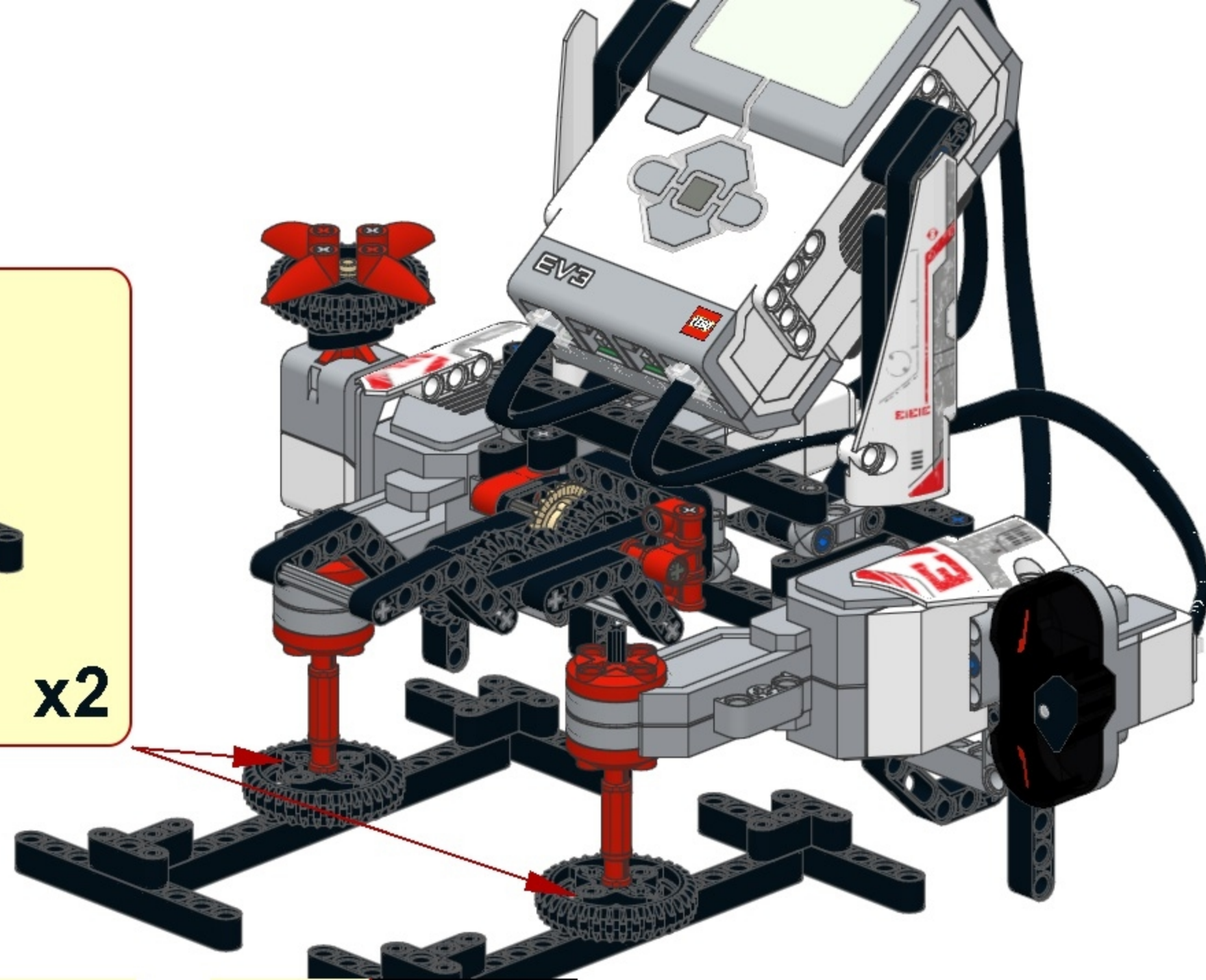
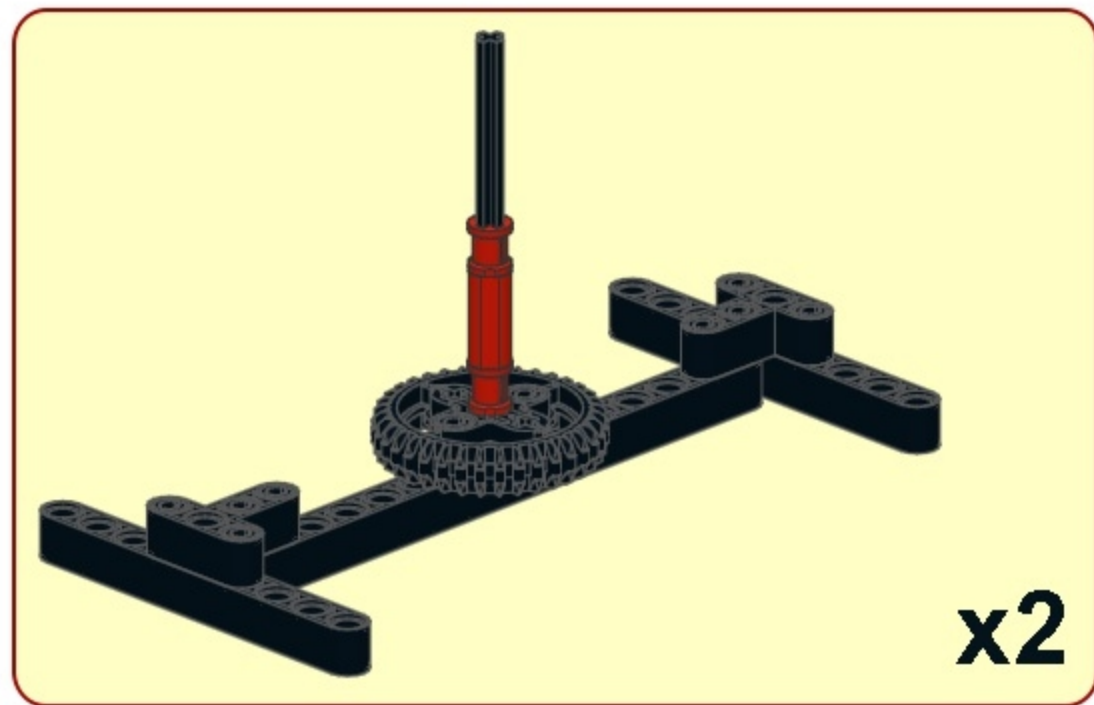
6

9



2x

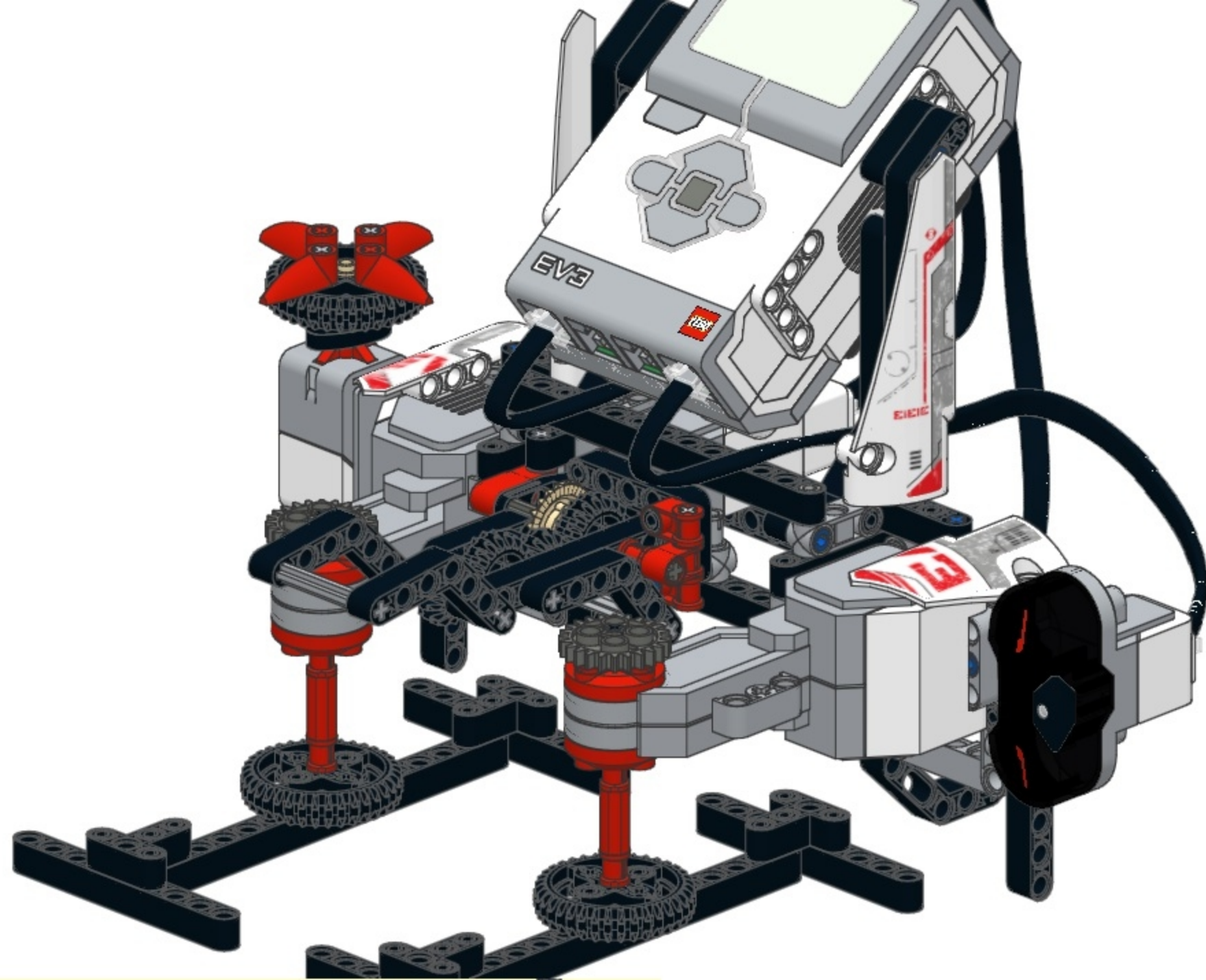




35



2x



36

