



STAR WARS

75060



 Booklet available in English on:
 Heft in deutscher Sprache erhältlich auf:
 Livret disponible en français sur :
 Folleto disponible en español en:
 Folheto disponível em português em:
 A füzet magyarul ezen a honlapon olvasható:
 如需中文版手册, 请访问 LEGO.com/starwars

About the LEGO® Star Wars™ Design Team

LEGO® Star Wars started in 1999, and we have made new models for the product line every year since then. The LEGO Star Wars design team consists of six to eight model designers and three graphic designers. The team is a mix of new designers with fresh ideas, and experienced LEGO Star Wars designers with many models under their belts.

This is an ideal team for creating new, innovative LEGO Star Wars models, as well as revising and improving previous LEGO versions of classic and iconic Star Wars ships. The focus of our main LEGO Star Wars product line is to make cool, fun, and inspiring LEGO Star Wars models for kids.

For LEGO Direct we have the opportunity to make even bigger, more challenging models with special attention to accuracy and details. These models are fun and exciting to develop, but also a huge challenge! We always do our very best, and hope that you will enjoy the building experience.

Happy building!



Jens Kronvold Frederiksen
Design Director
LEGO Star Wars



About *Slave I*™



© & TM Lucasfilm Ltd.

Slave I was originally a prototype police vehicle from Kuat Systems Engineering, and its official name was *Firespray-31* patrol and attack craft. Only six were made in the entire galaxy, and they were used on the asteroid prison Oovo 4. Infamous bounty hunter Jango Fett stole one of the six prototypes during a prison riot on the asteroid, and during his escape, launched two missiles into the hangar bay where the other five were kept. Jango Fett renamed the only remaining Firespray starship *Slave I*, and it became his most frequent mode of transportation.

Unlike most starships, *Slave I* sits flat on its bottom surface when idle, and rotates ninety degrees to fly vertically. The original prototype was a well-armed starship, and included two heavy twin blaster cannons as well as two rapid-fire laser cannons. Other weapons included projectile launchers, homing missiles, and a naval minelayer with seismic charges. Because the Firesprays were intended to be prisoner transports, they were heavily armoured and contained large holding cells within the vehicle.

Jango Fett made numerous alterations to *Slave I*, including larger, upgraded Kuat drive engines and power generators, which made even a ship as small as *Slave I* capable of sublight speed, usually seen only in Y-wing Starfighters.

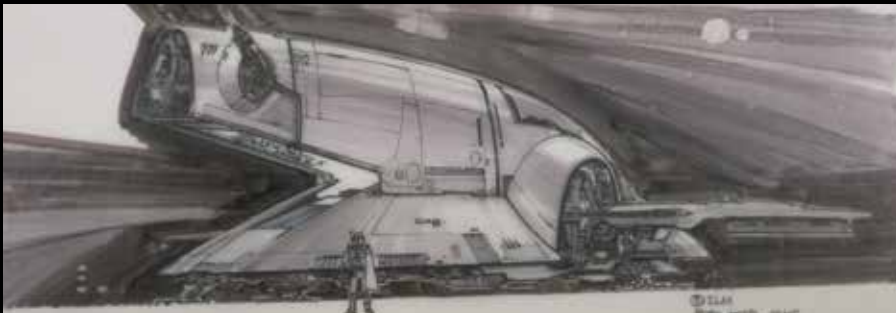
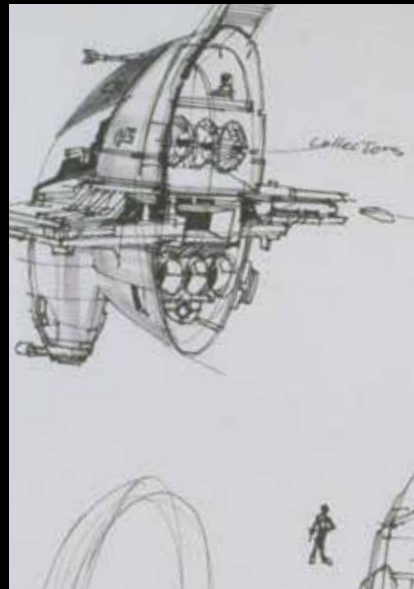
In the years following Jango's death, the ship underwent heavy modifications, including the addition of a cloaking device, proton torpedoes, and a stolen sensor masking and jamming array, which makes the ship essentially invisible to almost all sensors and allows it to sneak into any planet or Imperial Centre without being detected.

Perhaps most famously, Boba Fett used *Slave I* to transport Han Solo's carbon-frozen body to Jabba the Hutt on Tatooine to collect the bounty on Han Solo. Boba Fett continued to use primarily *Slave I* to capture bounties, and the ship became feared throughout the galaxy.



Slave I™ Facts

Manufacturer.....Kuat Systems Engineering
Model.....Modified *Firespray-31*
patrol and attack craft
Class.....Space Transport
Cost.....Not for sale (likely to be valued
at 726,500 credits)



Concept Art © & TM Lucasfilm Ltd.



Visual Effects Artist Ken Ralston © & TM Lucasfilm Ltd.

Technical Specifications

Length.....21.5 metres
Width.....21.3 metres
Height/depth.....7.8 metres
Maximum speed.....1,000 km/h in atmosphere
Maximum acceleration.....2,500 G
Engine unit(s).....F-31 drive engines

Meet the Model Designer

Hans Burkhard Schlömer

Q: How long have you been a LEGO® Star Wars model designer?

A: I've been a LEGO® designer for close to six years now. Last summer I was asked to "help out a little bit" on LEGO Star Wars. So I expected to build a small speeder to go along with a larger set or something like that. Well, surprise! Instead of going on vacation, I spent the whole summer in Billund designing the next Ultimate Collector's Series set. That was even better than a vacation!

Q: How was designing the Slave I different from your work on other LEGO Star Wars models?

A: It actually wasn't very different; the *Slave I* is just quite a big set. Usually I design the first version of a set in LEGO Digital Designer. When I'm happy with that, I go ahead and build a version with bricks. It's much faster to apply changes digitally than to build new versions, especially with a model of this size!

Q: The Slave I flies vertically, but rotates to dock horizontally when not in use, did that present you with a challenge while designing this feature of the set?

A: Not really! UCS Star Wars sets usually come with a display stand, so the idea was to show the ship in flight mode anyway. Figuring out how to connect the stand to the model in a secure way was a challenge from a technical point of view, though. And when landed, the ship seems to hover. This is why there are transparent "spacers" on the underside of the base. It also makes it easier to pick up the model.



Model Designer Hans Burkhard Schlömer

Q: How did you plan the design for the *Slave I*? Did you use artist sketches or film stills to assist your creation of the model?

A: Getting the shape and proportions of the ship right was the main priority. For exterior details I had screen shots from the movies and reference material supplied by Lucasfilm. While looking at cross sections of the original *Slave I*, I realised that while it's filled with cool features, weapons, and living space, it is completely missing any internal support structure. Apparently the hull is all it takes to hold the *Slave I* together, like an eggshell. The biggest challenge in designing the model was to create a sturdy but light support structure.

Q: Does this model feature/accomplish something that no other LEGO® building set has? What elements or features make it unique? Other than scale, what really sets this version of the *Slave I* apart from previous LEGO versions?

A: This is the largest, most detailed LEGO® *Slave I* so far, and more true to the original than previous versions. In fact, the size of the model makes it both a collector series model and a playset, because it actually is in minifigure-scale. Even the underside of the model is very detailed, which is uncommon in LEGO sets.

Q: Were any new elements or minifigures created for this model?

A: A new, eight-brick-wide windscreen was created especially for this *Slave I* in trans-clear, same as on the original movie prop. Several other elements are exclusive to this set, in dark red, dark green, and sand green. We included a Bespin Guard and a Stormtrooper to go along with Boba and Han so that kids can re-enact the scene on the Cloud City landing platform when Boba Fett boards his craft with his frozen trophy.

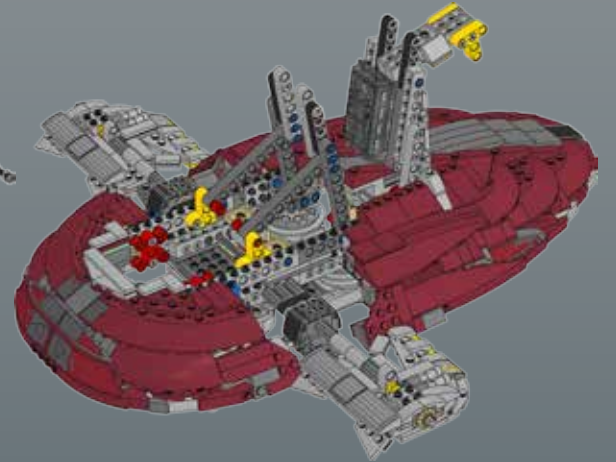
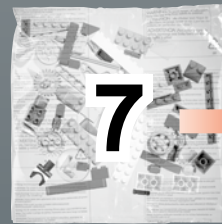
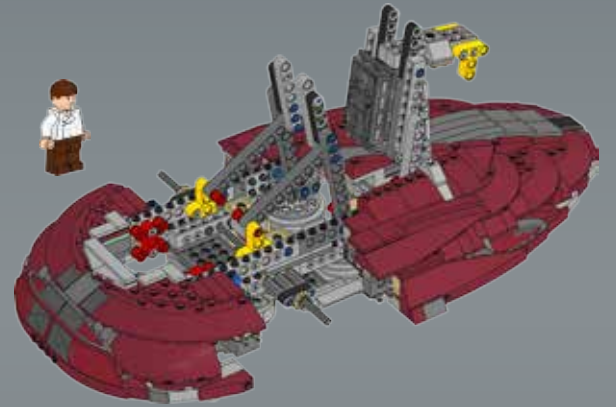
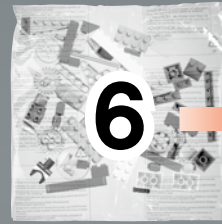
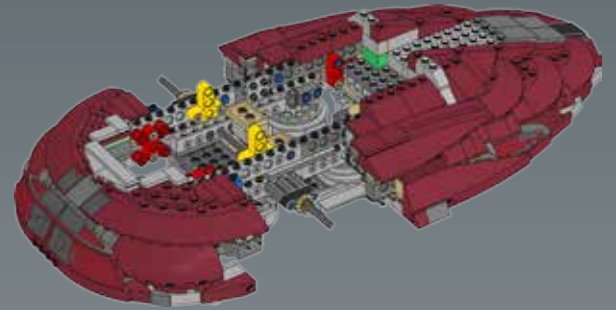
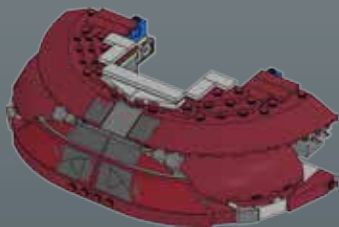
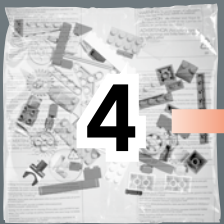
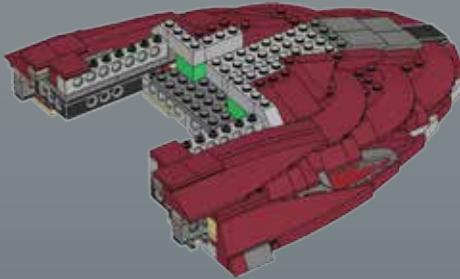
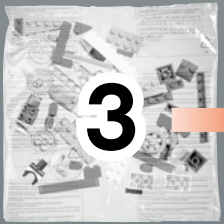
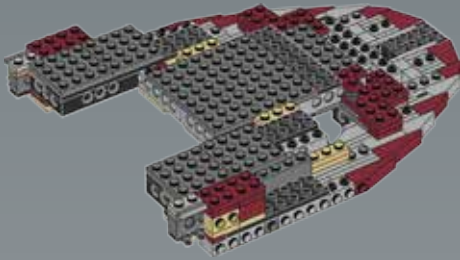
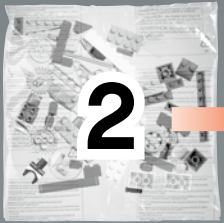
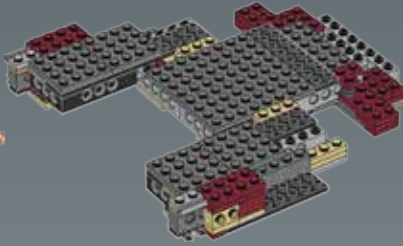
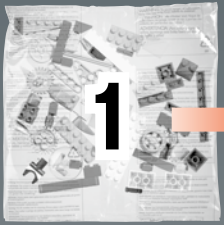
Q: How long did this take to design? How many people worked on designing it?

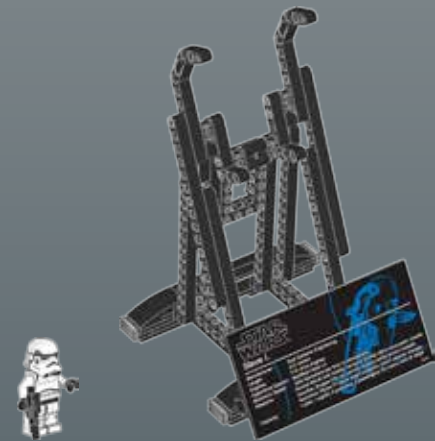
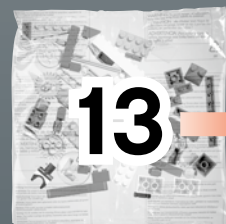
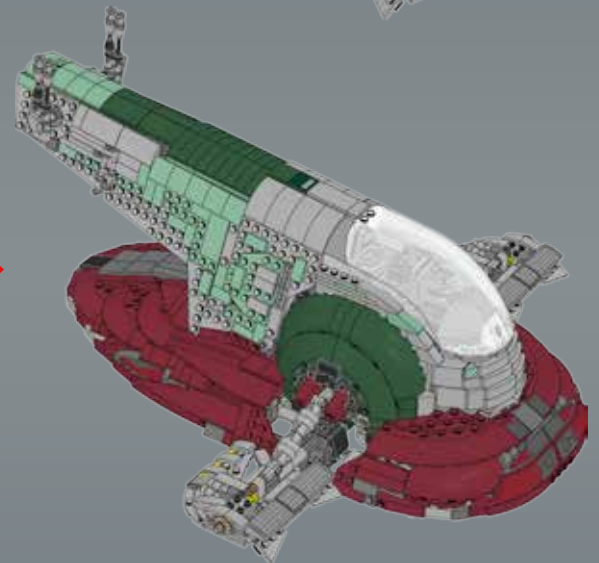
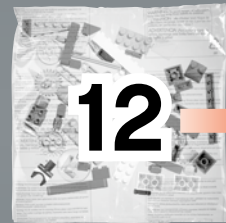
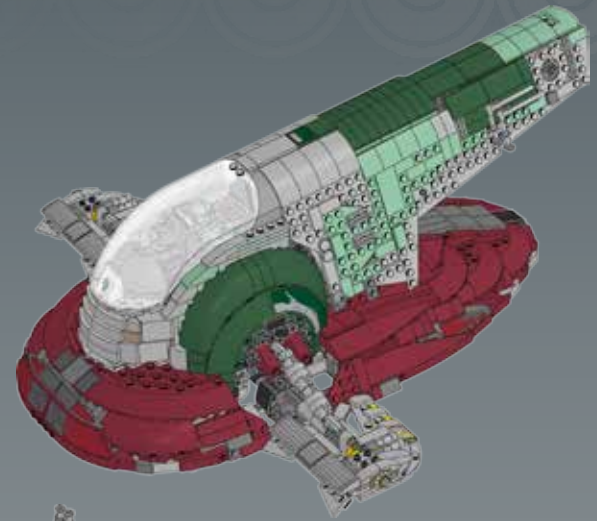
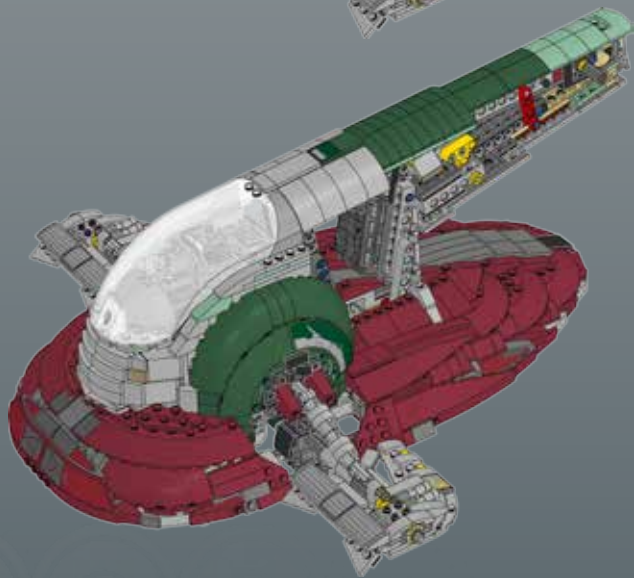
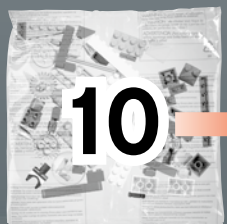
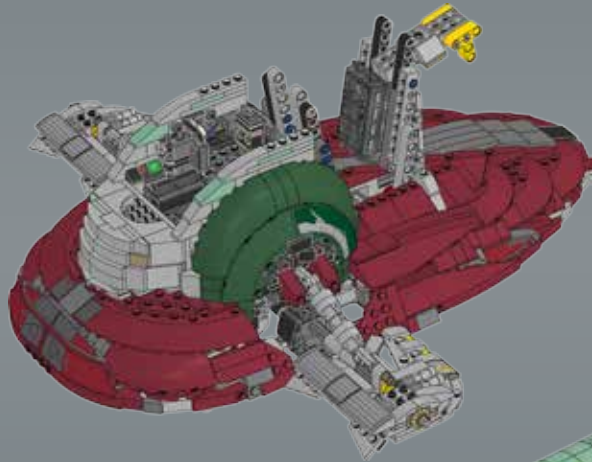
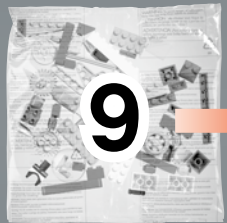
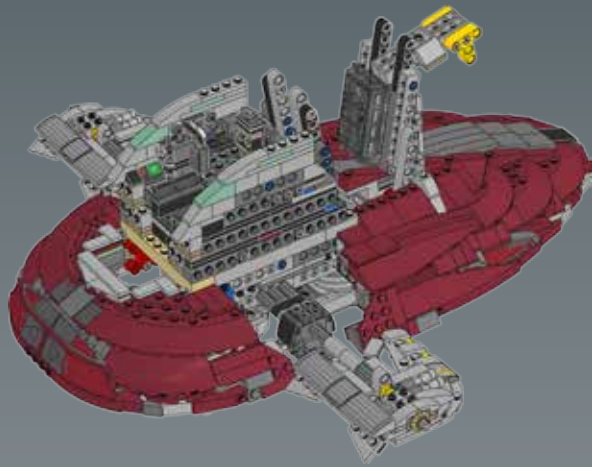
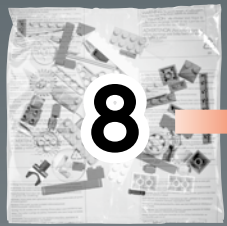
A: I needed a week from the first draft in LEGO Digital Designer to the first brick-built copy. Then it took almost three months, until the final model review, to create this set. I was the only designer assigned to this task, but of course I had plenty of assistance from colleagues. My technical coach, Anders G. Christensen, especially had a hand in optimising the internal structure of the ship.

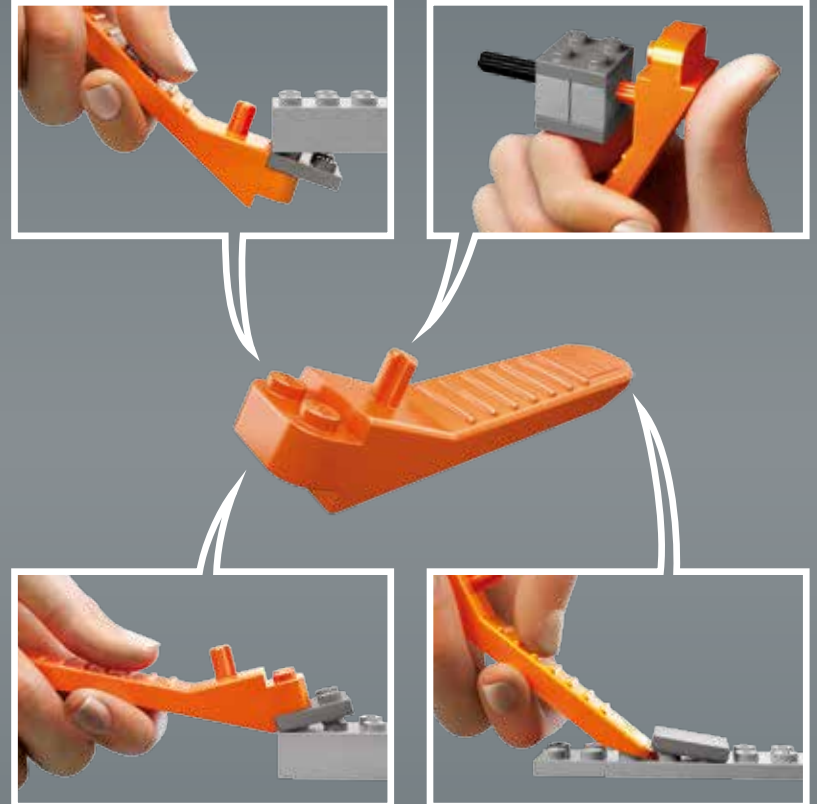
Q: What are you most proud of on this model?

A: Of course I am most proud of having been chosen to design the whole set in the first place. I'm a huge *Star Wars* fan, and the *Slave I* is an iconic spacecraft - one of the remaining few that haven't been produced as a LEGO collector's edition already. Having been able to create the next addition to my sizeable collection of LEGO *Star Wars* sets myself feels great!

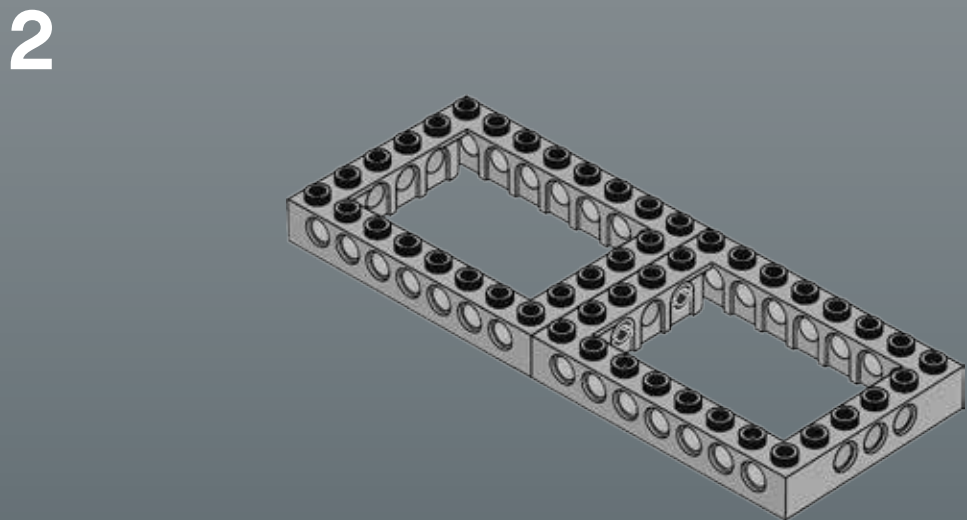
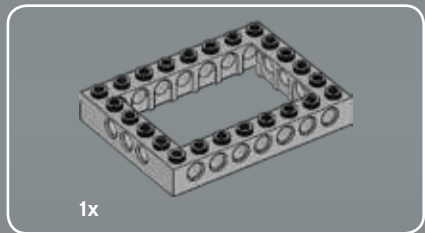
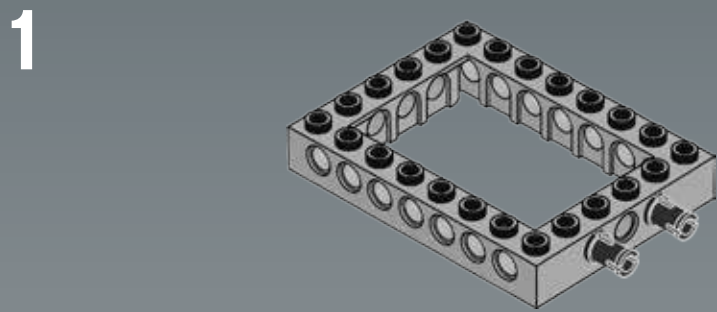
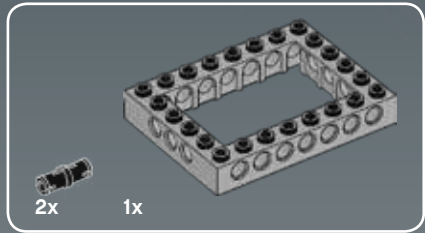
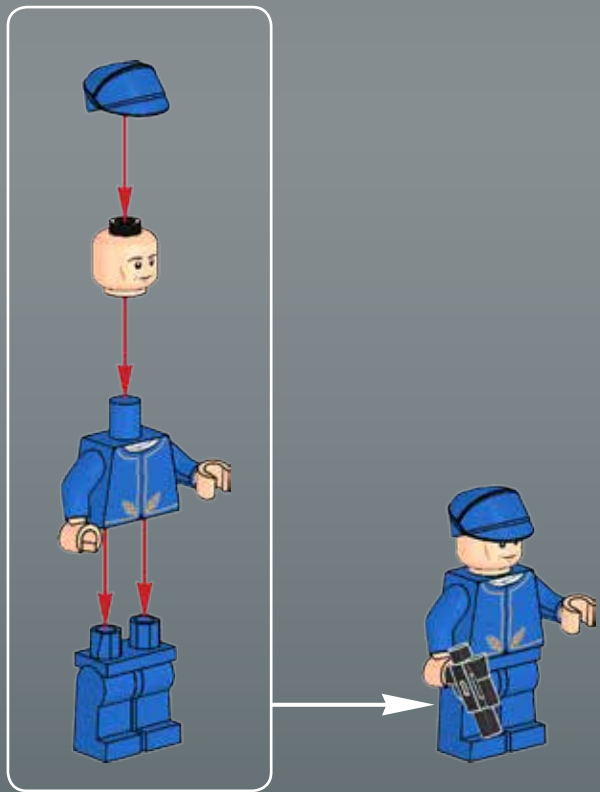
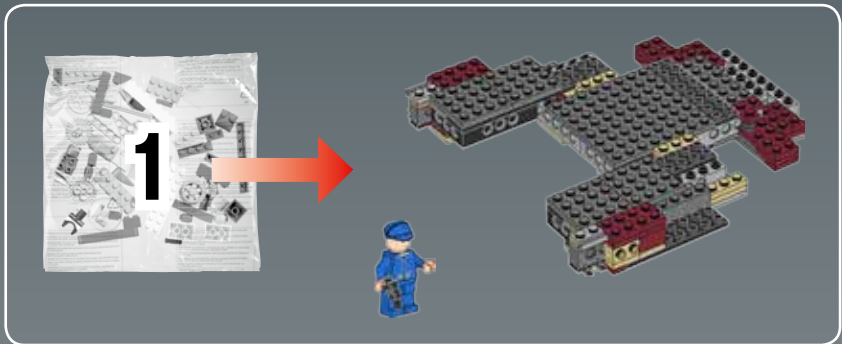








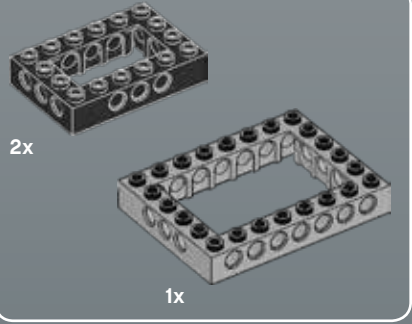
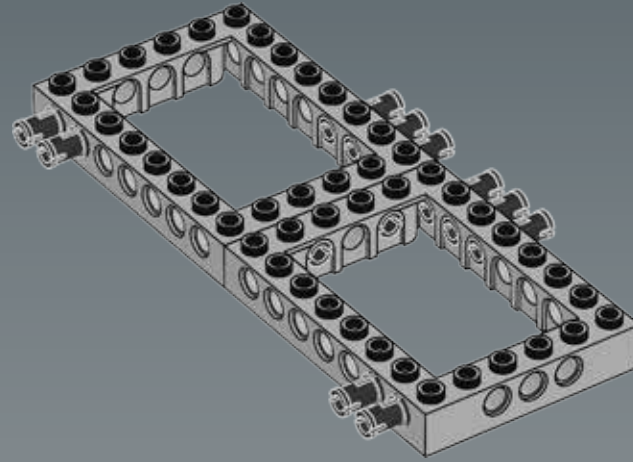
LEGO.com/brickseparator



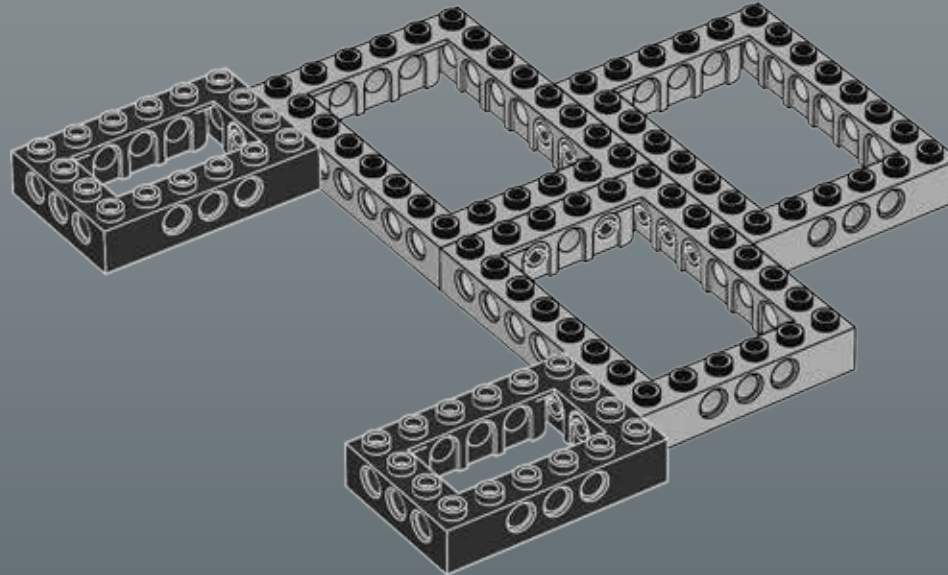


10x

3

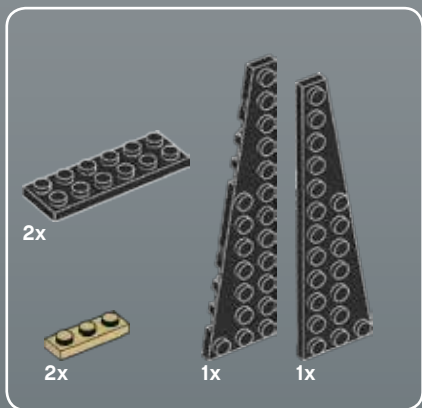
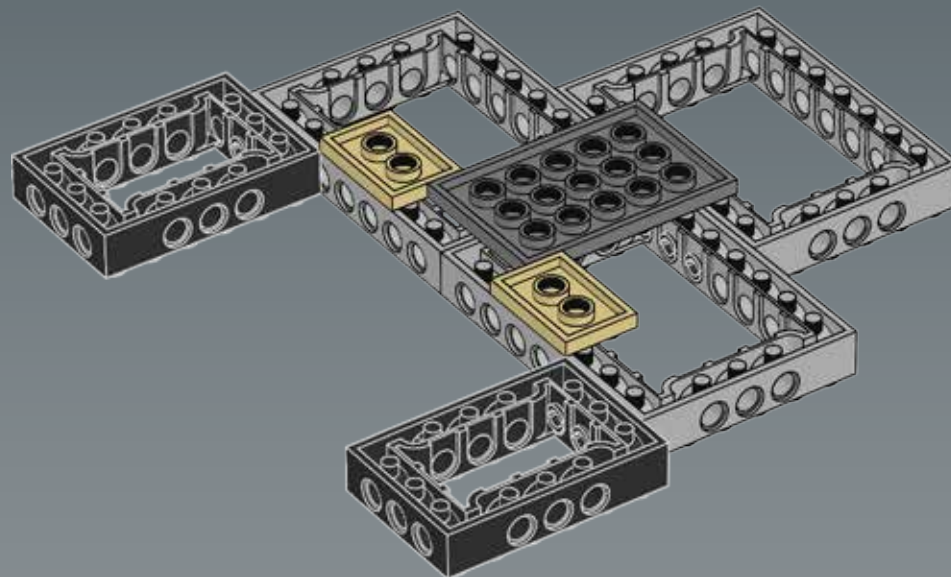


4

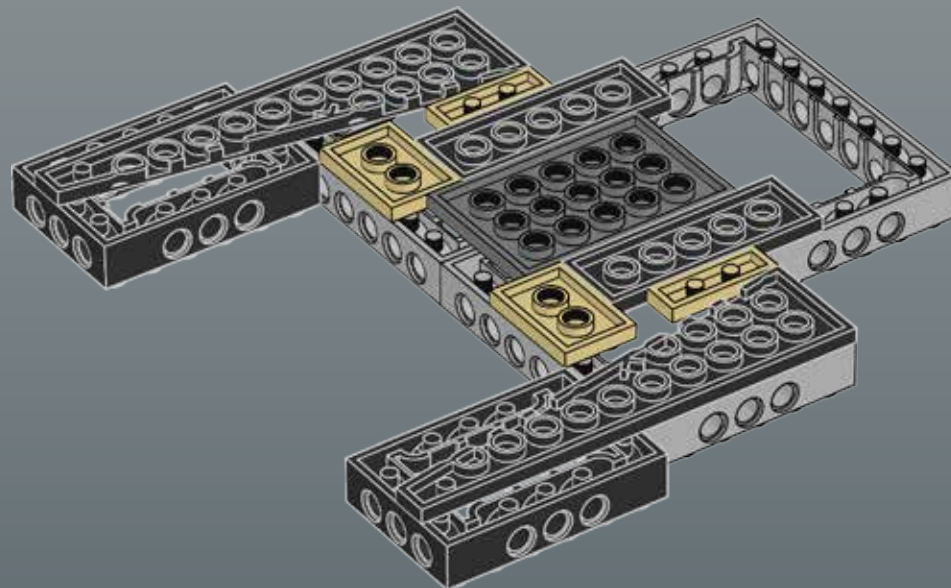




5

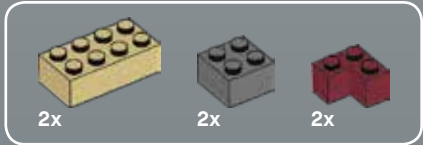
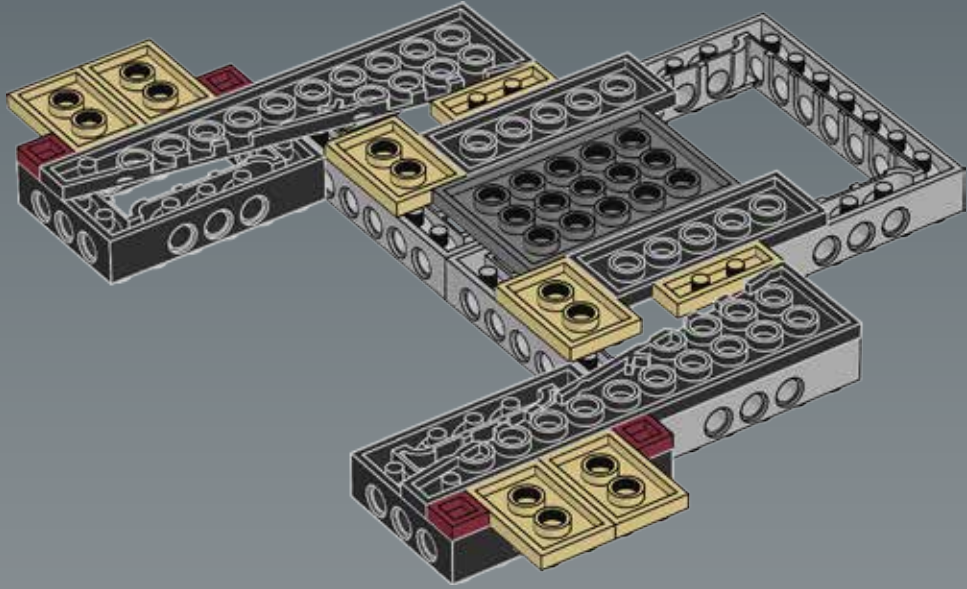


6

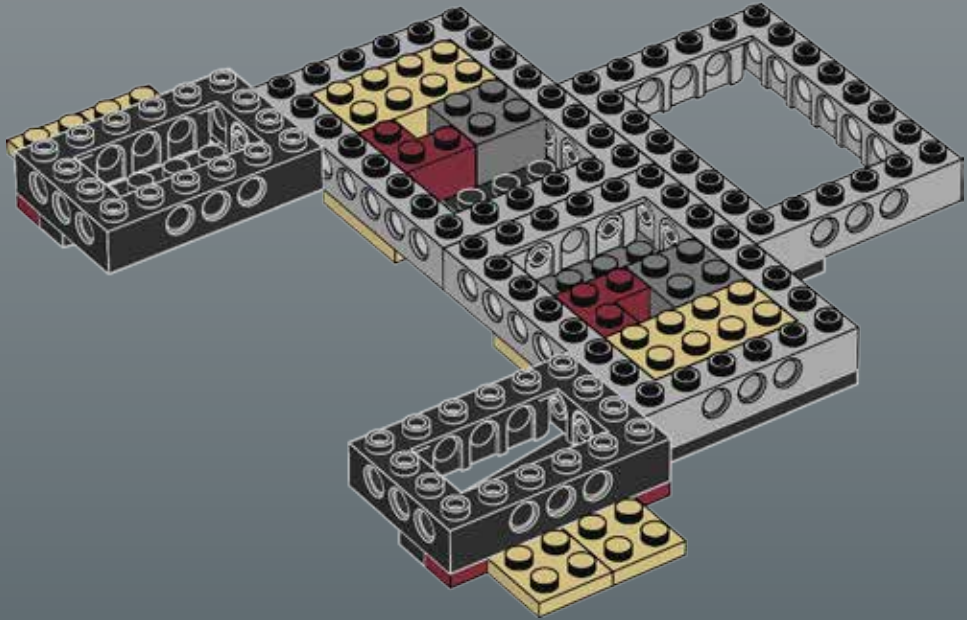


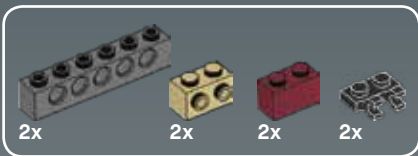


7

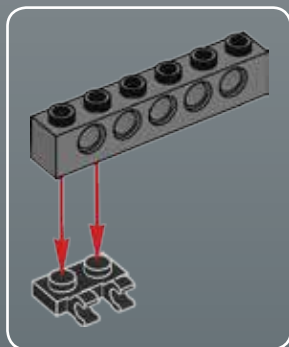
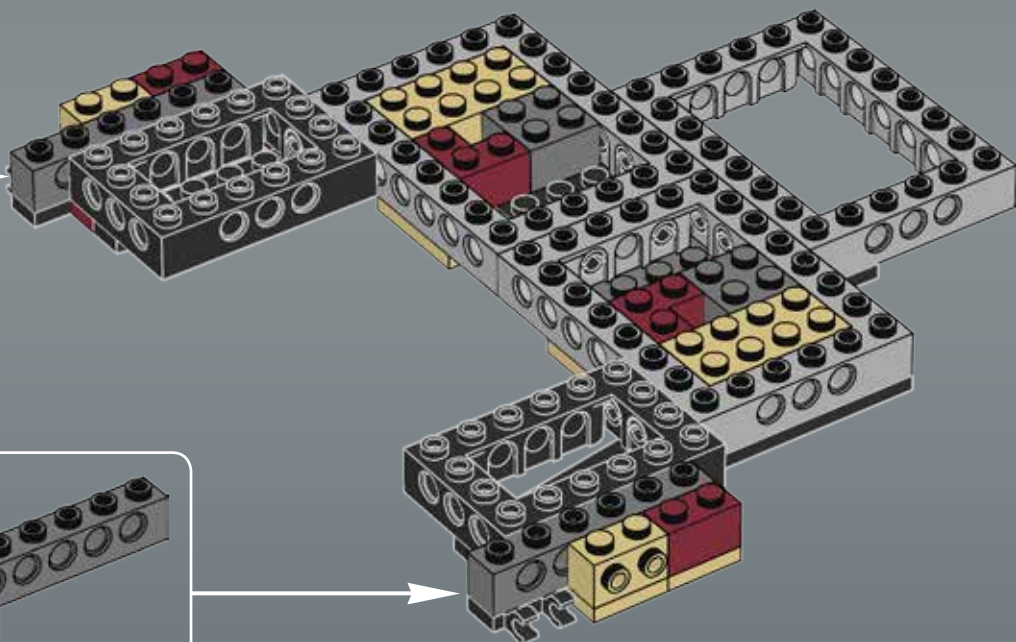
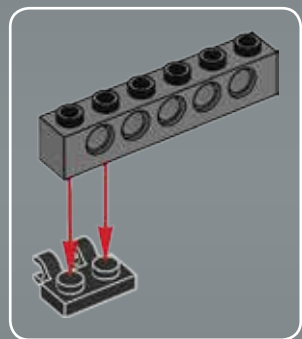


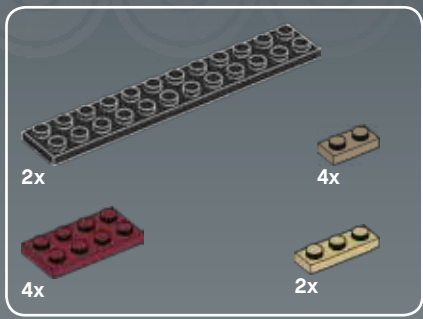
8



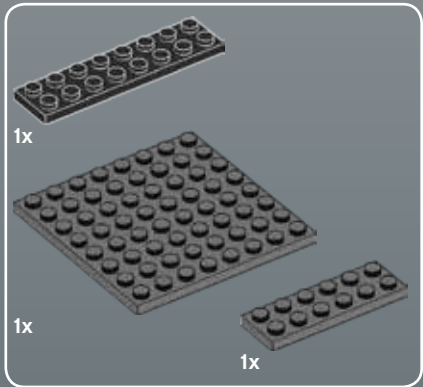
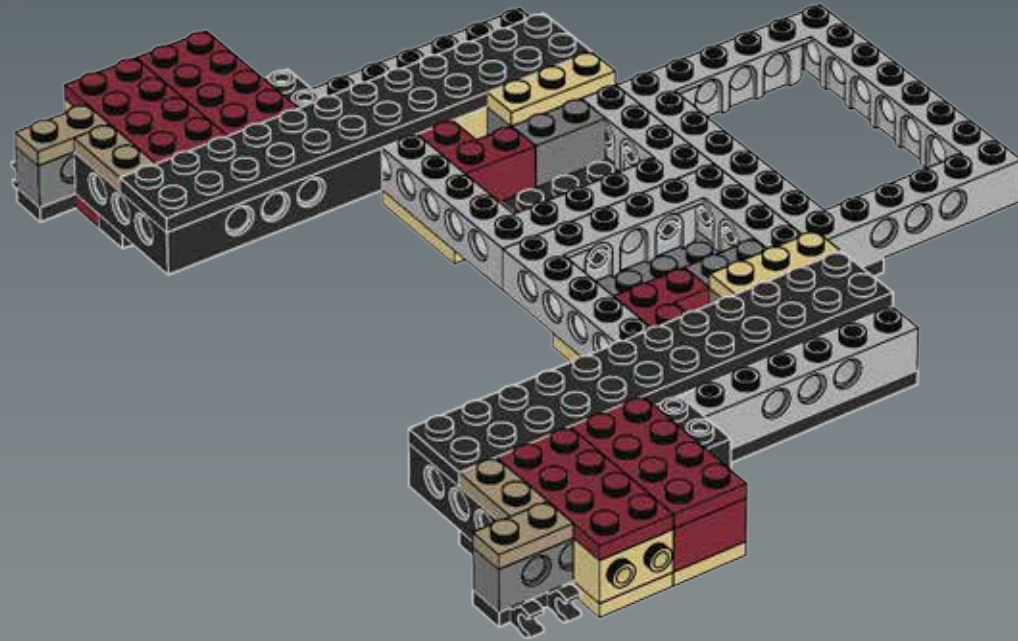


9

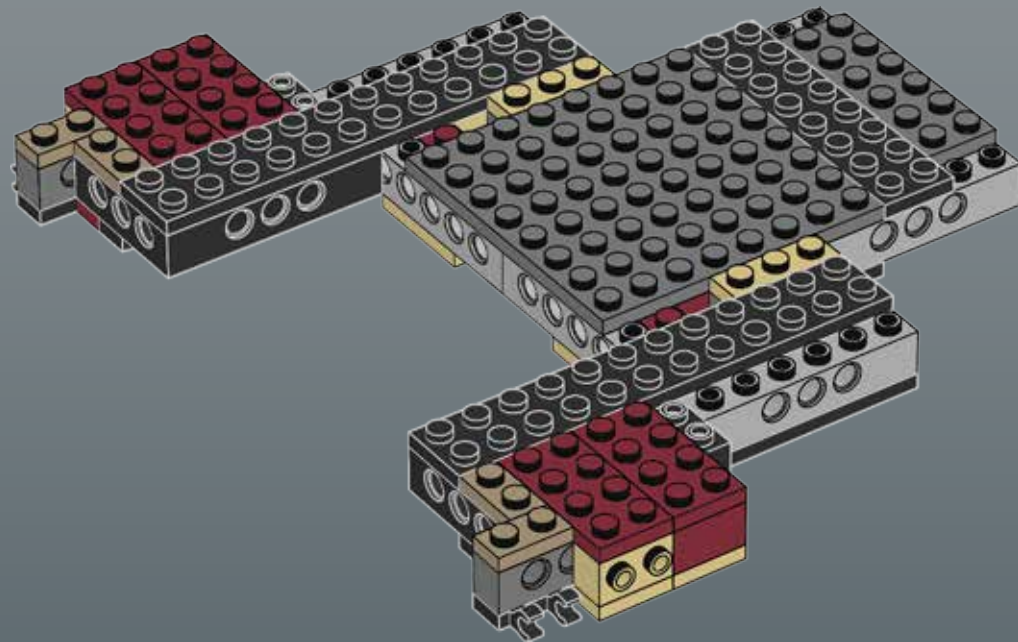


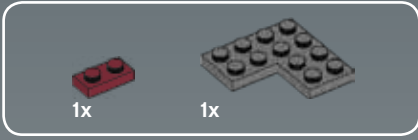


10

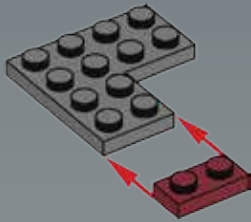


11

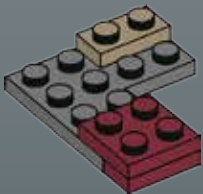




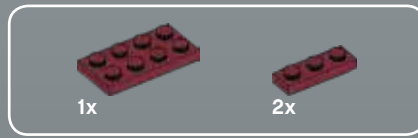
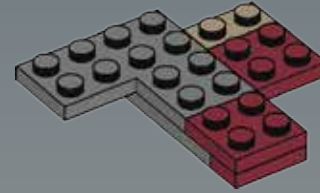
1



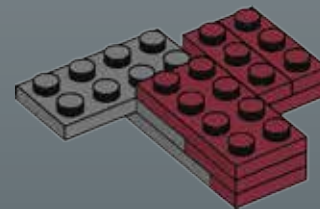
2



3

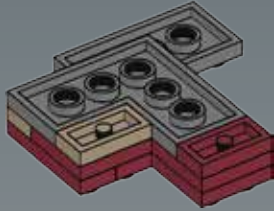


4

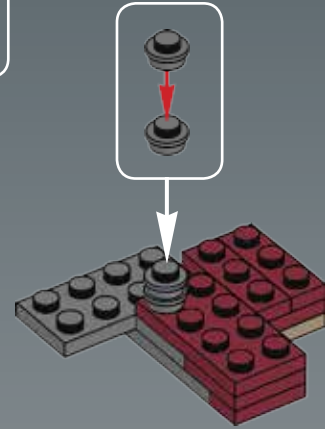




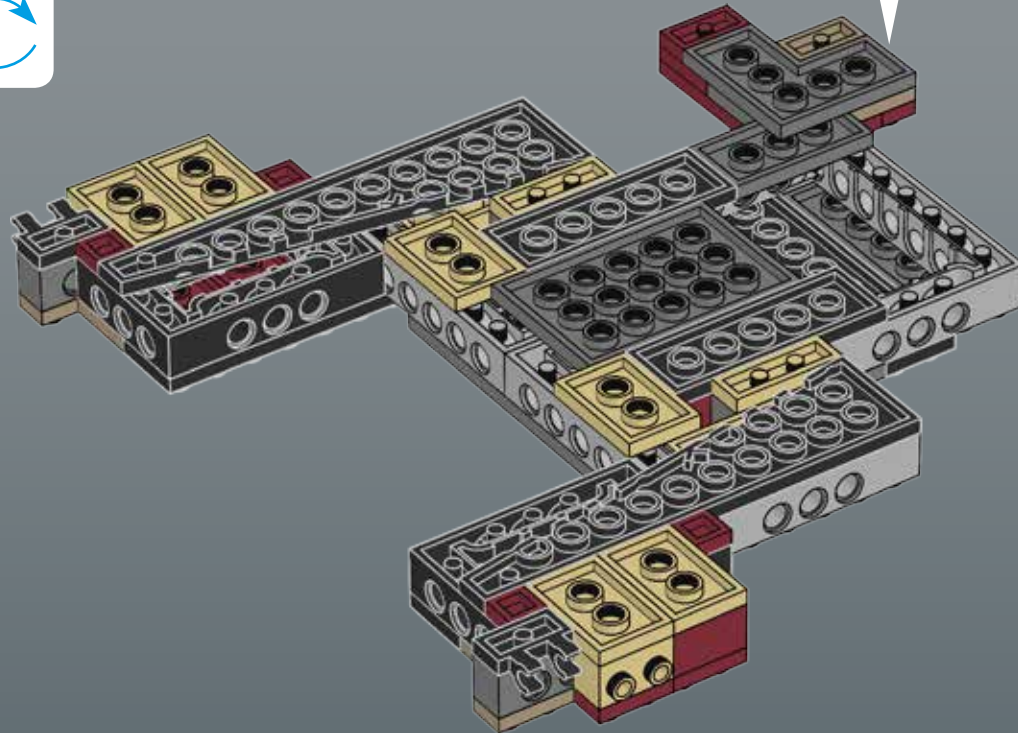
5

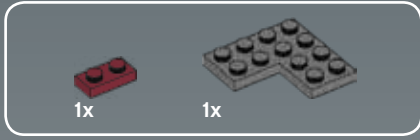


6

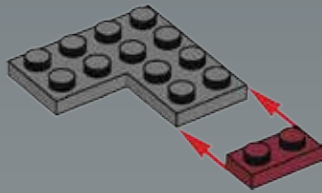


12

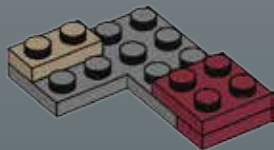




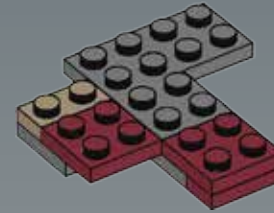
1



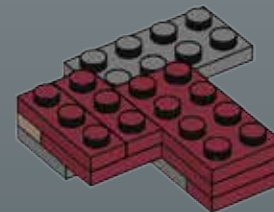
2



3

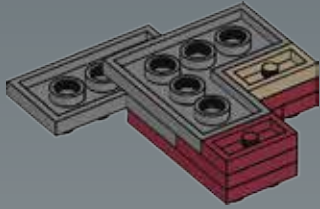


4

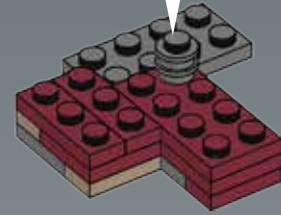
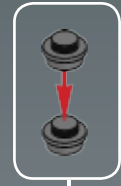




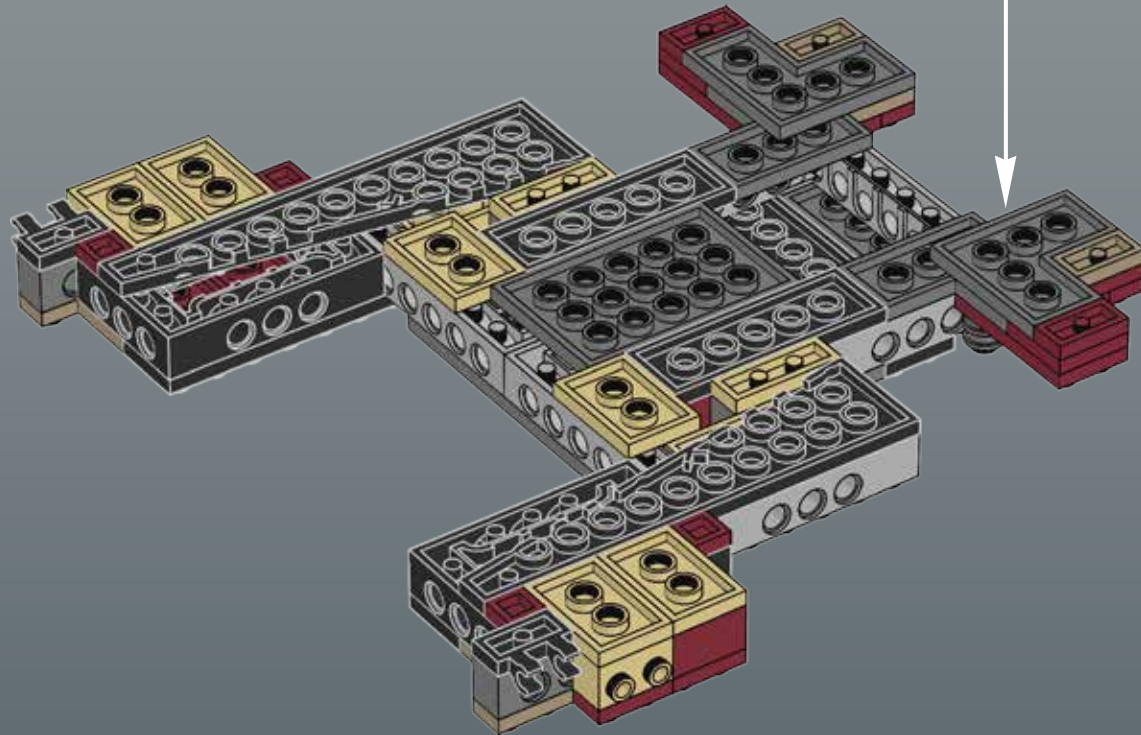
5

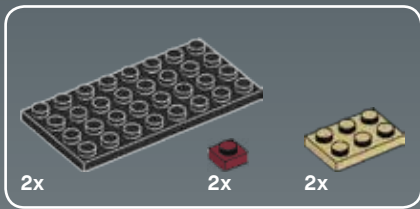


6

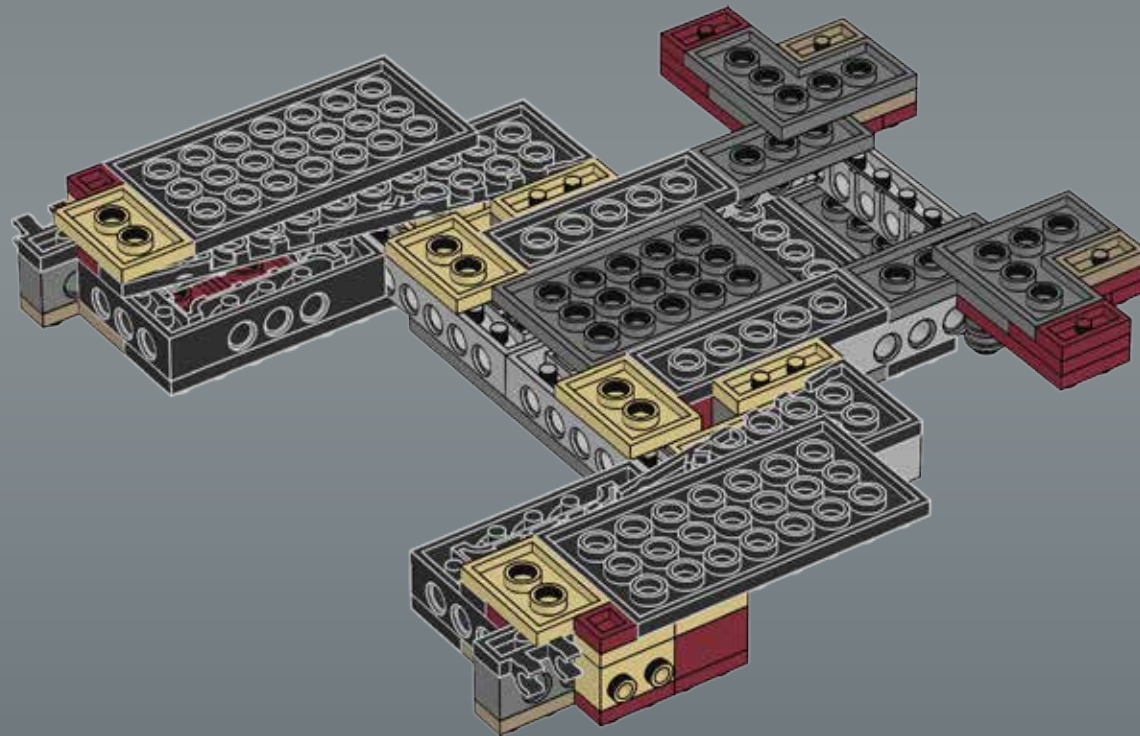


13



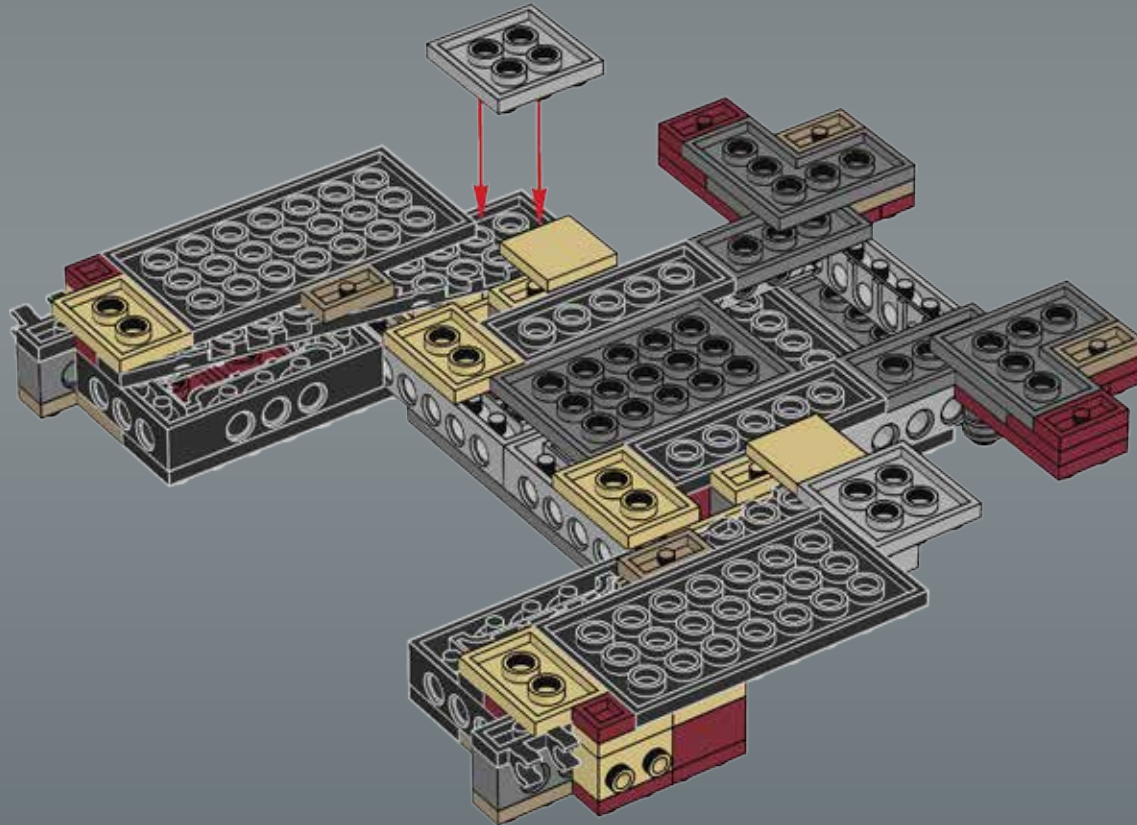


14



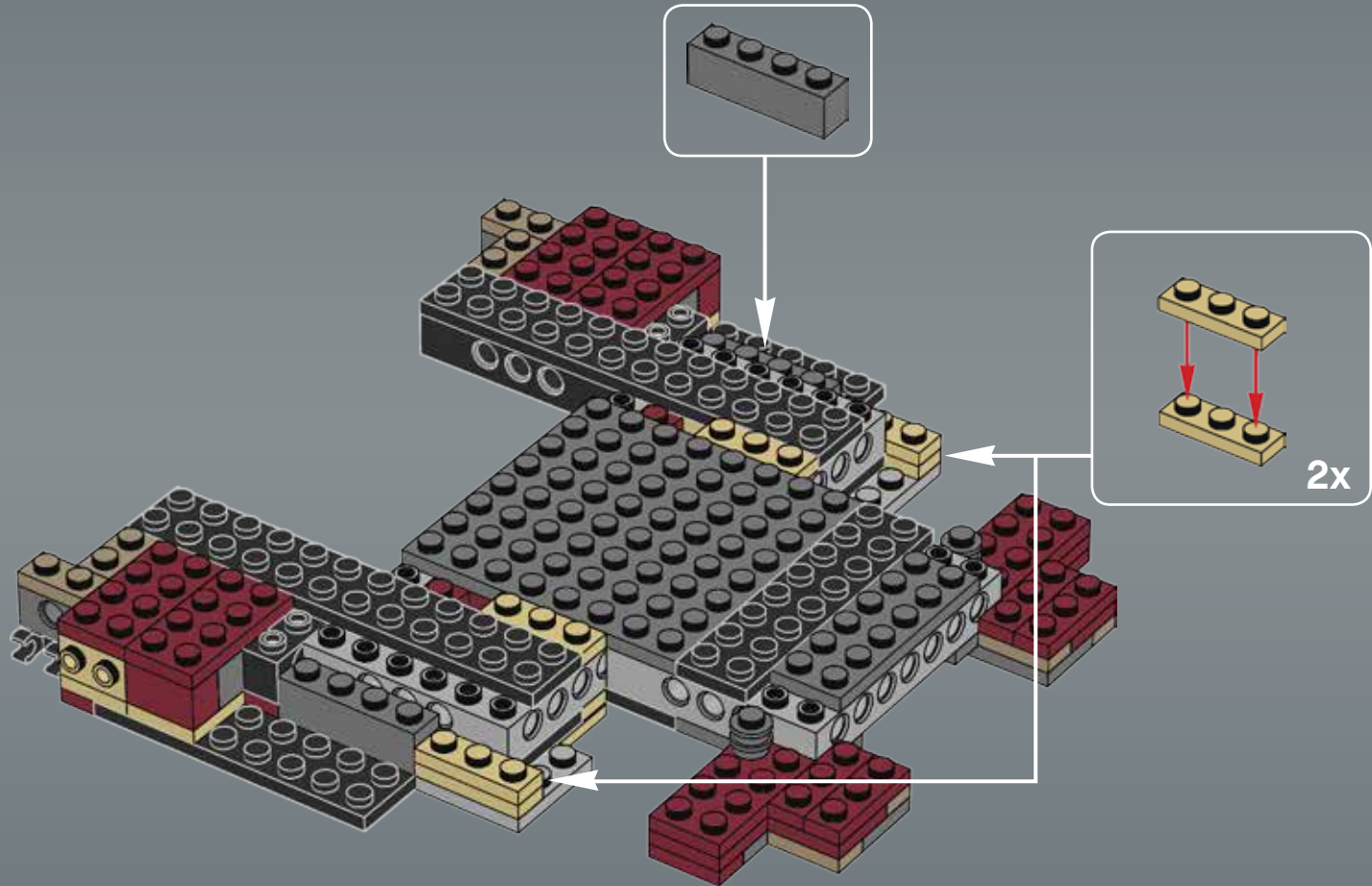


15



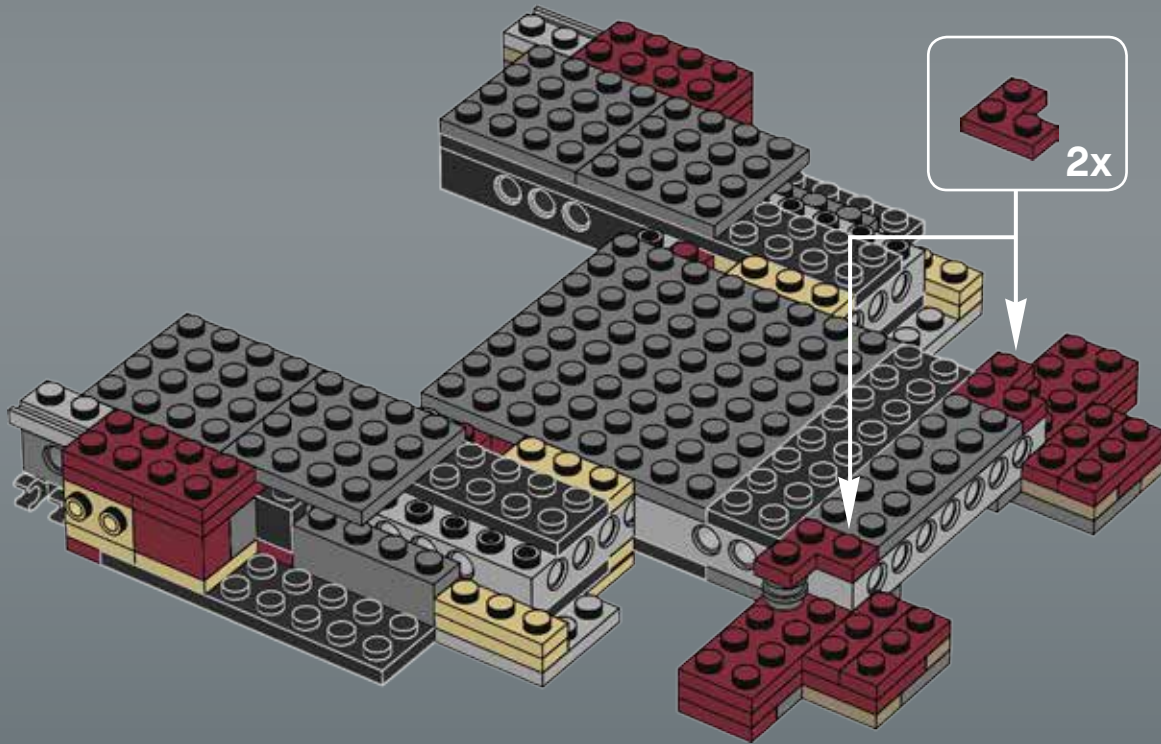


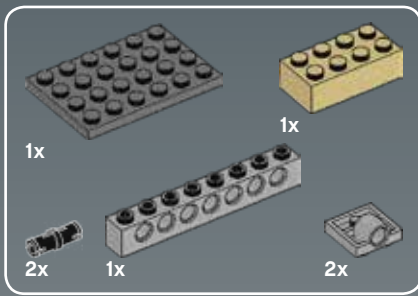
16



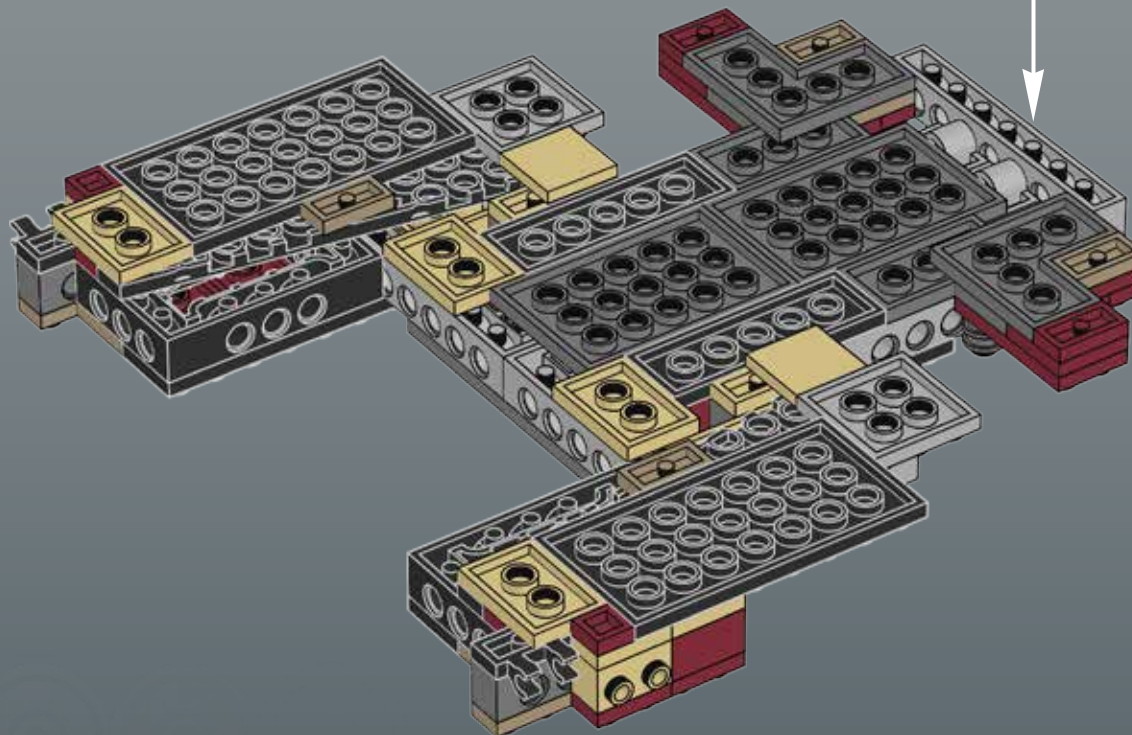
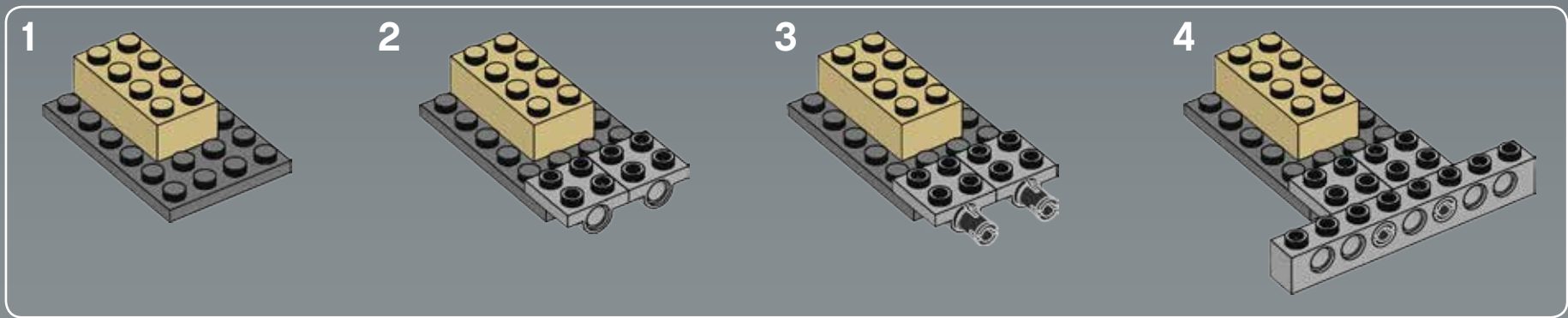


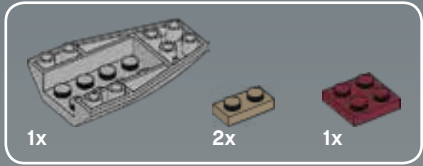
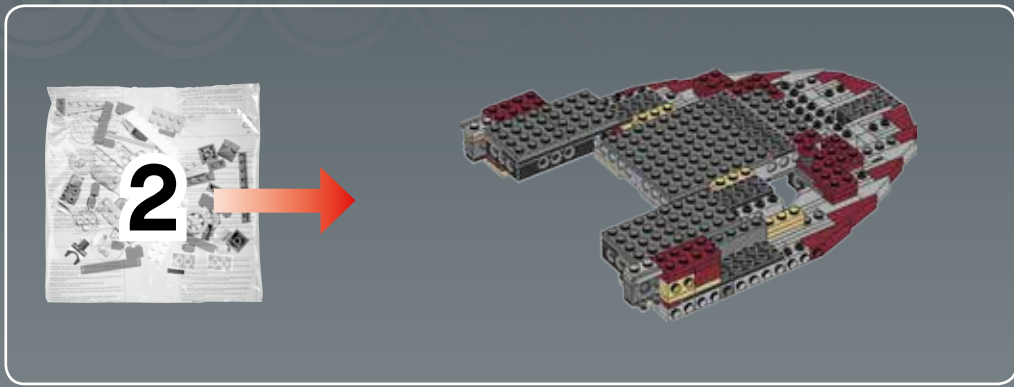
17



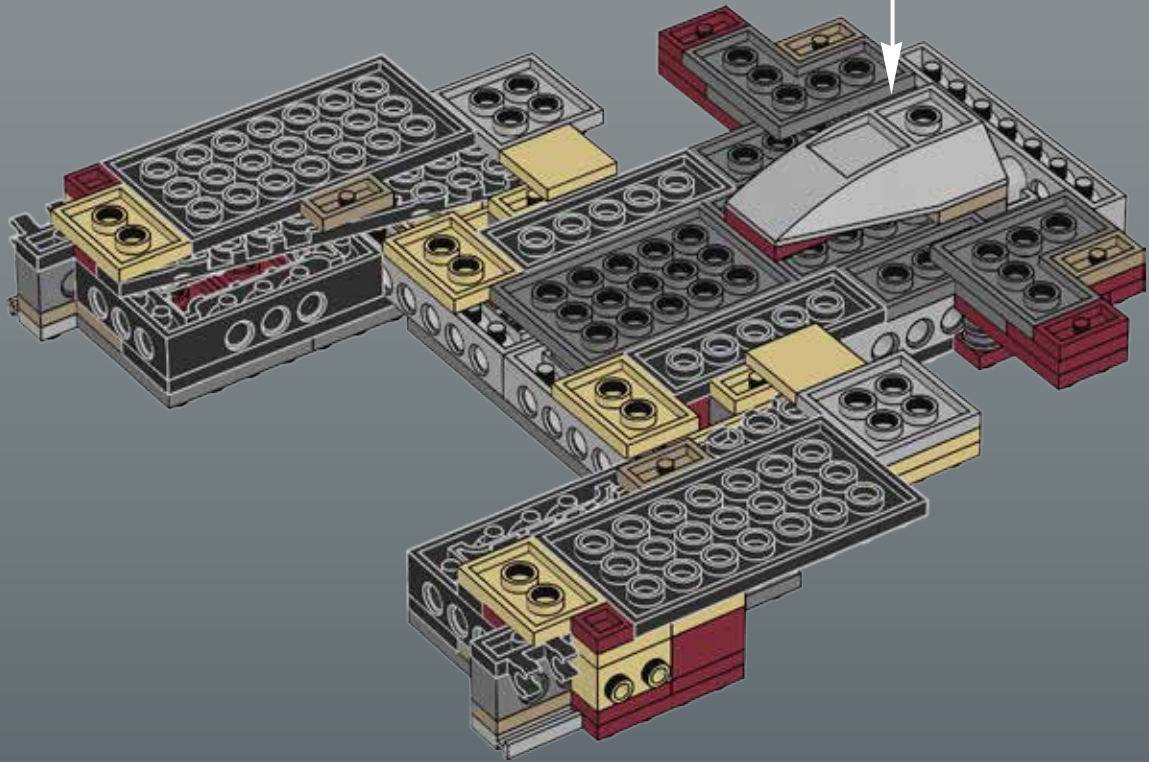
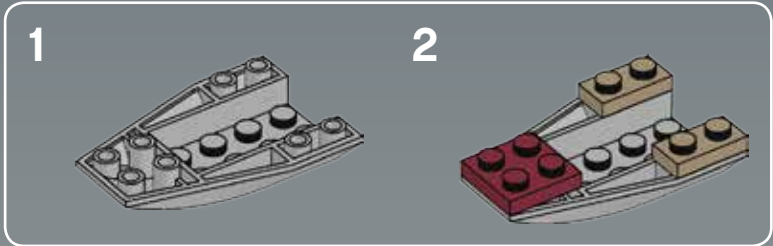


18



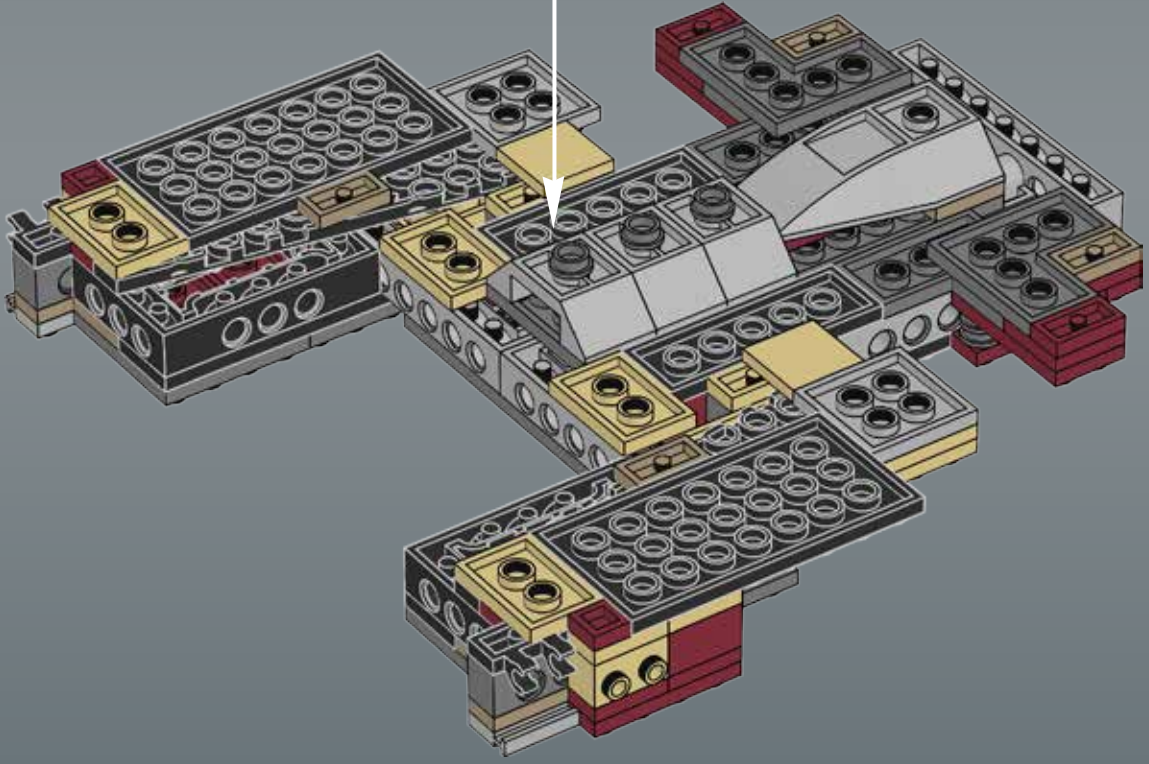
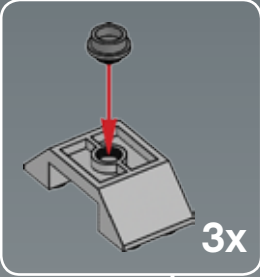


19





20



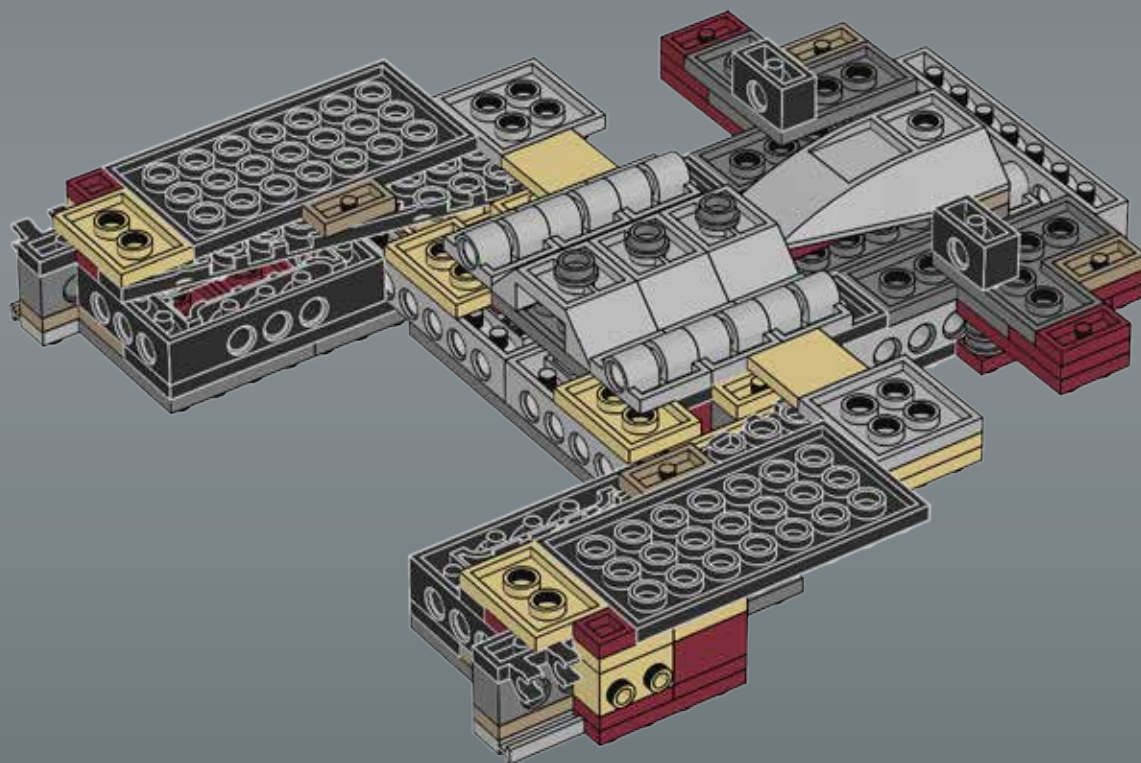


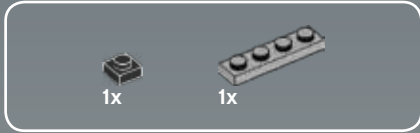
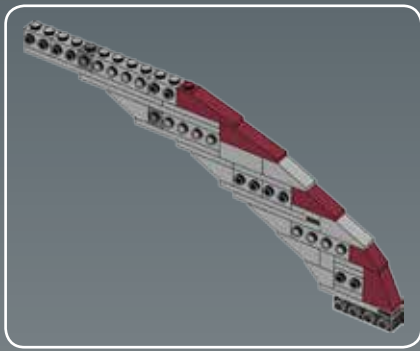
2x



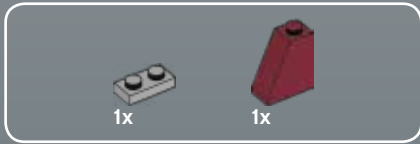
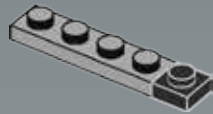
6x

21

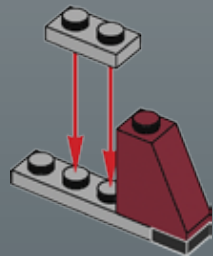




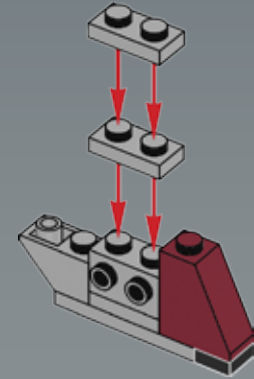
1



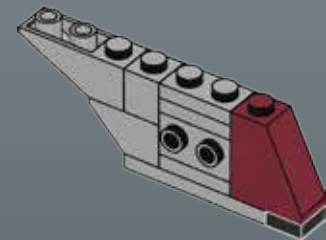
2



3

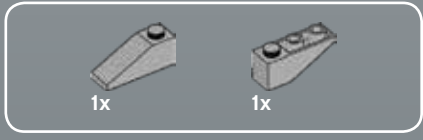
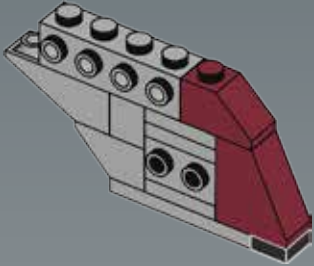


4

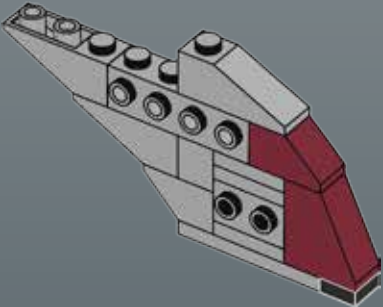


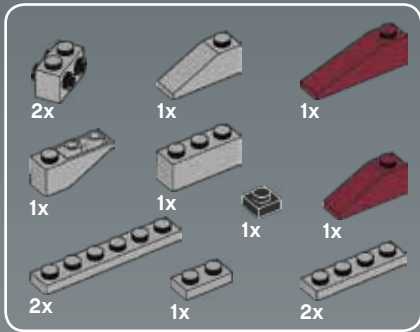
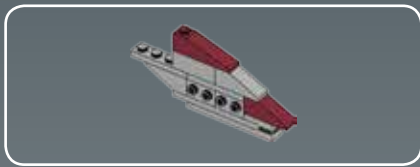


5



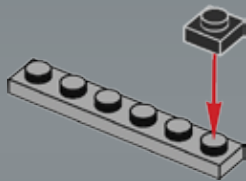
6



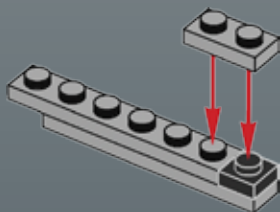


7

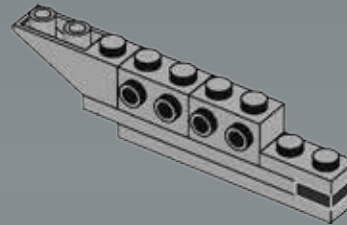
1



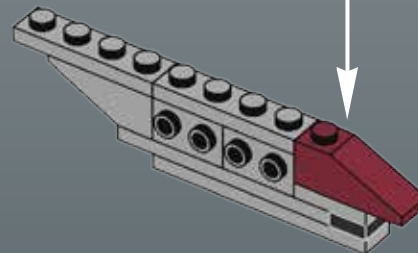
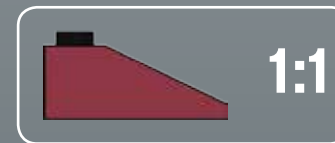
2



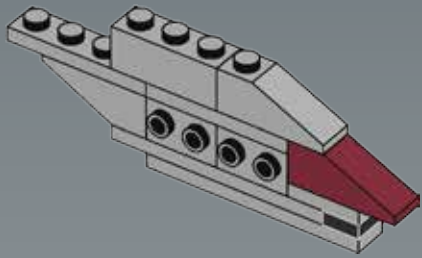
3



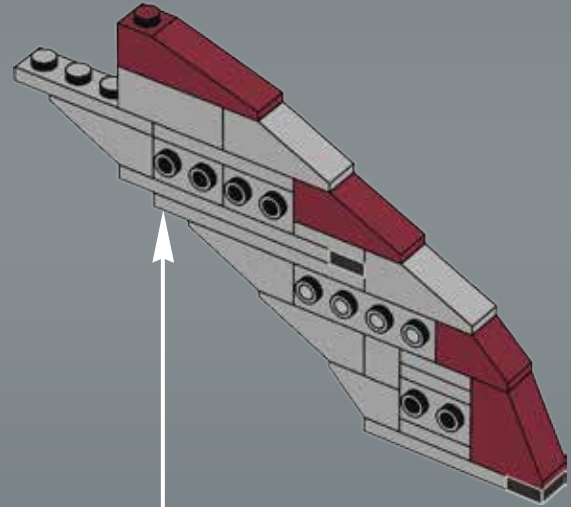
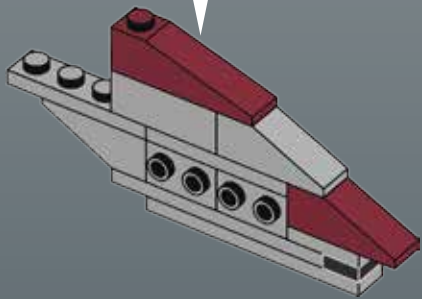
4

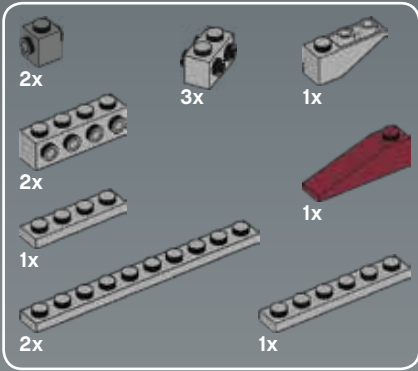
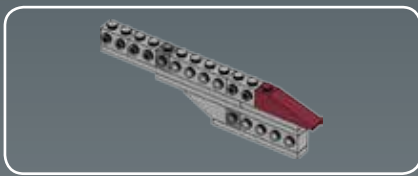


5



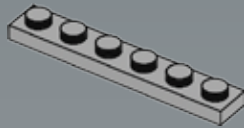
6



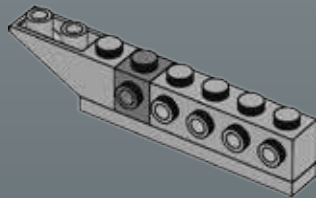


8

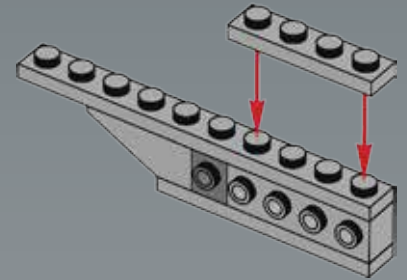
1



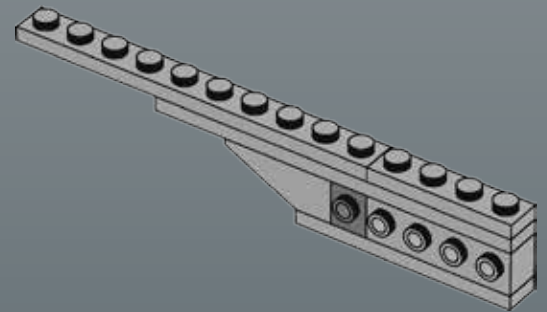
2



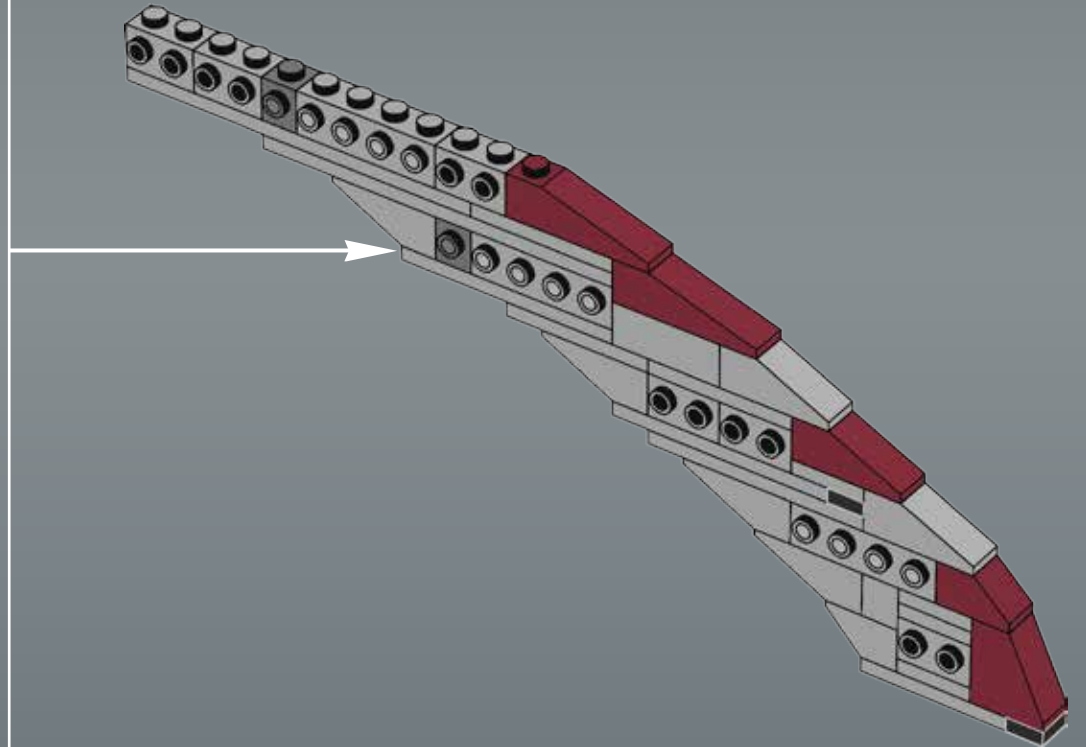
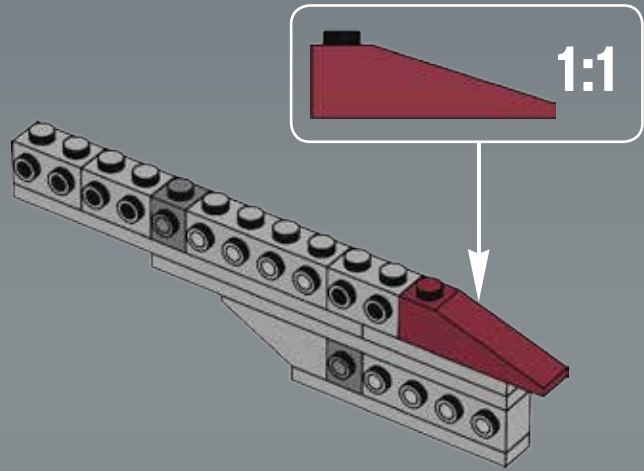
3

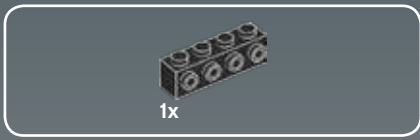


4

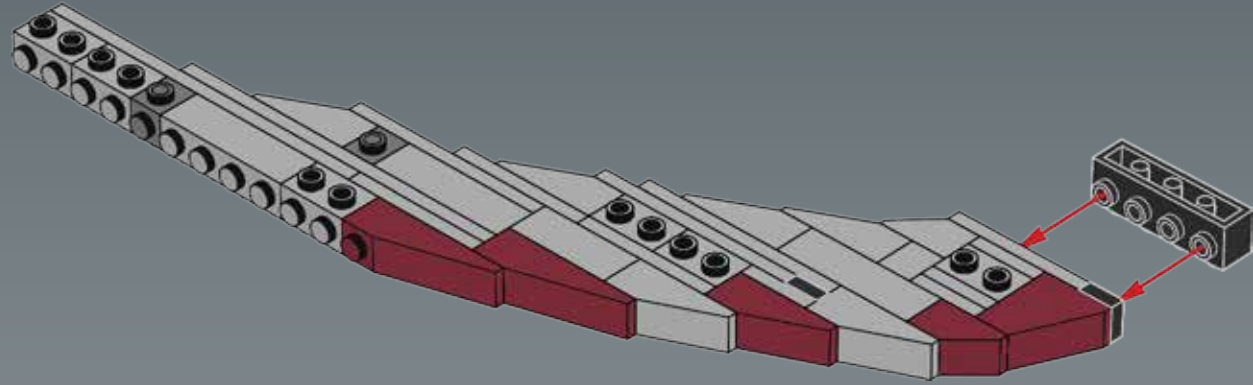


5

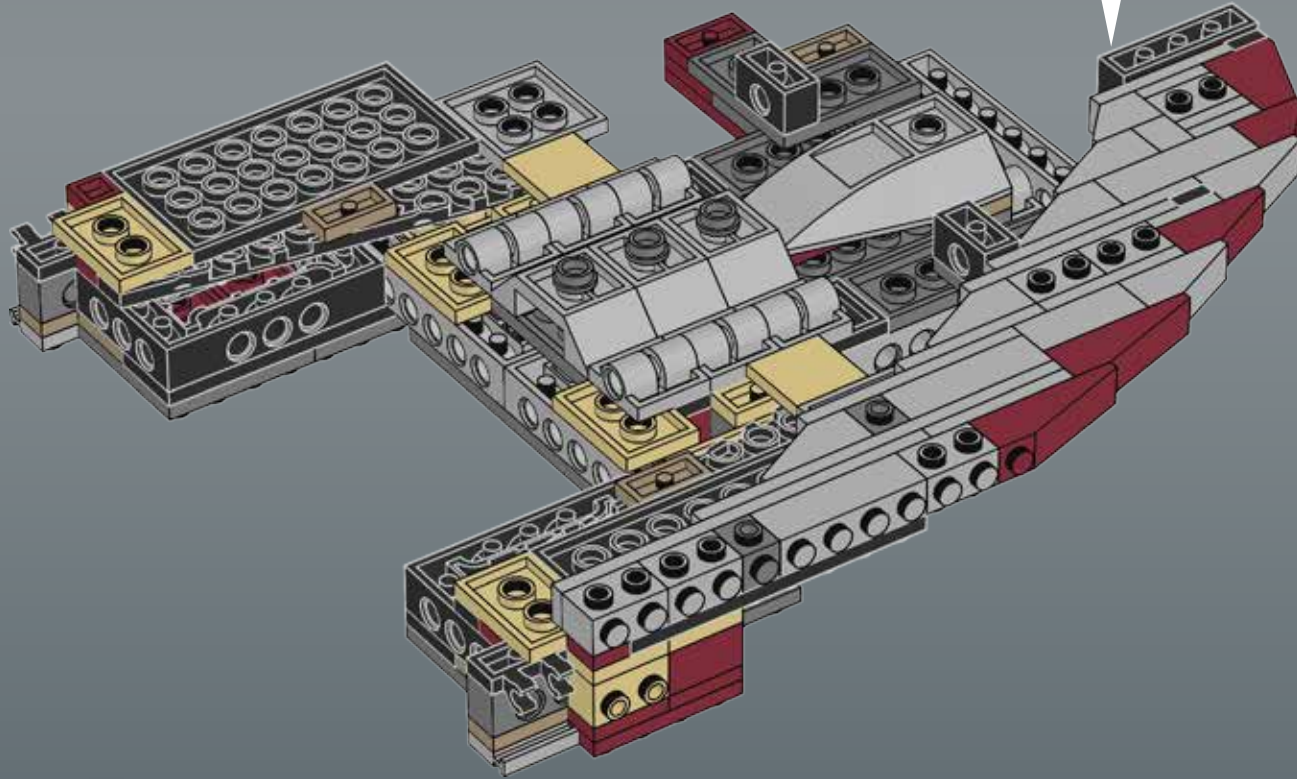


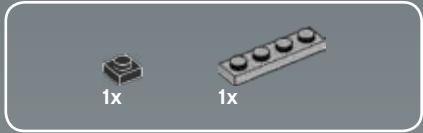
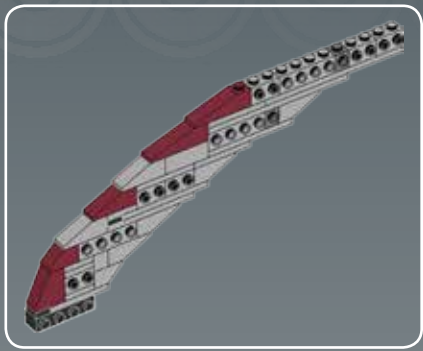


9

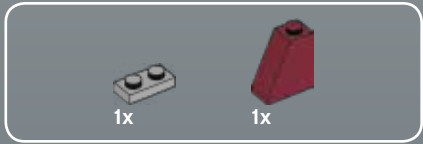


22

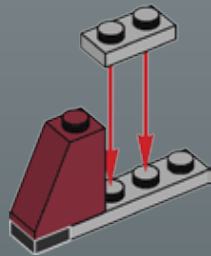




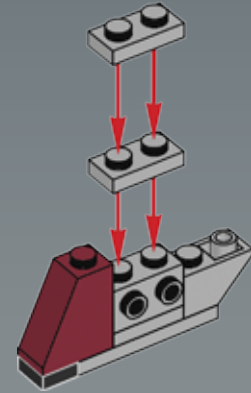
1



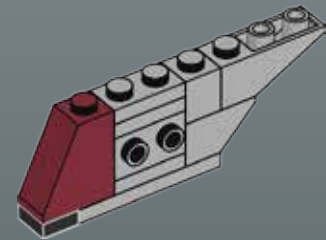
2



3

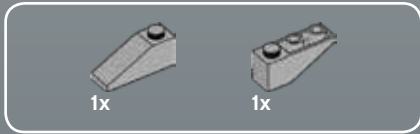
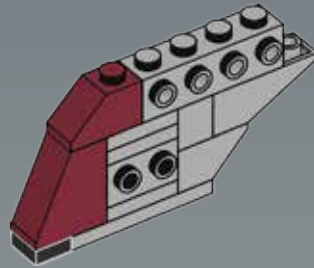


4

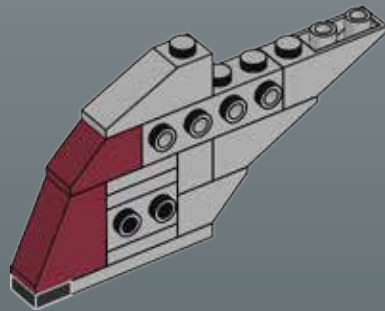


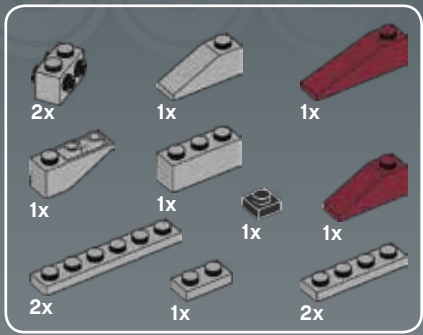


5



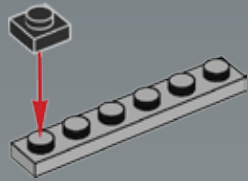
6



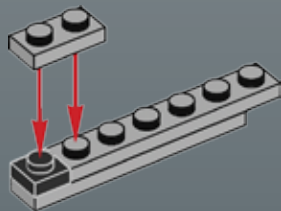


7

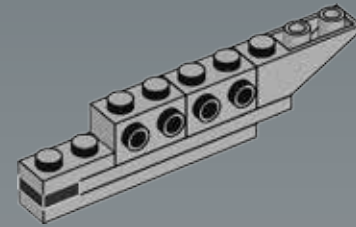
1



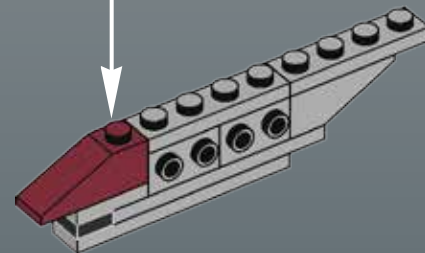
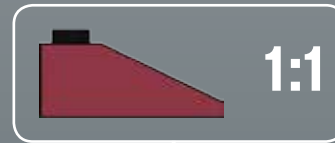
2



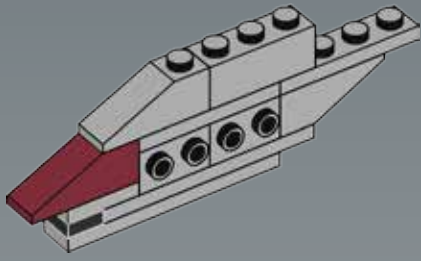
3



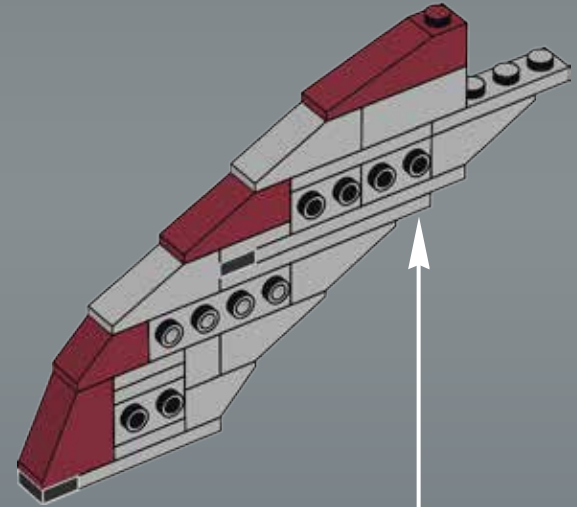
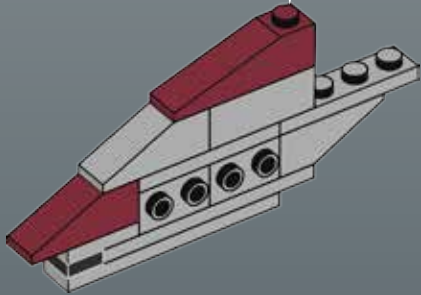
4

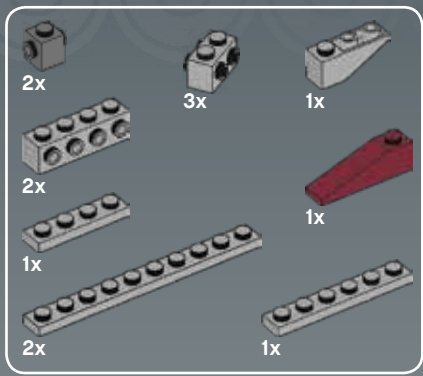


5



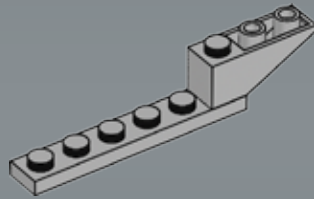
6



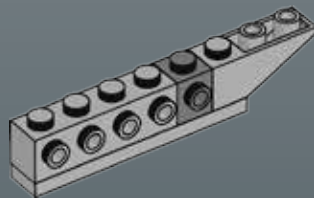


8

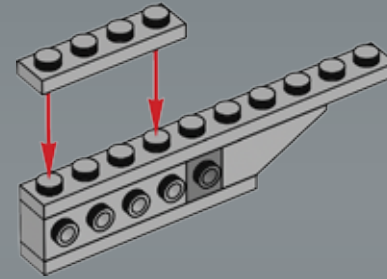
1



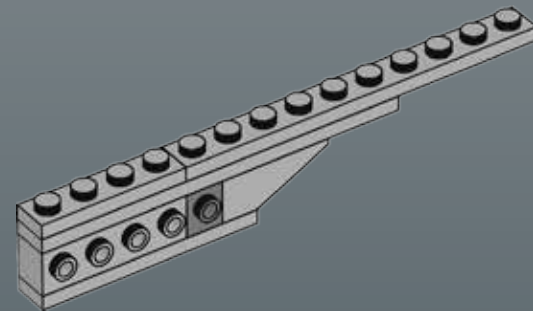
2



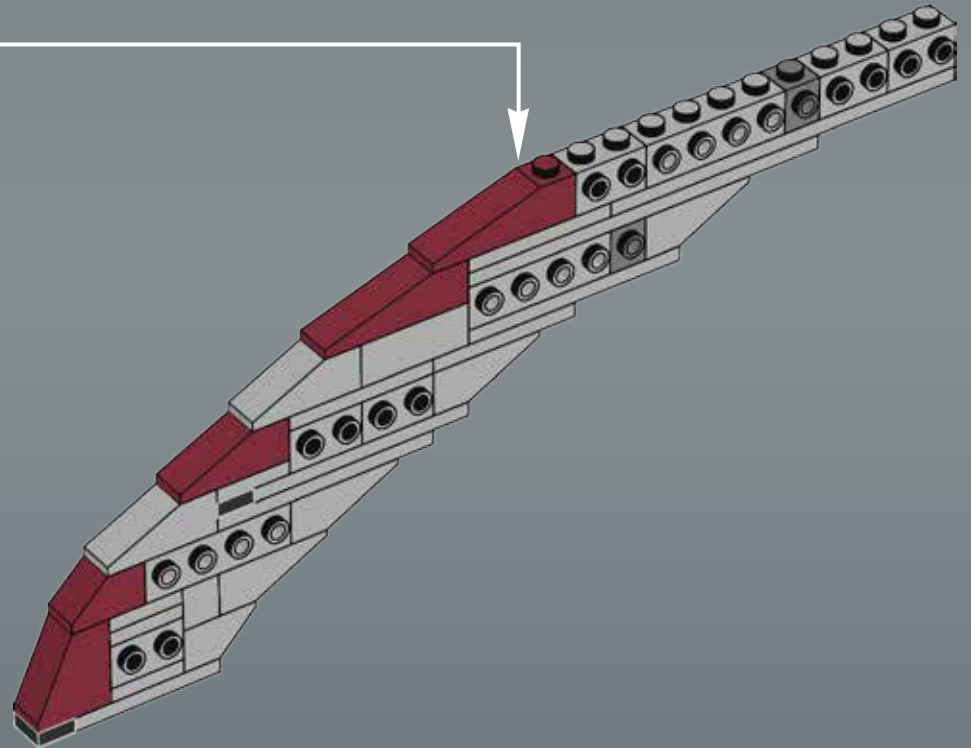
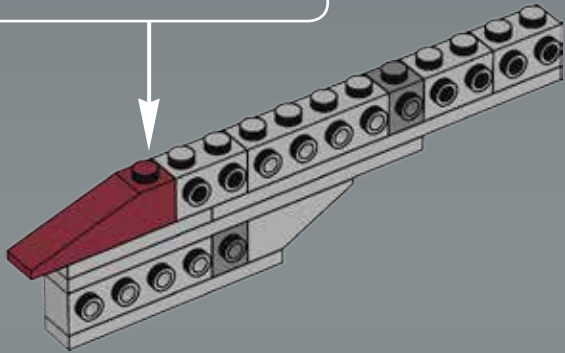
3



4

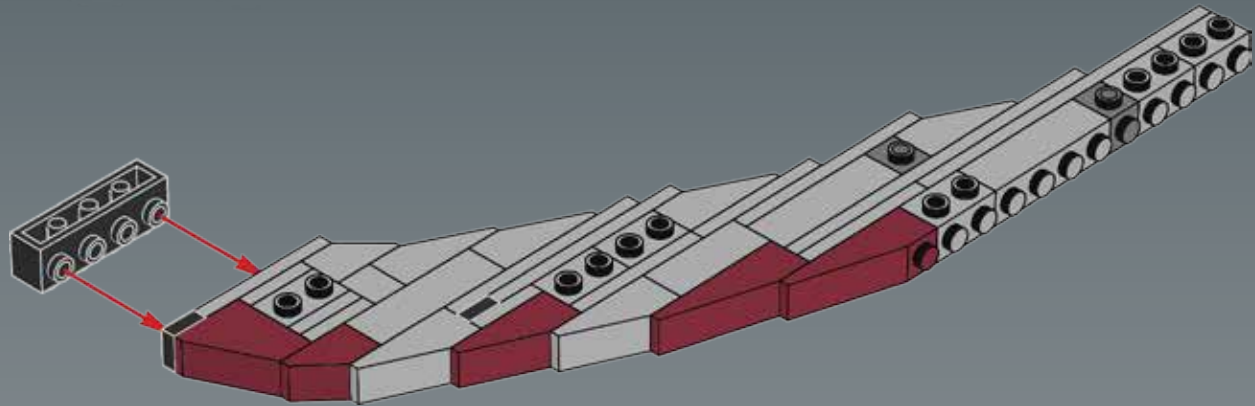


5

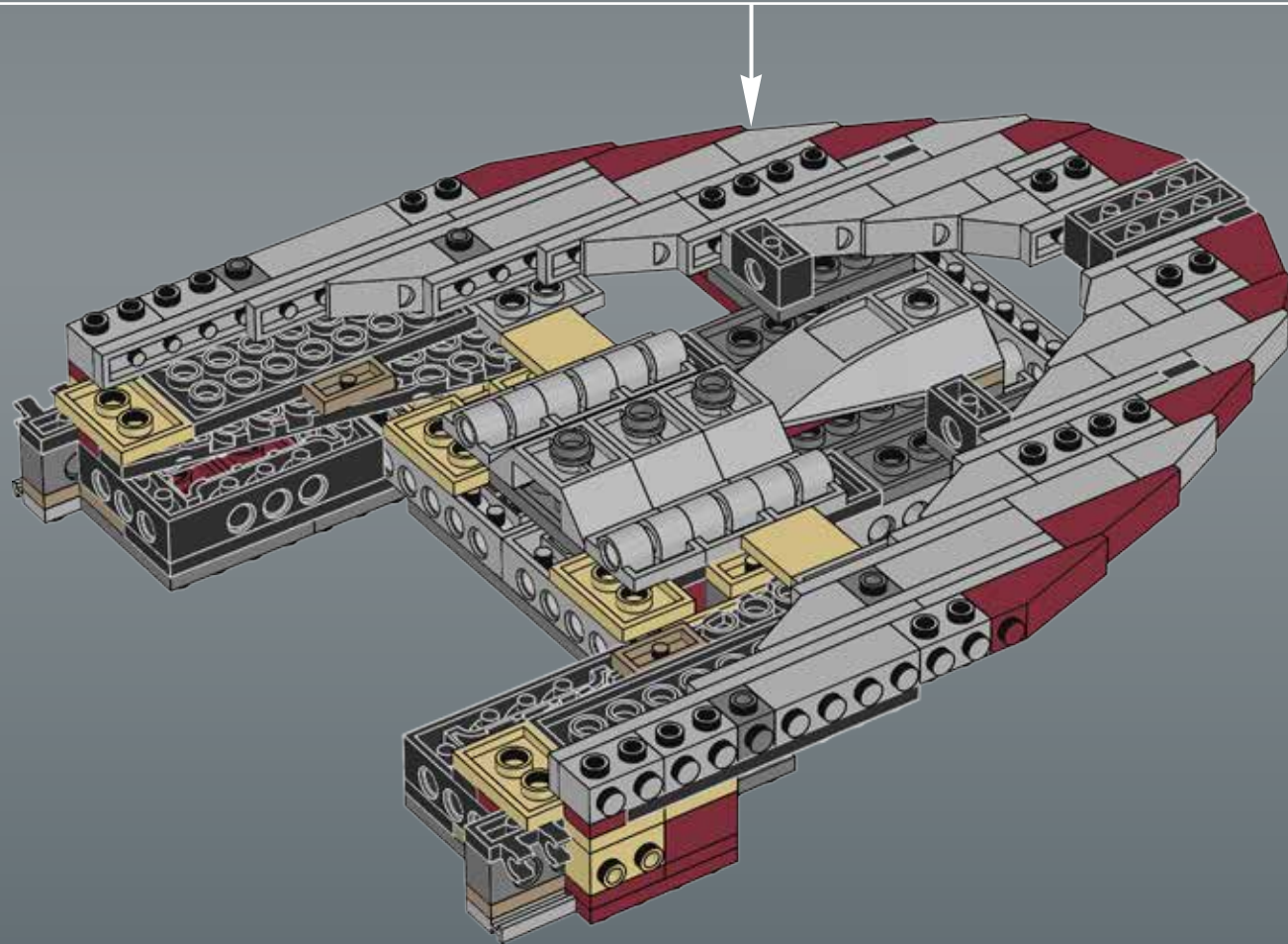


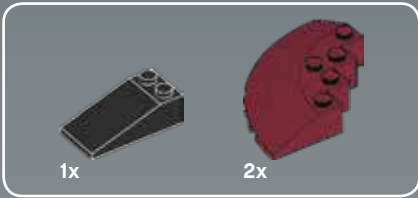
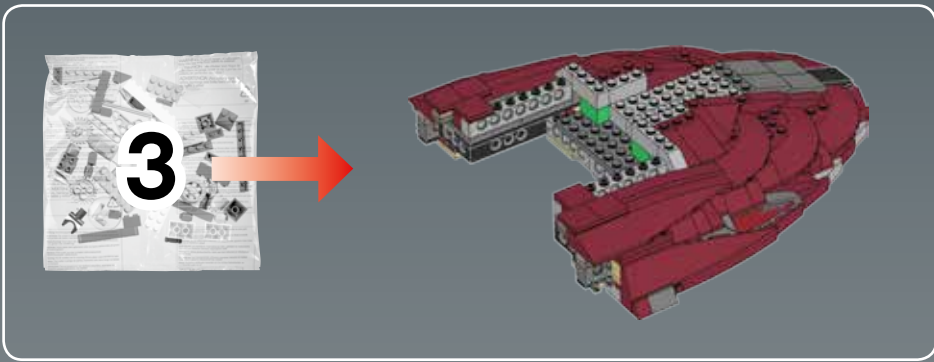


9

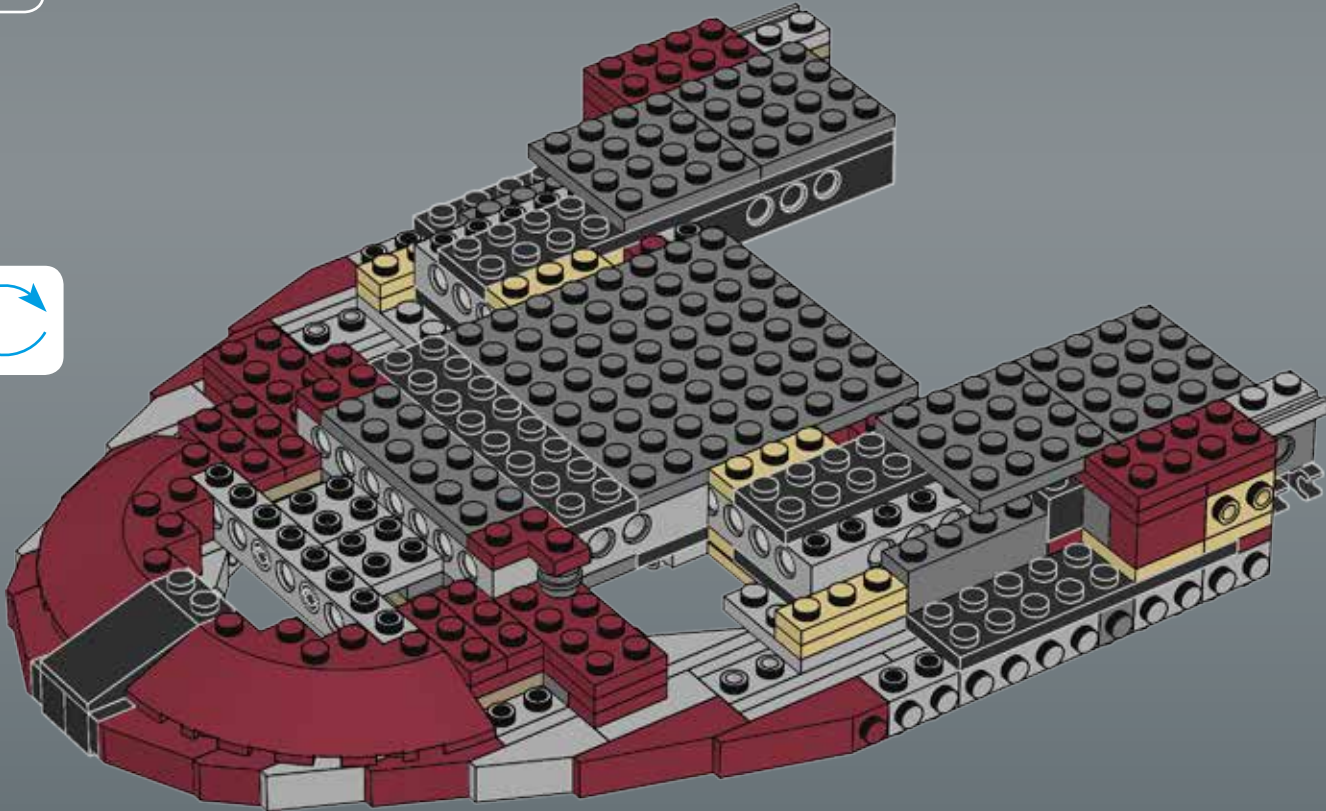


23



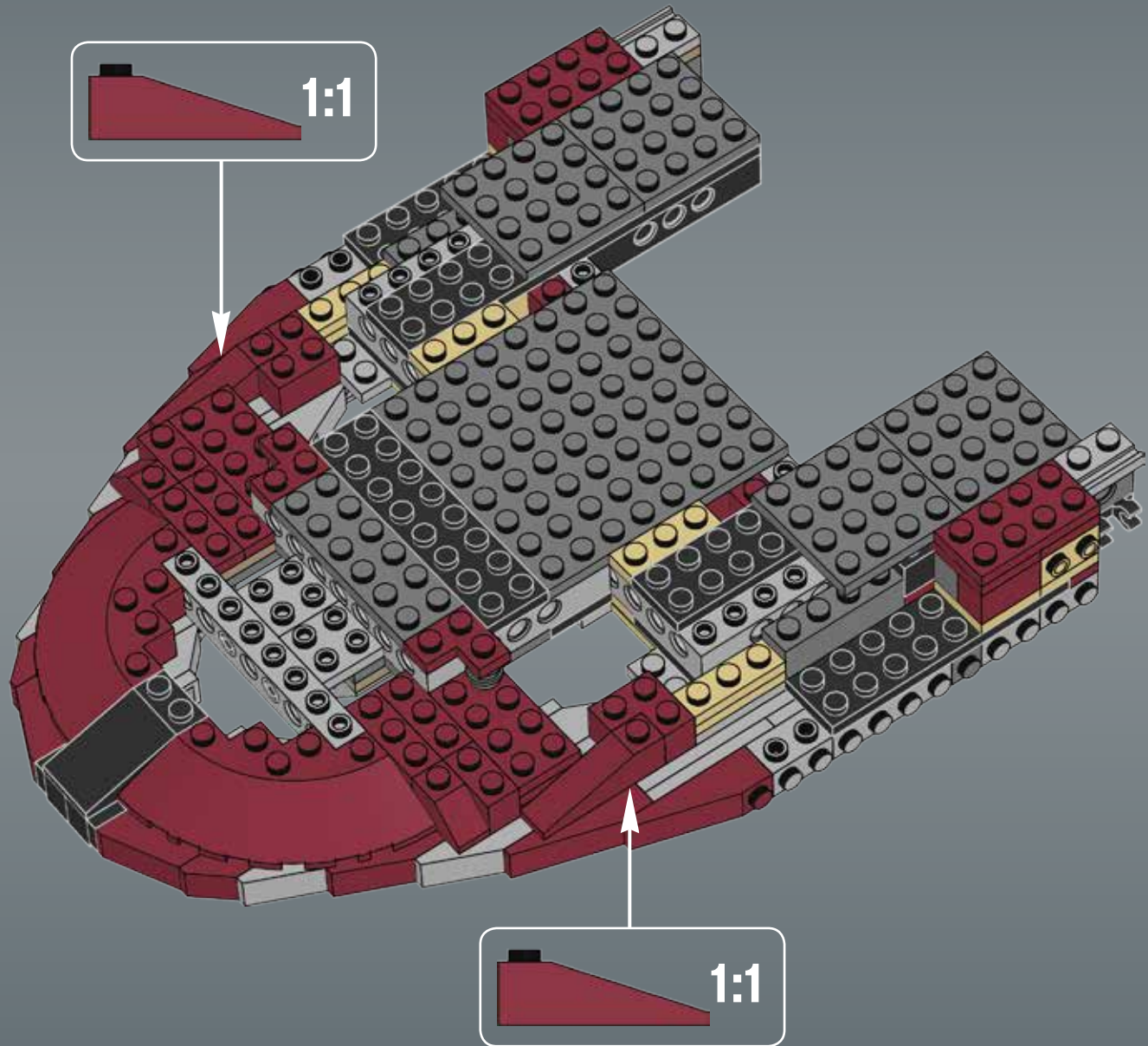


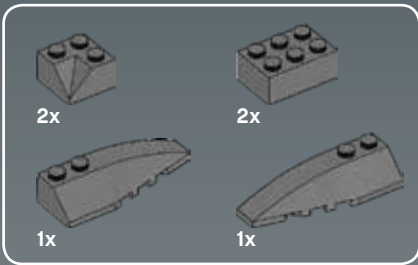
24



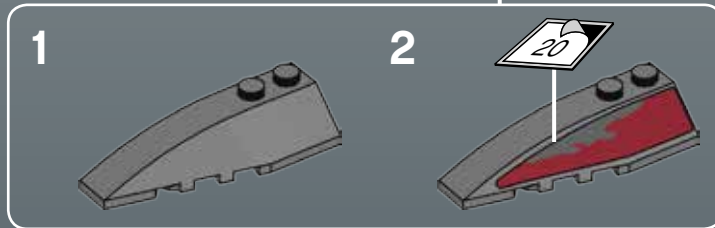
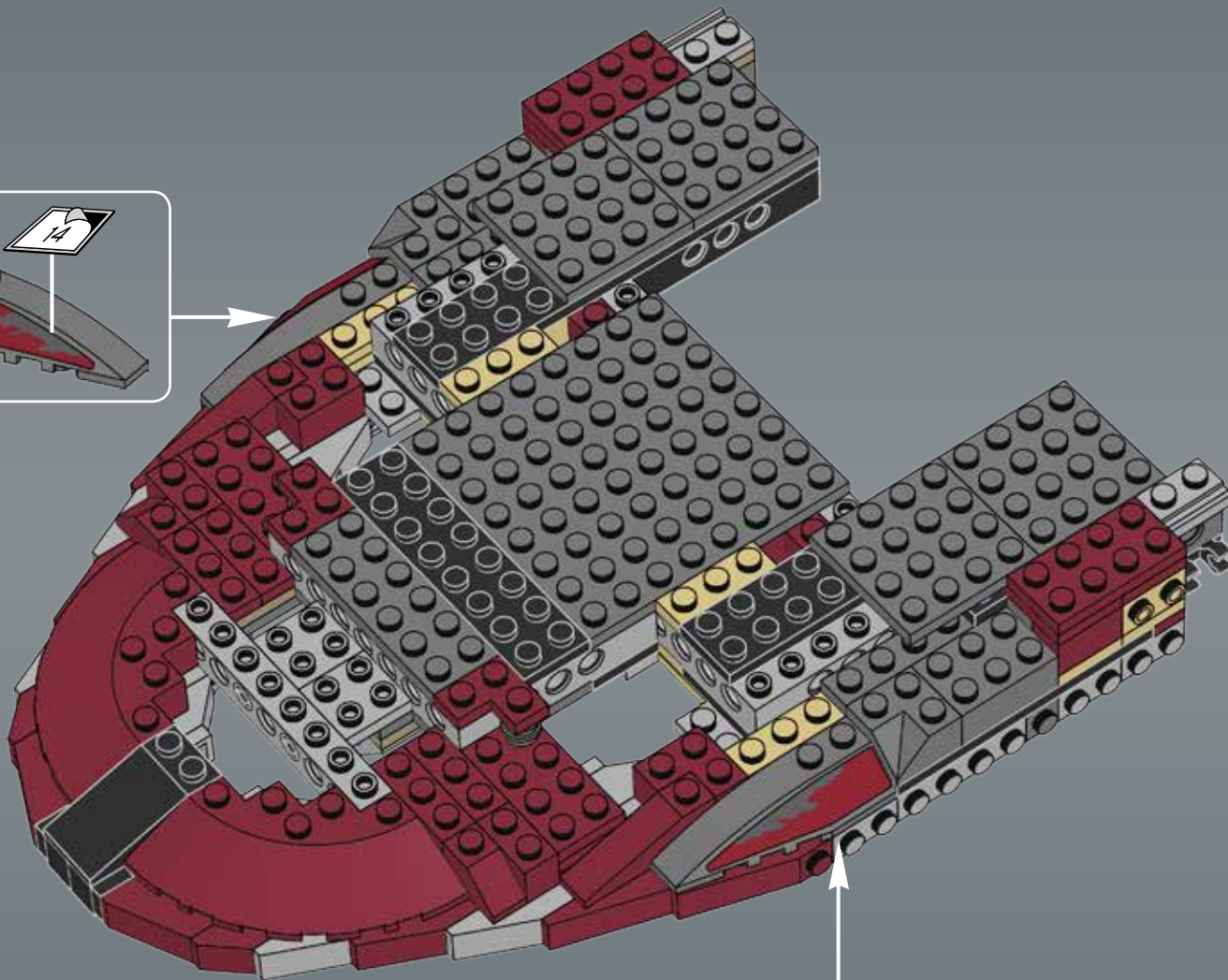
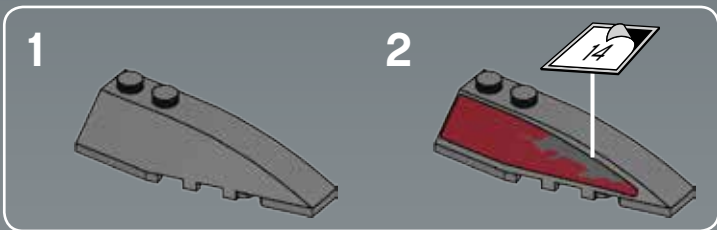


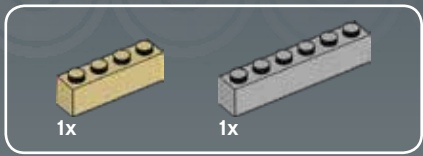
25



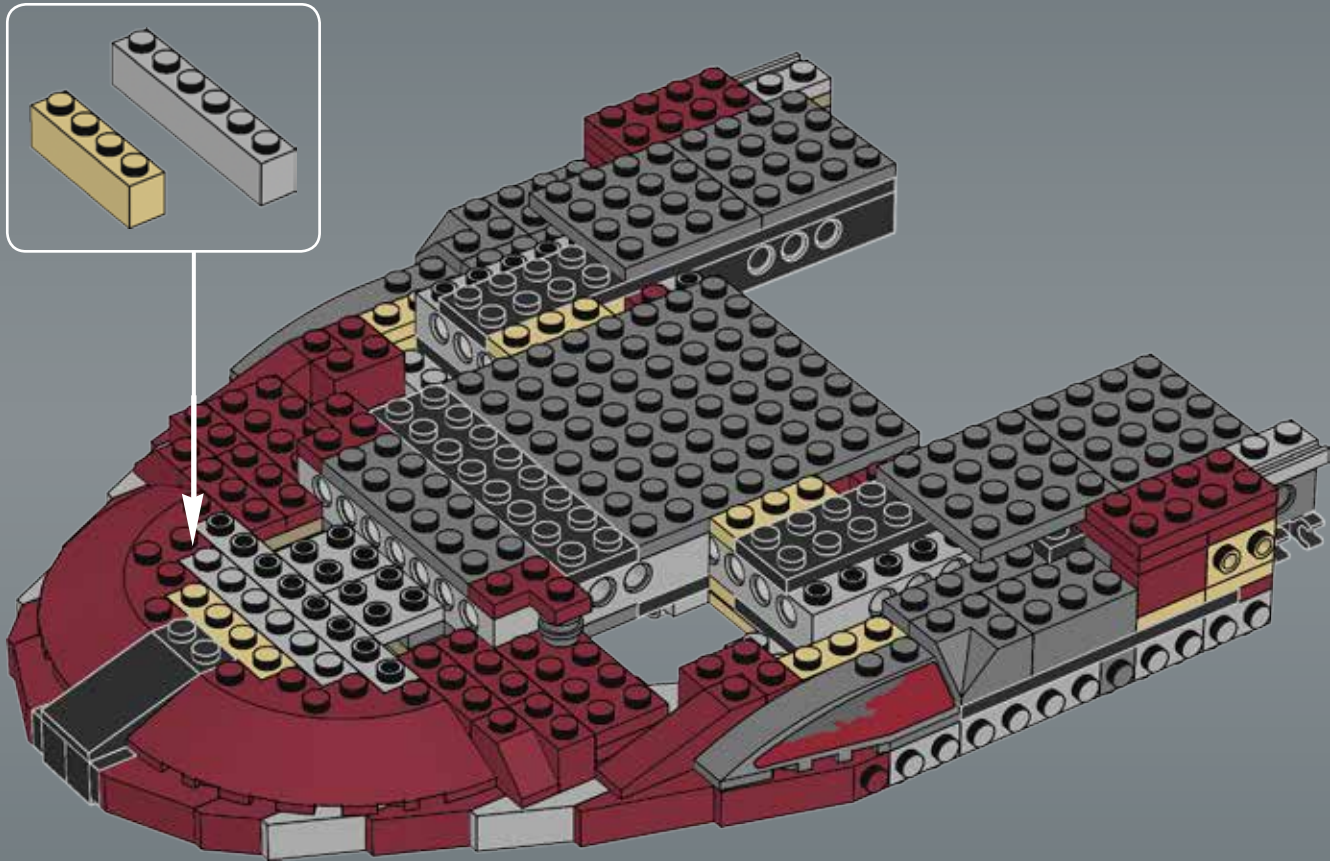


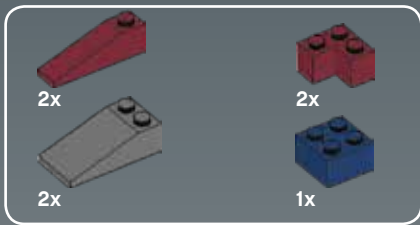
26



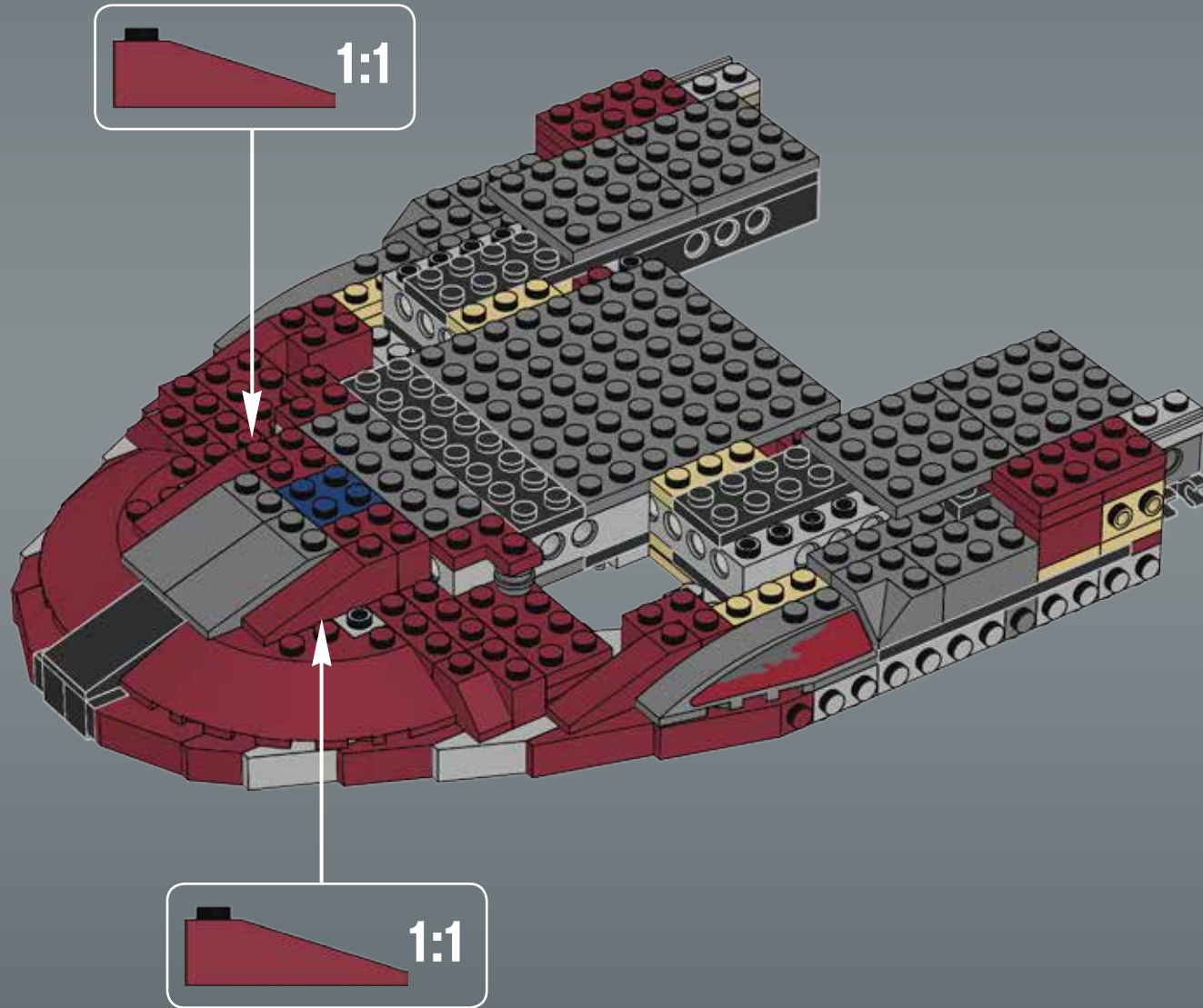


27



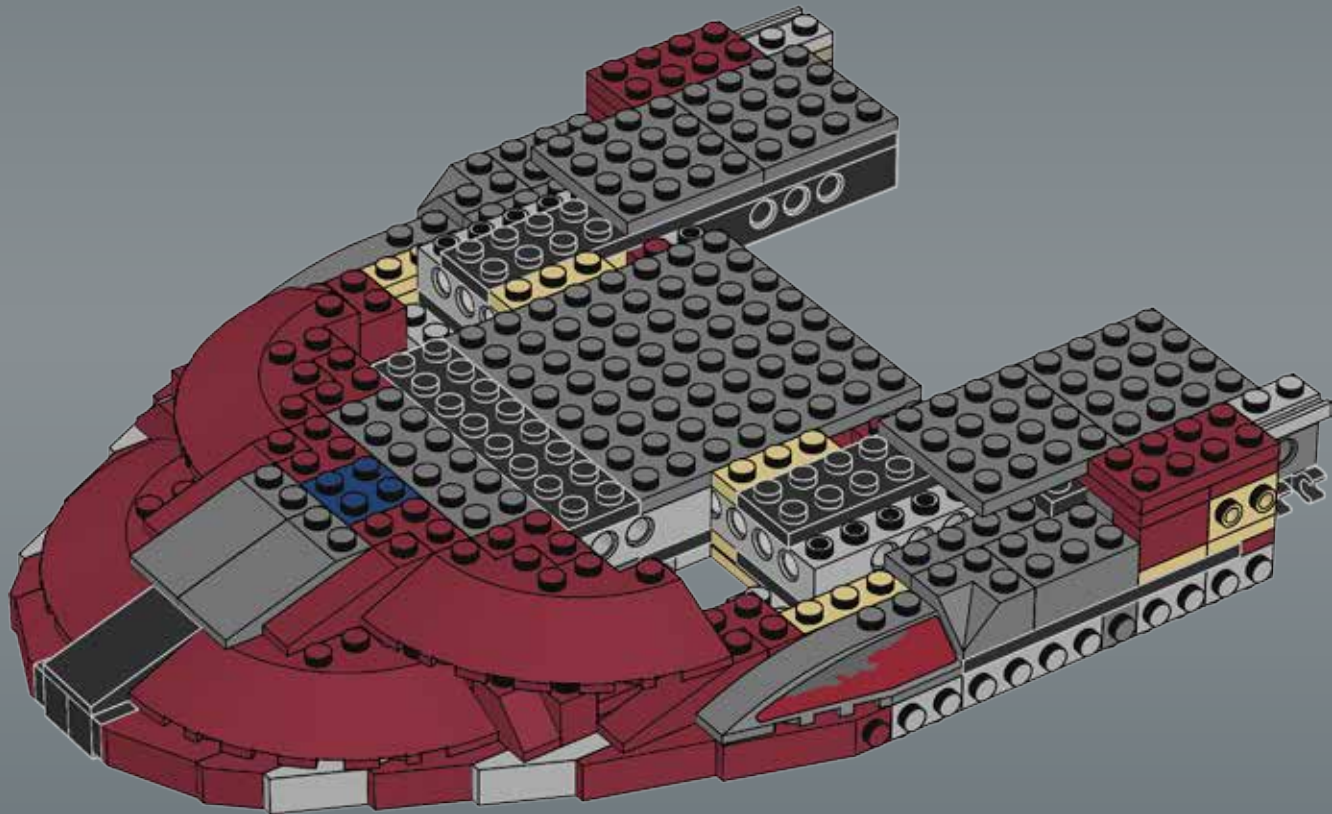


28



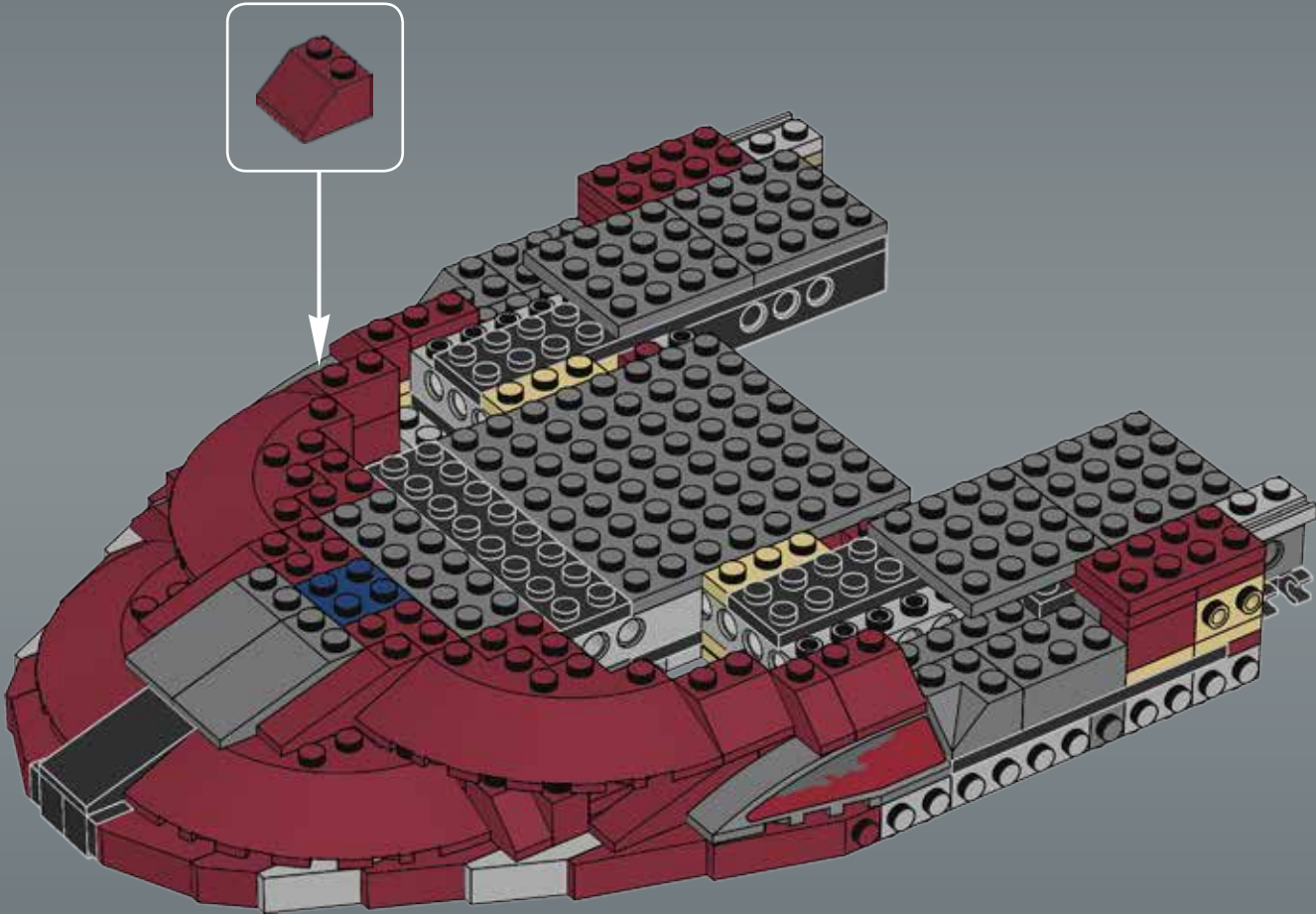


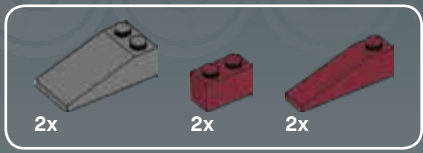
29



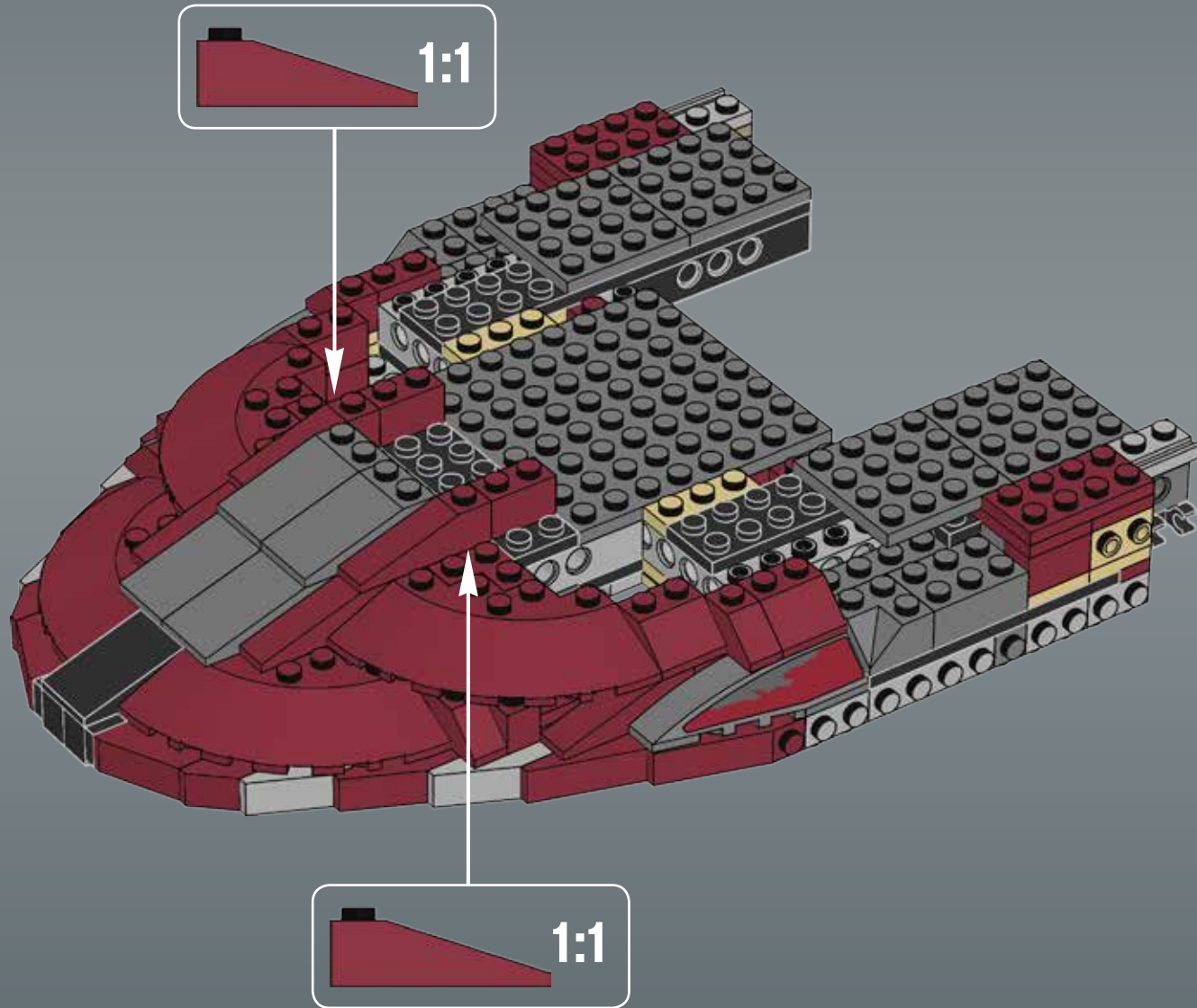


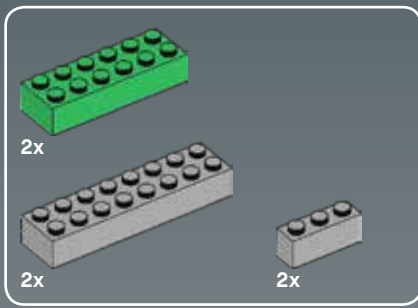
30



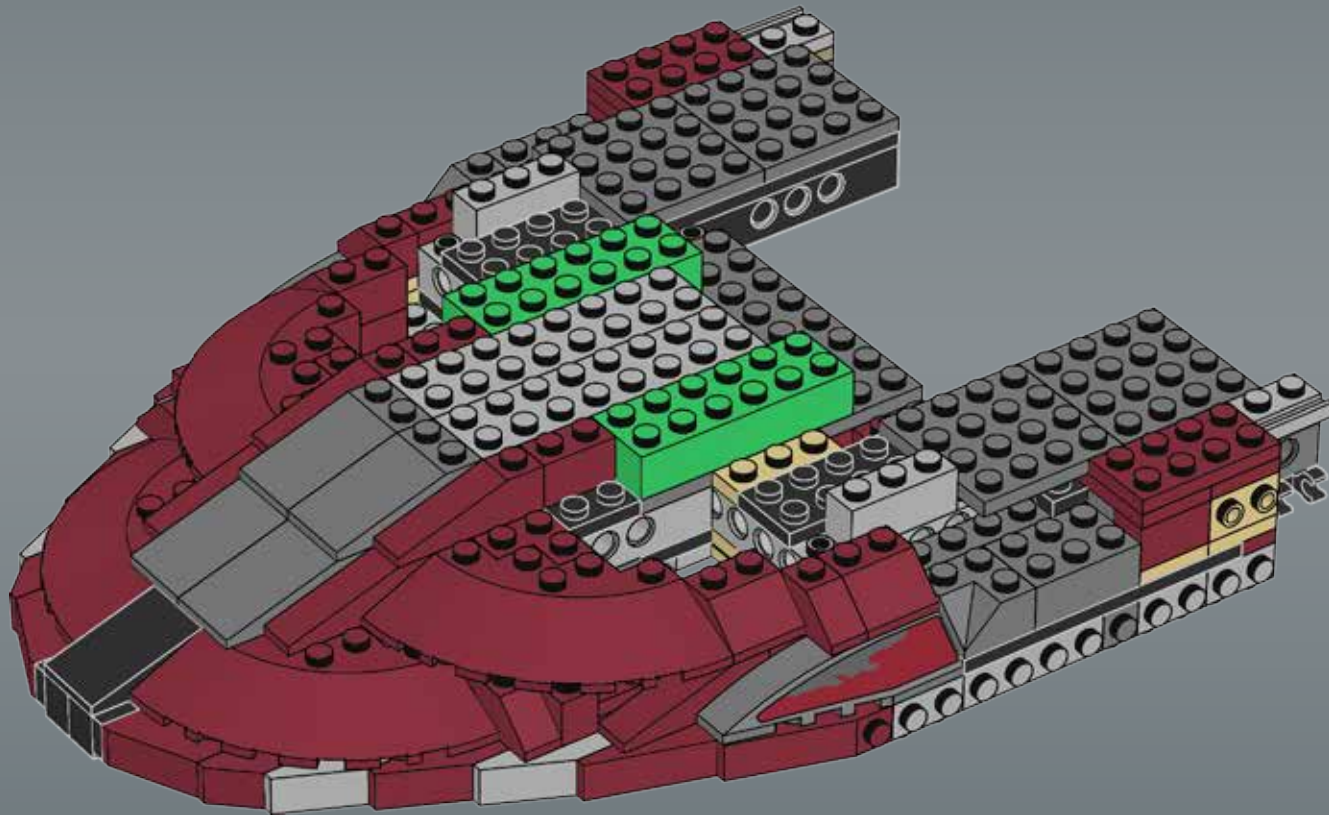


31



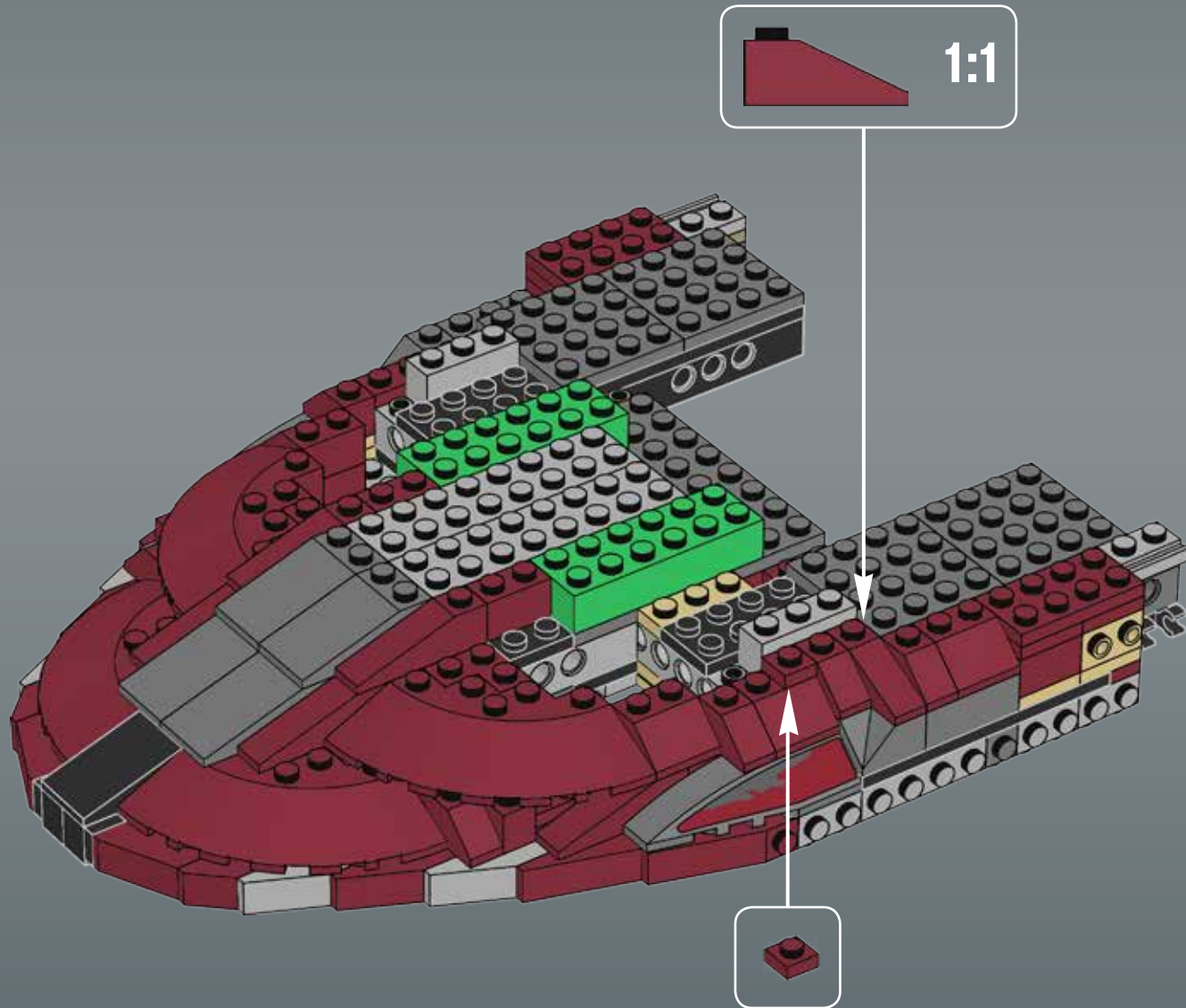


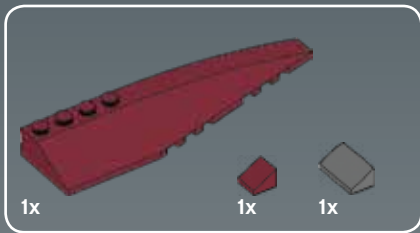
32



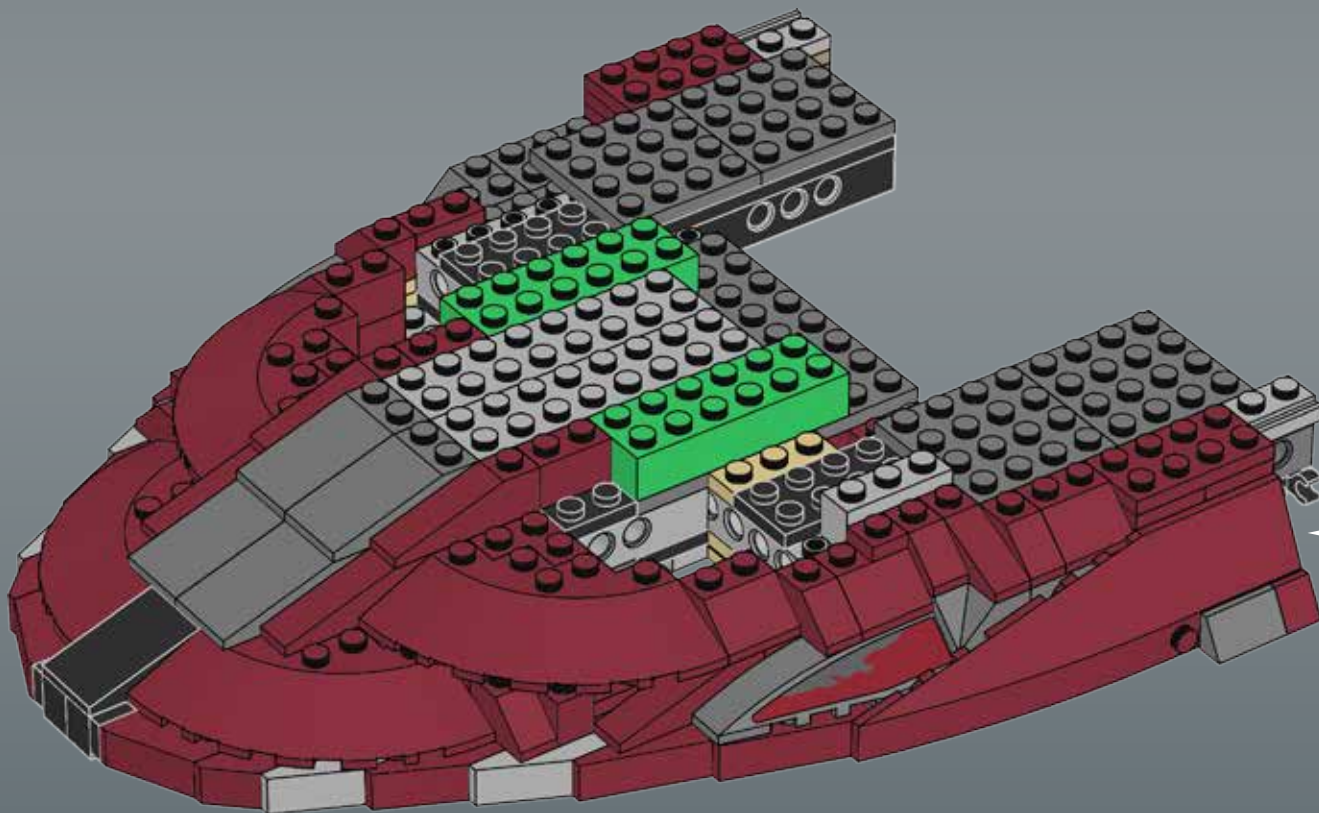
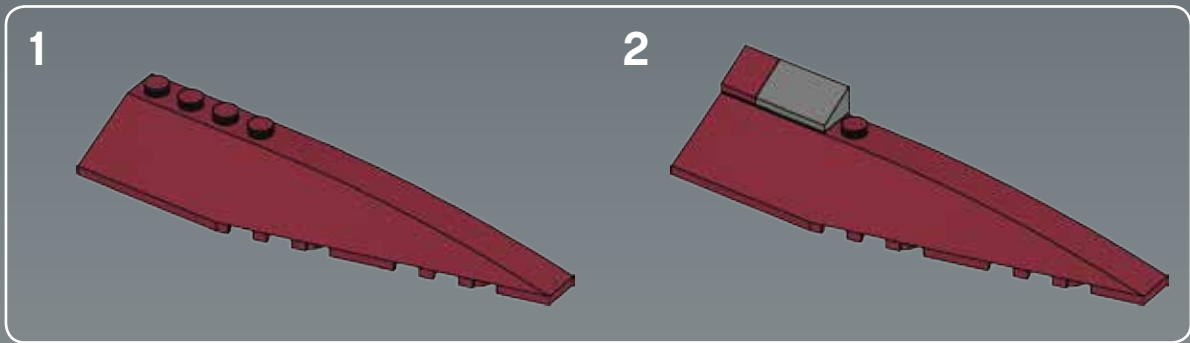


33



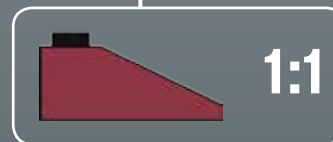
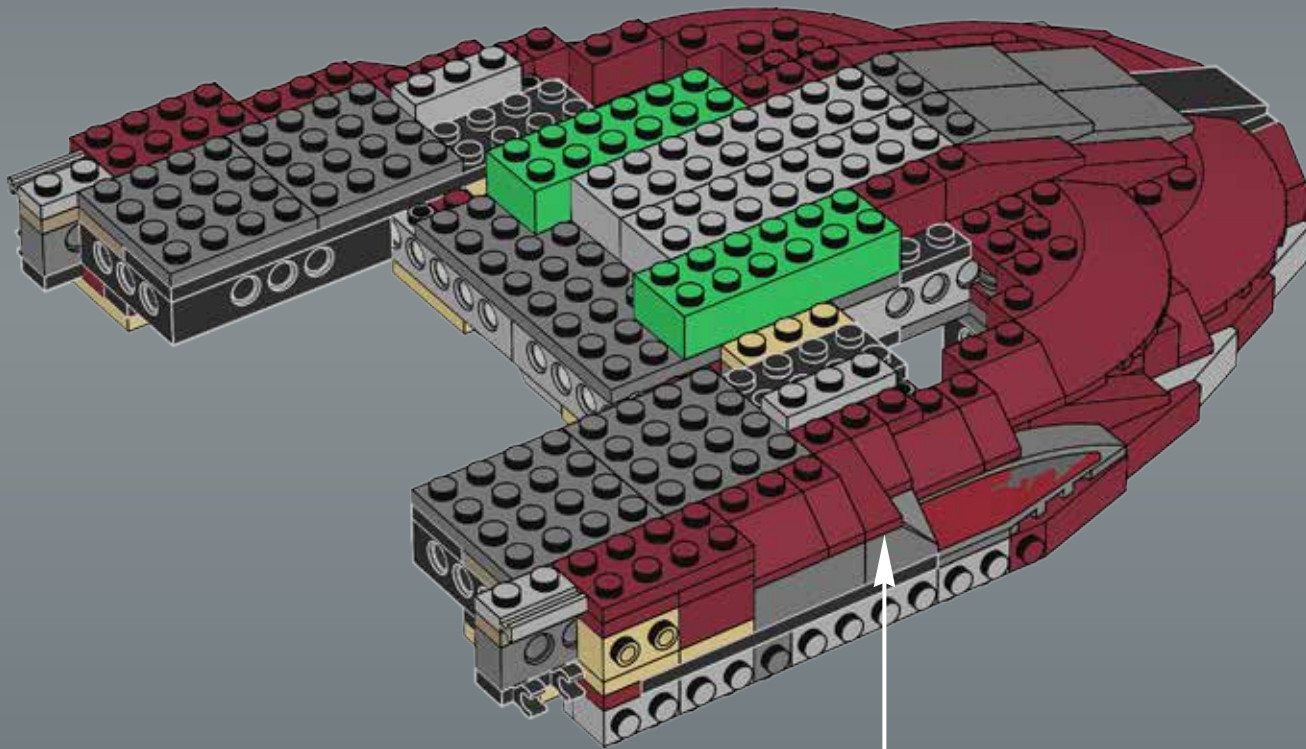


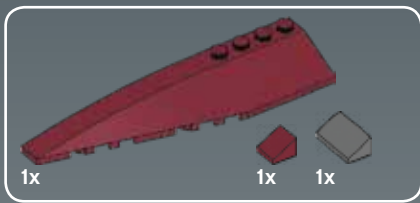
34



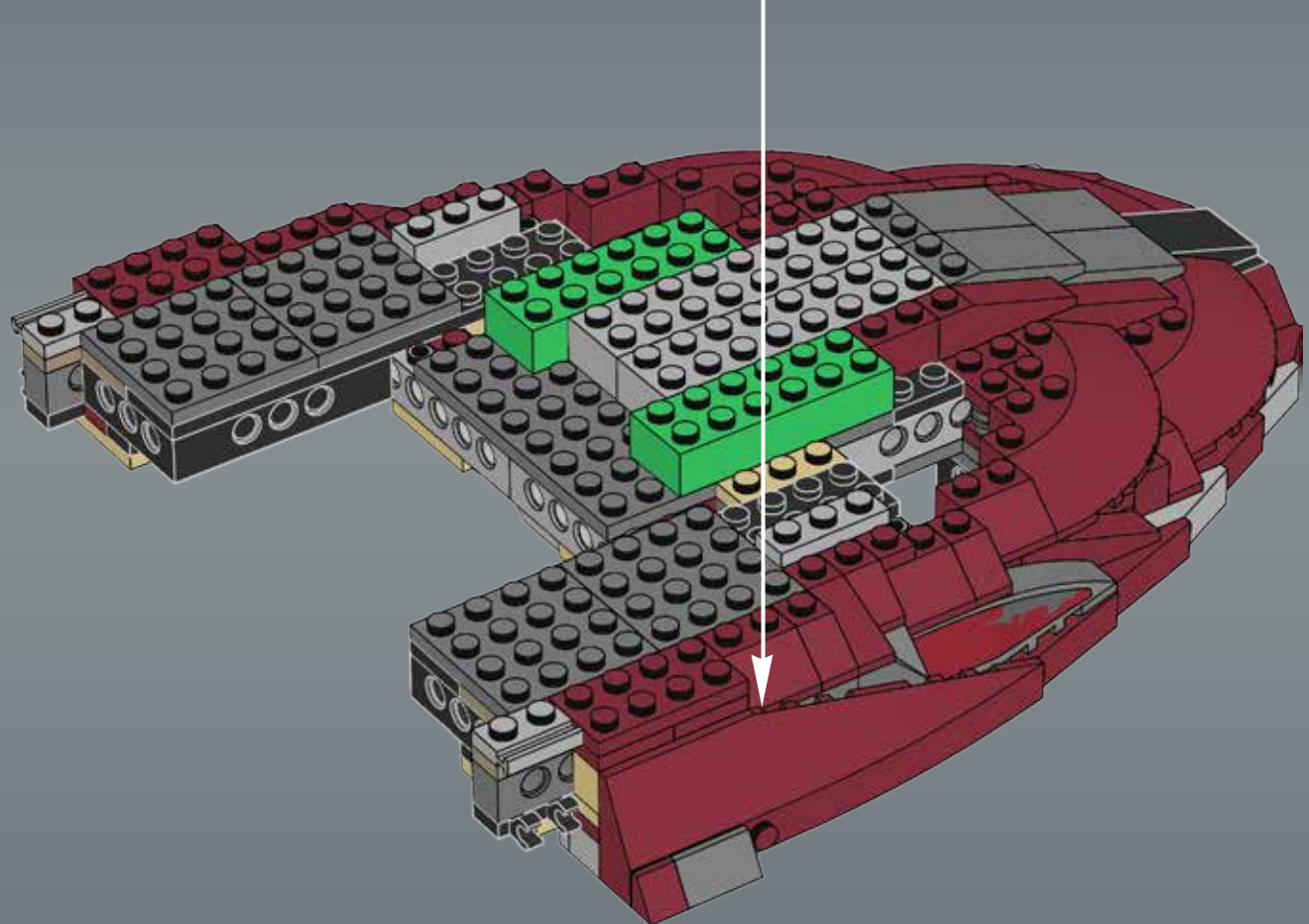
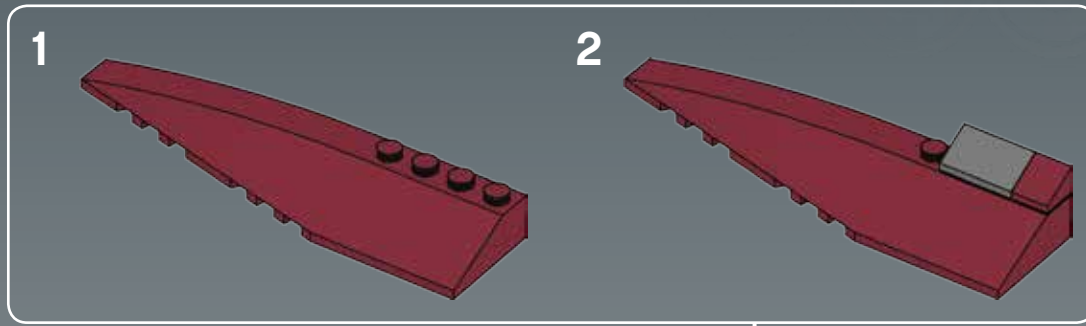


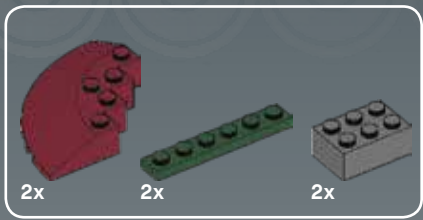
35



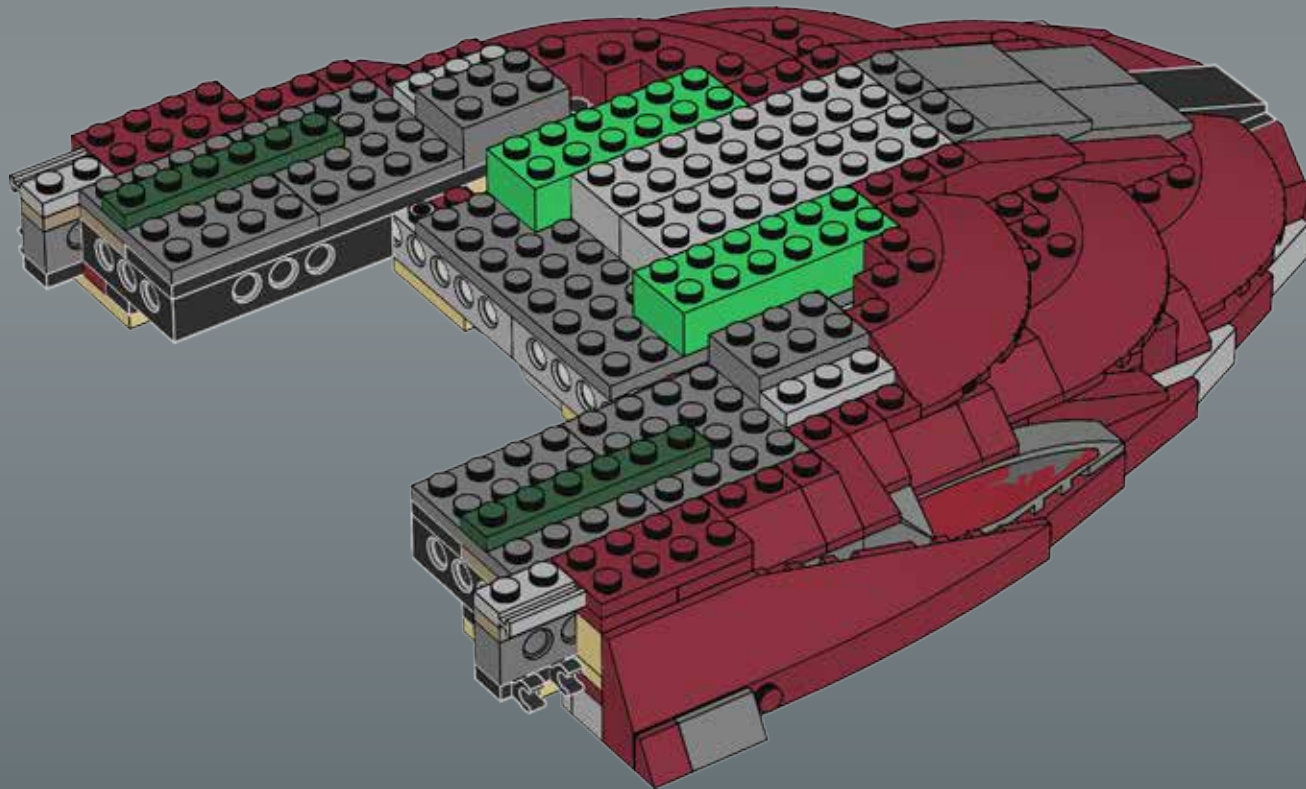


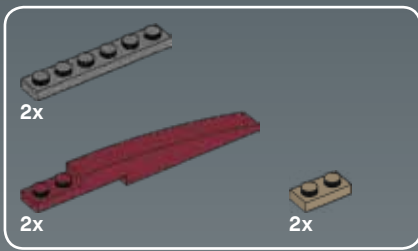
36



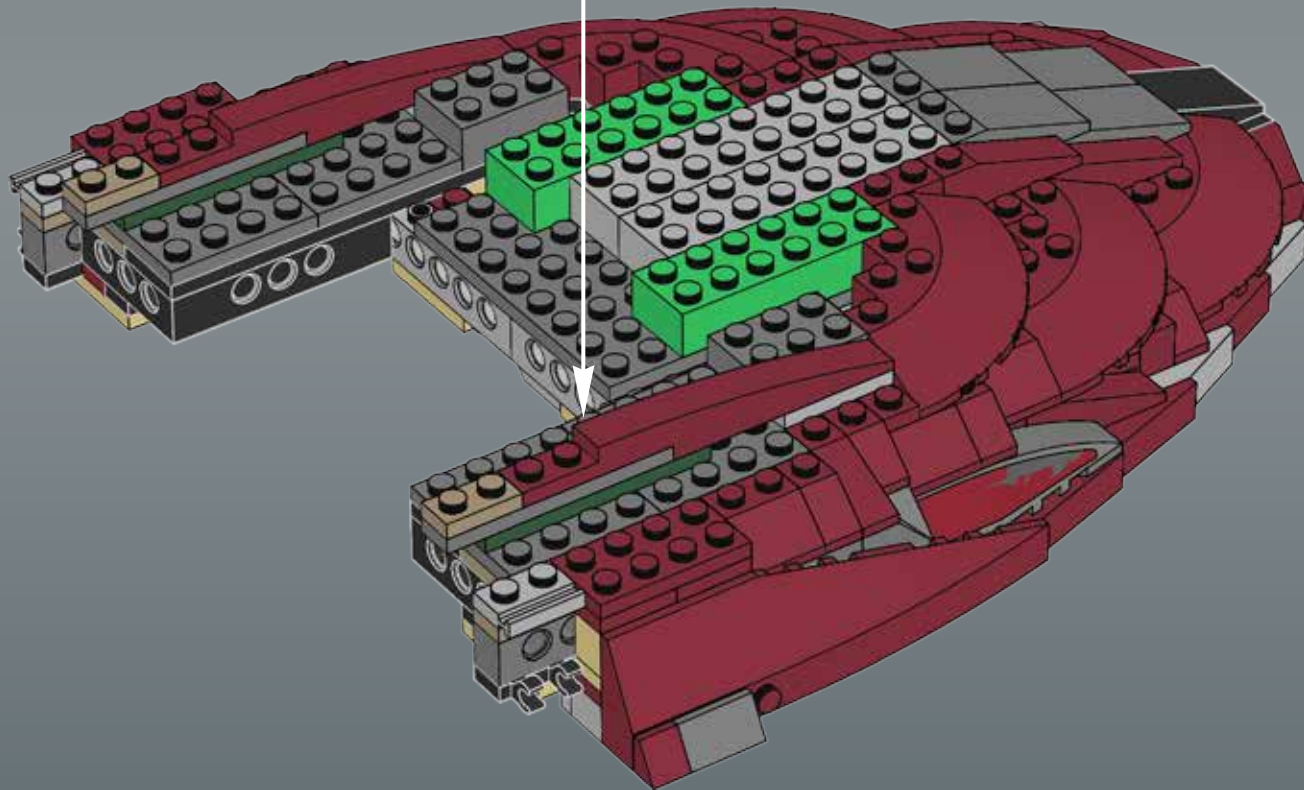
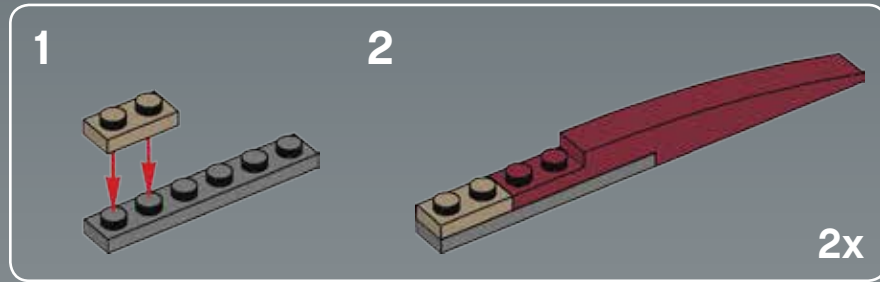


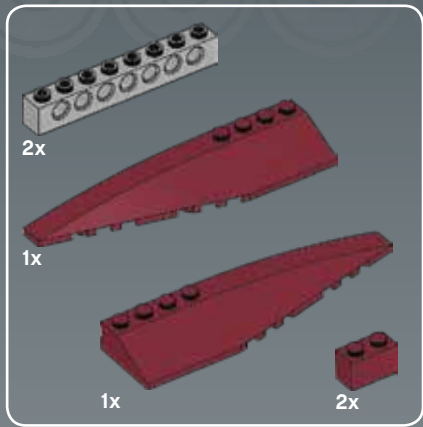
37



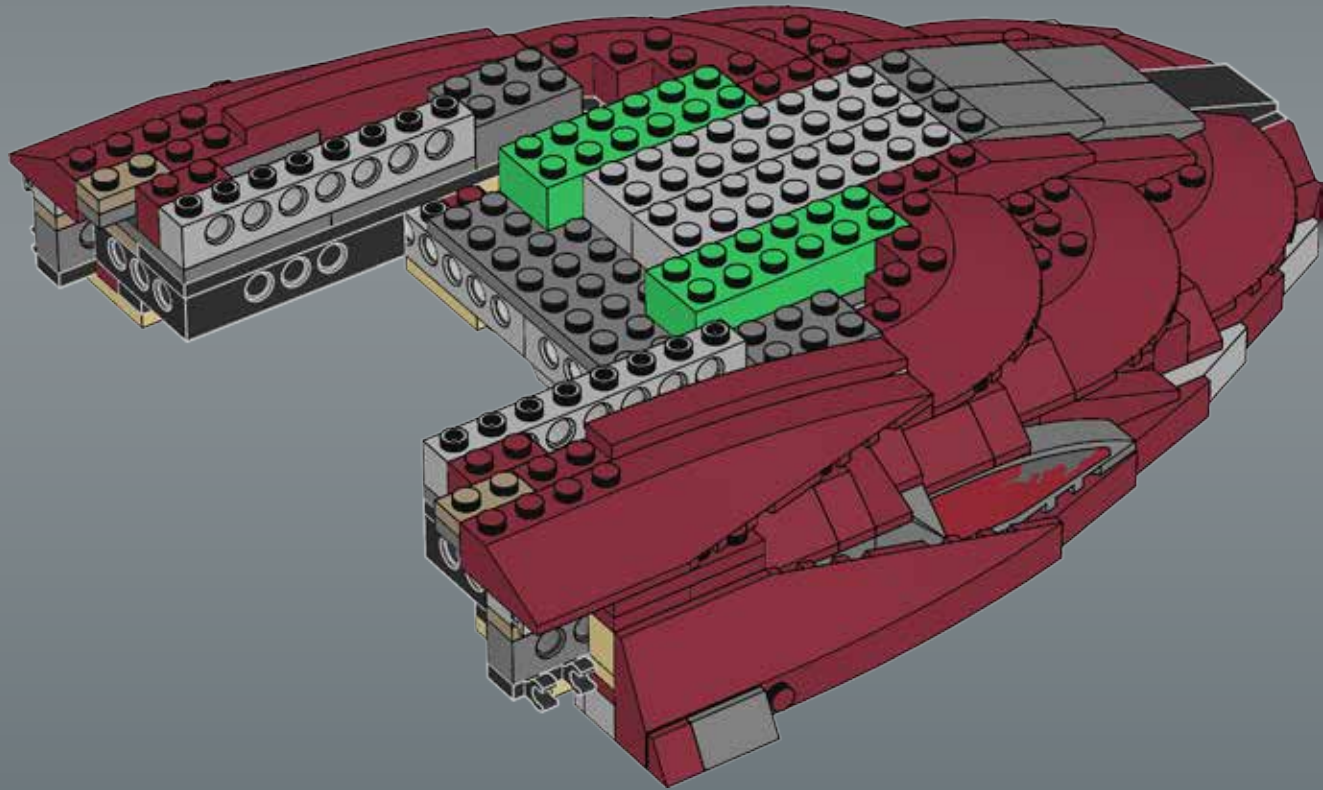


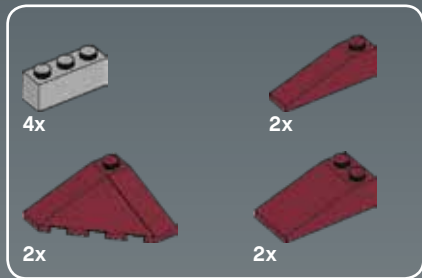
38



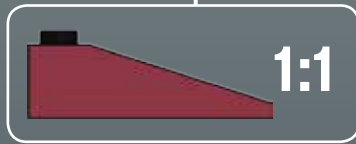
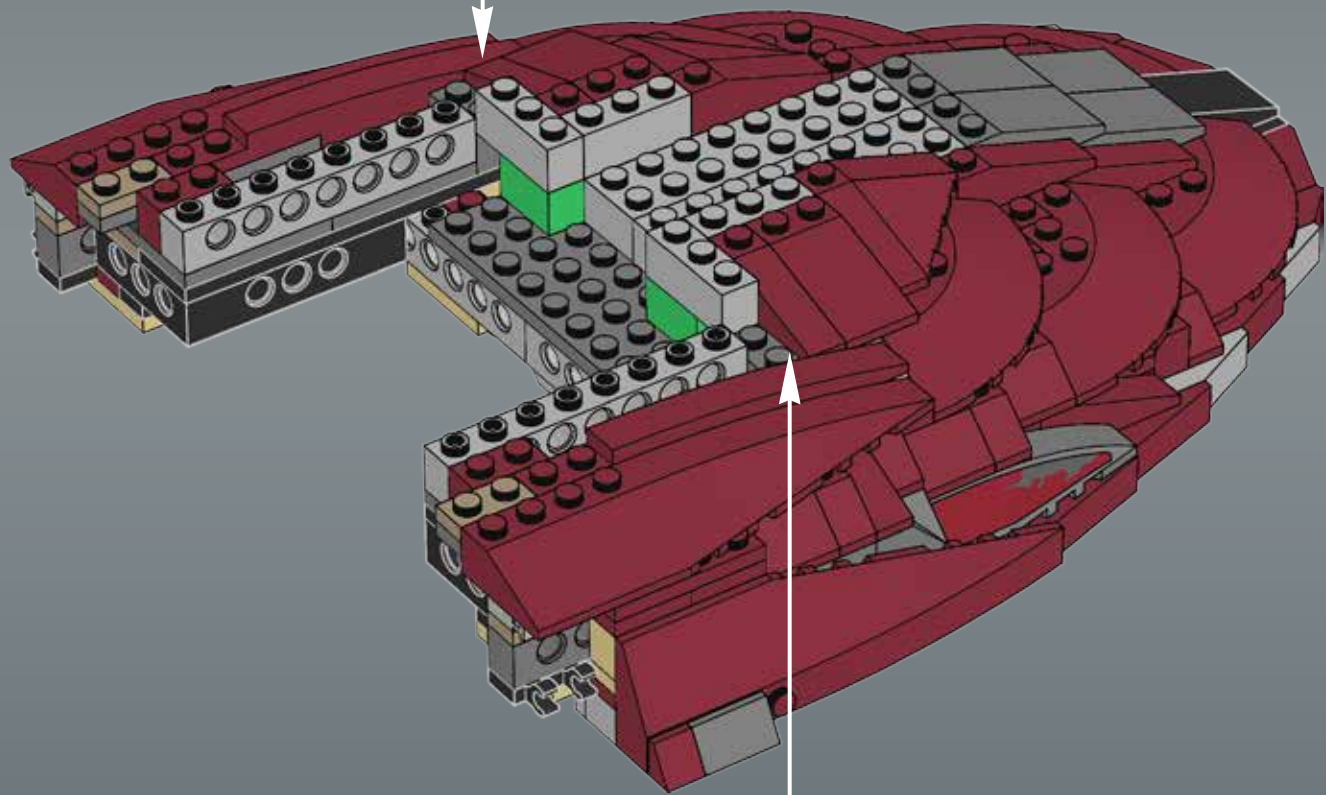


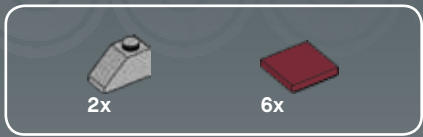
39



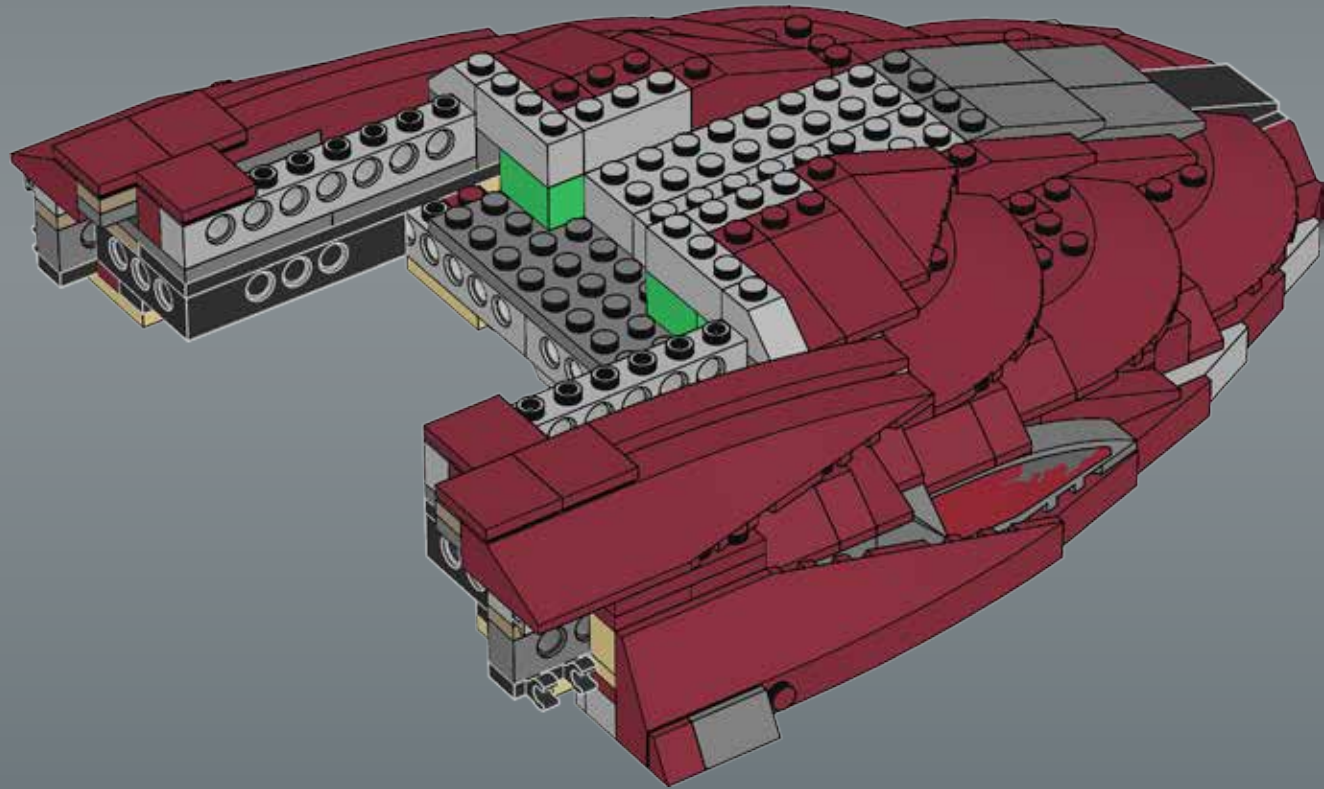


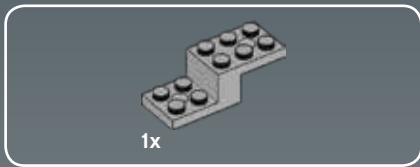
40



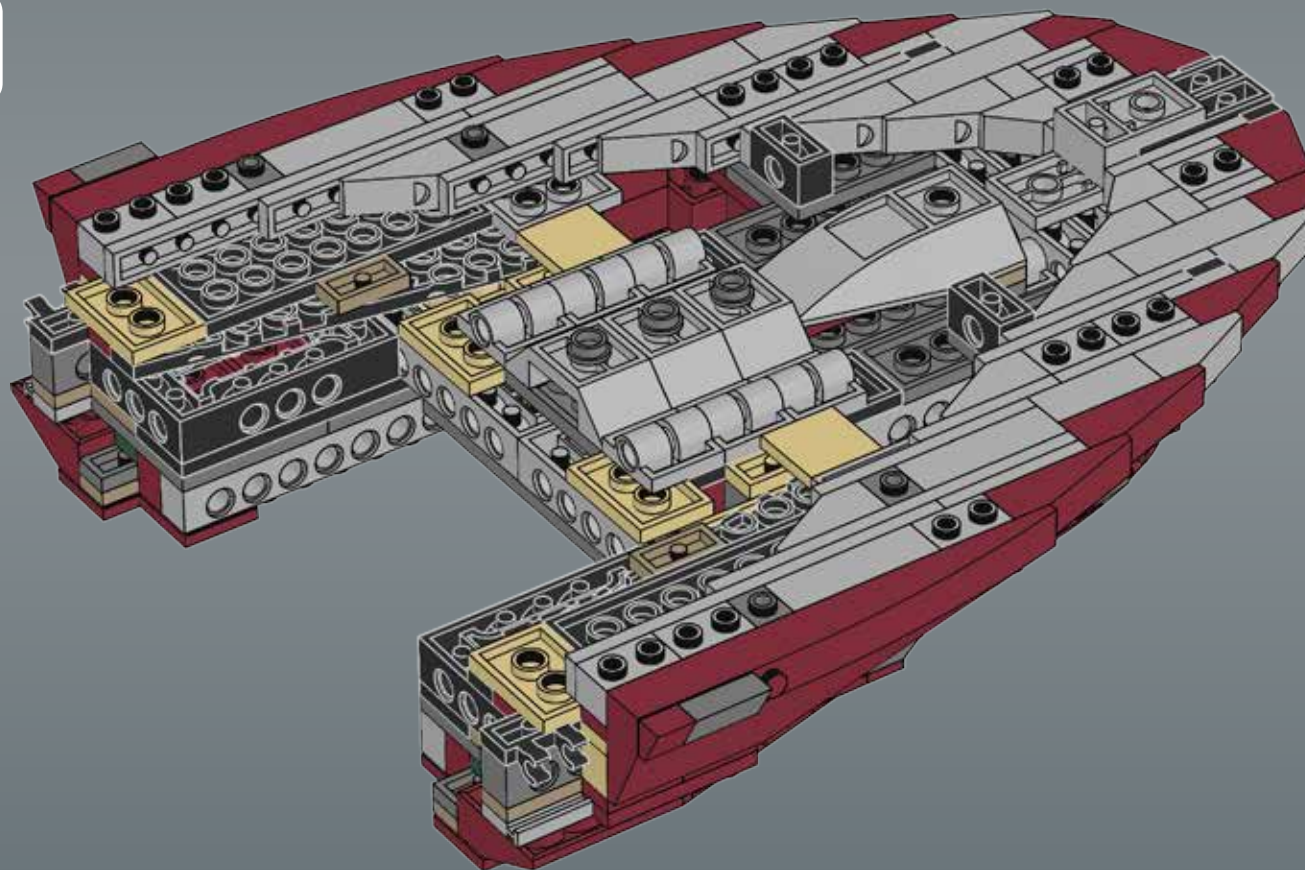


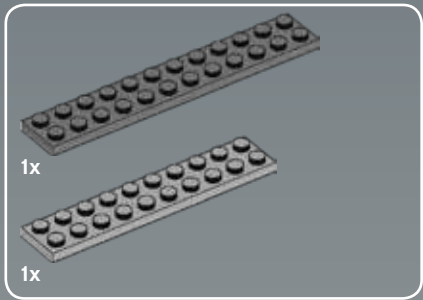
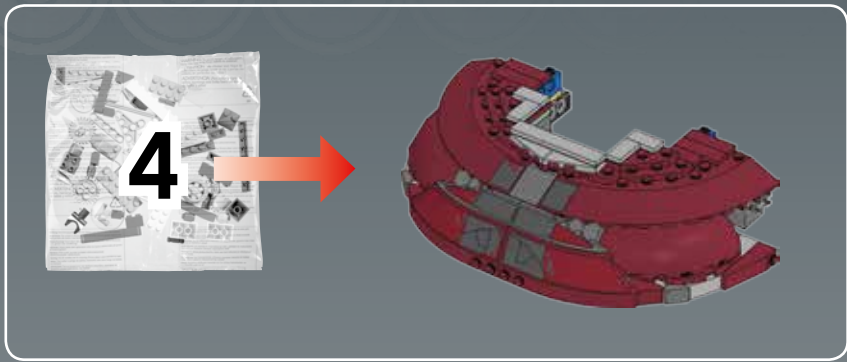
41



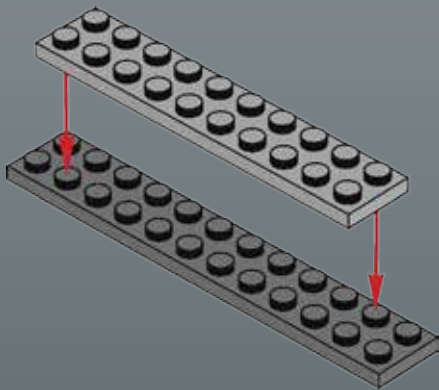


42

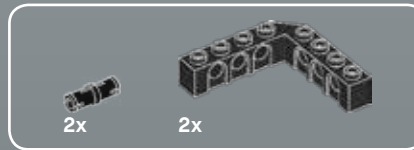
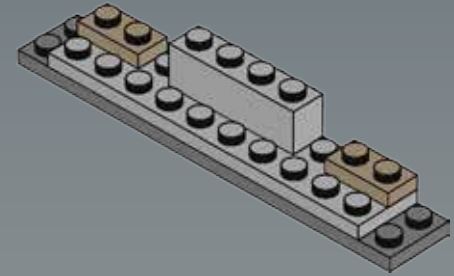




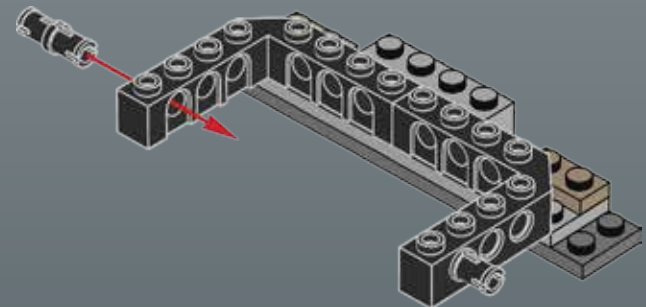
1

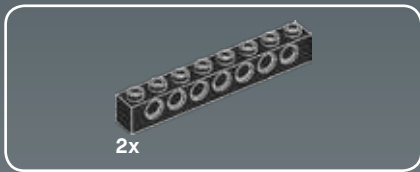


2

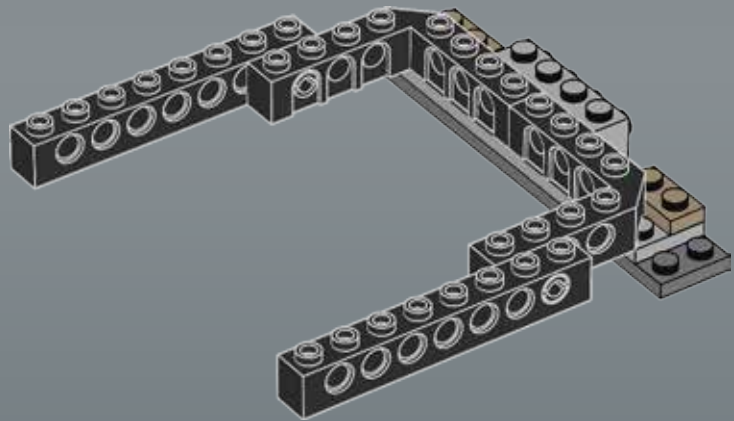


3

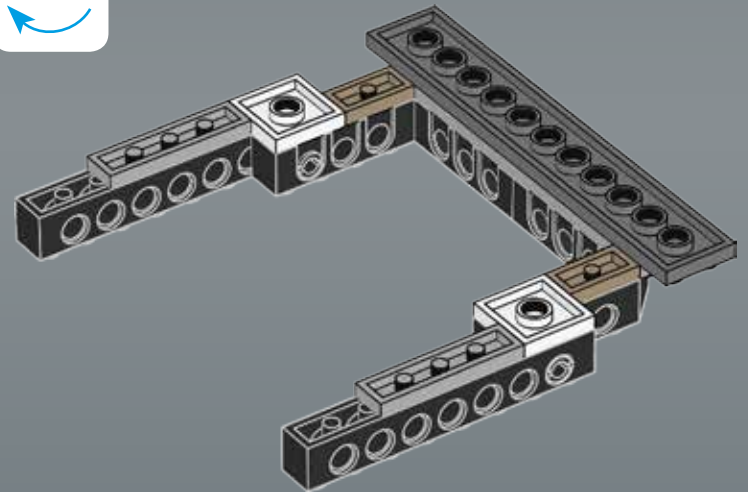




4

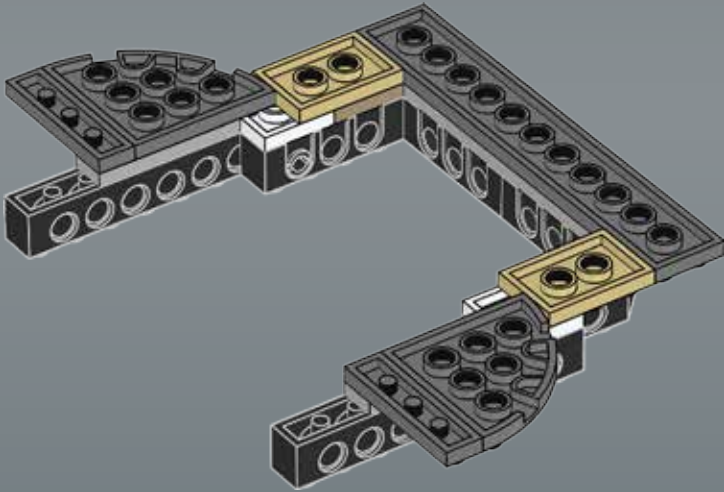


5

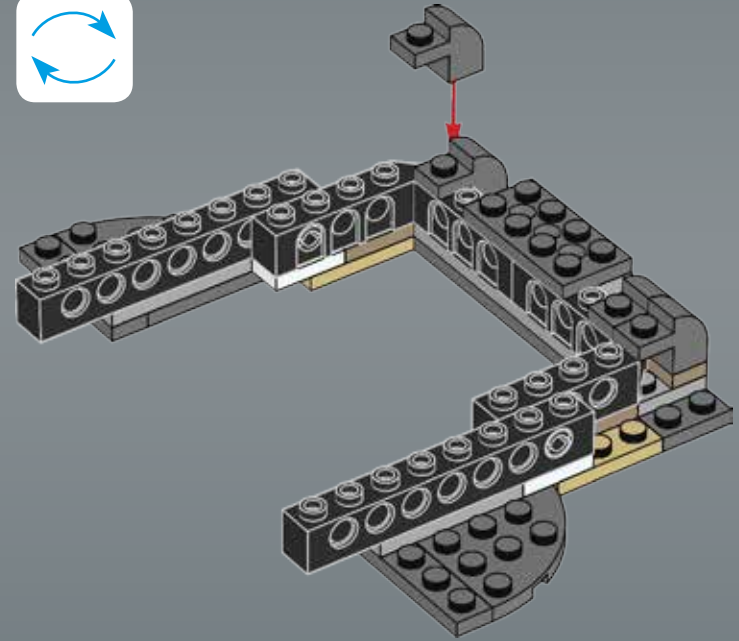




6

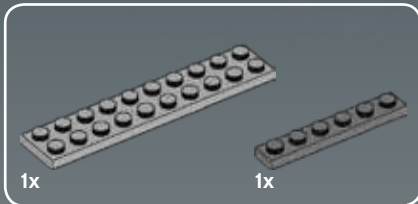
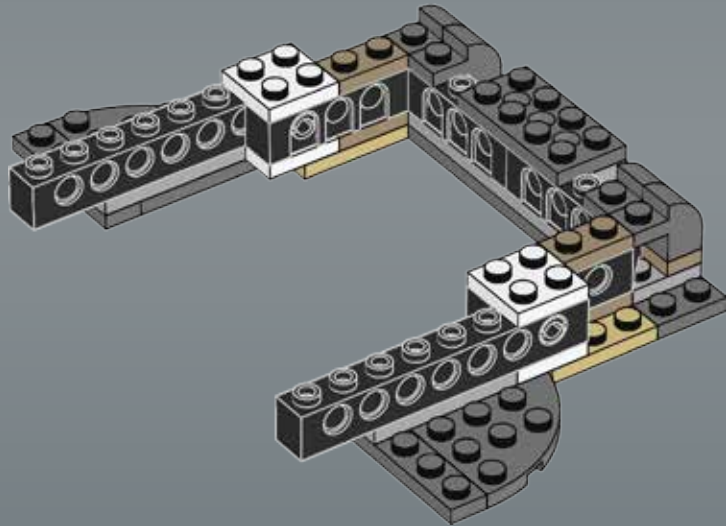


7

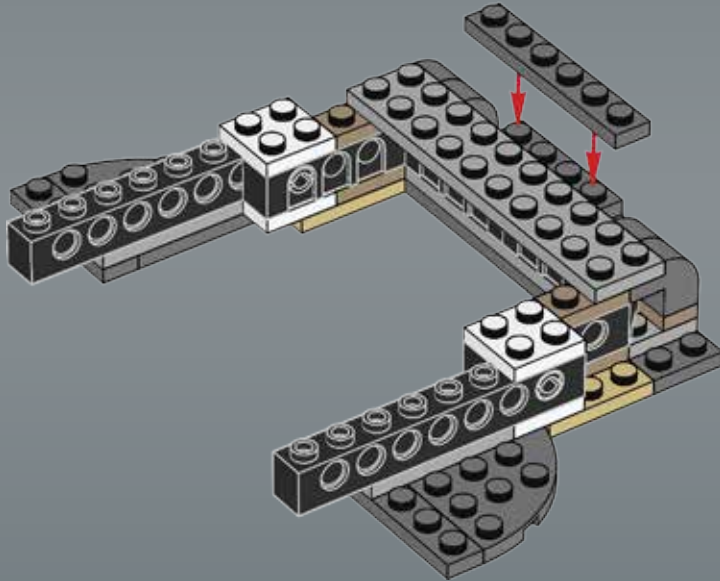


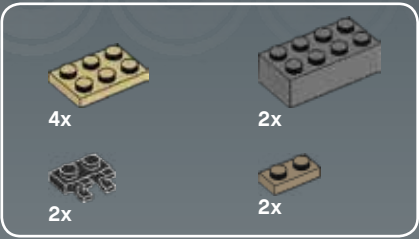


8

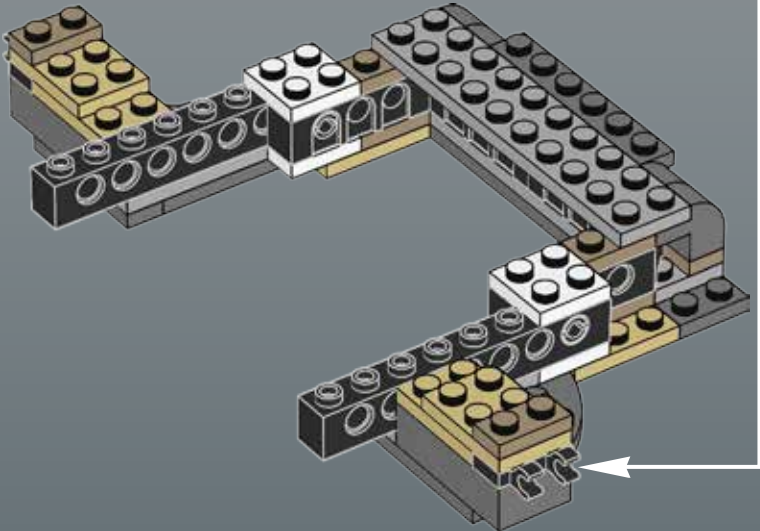
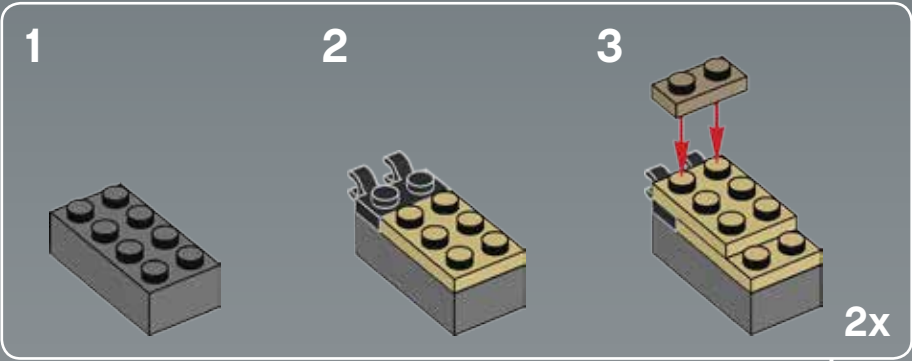


9

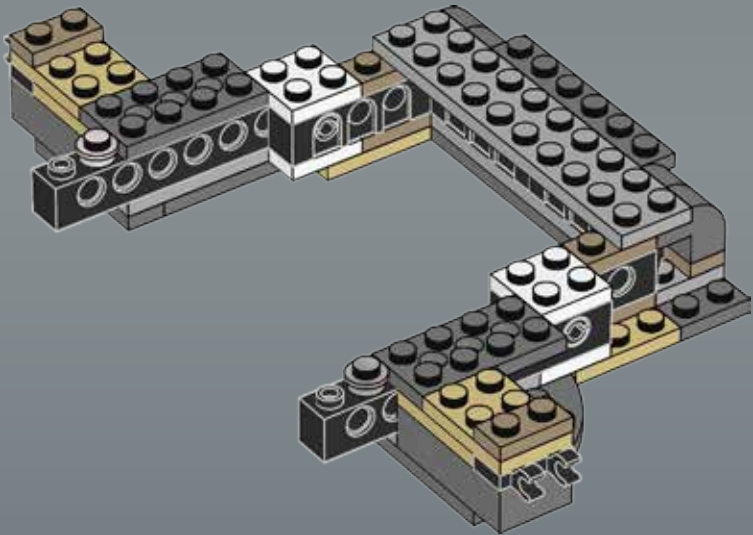




10

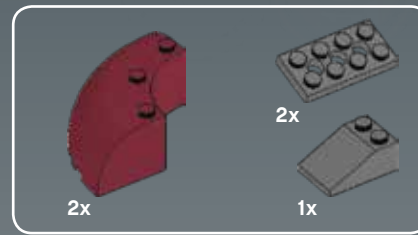
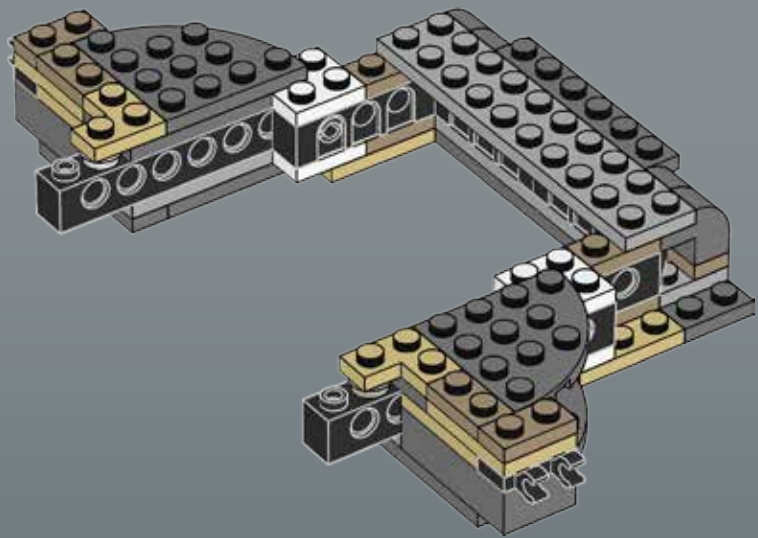


11

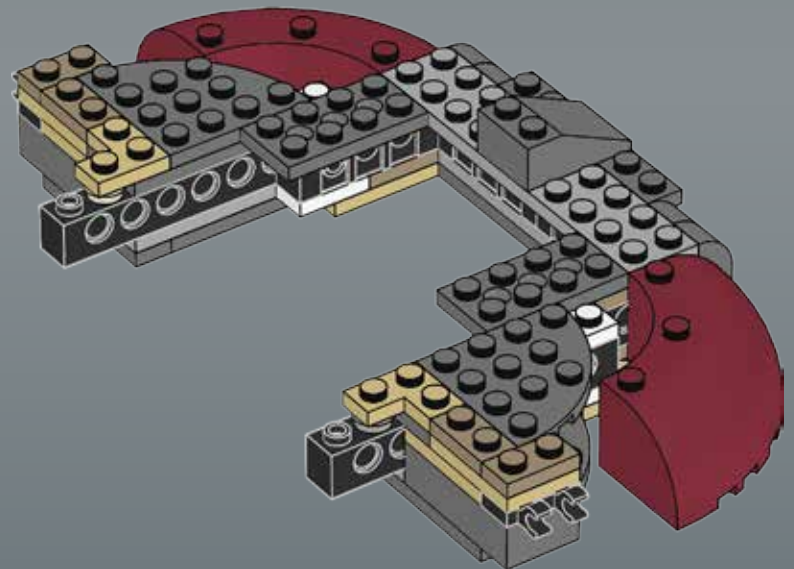


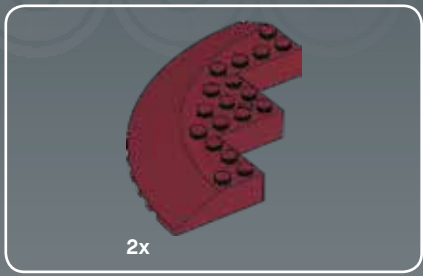


12

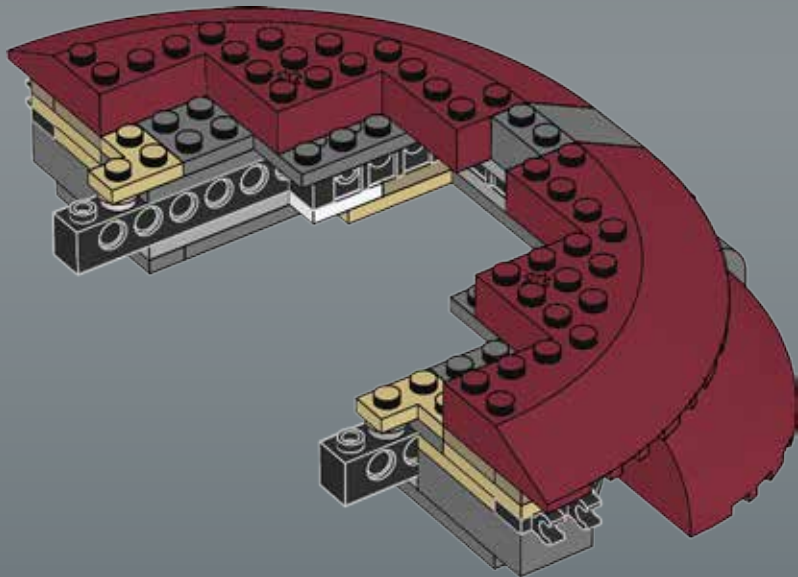


13

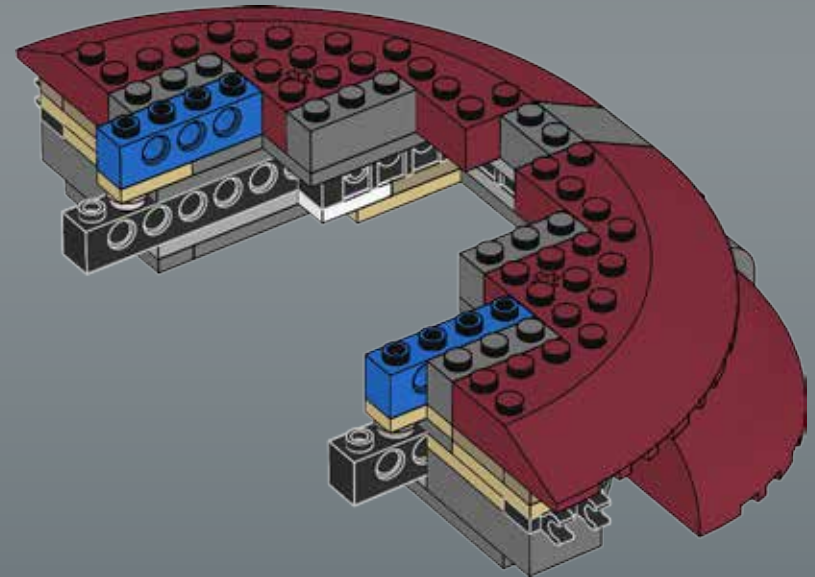


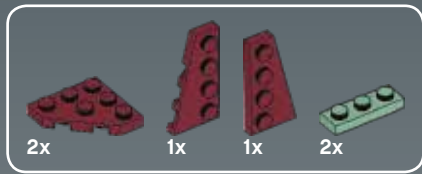


14

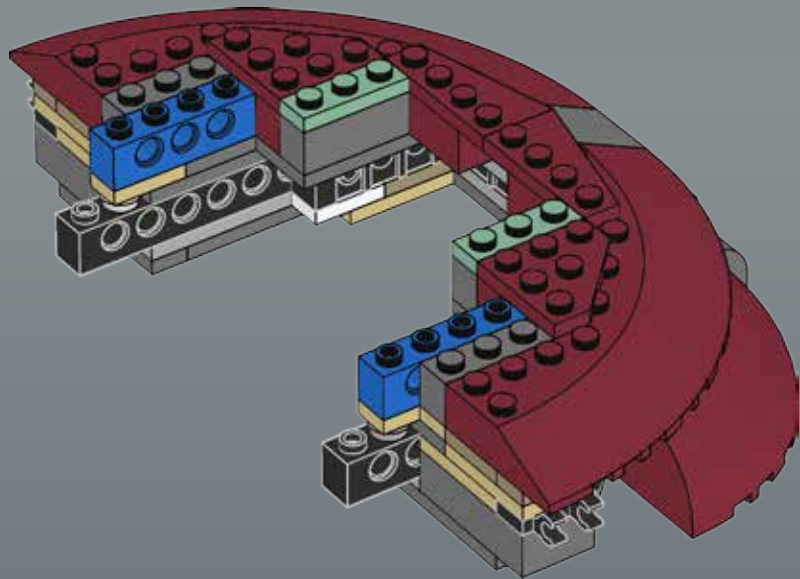


15

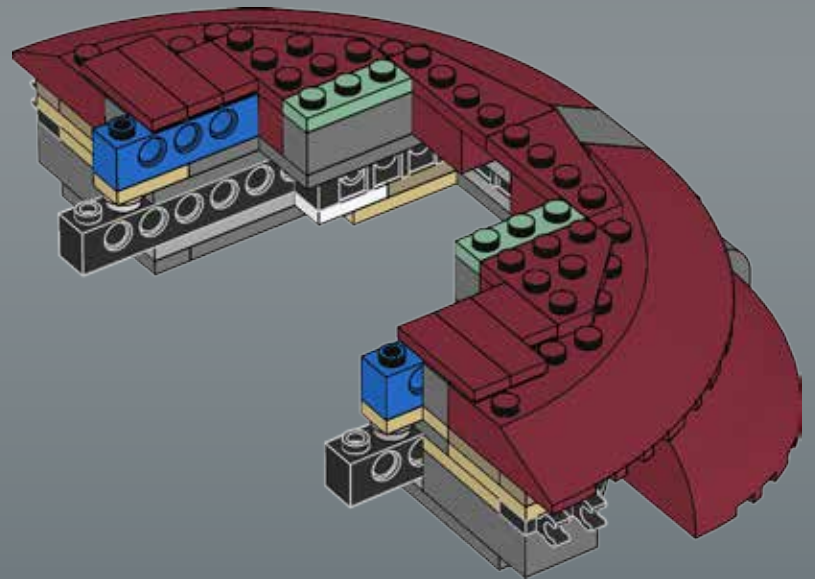




16

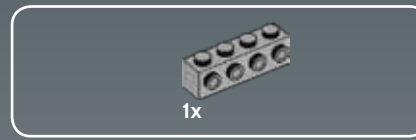
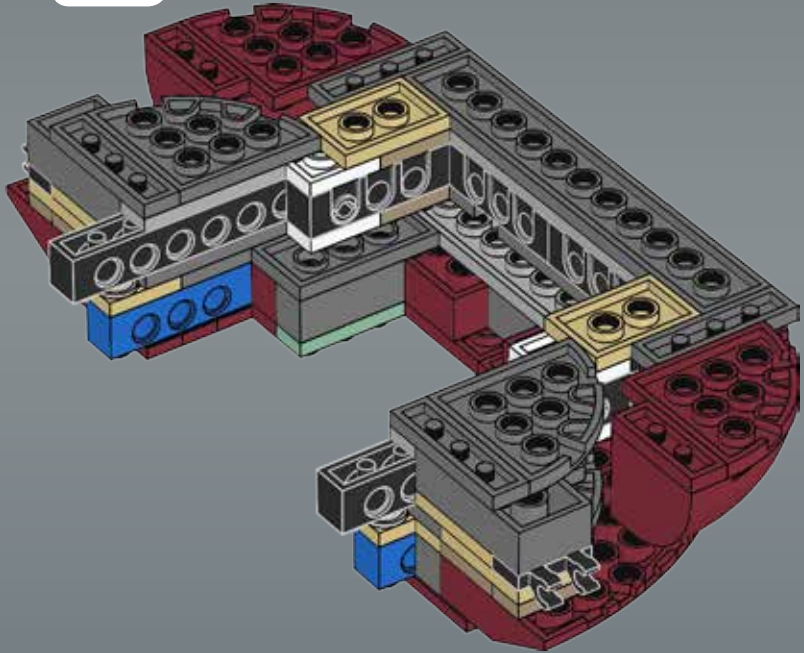


17

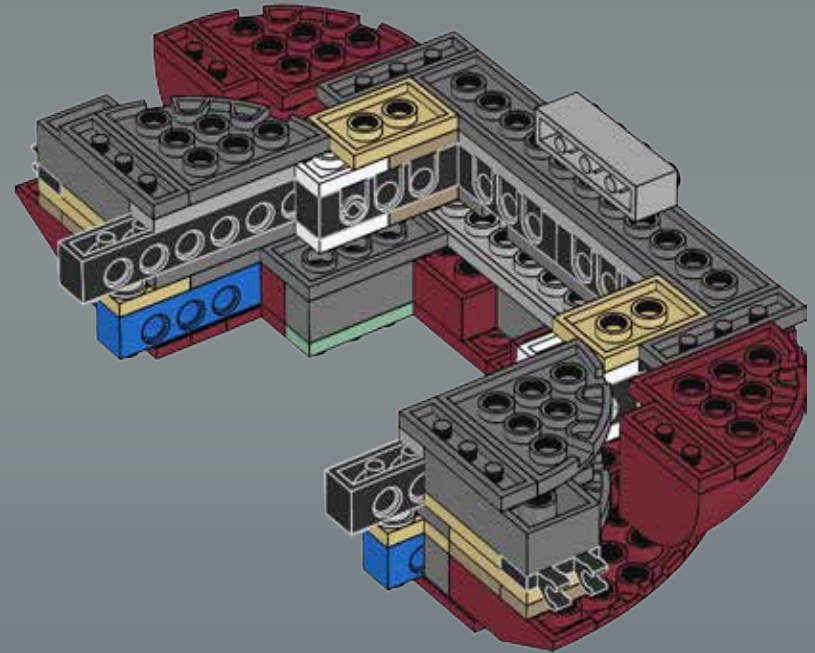


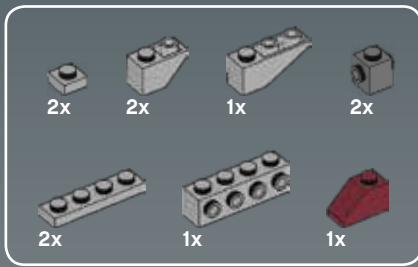


18



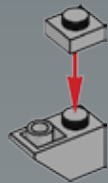
19



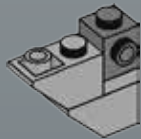


20

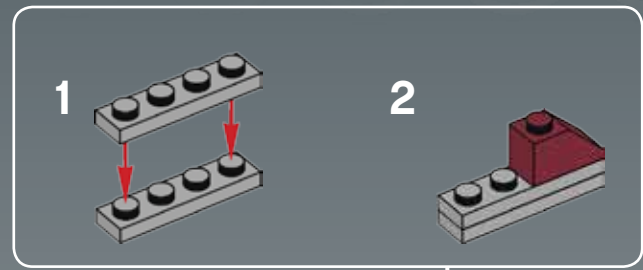
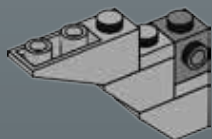
1



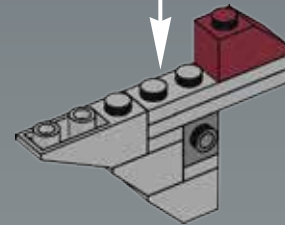
2



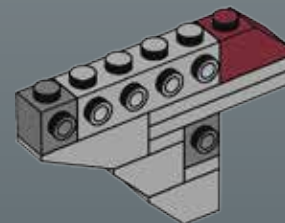
3

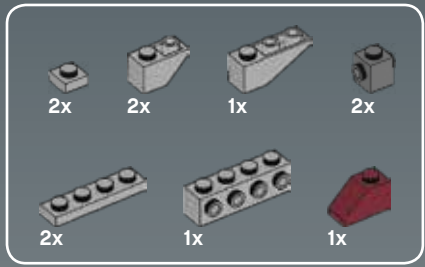


4

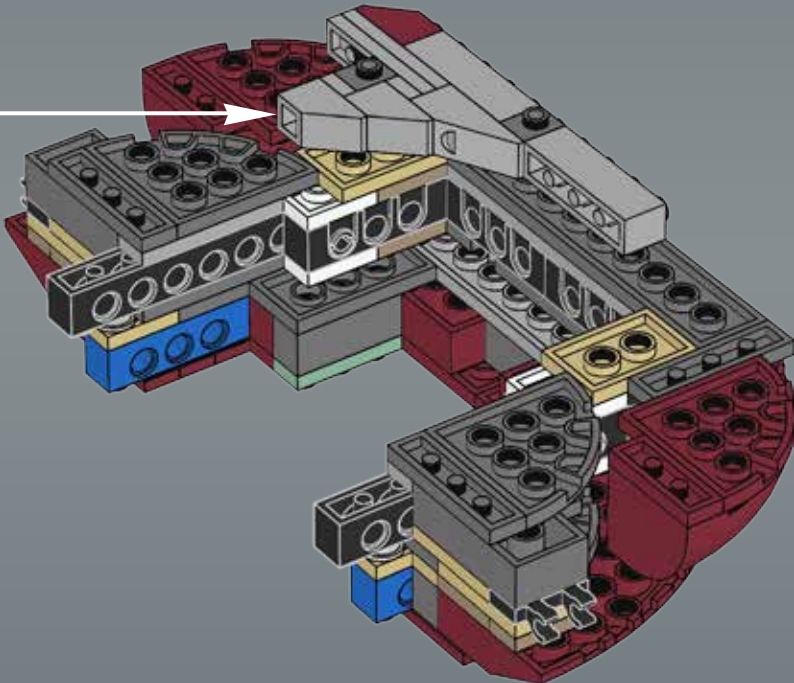


5

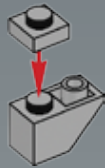




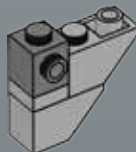
21



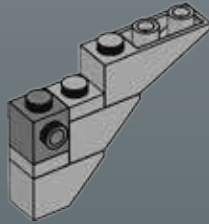
1

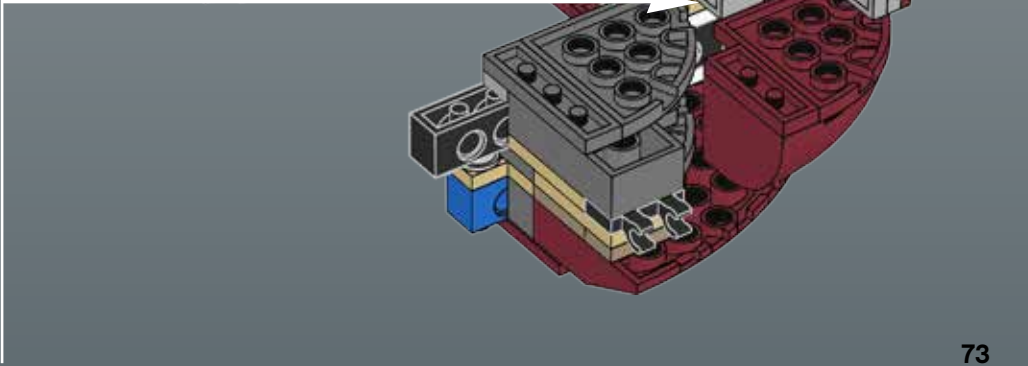
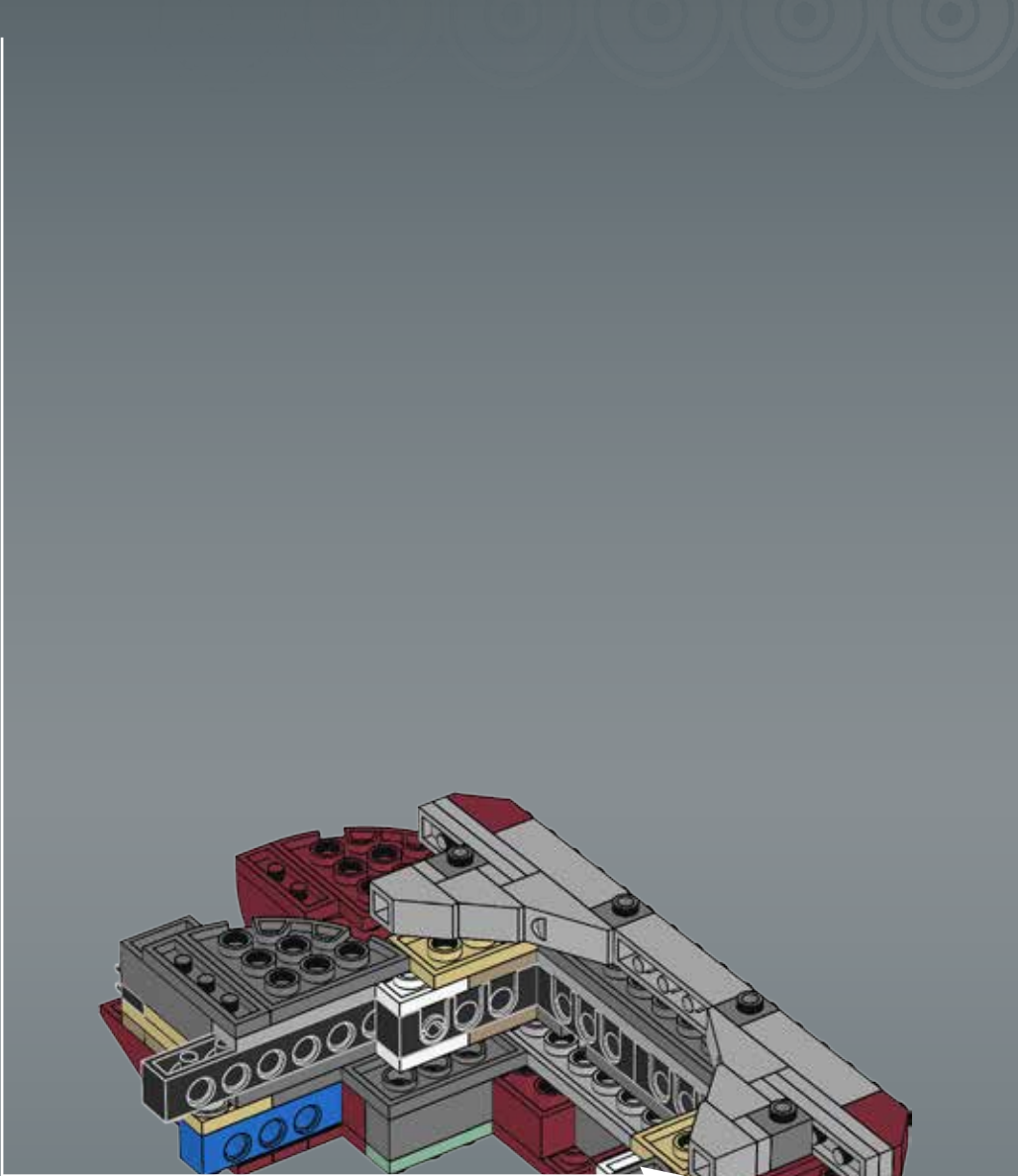
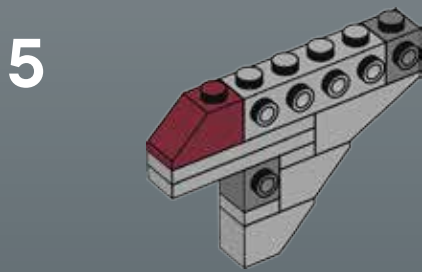
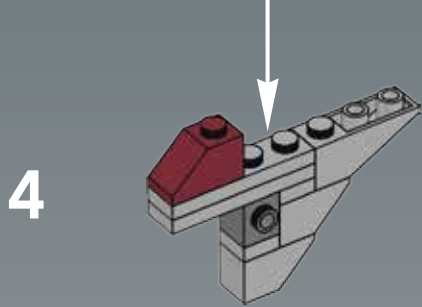
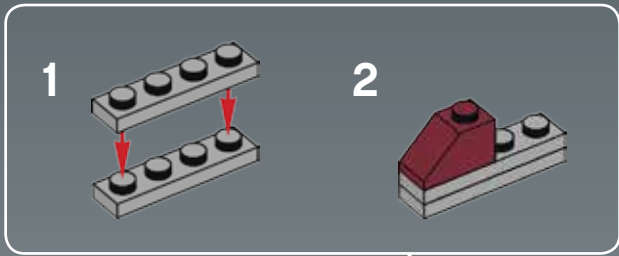


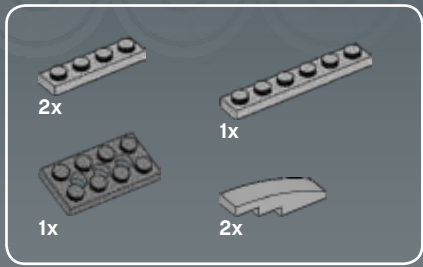
2



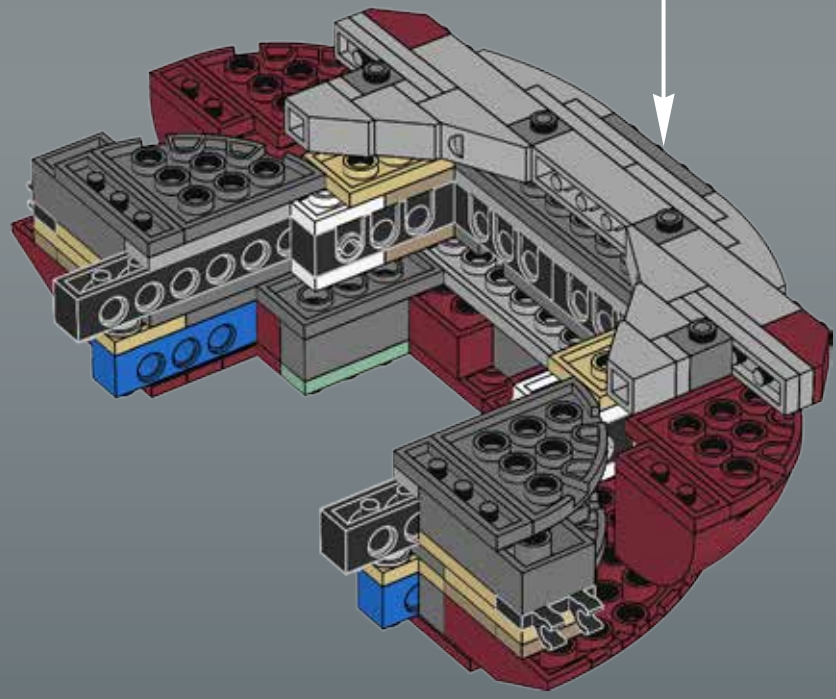
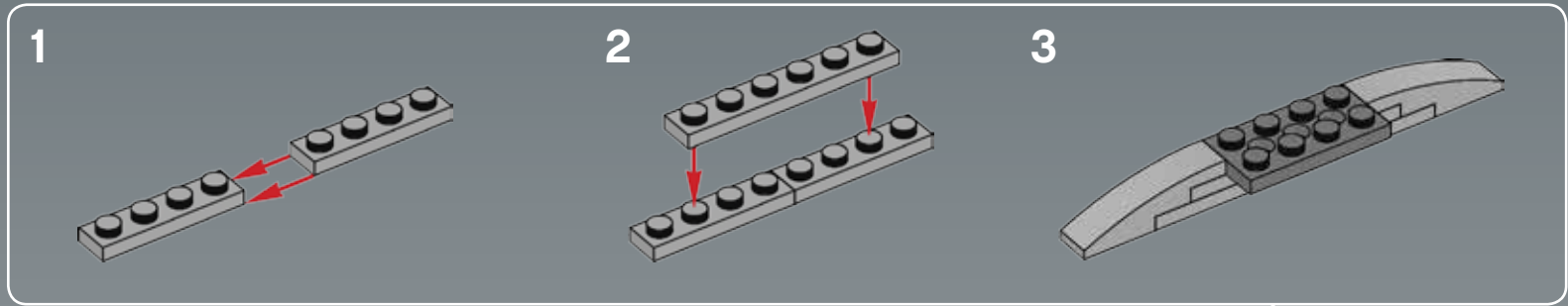
3

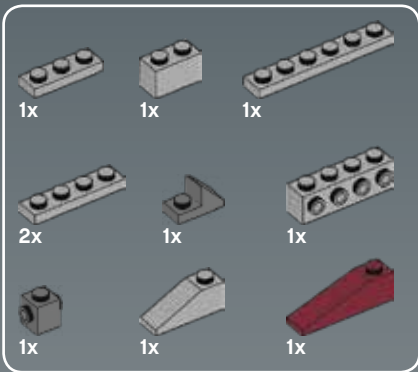




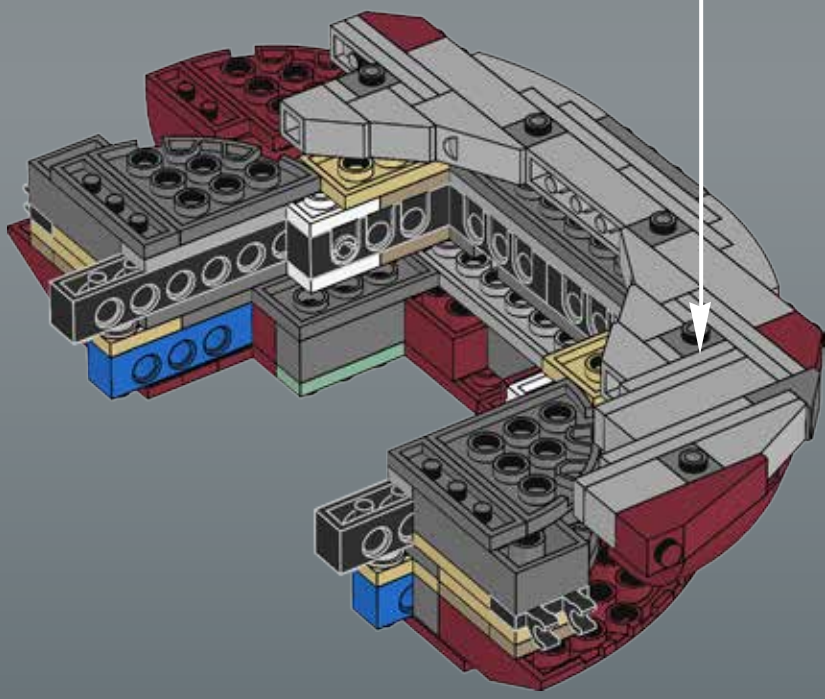
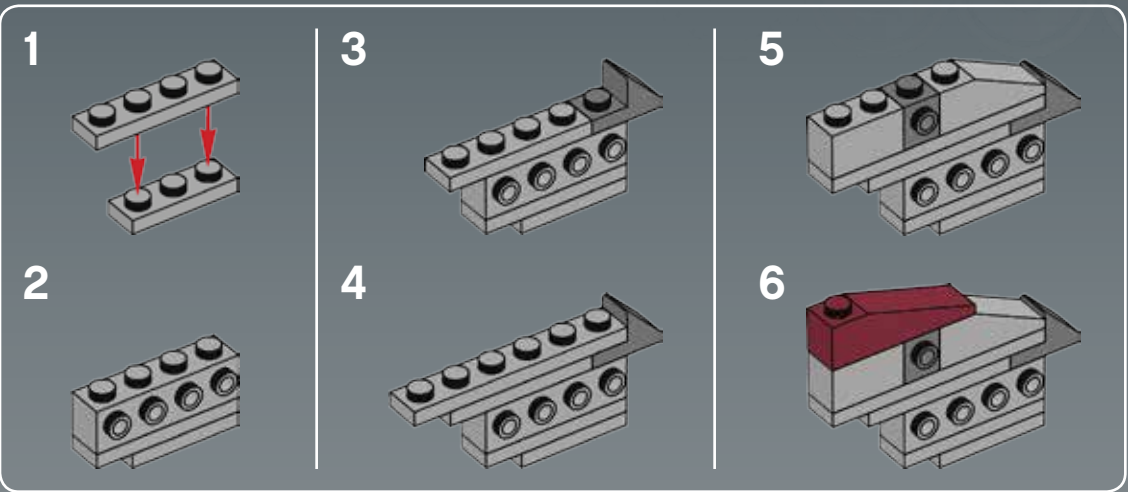


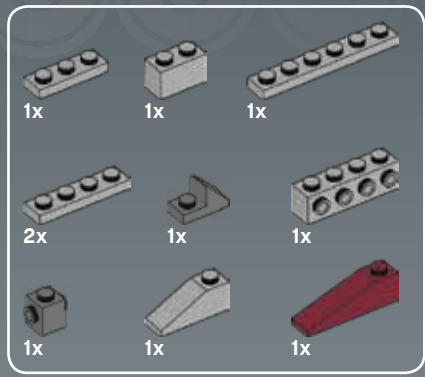
22



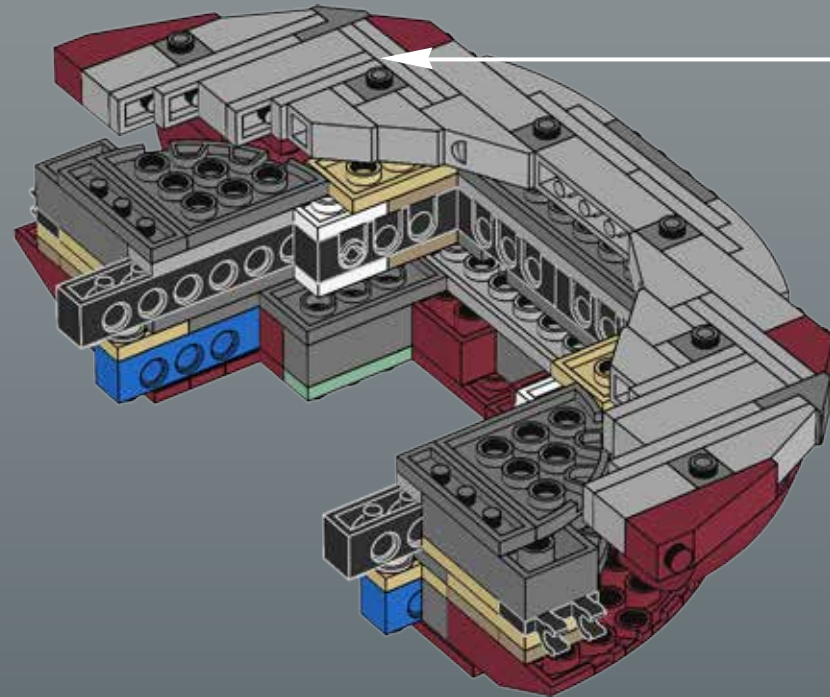
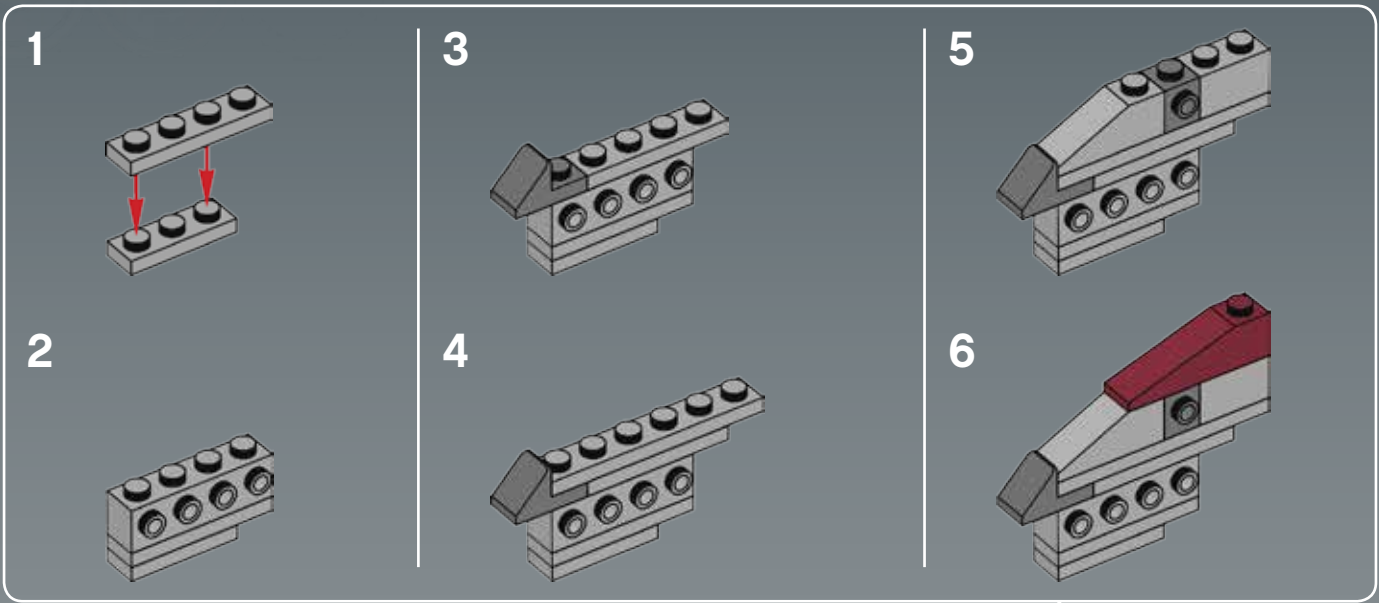


23



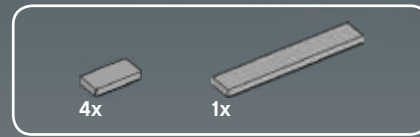
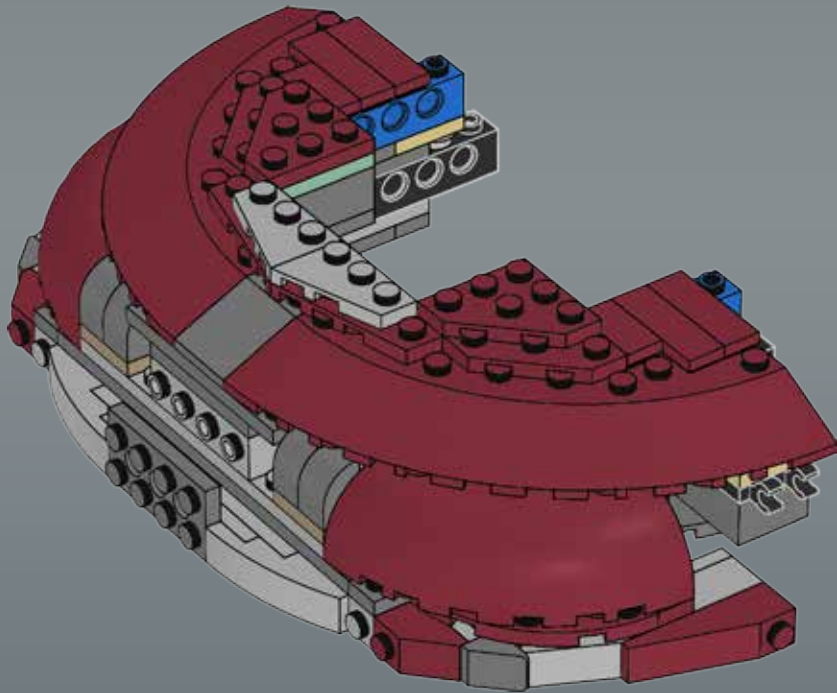


24

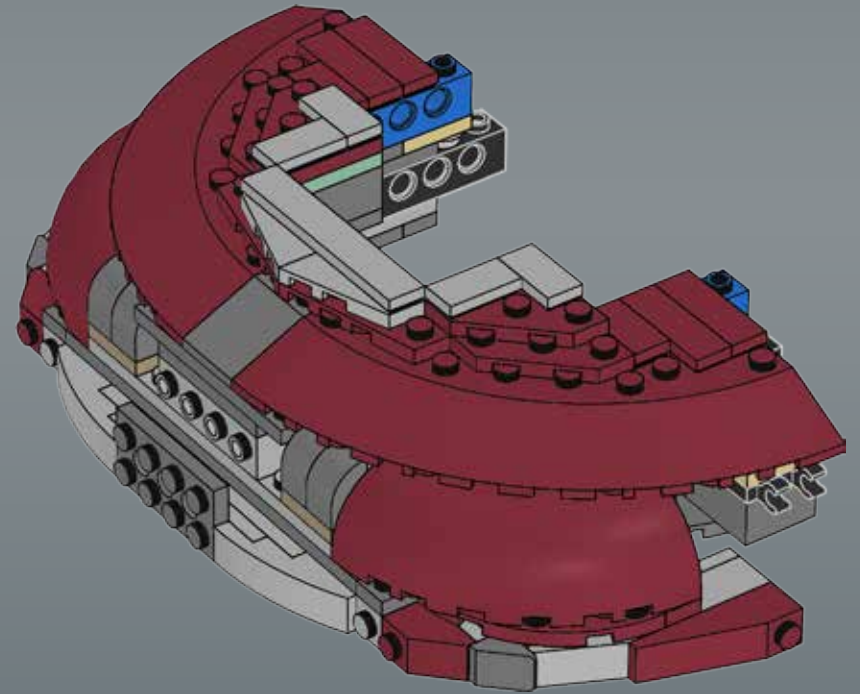




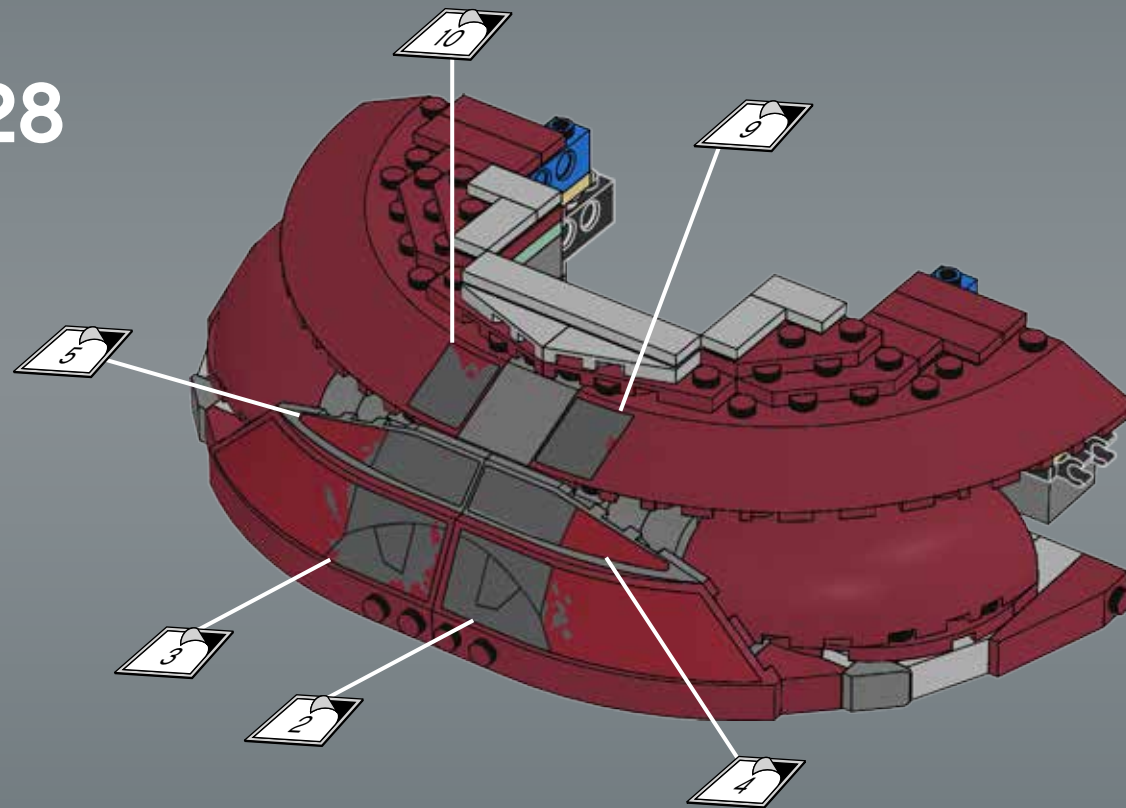
25

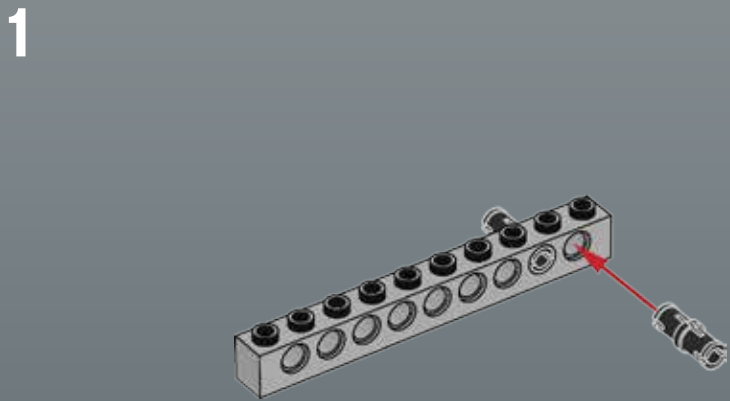
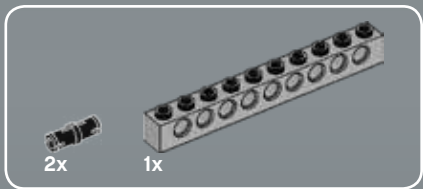
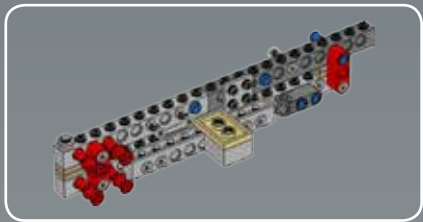
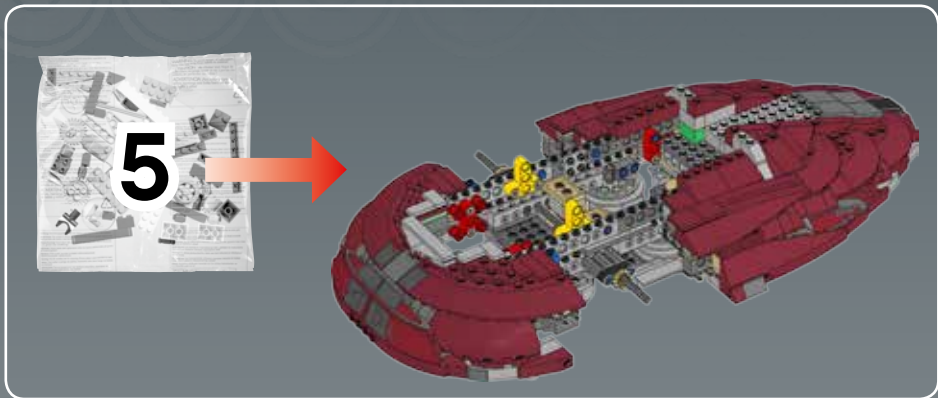


26

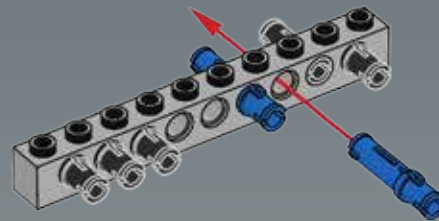


28

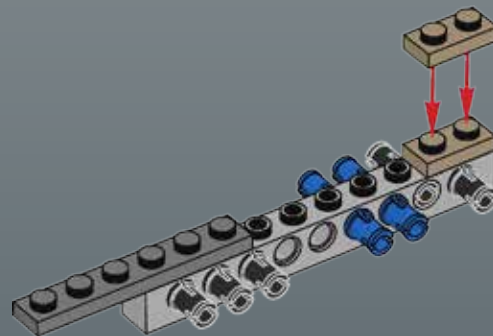


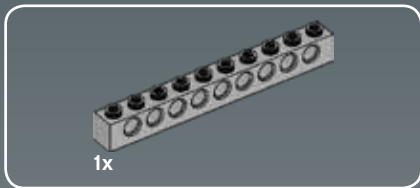


2

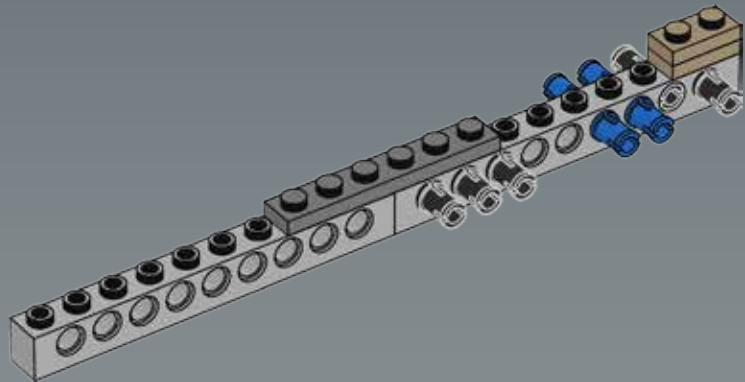


3

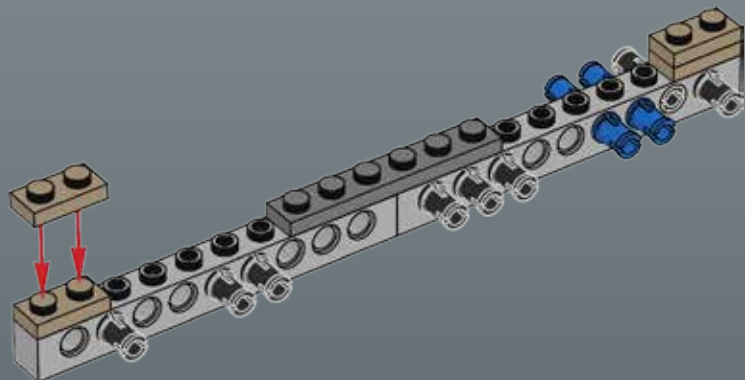




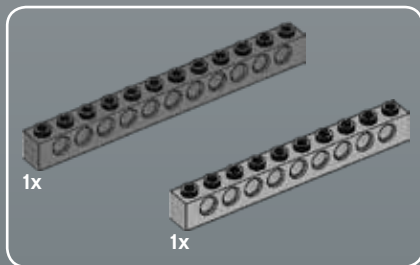
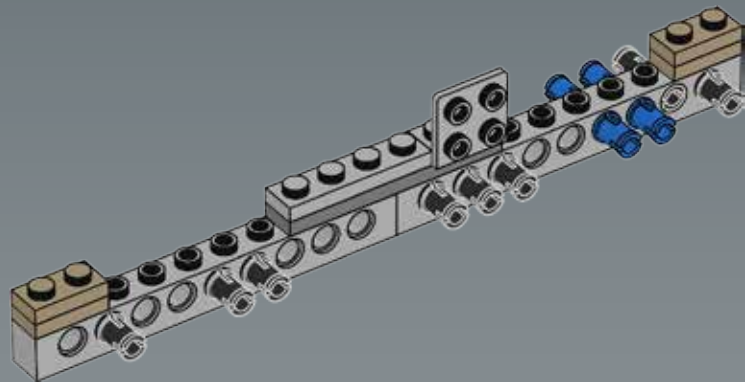
4



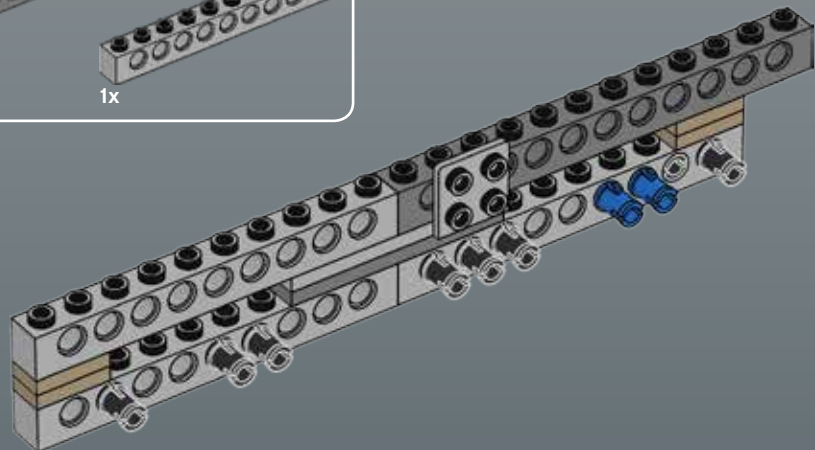
5



6

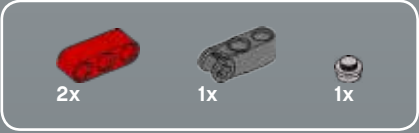
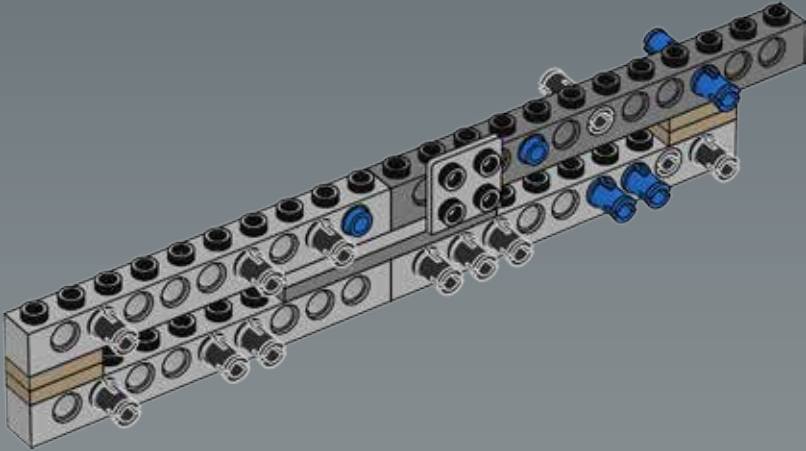


7

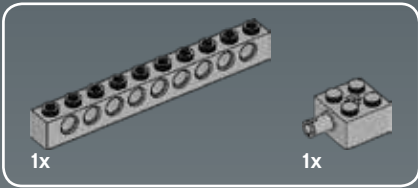
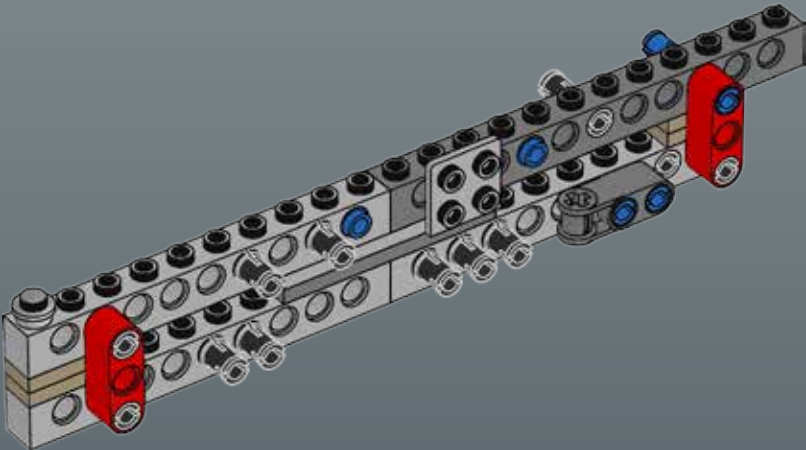




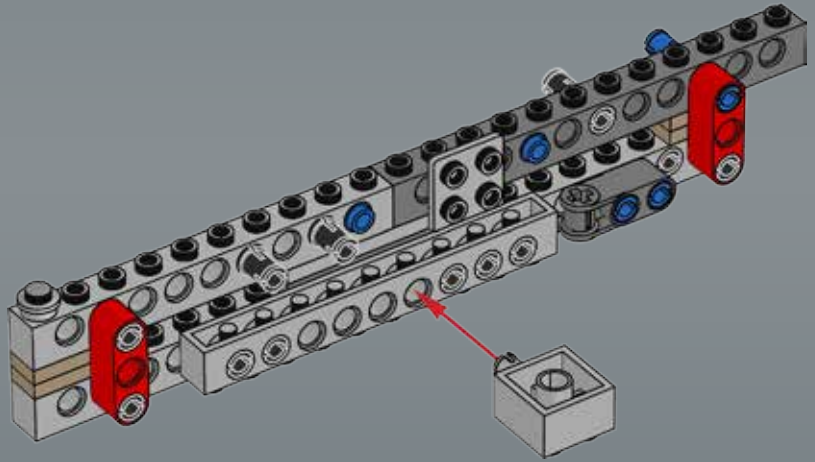
8



9

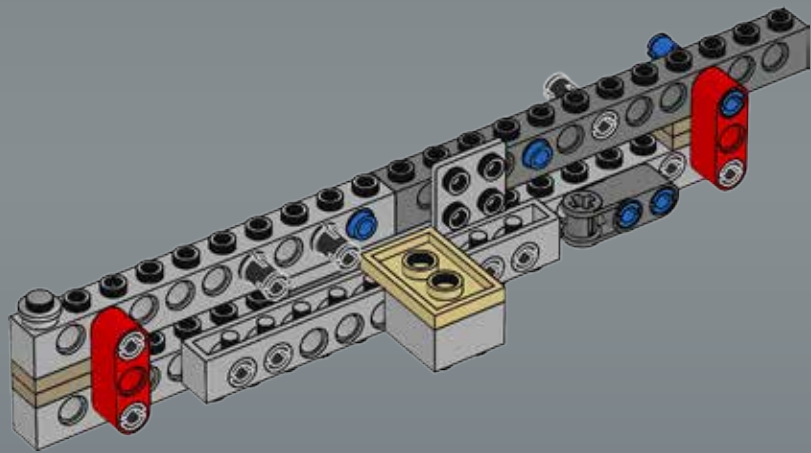


10

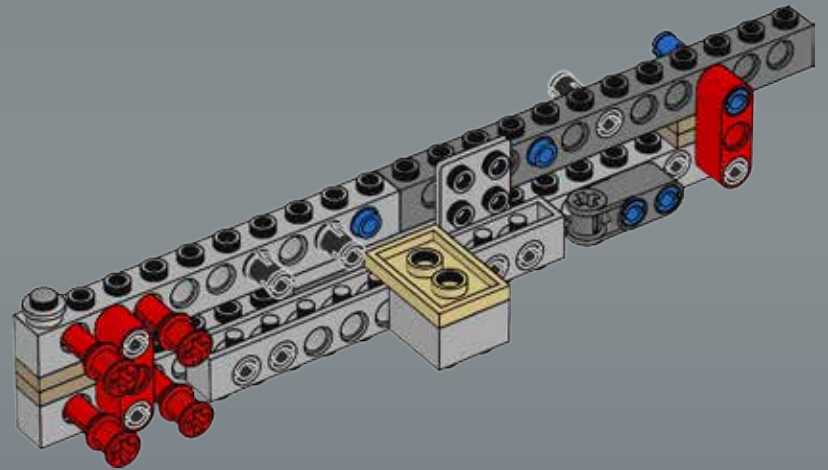




11

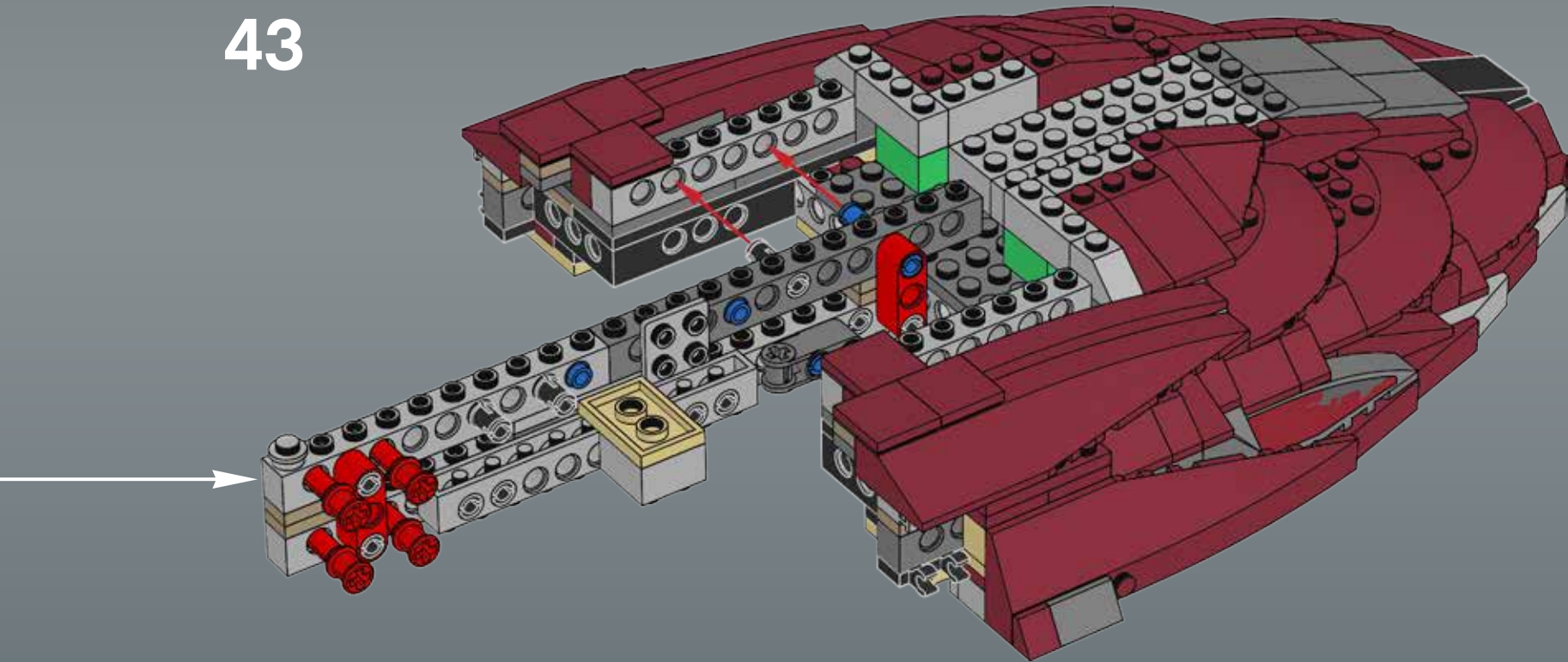


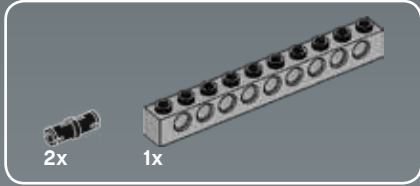
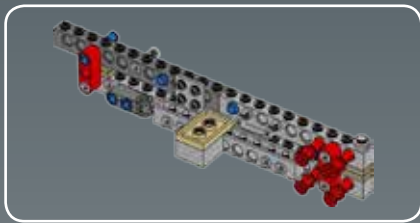
12



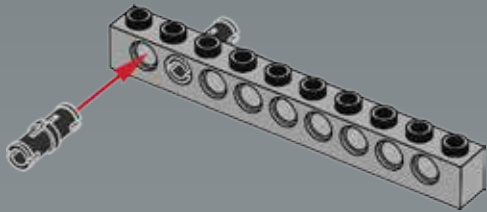


43

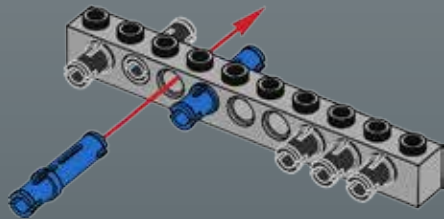




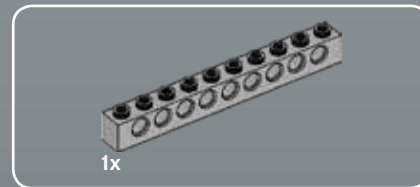
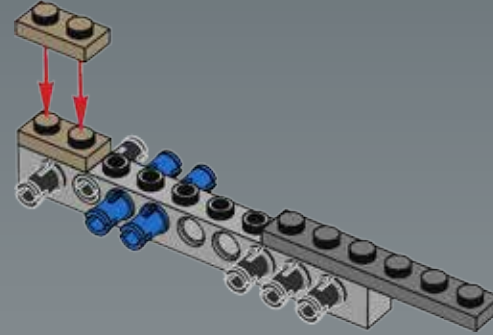
1



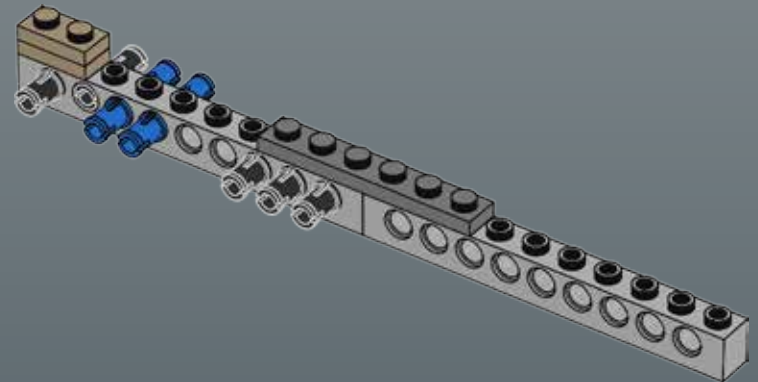
2



3

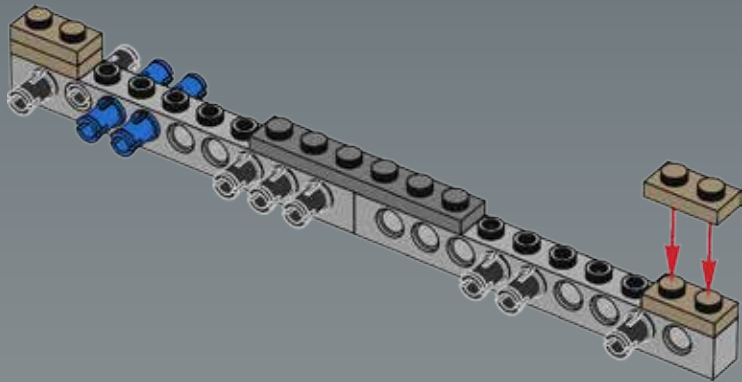


4

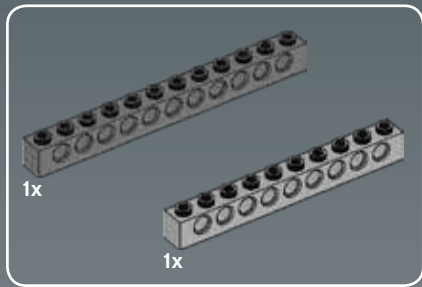
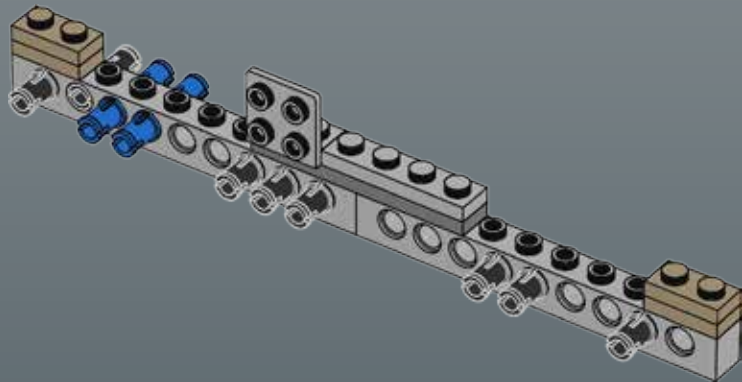




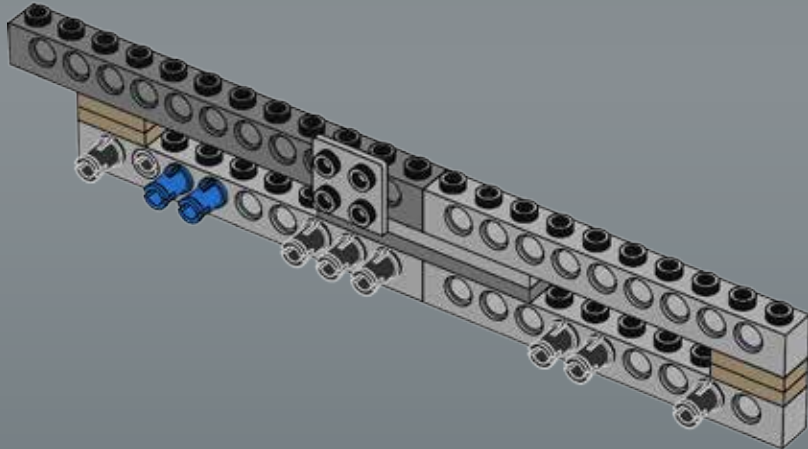
5

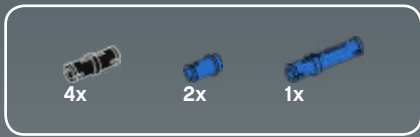


6

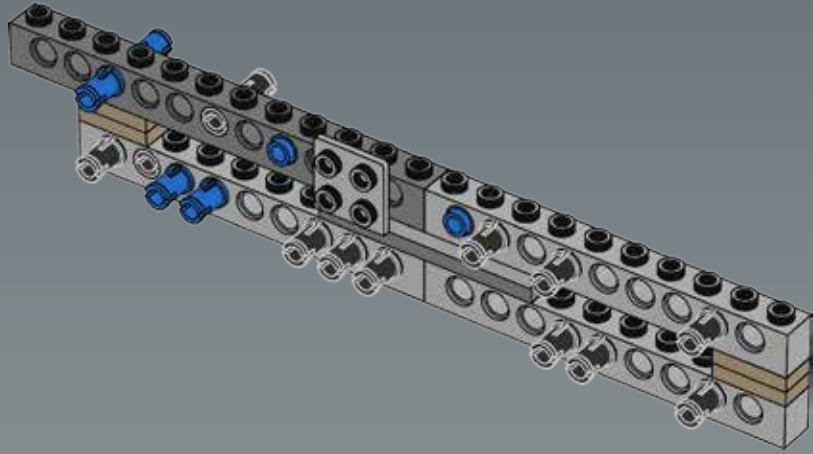


7

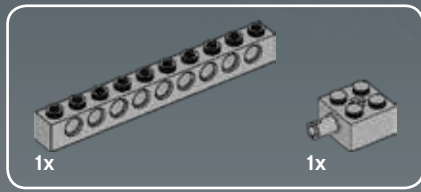
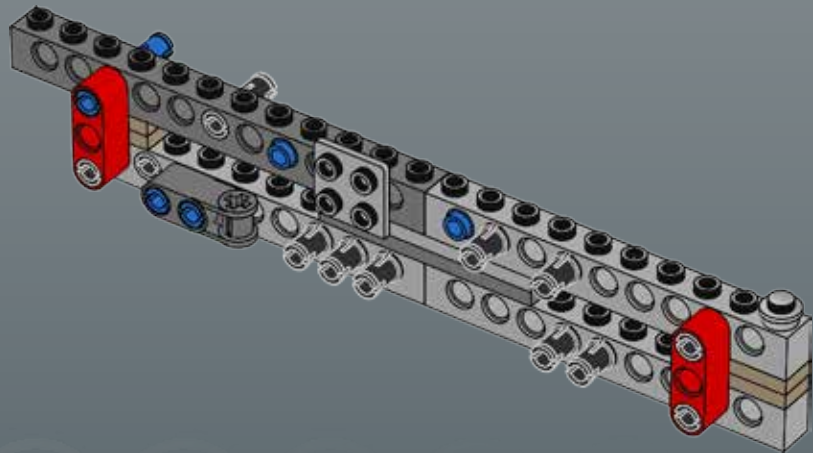




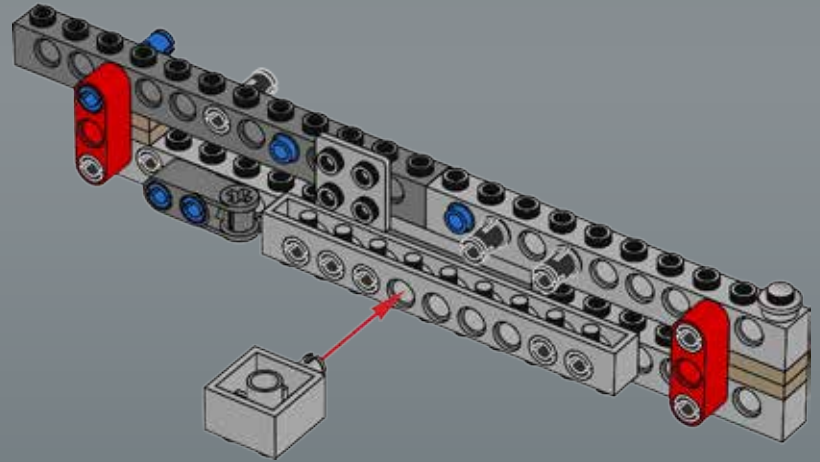
8



9

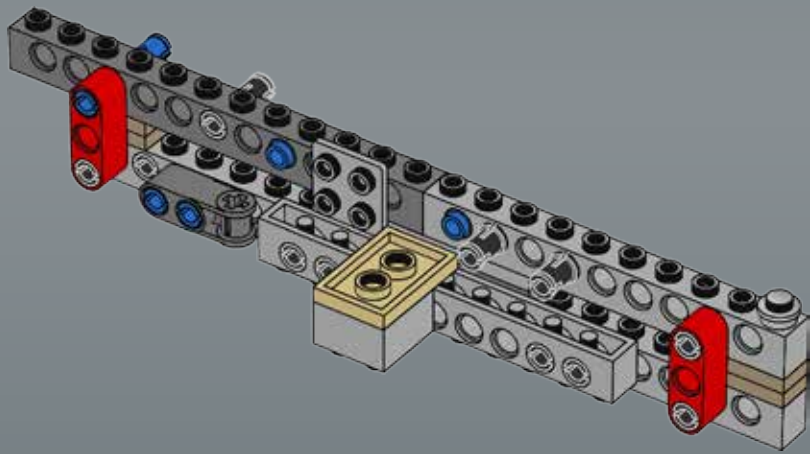


10

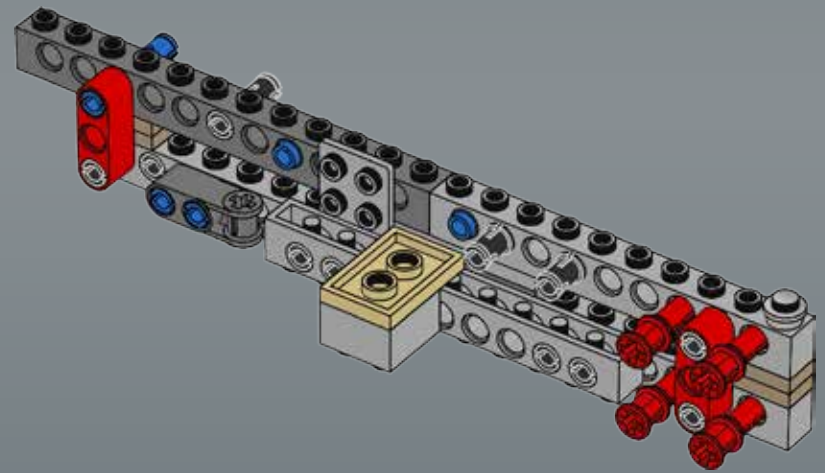




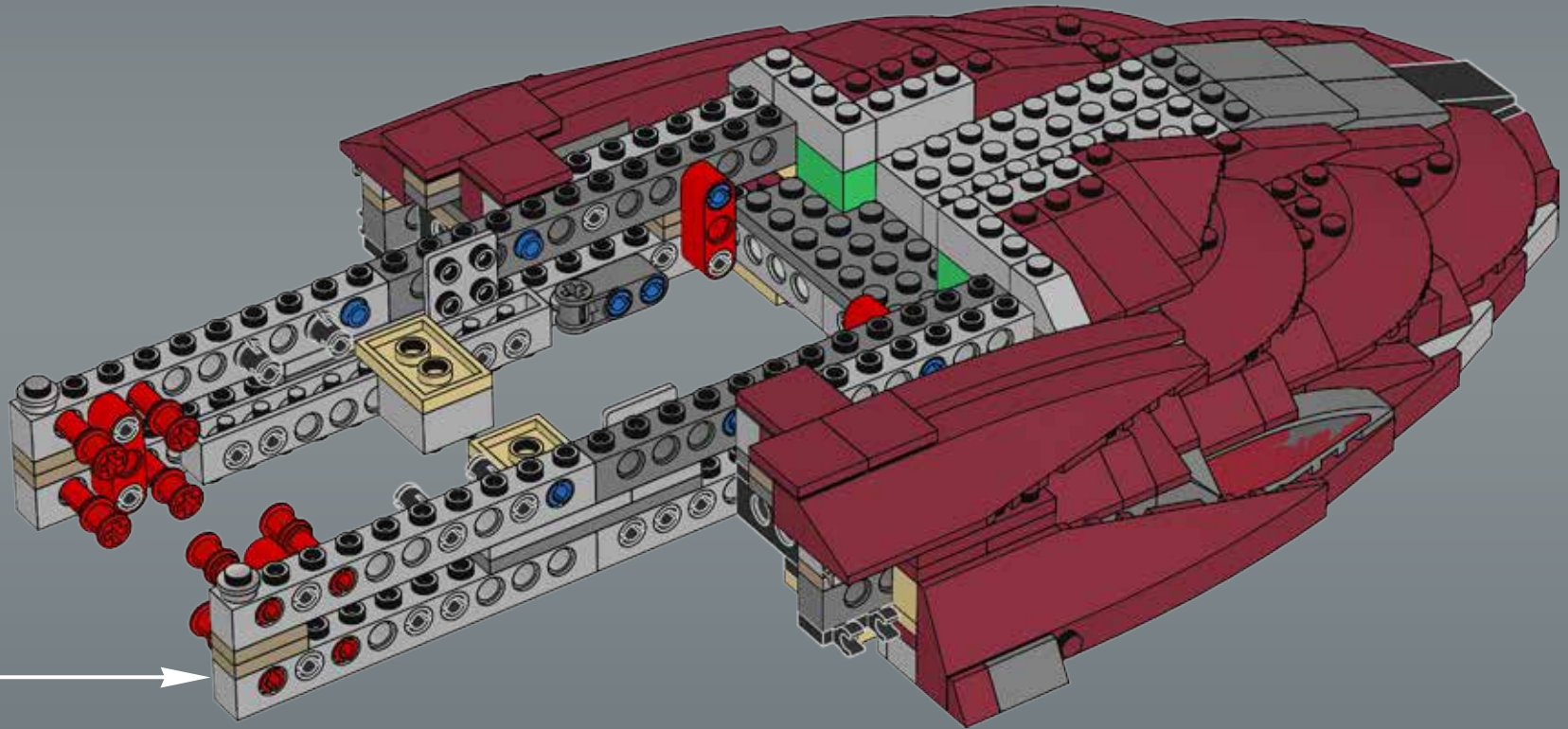
11



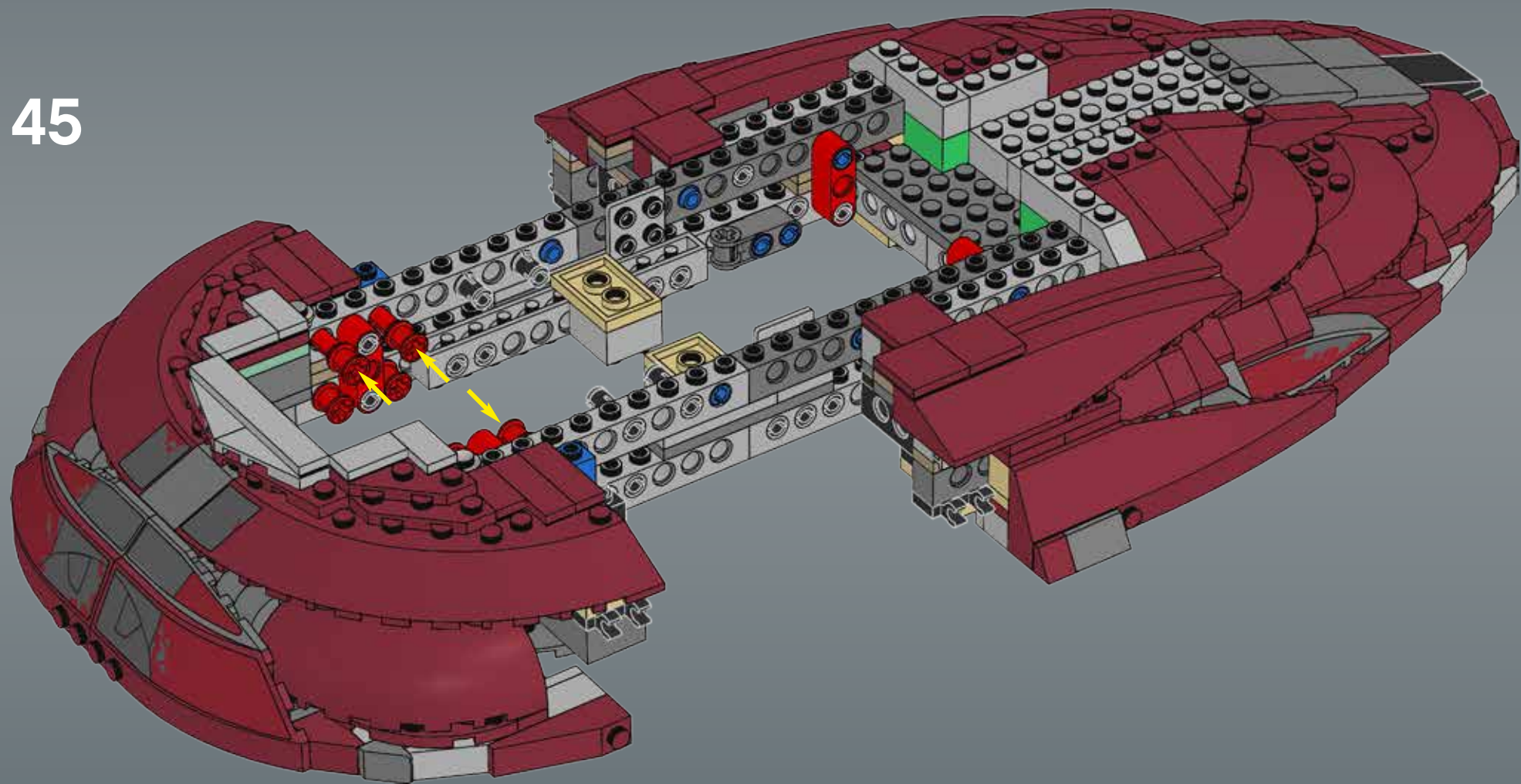
12



44

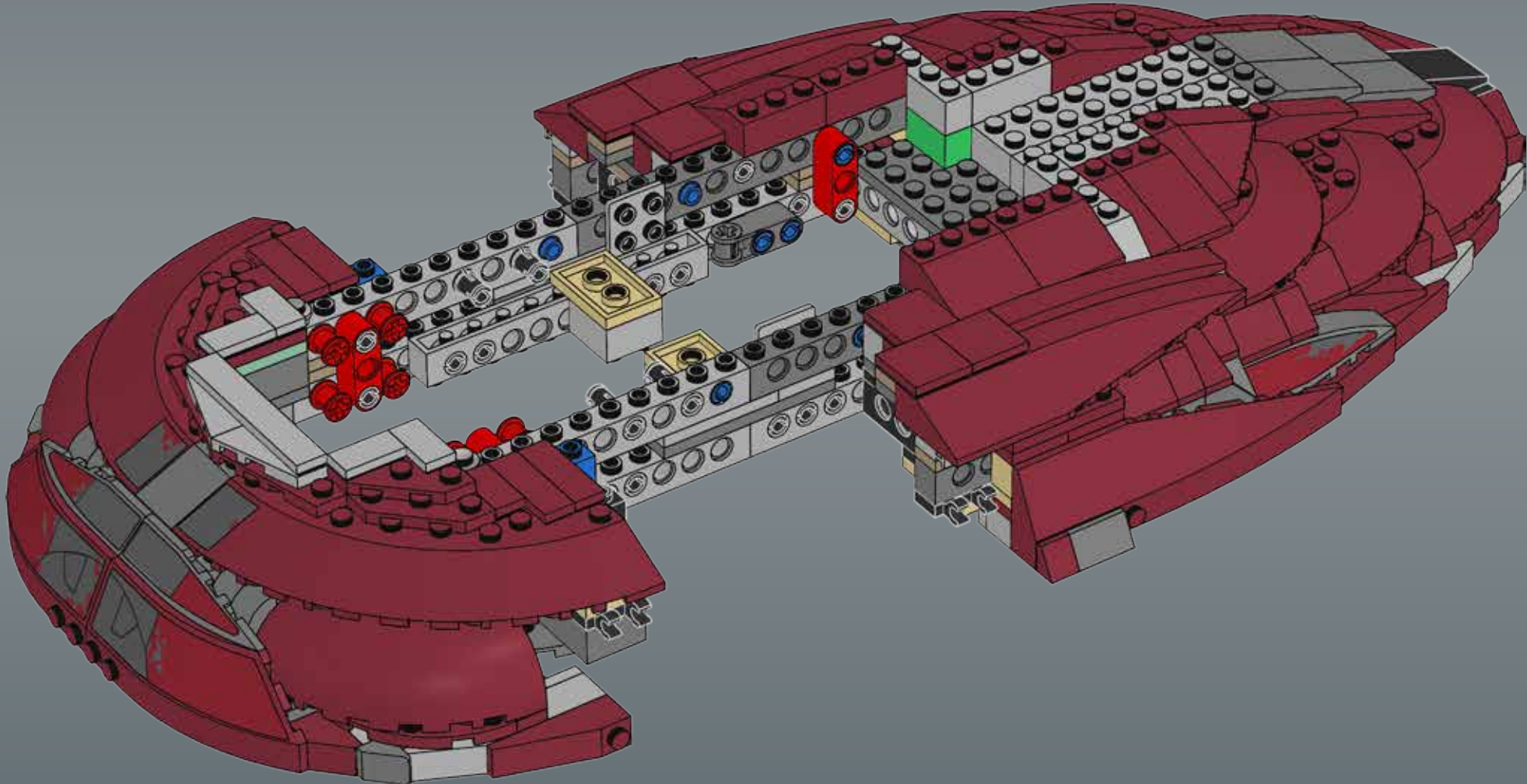


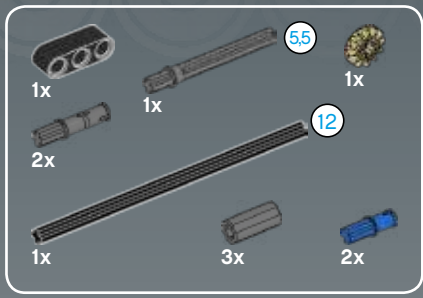
45





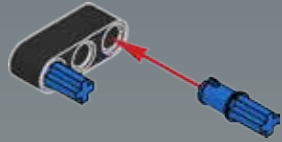
46



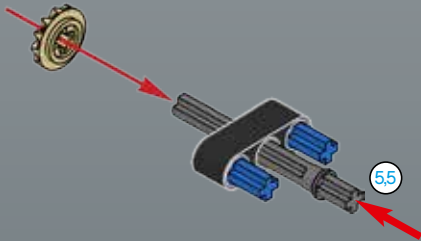


47

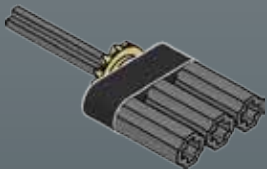
1



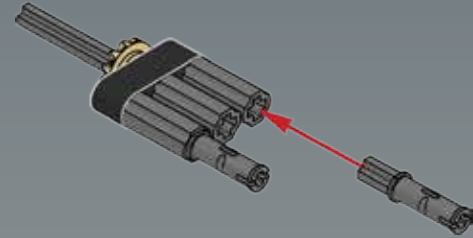
2



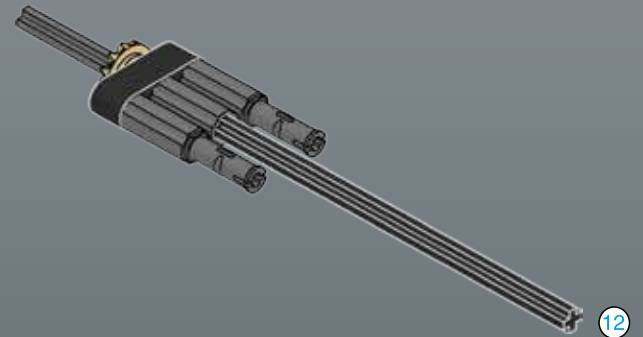
3

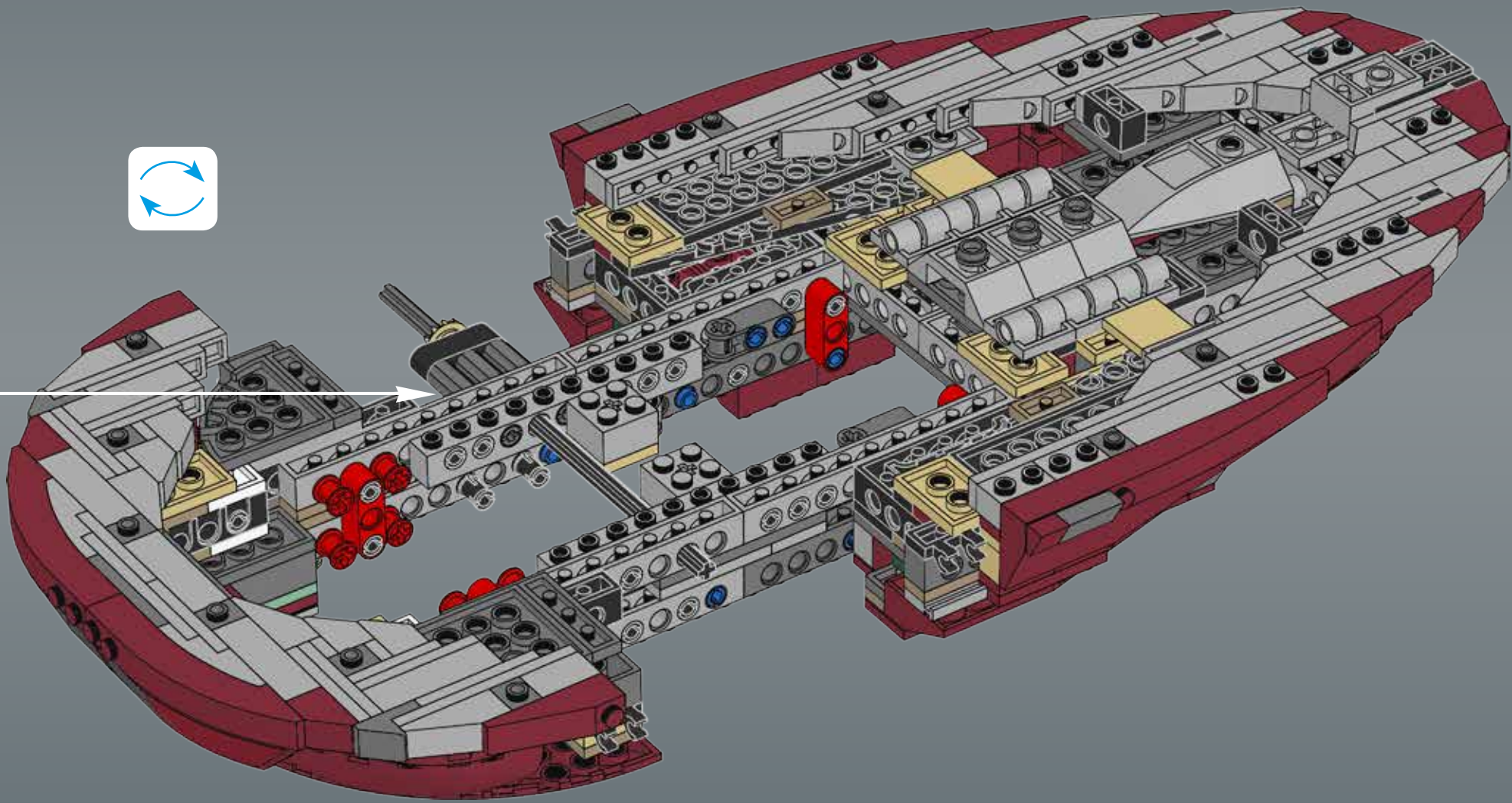


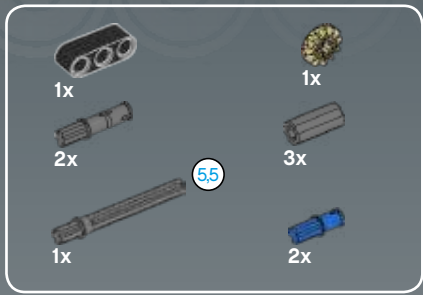
4



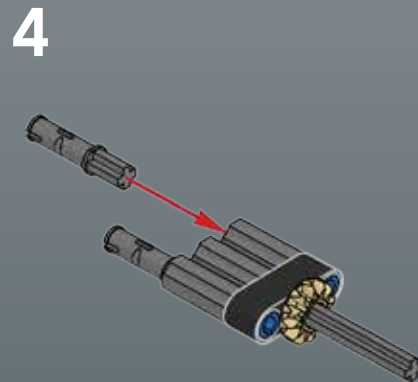
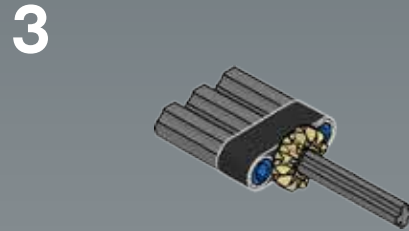
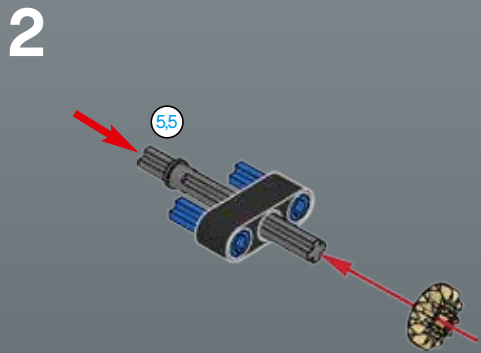
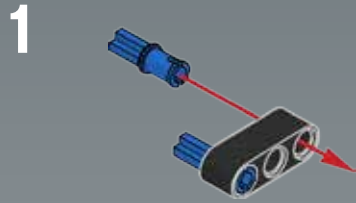
5

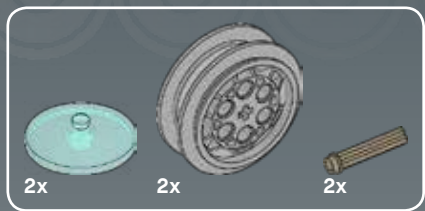




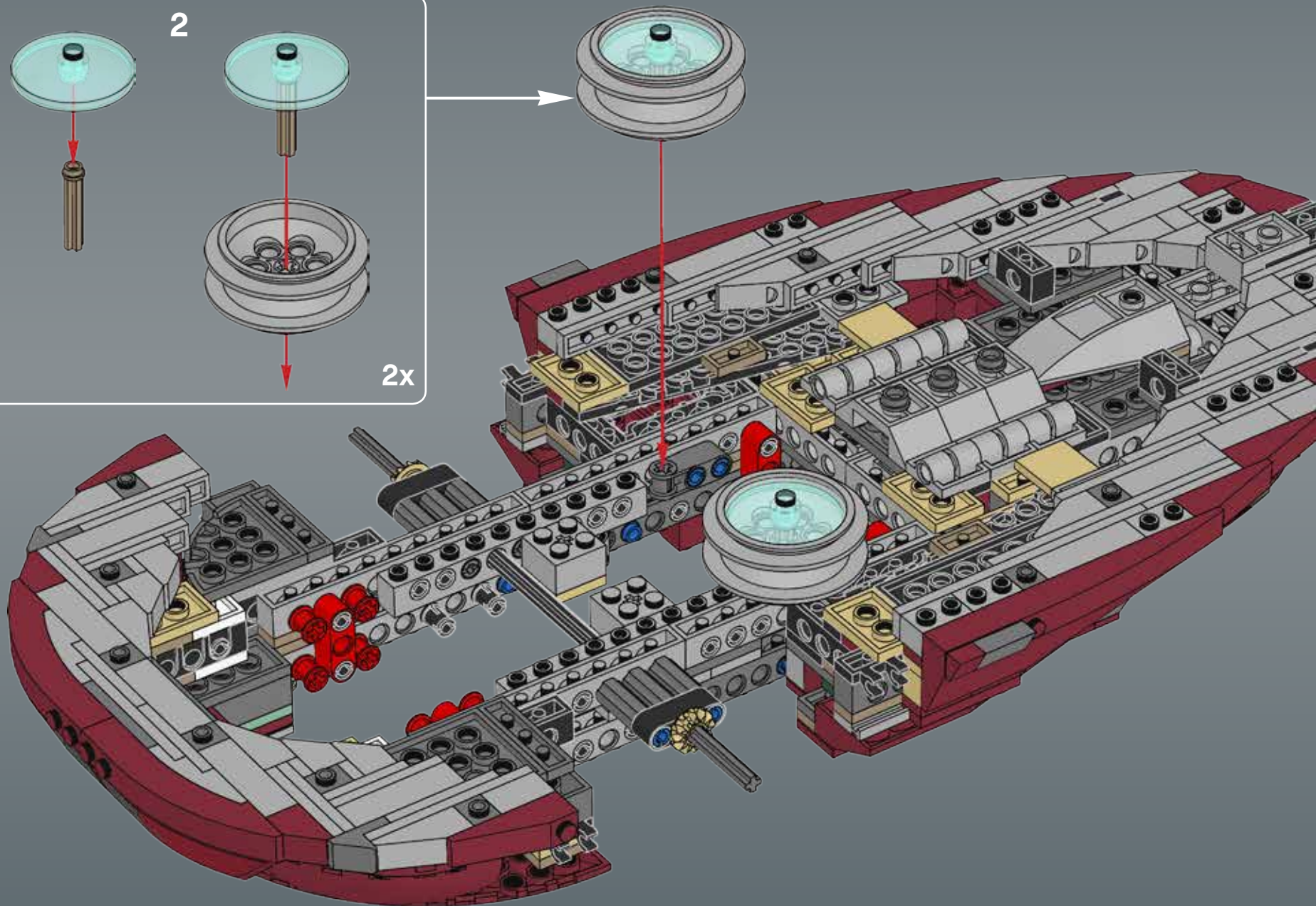
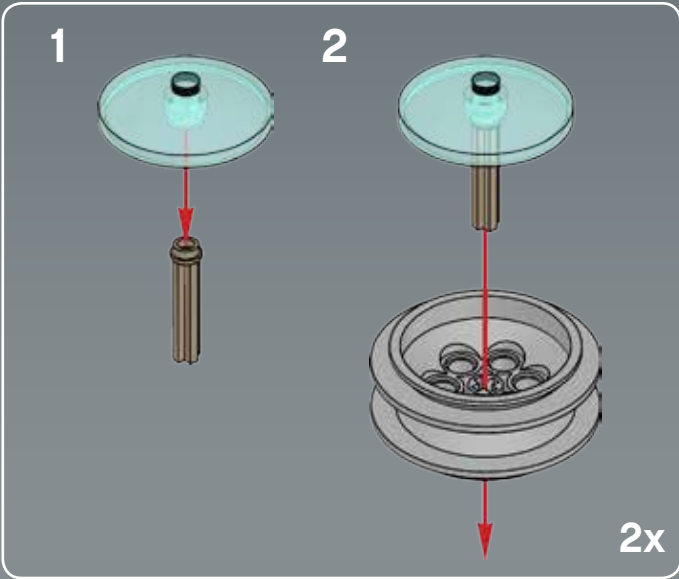


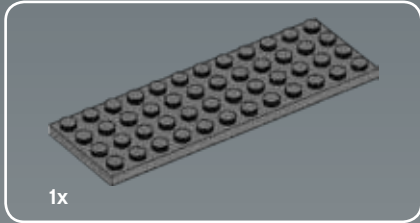
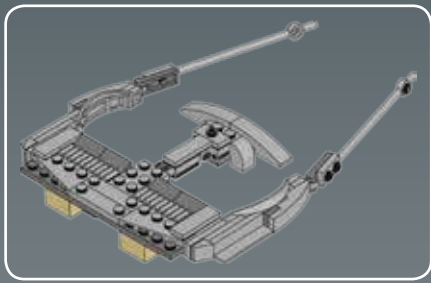
48





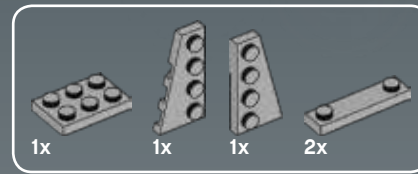
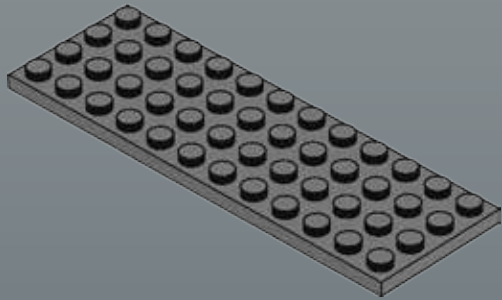
49





1x

1



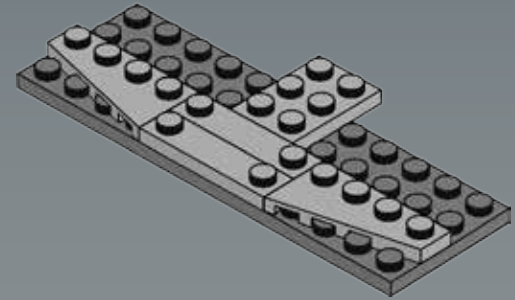
1x

1x

1x

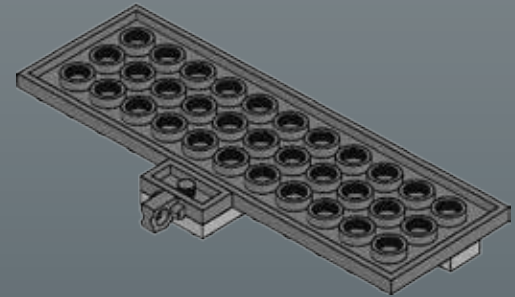
2x

2



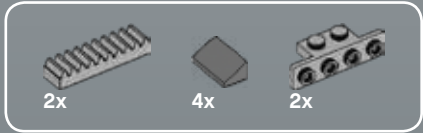
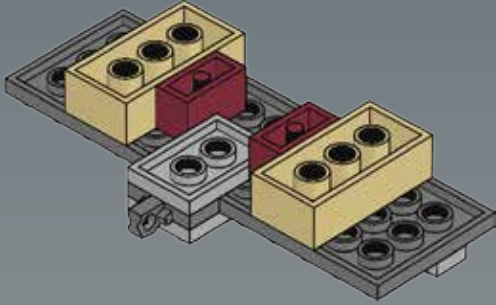
1x

3

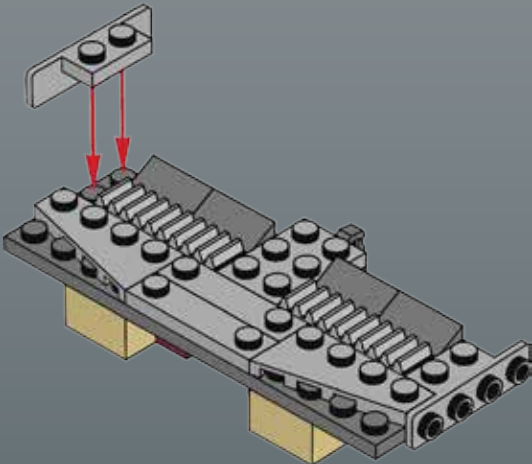




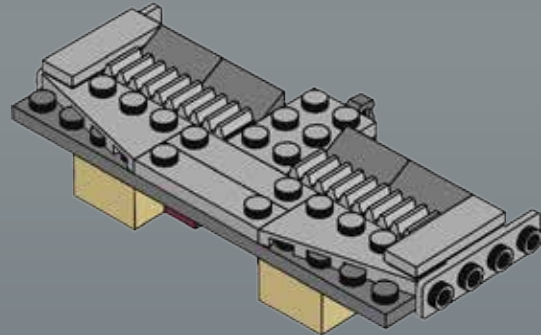
4

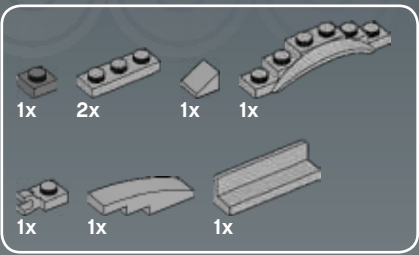


5

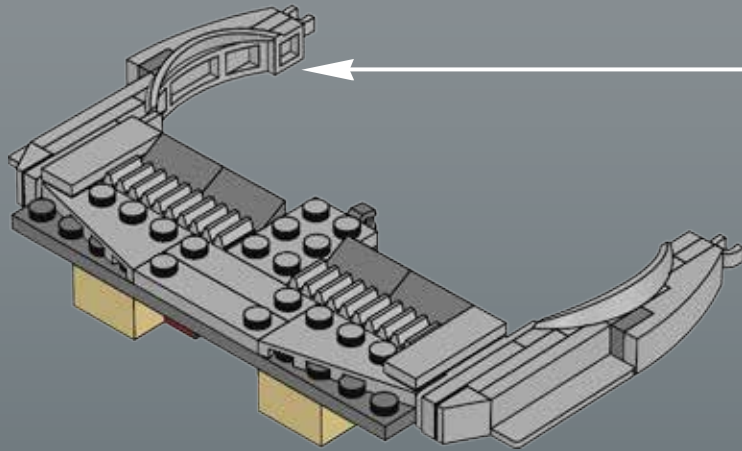
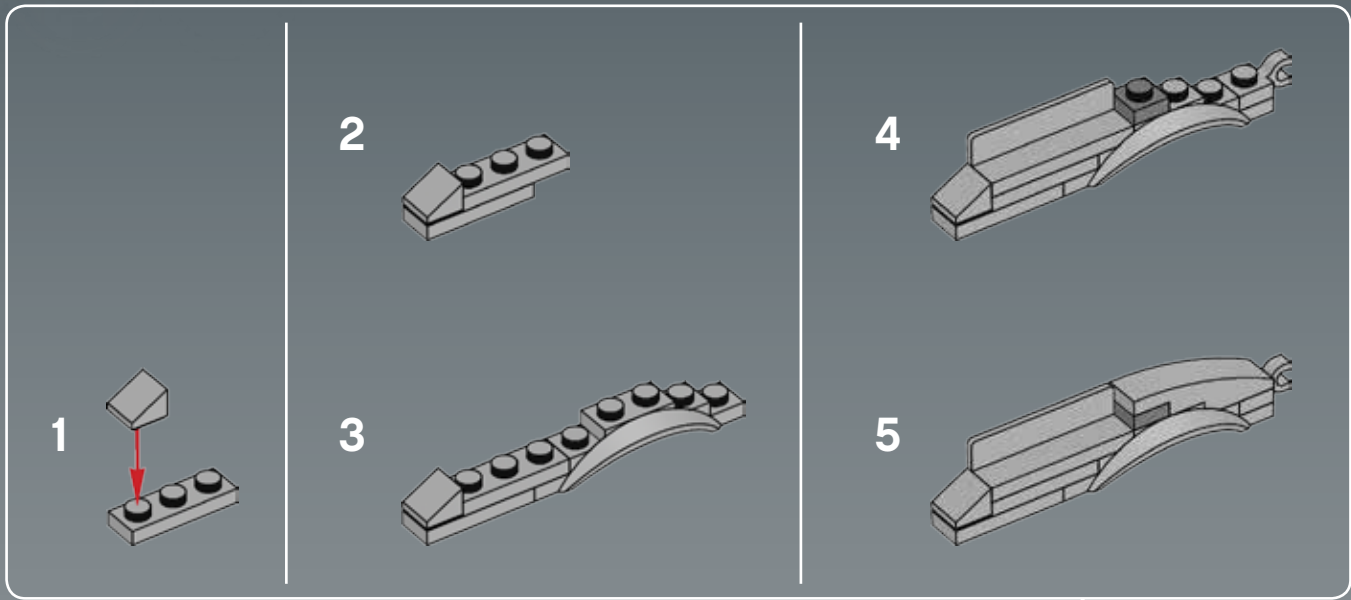


6



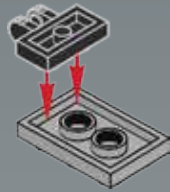


8

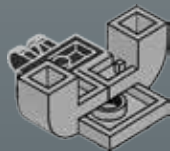




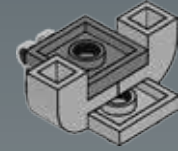
1



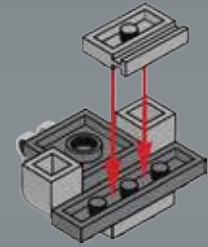
2



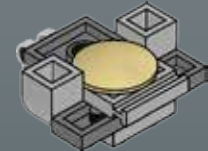
3



4

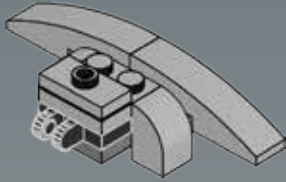


5

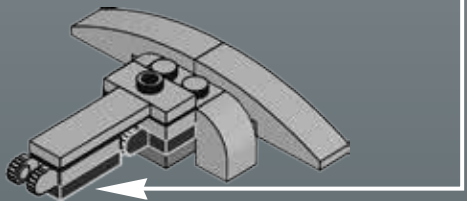
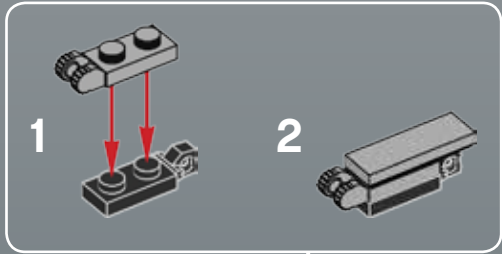




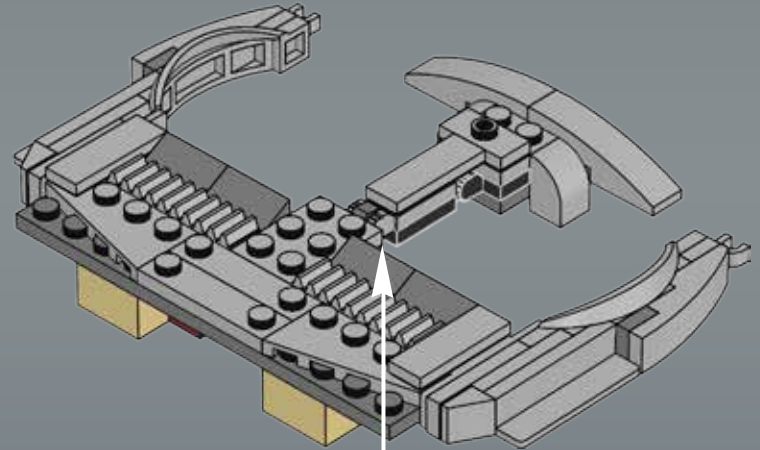
6

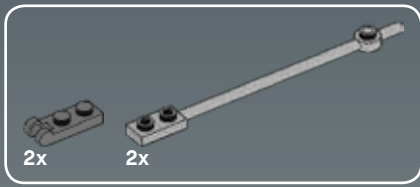


7

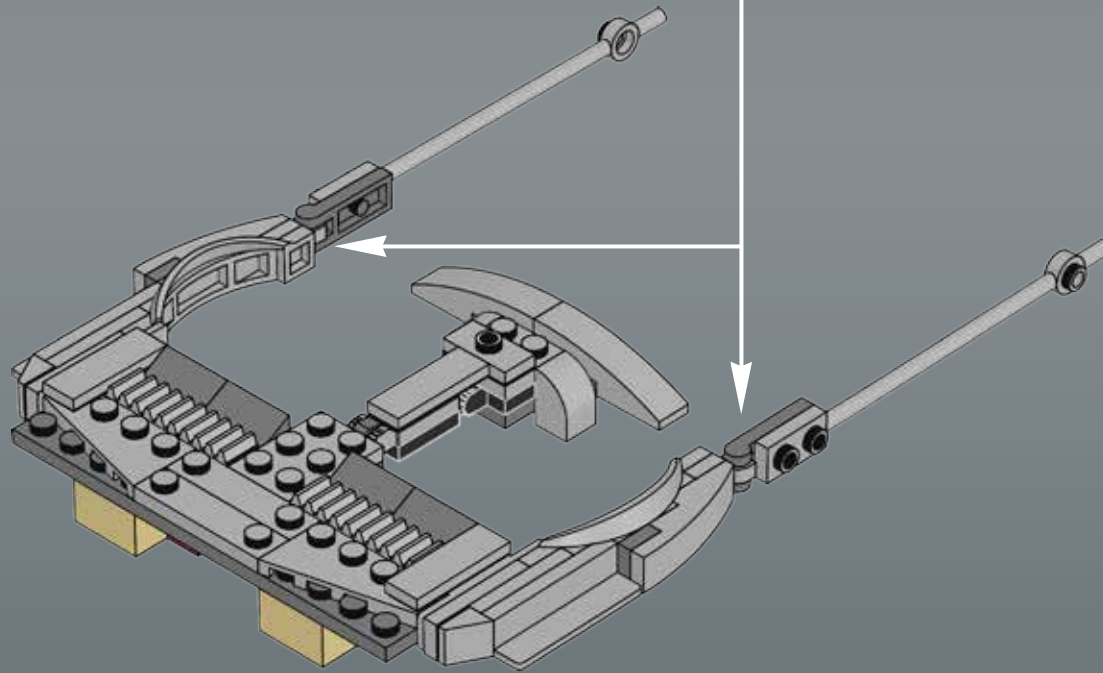
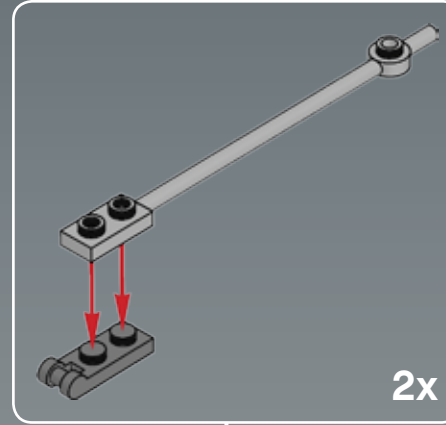


9

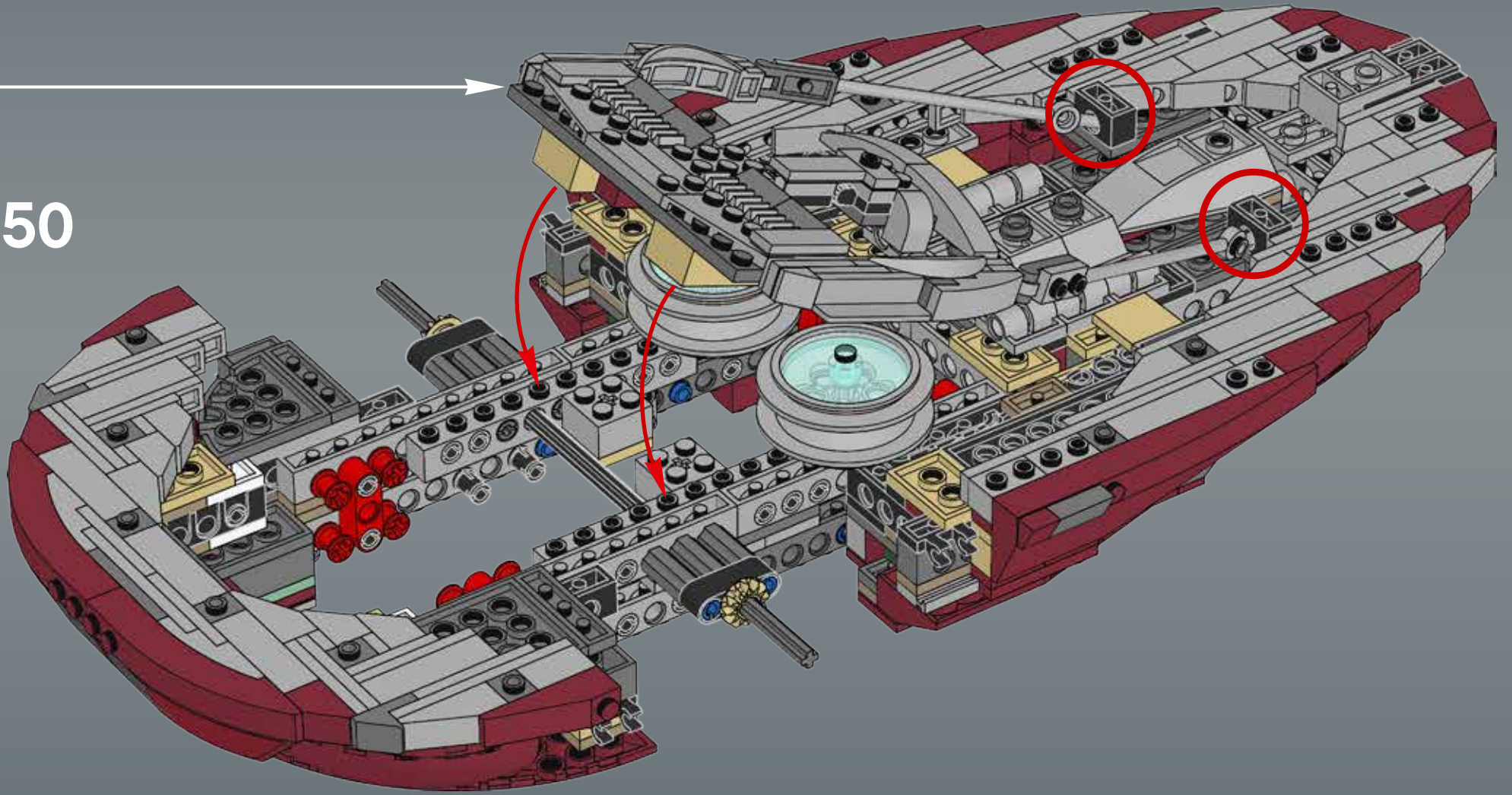


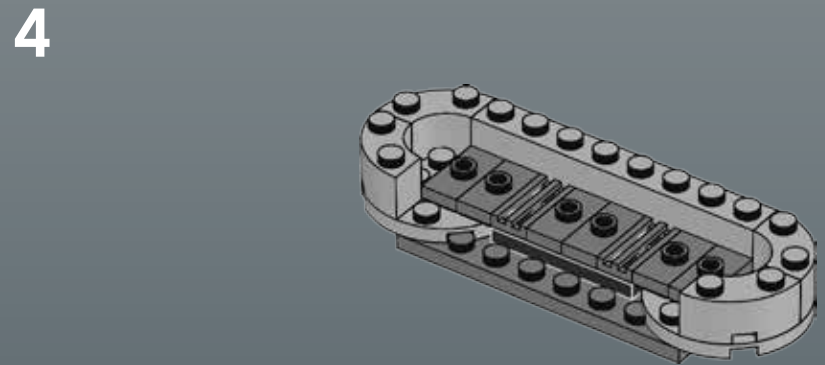
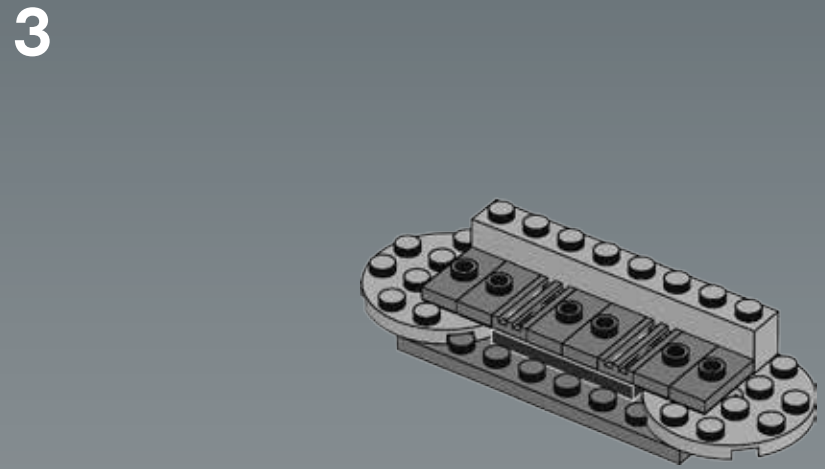
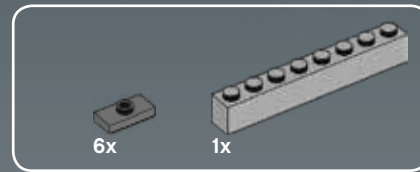
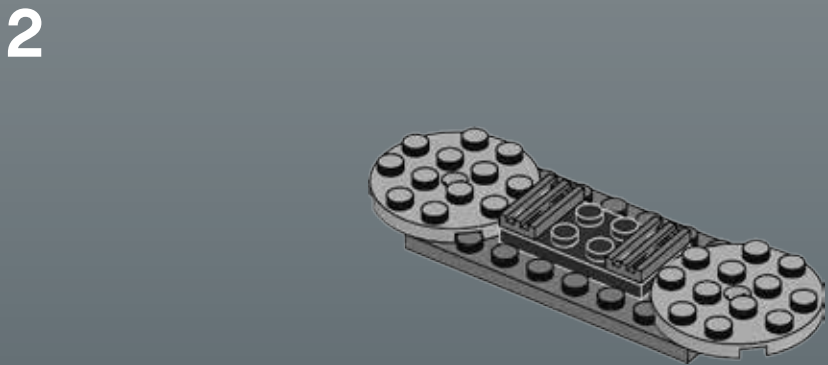
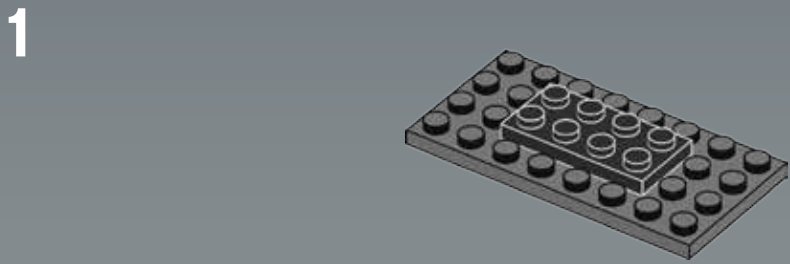
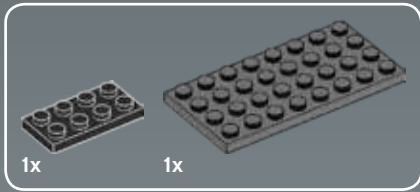
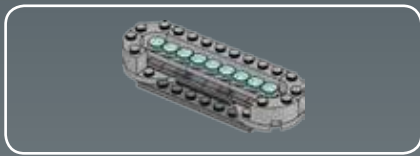


10



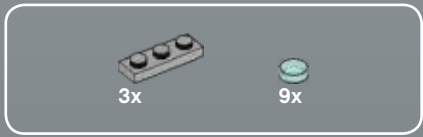
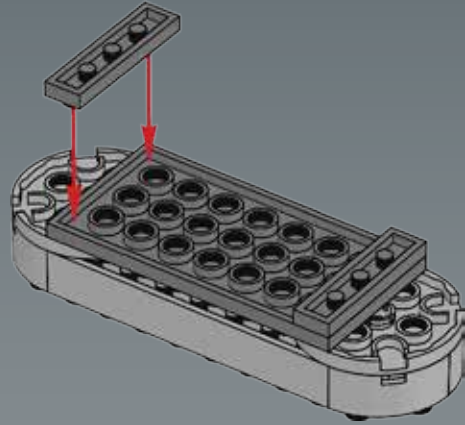
50



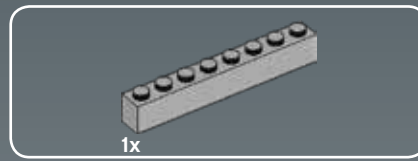
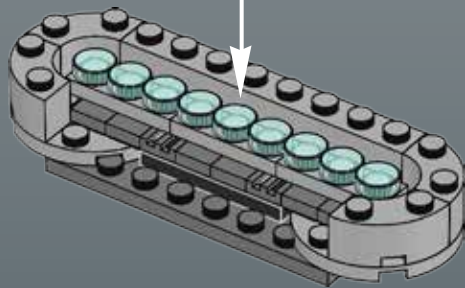
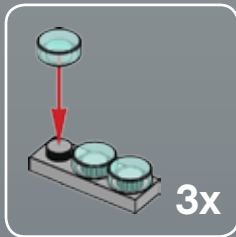




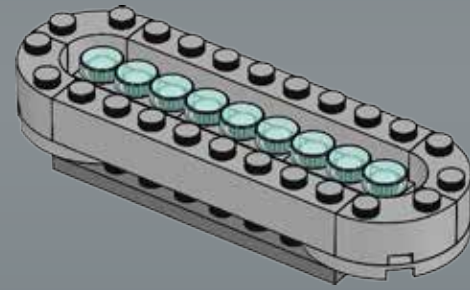
5



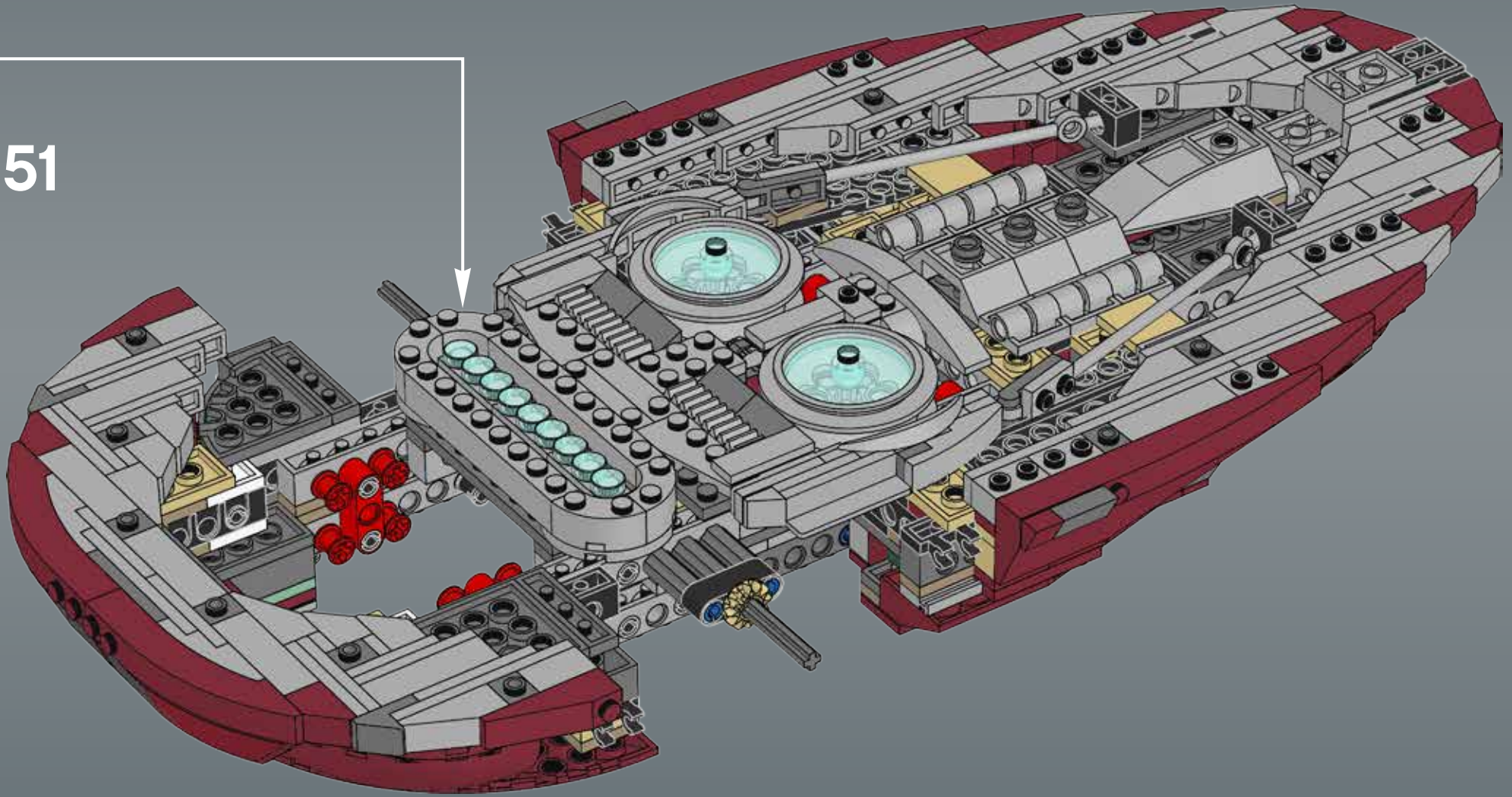
6



7

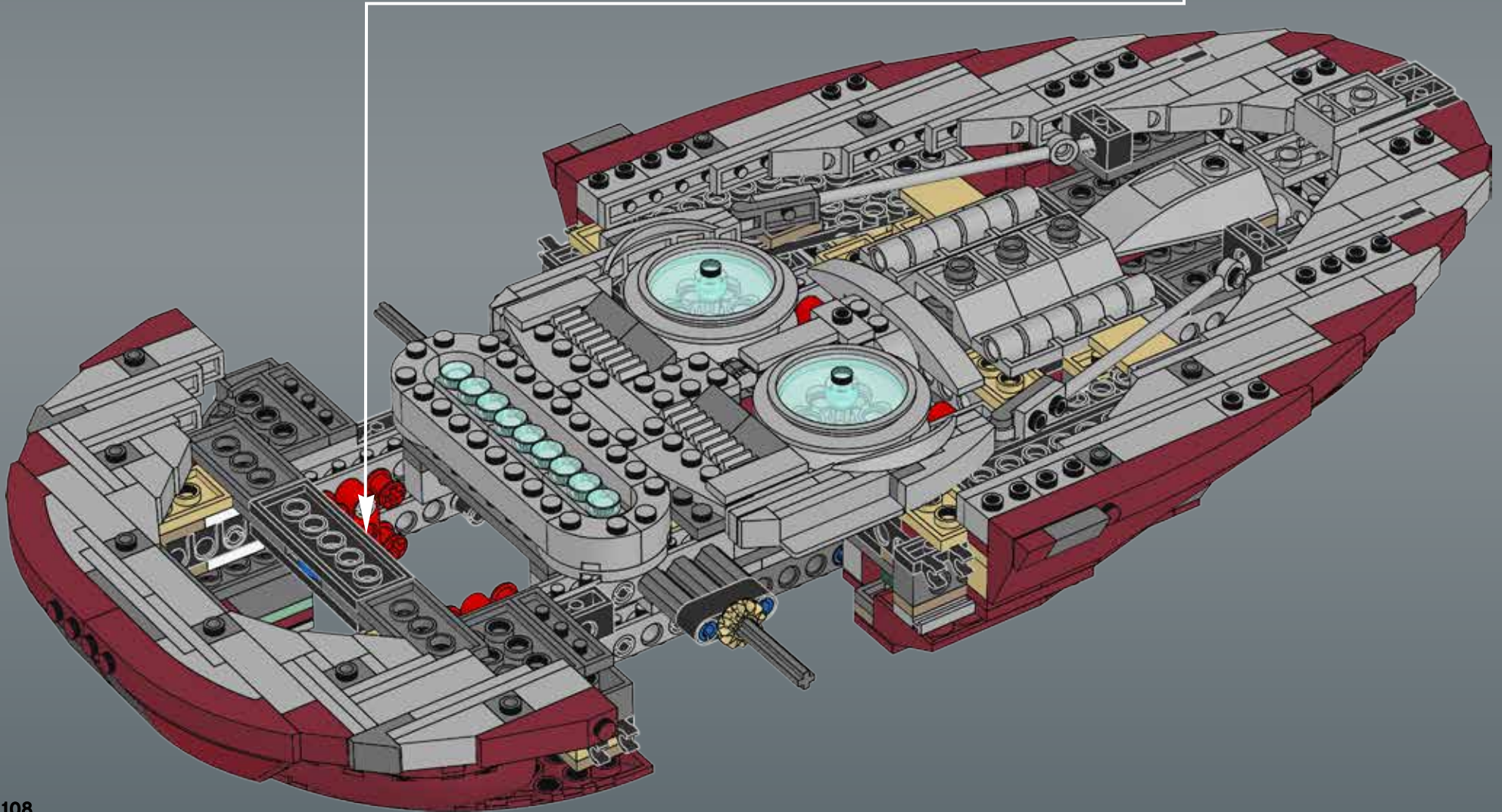
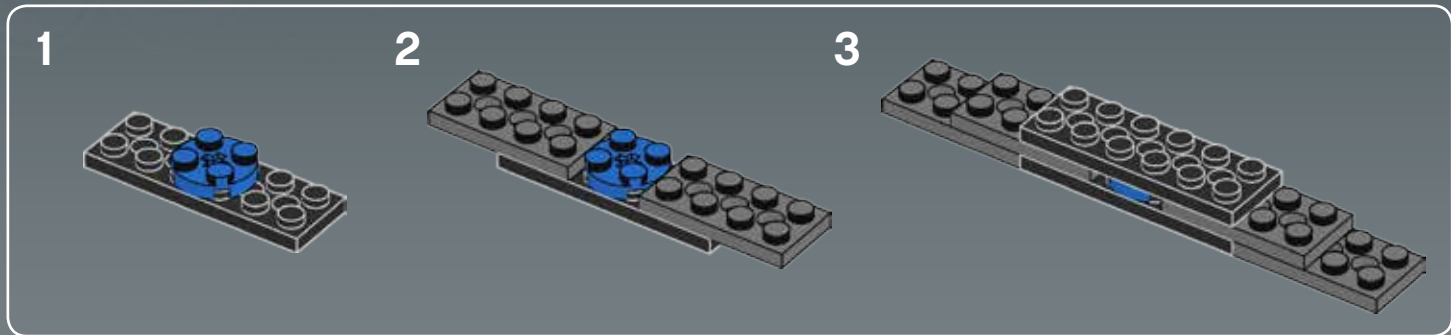


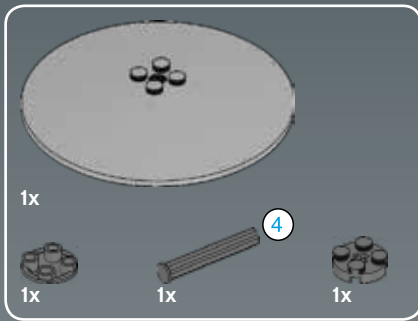
51



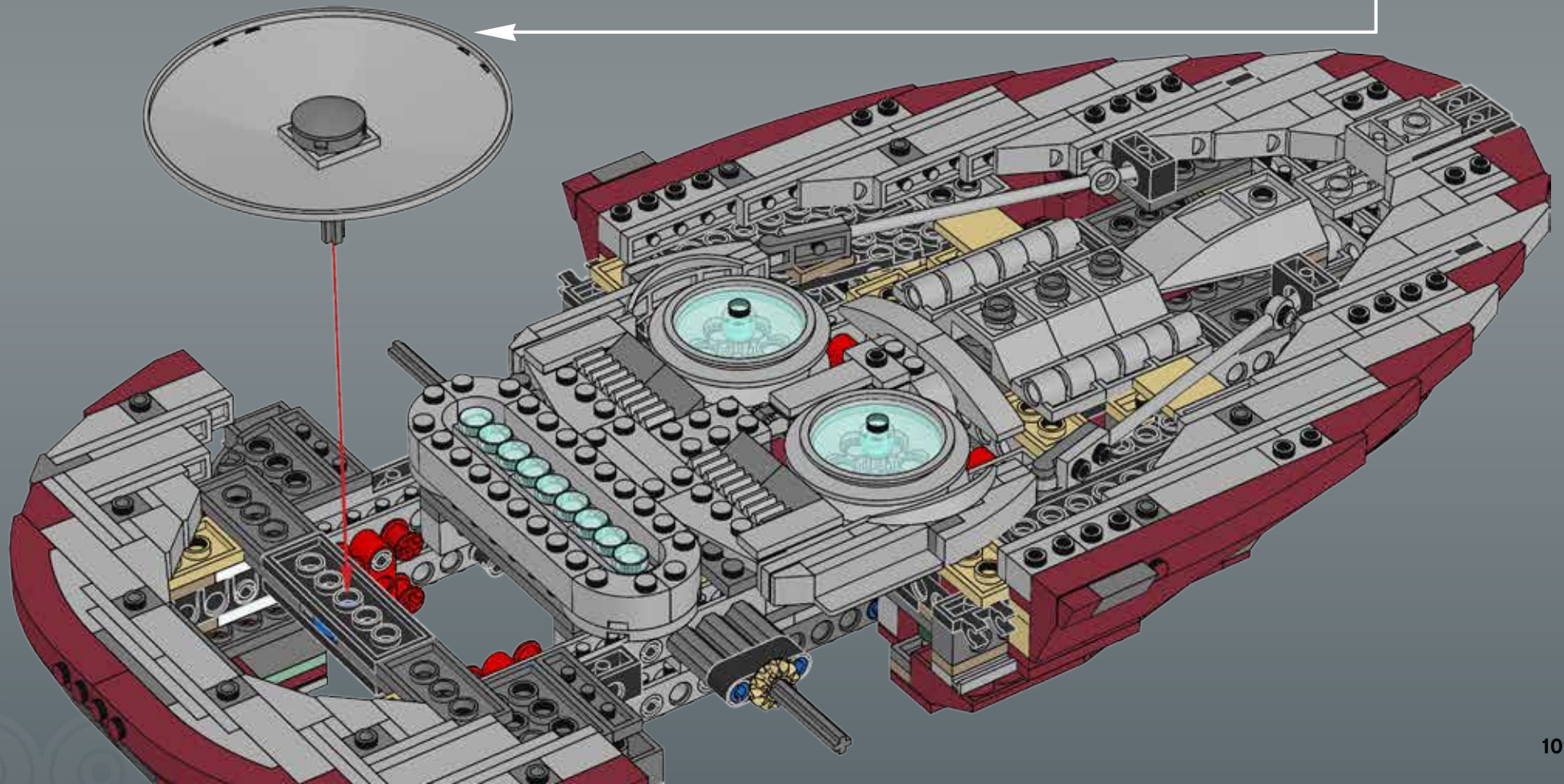
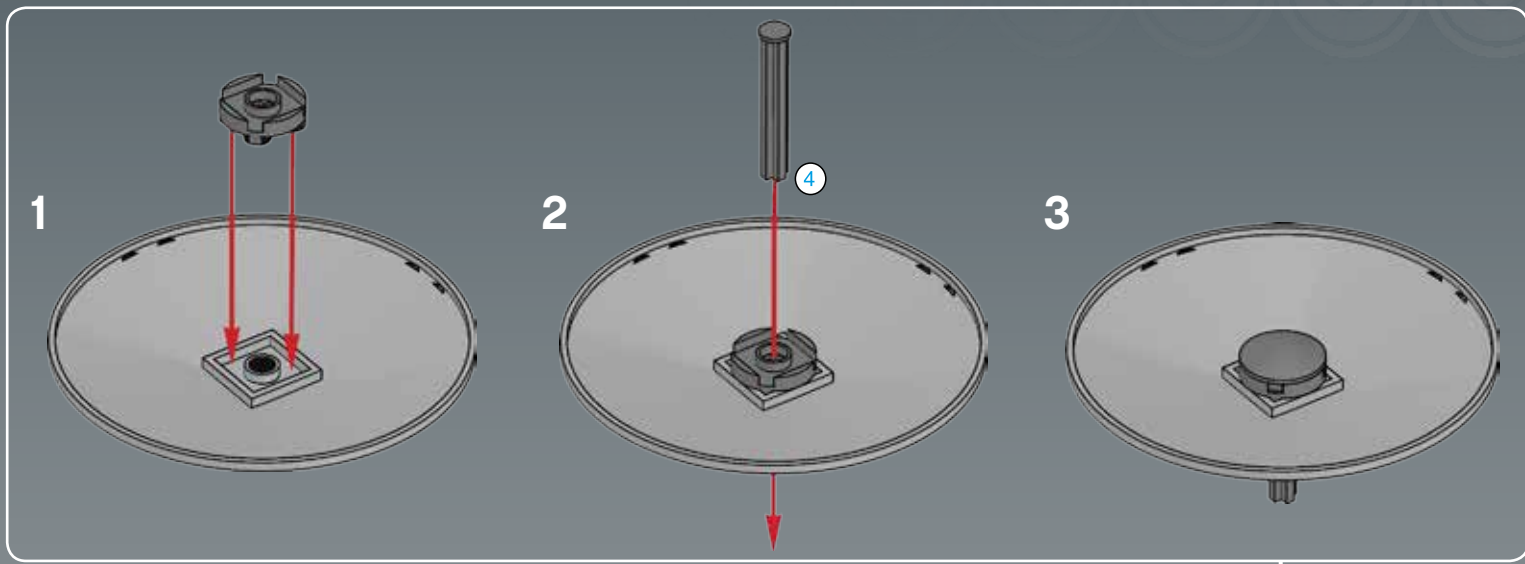


52





53



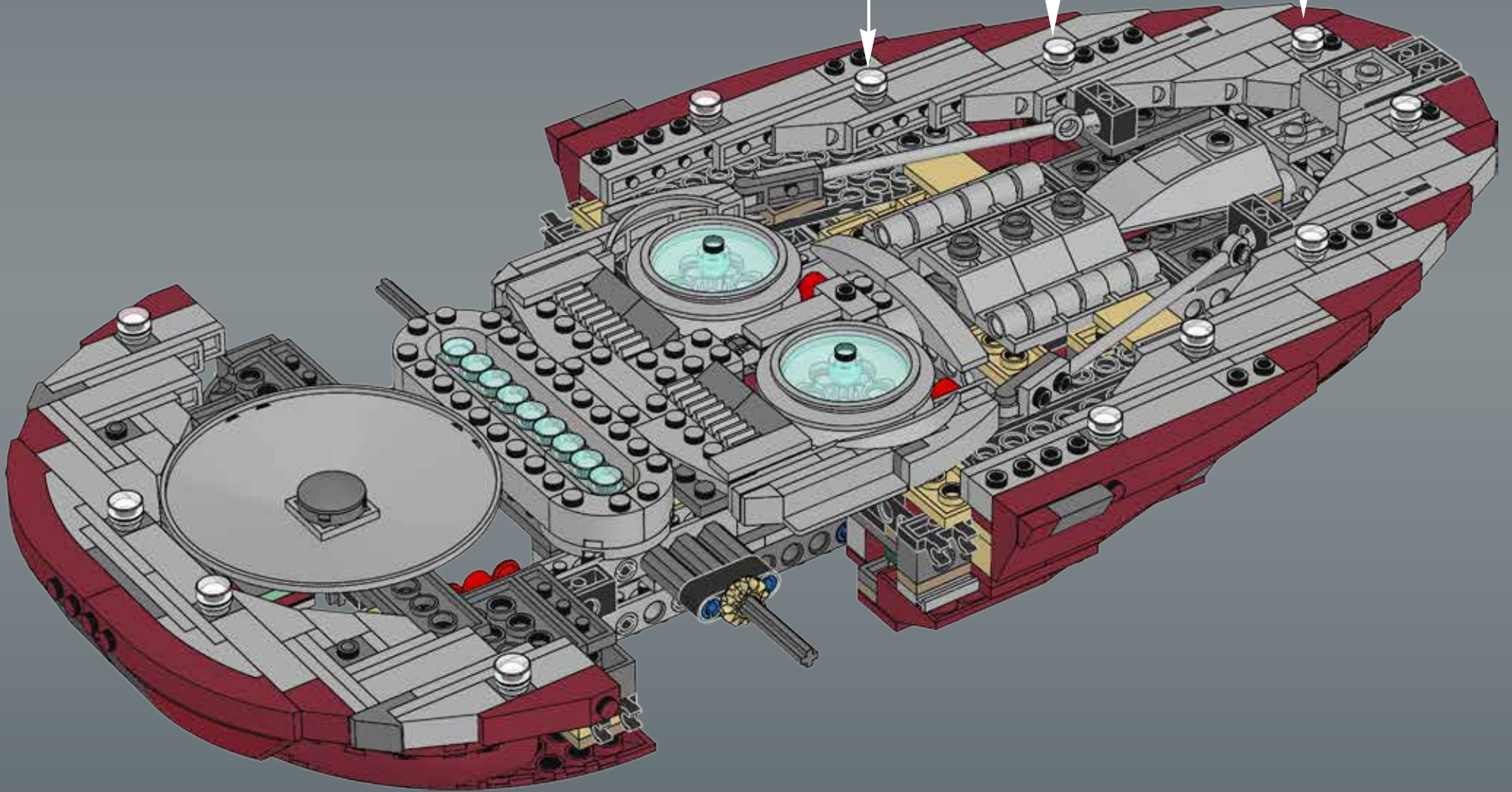
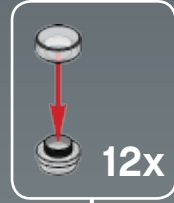


12x



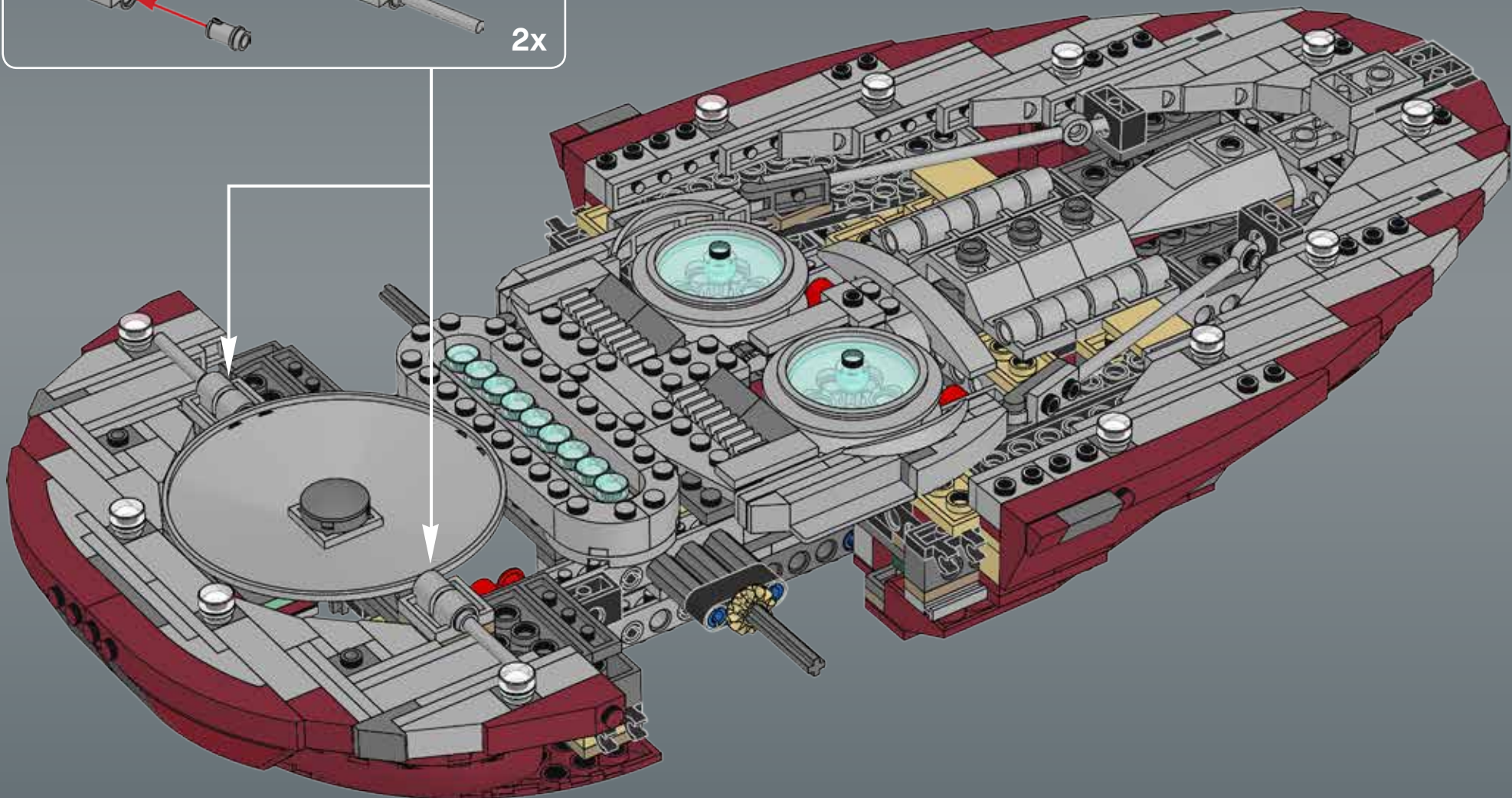
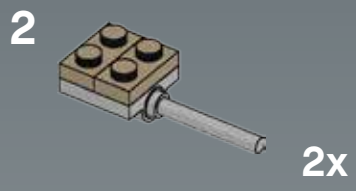
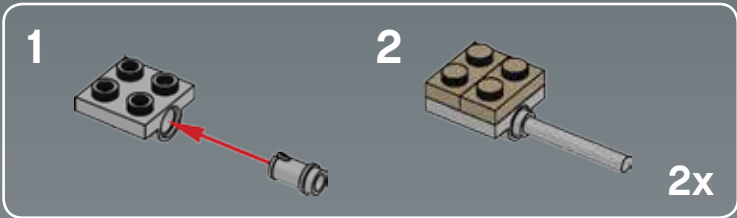
12x

54



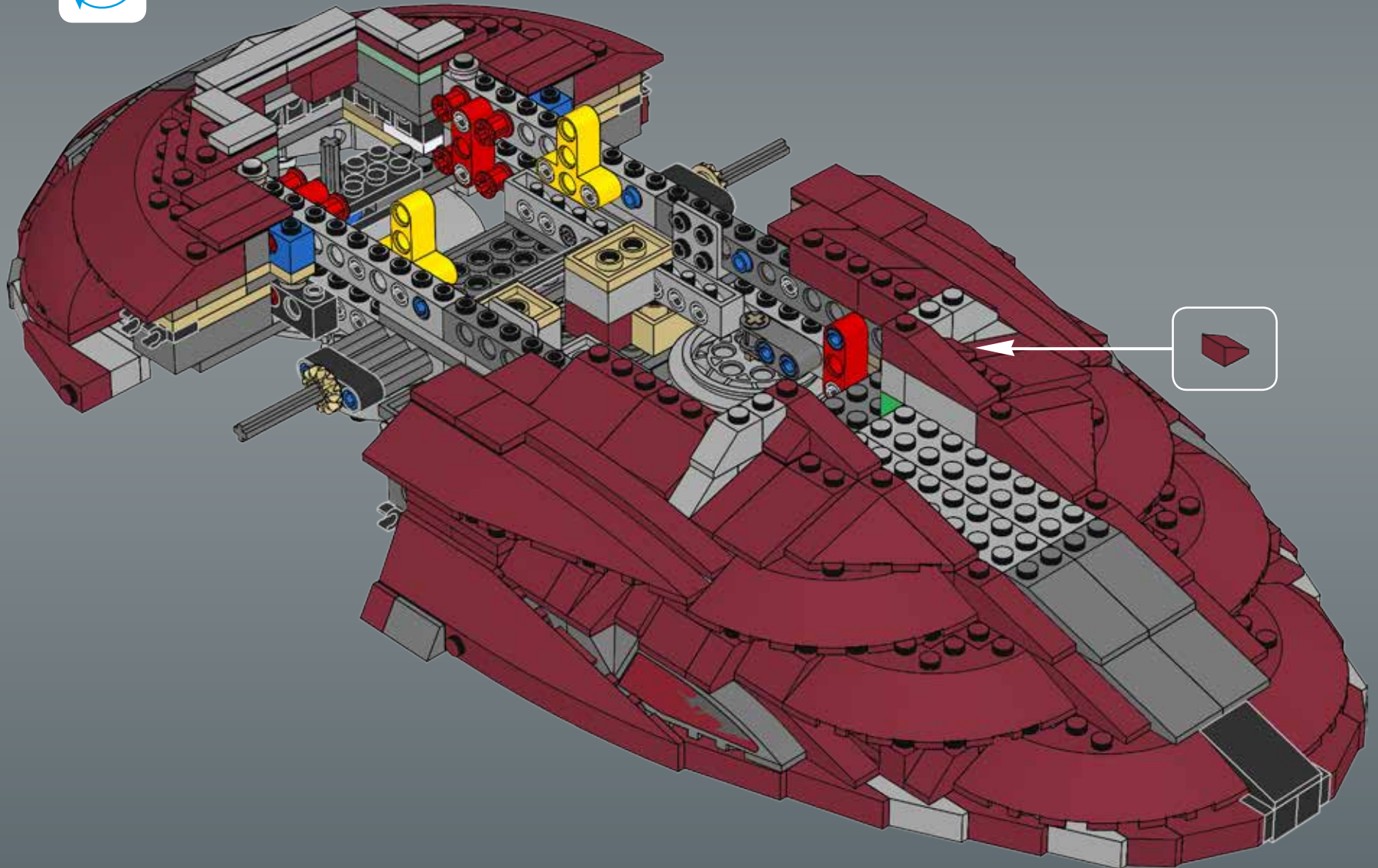


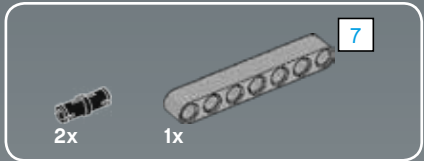
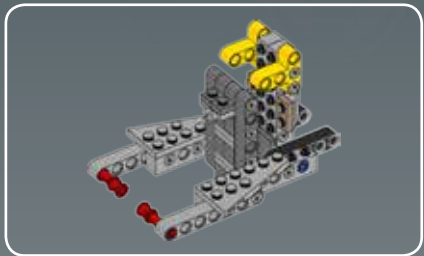
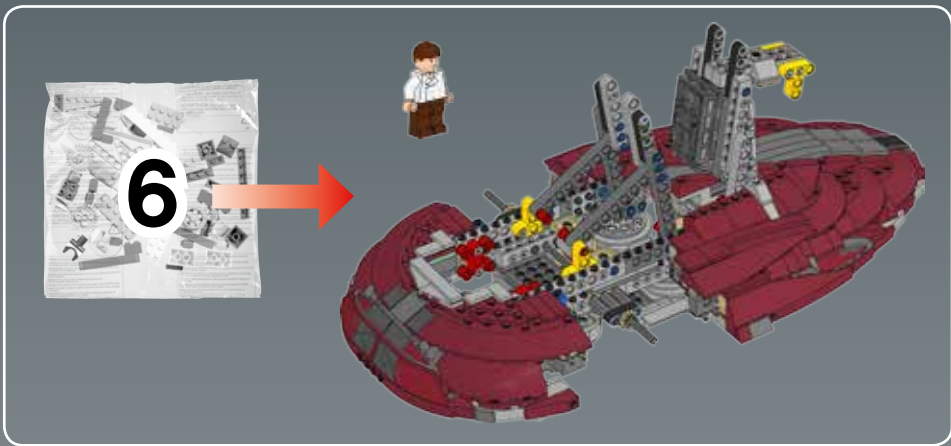
55



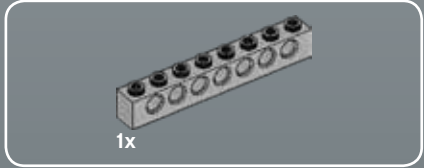
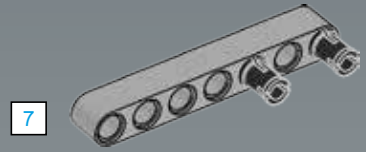


56

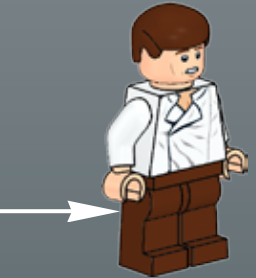
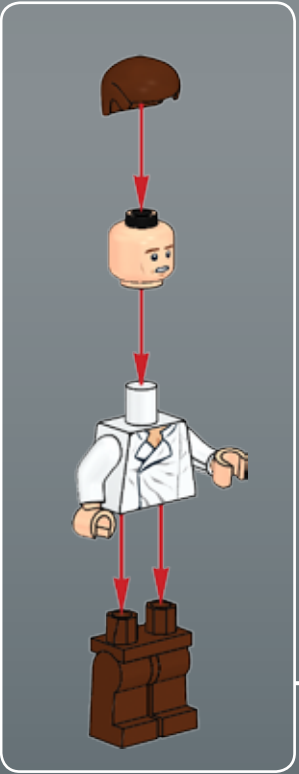
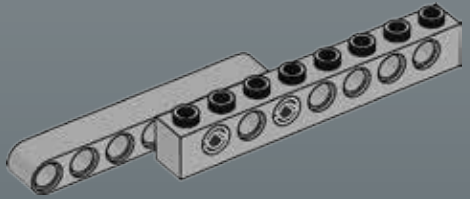


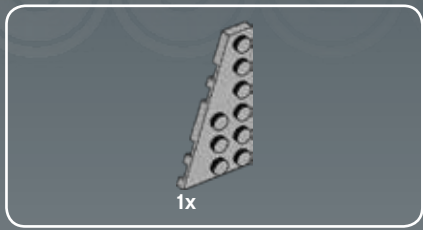


1

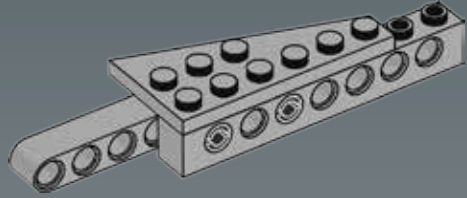


2

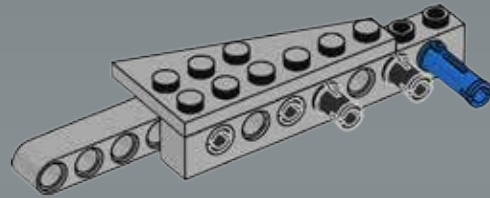




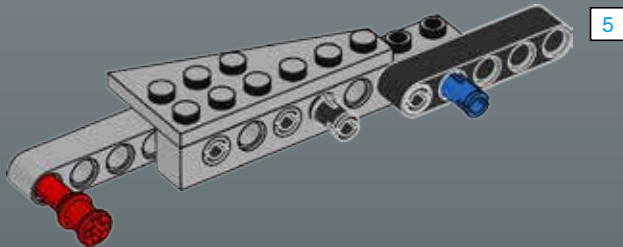
3

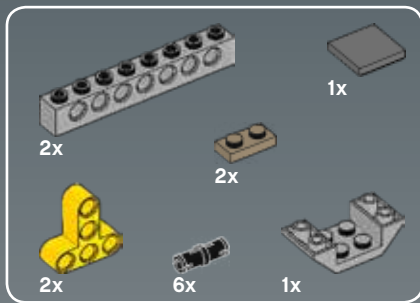


4

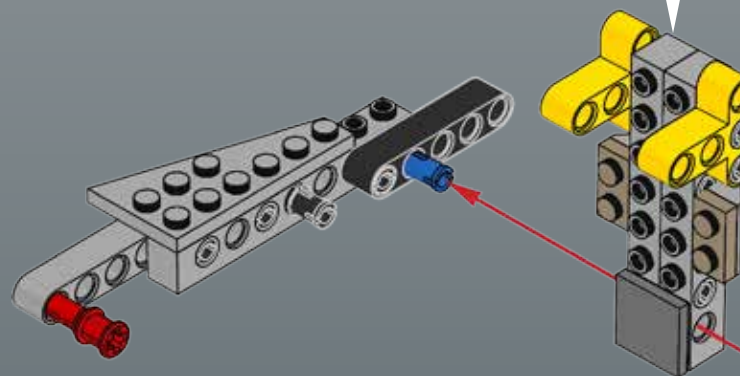
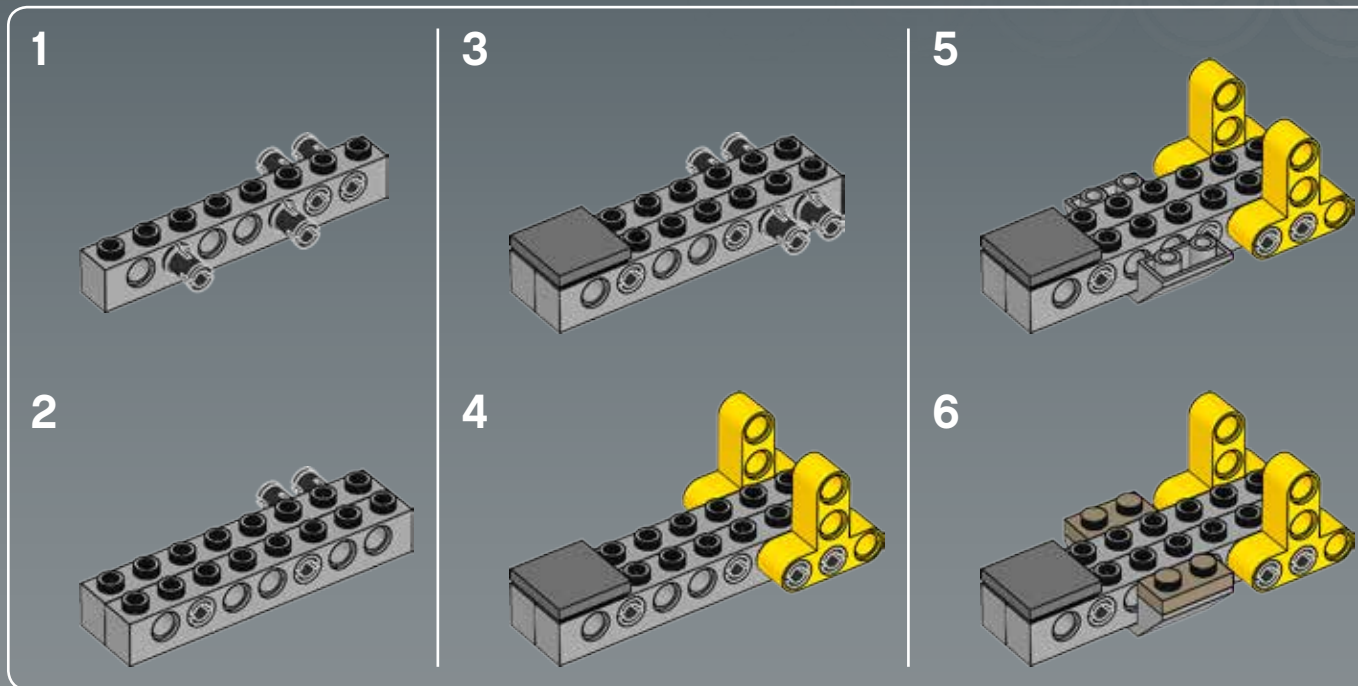


5





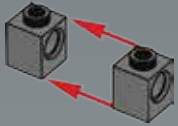
6





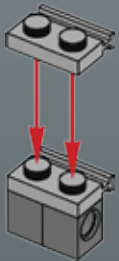
2x

1



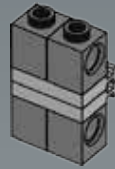
2x

2



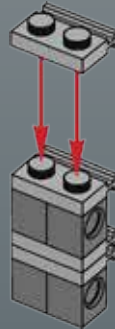
2x

3



2x

4

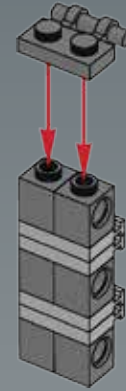


2x



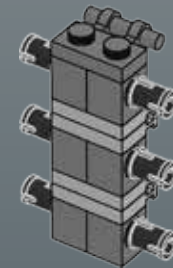
1x

5



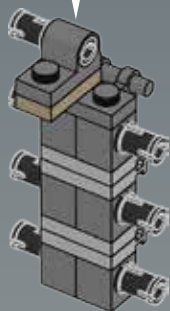
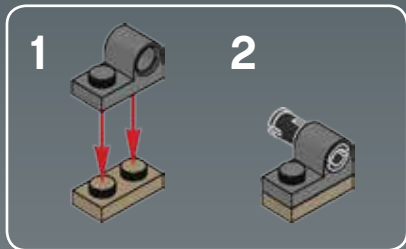
6x

6

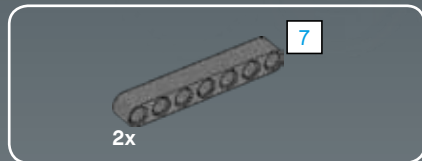
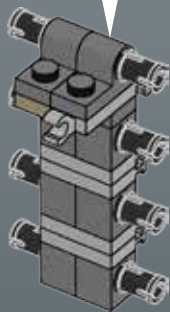
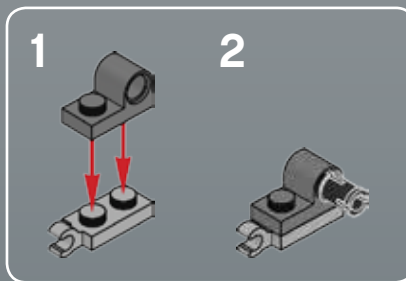




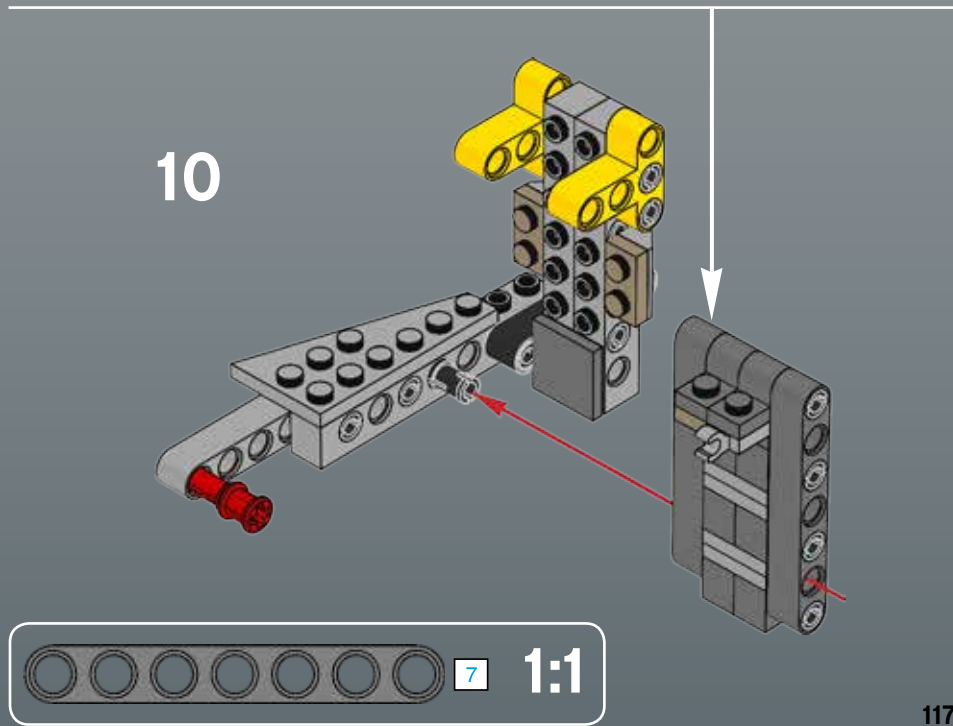
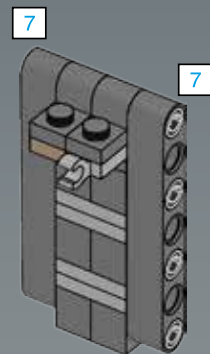
7



8

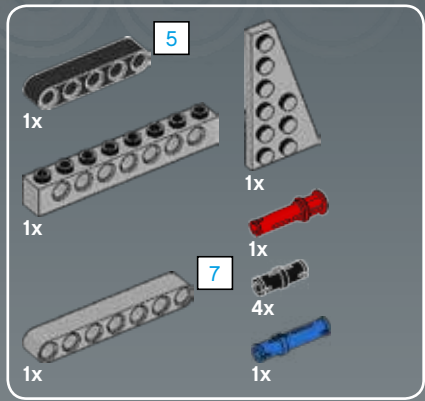


9

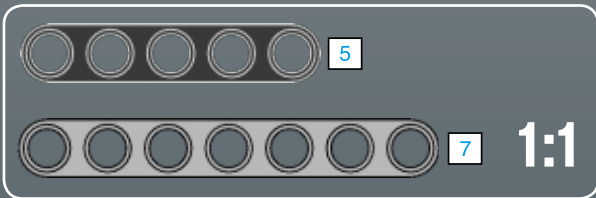
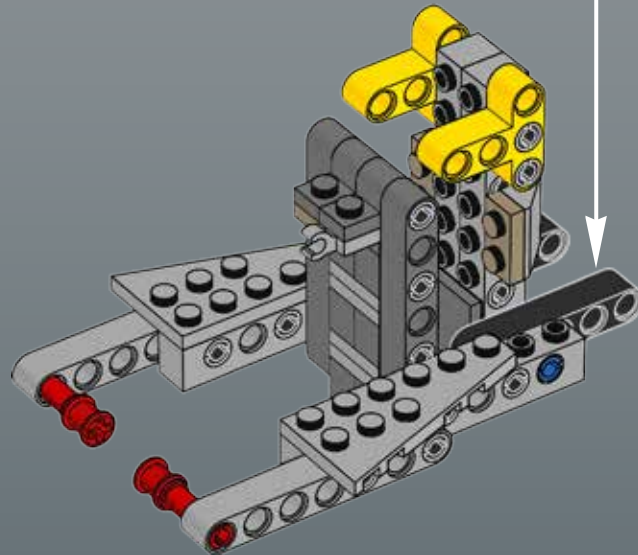
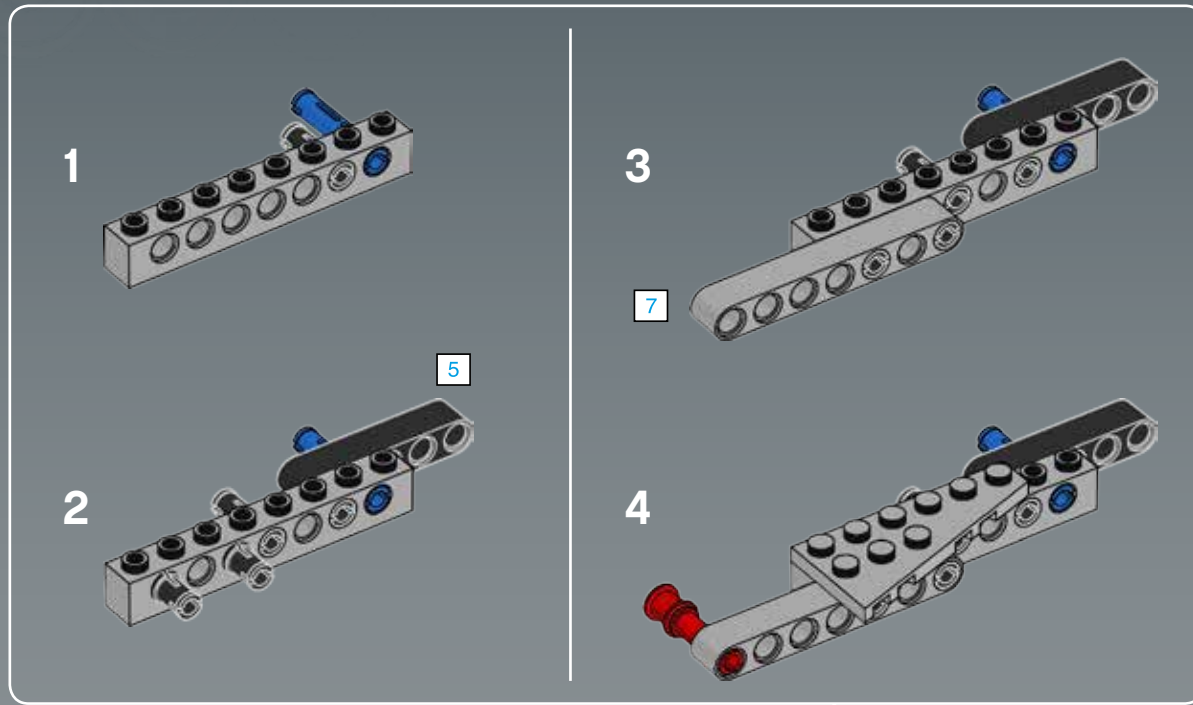


10

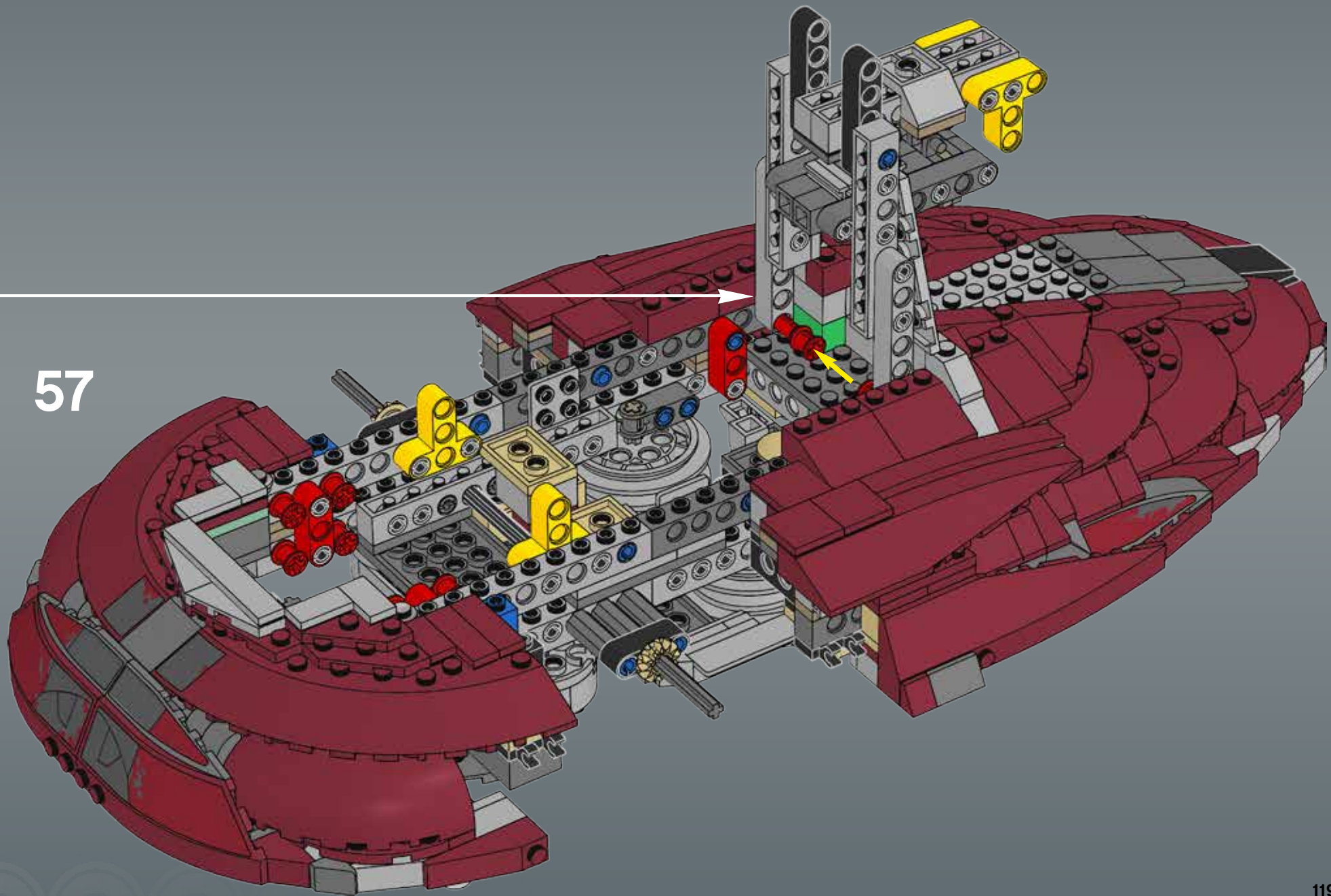




11



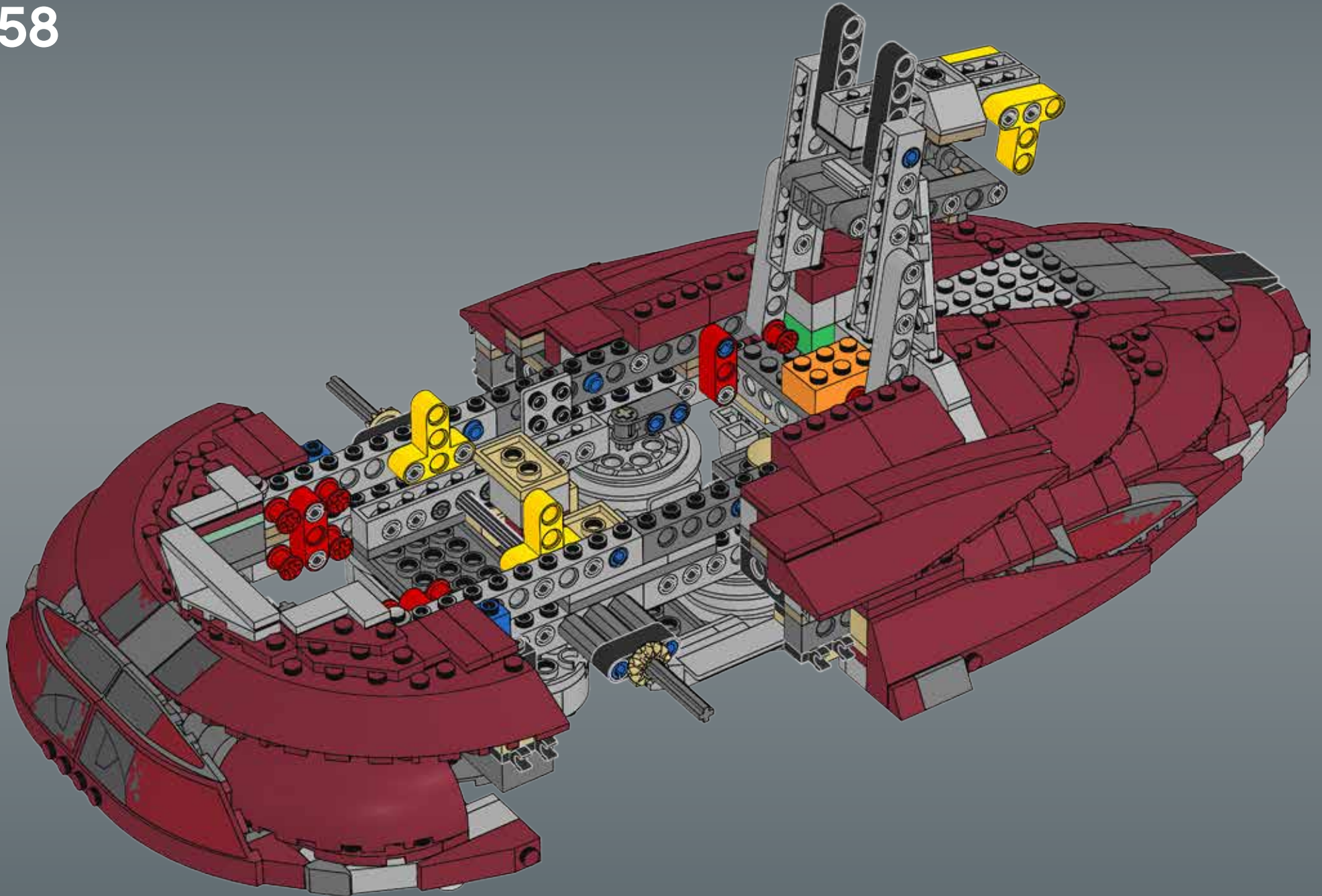
57

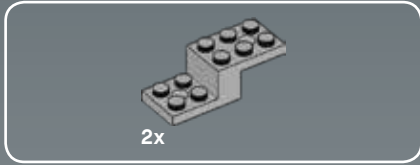
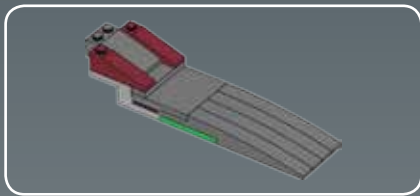




1x

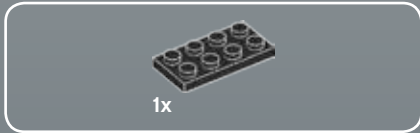
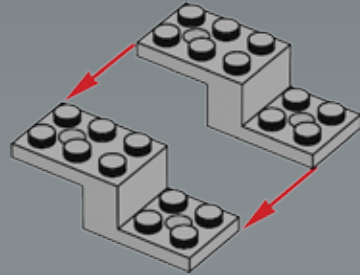
58





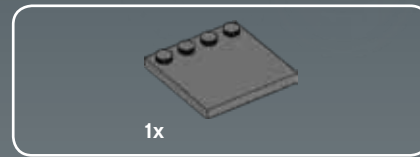
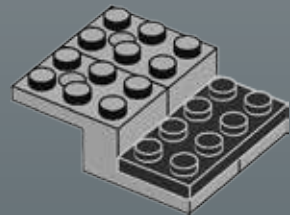
2x

1



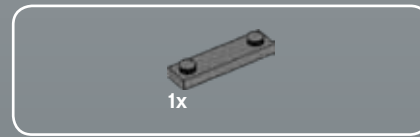
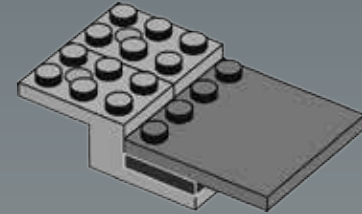
1x

2



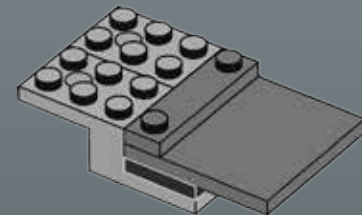
1x

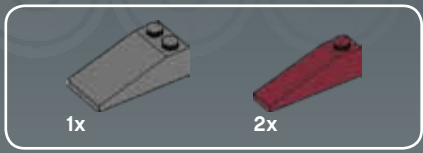
3



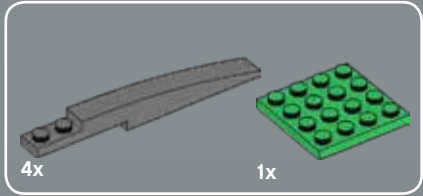
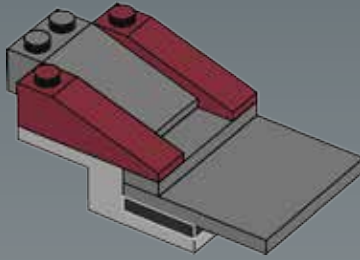
1x

4

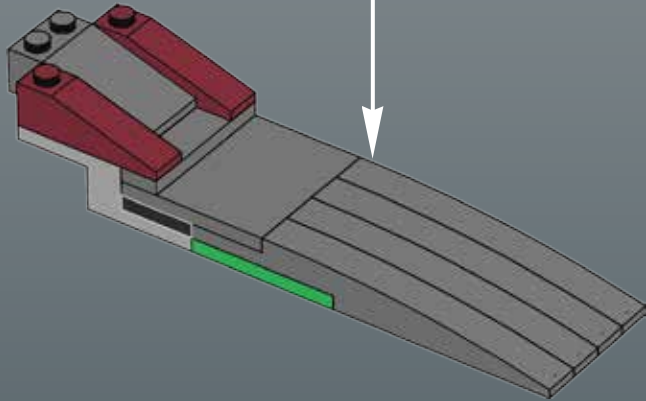
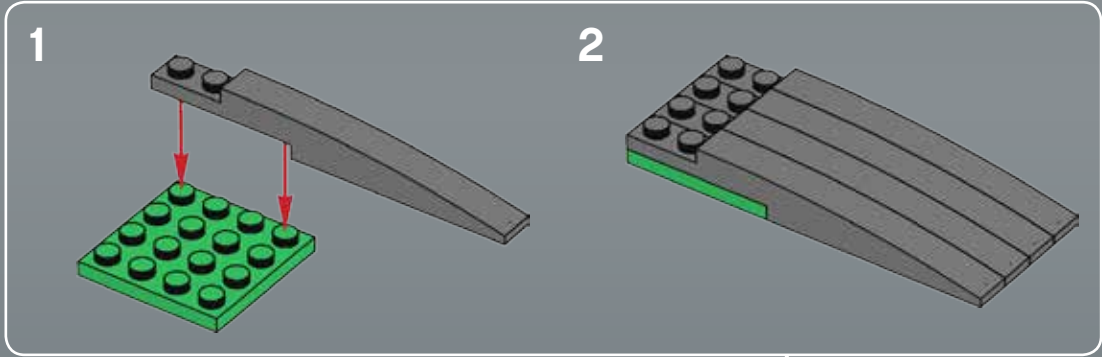




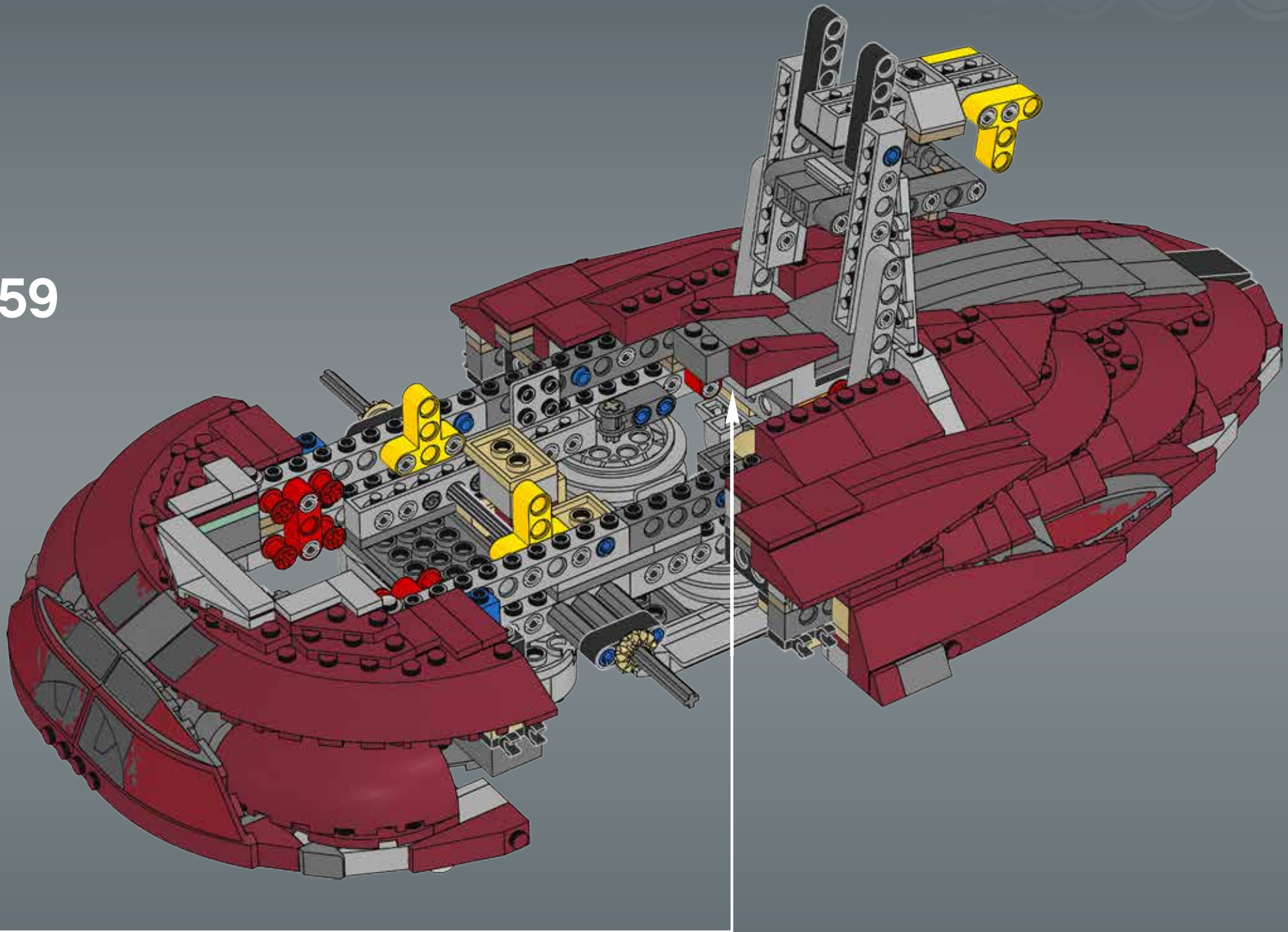
5

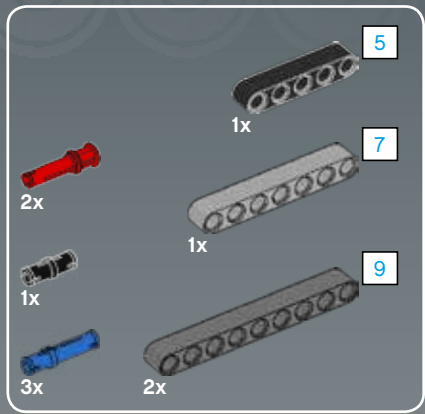


6

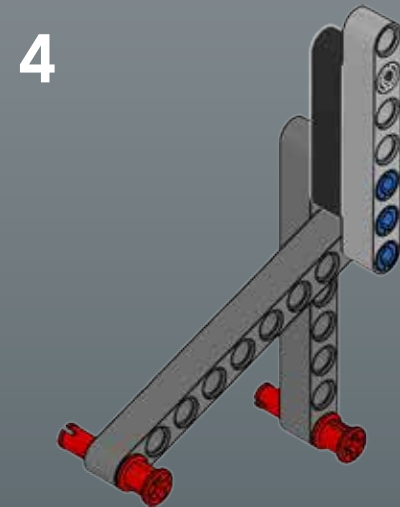
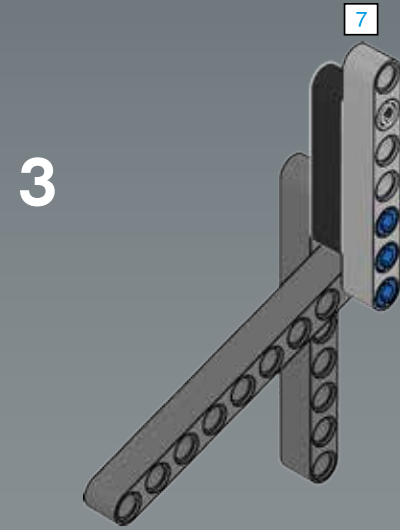
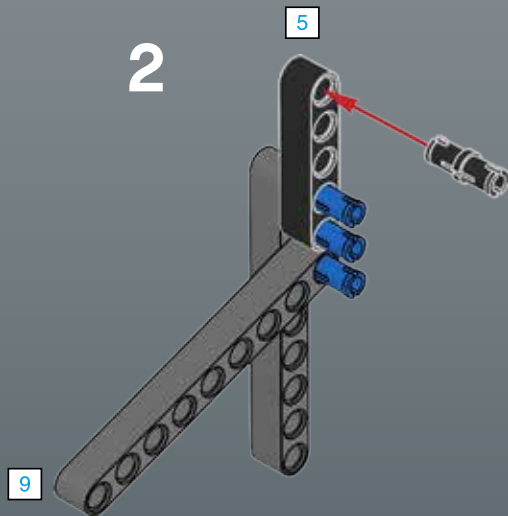
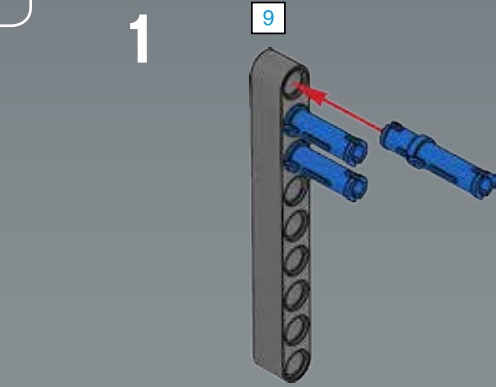
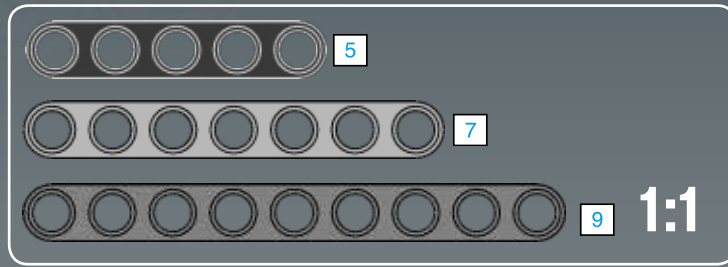


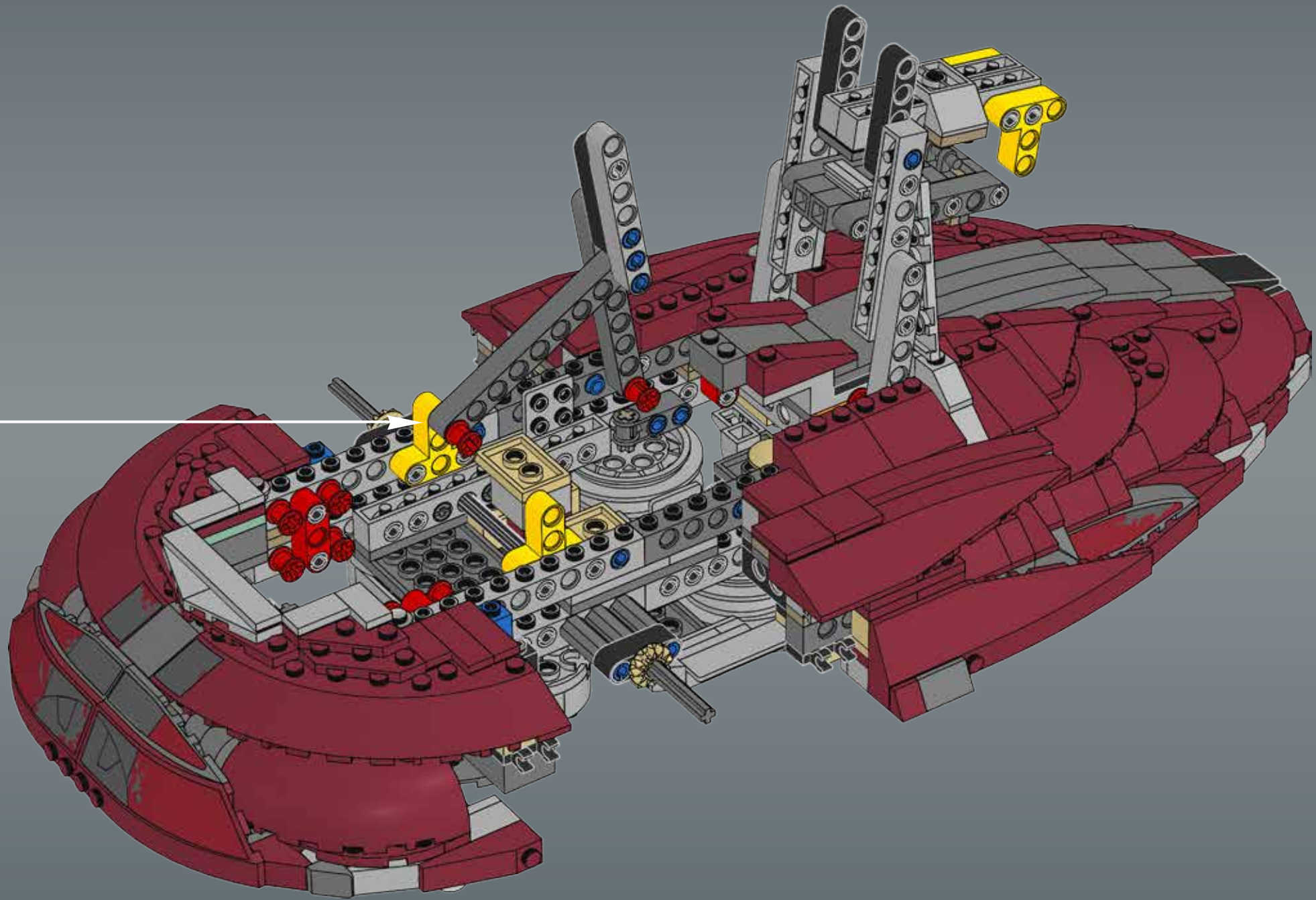
59

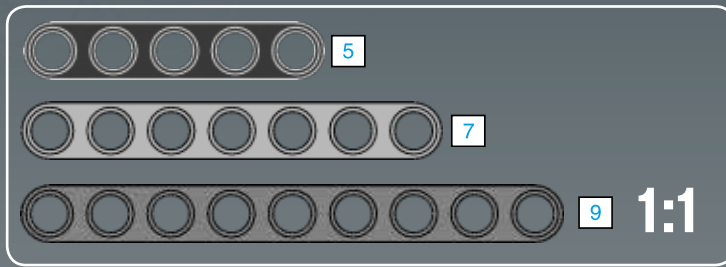
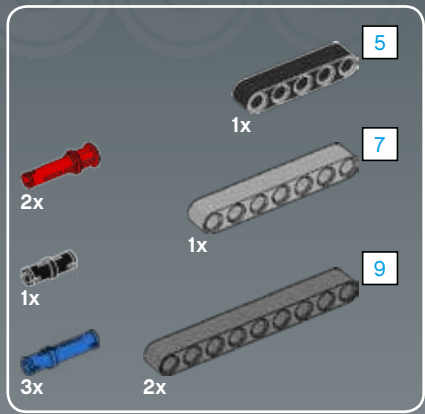




60

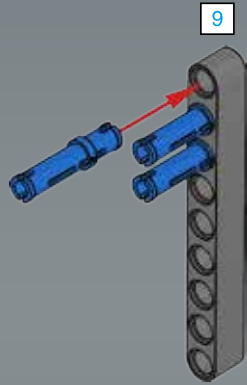




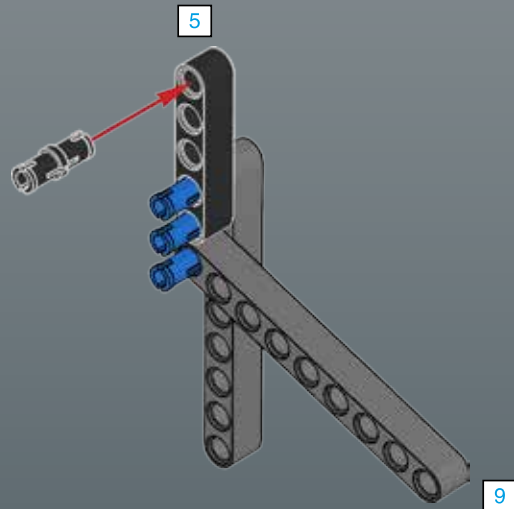


61

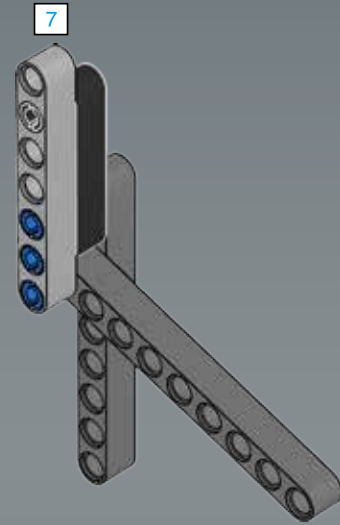
1



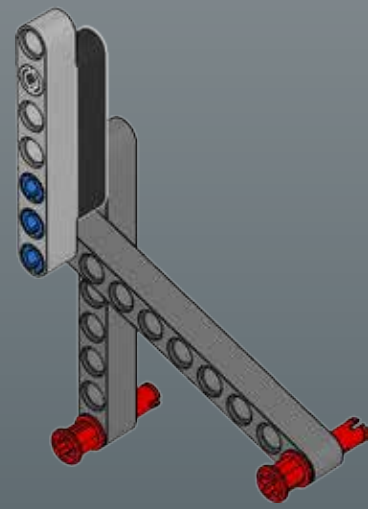
2

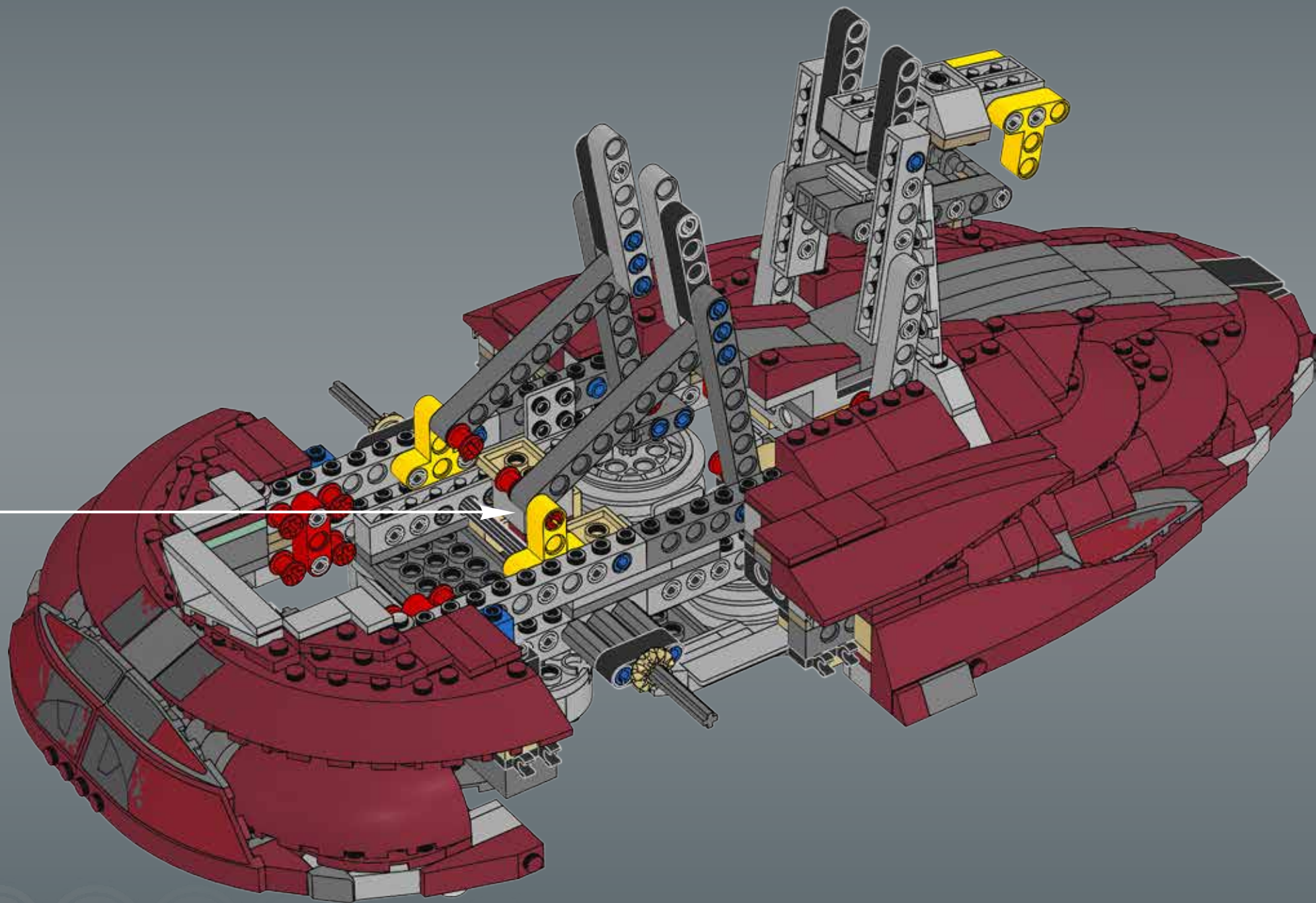


3



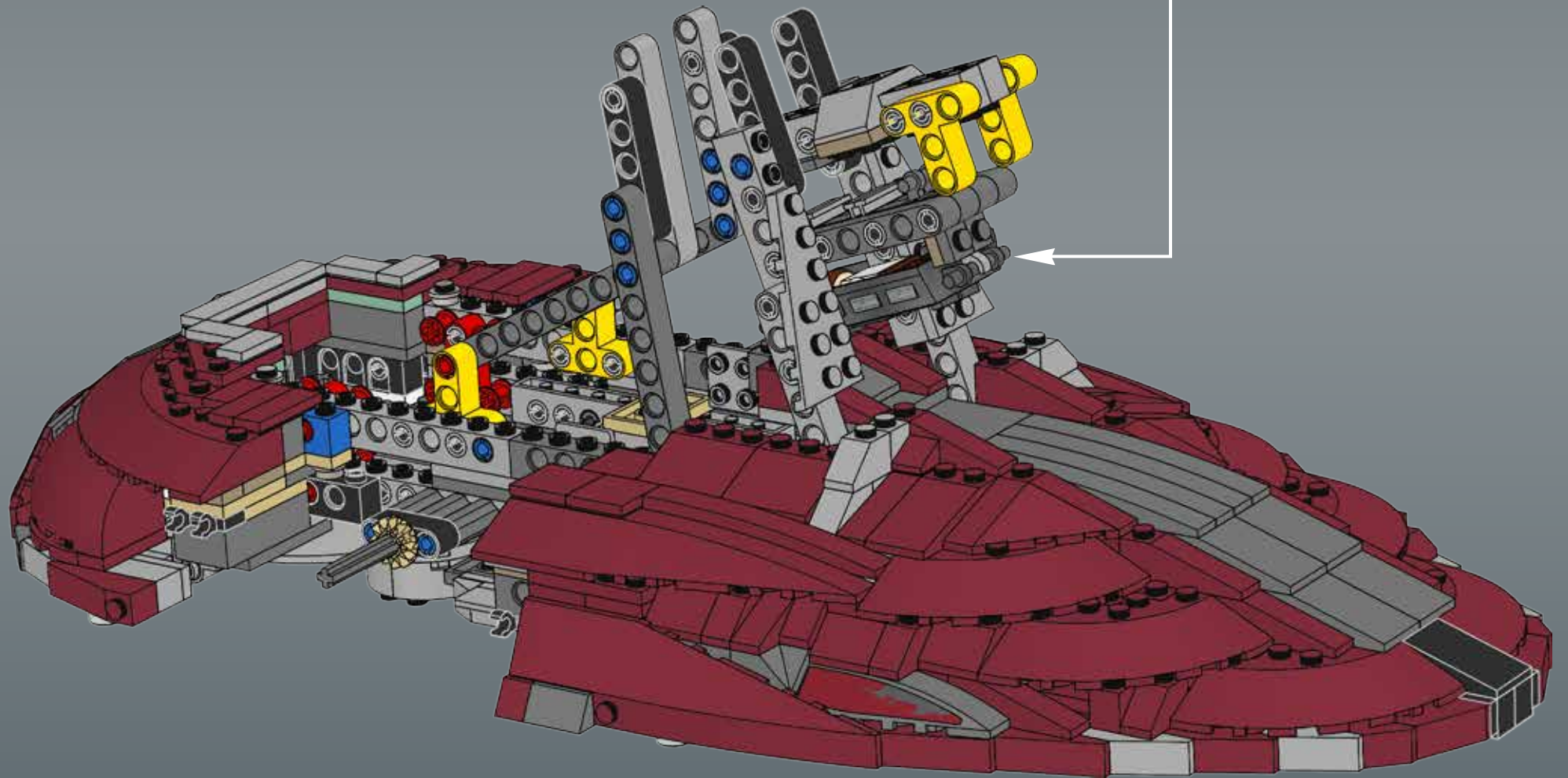
4



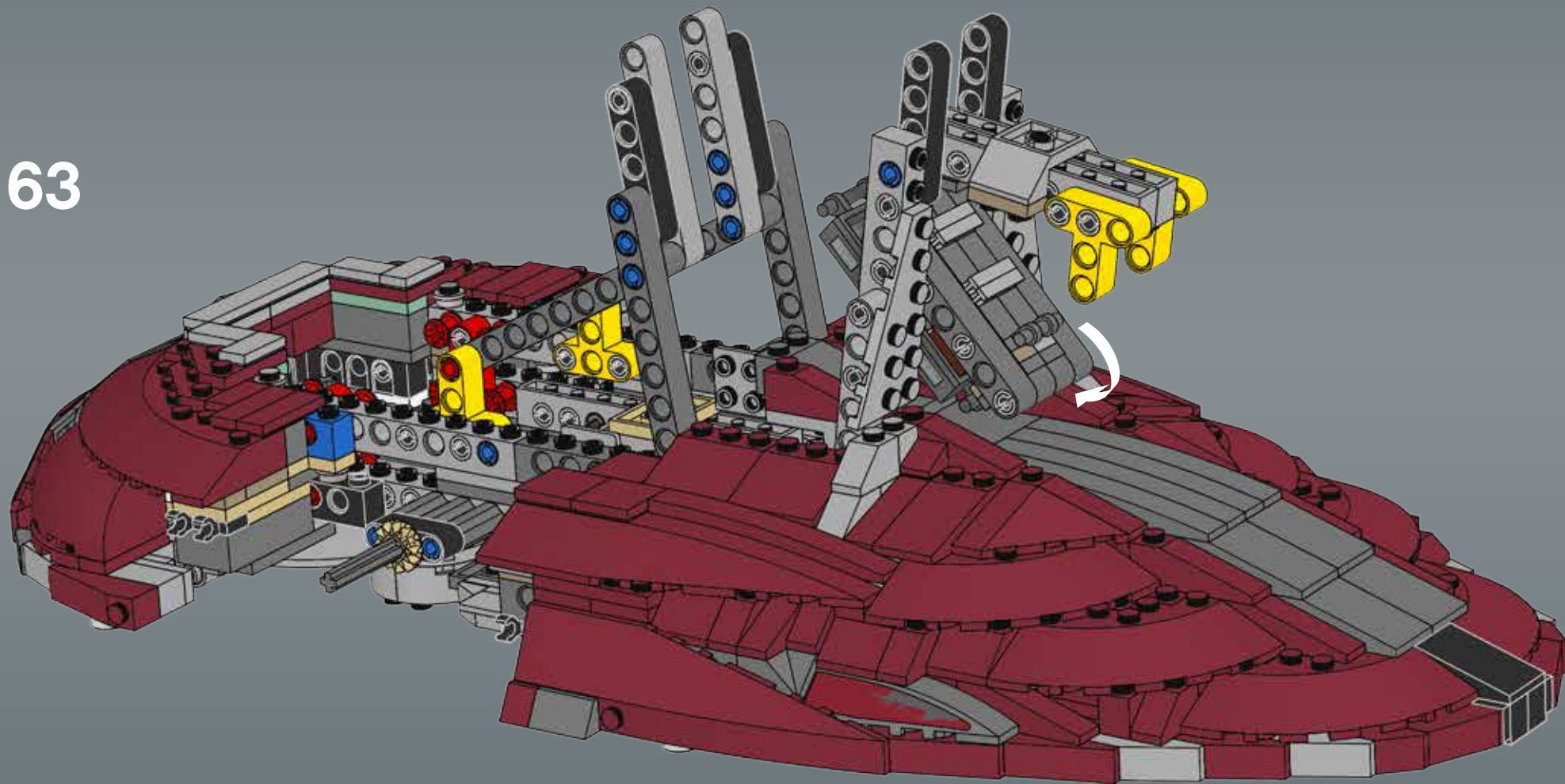


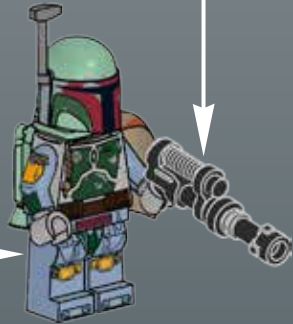
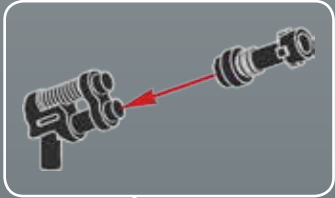
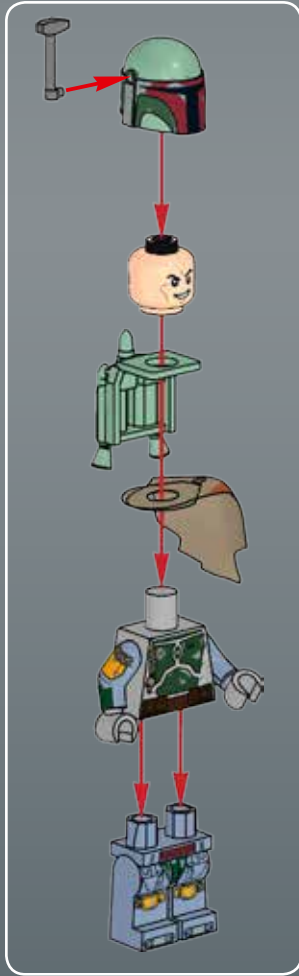
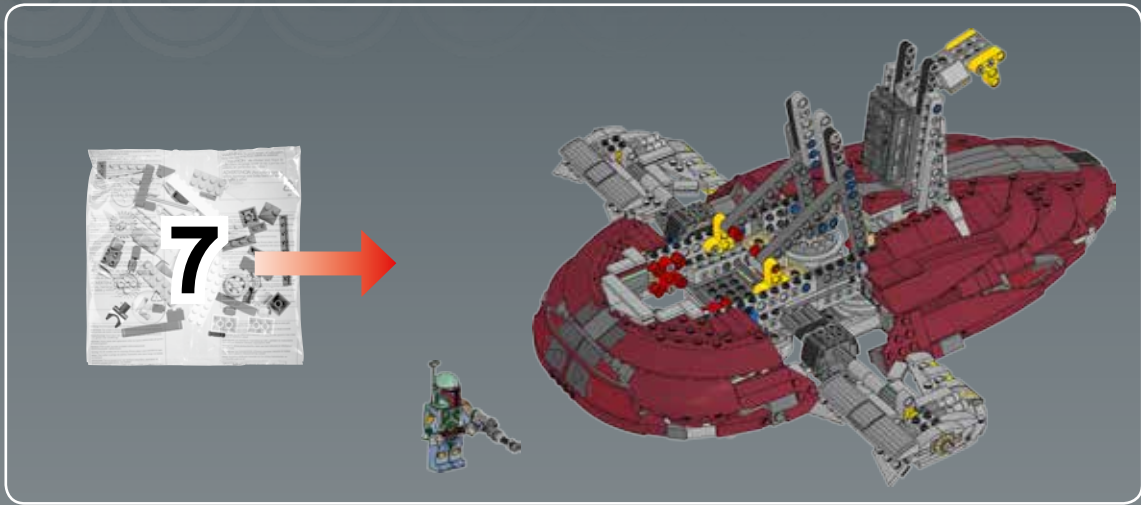


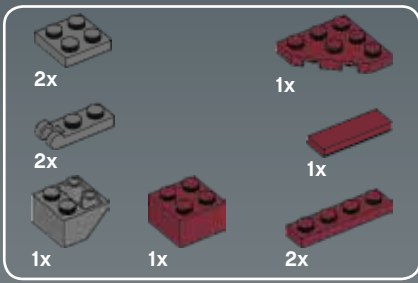
62



63

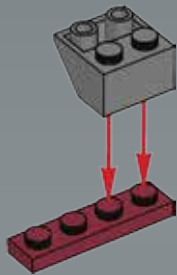




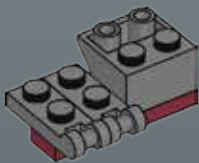


64

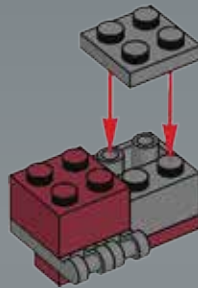
1



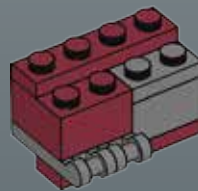
2



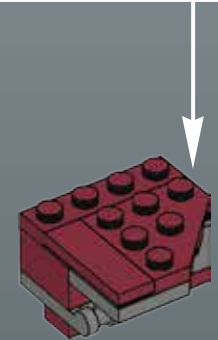
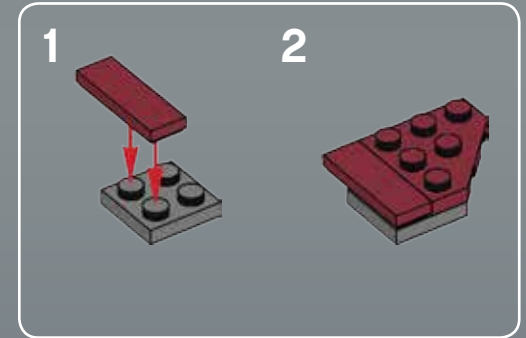
3

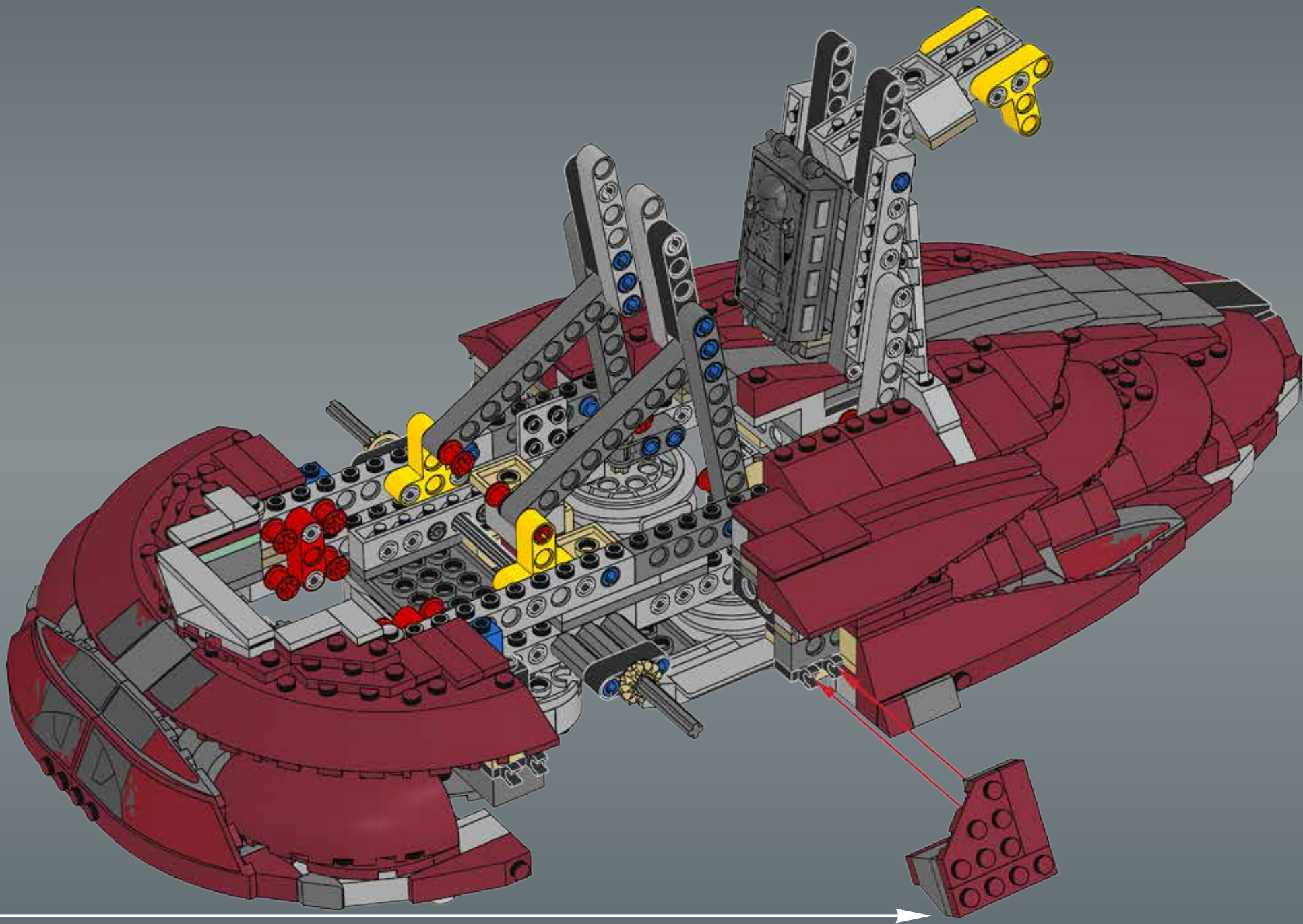


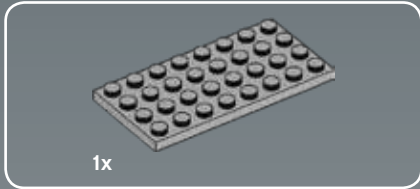
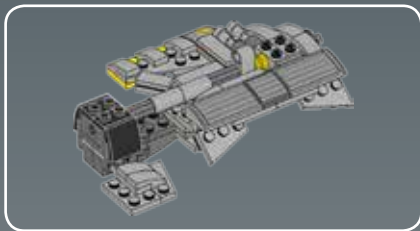
4



5

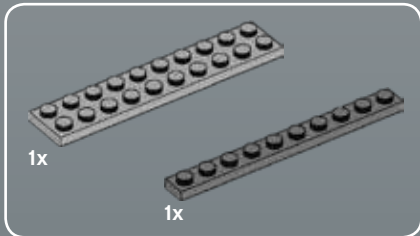
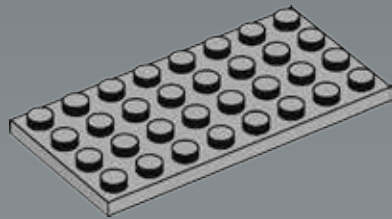






1x

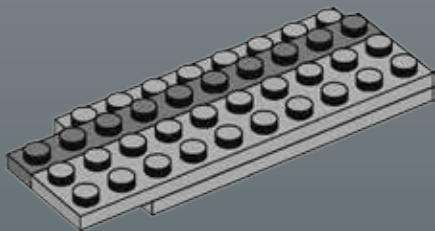
1



1x

1x

2

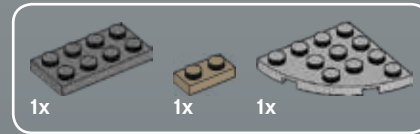
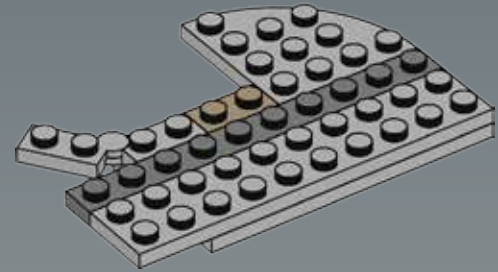


1x

1x

1x

3

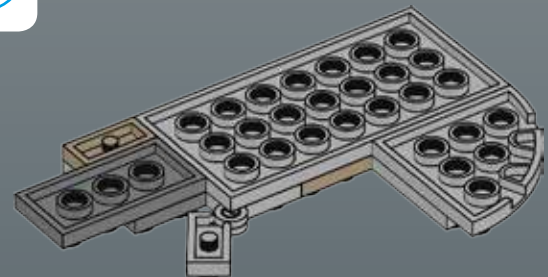


1x

1x

1x

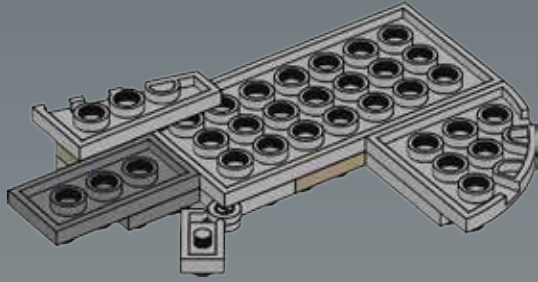
4





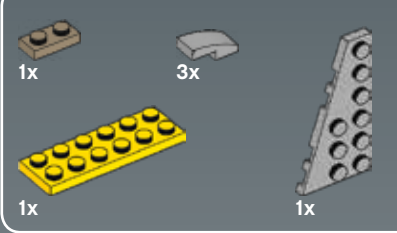
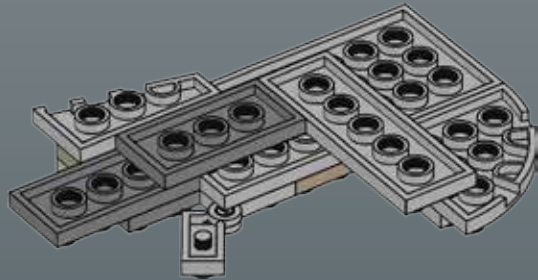
1x

5

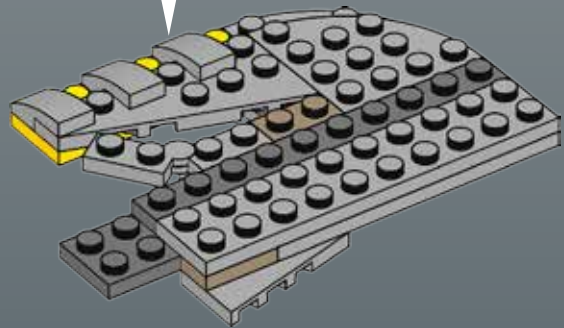
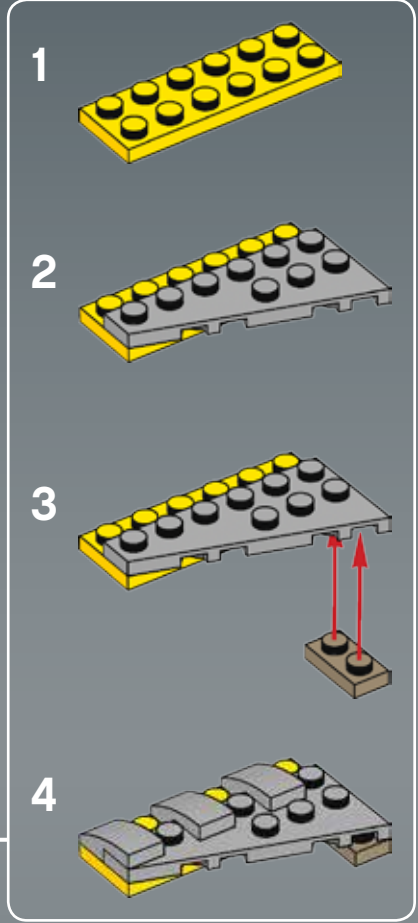


1x

6

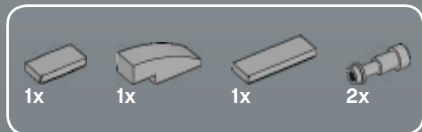
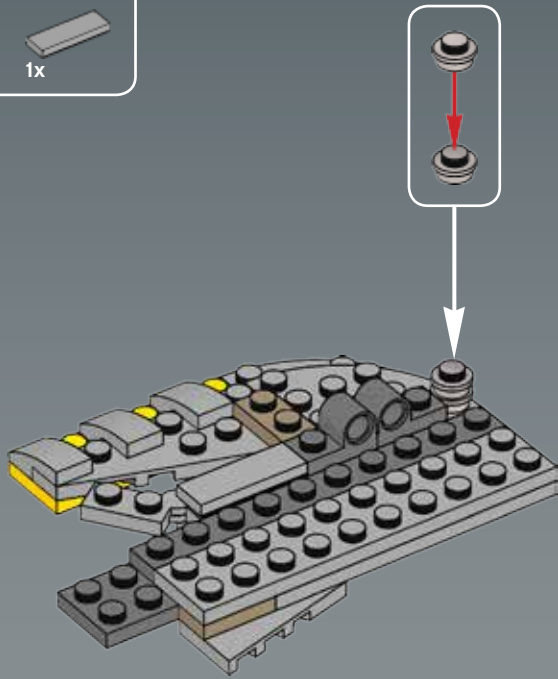


7

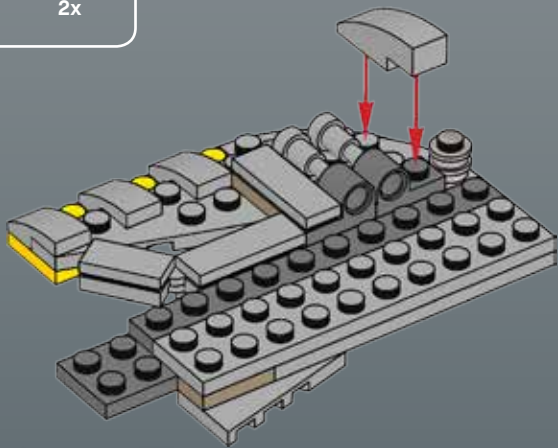




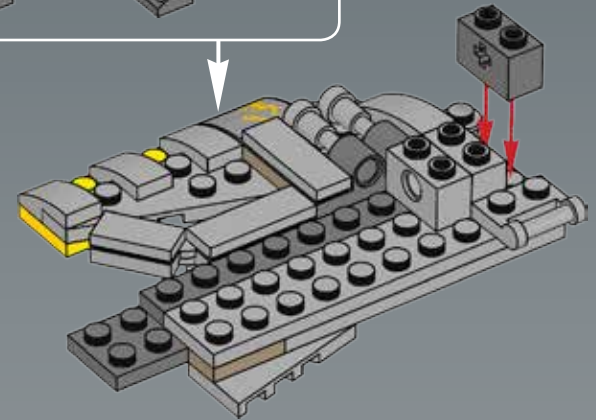
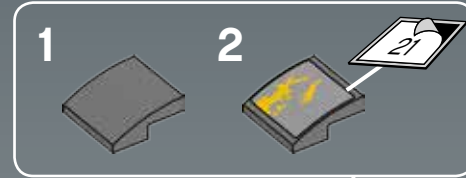
8



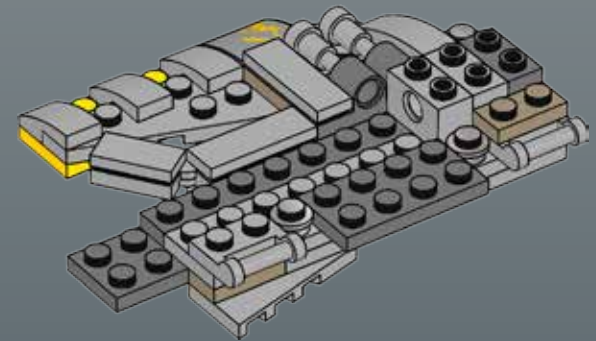
9



10

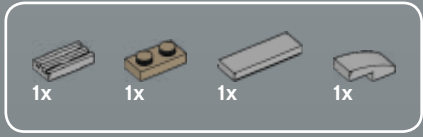
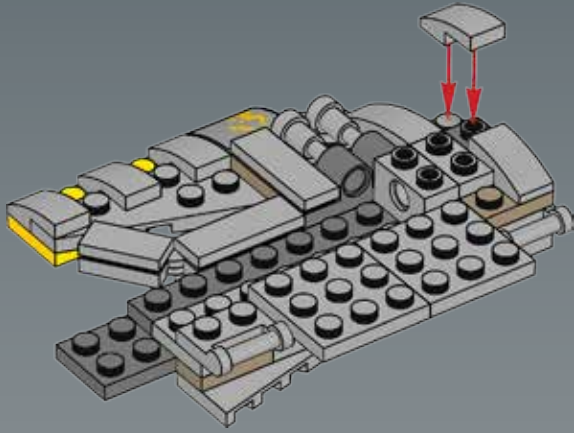


11

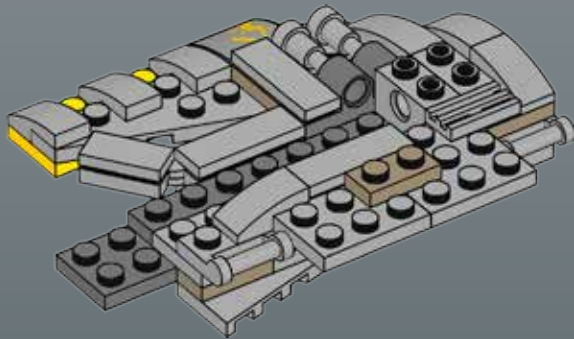




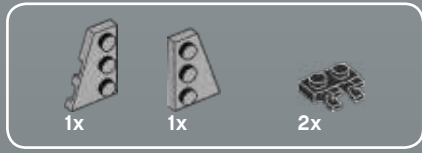
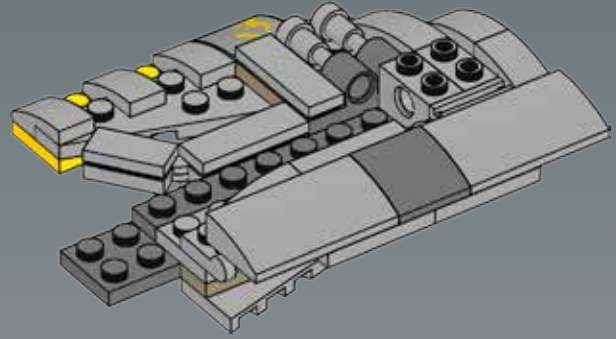
12



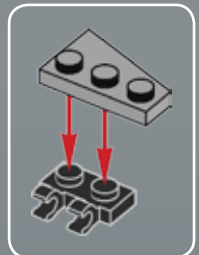
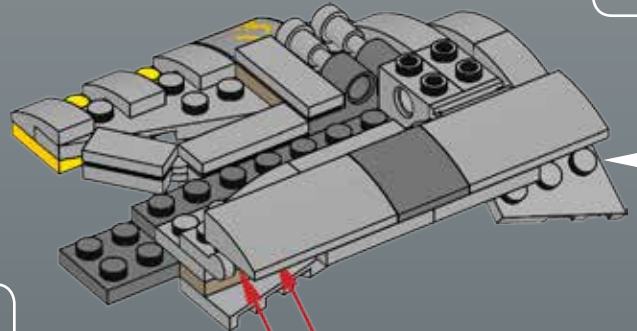
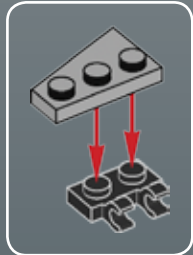
13

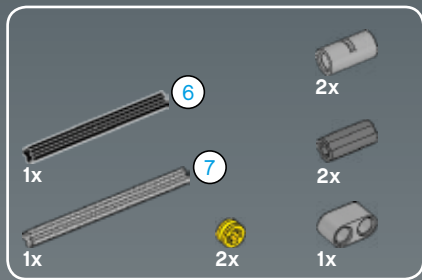


14

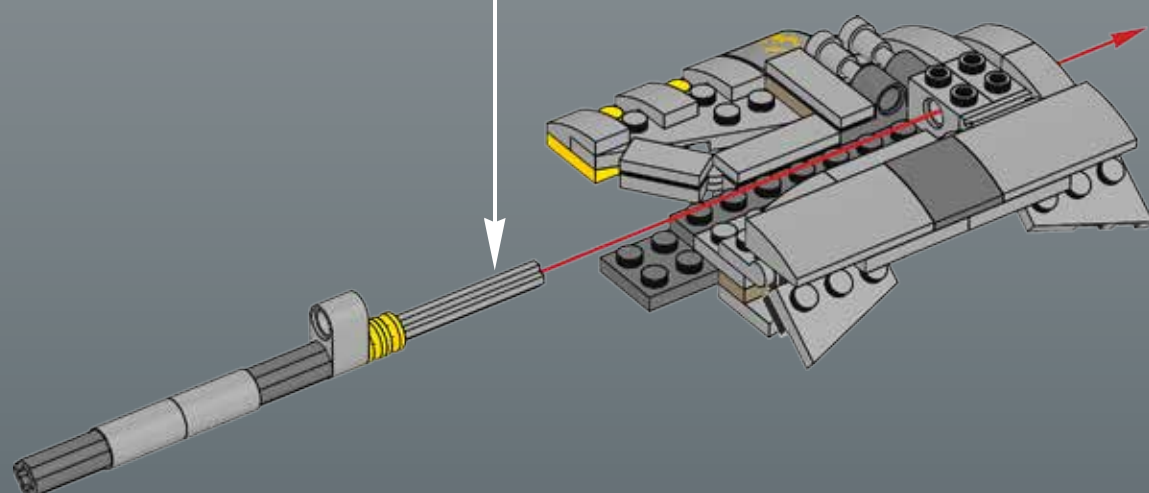
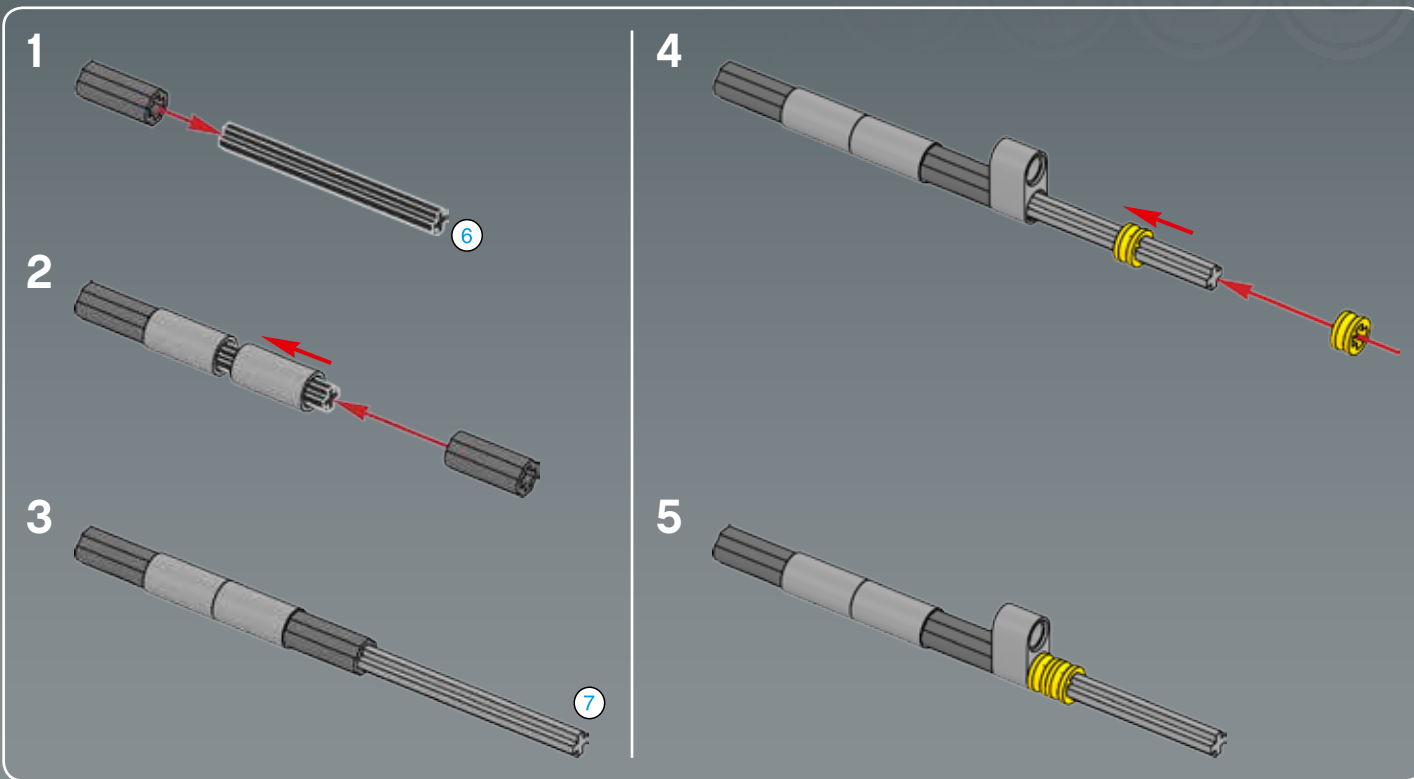


15





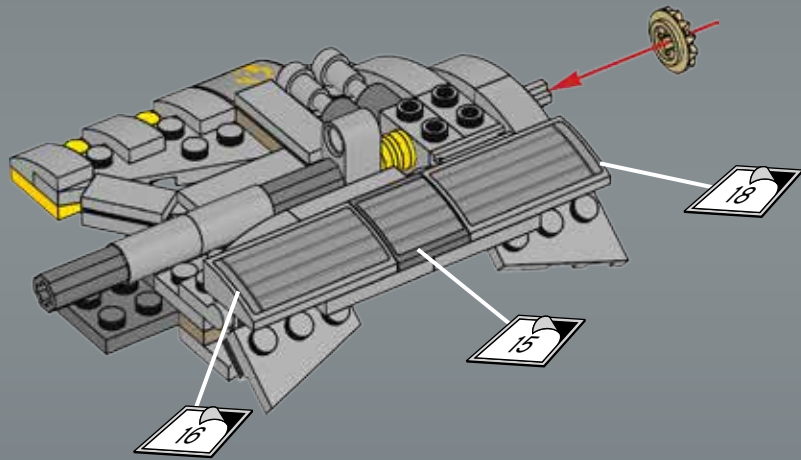
16





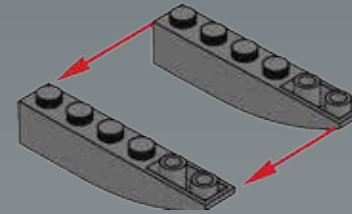
1x

17



2x

1

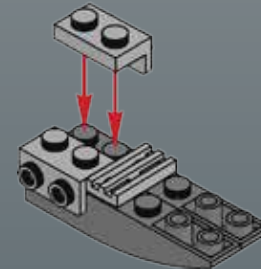


1x



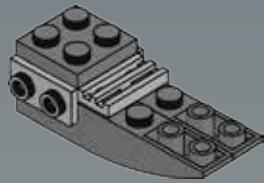
2x

2

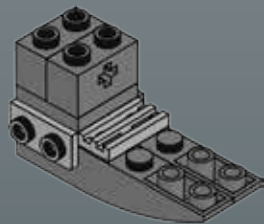




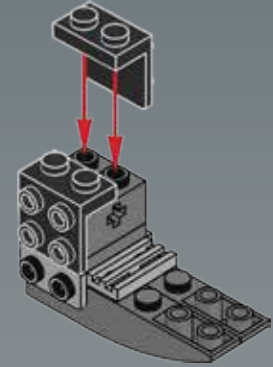
3



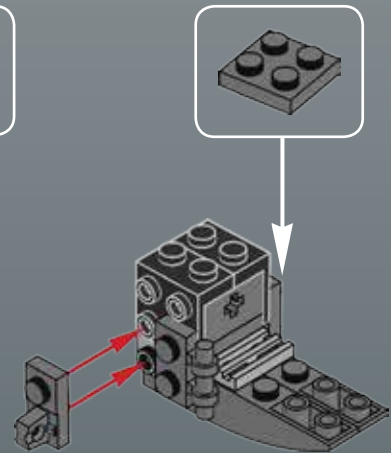
4



5

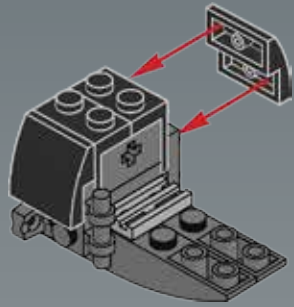


6

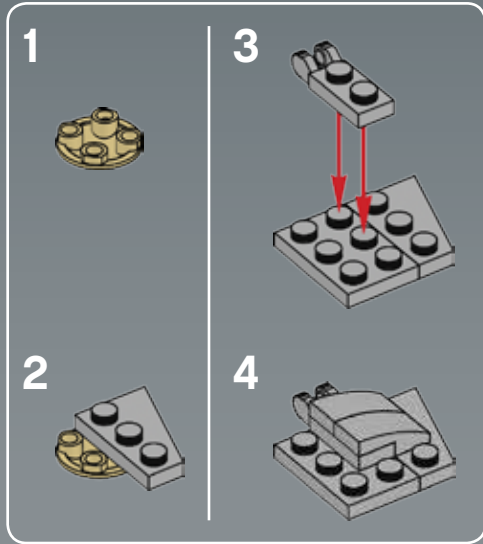




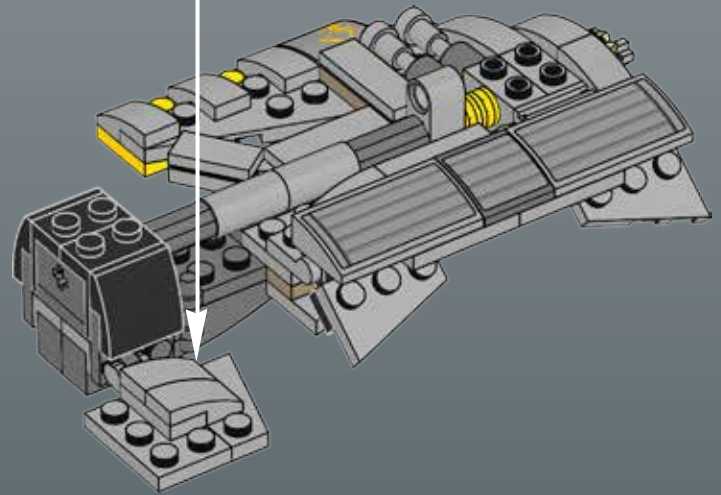
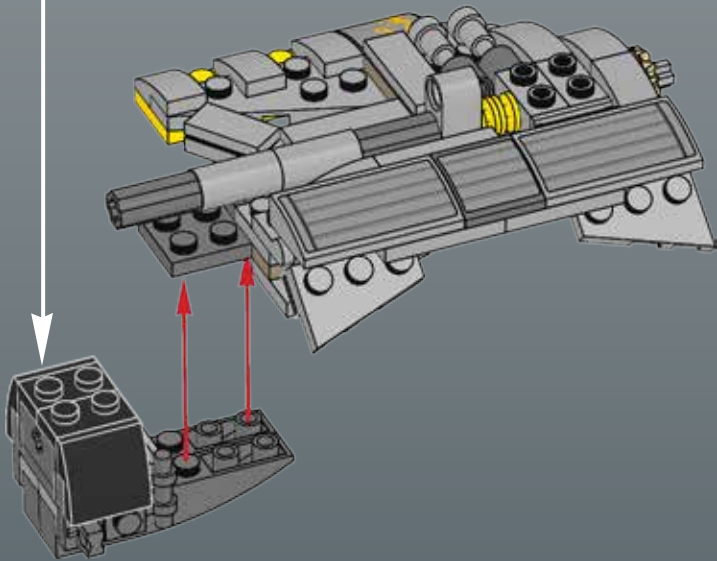
7



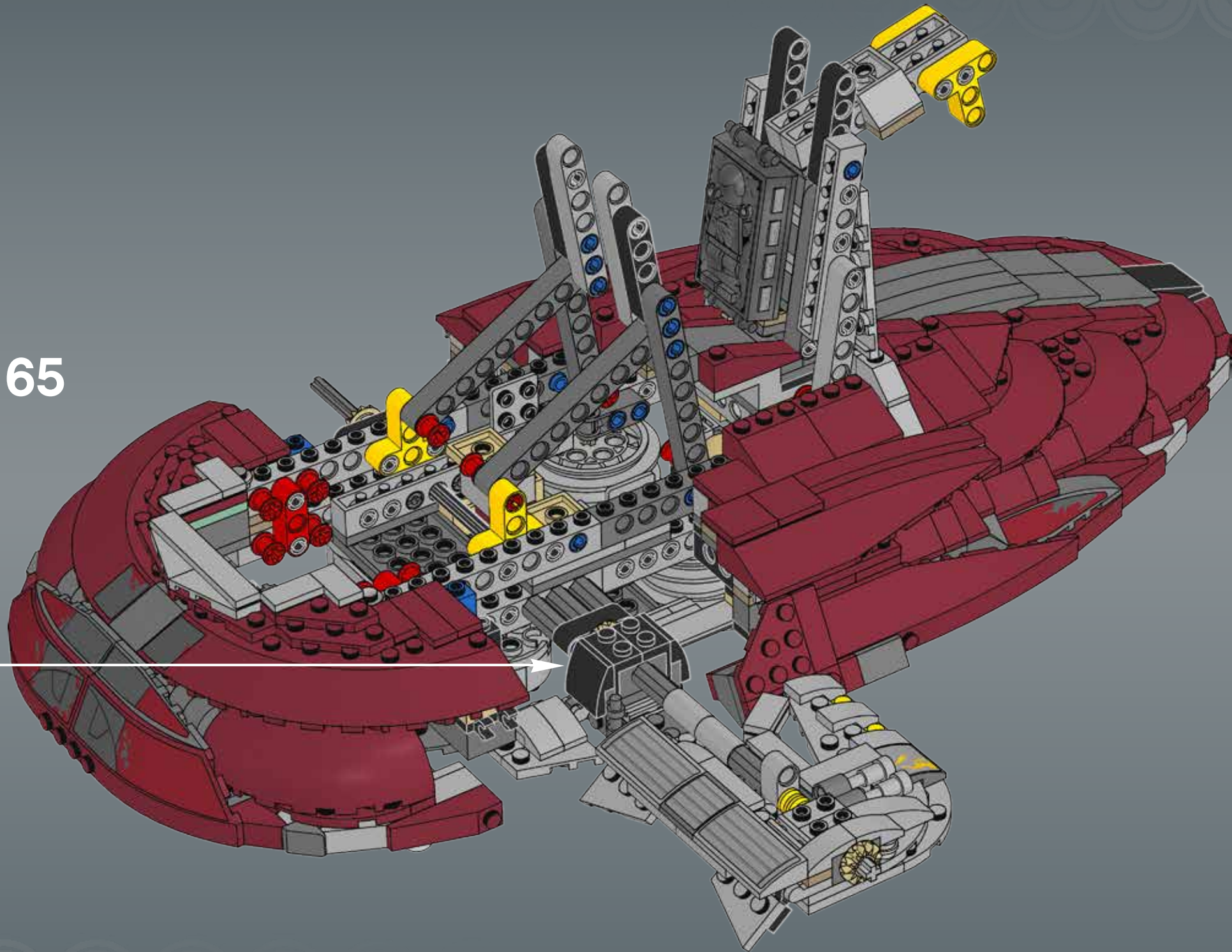
19

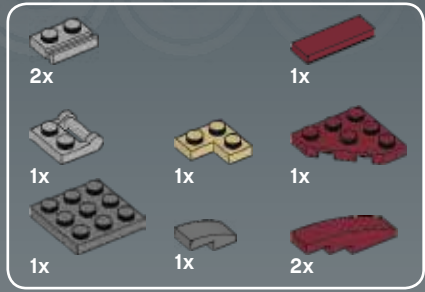


18



65





66

1



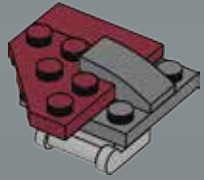
2



3



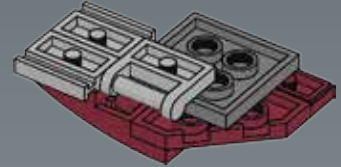
4



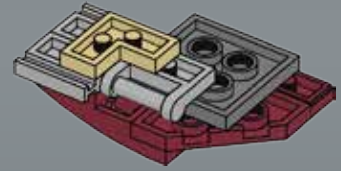
5



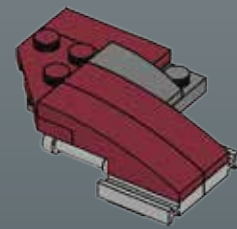
6

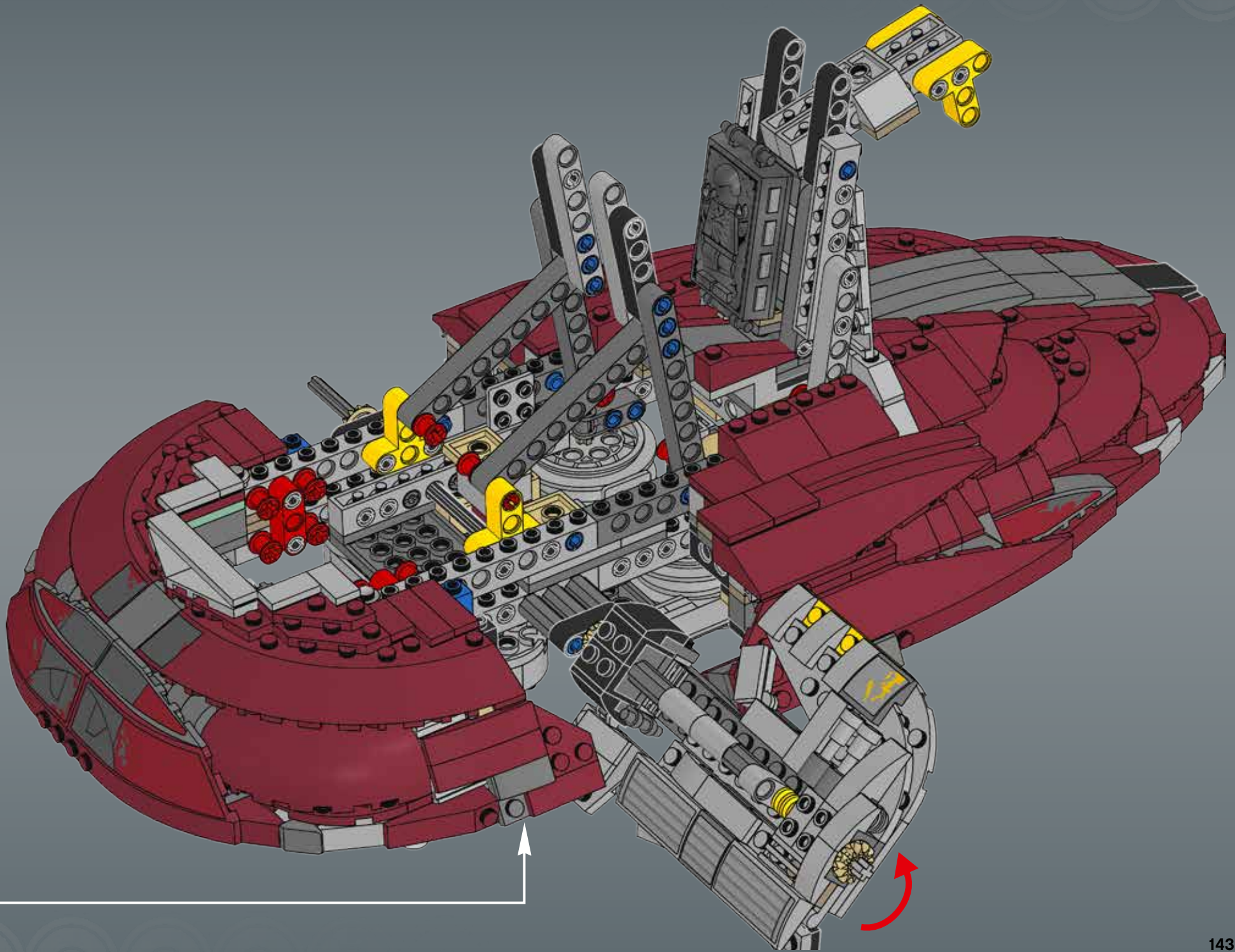


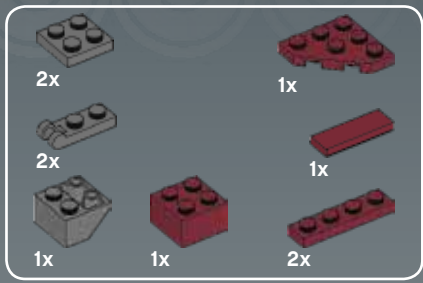
7



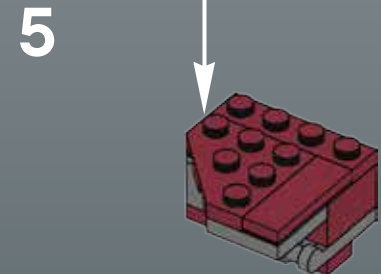
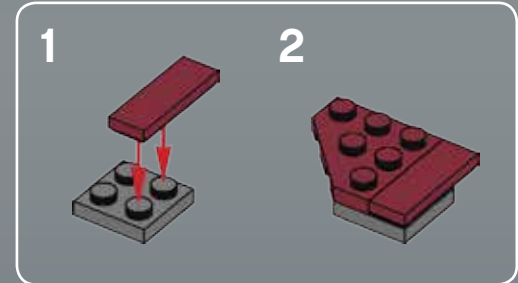
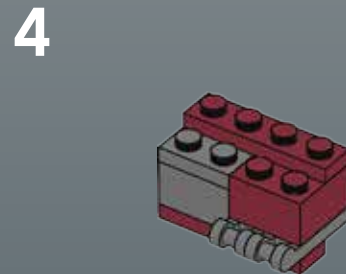
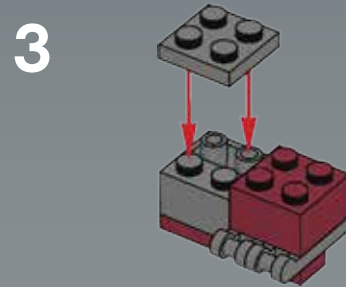
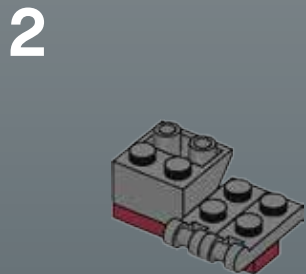
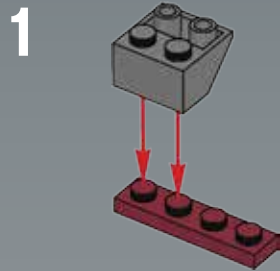
8

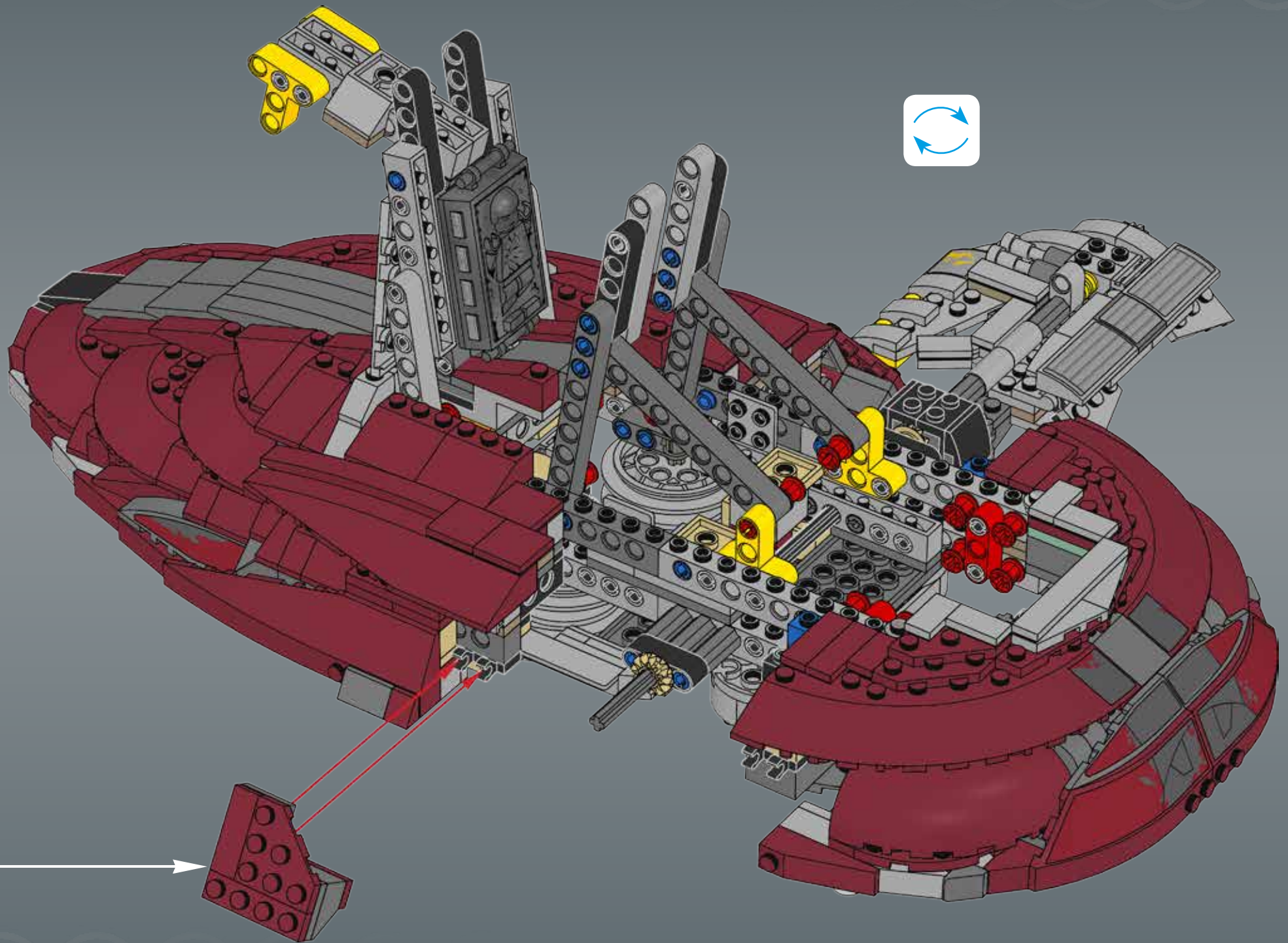


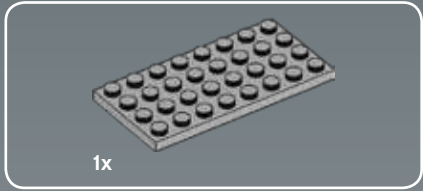
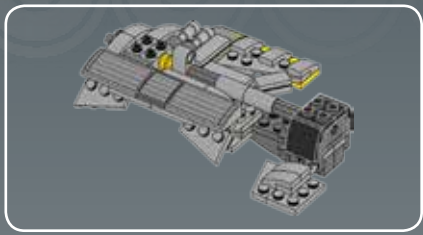




67

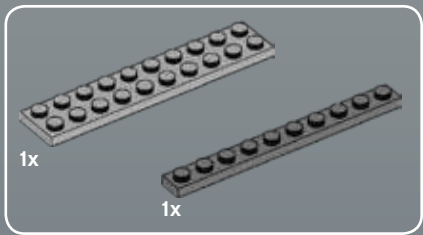
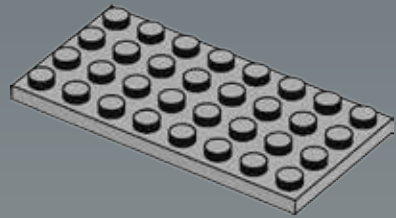






1x

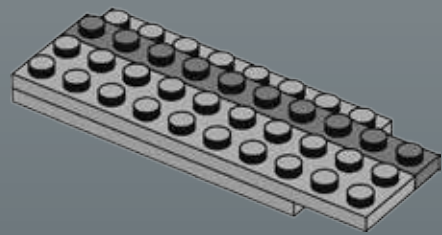
1



1x

1x

2

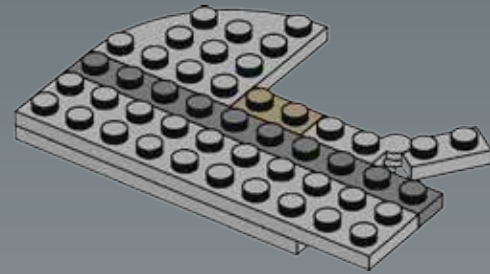


1x

1x

1x

3

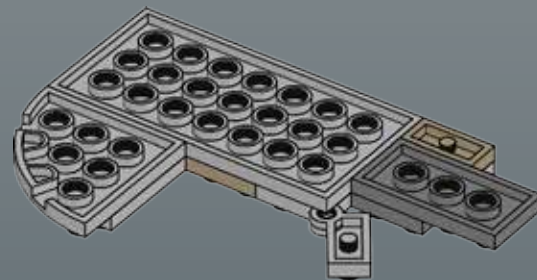


1x

1x

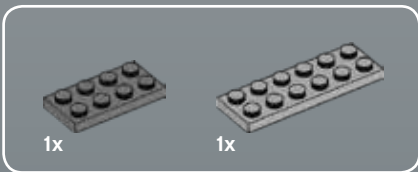
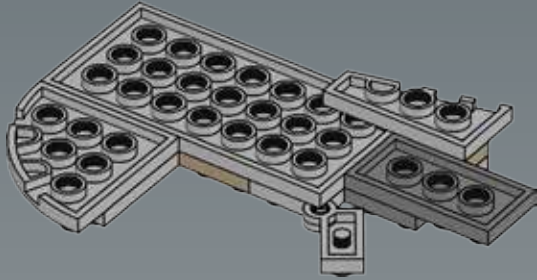
1x

4

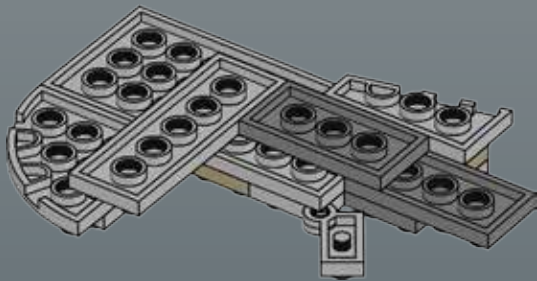




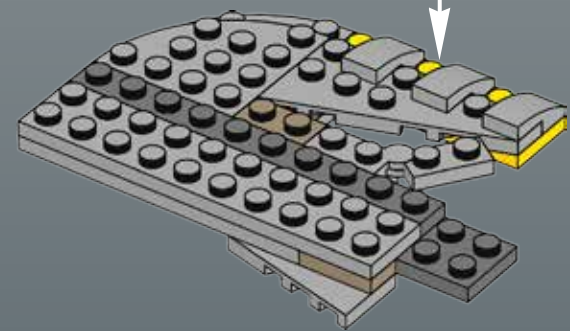
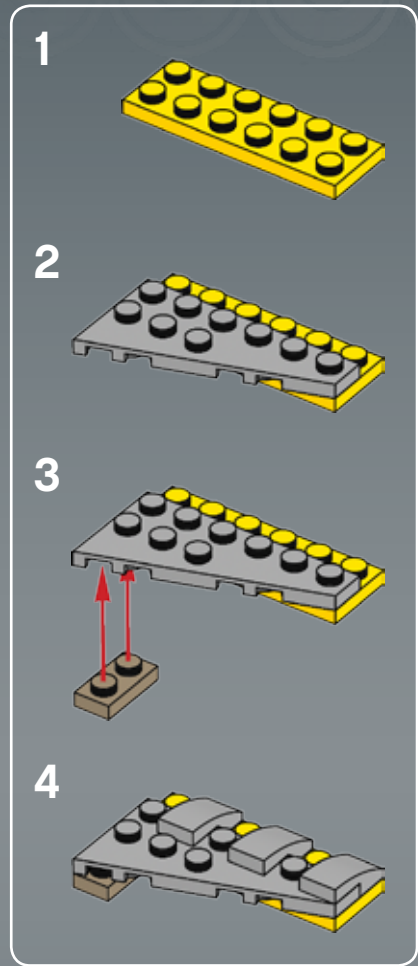
5



6

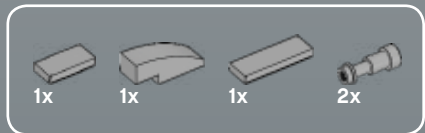
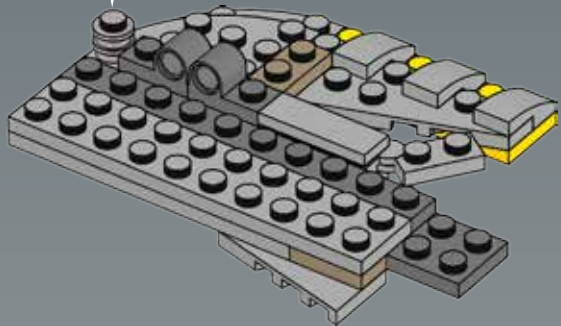
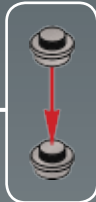


7

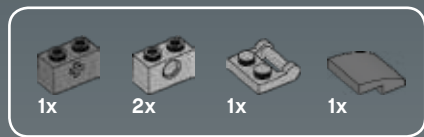
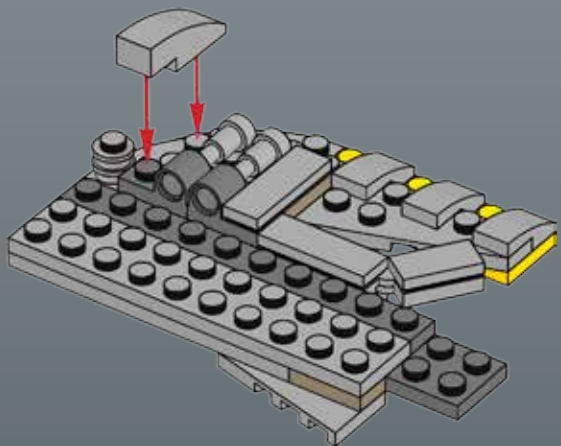




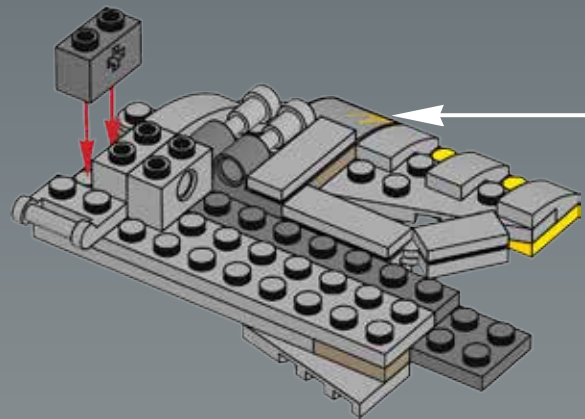
8



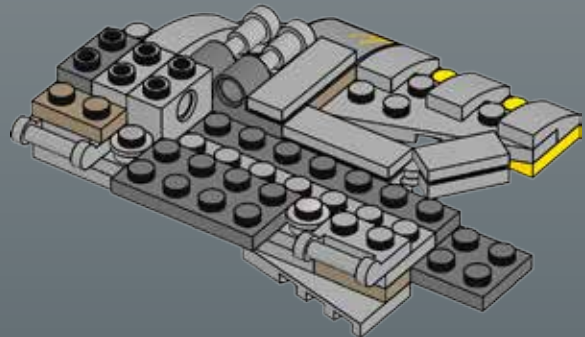
9



10

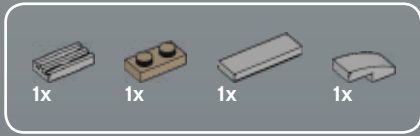
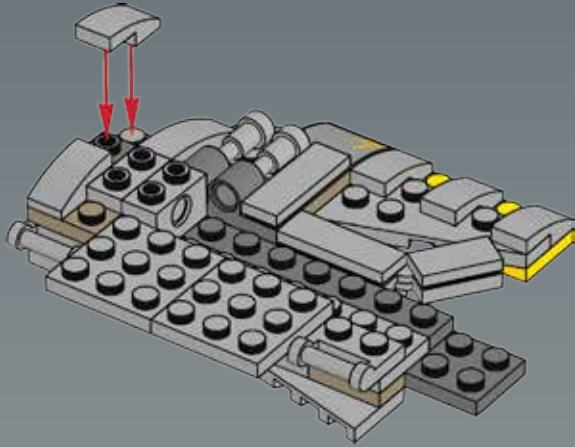


11

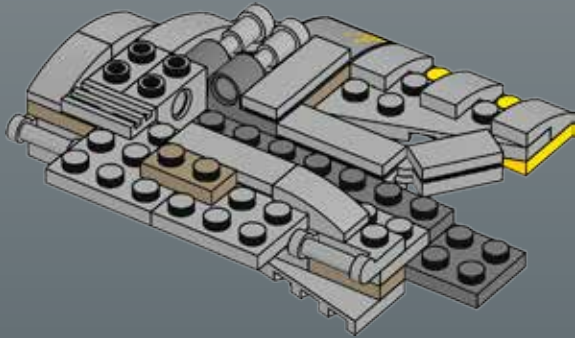




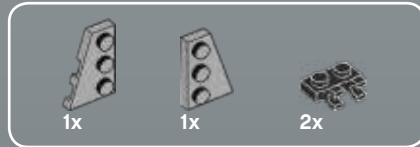
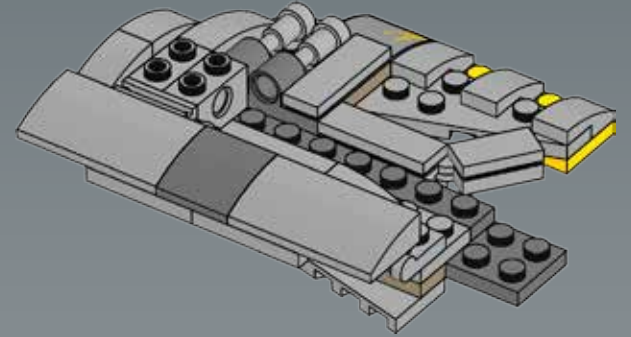
12



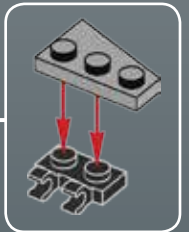
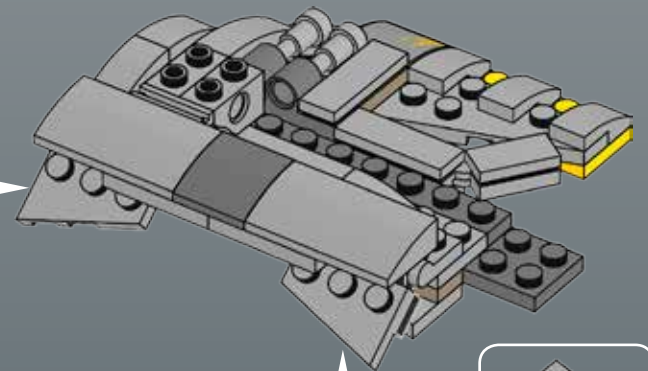
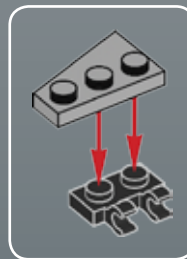
13

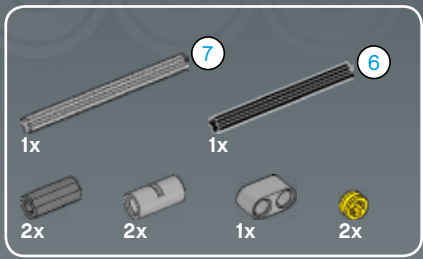


14

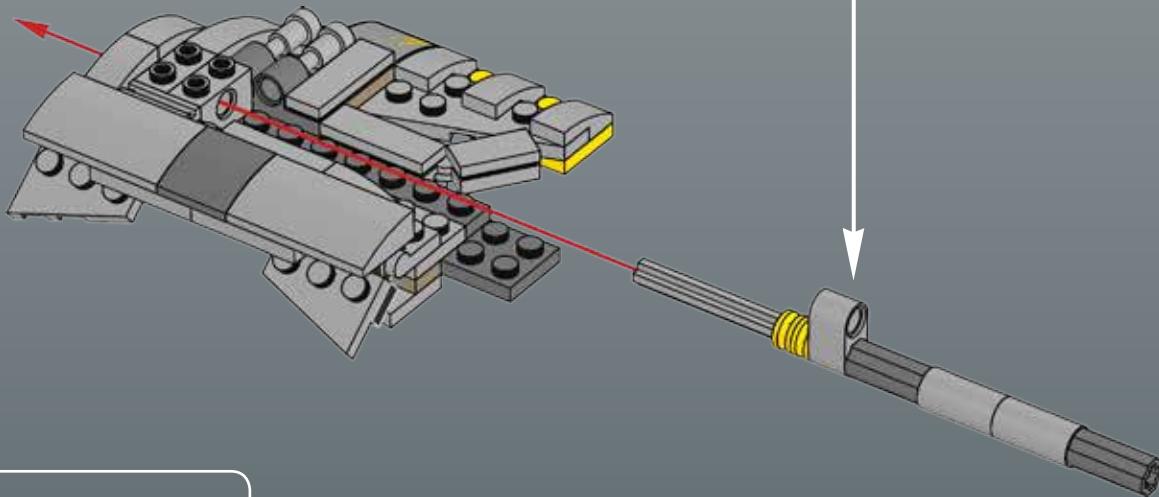
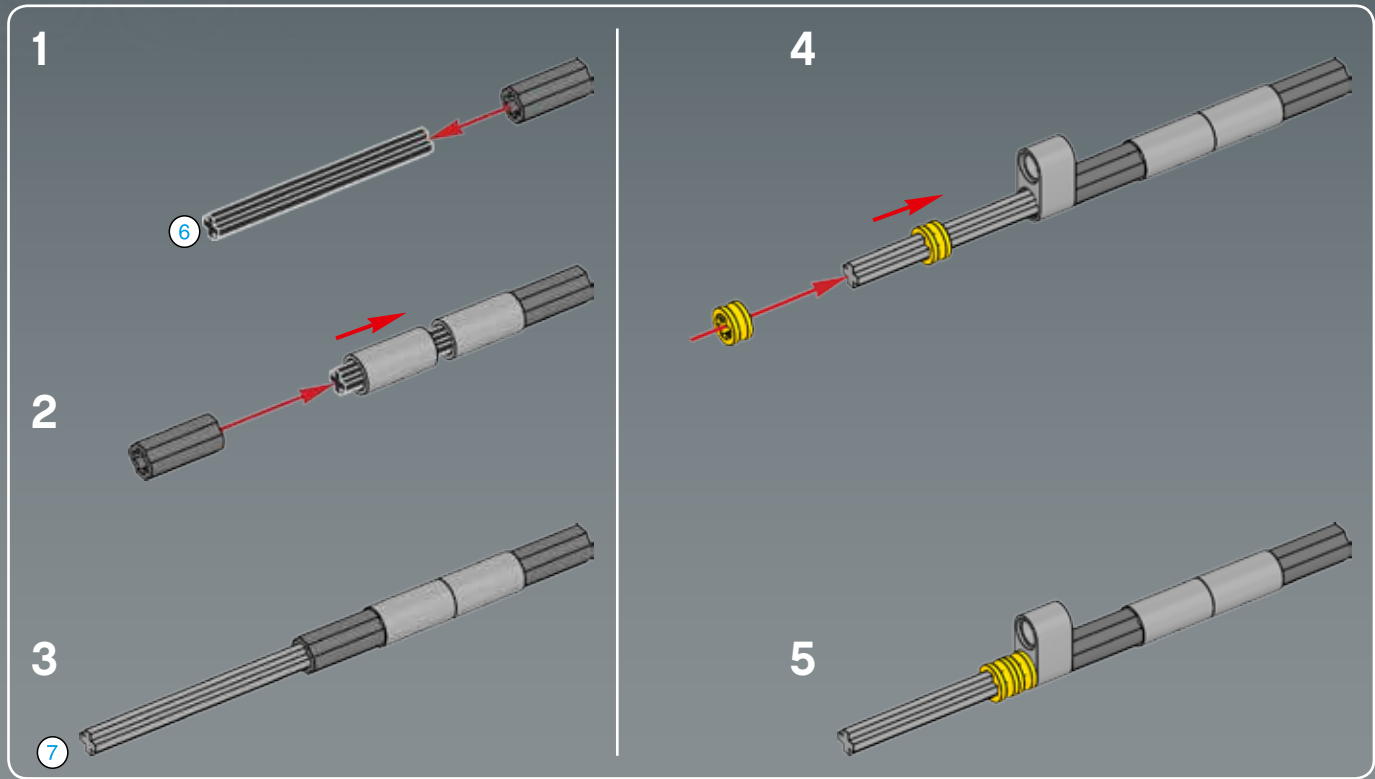


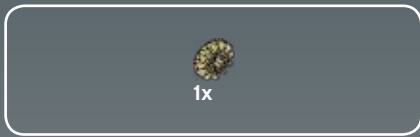
15



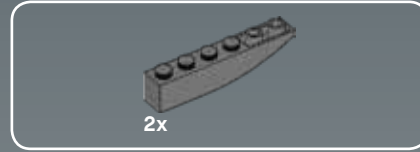
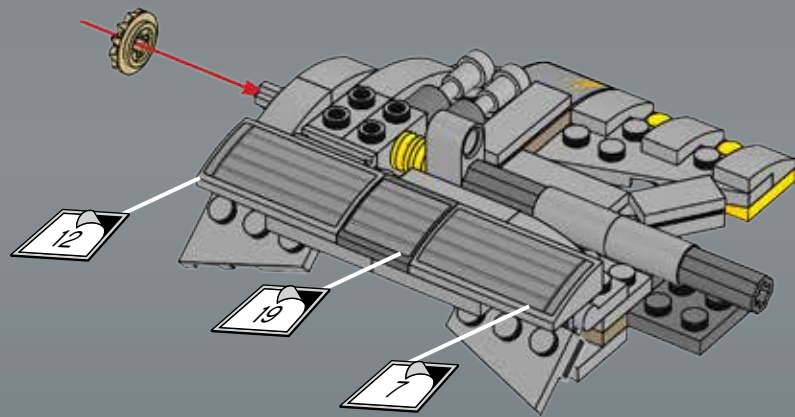


16

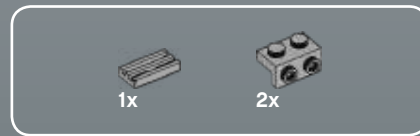
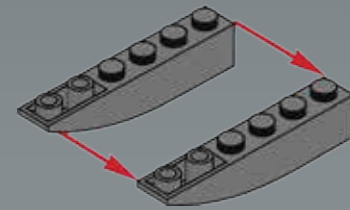




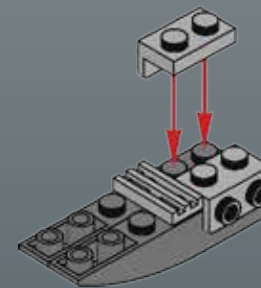
17



1

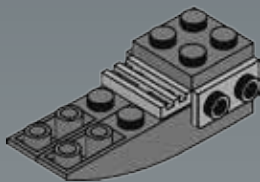


2

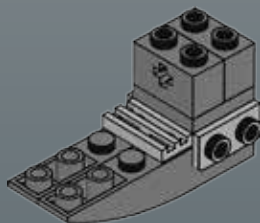




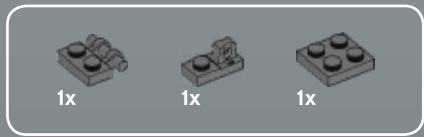
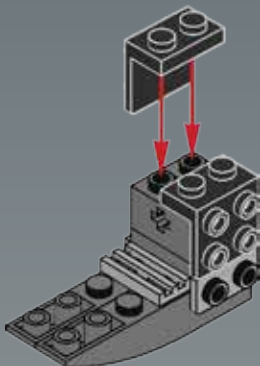
3



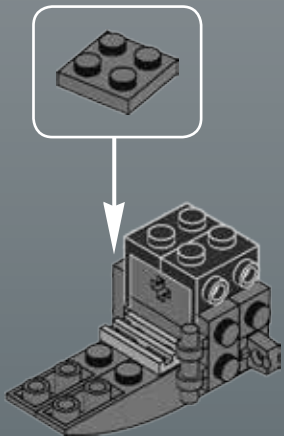
4



5

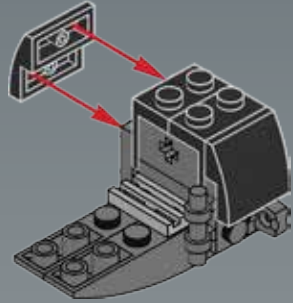


6

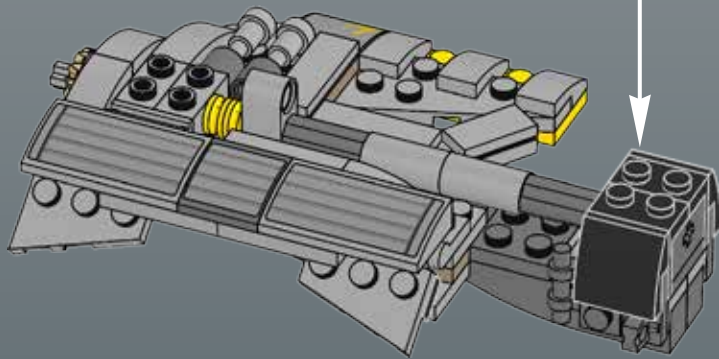




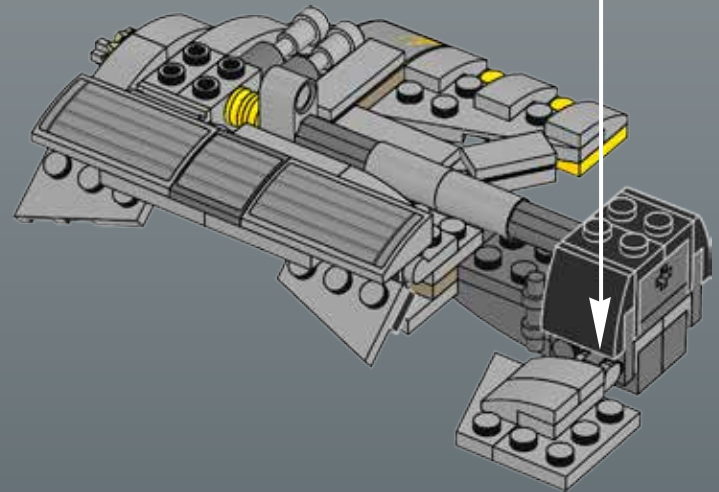
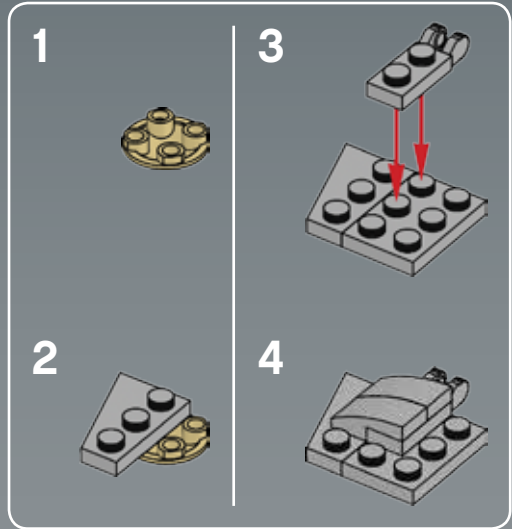
7



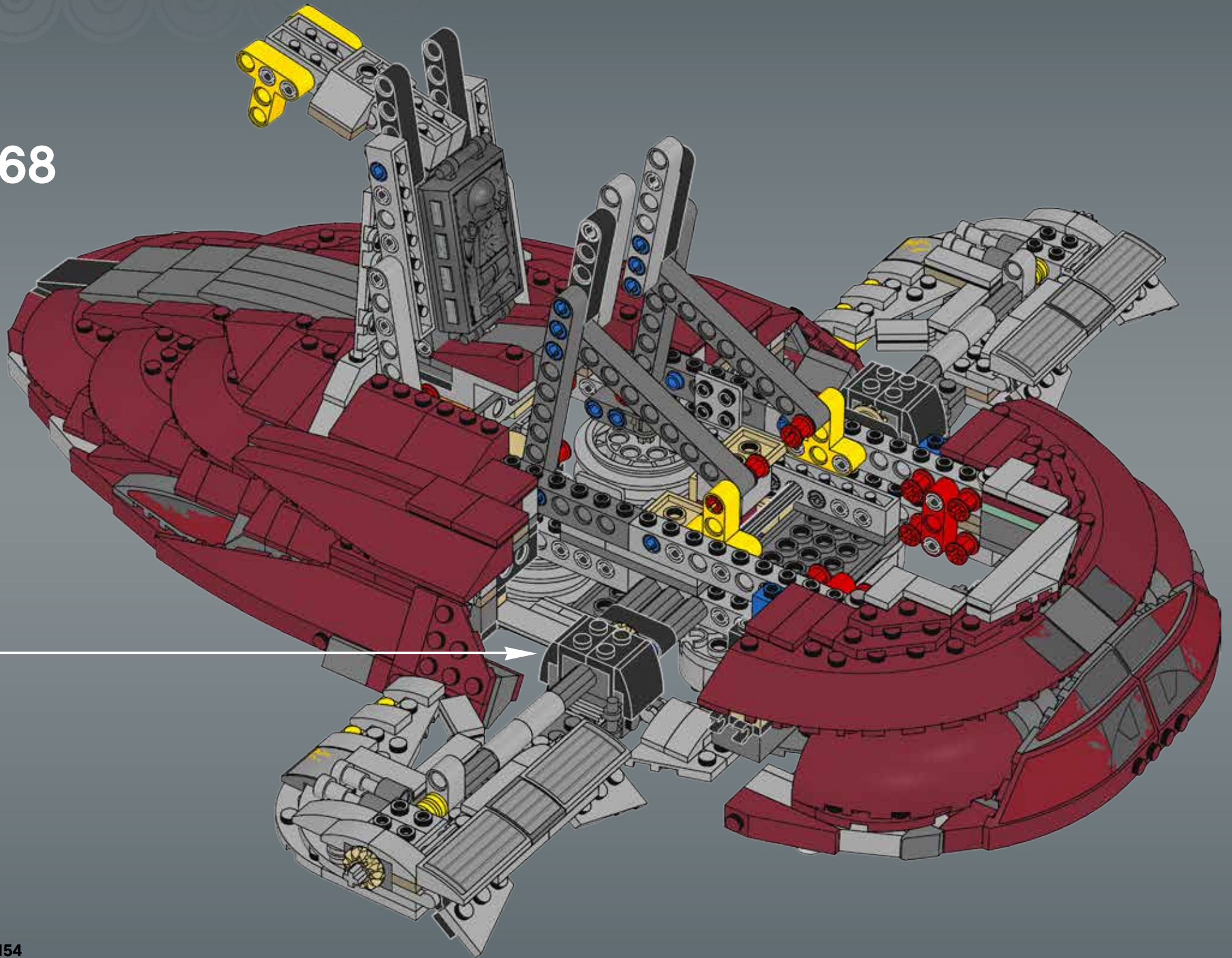
18

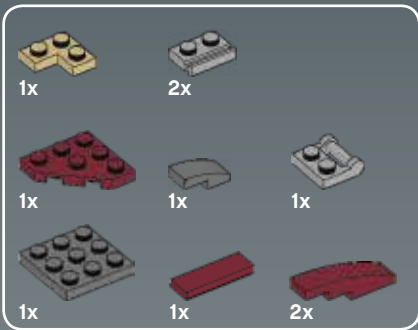


19



68





69

1



2



3



4



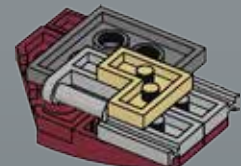
5



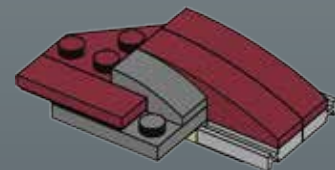
6

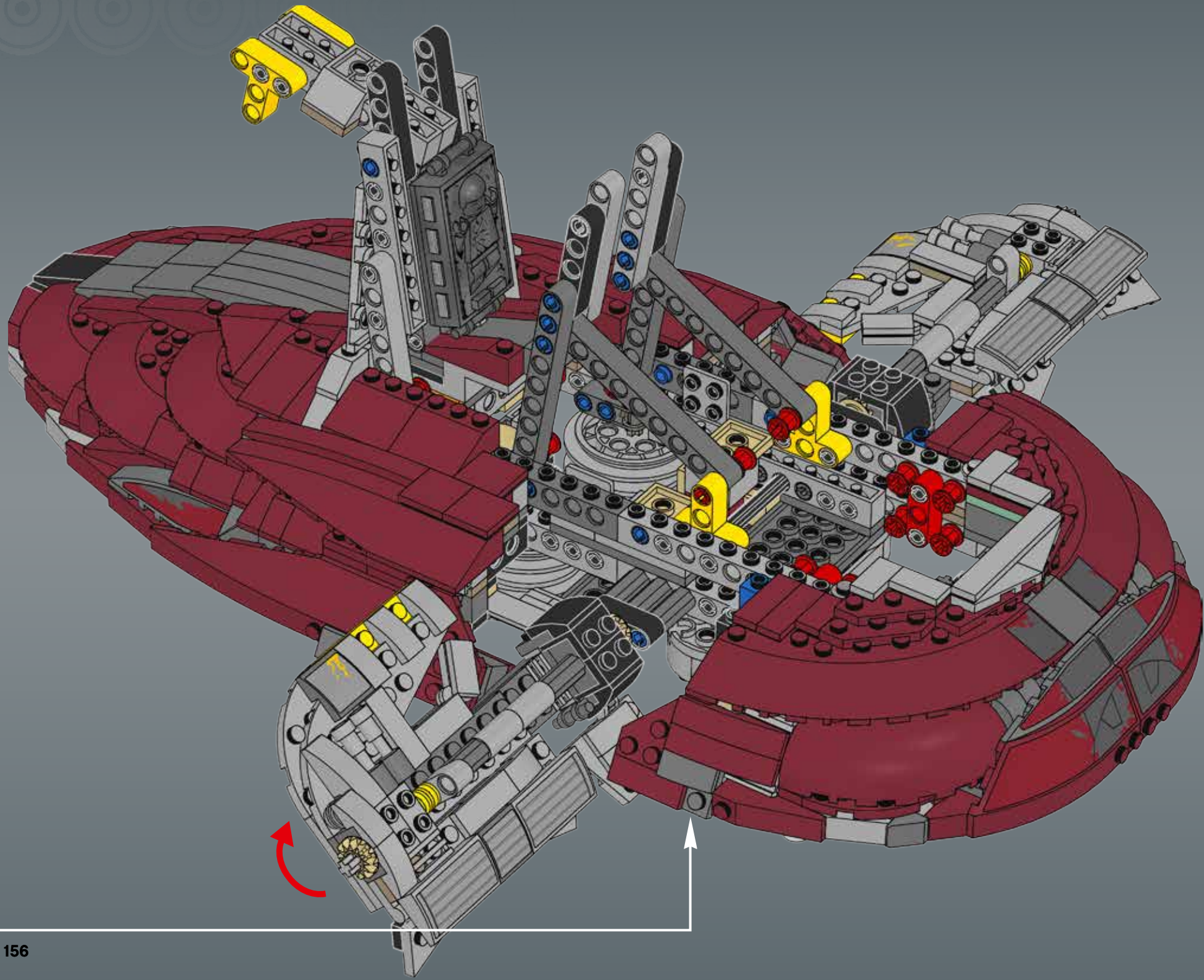


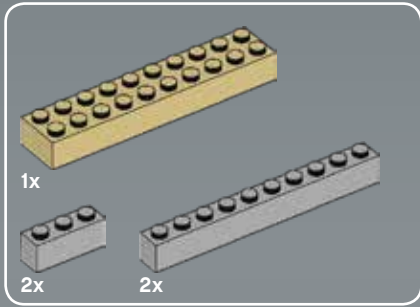
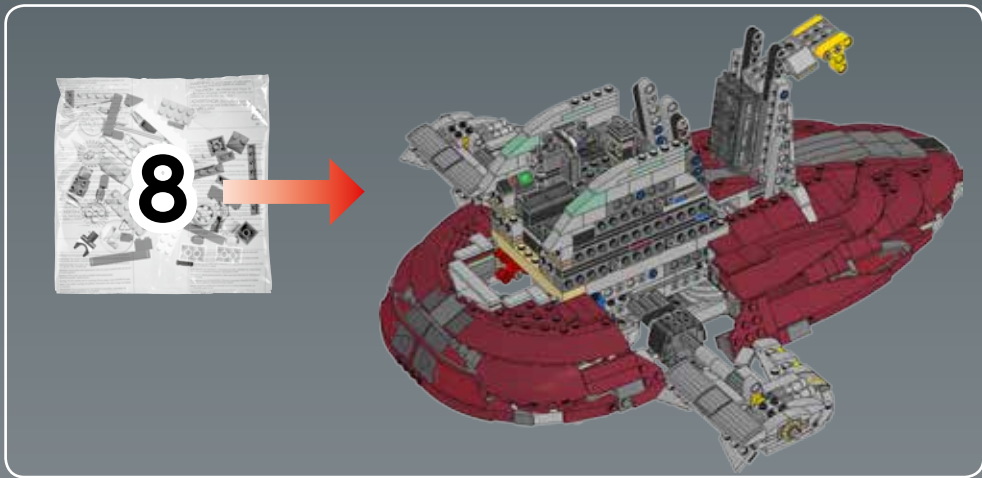
7



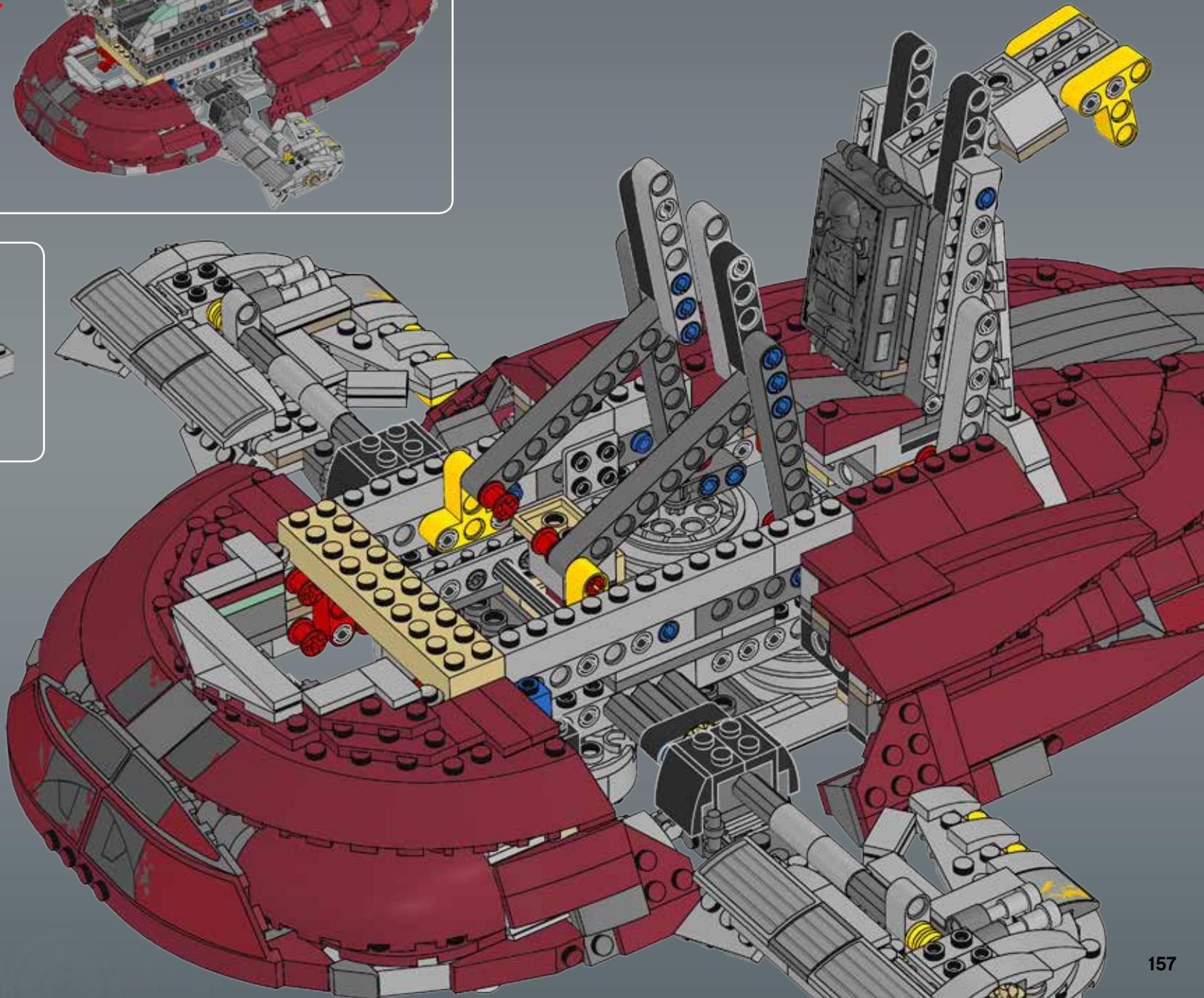
8

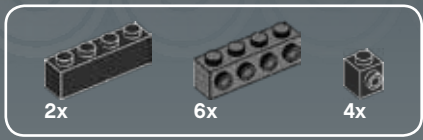




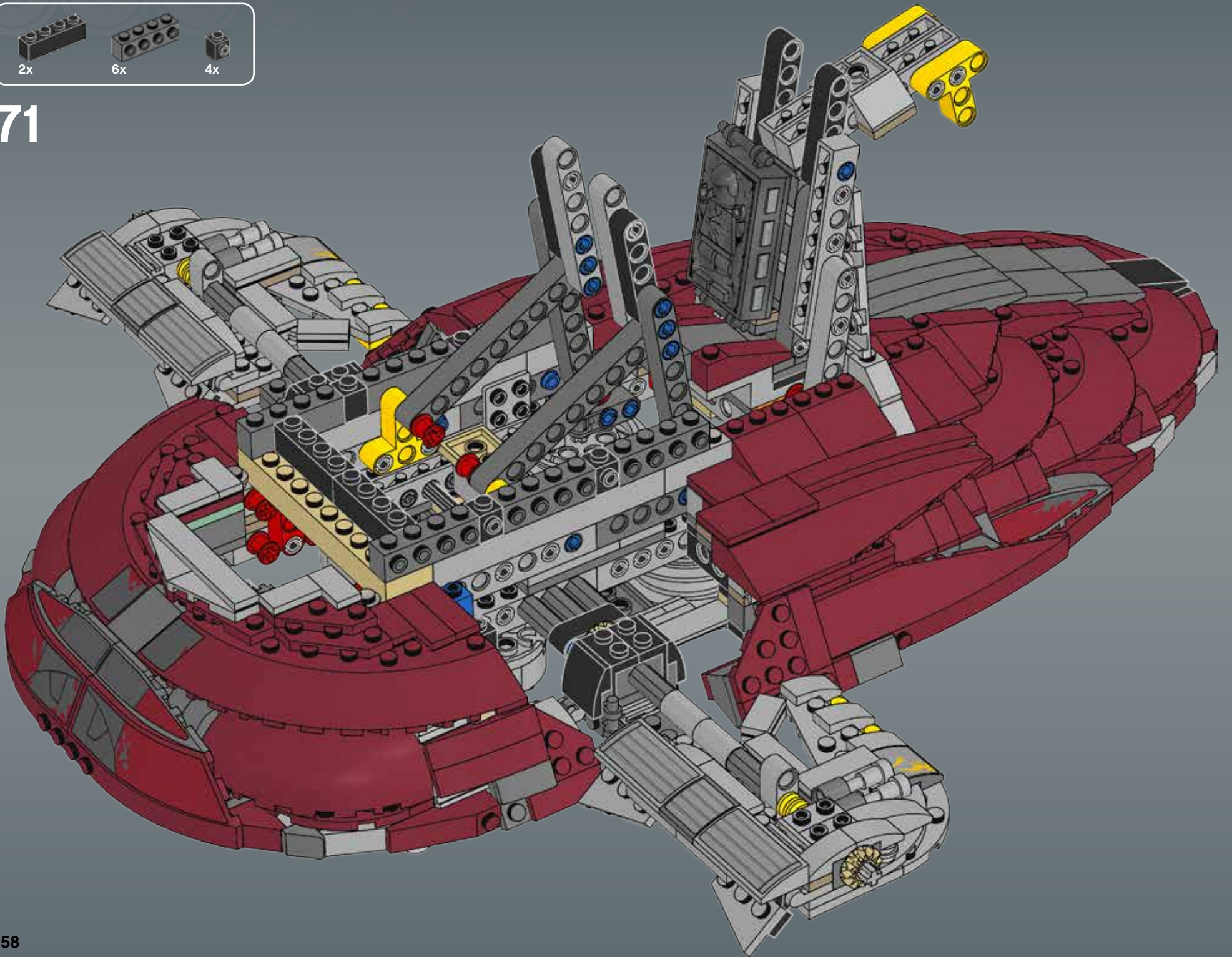


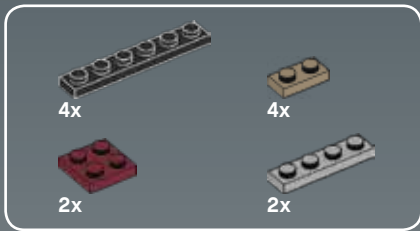
70



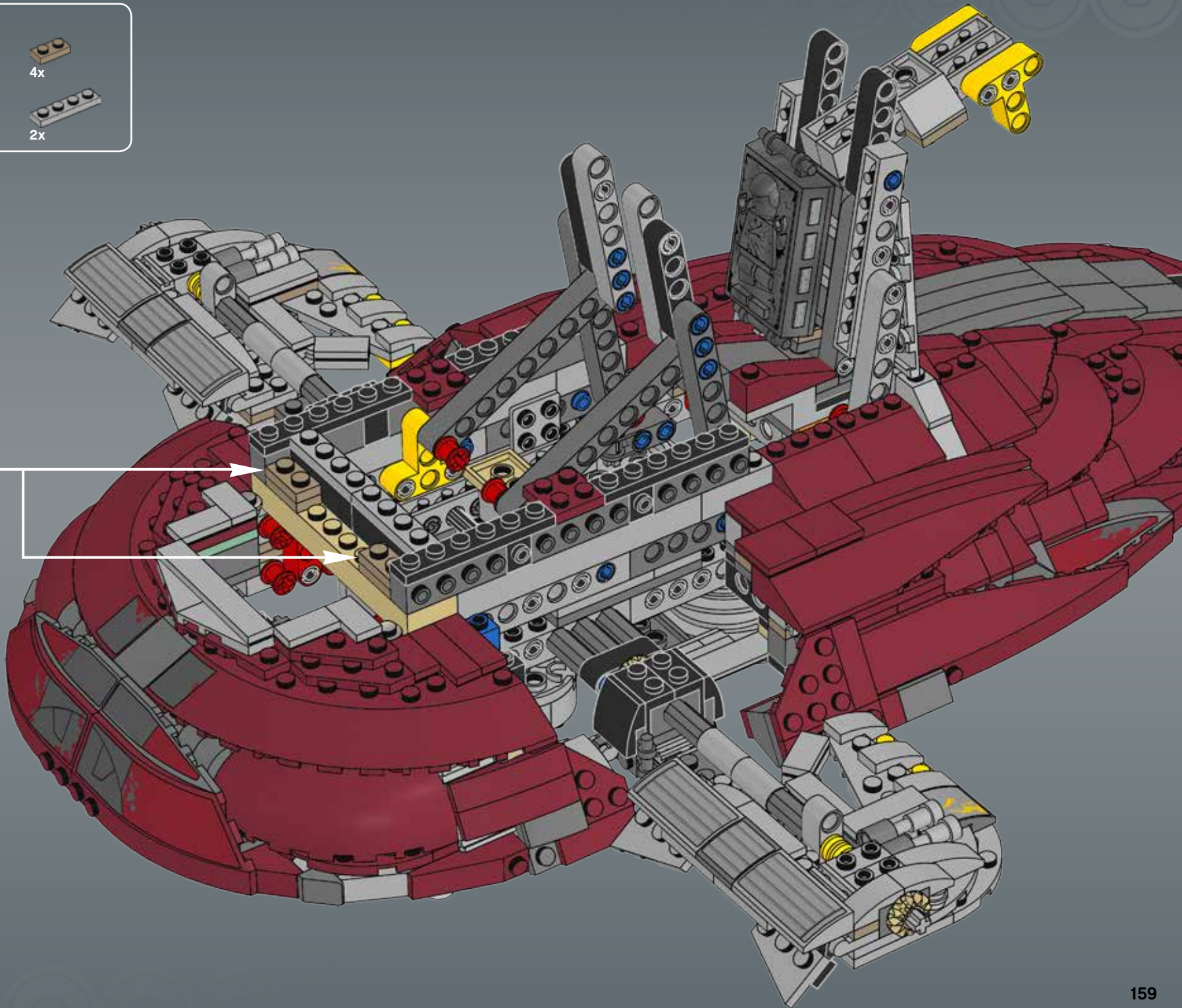
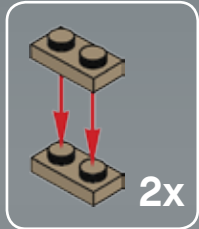





71



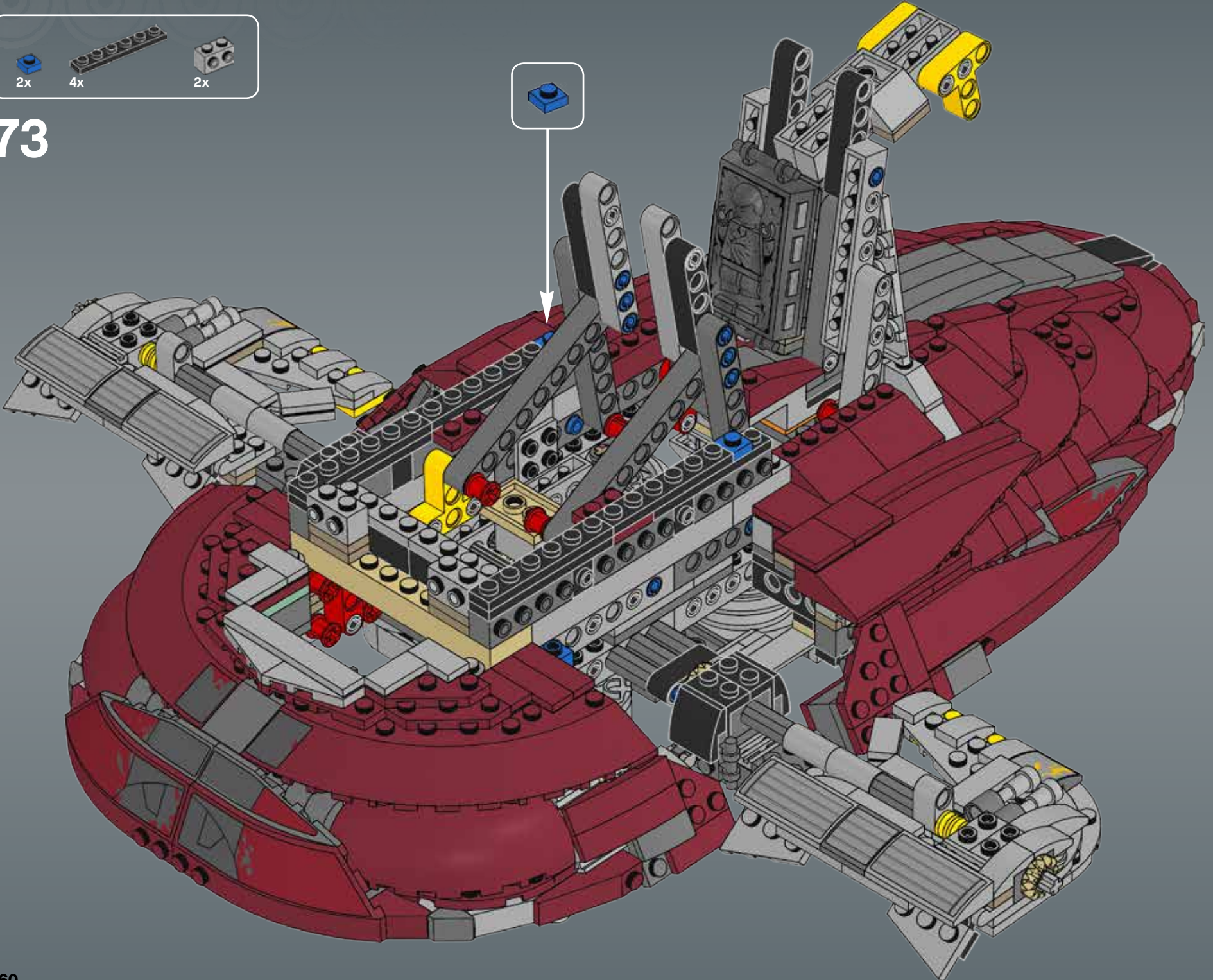


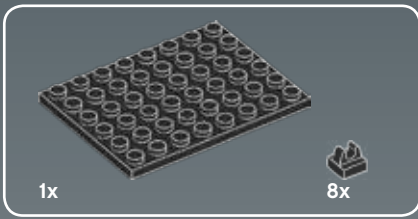
72



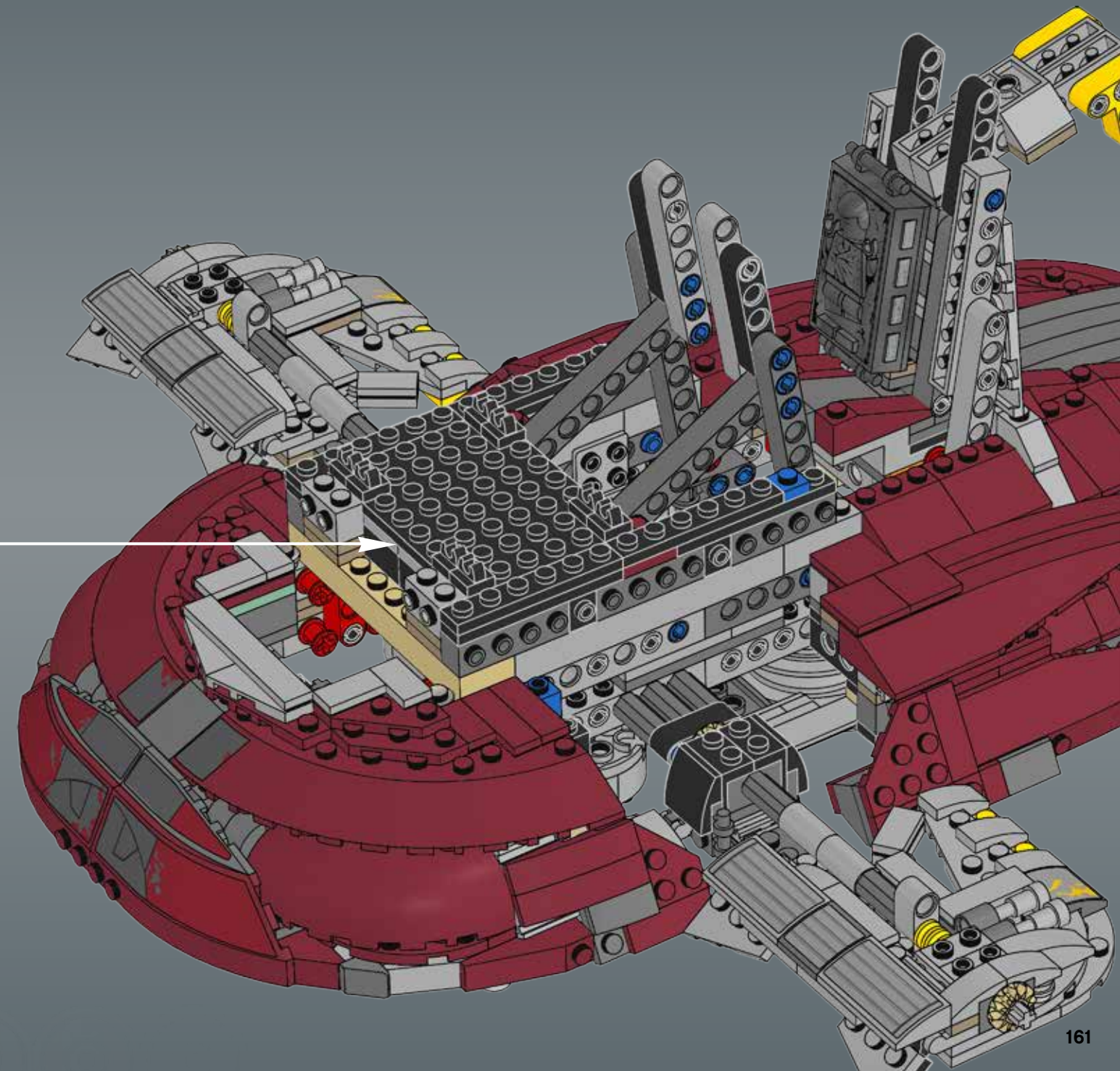
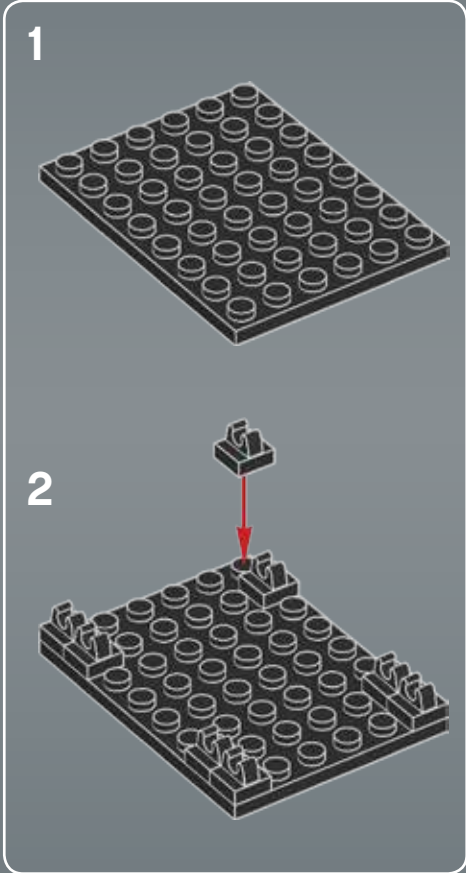
- 2x 
- 4x 
- 2x 

73





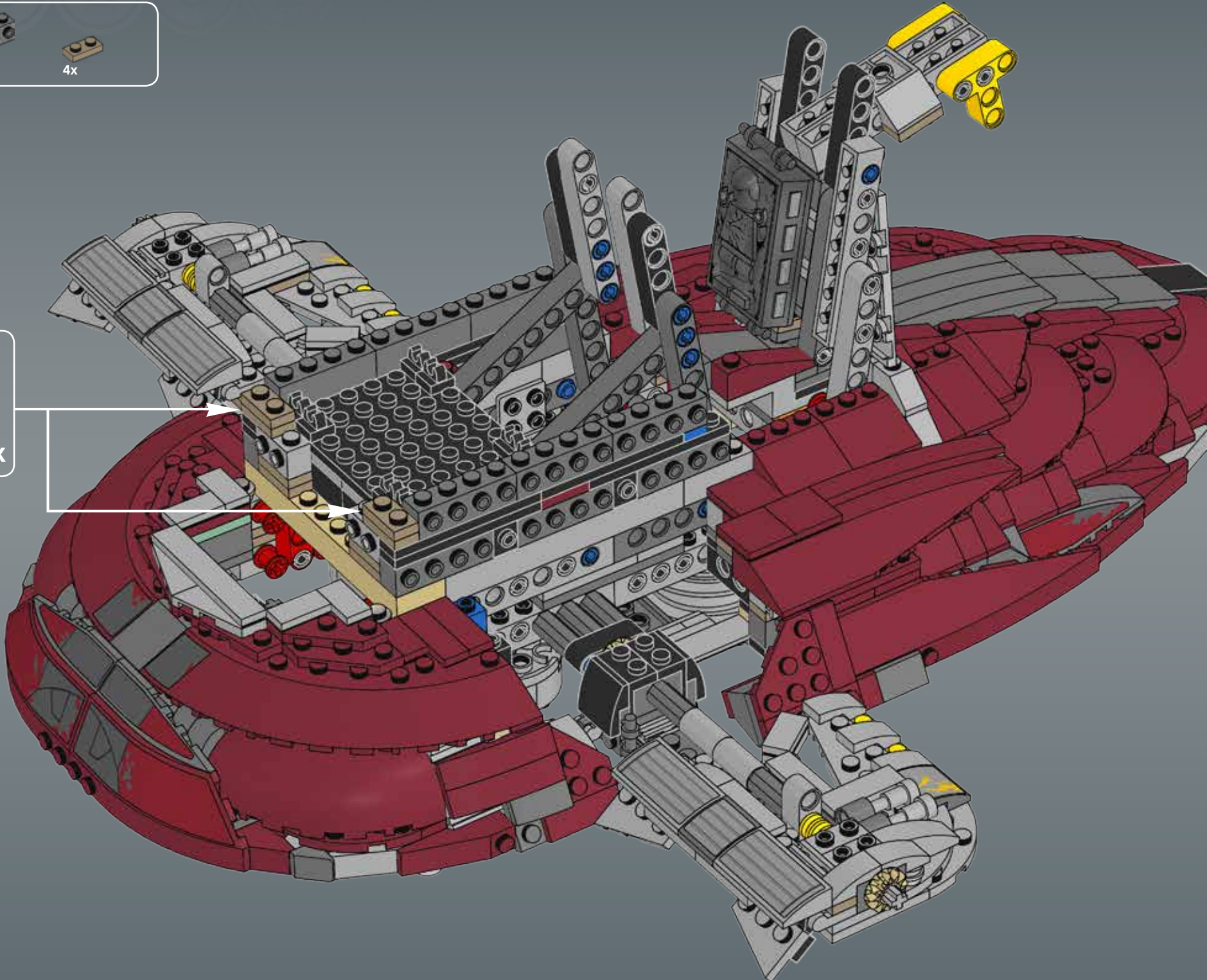
74



6x
4x

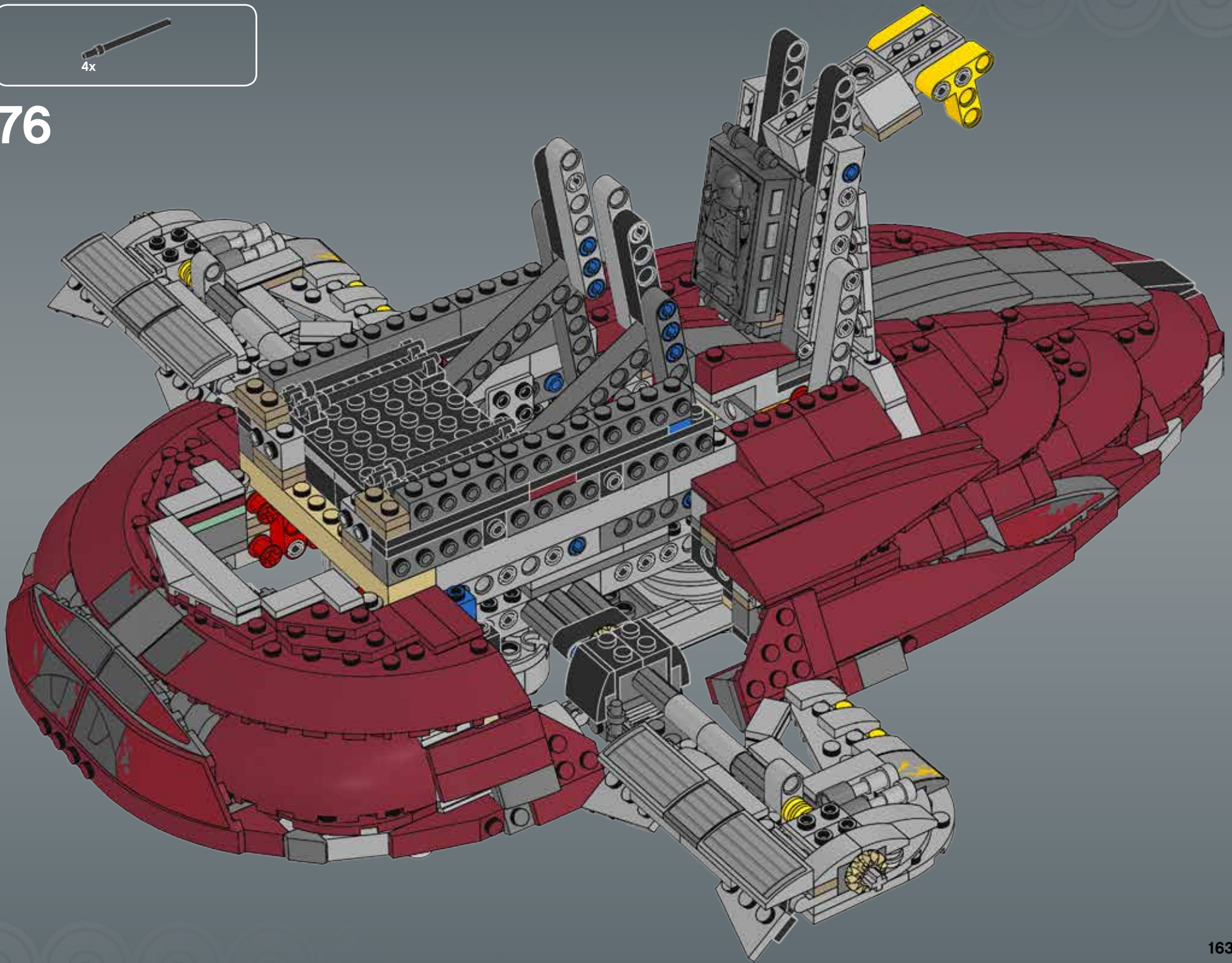
75

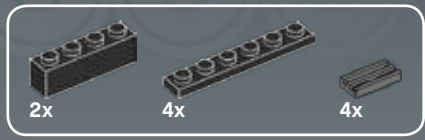
2x



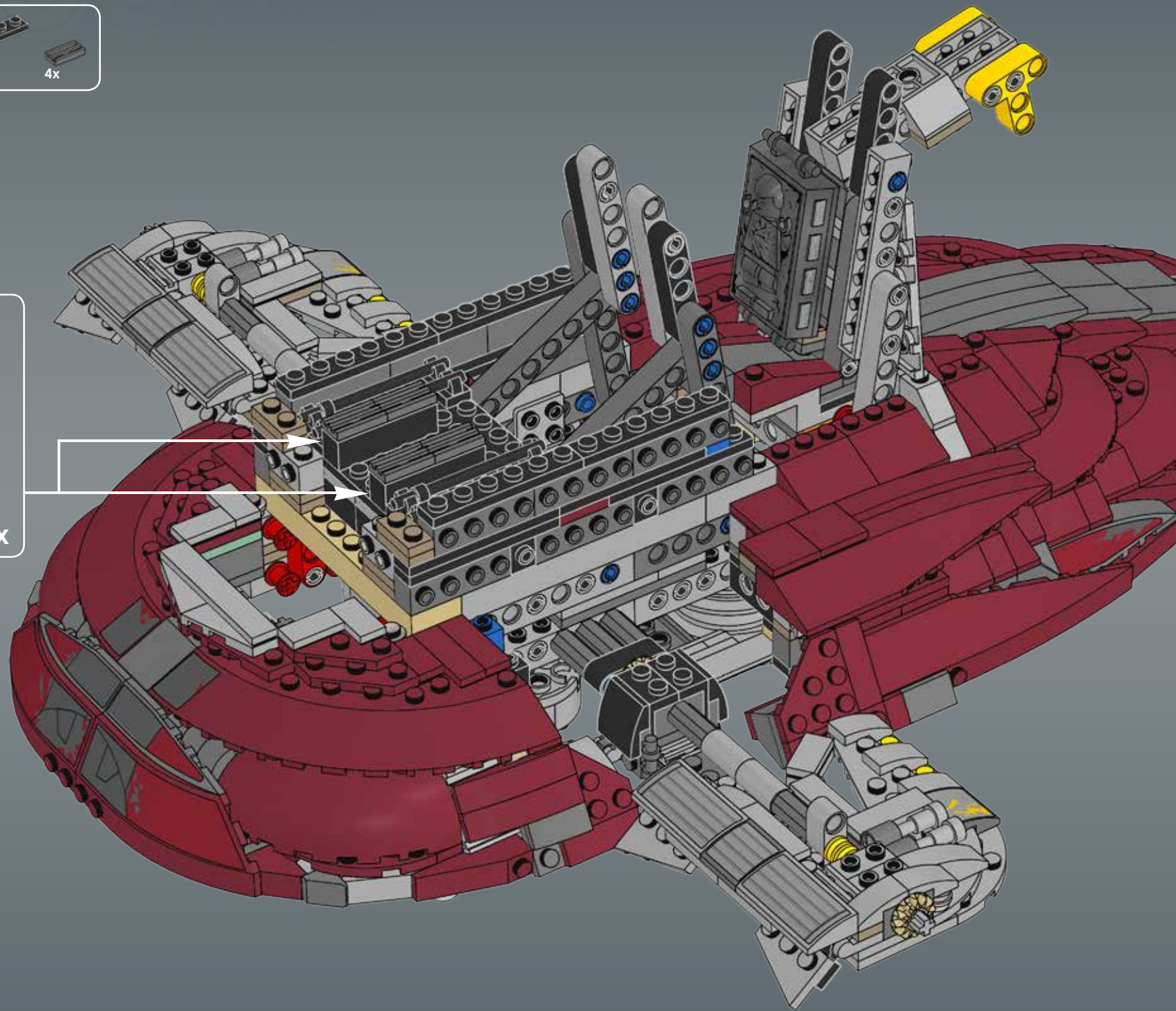
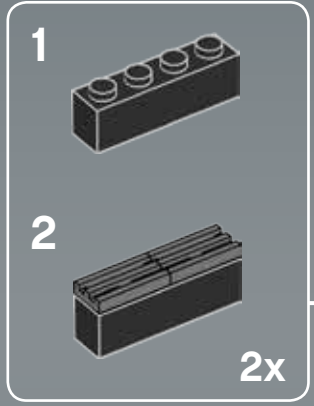


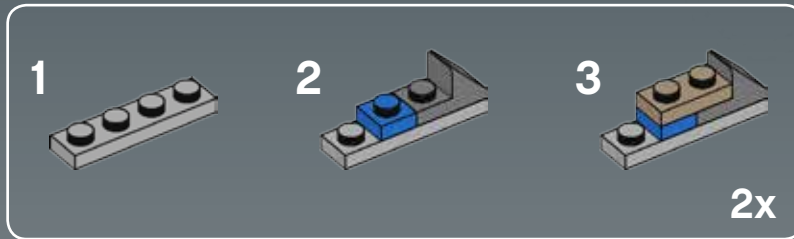
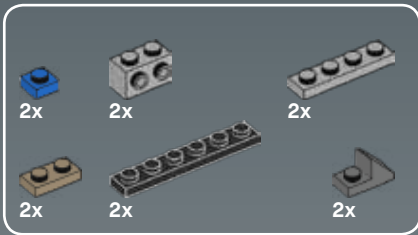
76



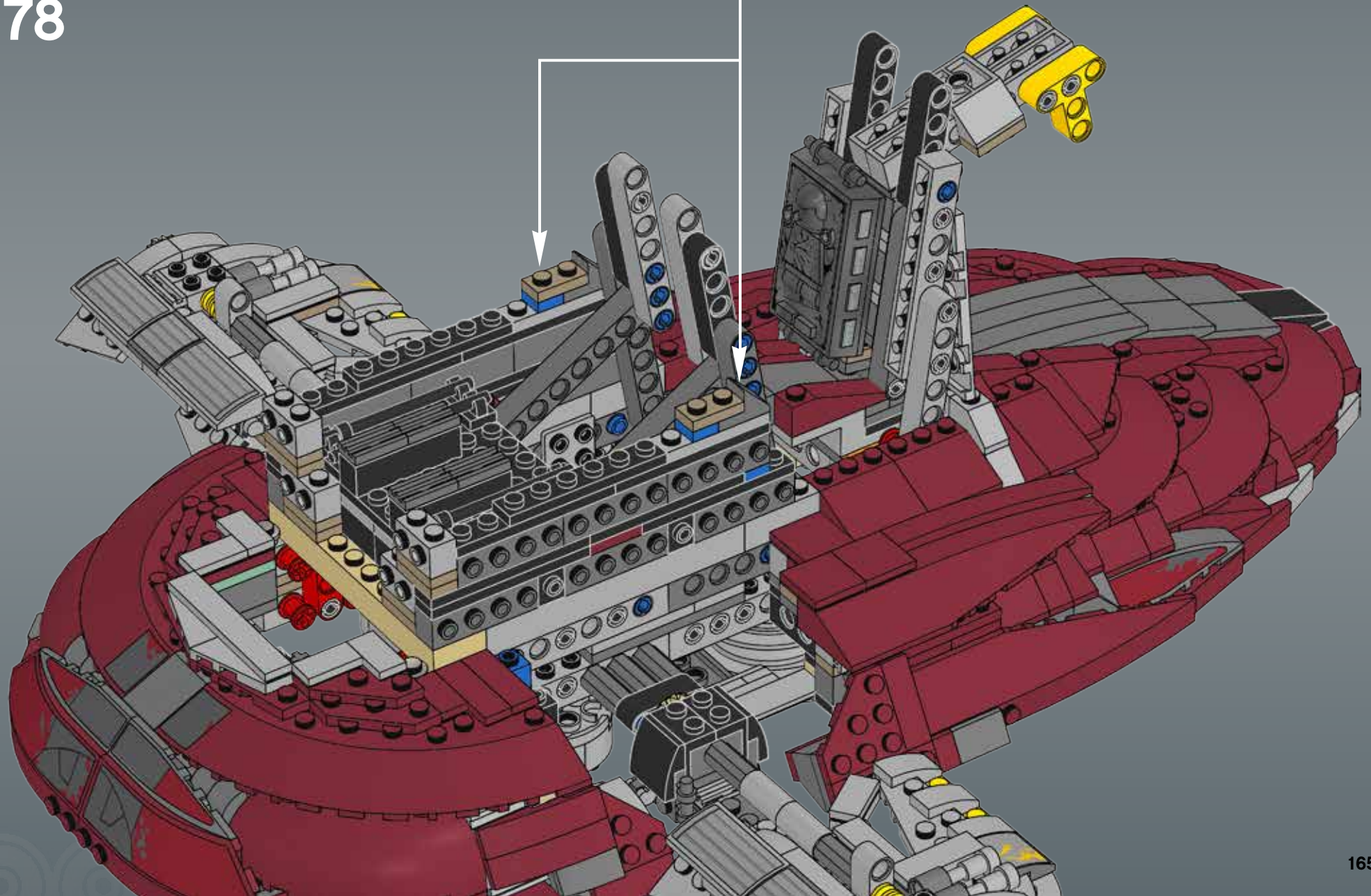


77





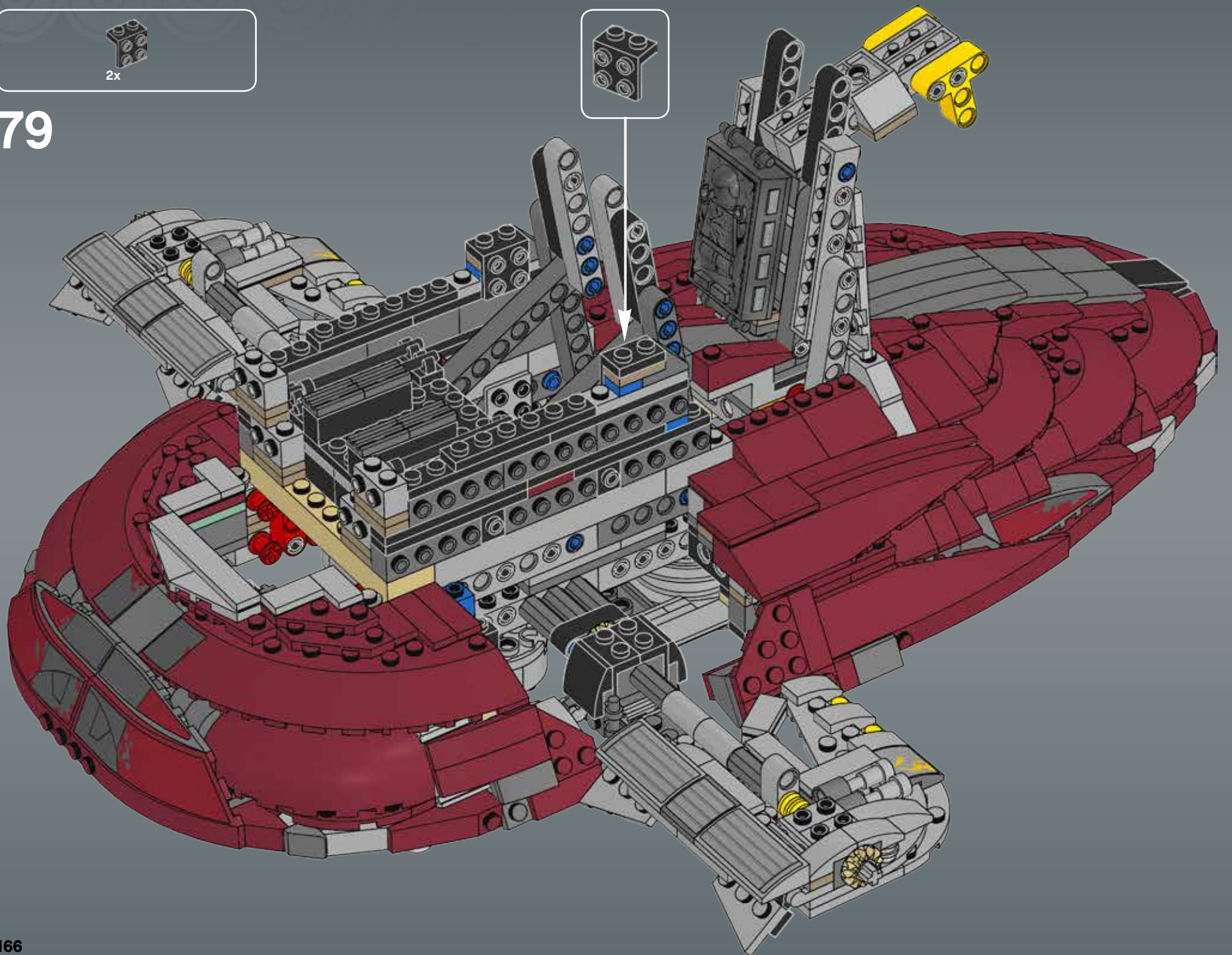
78

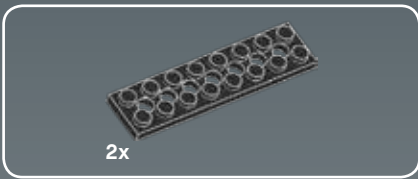




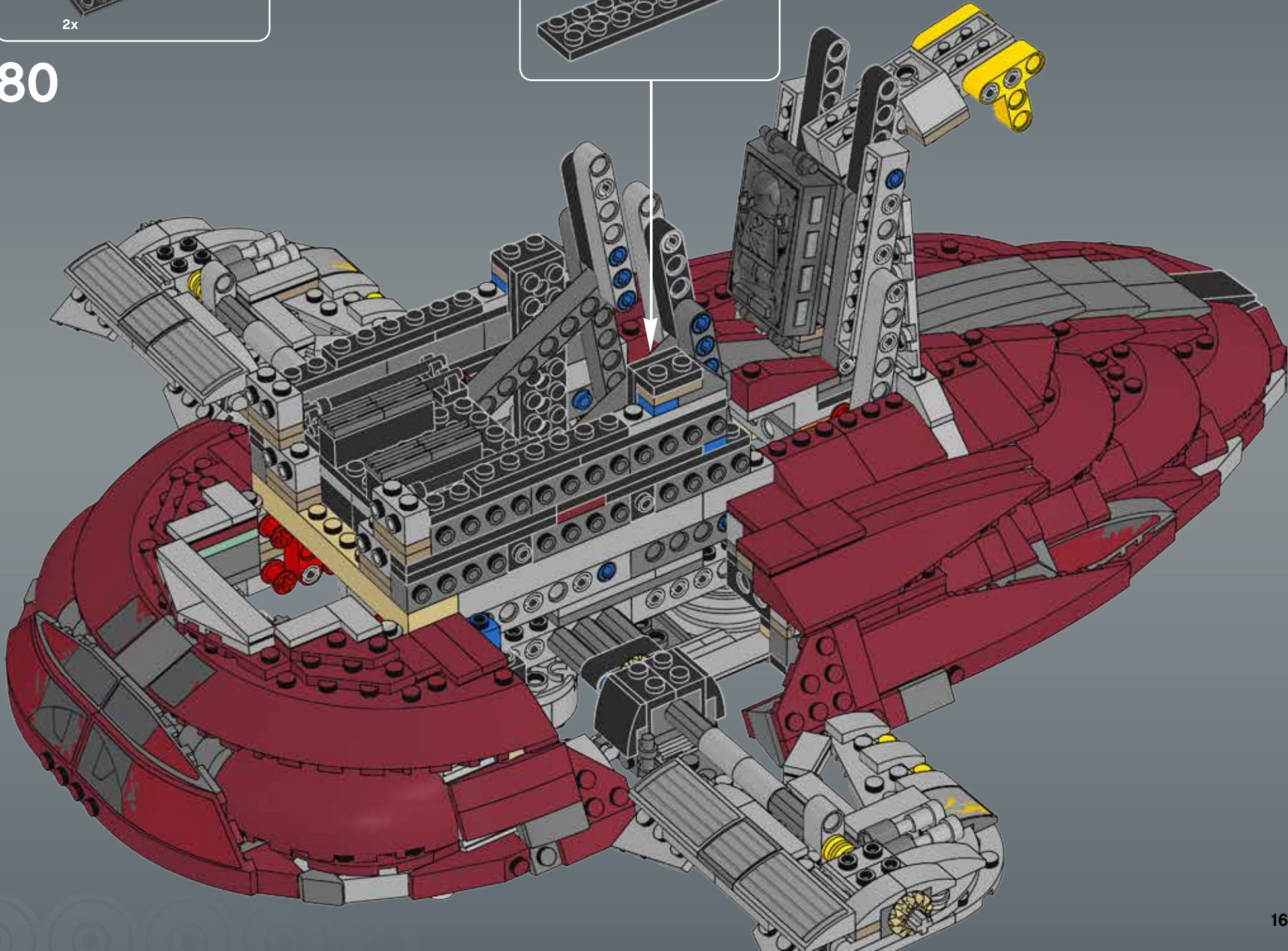
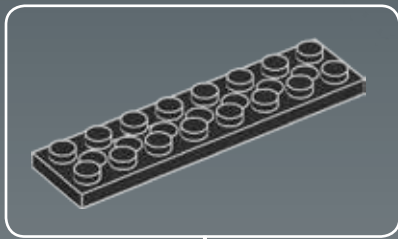
2x

79



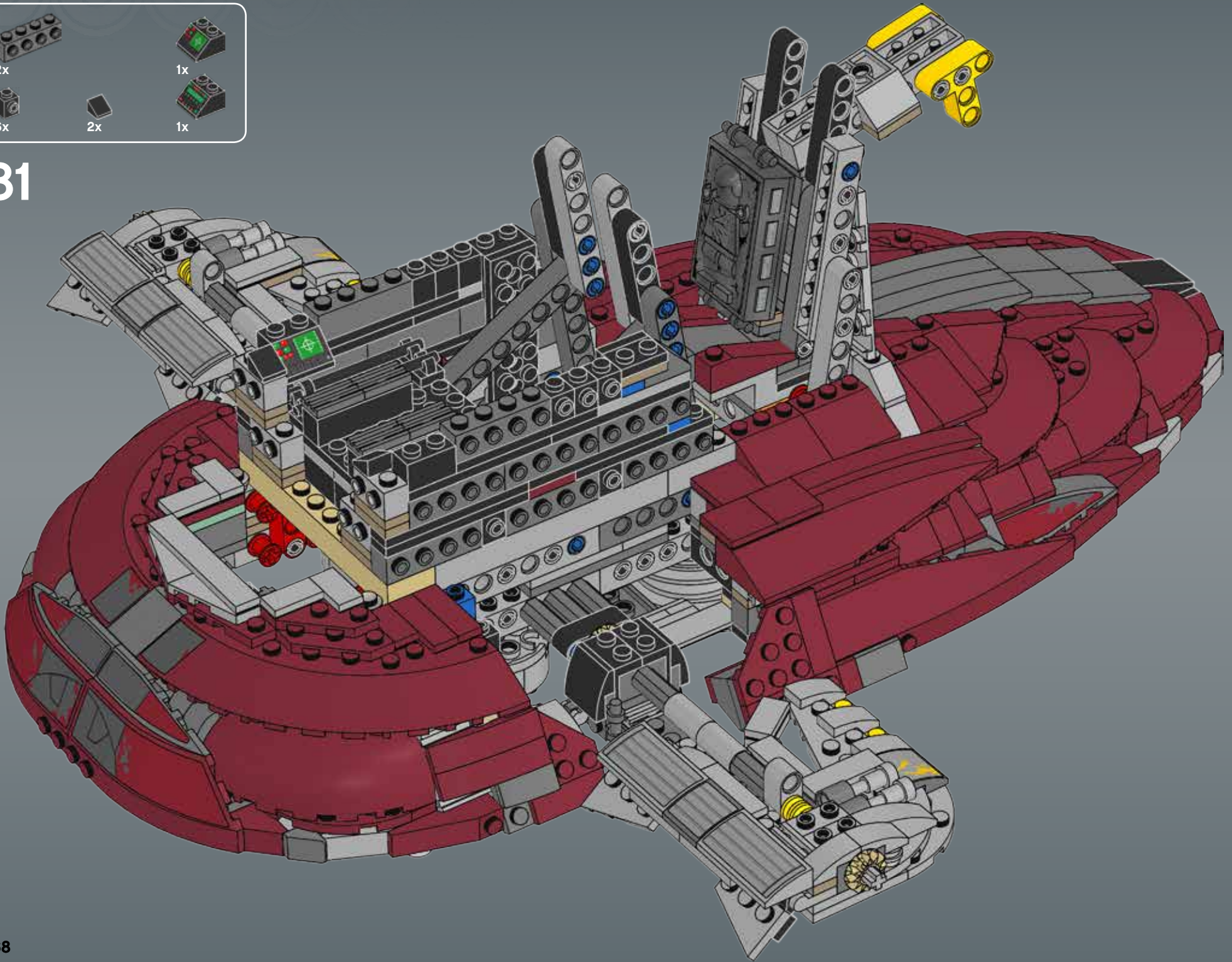


80



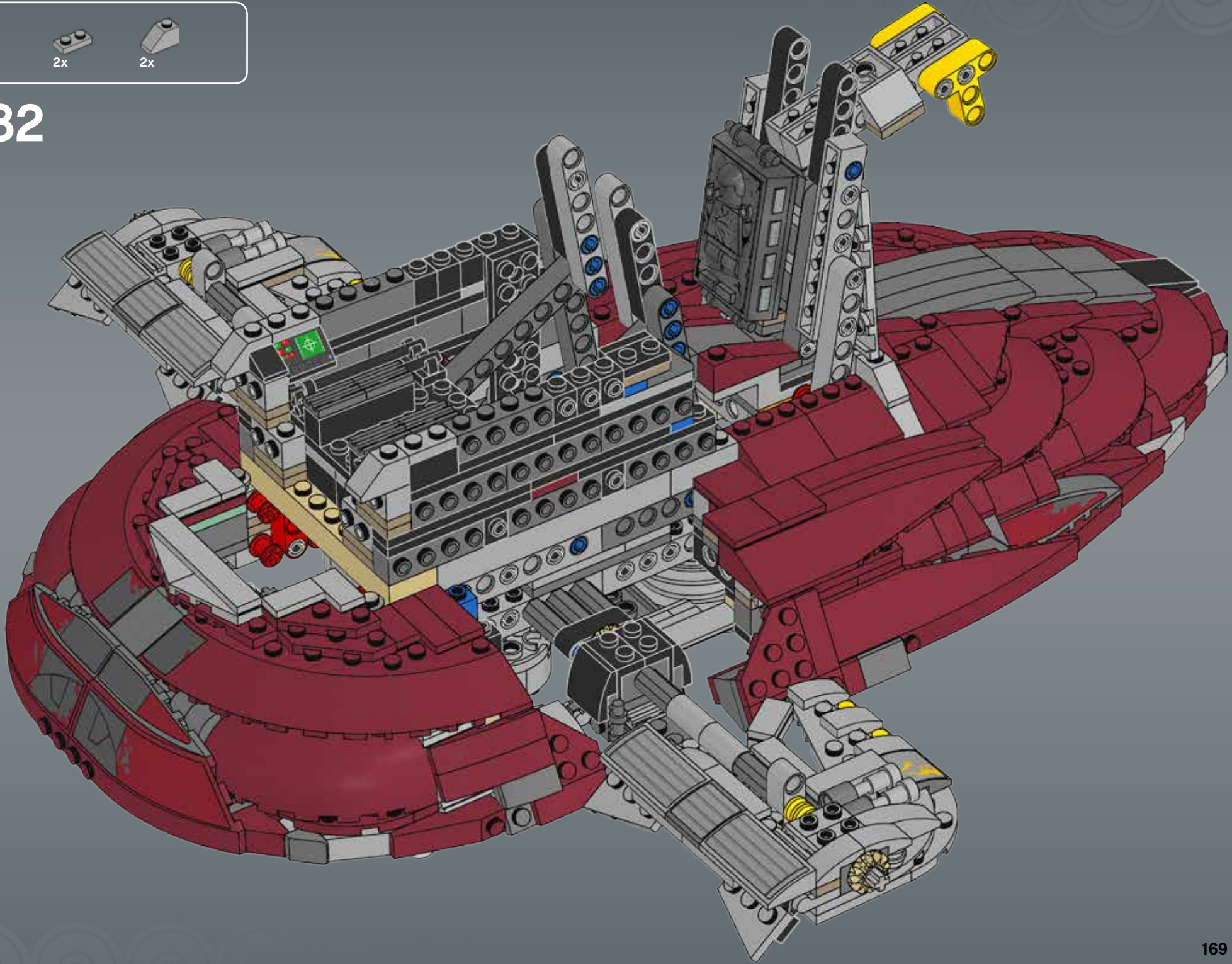


81



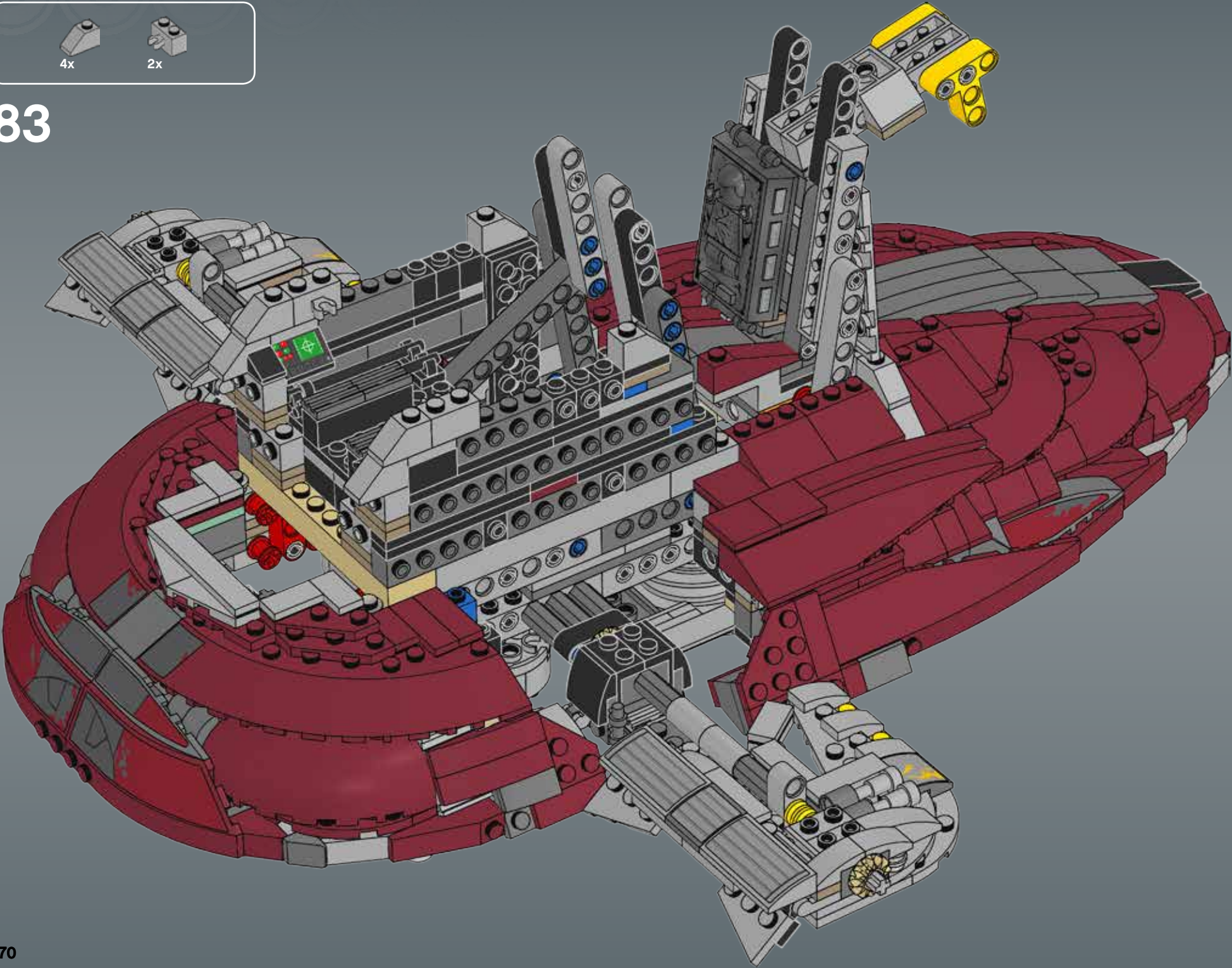


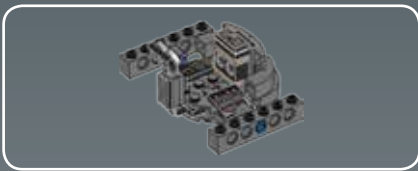
82



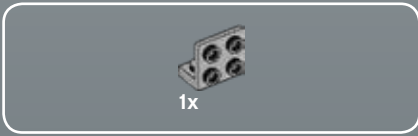
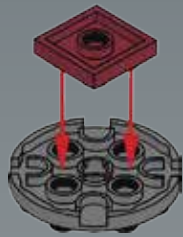
4x  2x 

83

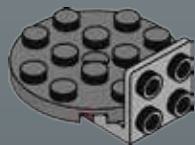




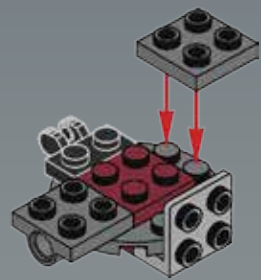
1



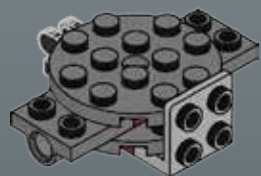
2



3



4

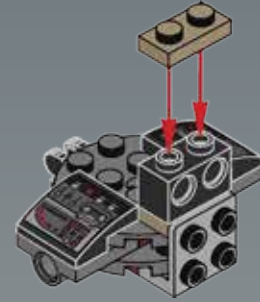




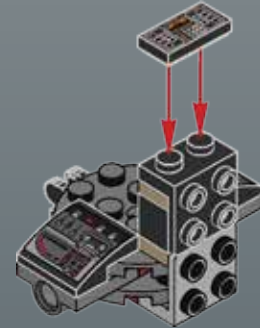
5



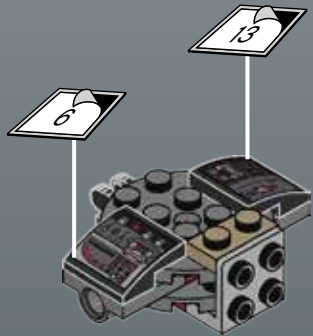
7



8

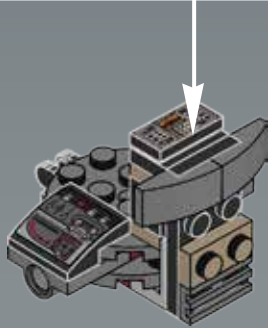
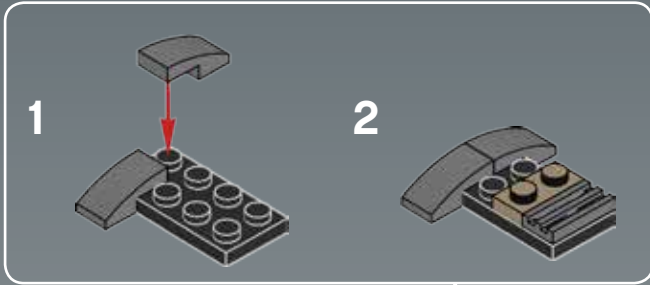


6

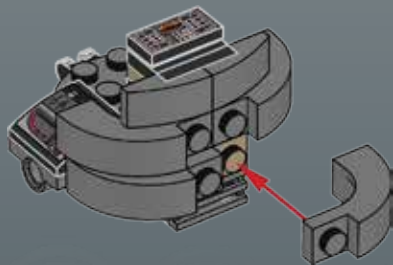




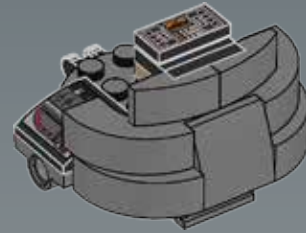
9



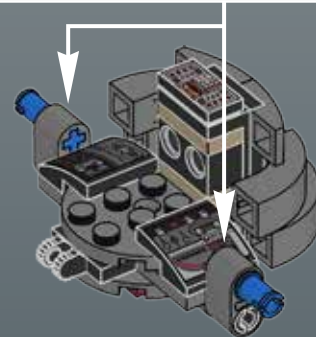
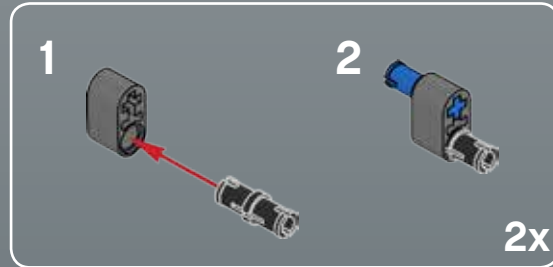
10



11

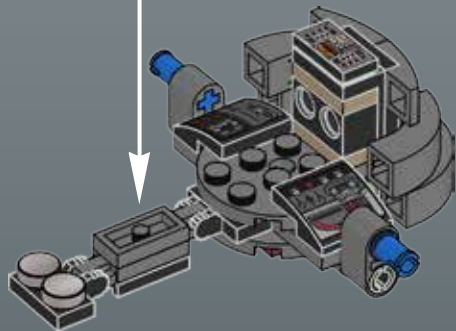
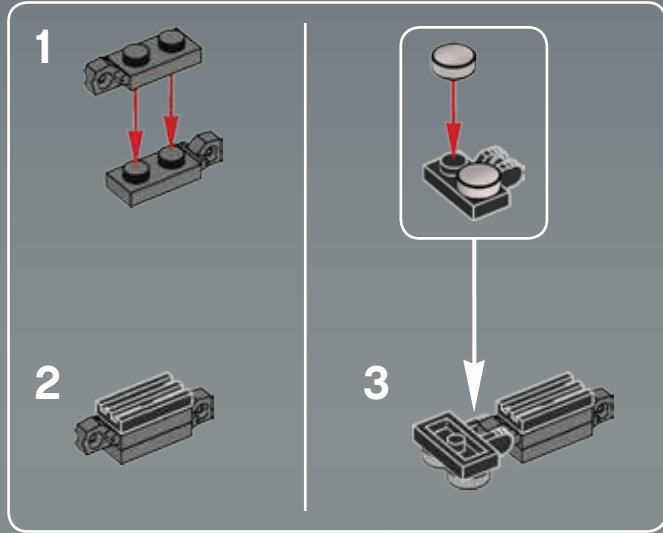


12

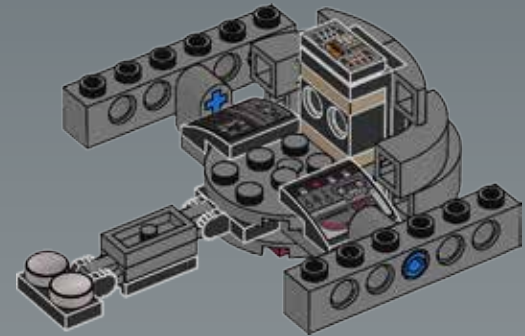




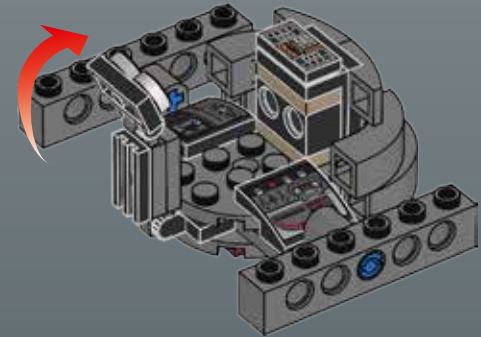
13



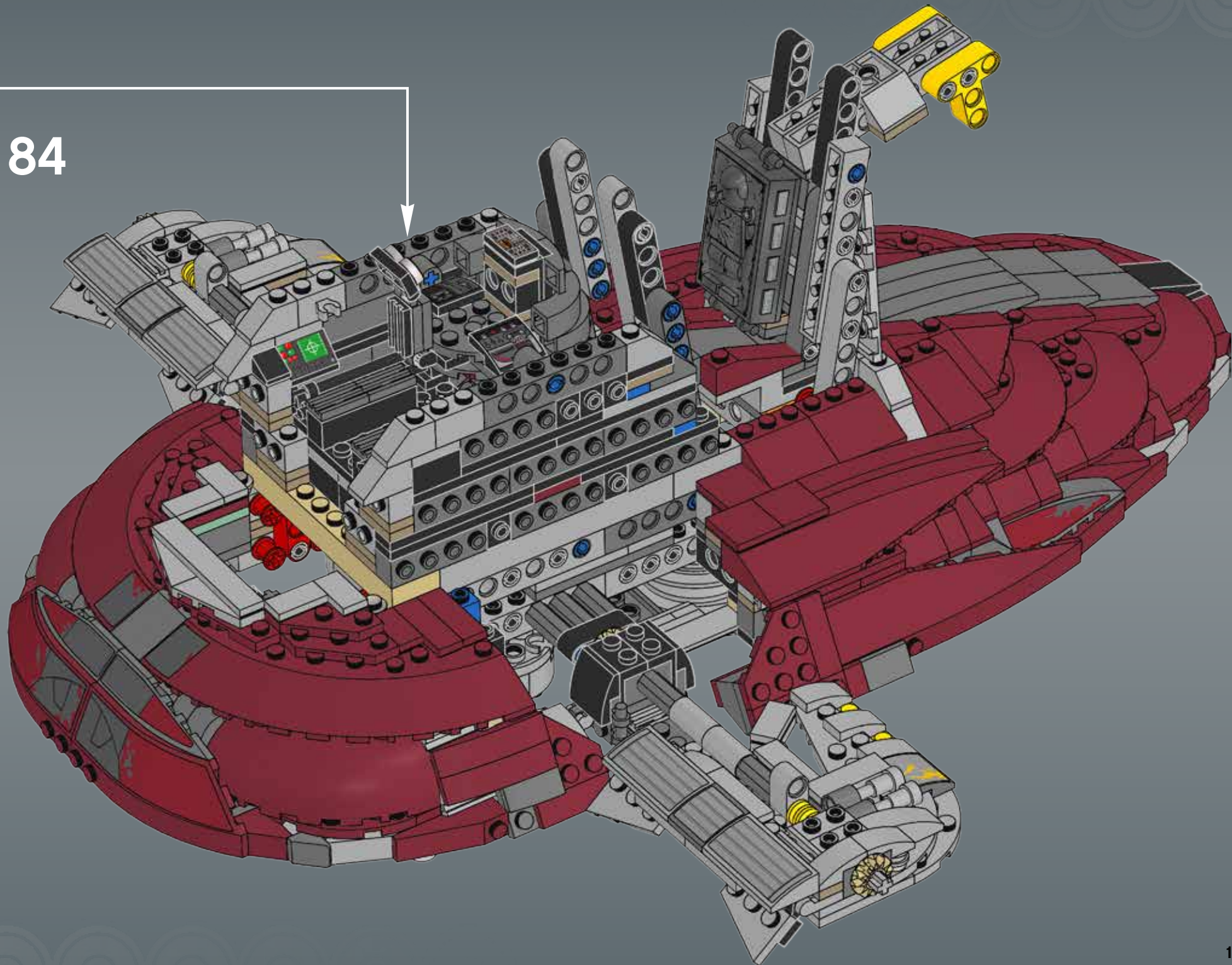
14



15

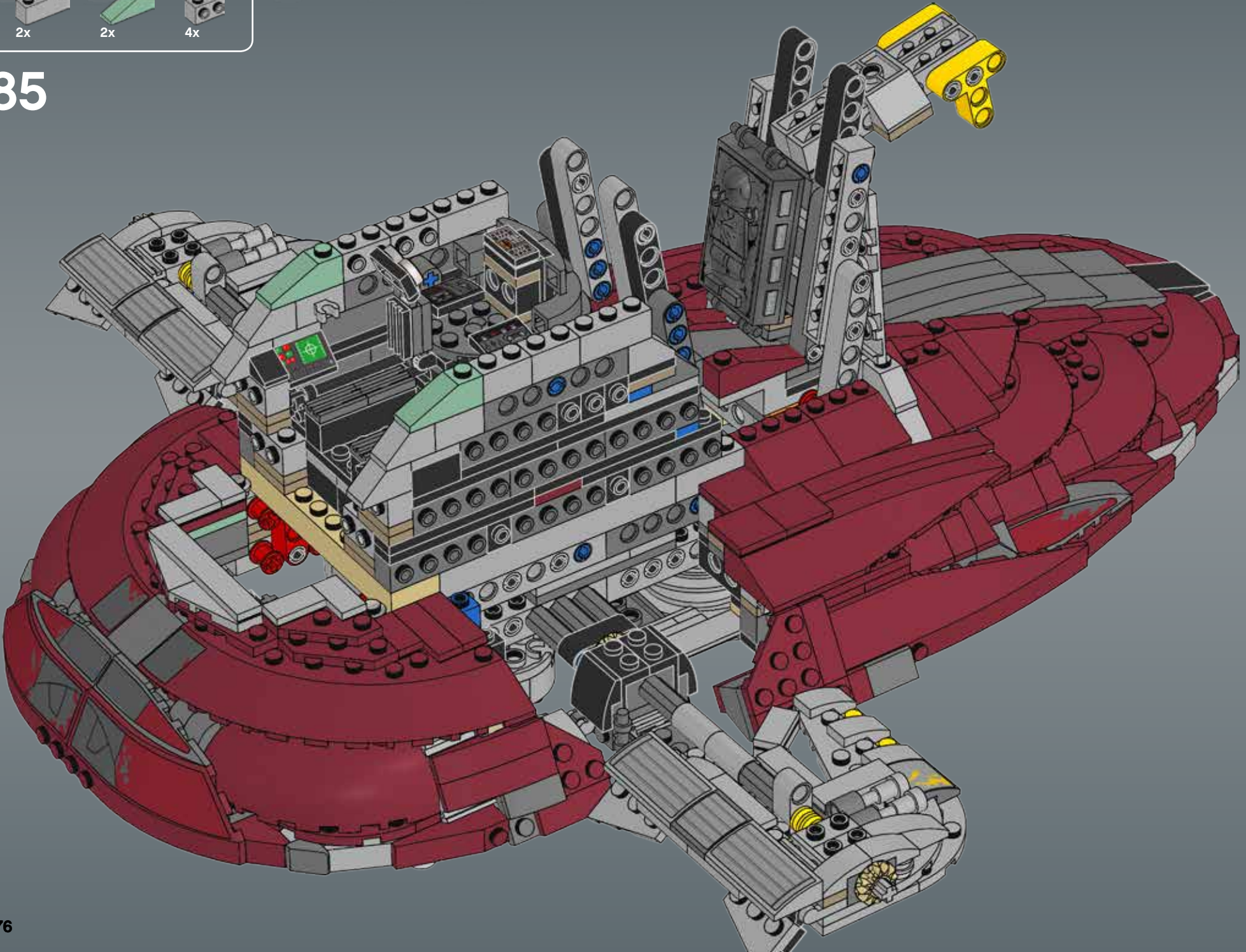


84

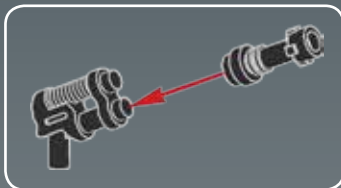




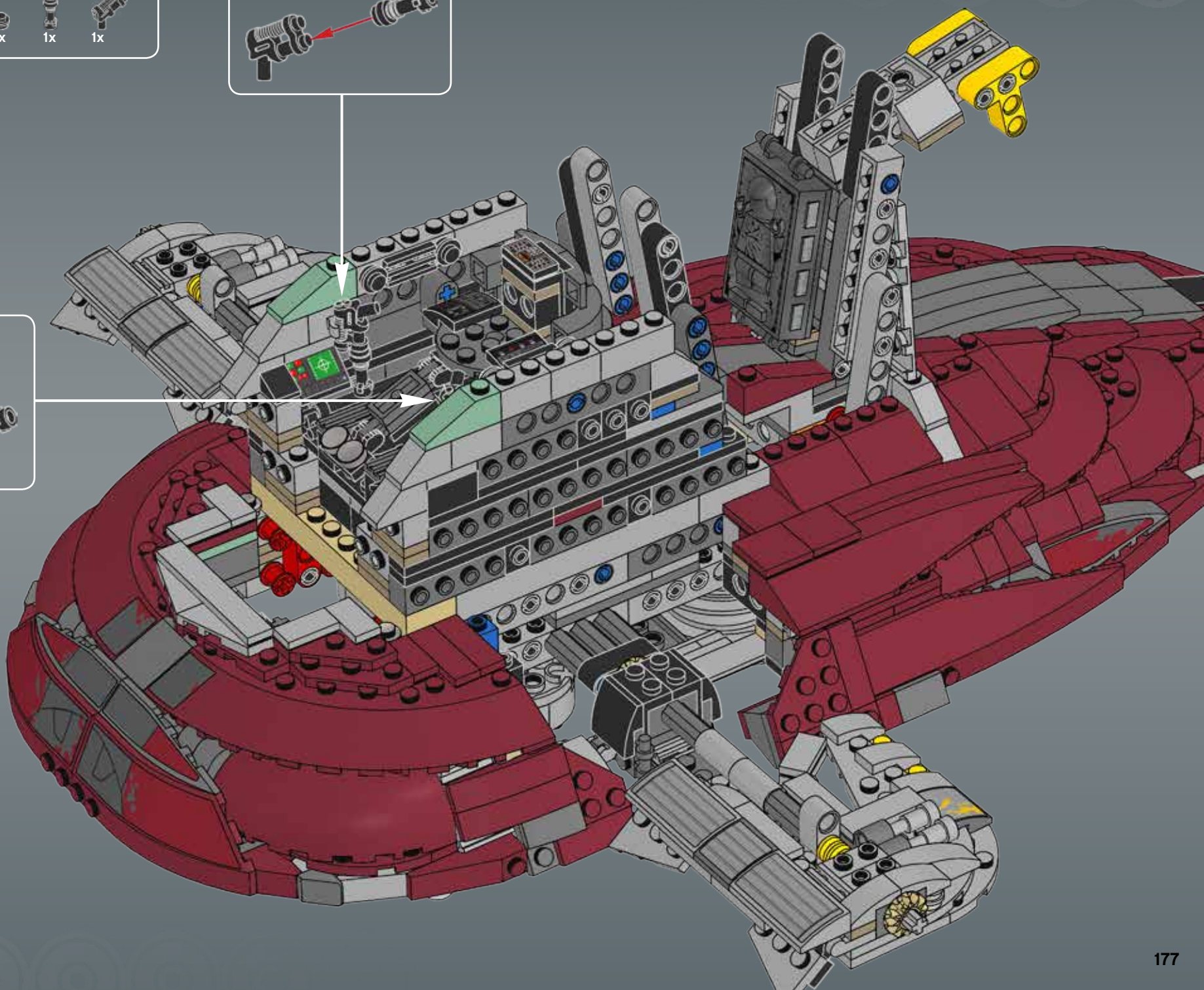
85

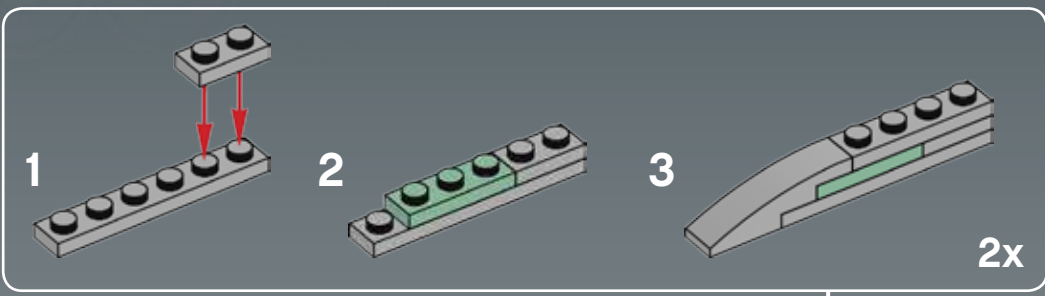
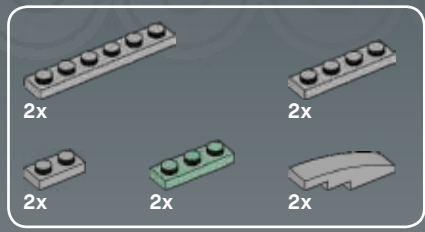


- 2x
- 4x
- 1x
- 1x

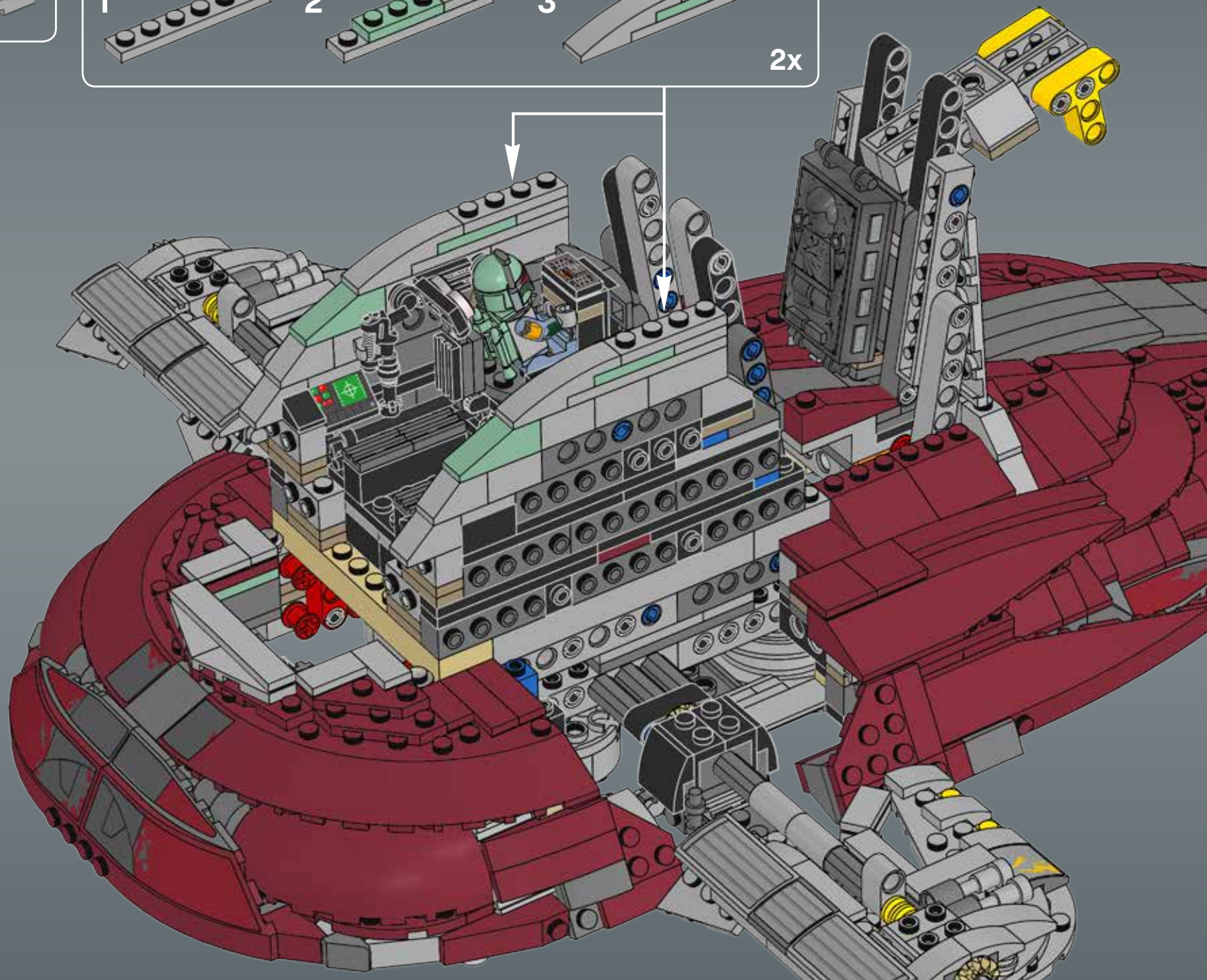


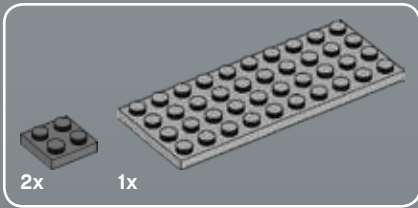
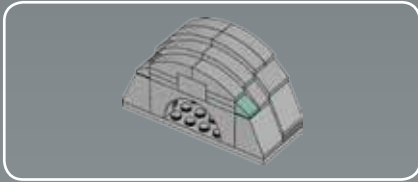
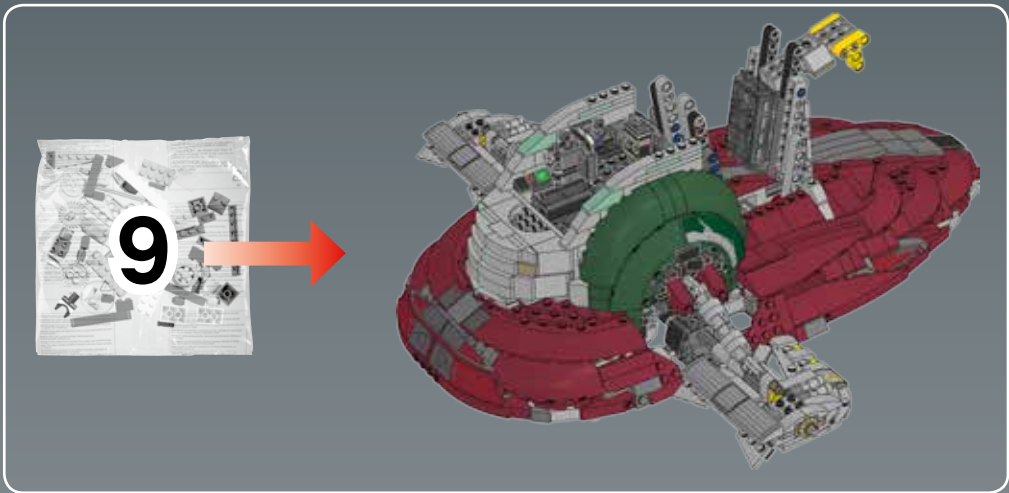
86



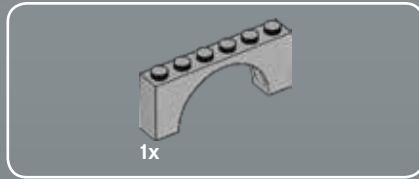
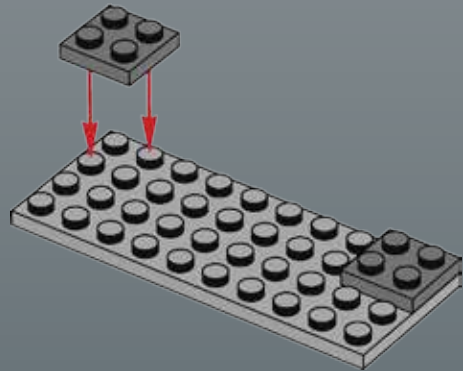


87

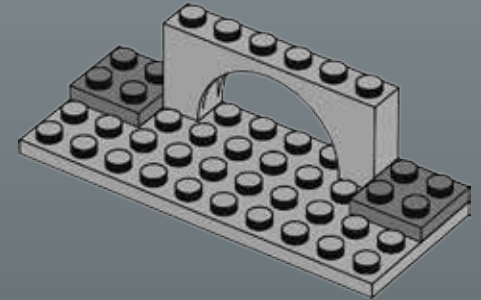




1

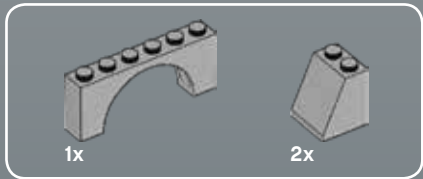
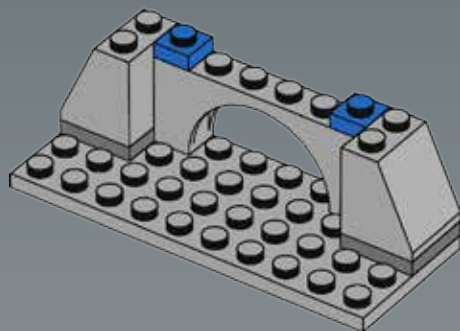


2

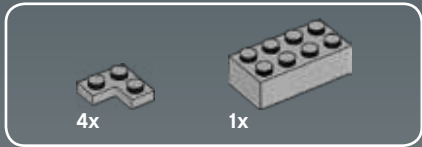
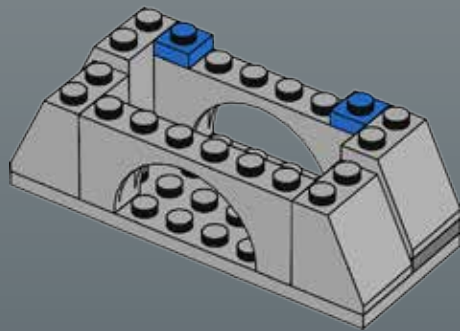




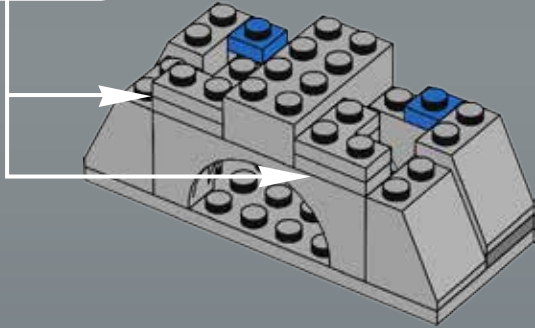
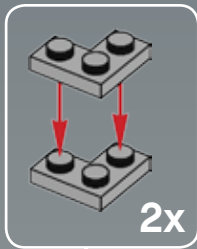
3



4

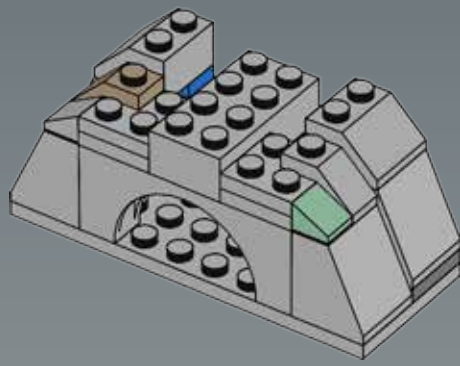


5

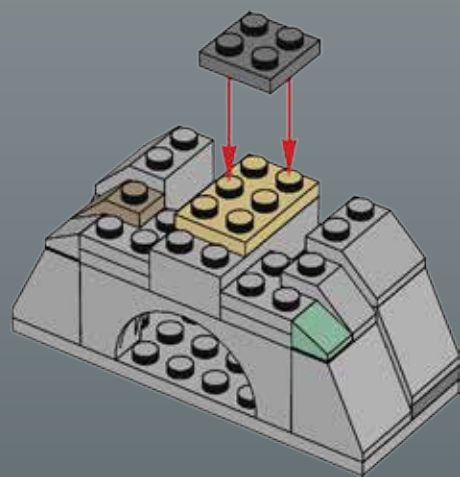




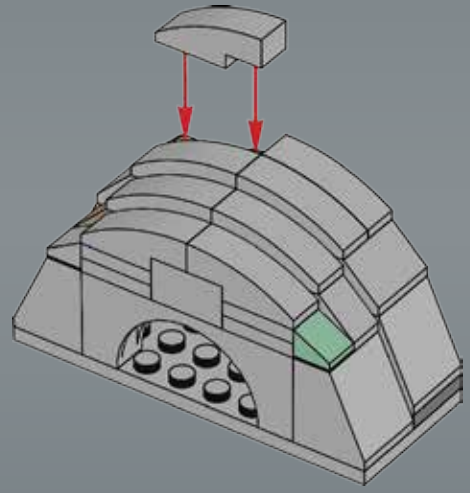
6

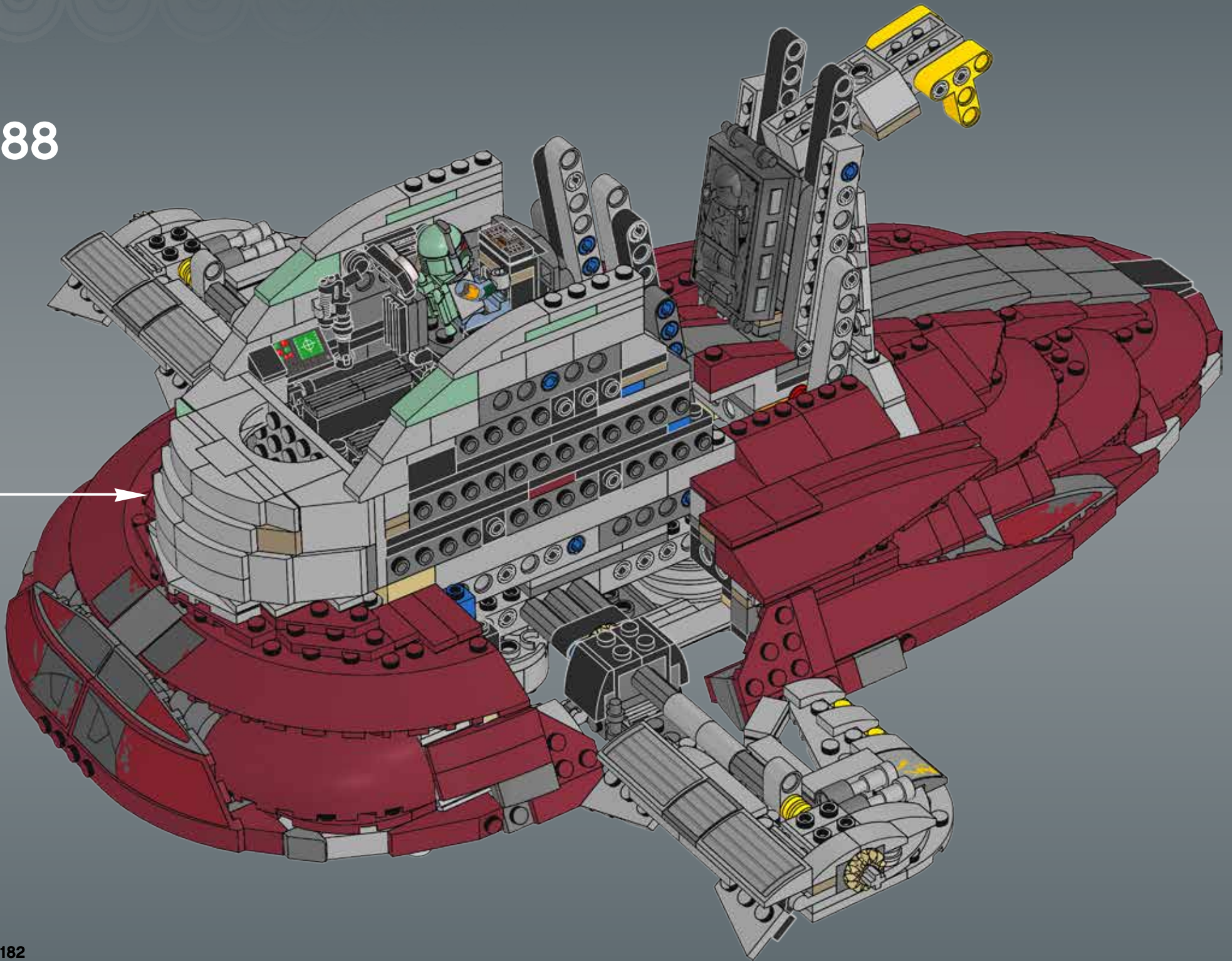


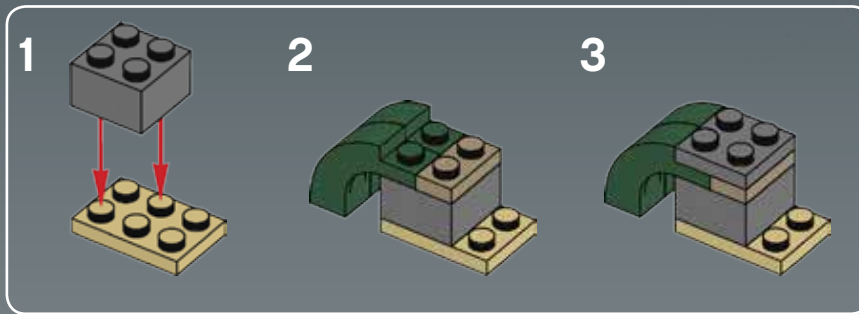
7



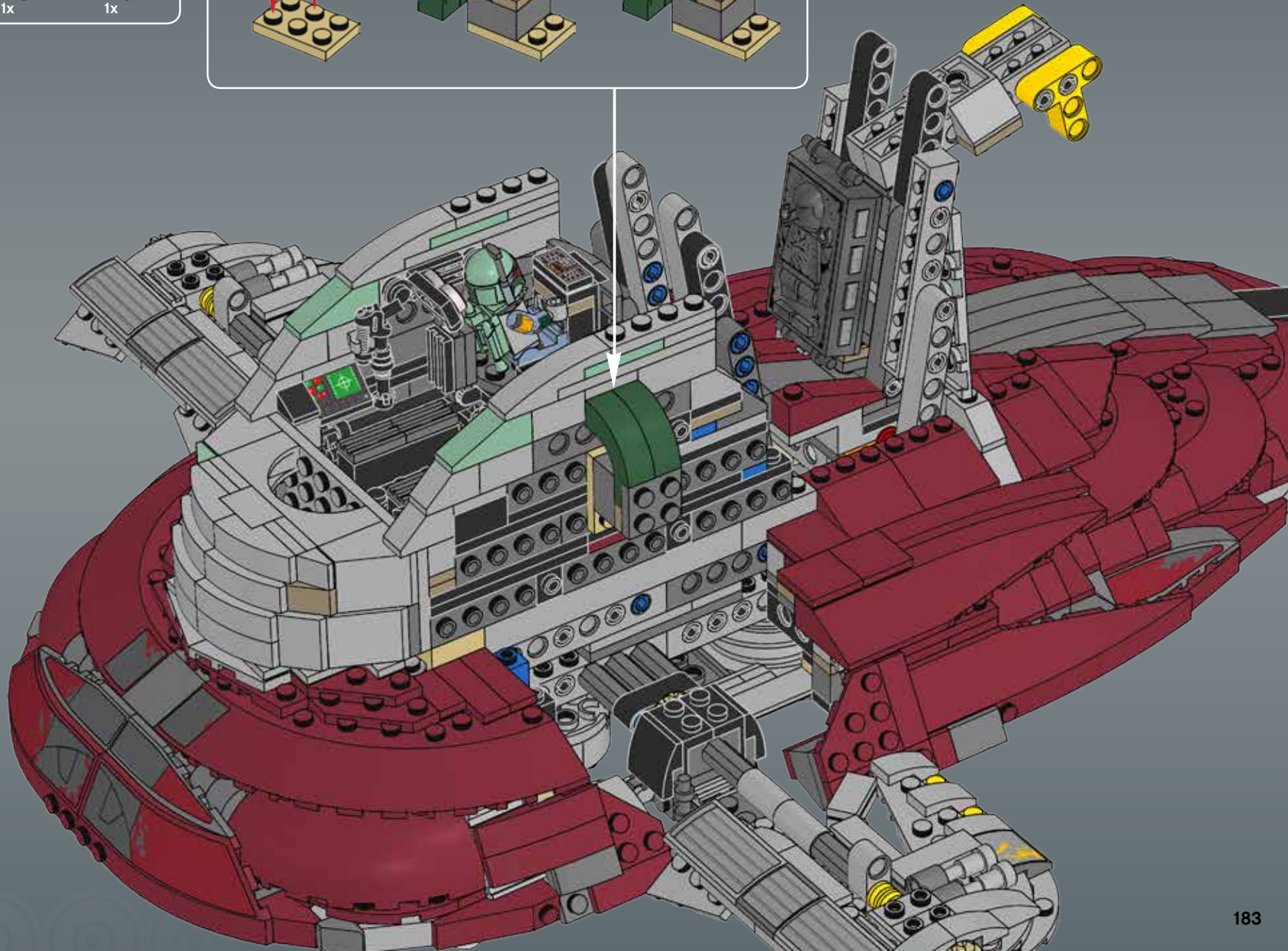
8

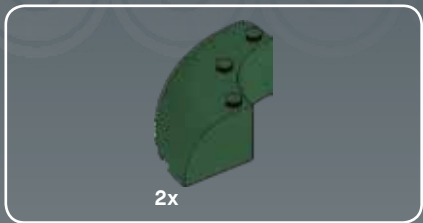




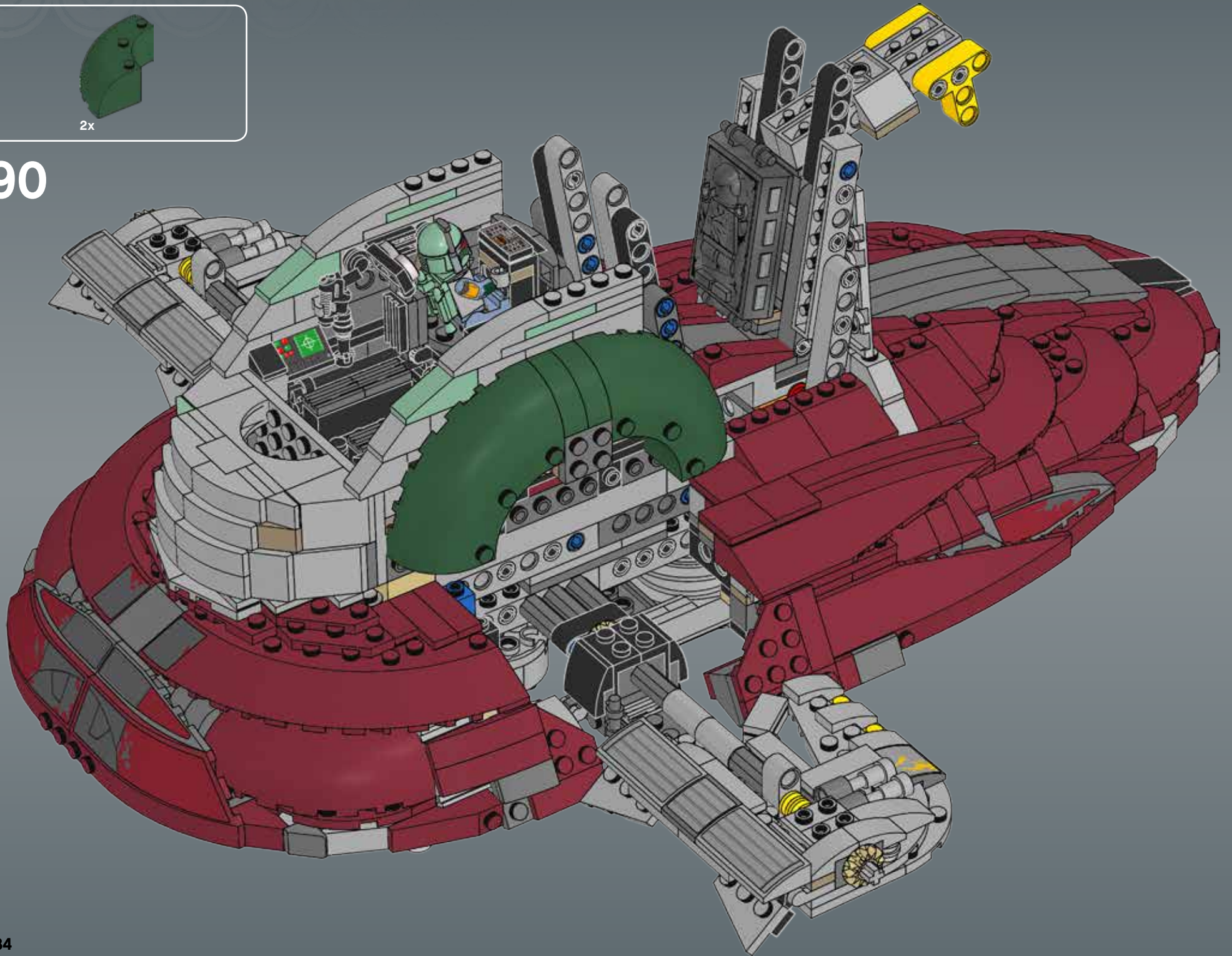


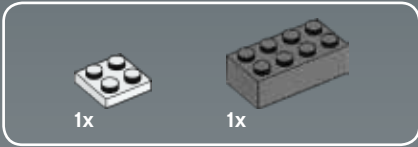
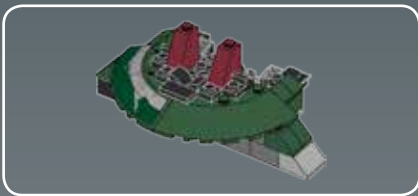
89



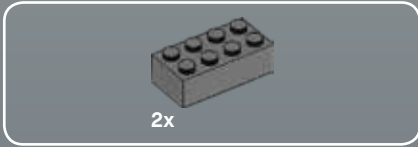
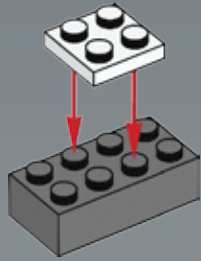


90

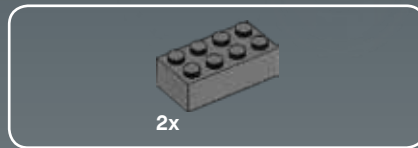
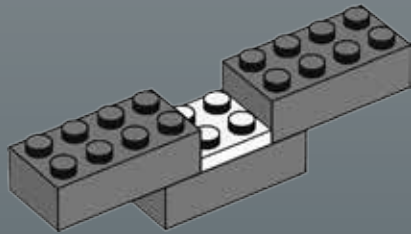




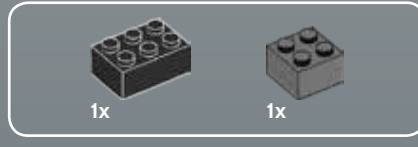
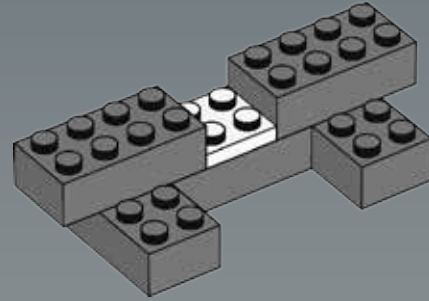
1



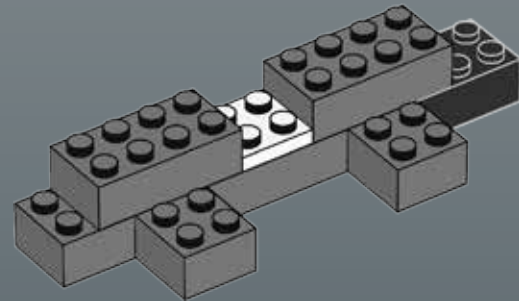
2



3

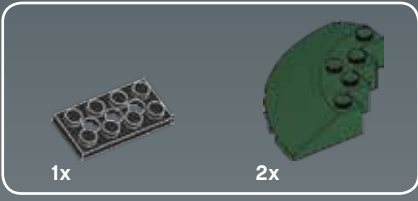
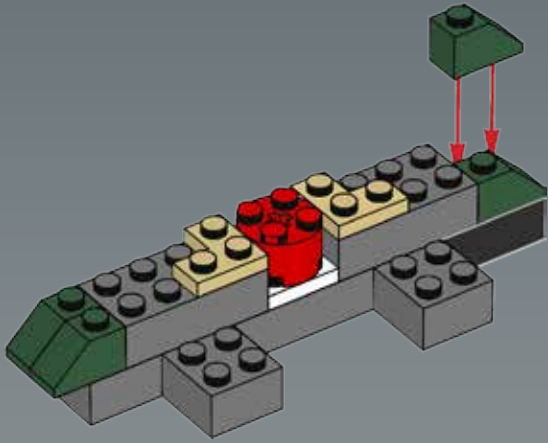


4

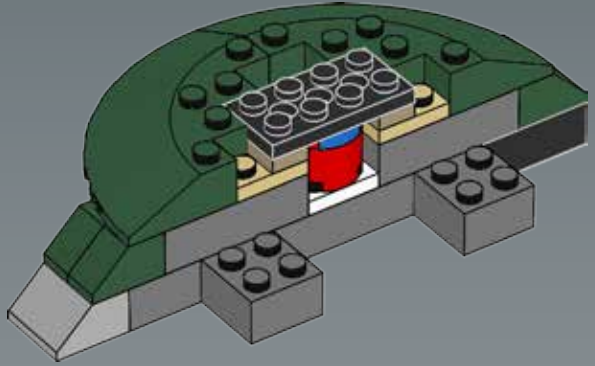




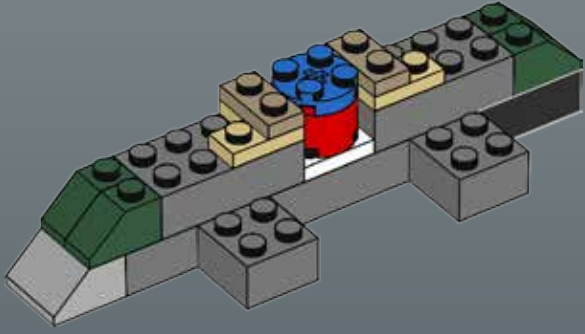
5



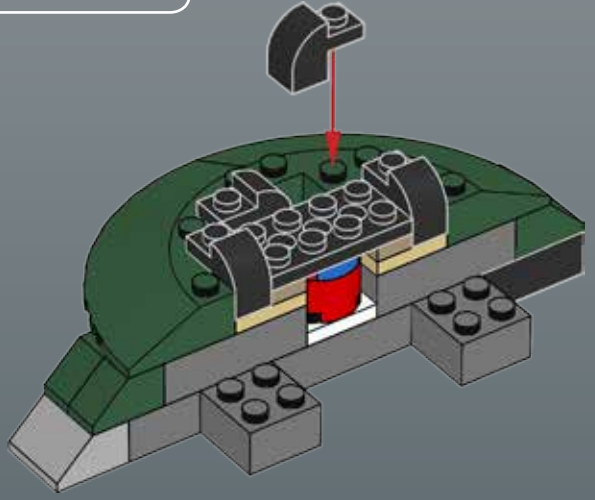
7

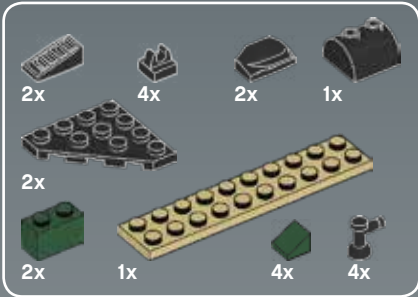


6



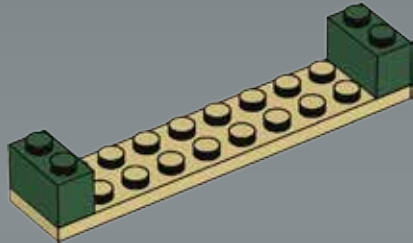
8



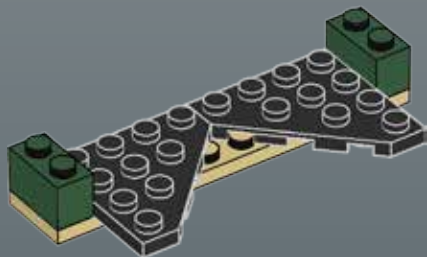


9

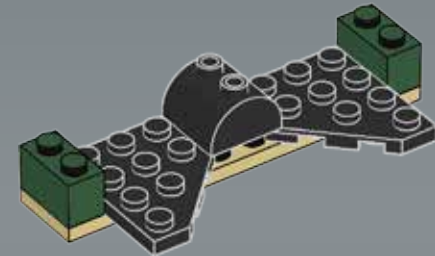
1



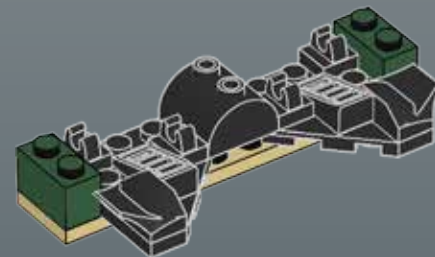
2



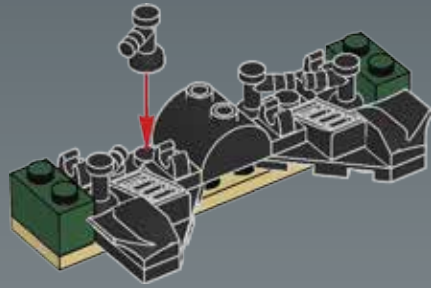
3



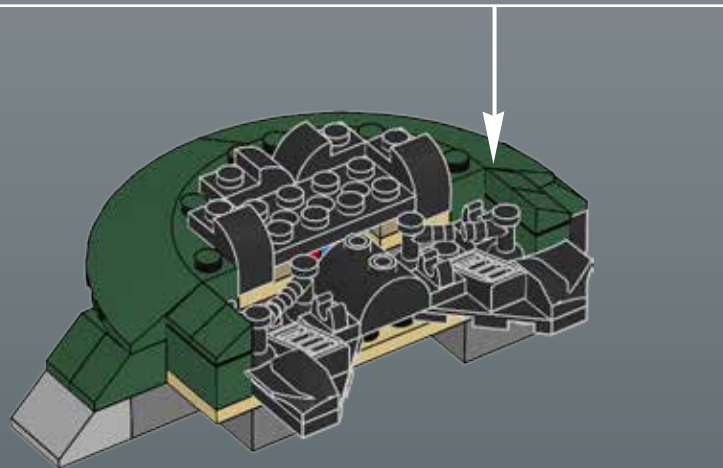
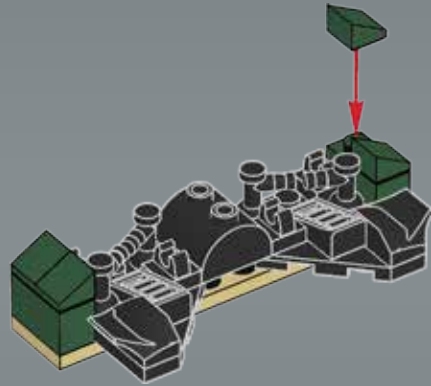
4



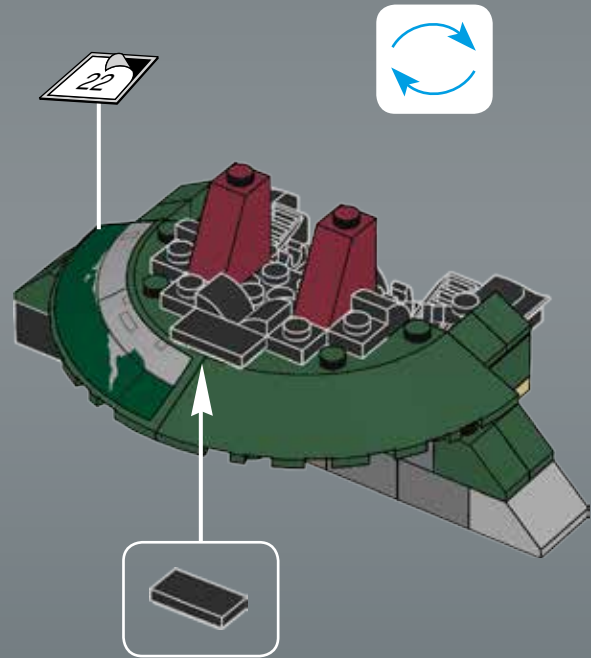
5



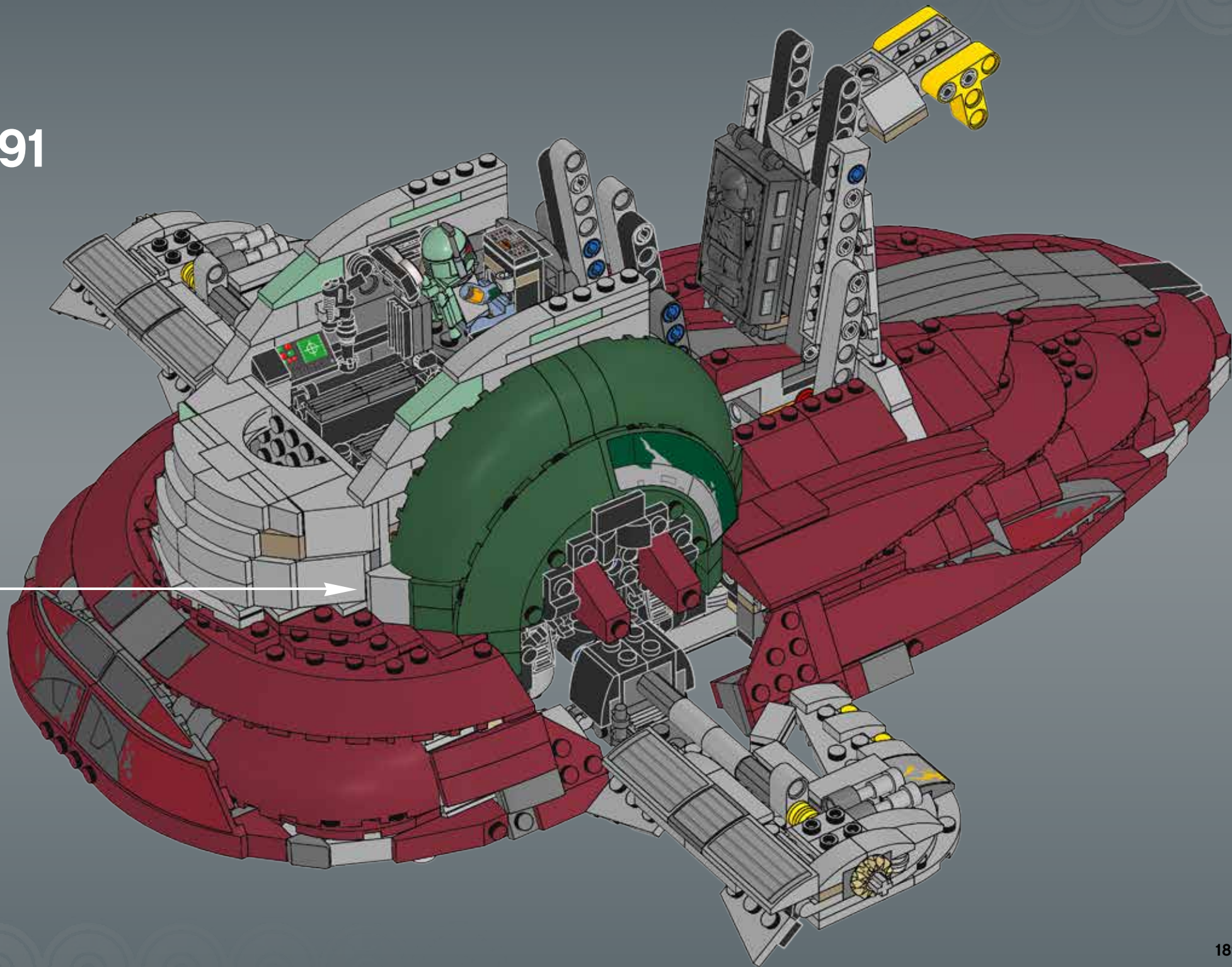
6



10

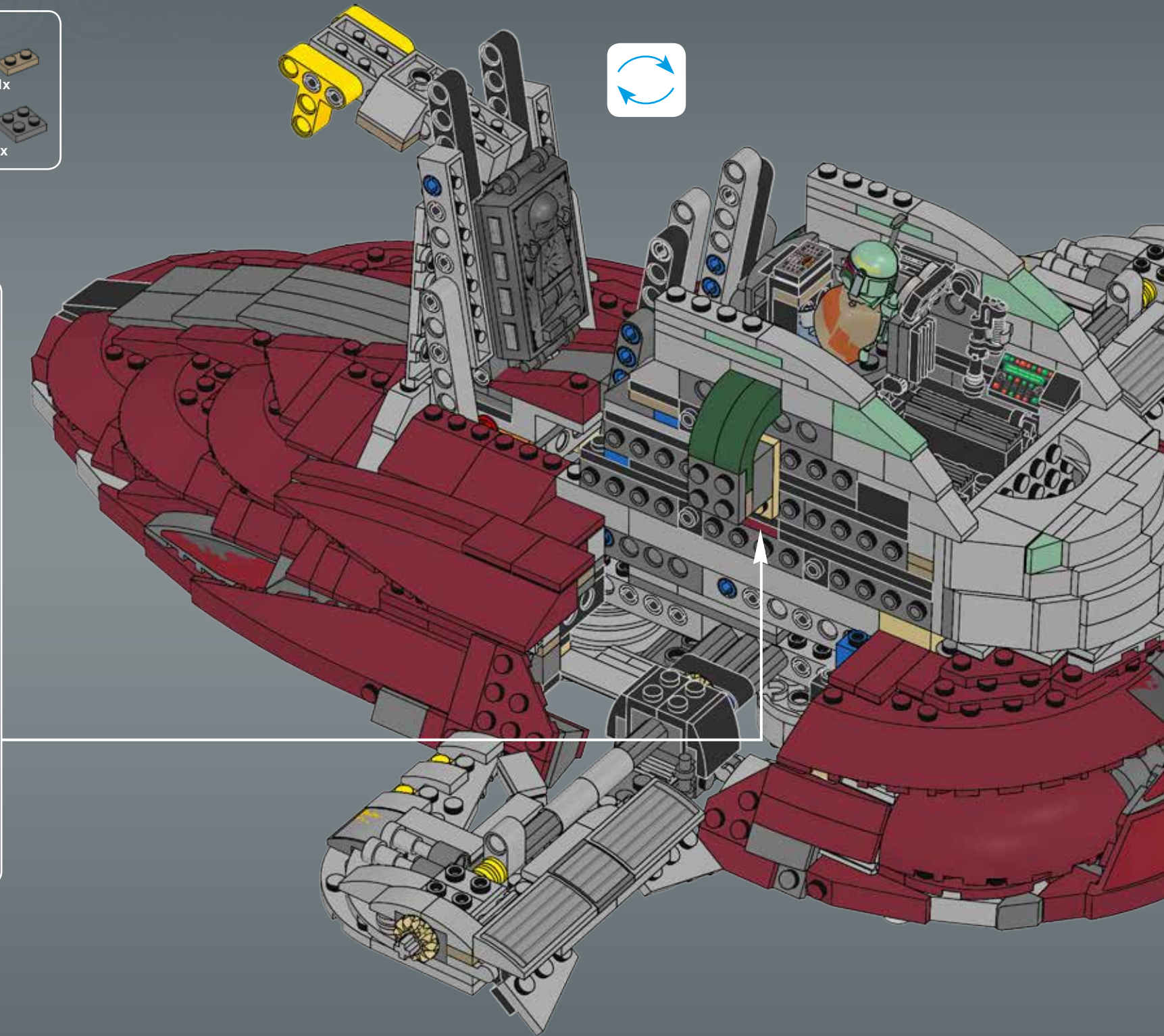
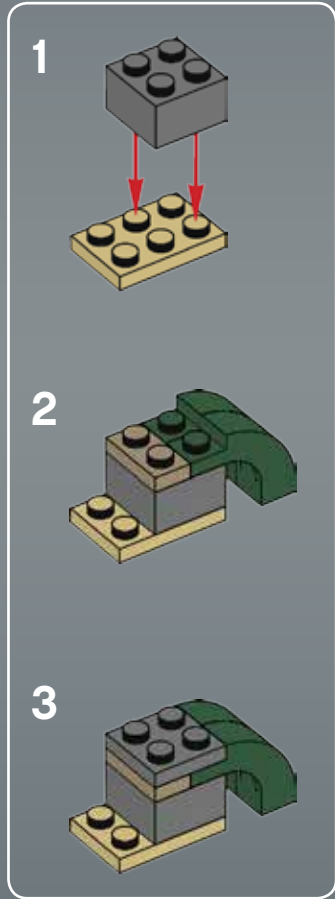


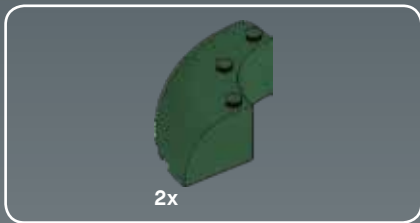
91



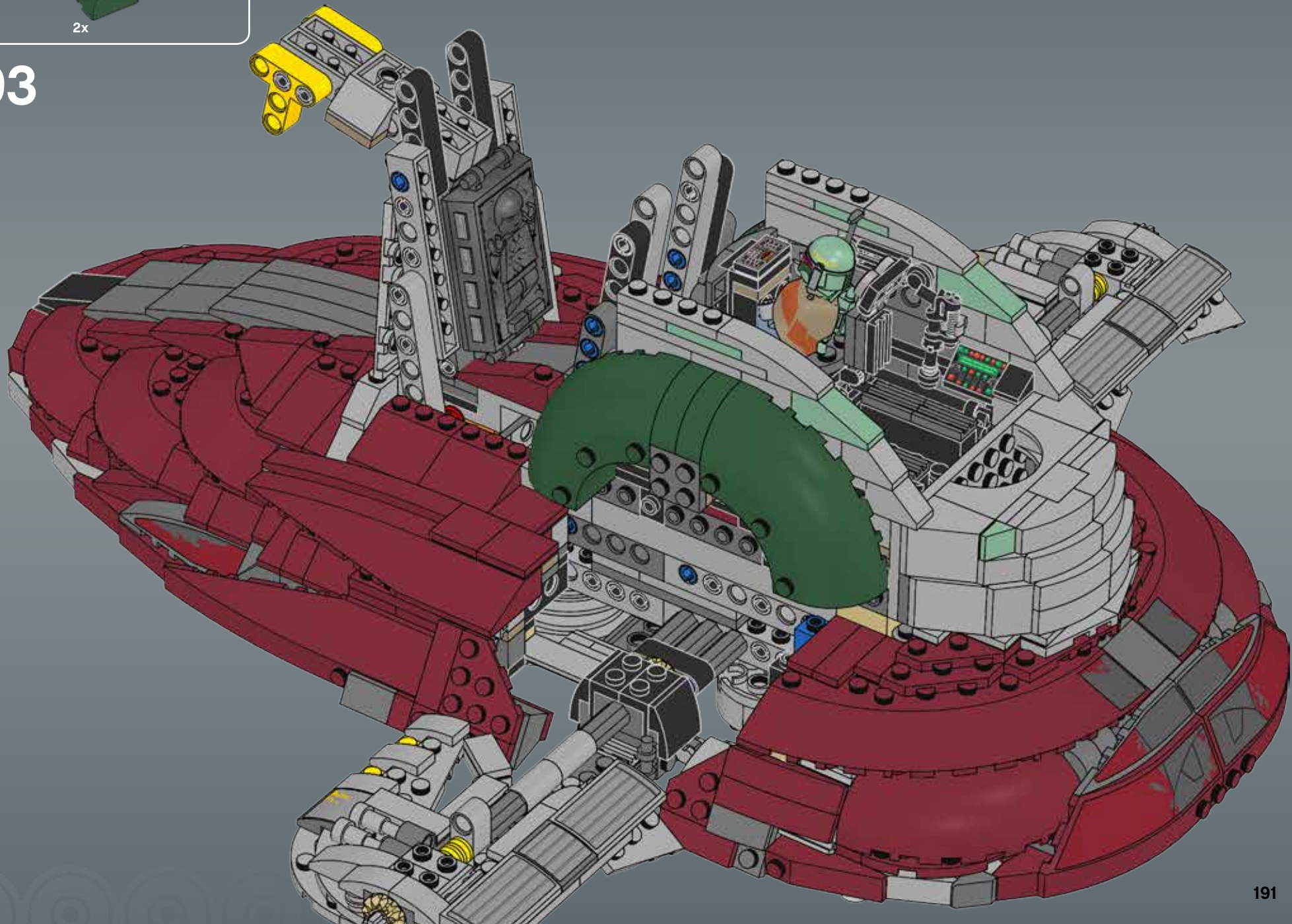


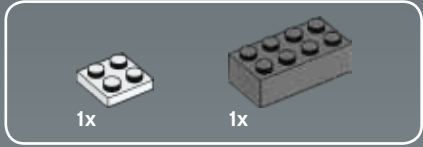
92



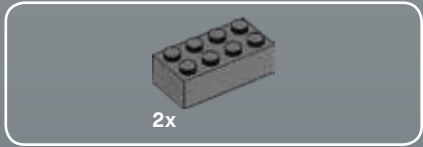
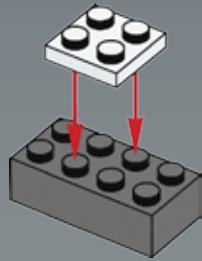


93

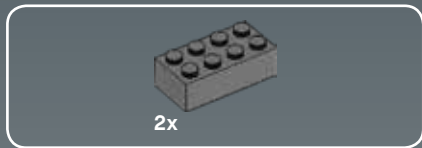
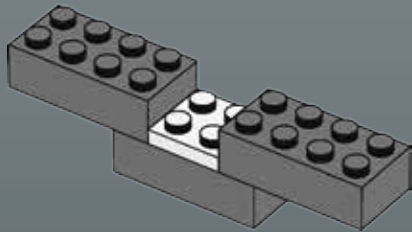




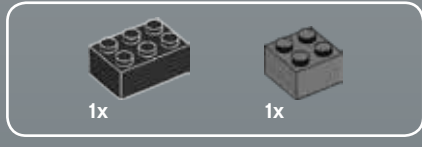
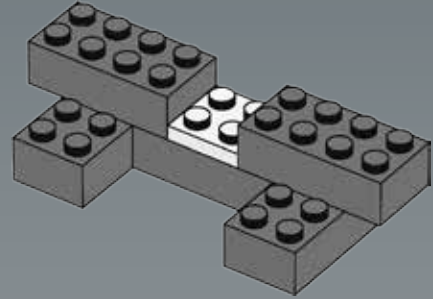
1



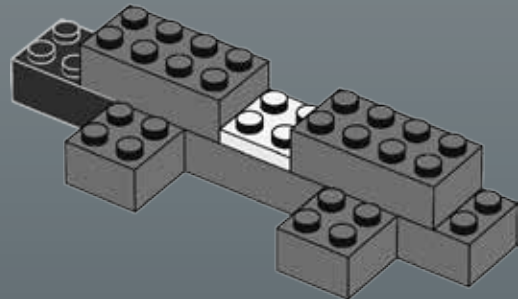
2



3

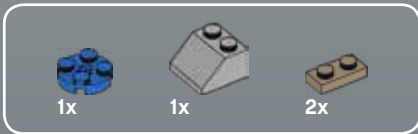
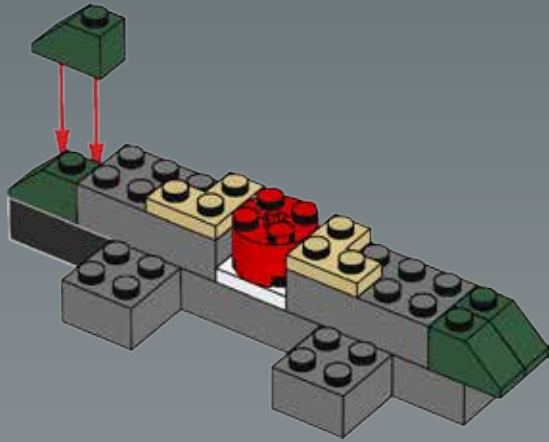


4

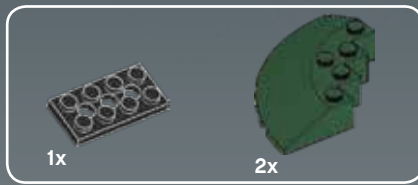
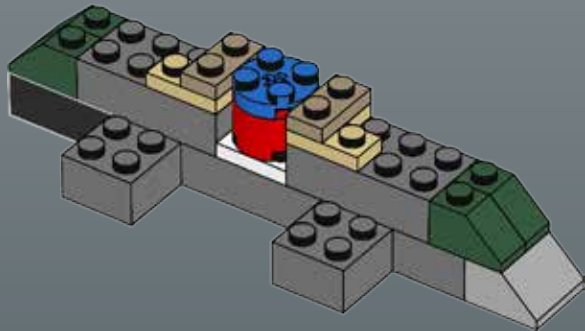




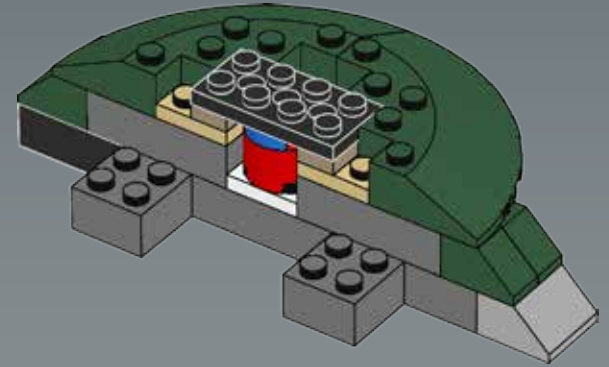
5



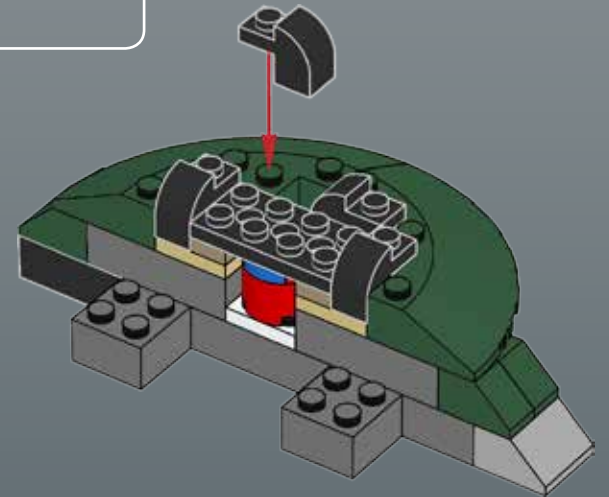
6

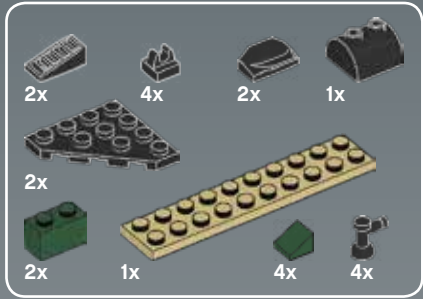


7



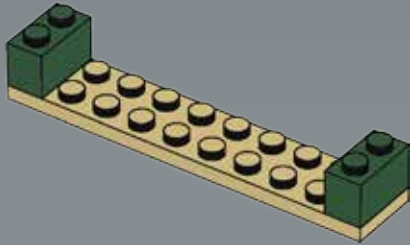
8



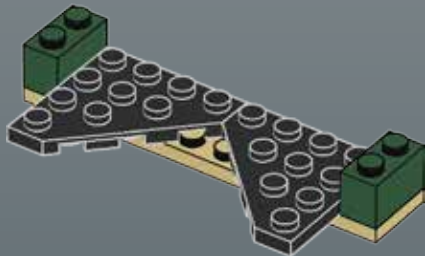


9

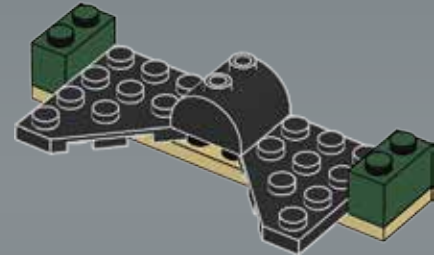
1



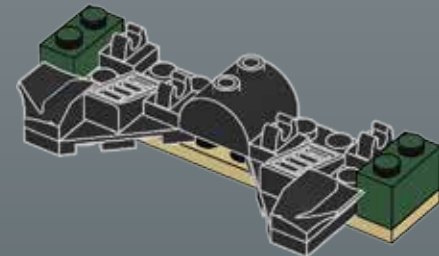
2



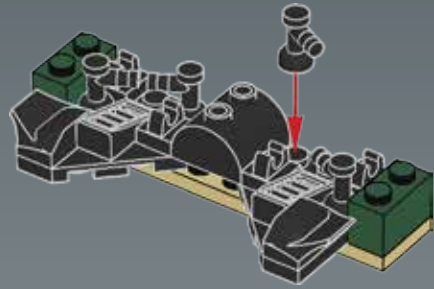
3



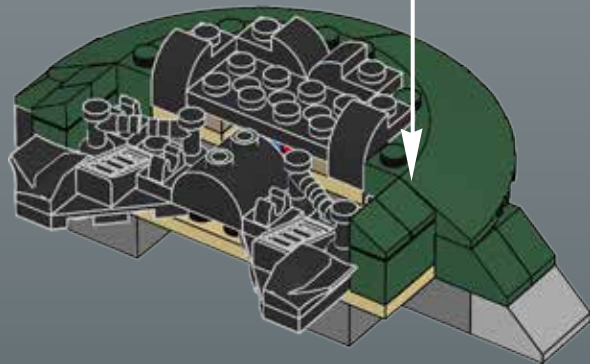
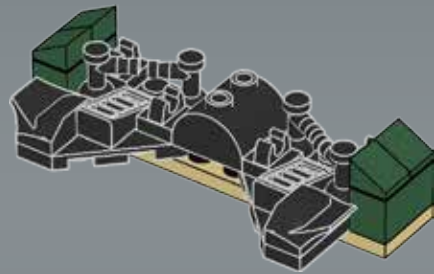
4



5



6

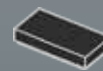
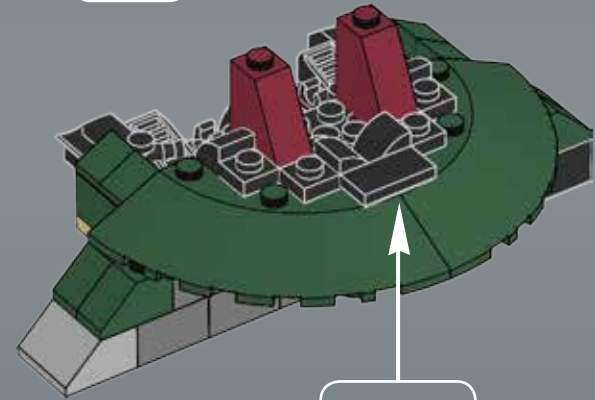


1x

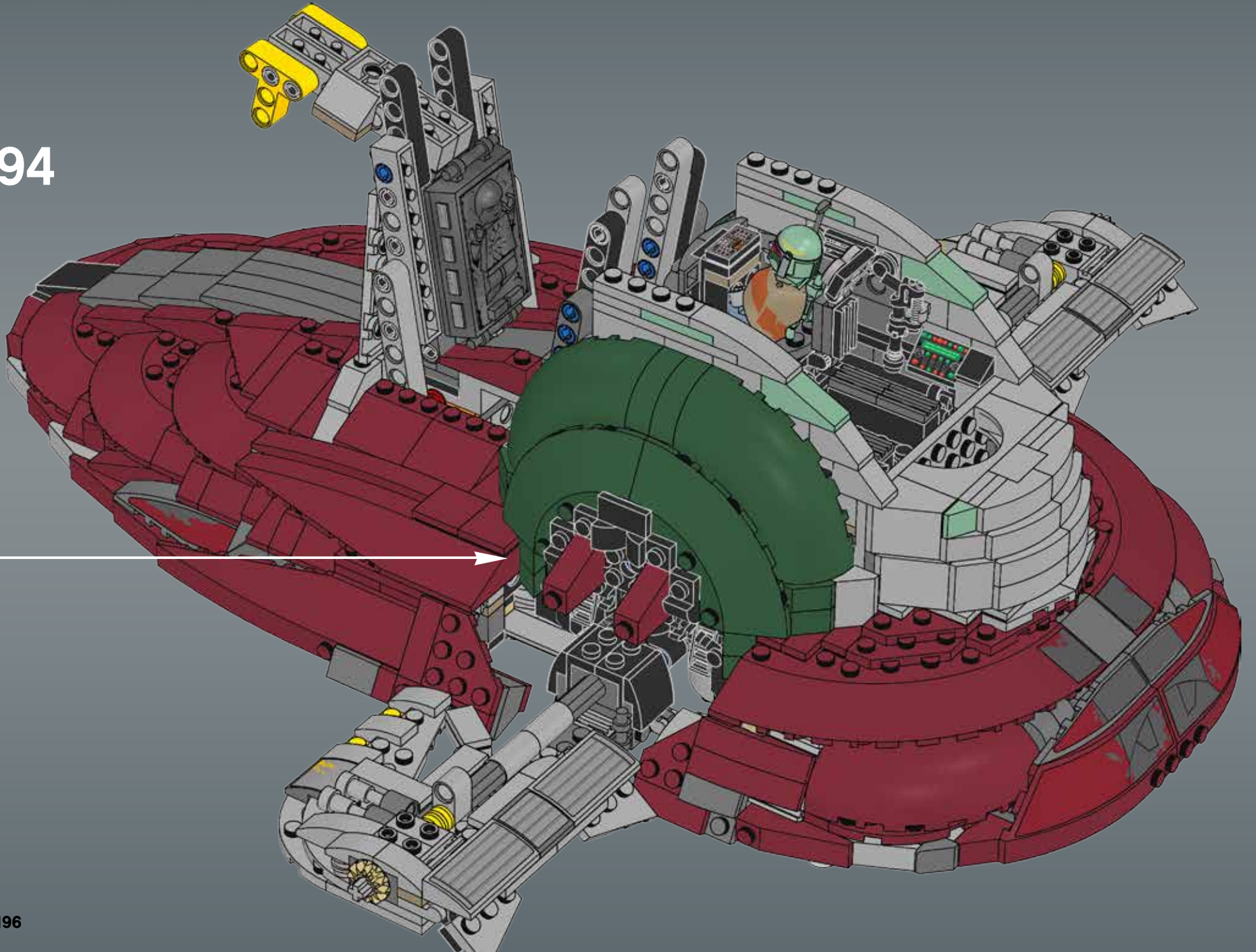


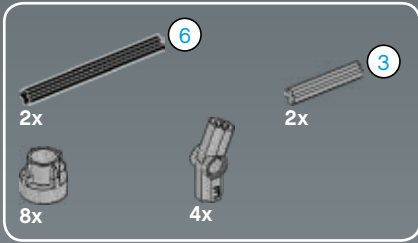
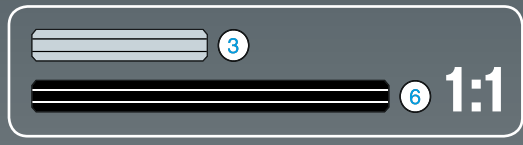
2x

10

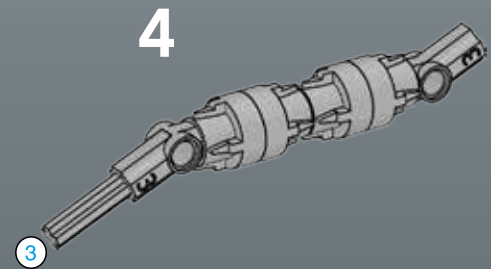
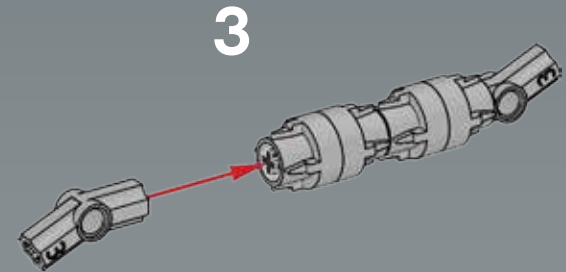
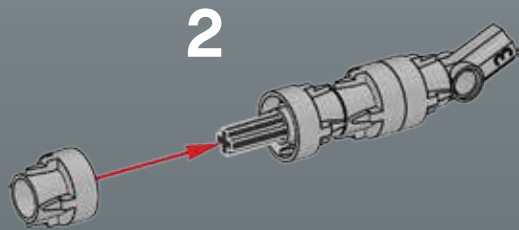
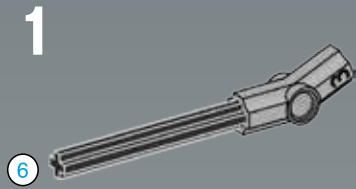


94

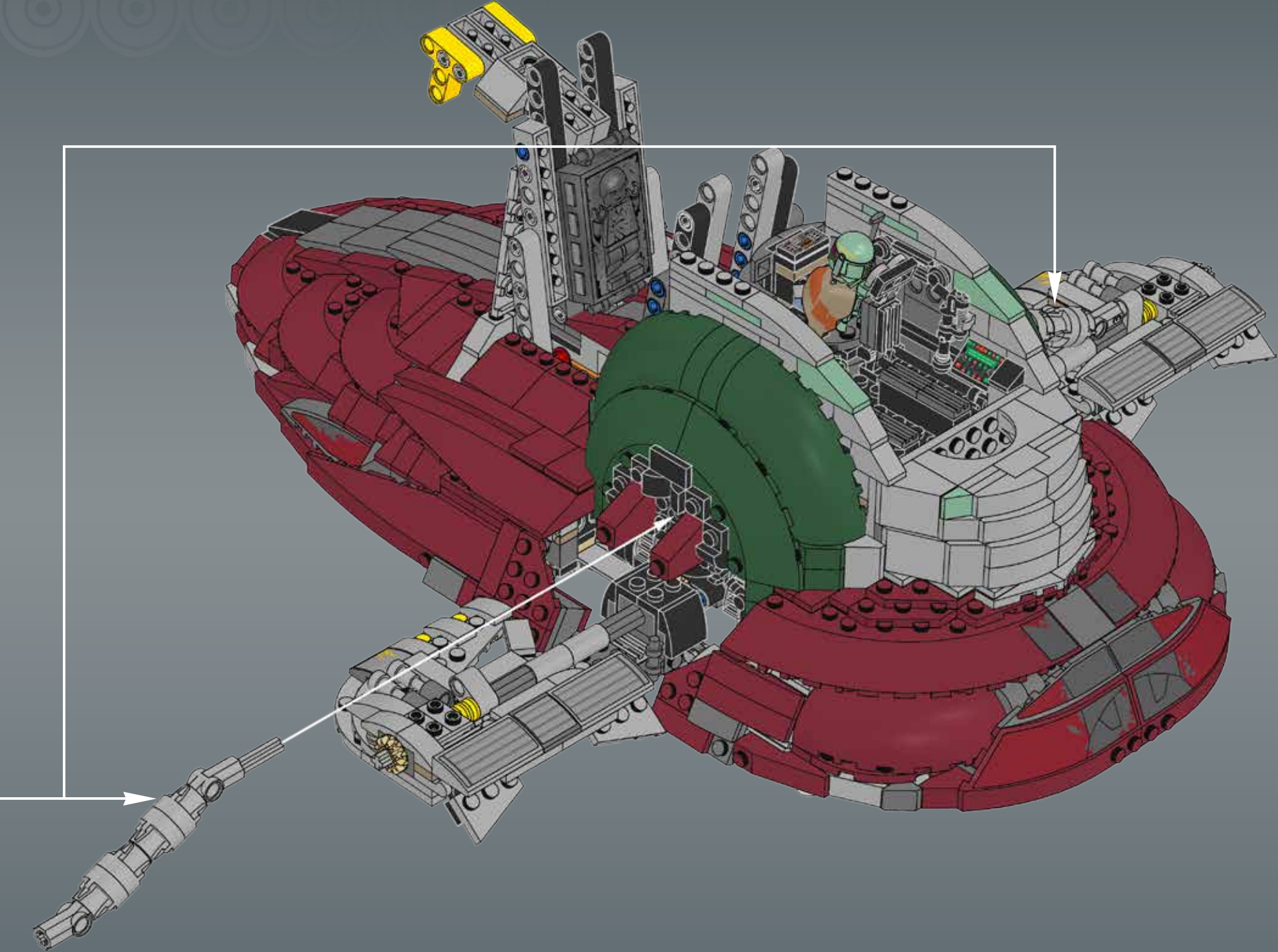




95

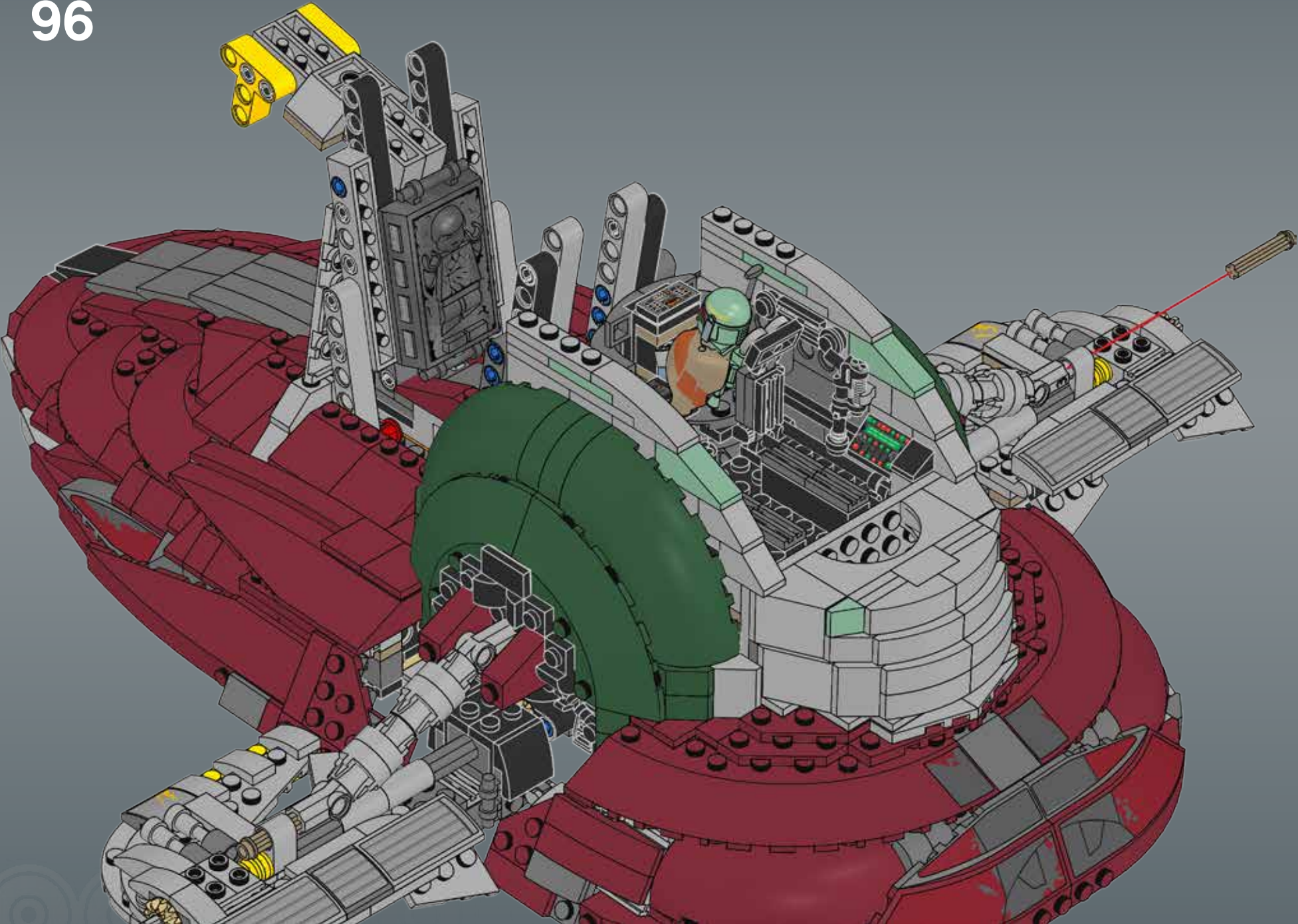


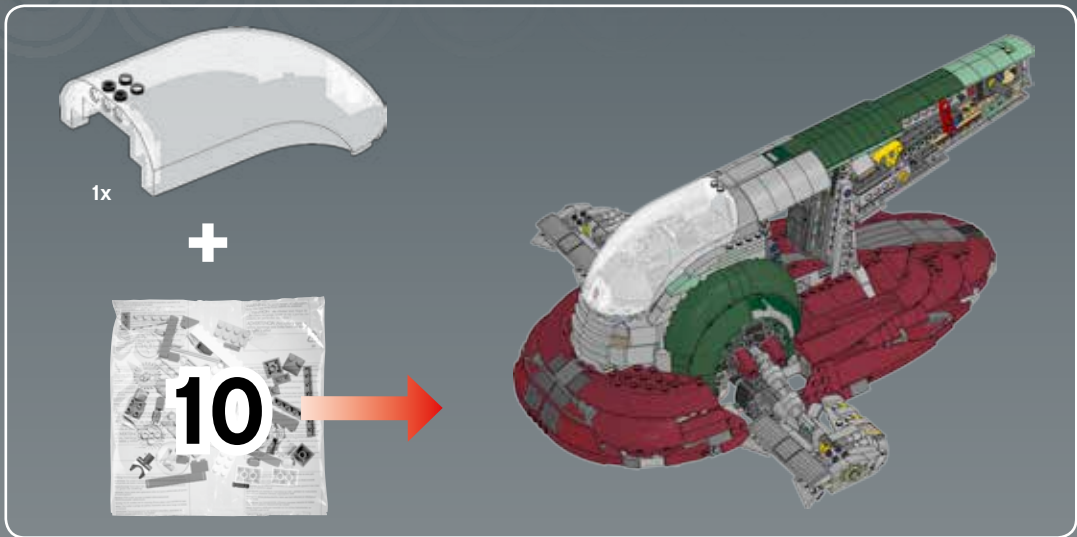
2x



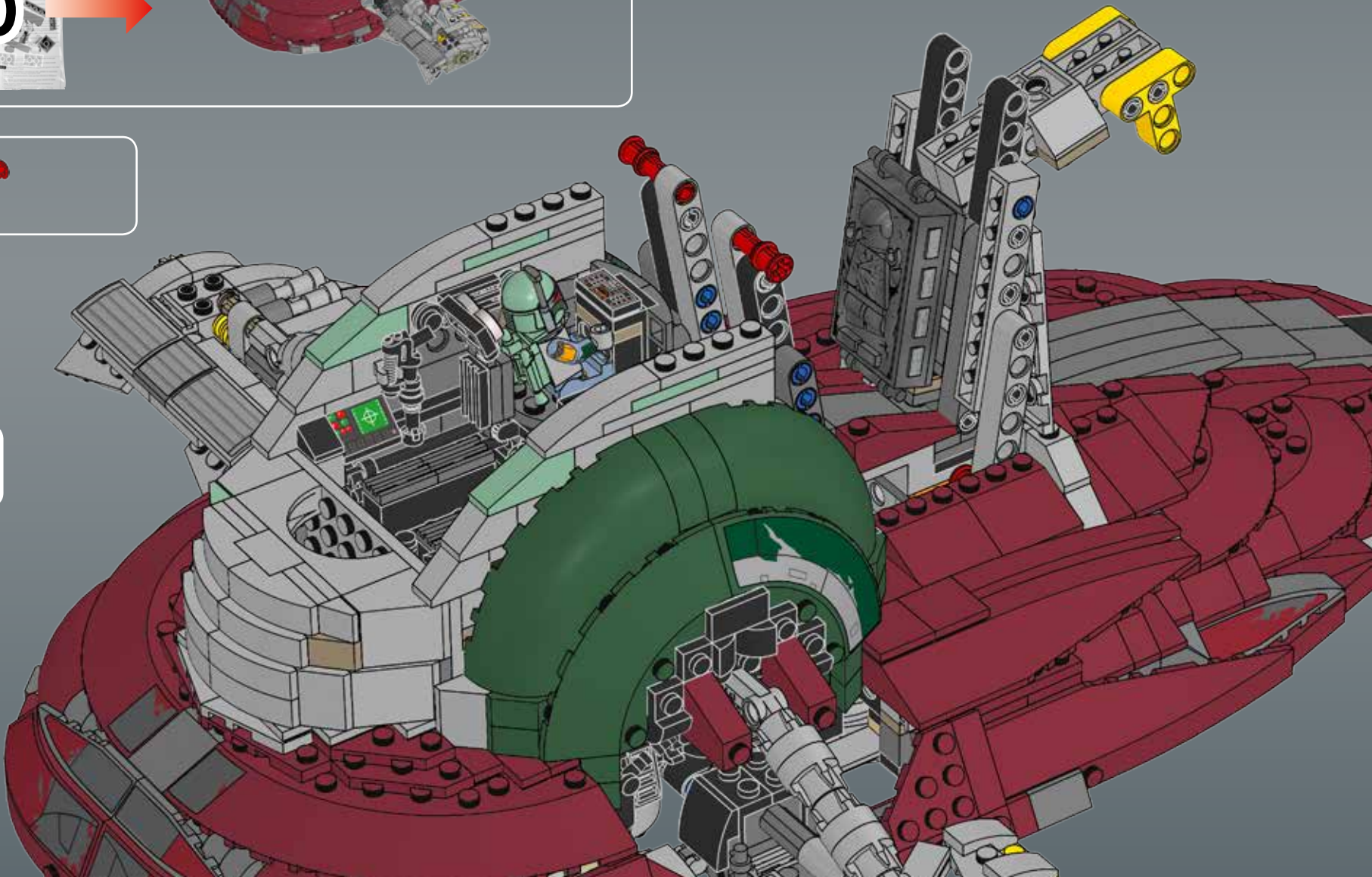


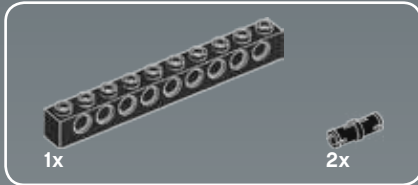
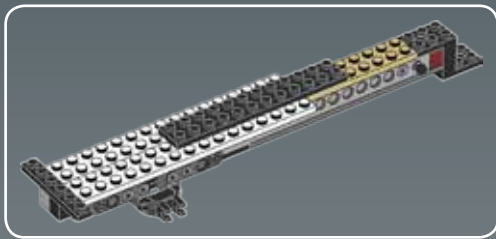
96



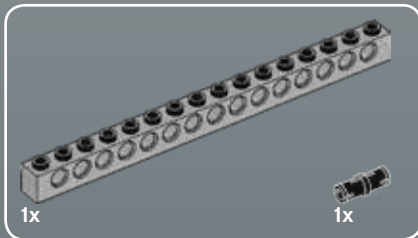
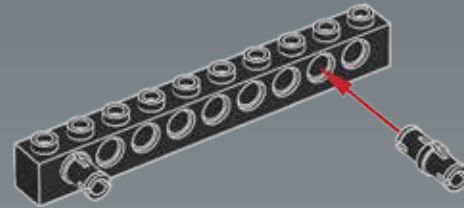


97

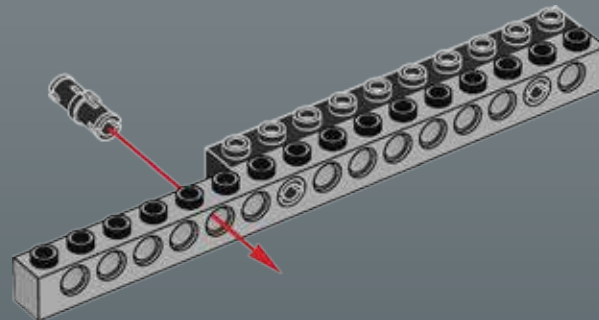


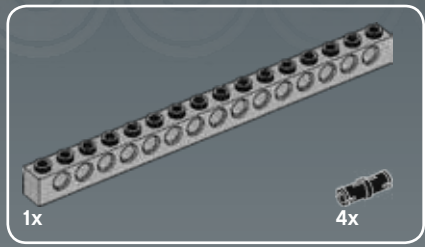


1

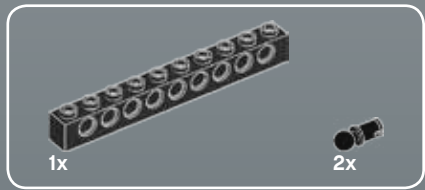
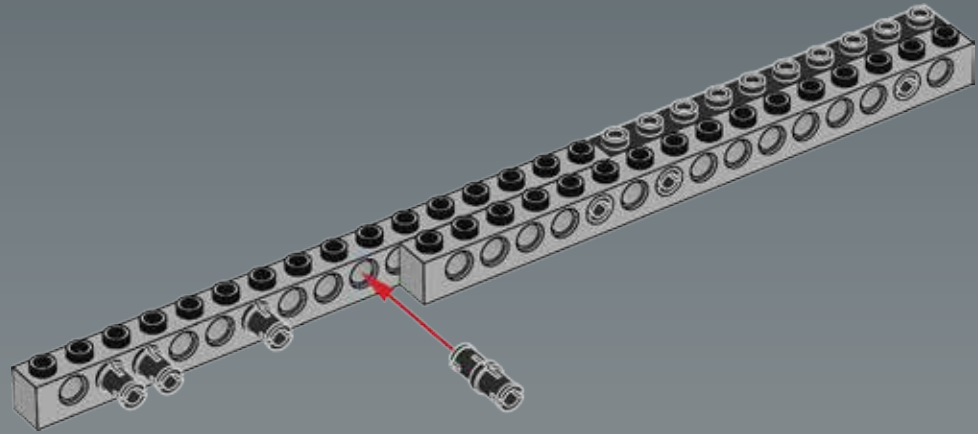


2

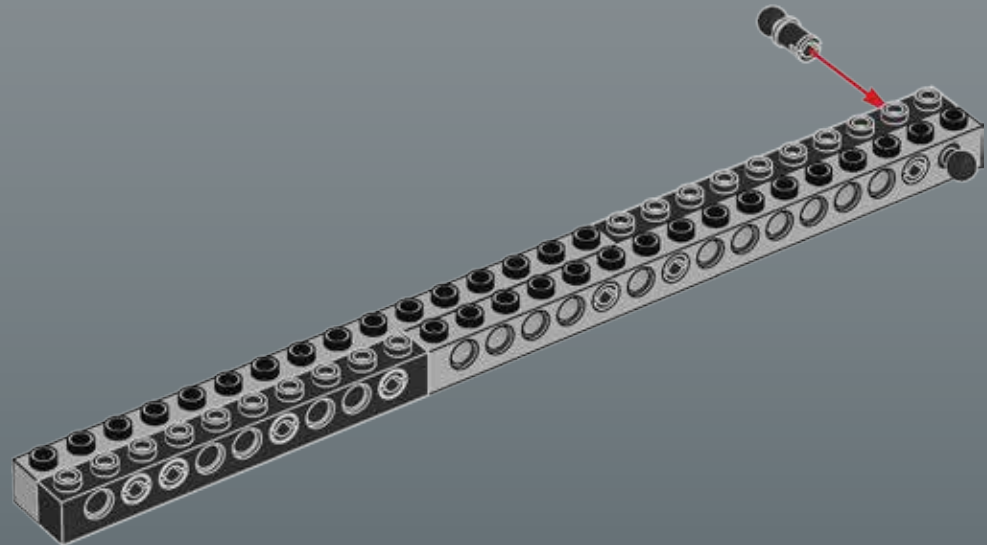


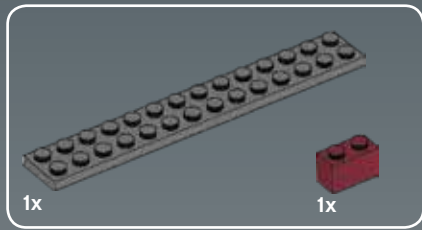


3

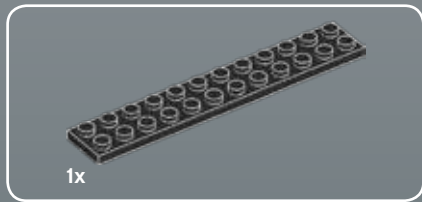
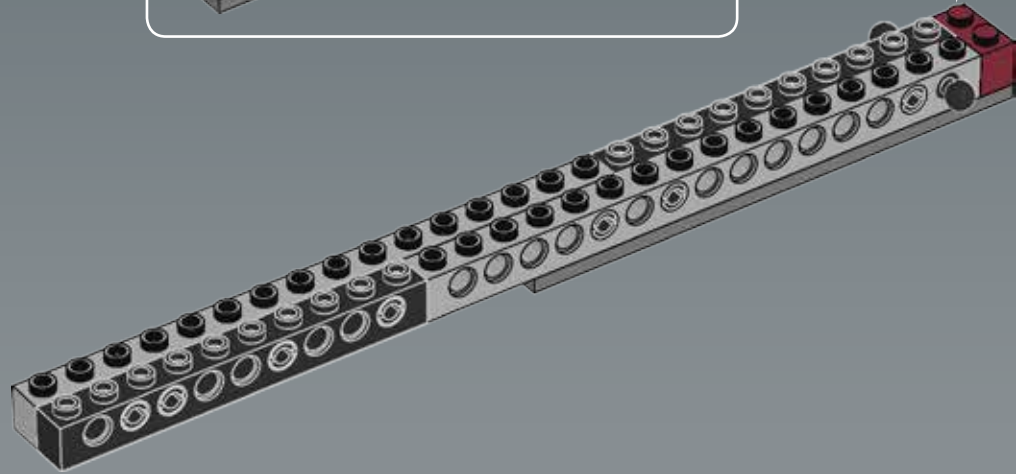
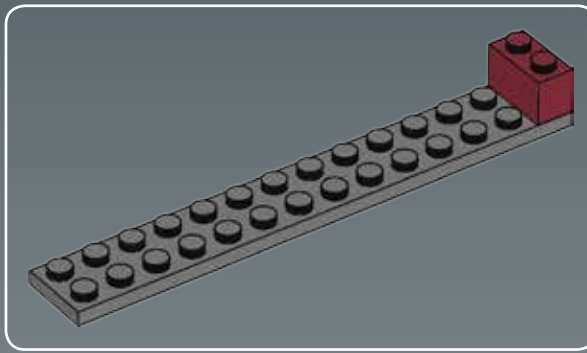


4

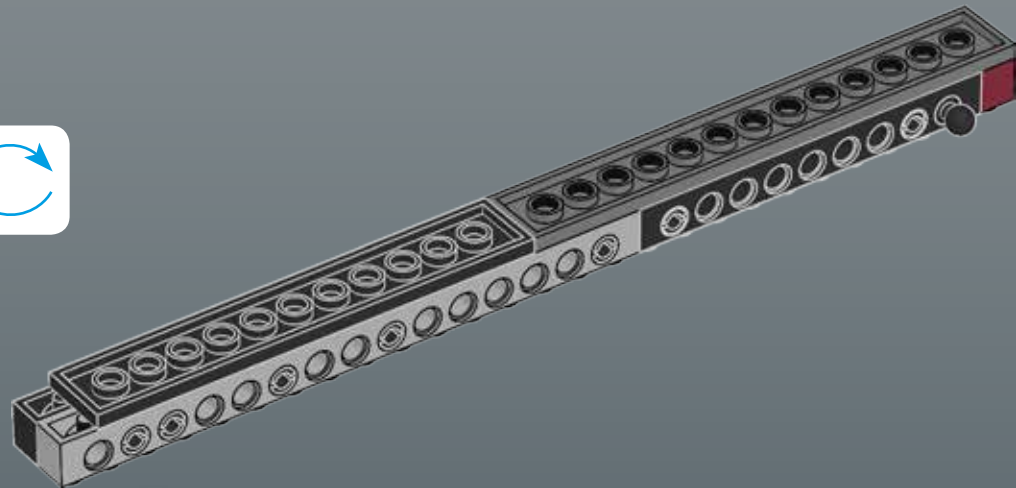




5

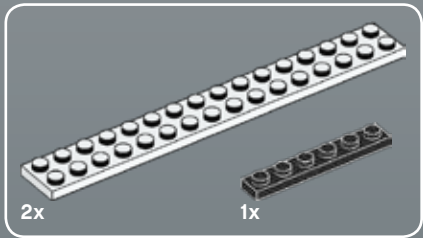
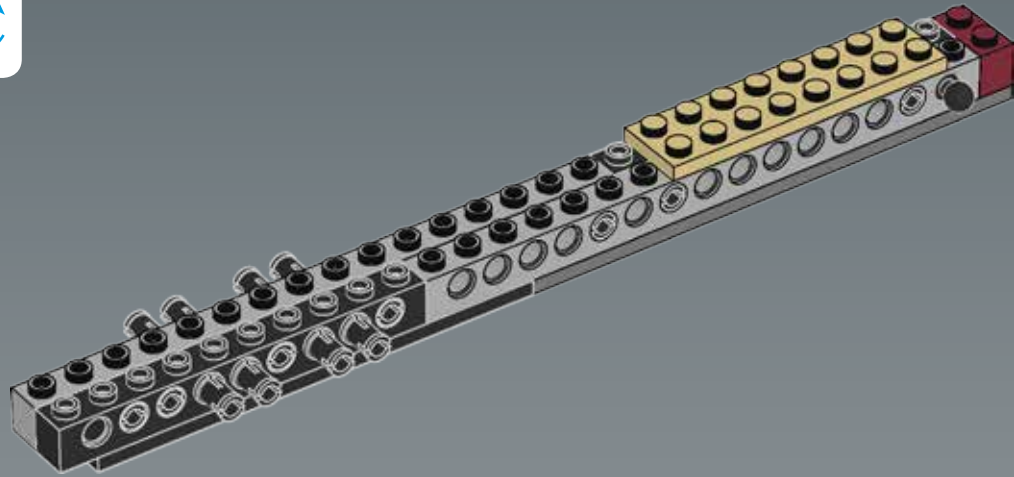


6

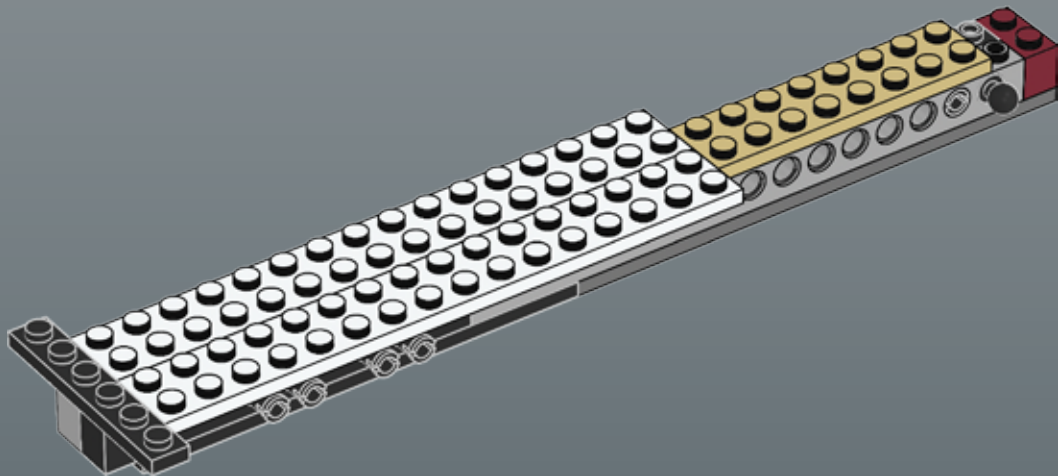


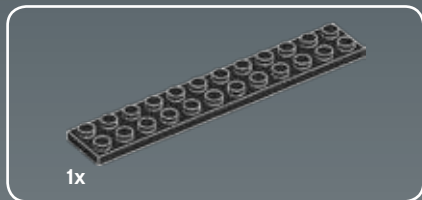


7

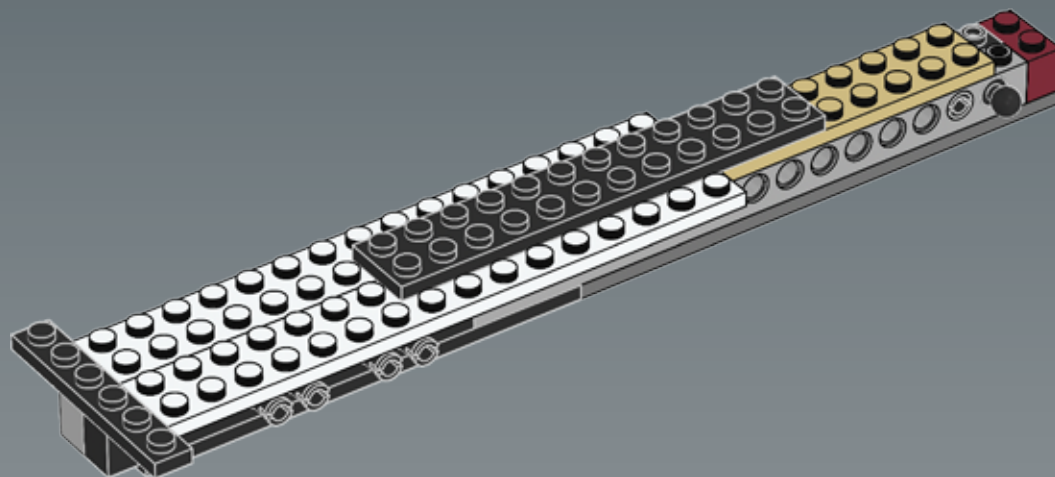


8

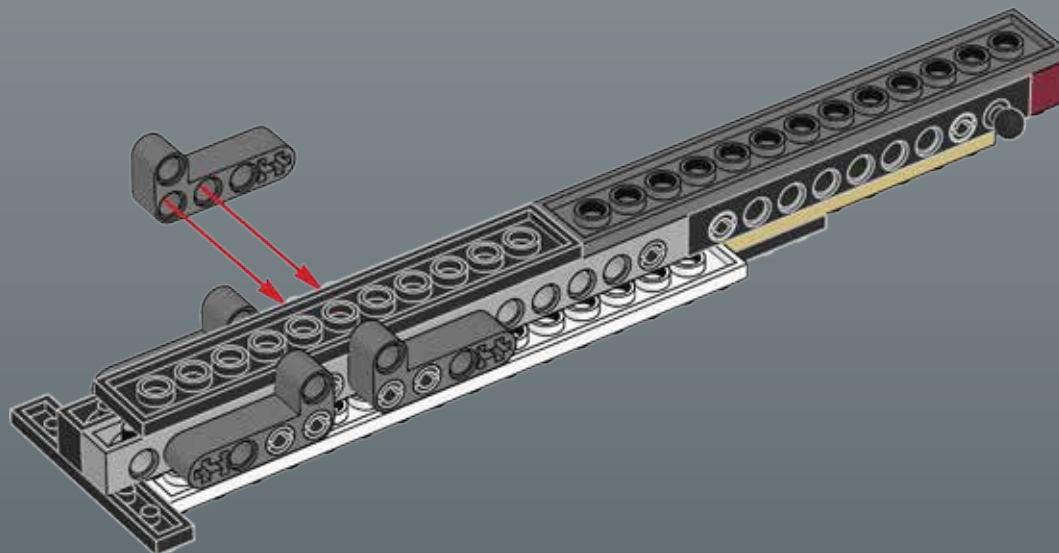




9



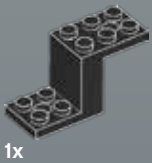
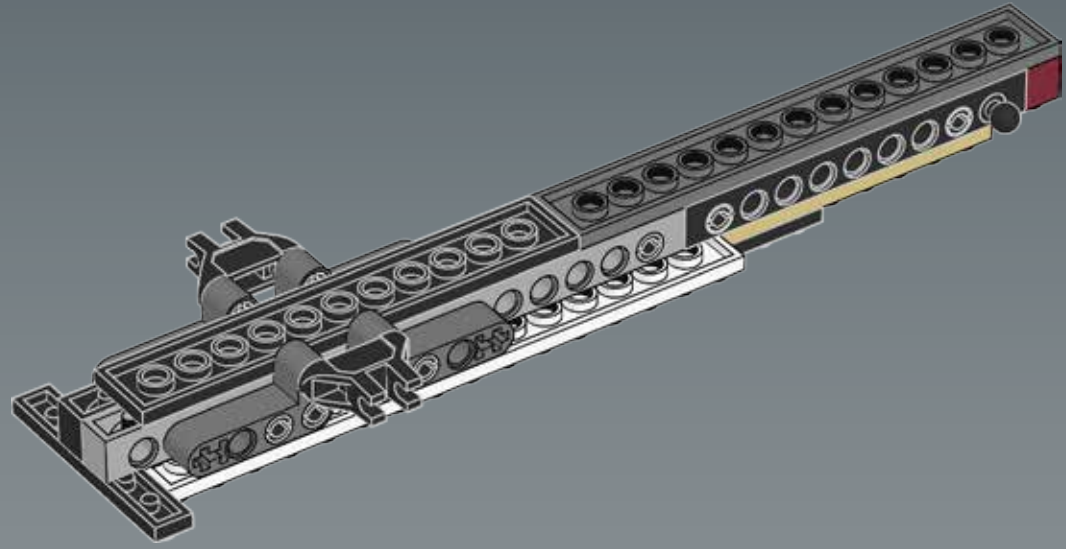
10





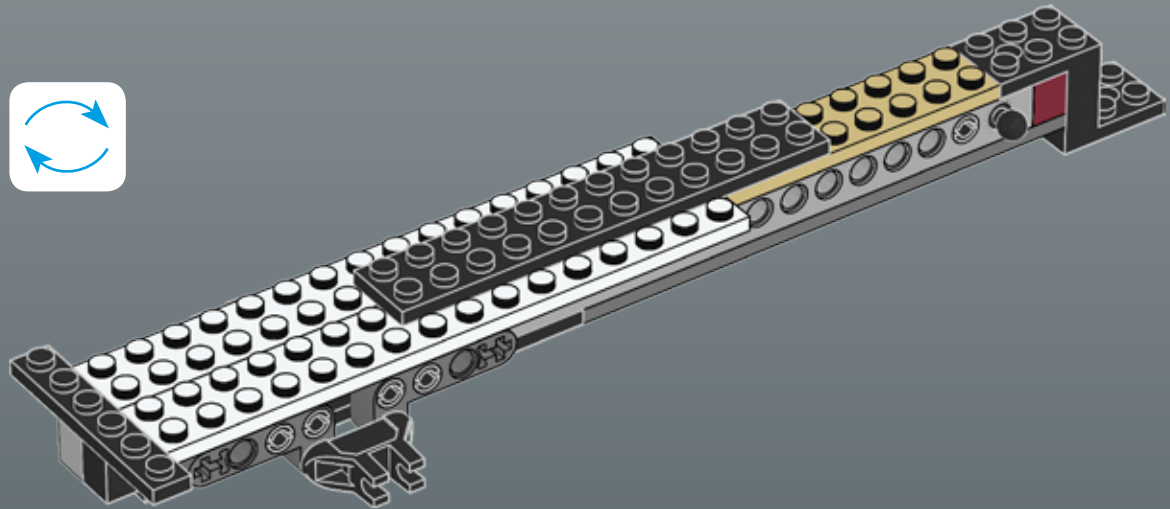
2x

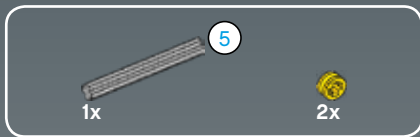
11



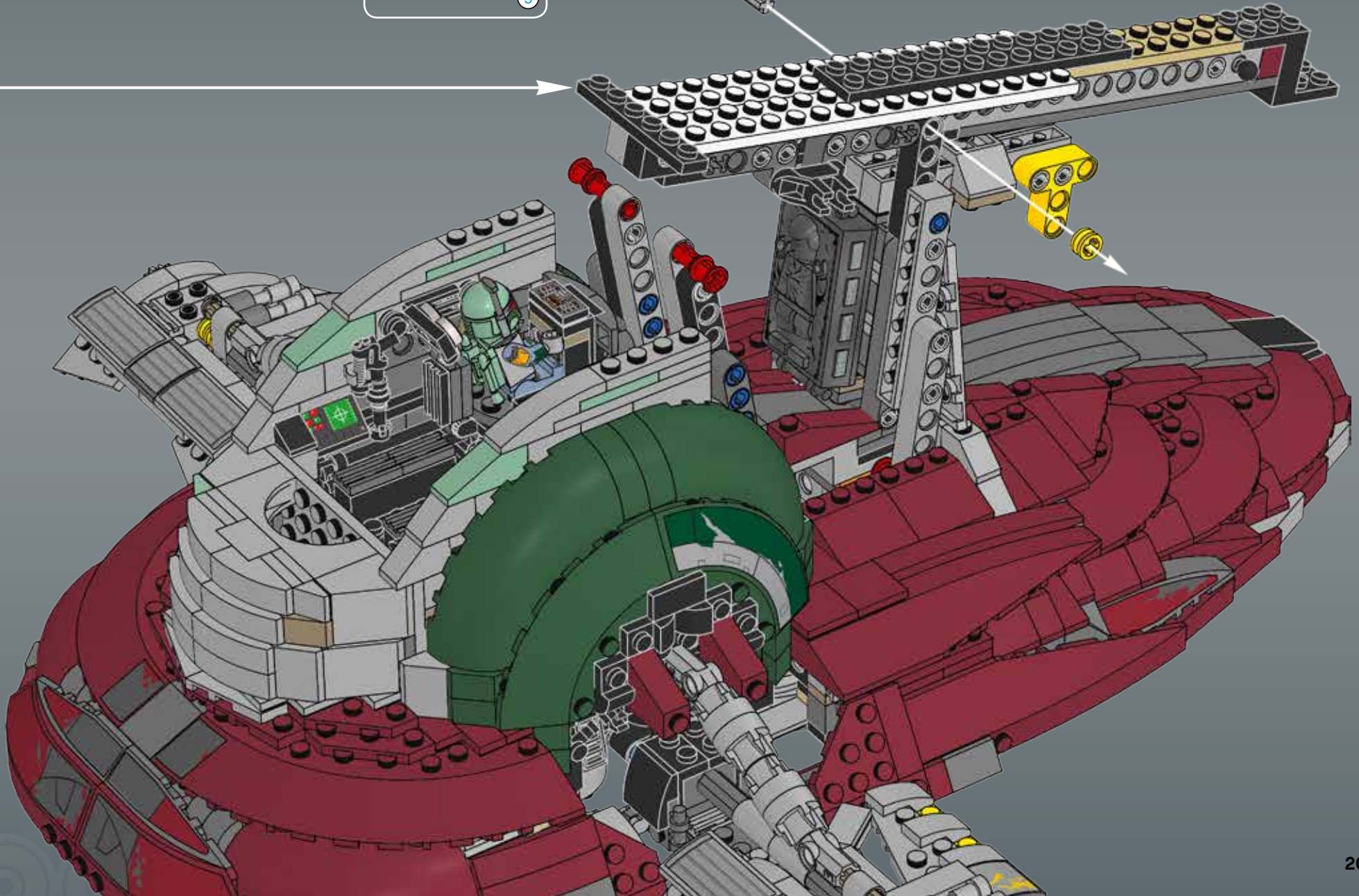
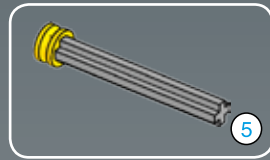
1x

12

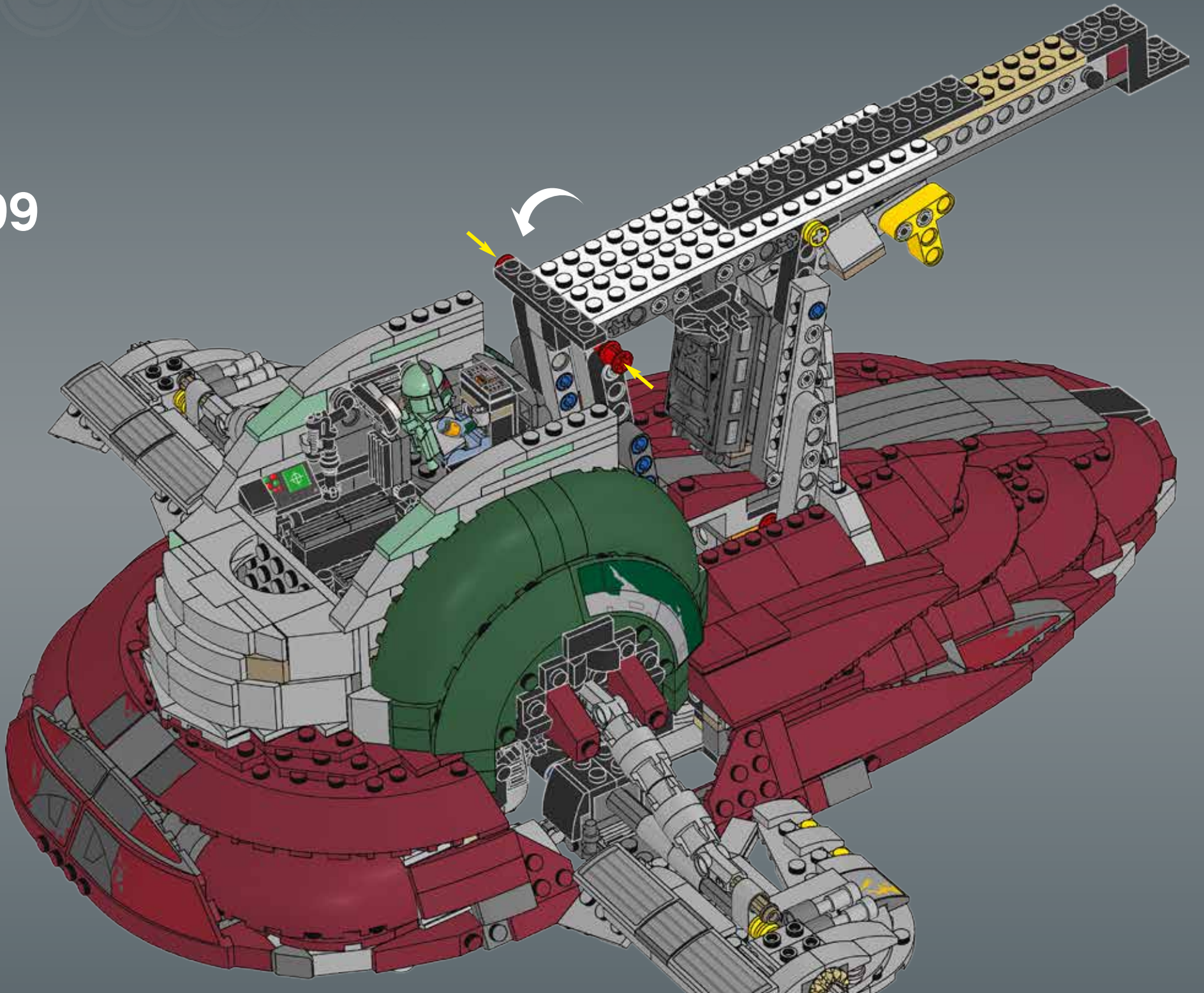




98

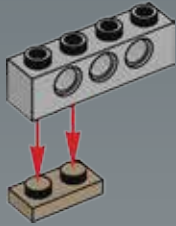


99

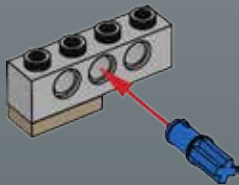




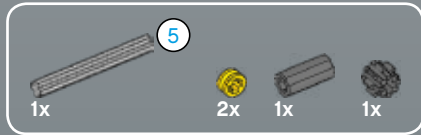
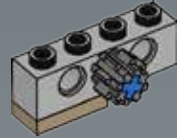
1



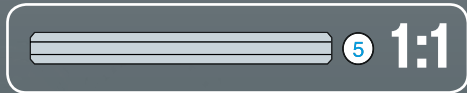
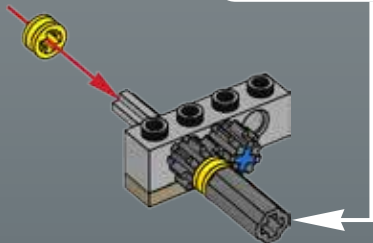
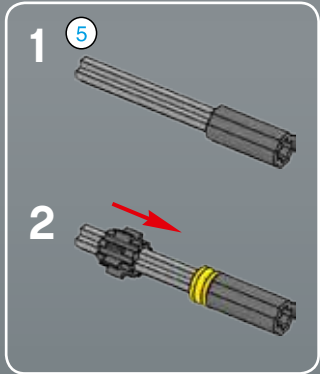
2



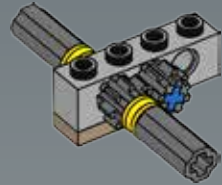
3



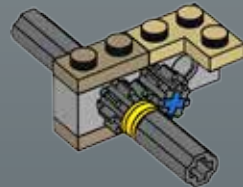
4



5

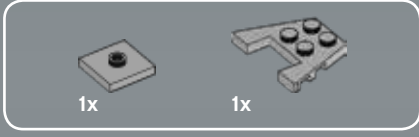
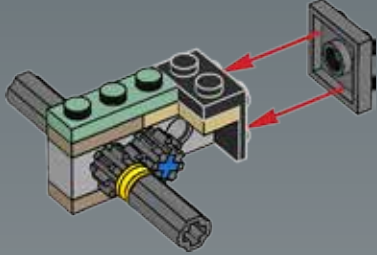


6

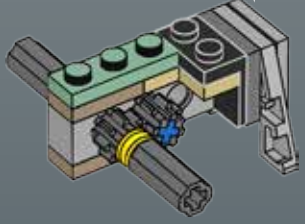
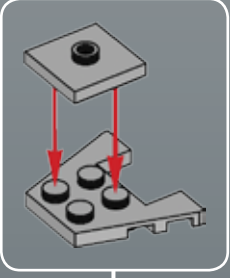




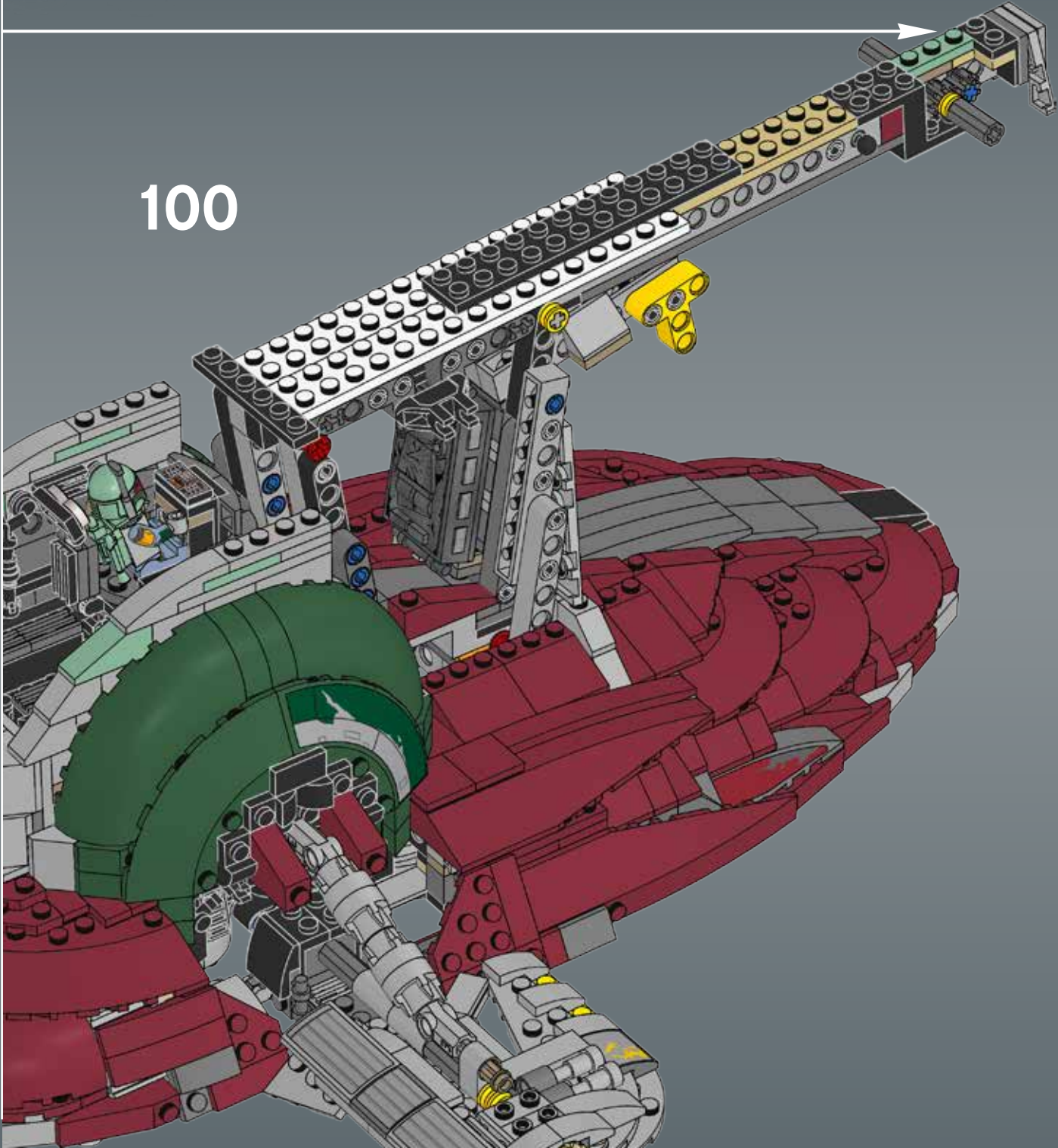
7

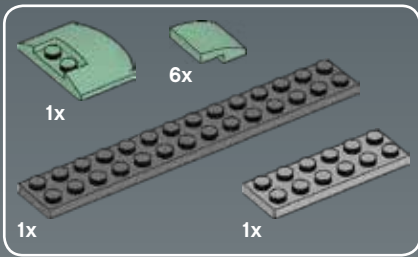


8

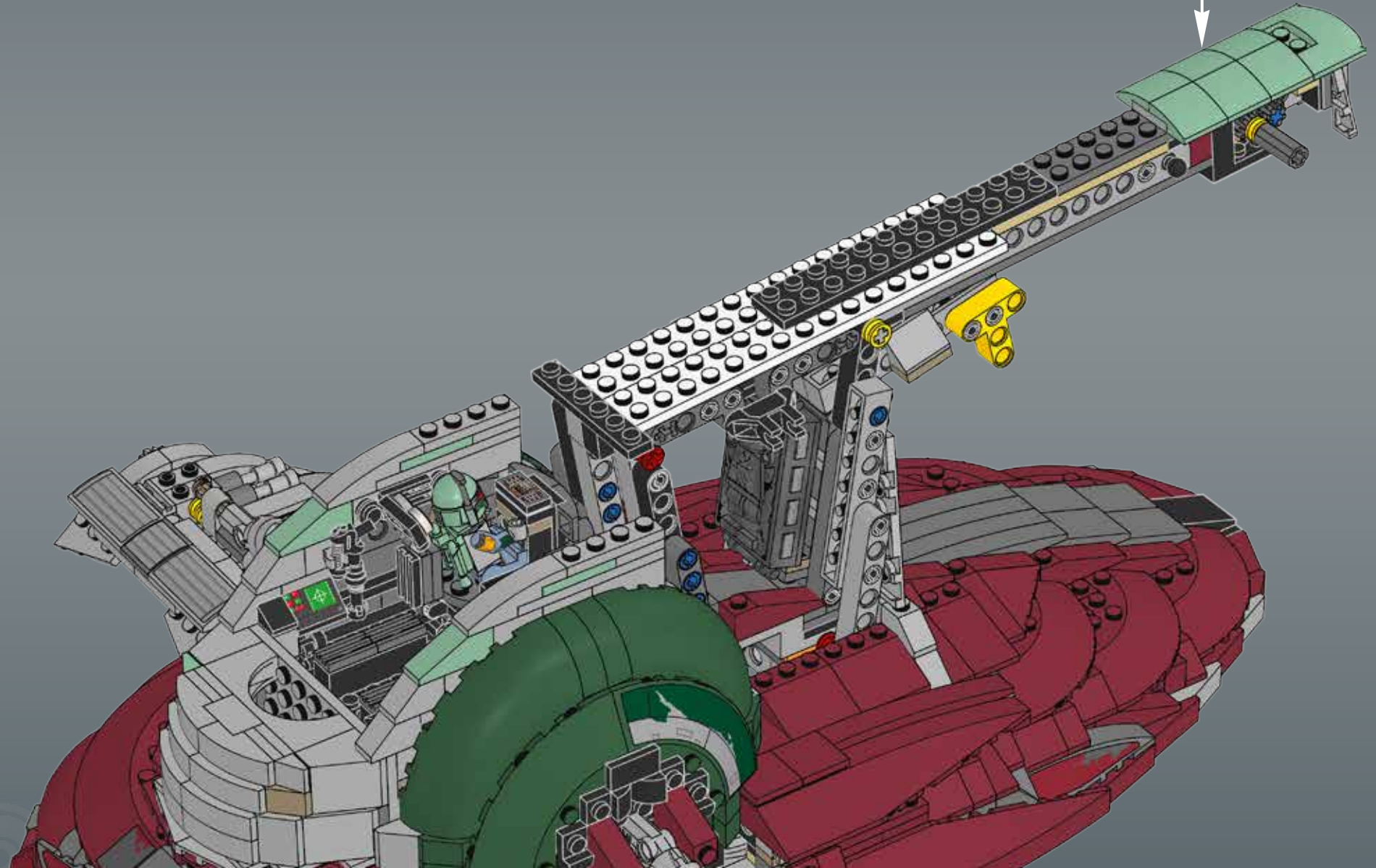
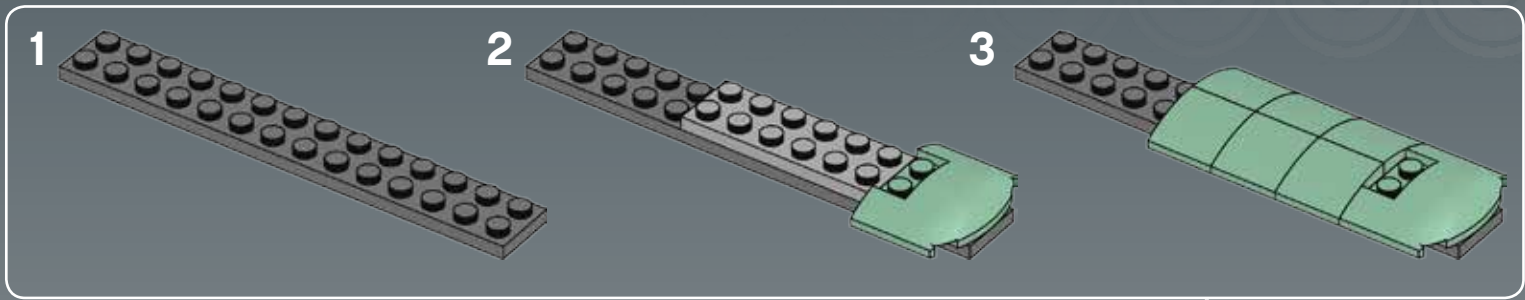


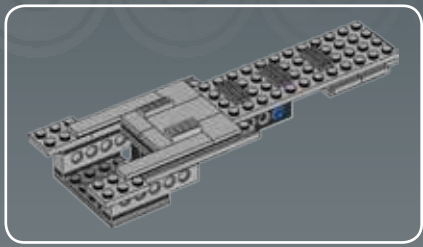
100



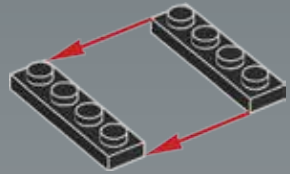


101

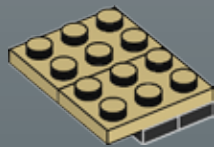




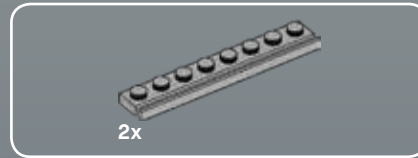
1



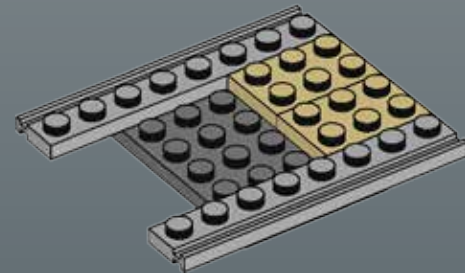
2



3

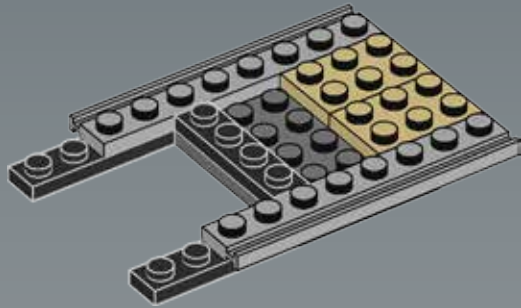


4

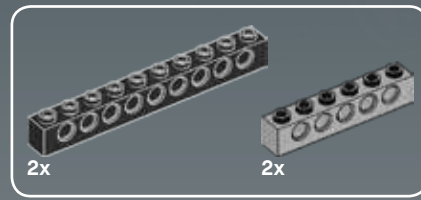
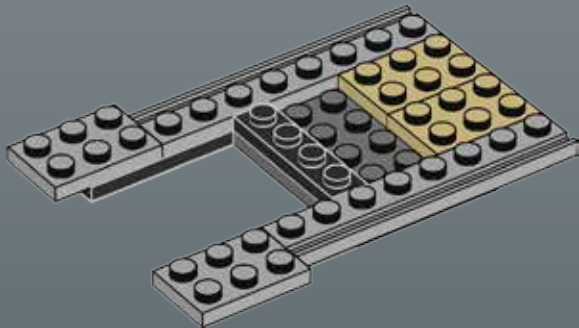




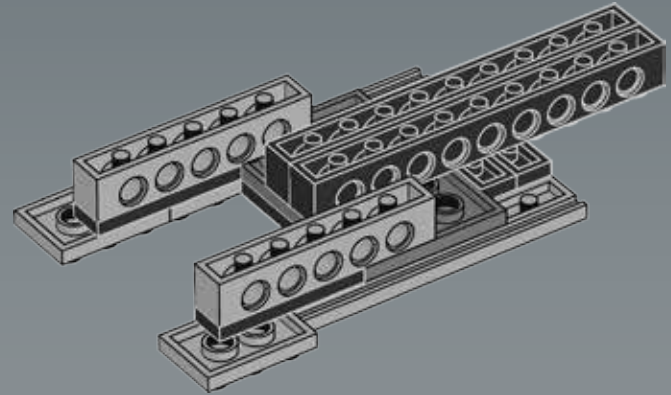
5



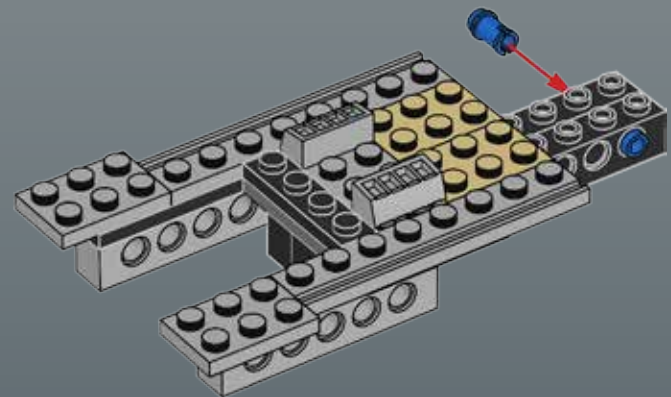
6

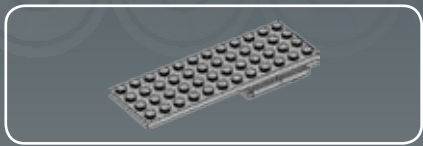


7

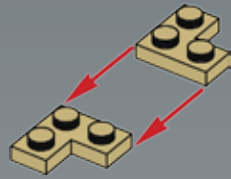


8

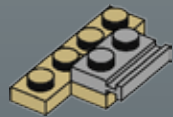




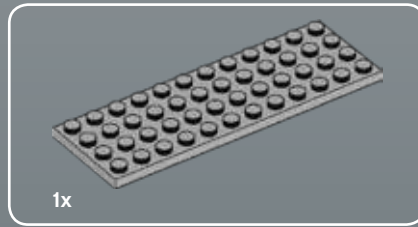
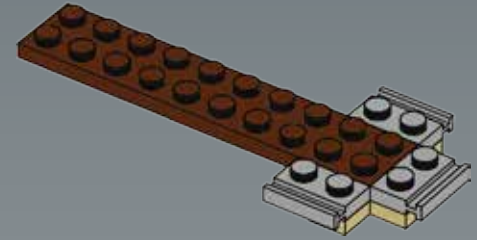
1



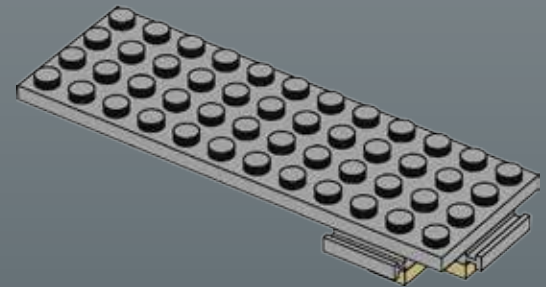
2



3

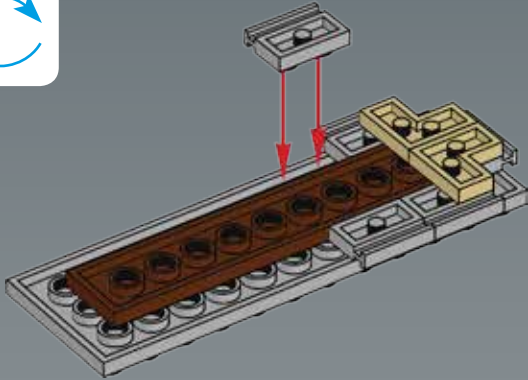


4

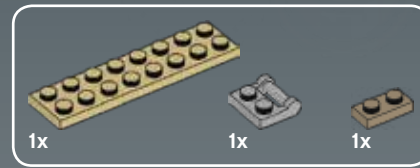
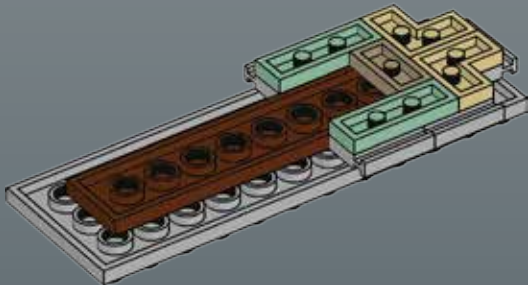




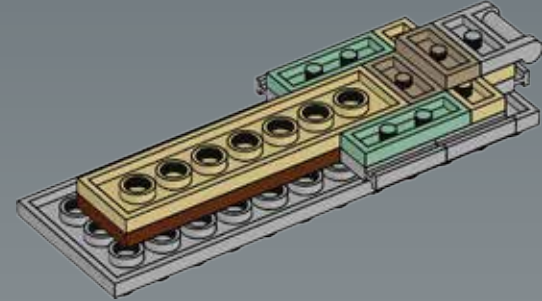
5



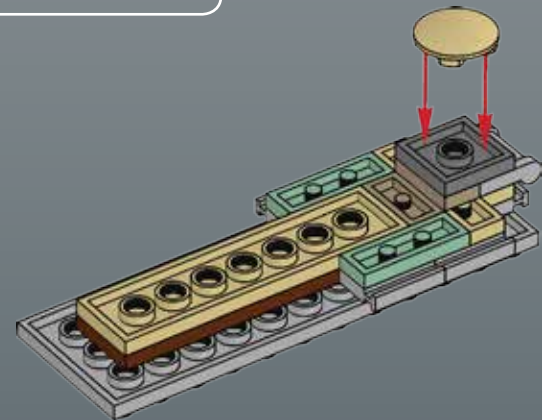
6



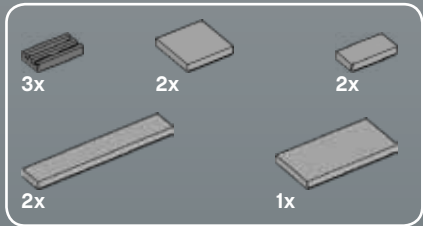
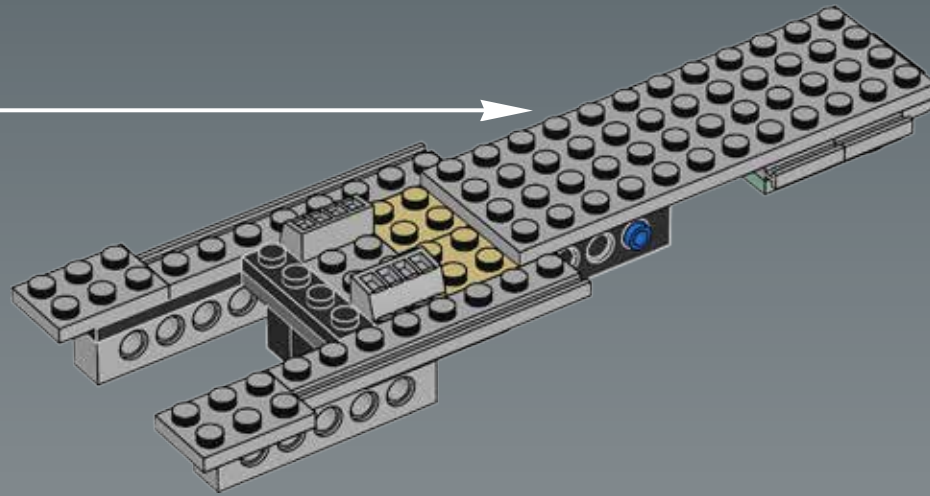
7



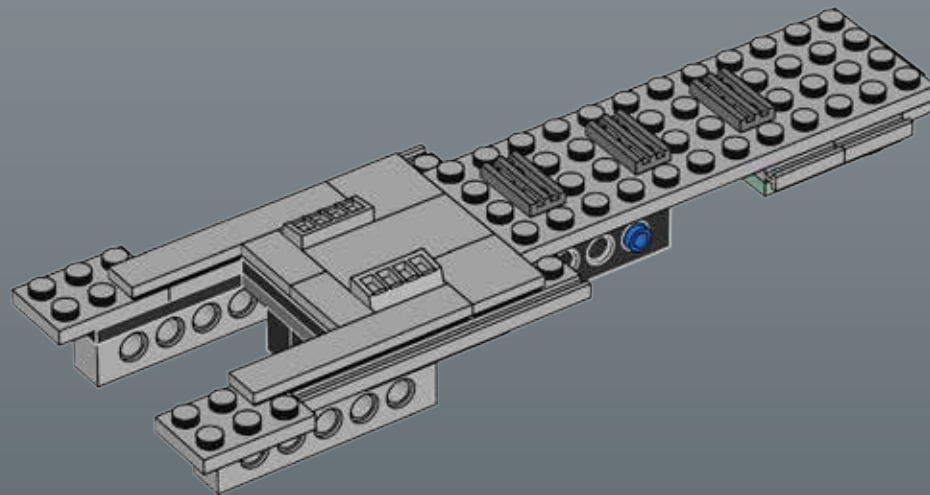
8

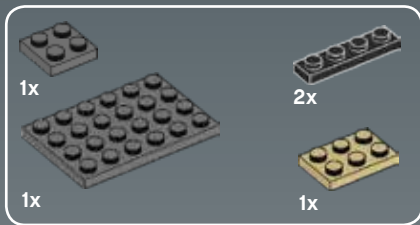


9

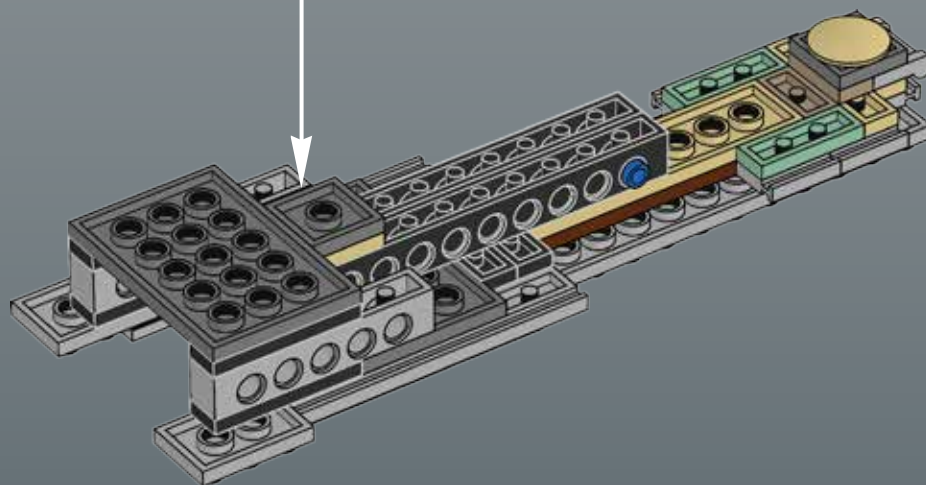
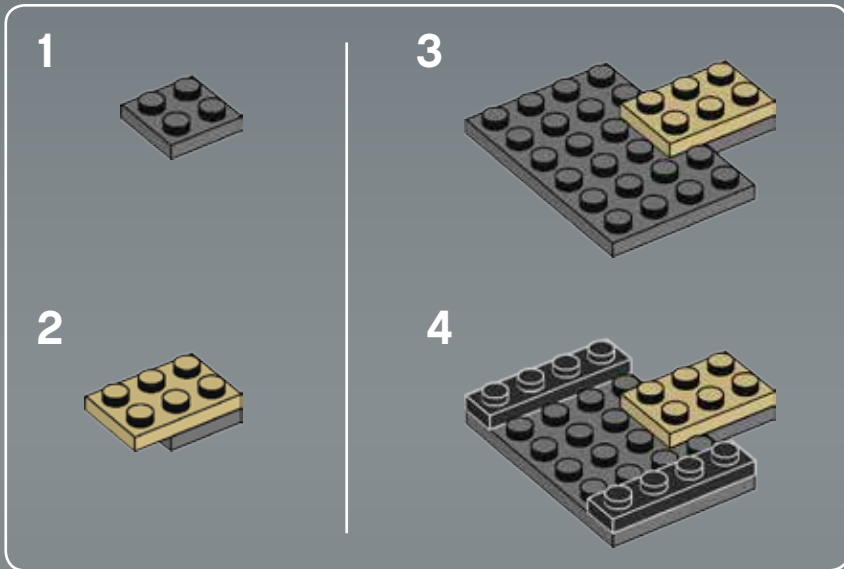


10

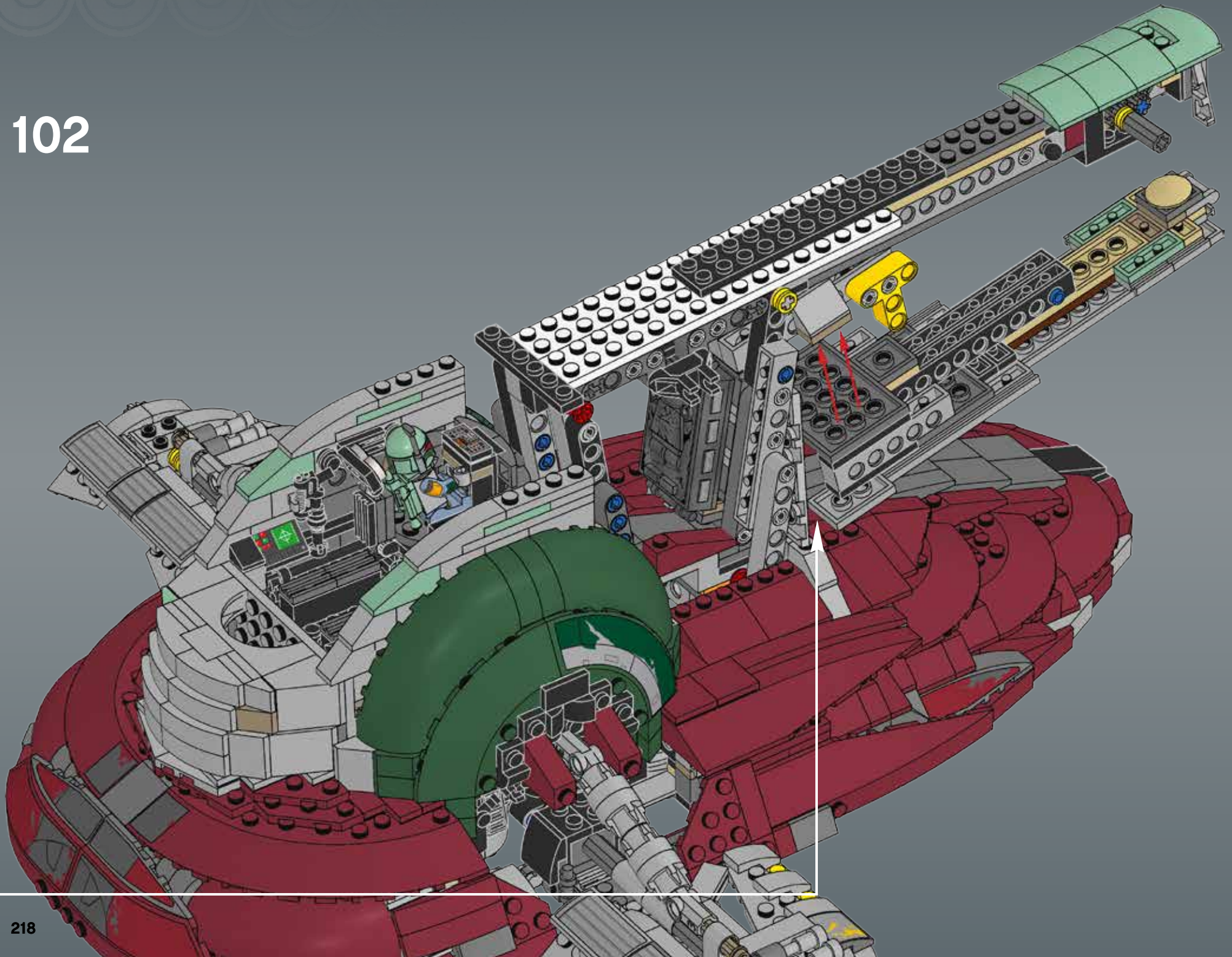


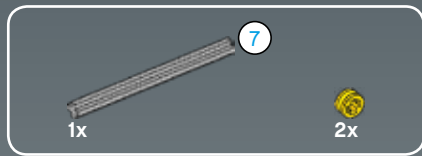


11

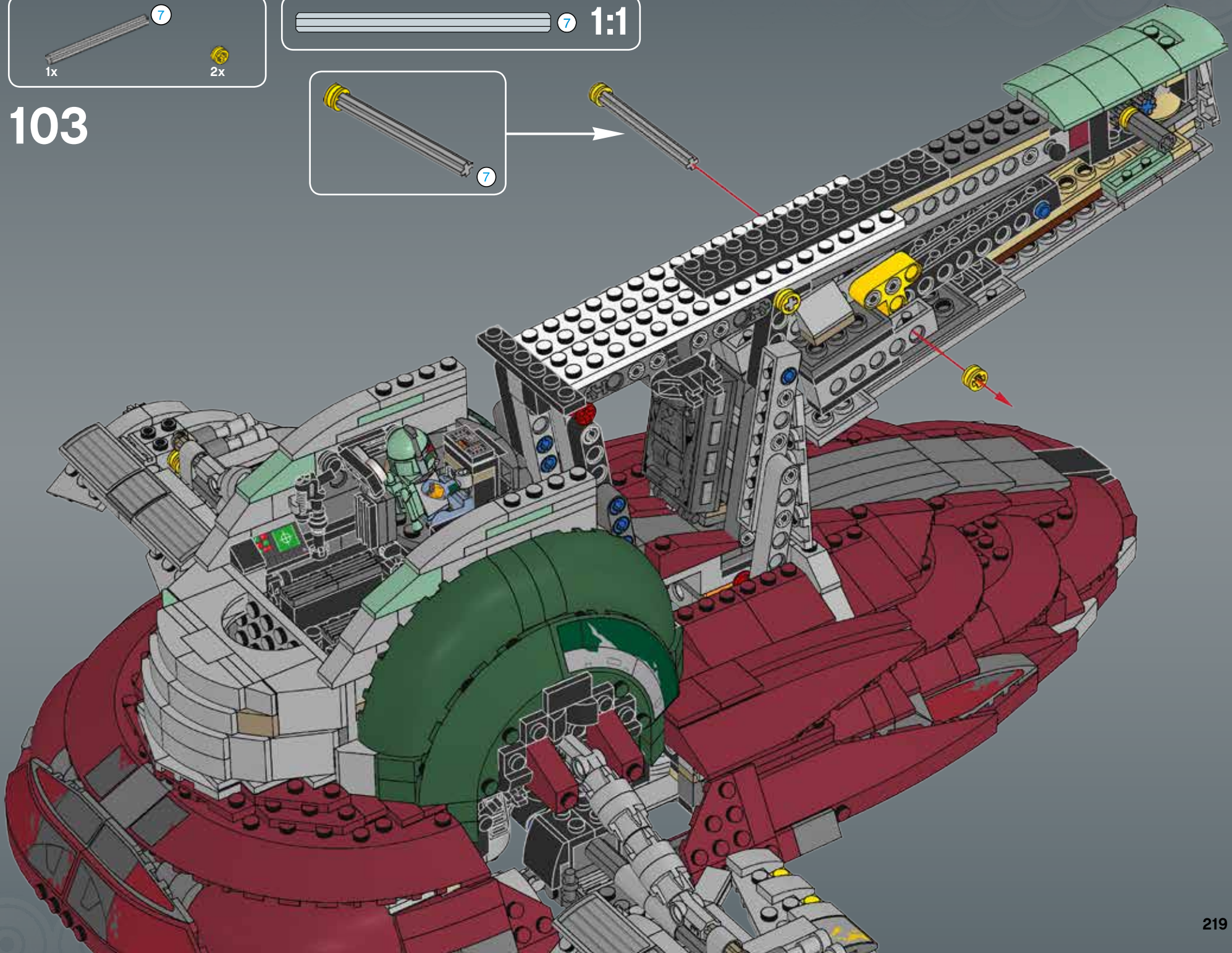
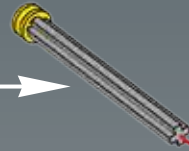
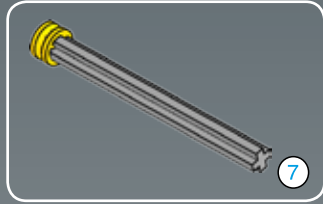


102



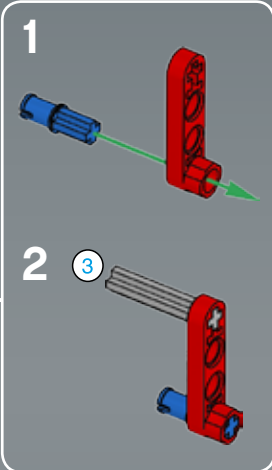
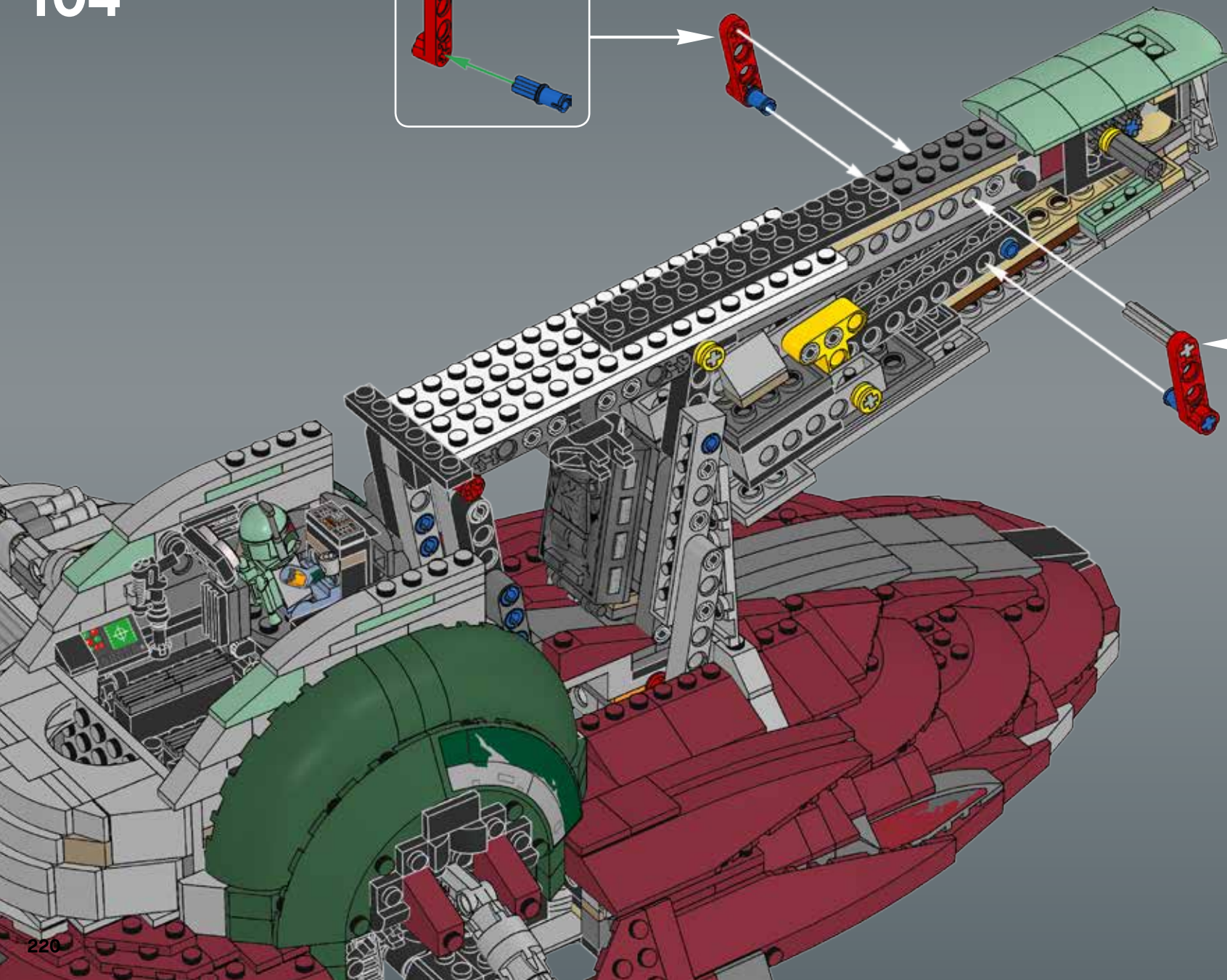
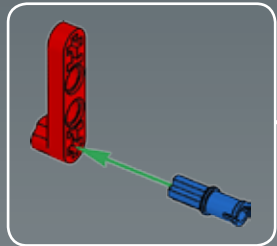


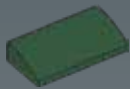
103





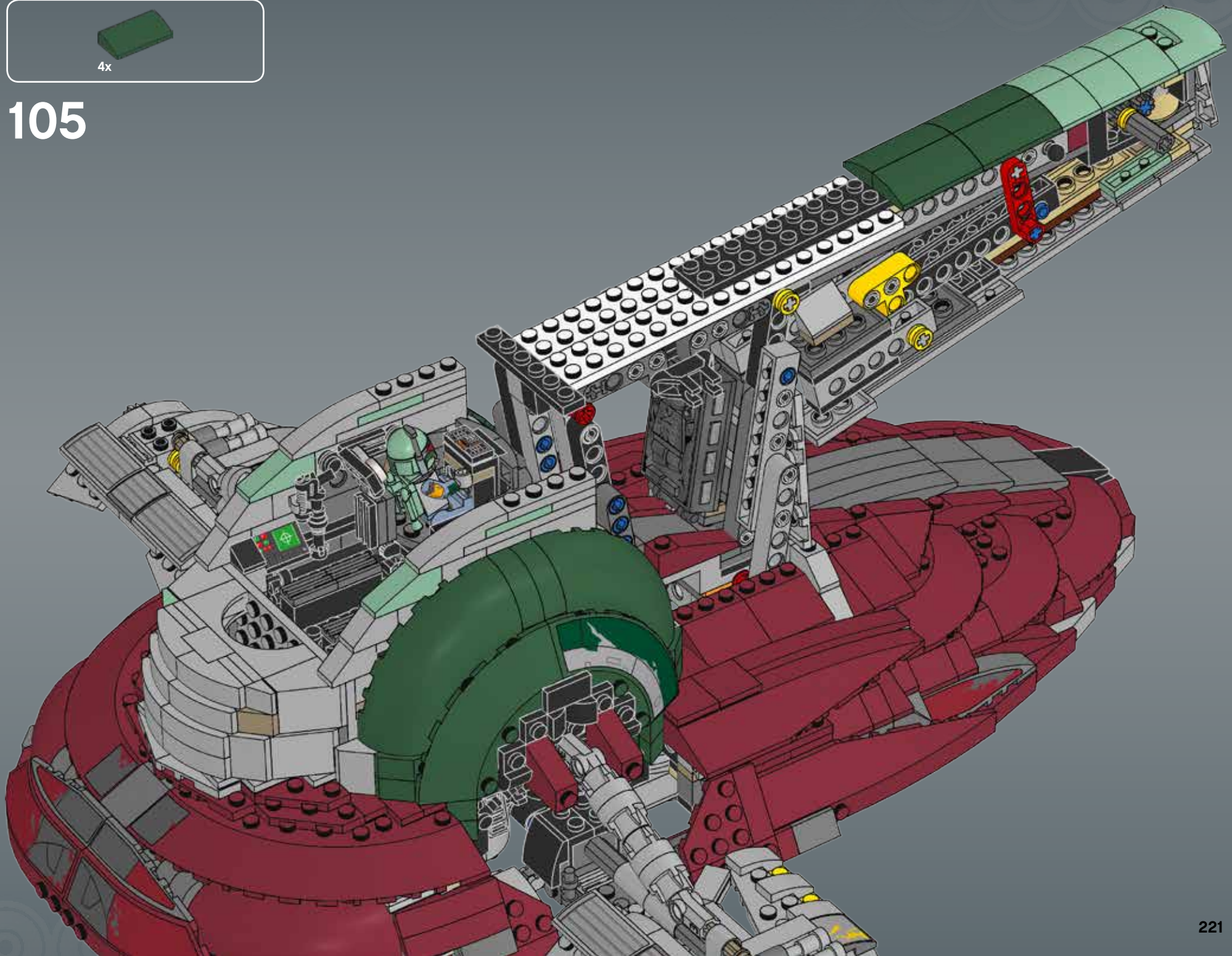
104

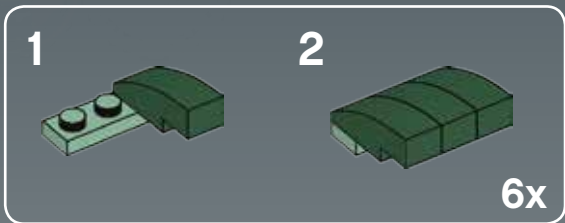




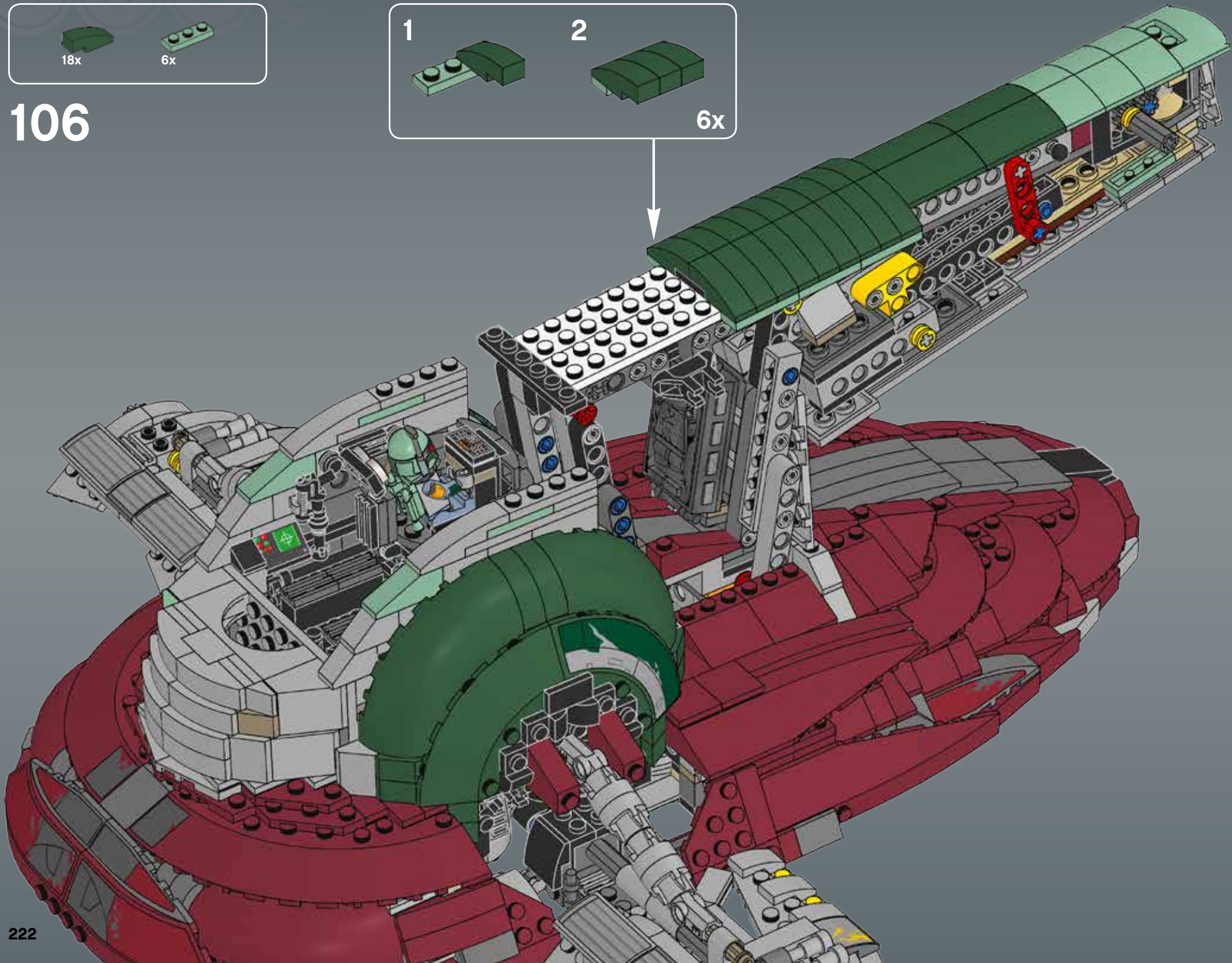
4x

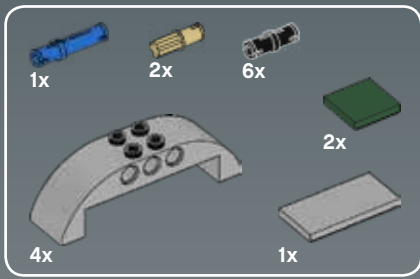
105



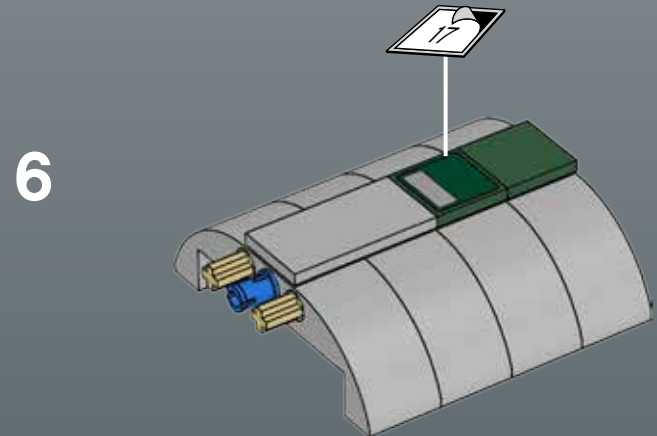
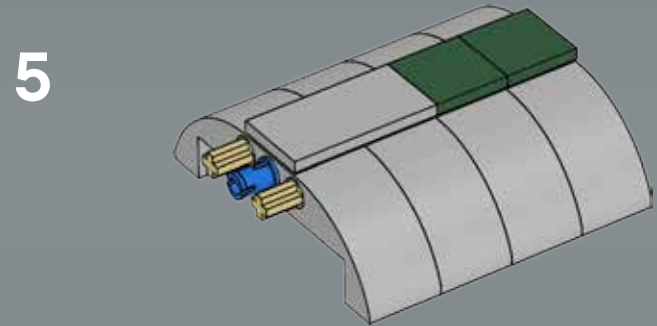
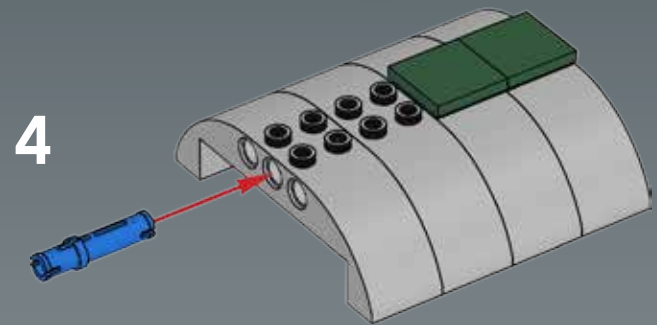
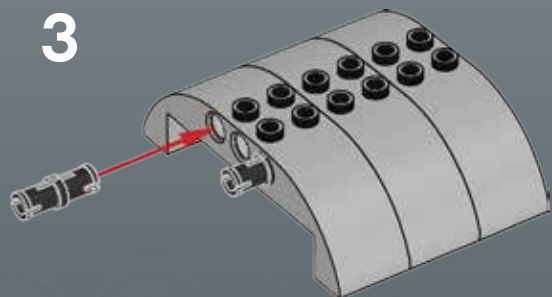
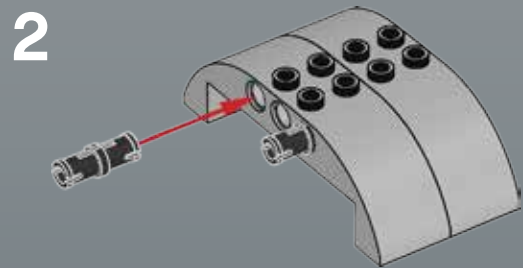
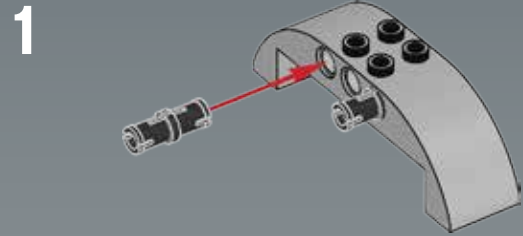


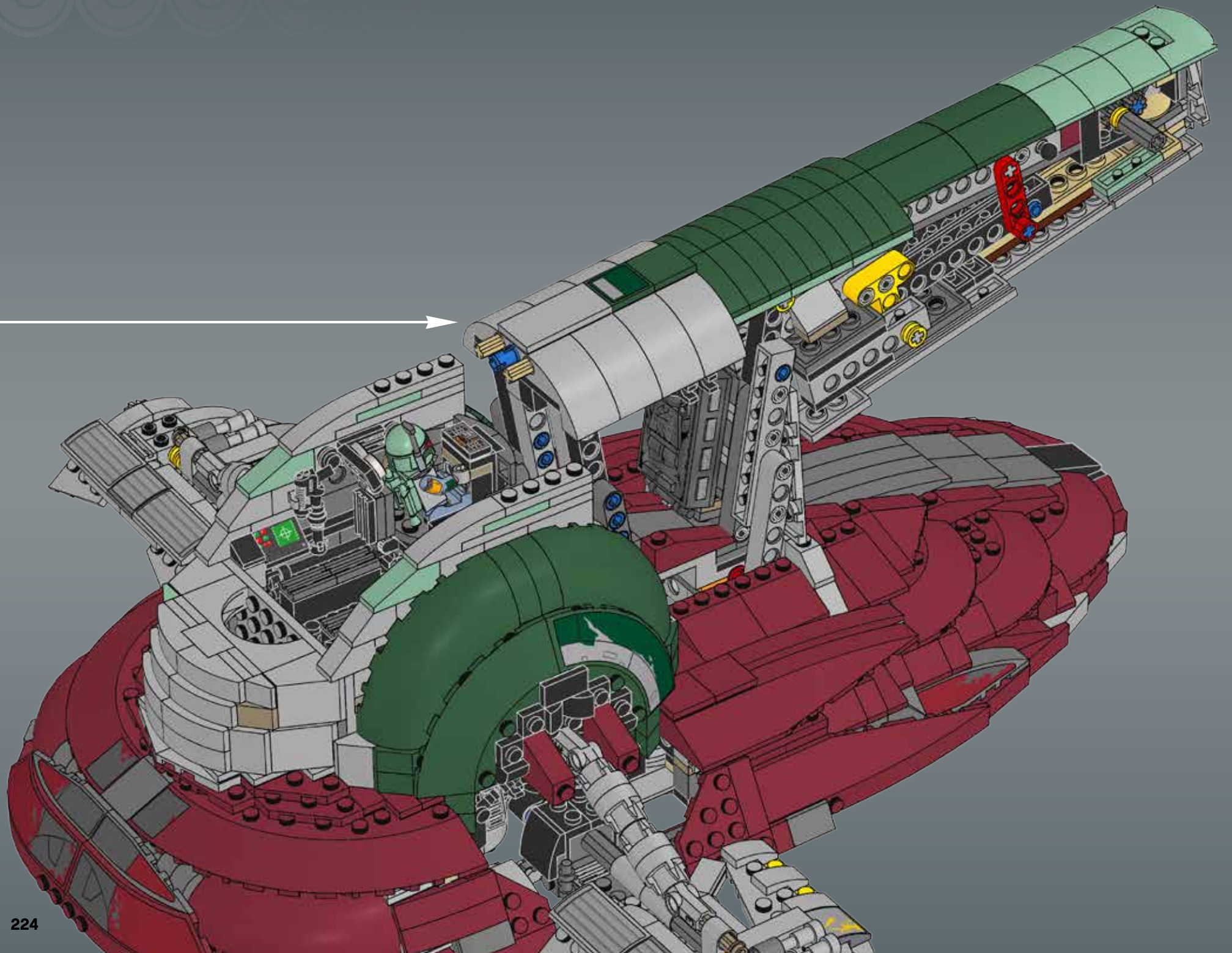
106

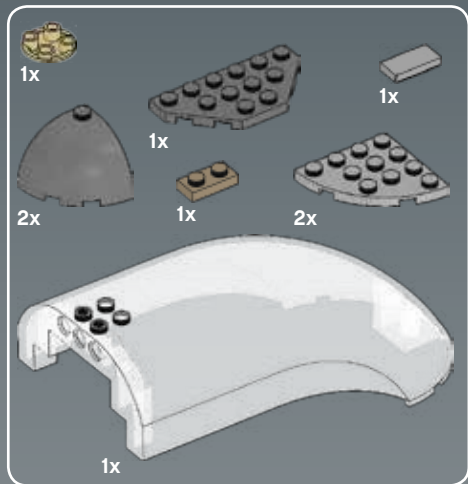




107

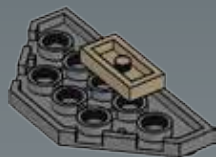




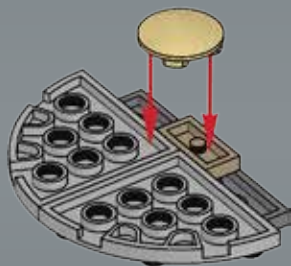


108

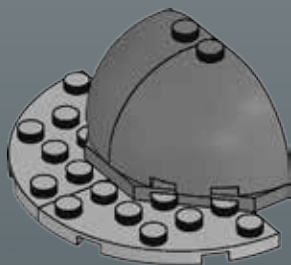
2



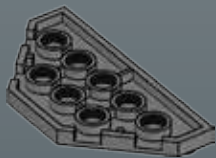
3



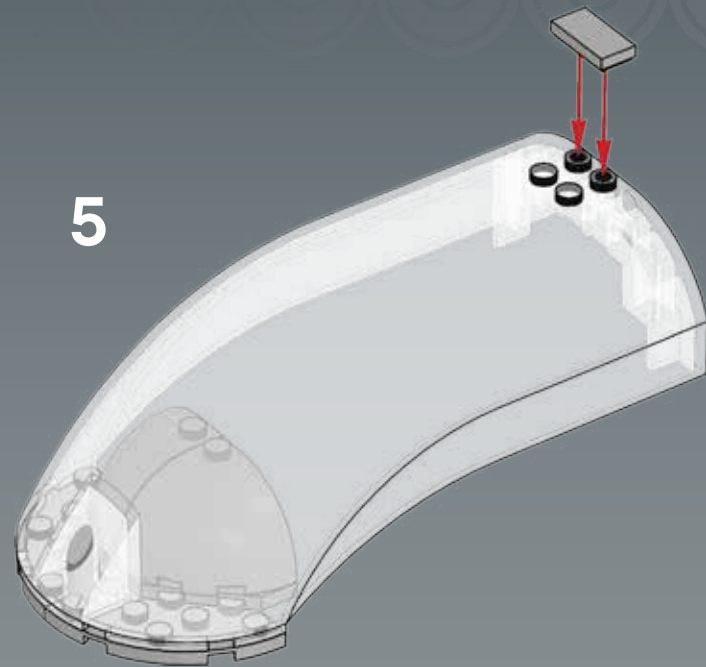
4



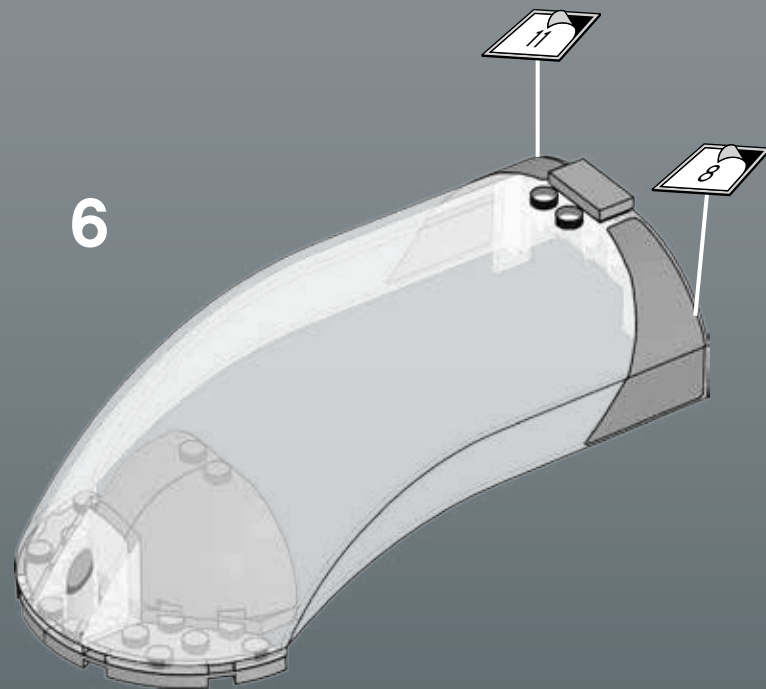
1

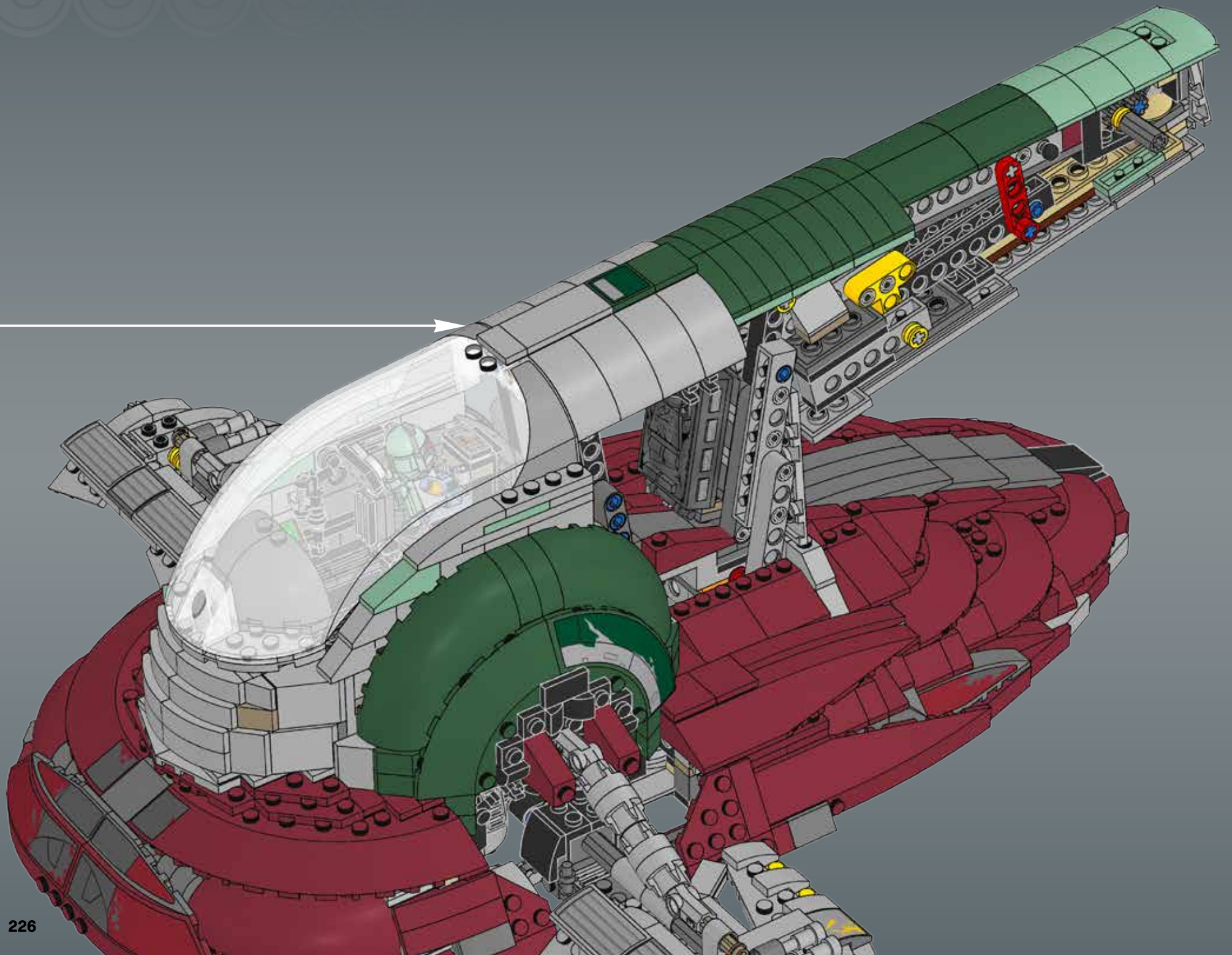


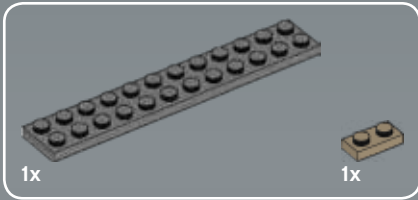
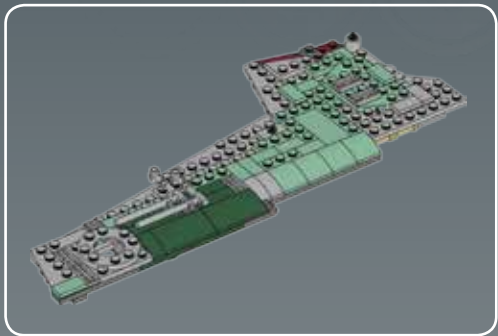
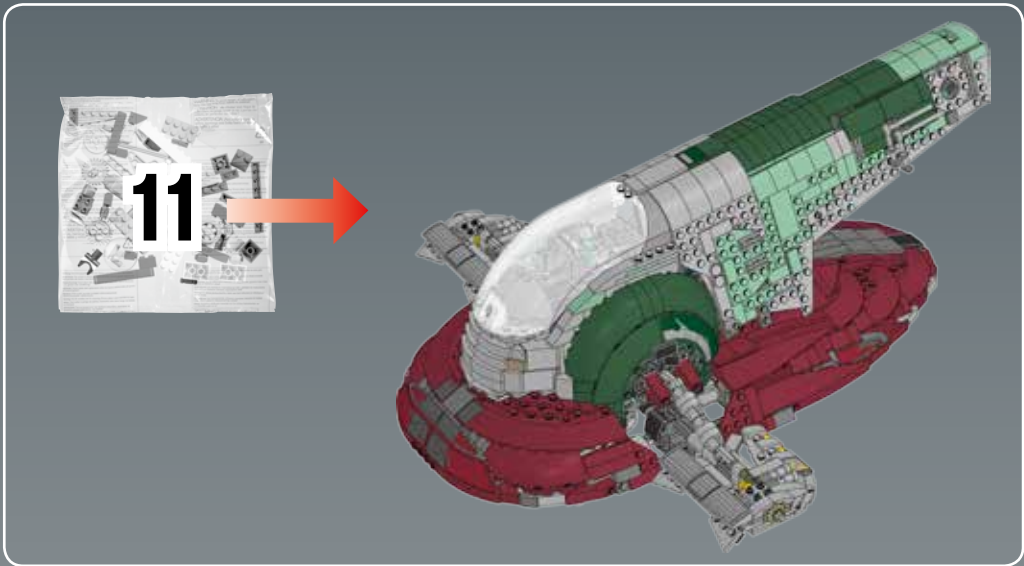
5



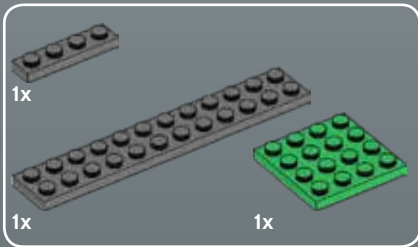
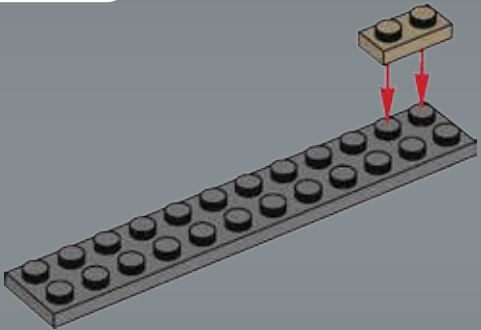
6



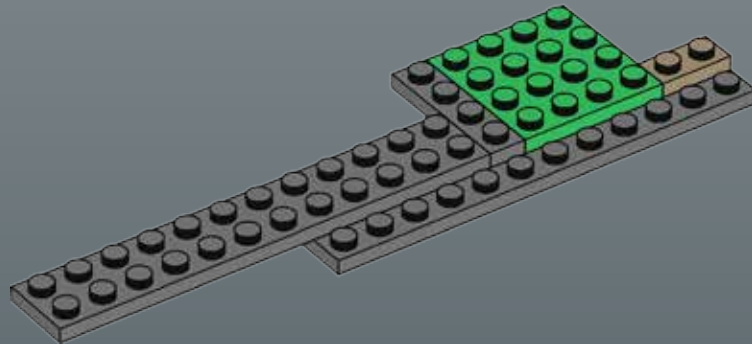




1

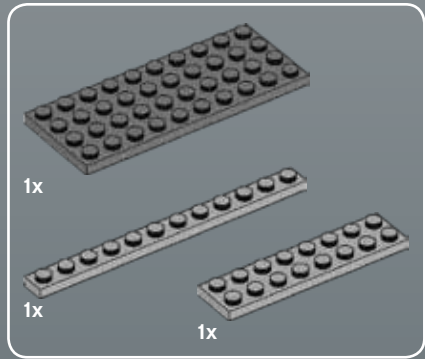
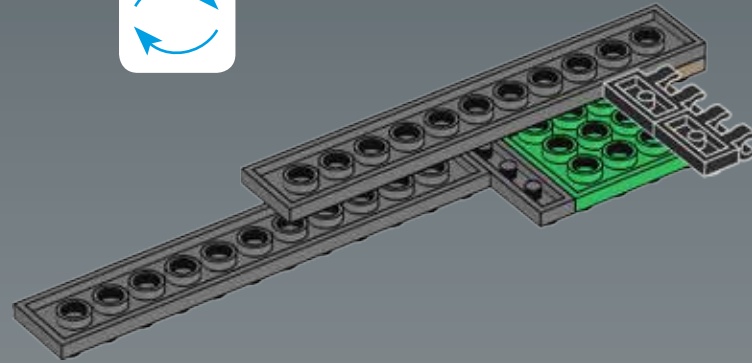


2

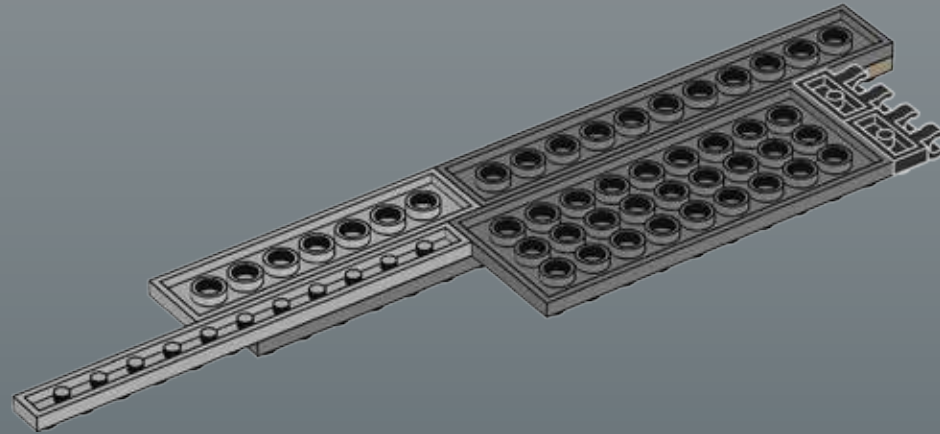


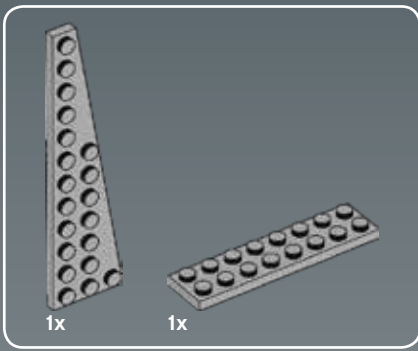


3

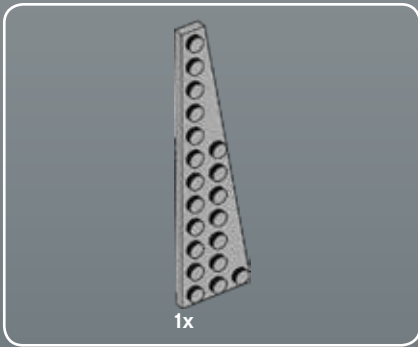
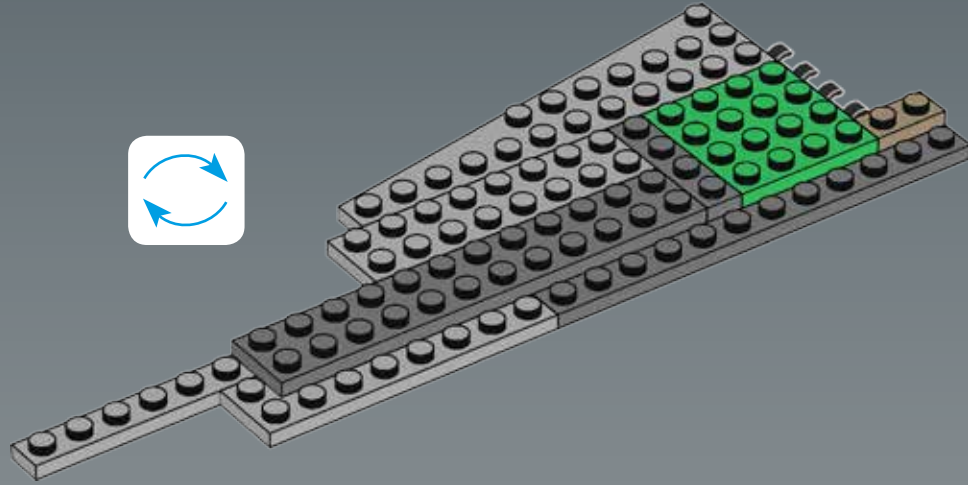


4

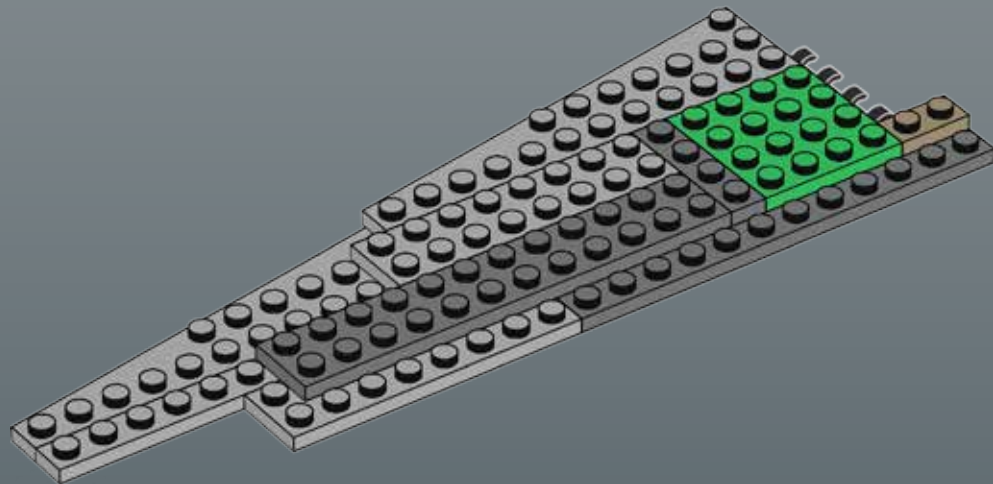




5

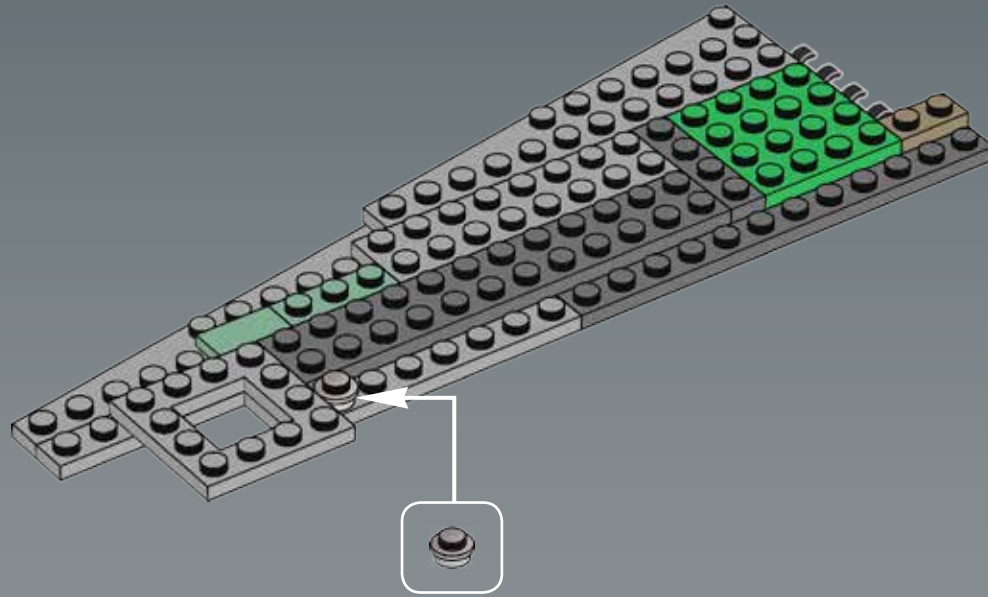


6

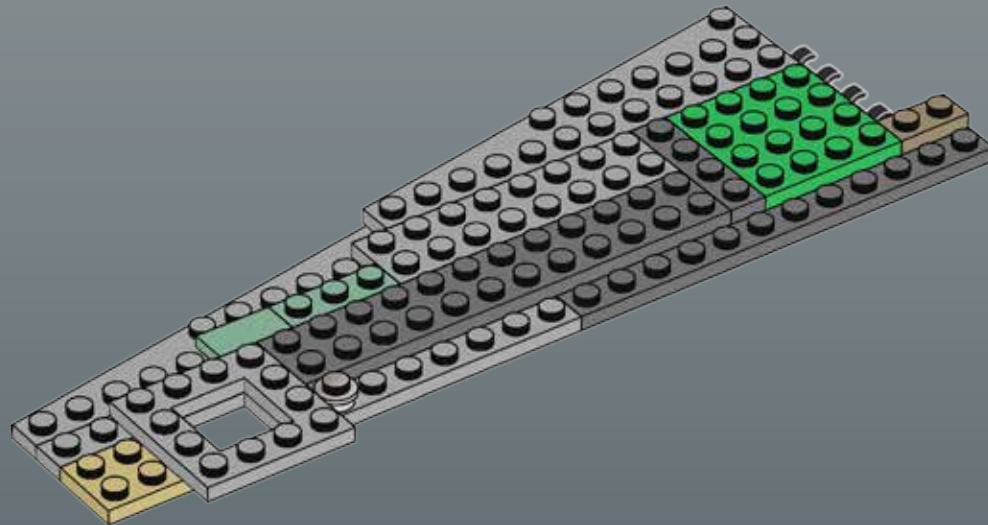


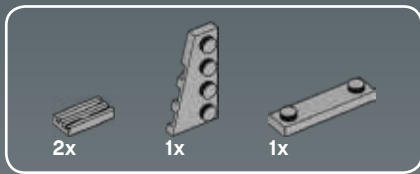


7

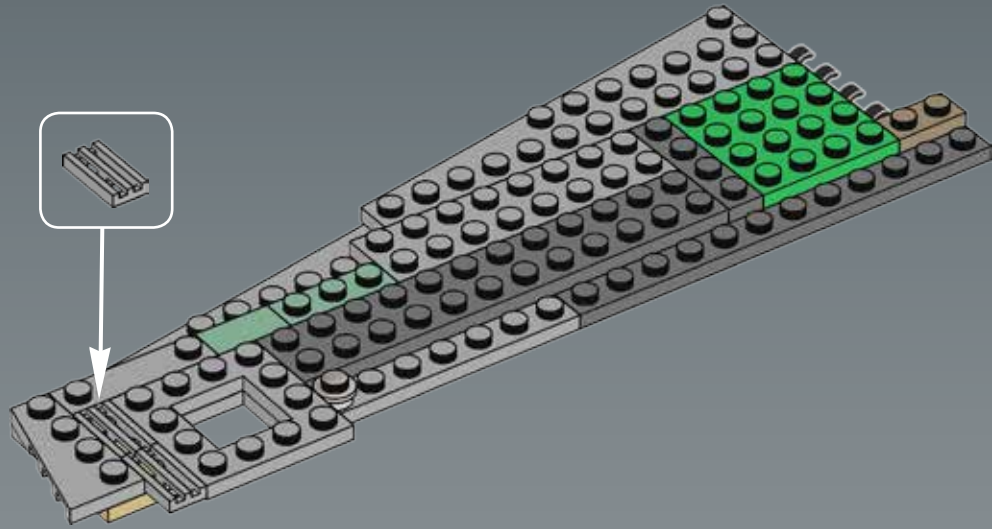


8

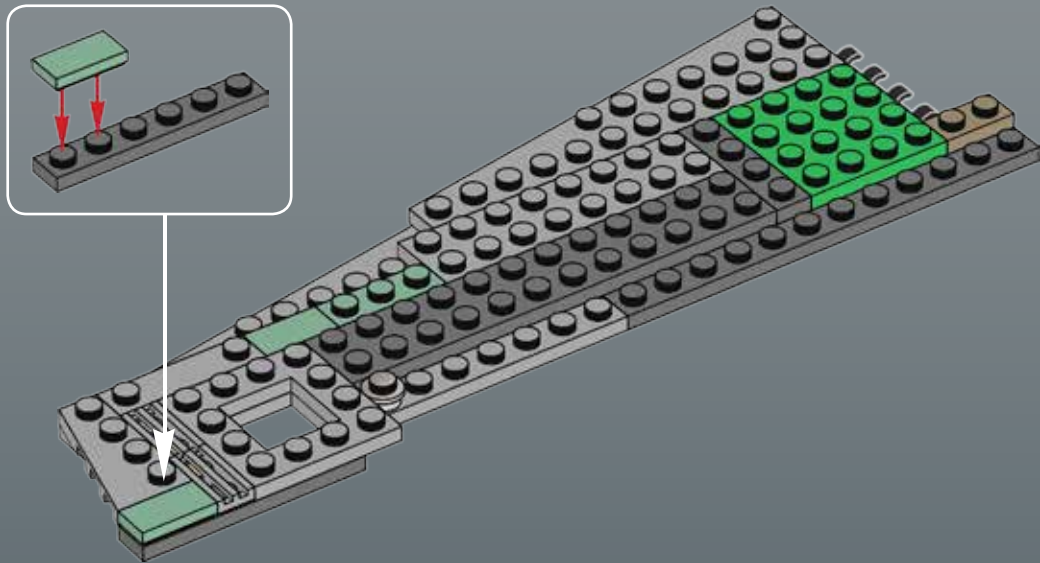


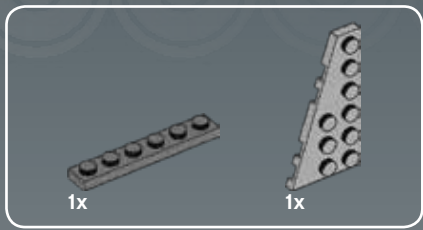


9

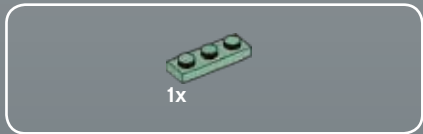
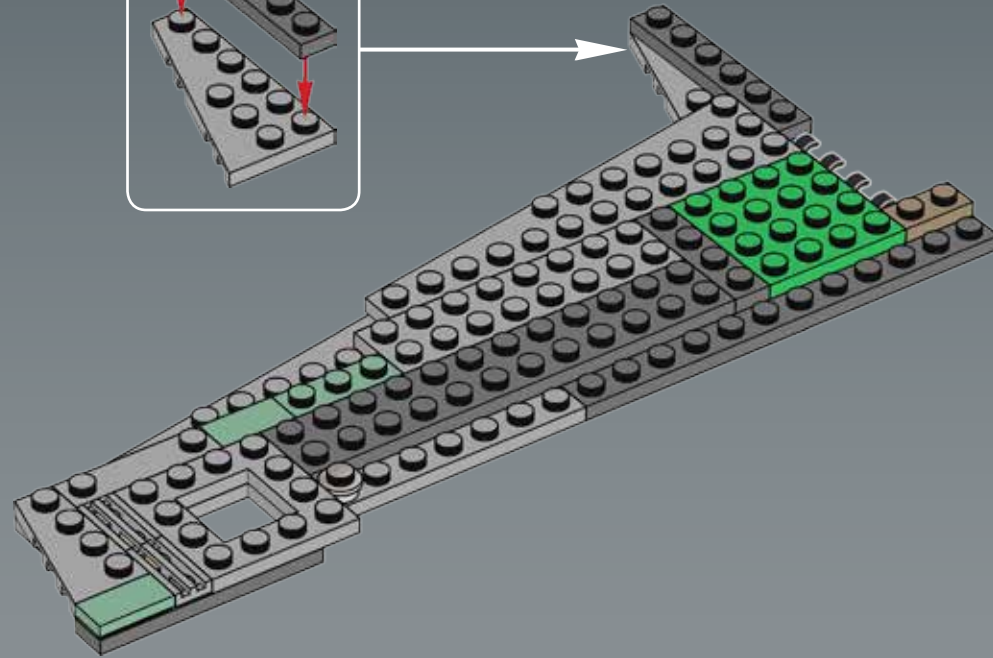
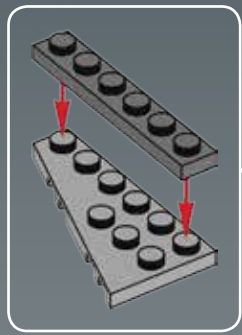


10

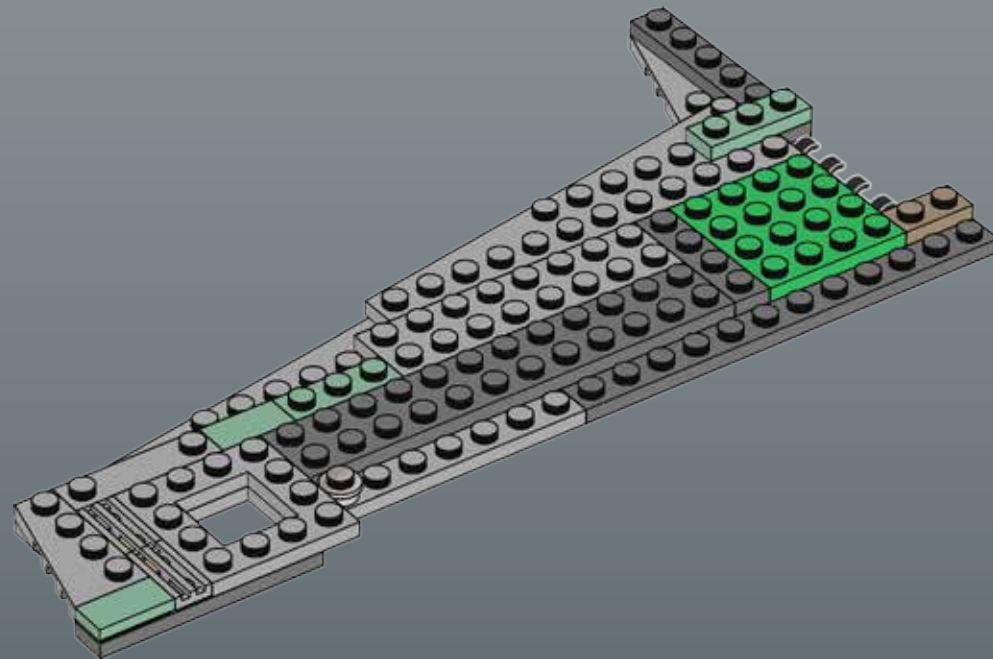


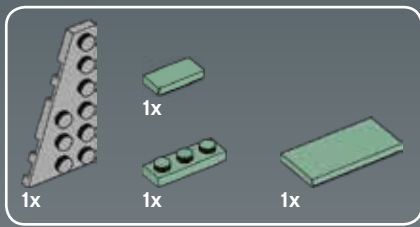


11

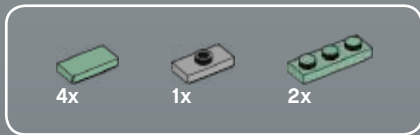
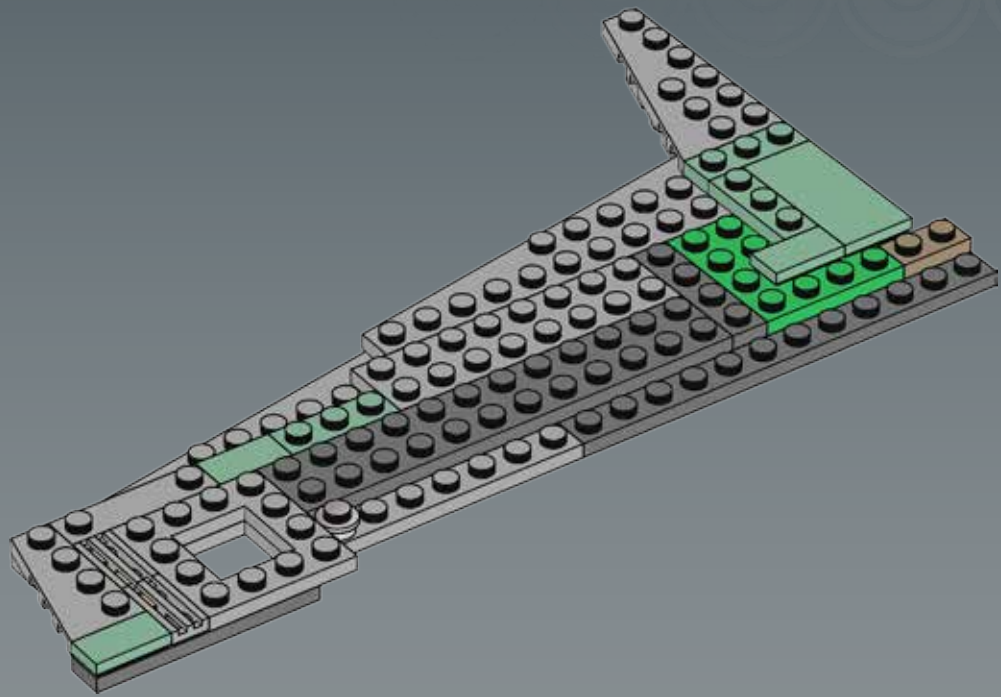


12

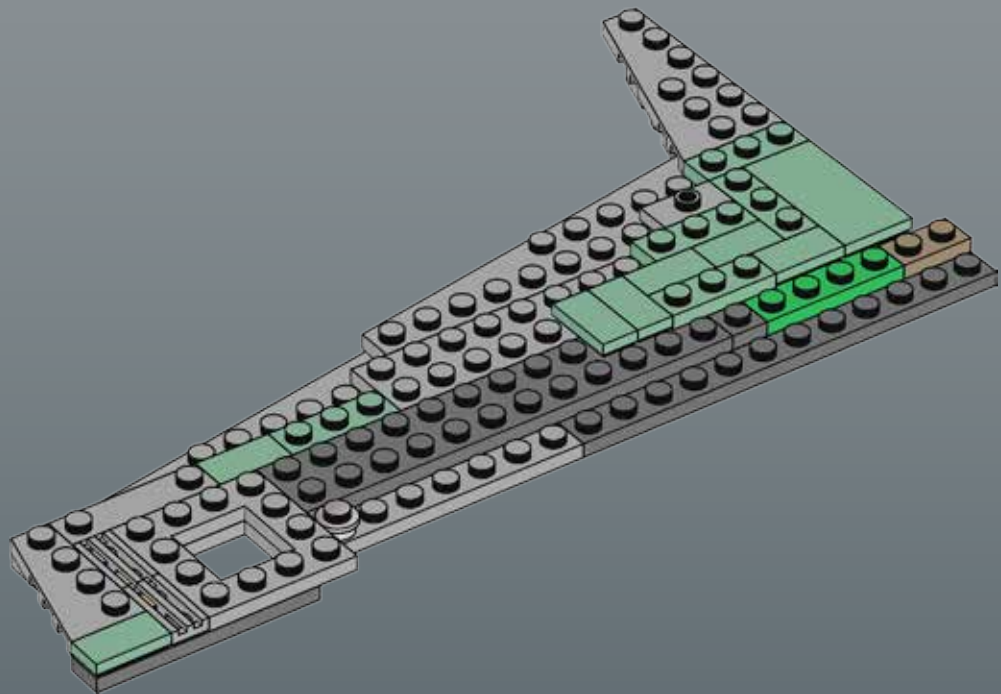




13

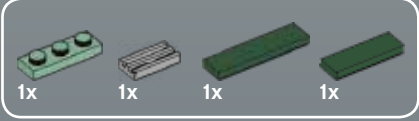
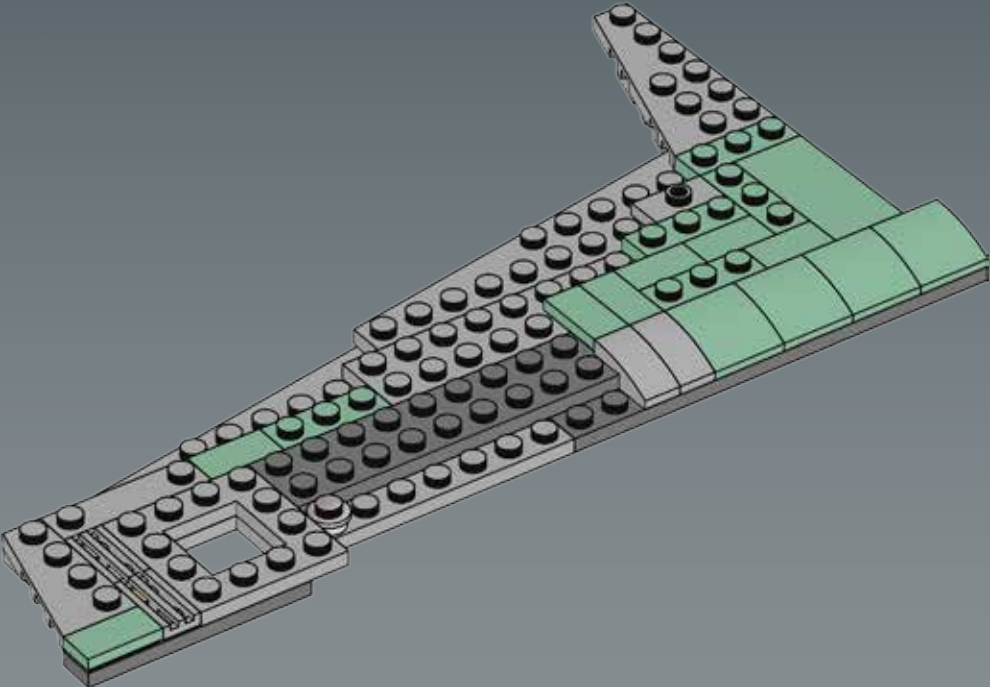


14

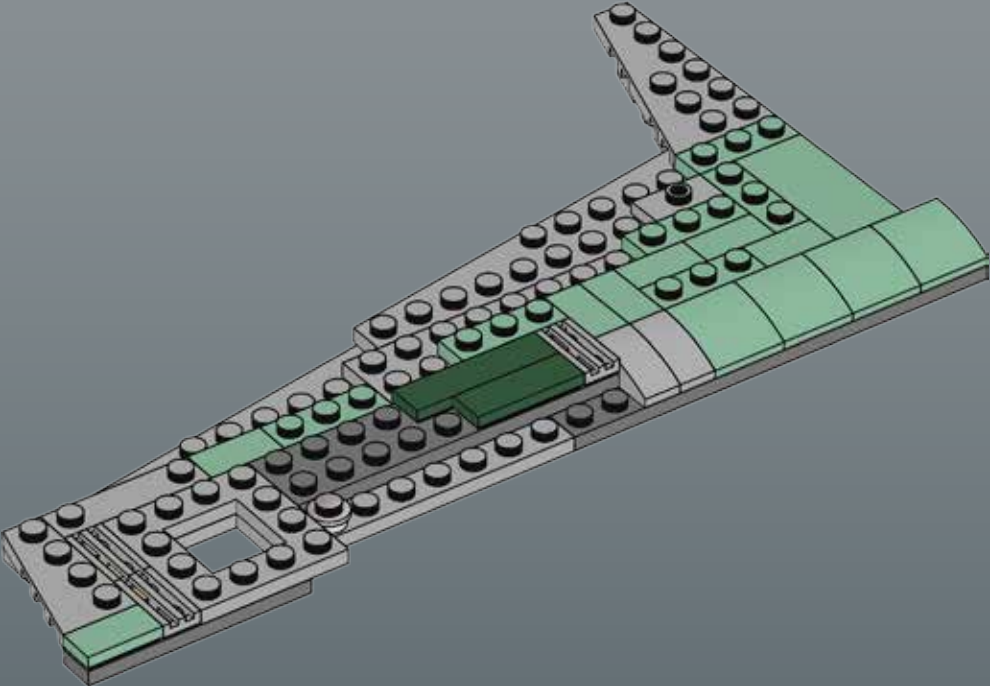




15

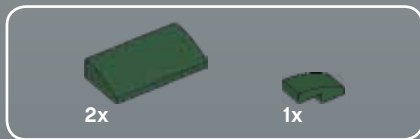
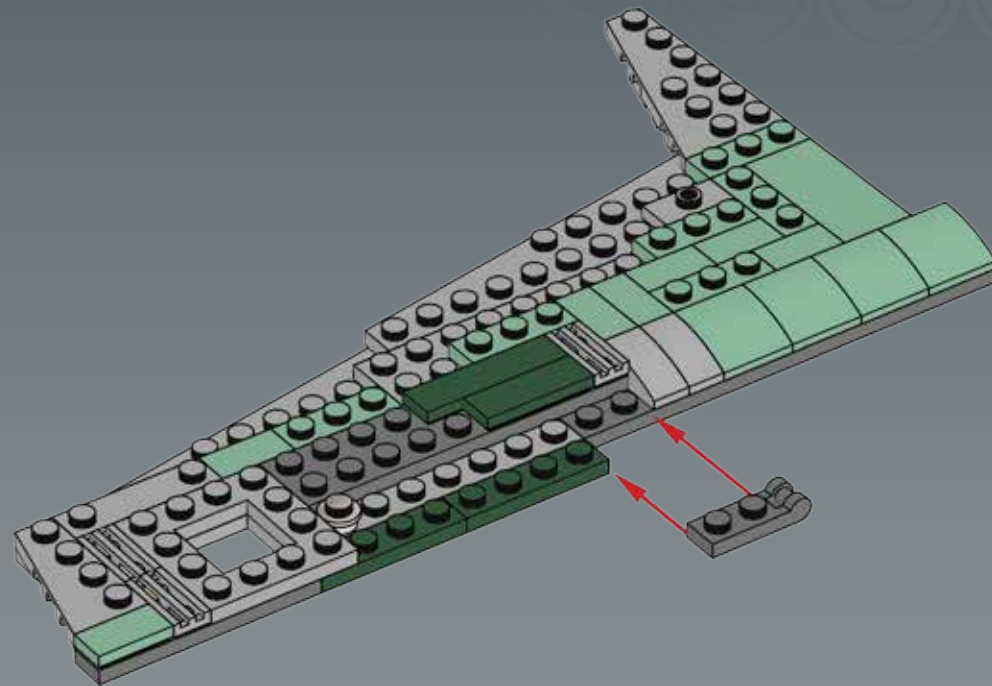


16

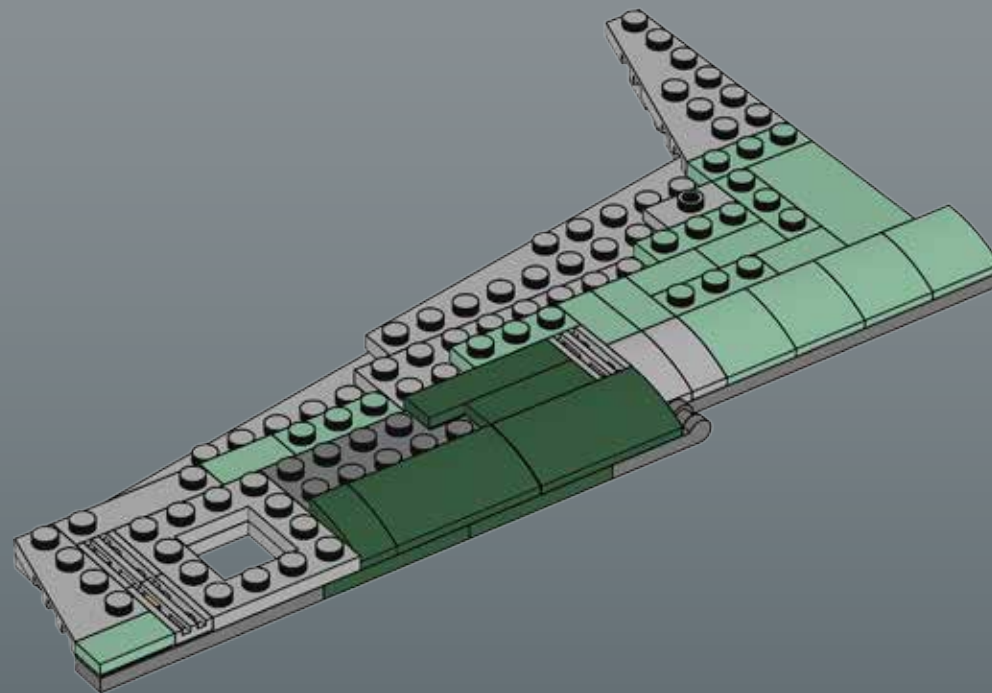


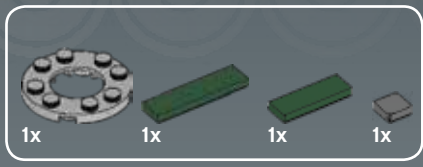


17

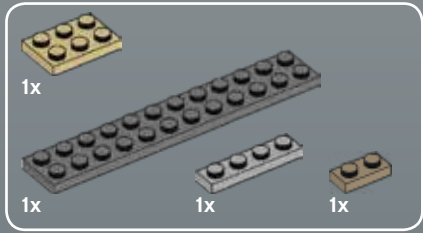
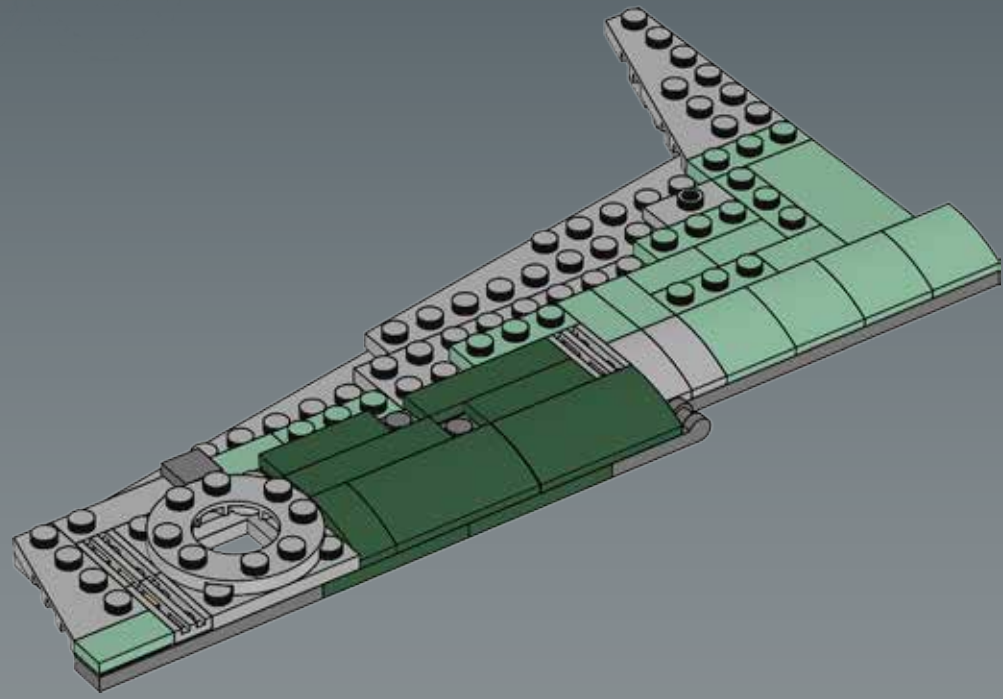


18

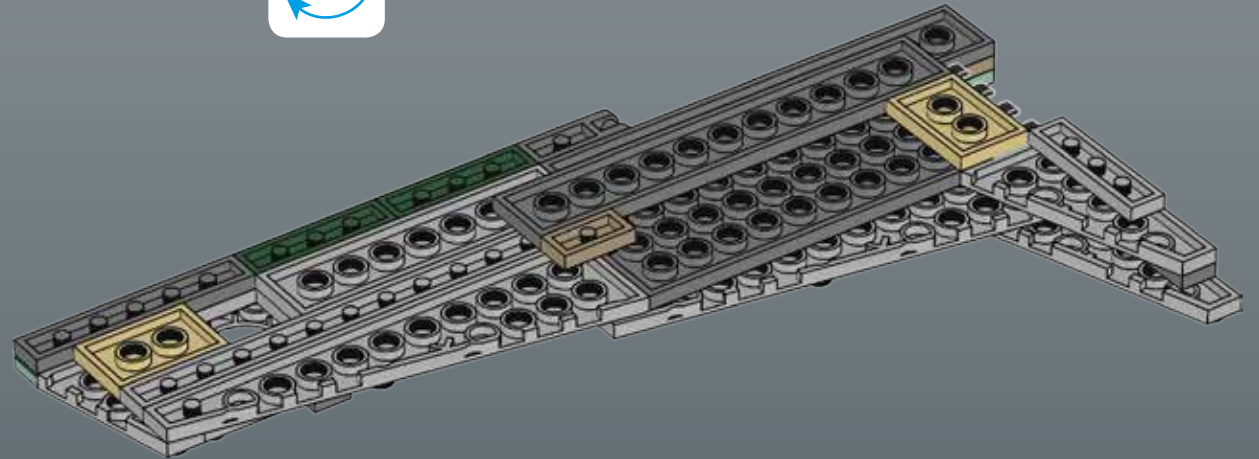




19

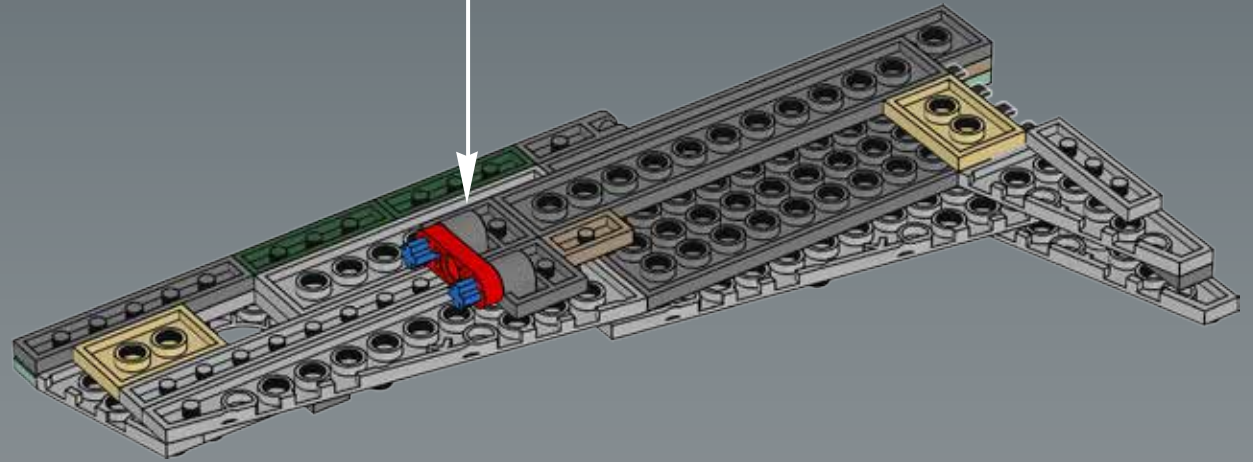
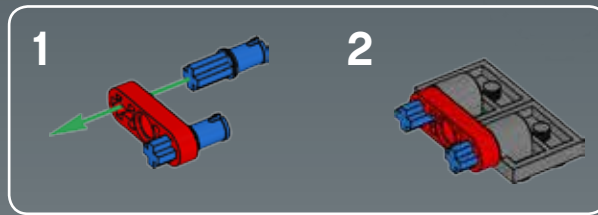


20

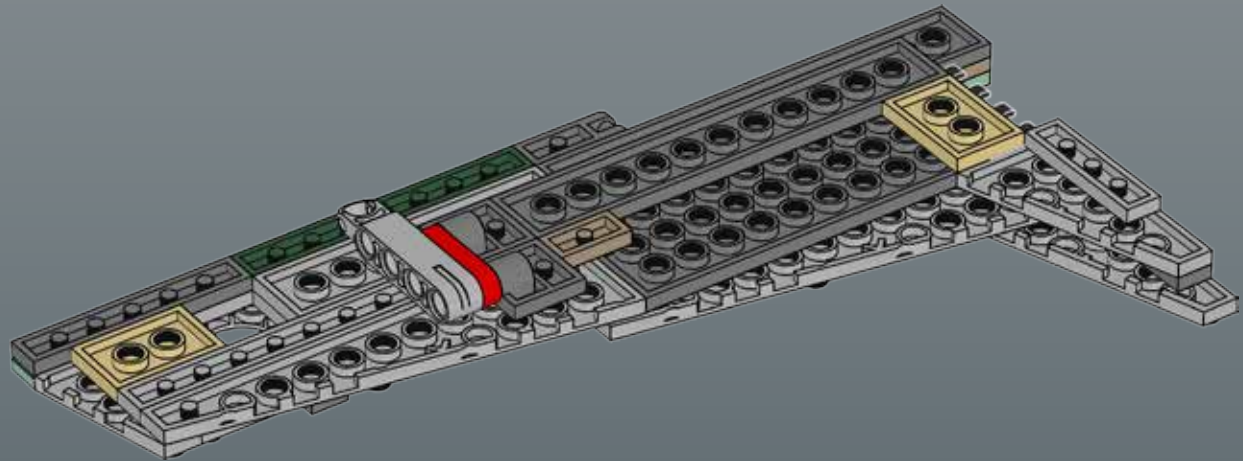




21

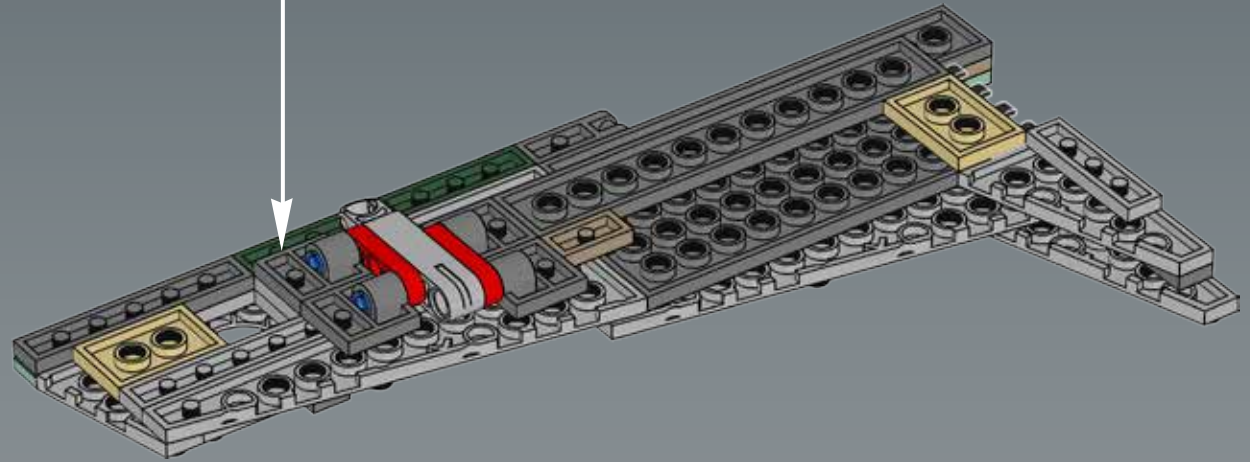
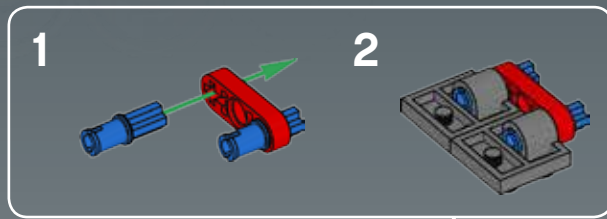


22

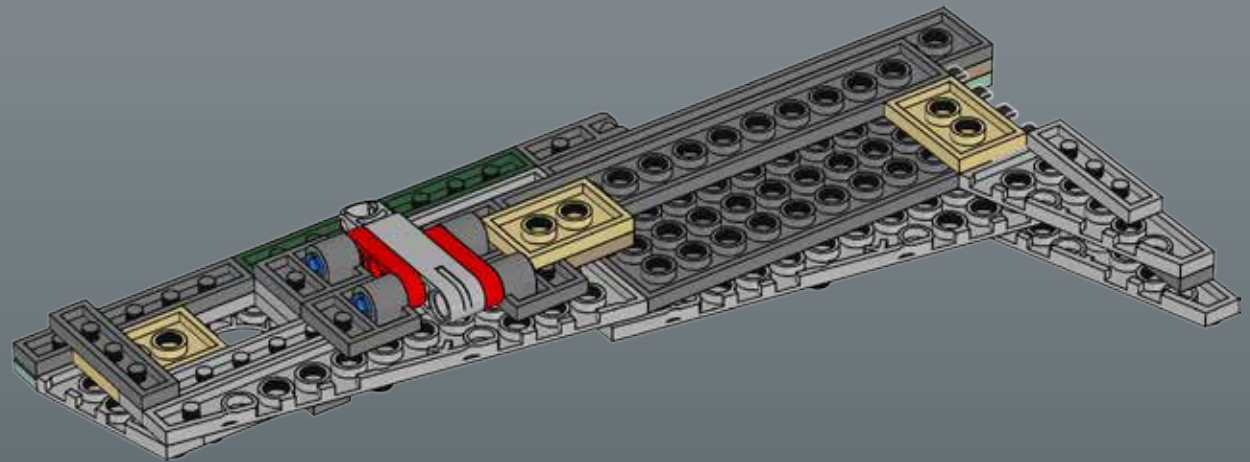




23

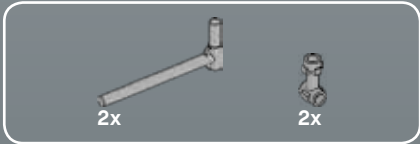
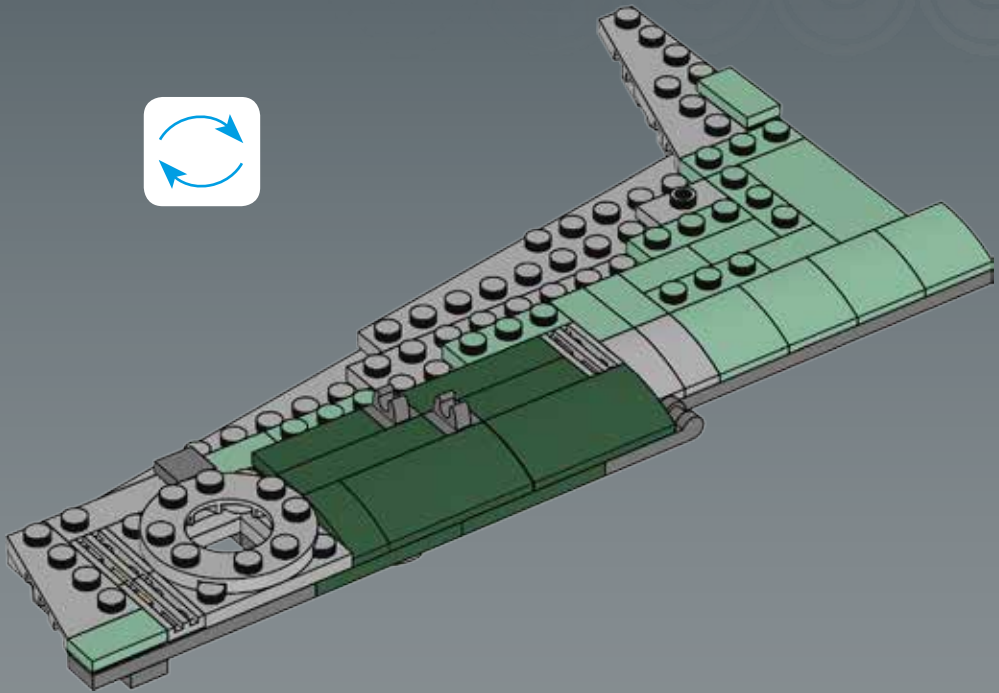


24

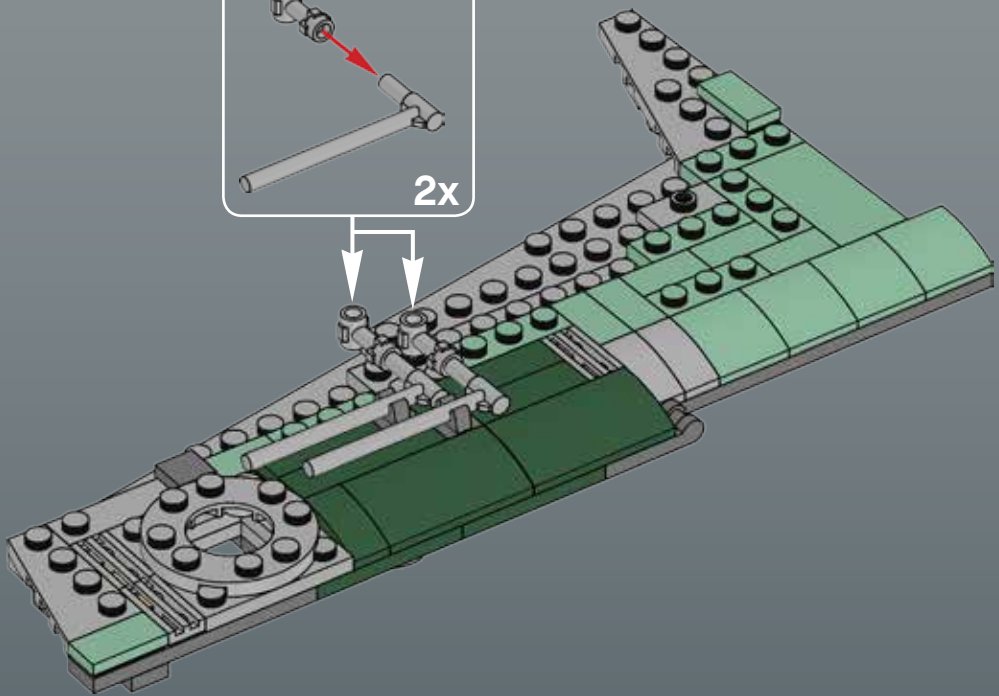
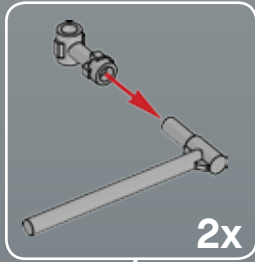




25



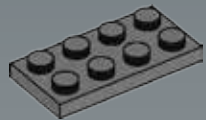
26





1x

1



2x

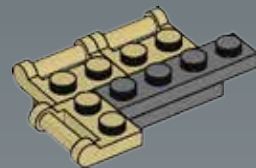
2



1x

1x

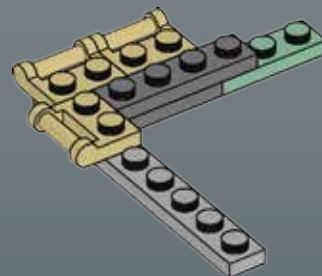
3



1x

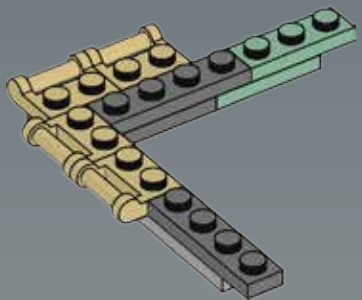
1x

4

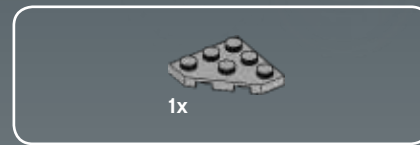
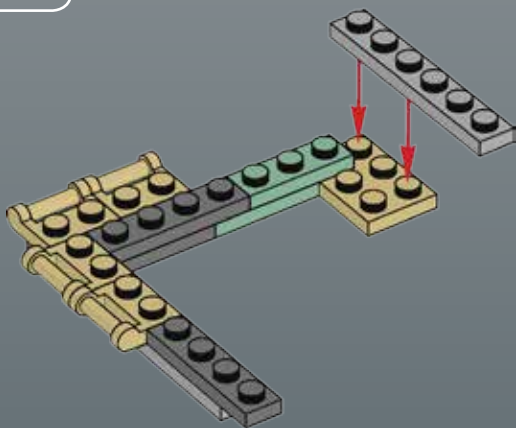




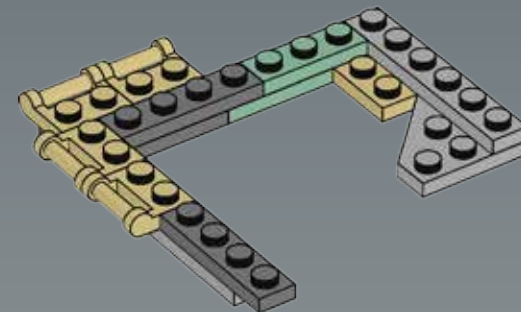
5



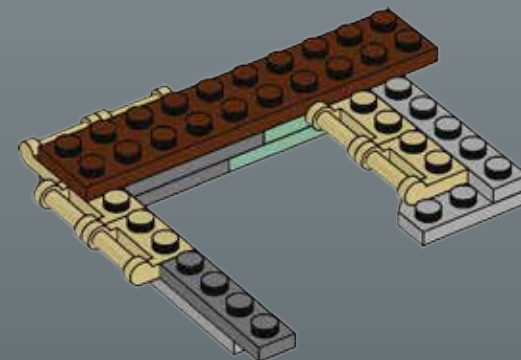
6

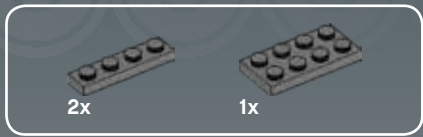


7

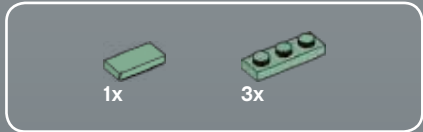
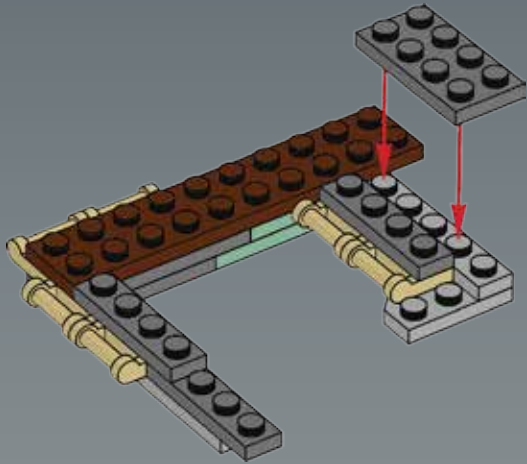


8

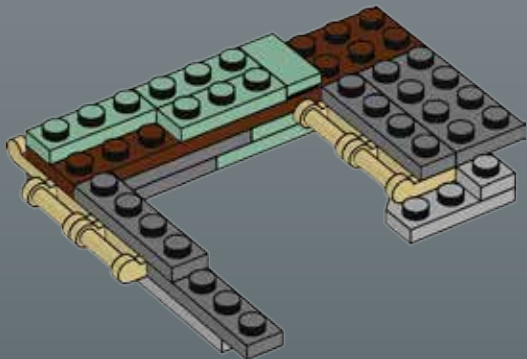




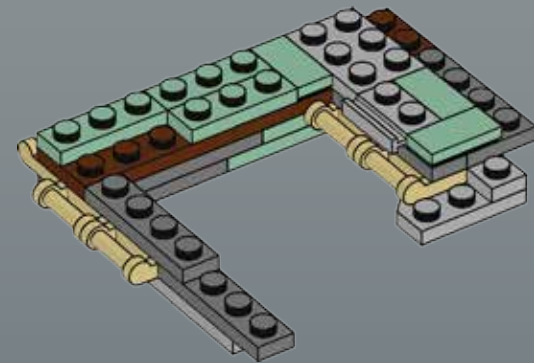
9

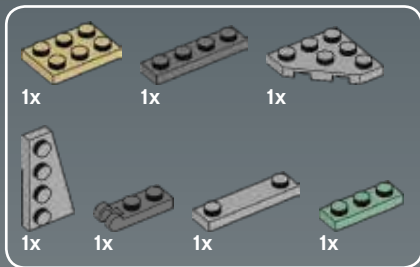


10

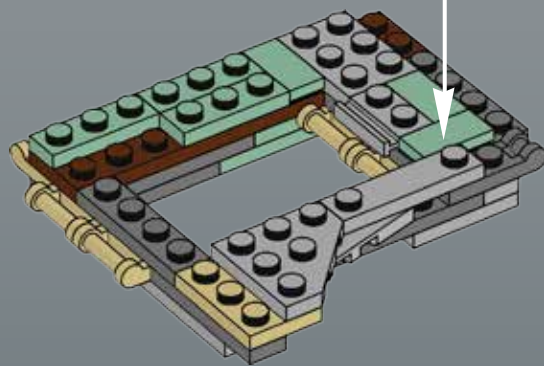
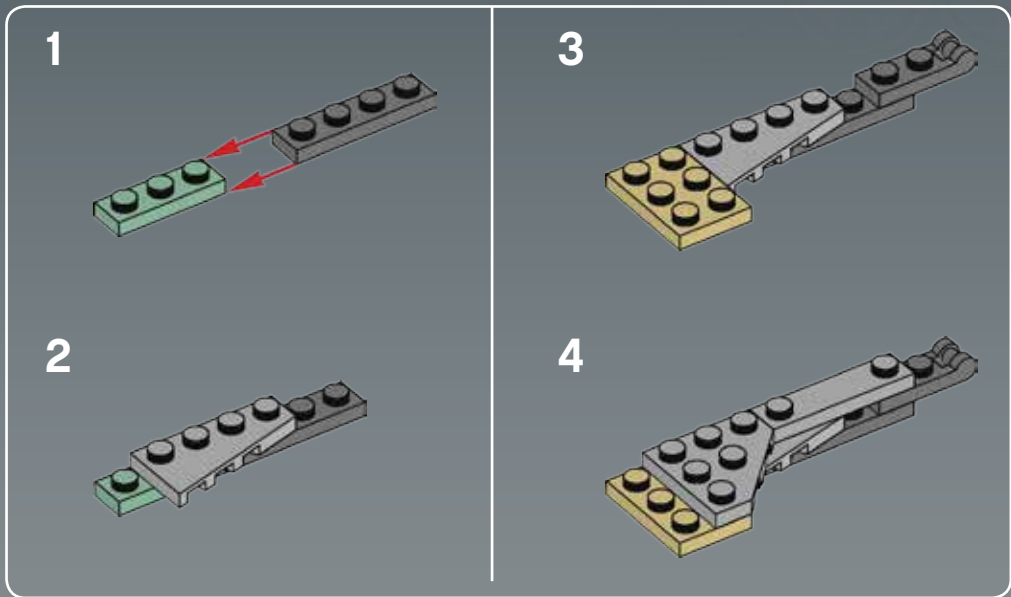


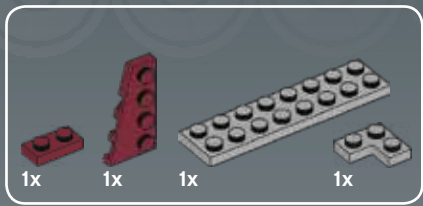
11



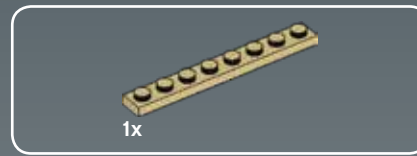
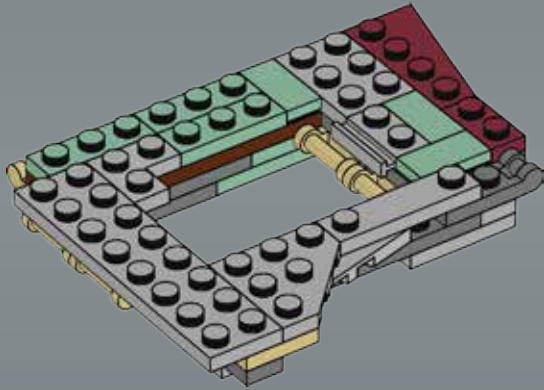


12

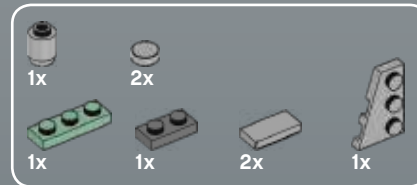
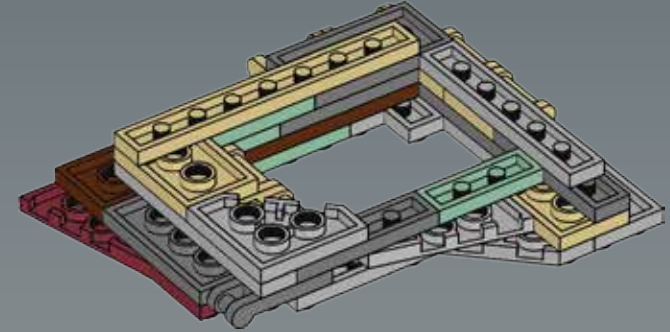




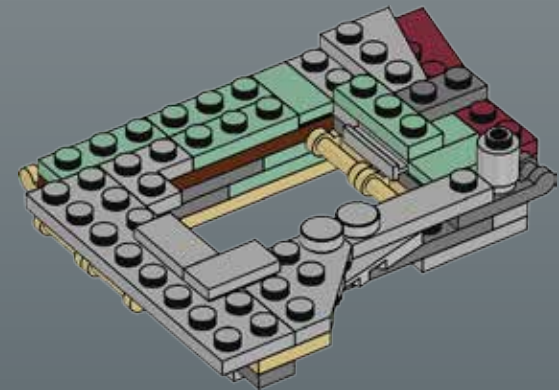
13

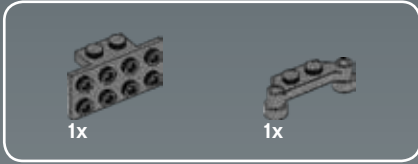


14

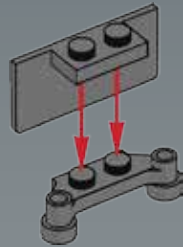


15

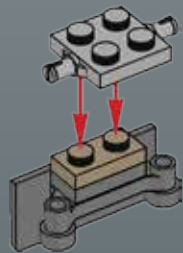




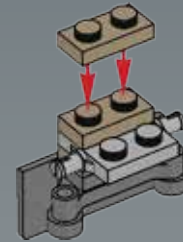
1



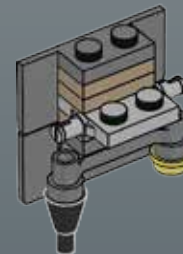
2

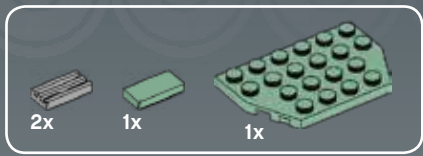


3

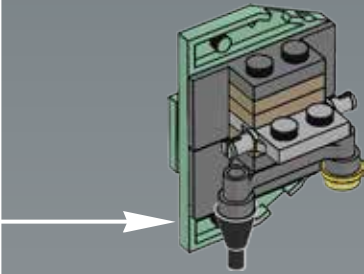
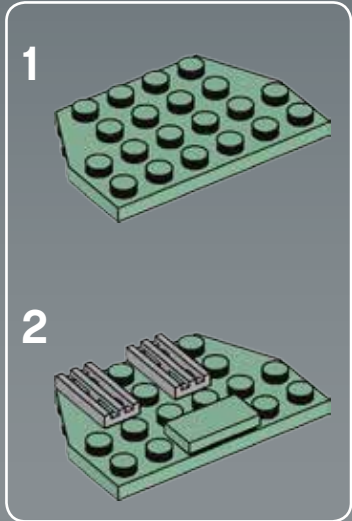


4

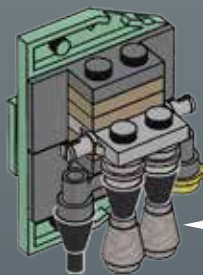
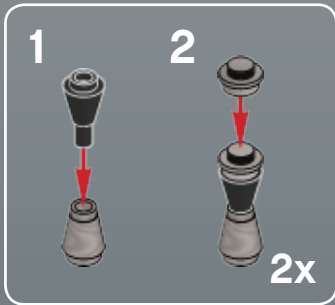




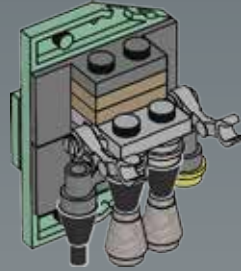
5



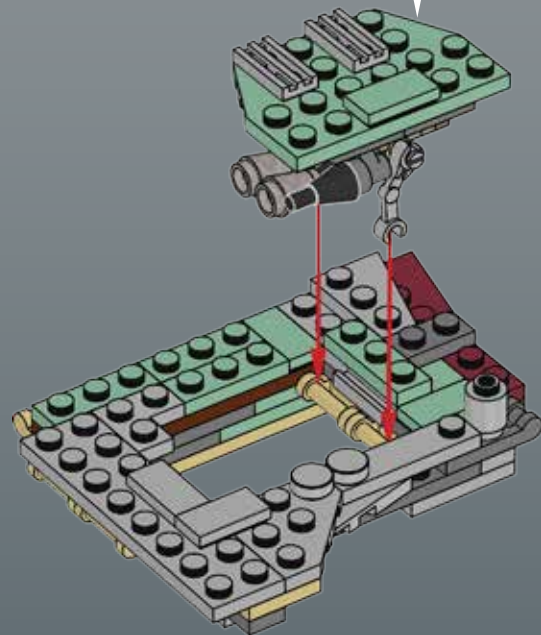
6



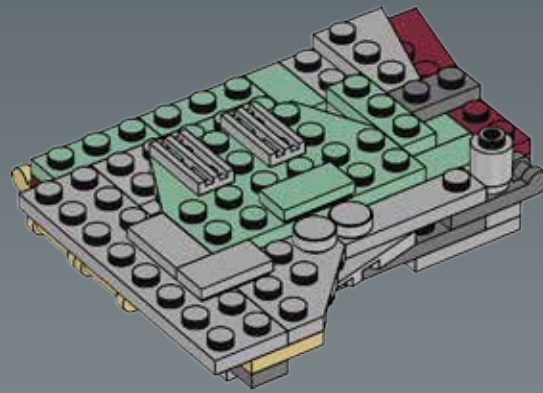
7



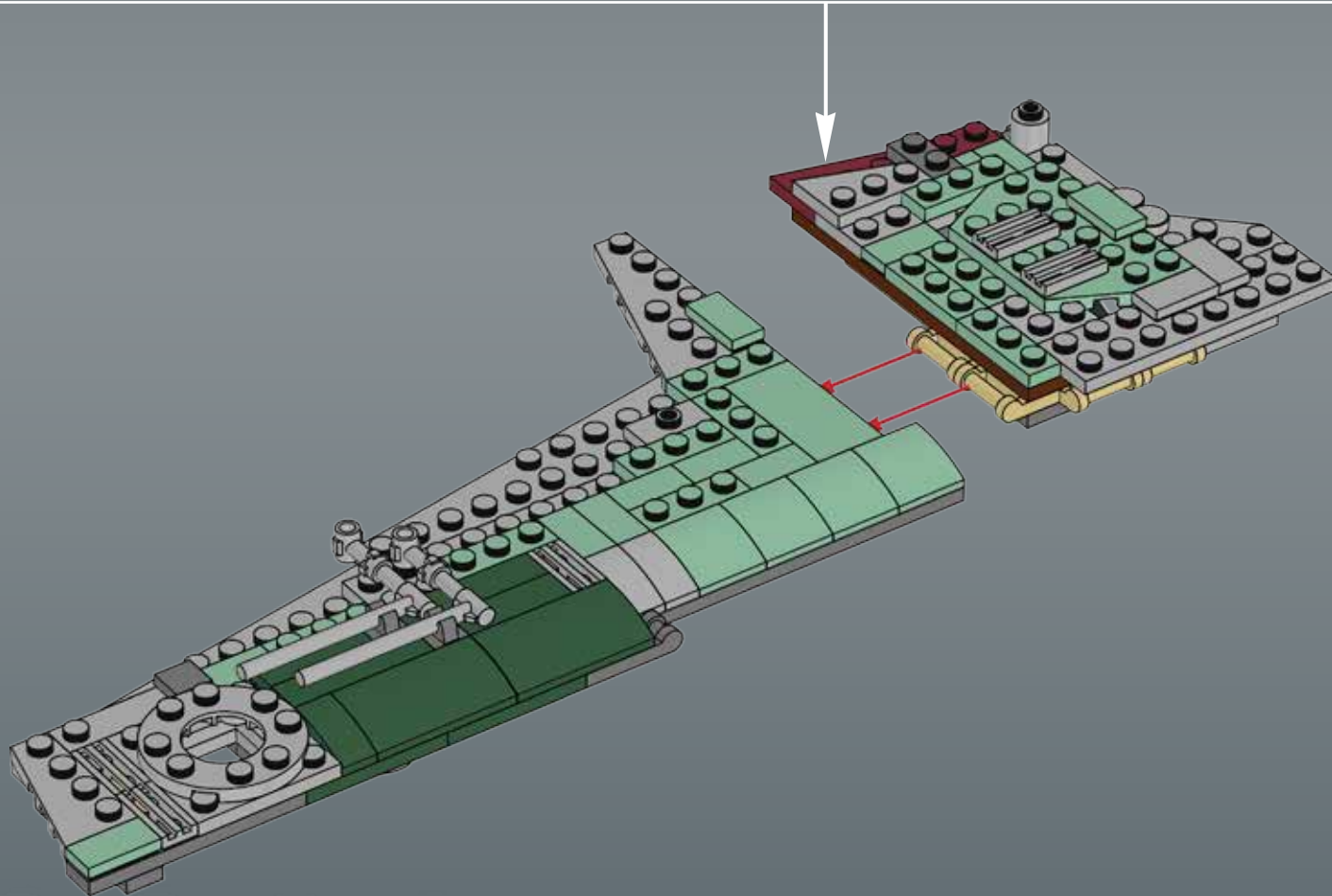
16



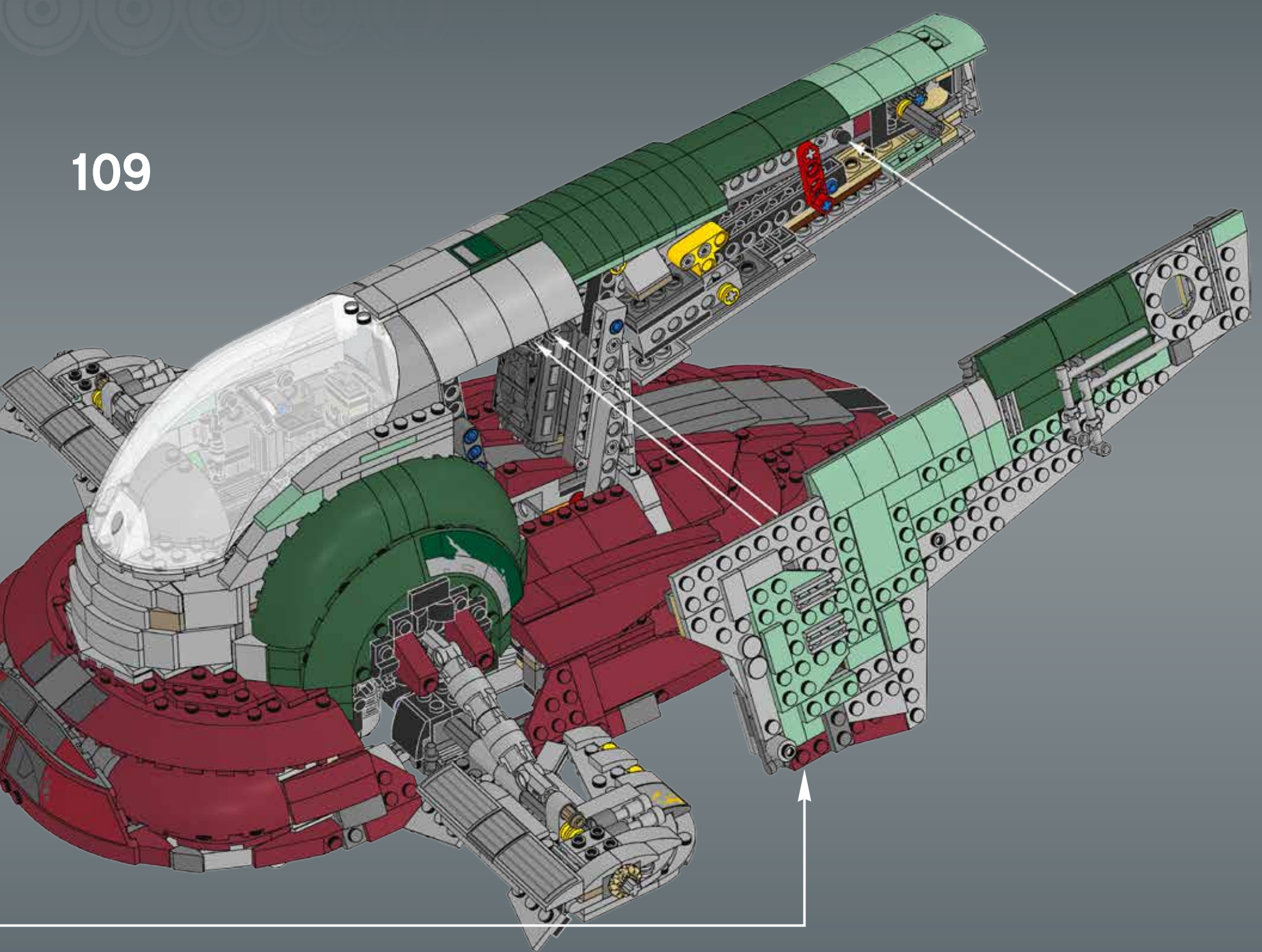
17

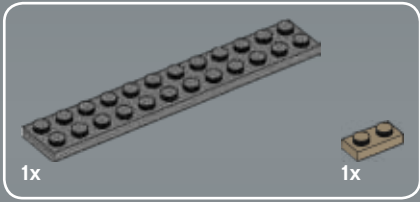
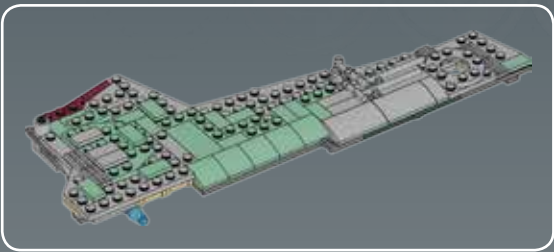
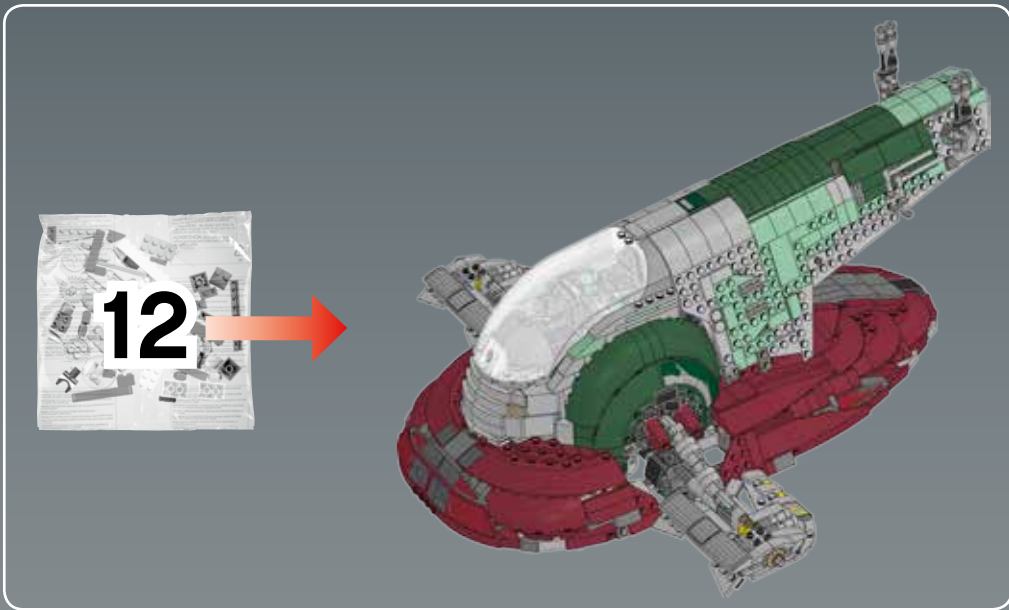


27

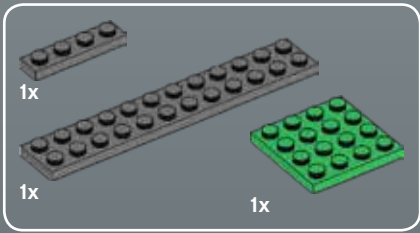
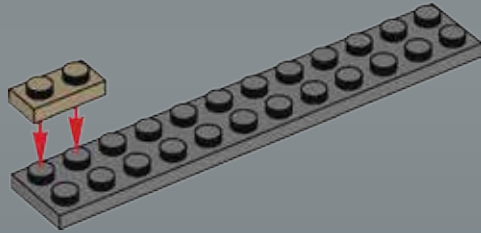


109

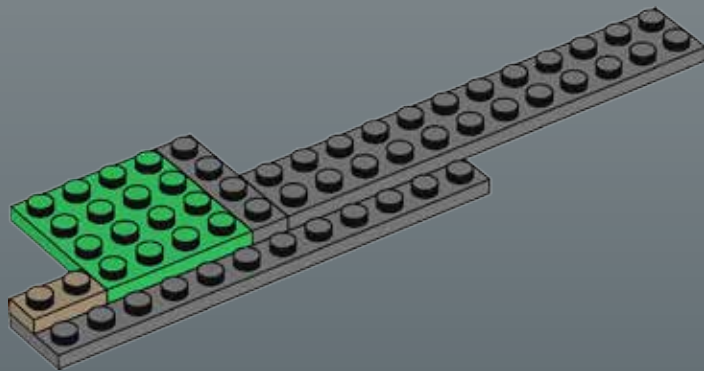




1



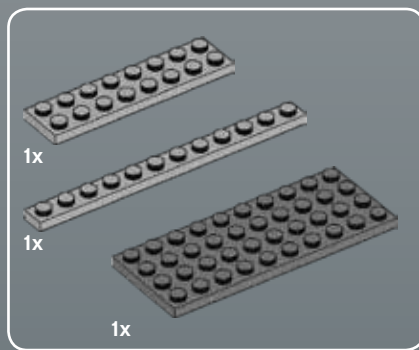
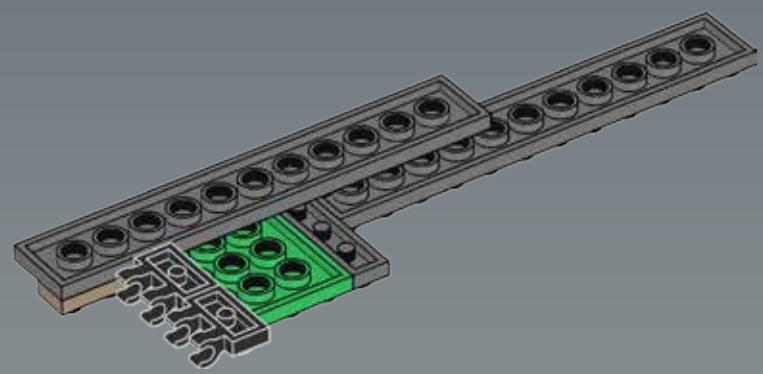
2





2x

3

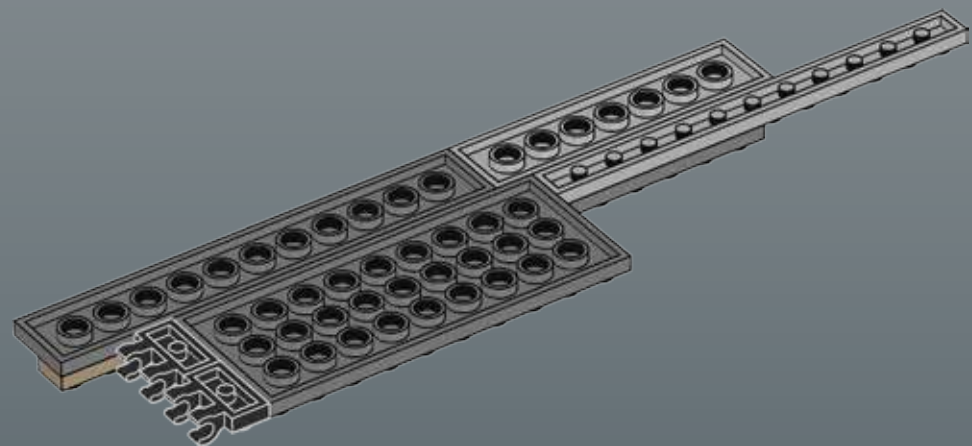


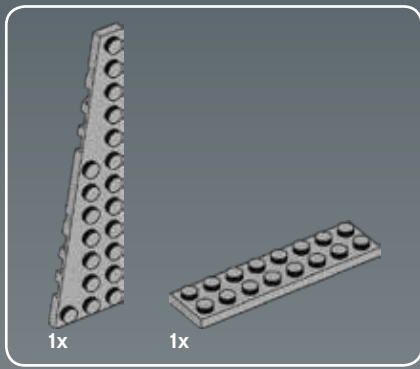
1x

1x

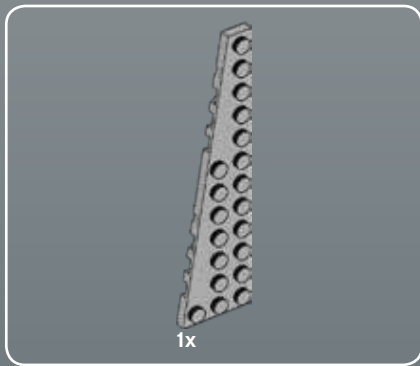
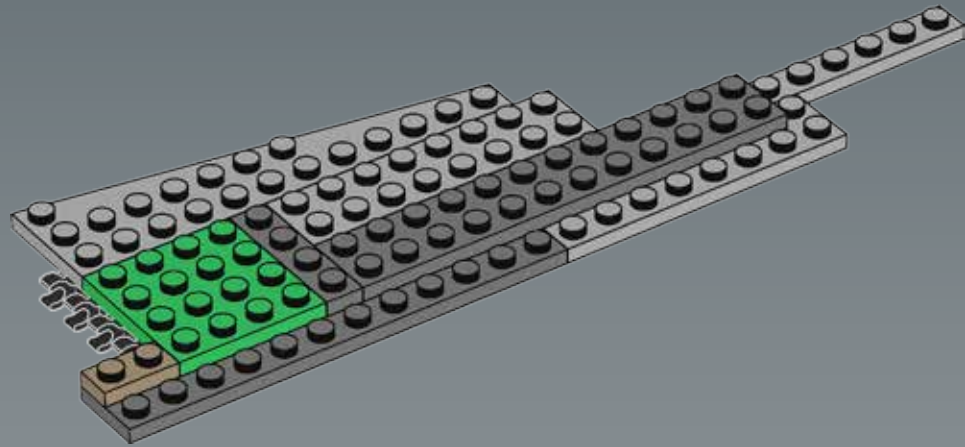
1x

4

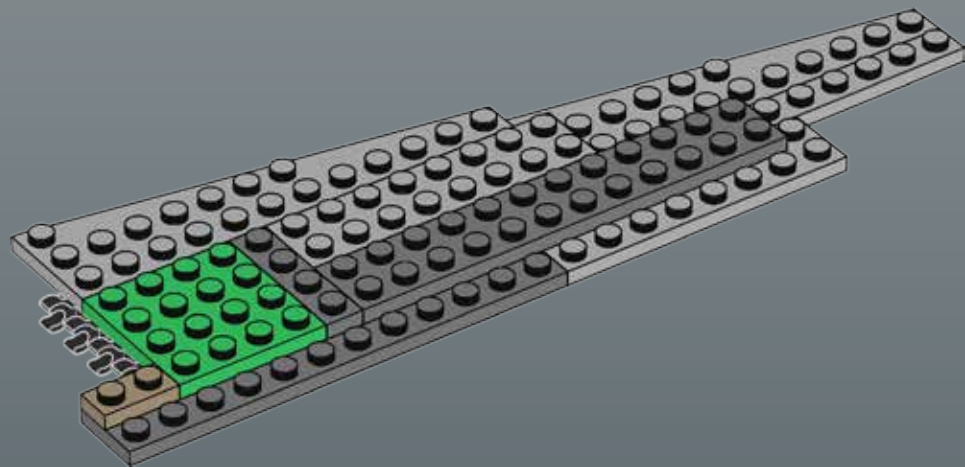


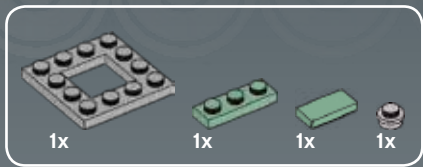


5

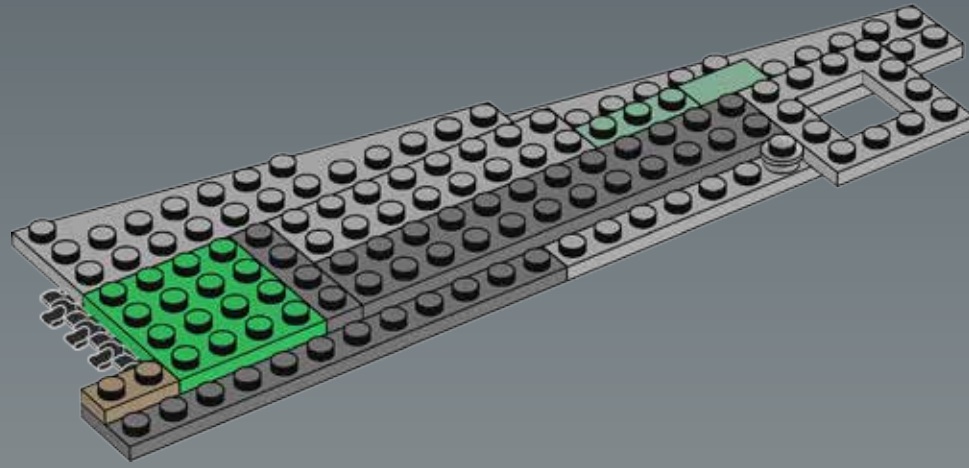


6

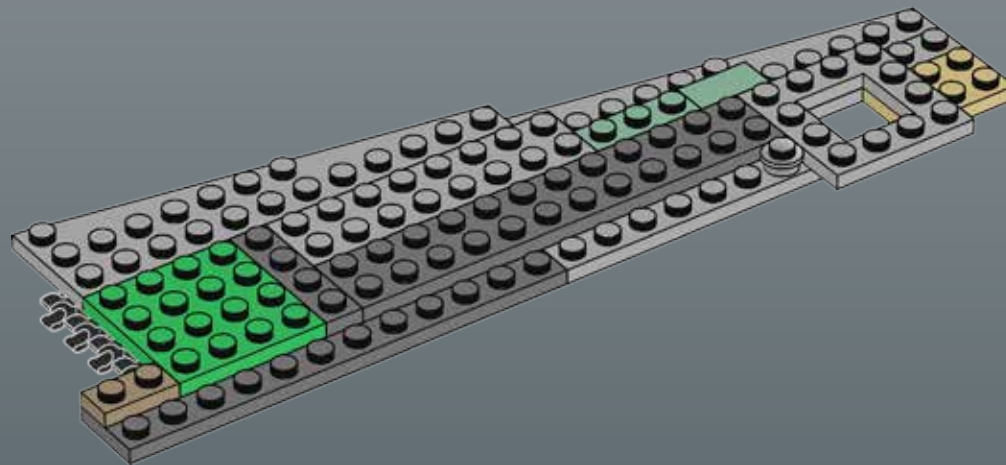


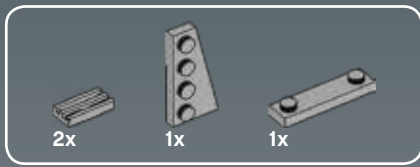


7

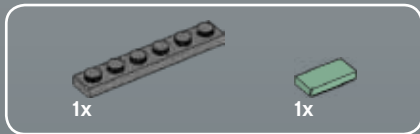
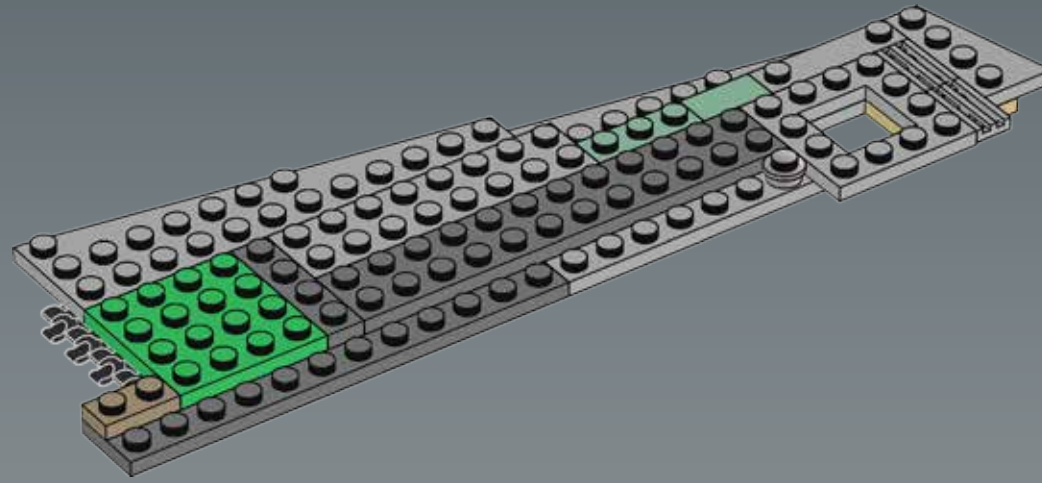


8

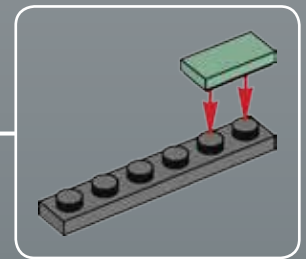
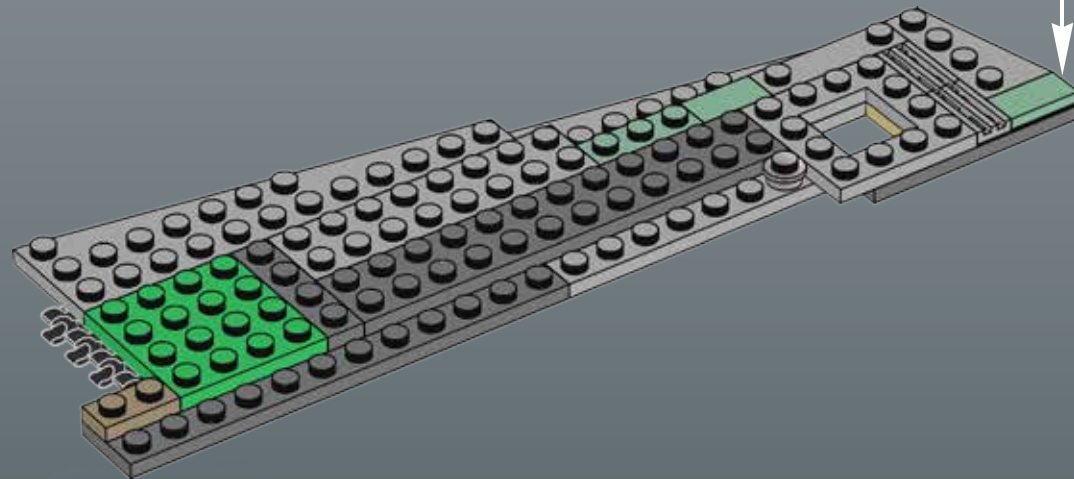


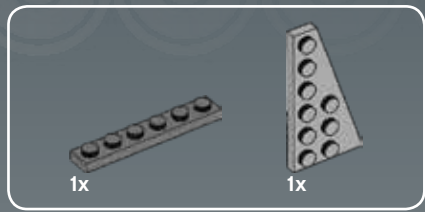


9

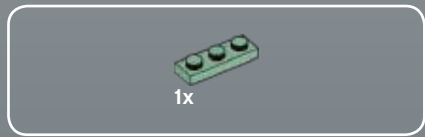
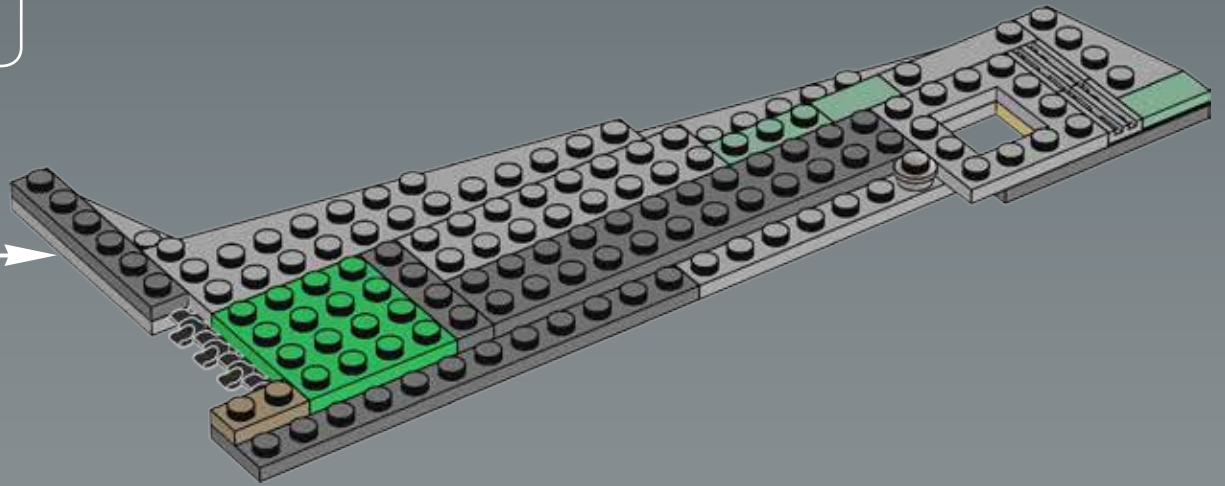
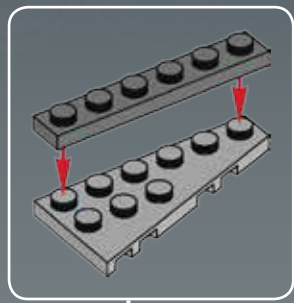


10

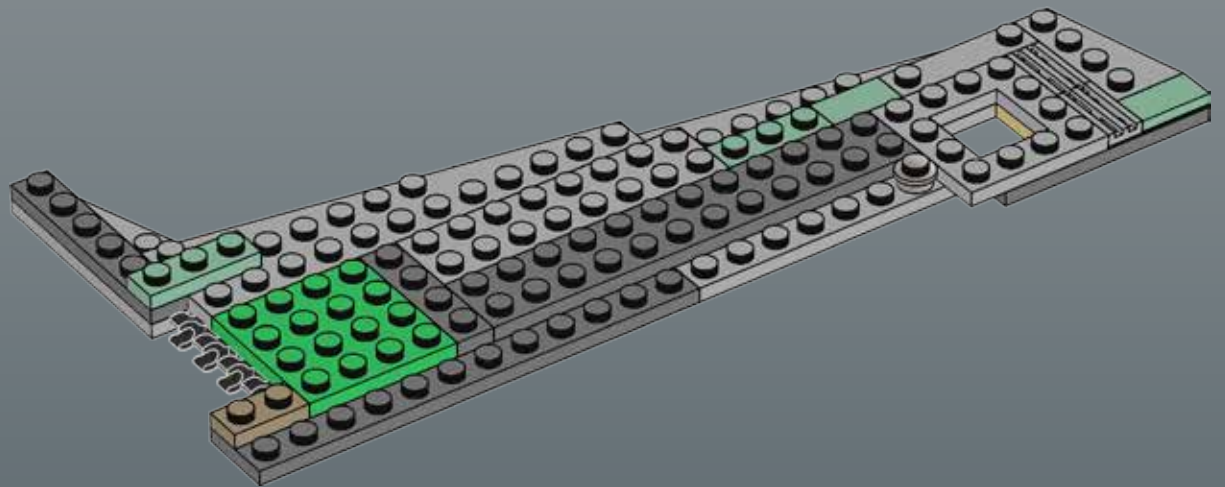


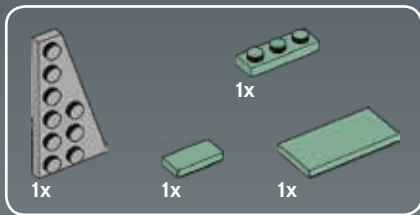


11

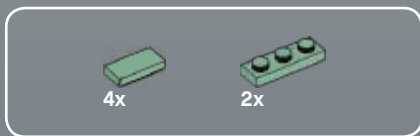
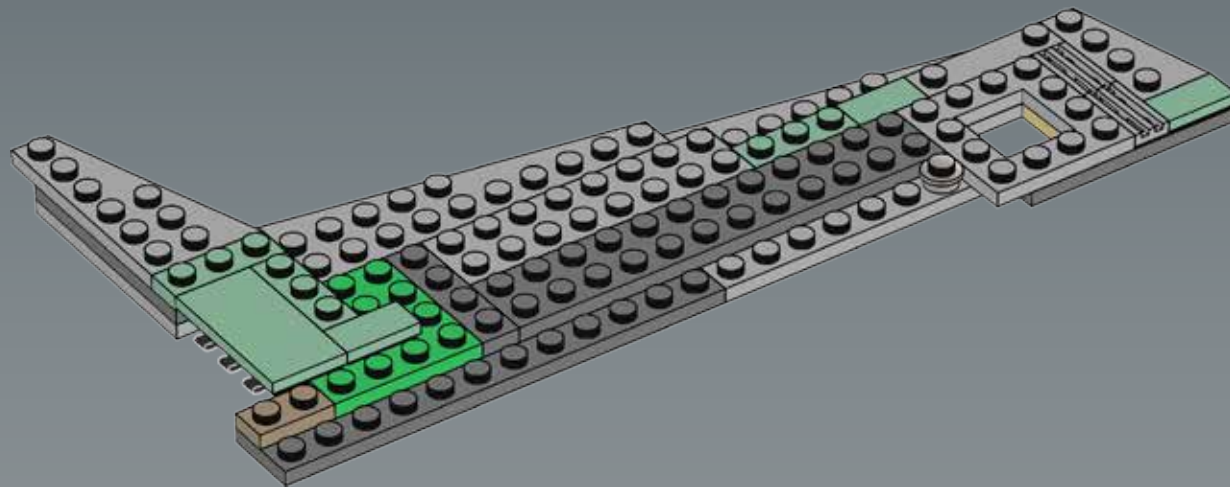


12

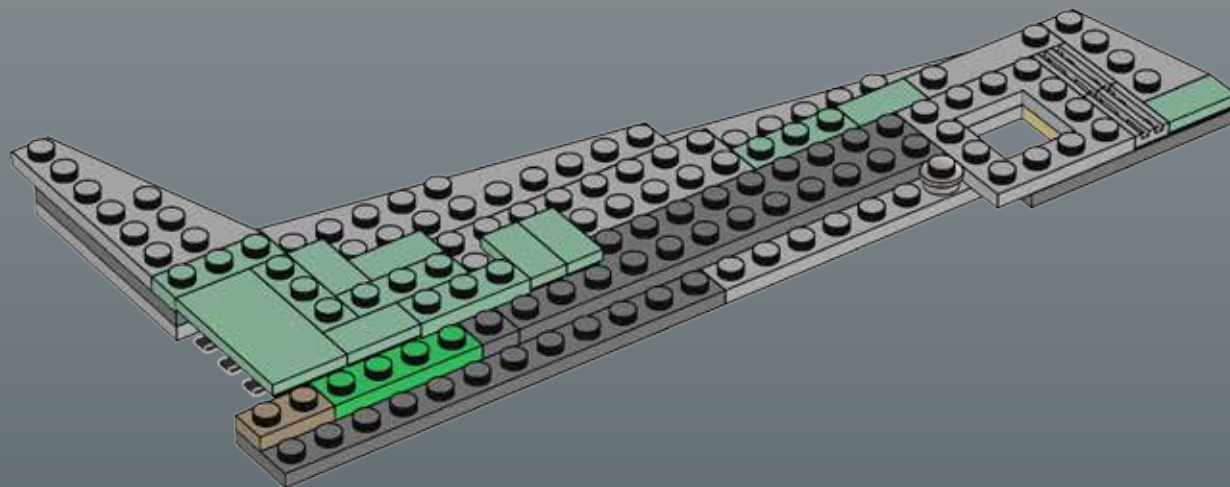




13

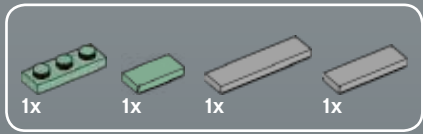
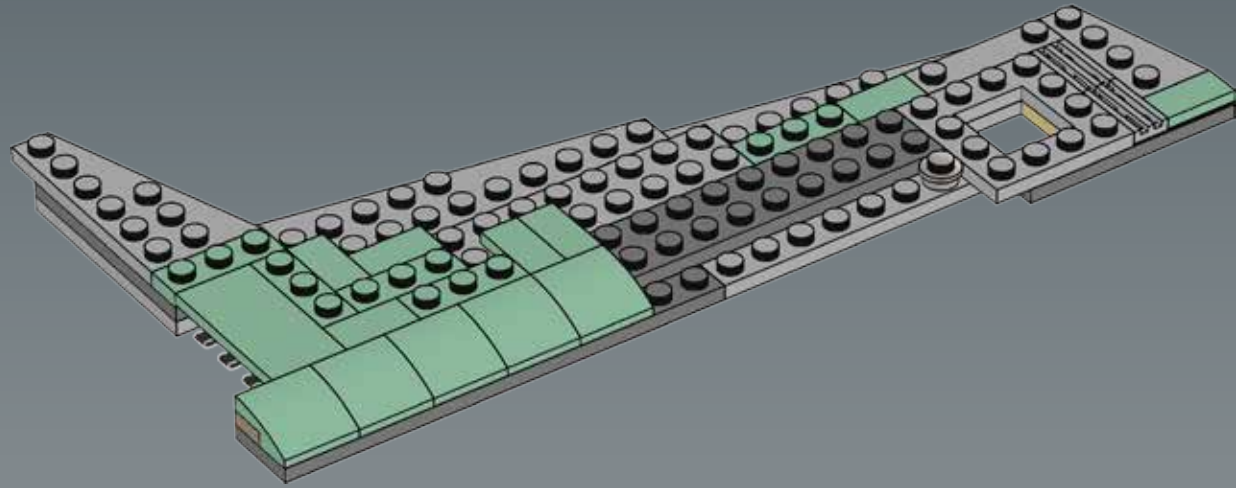


14

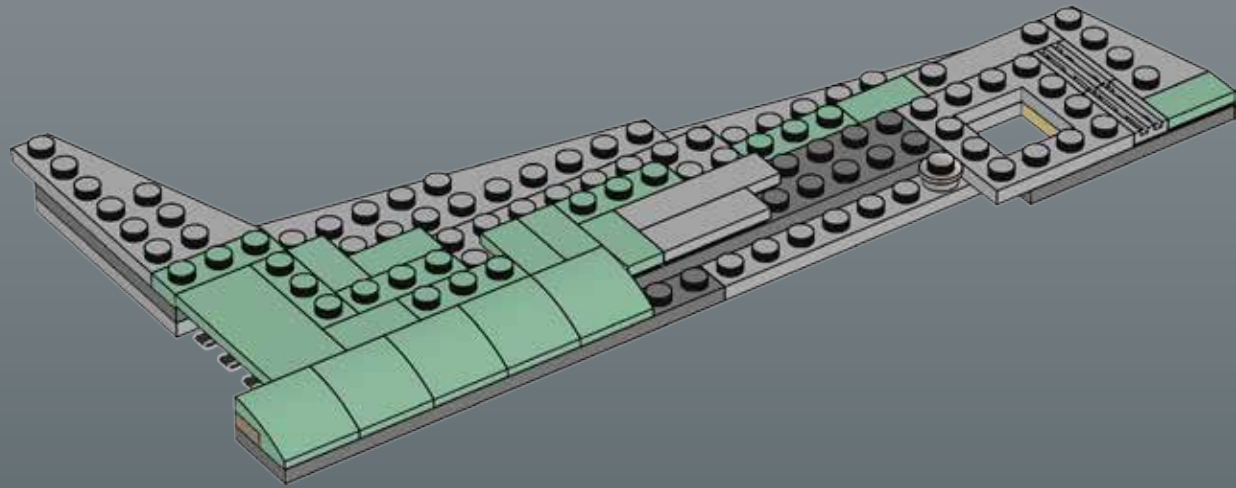


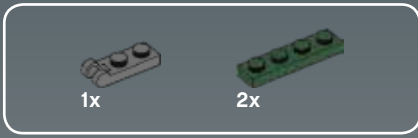


15

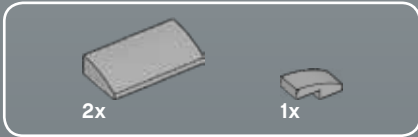
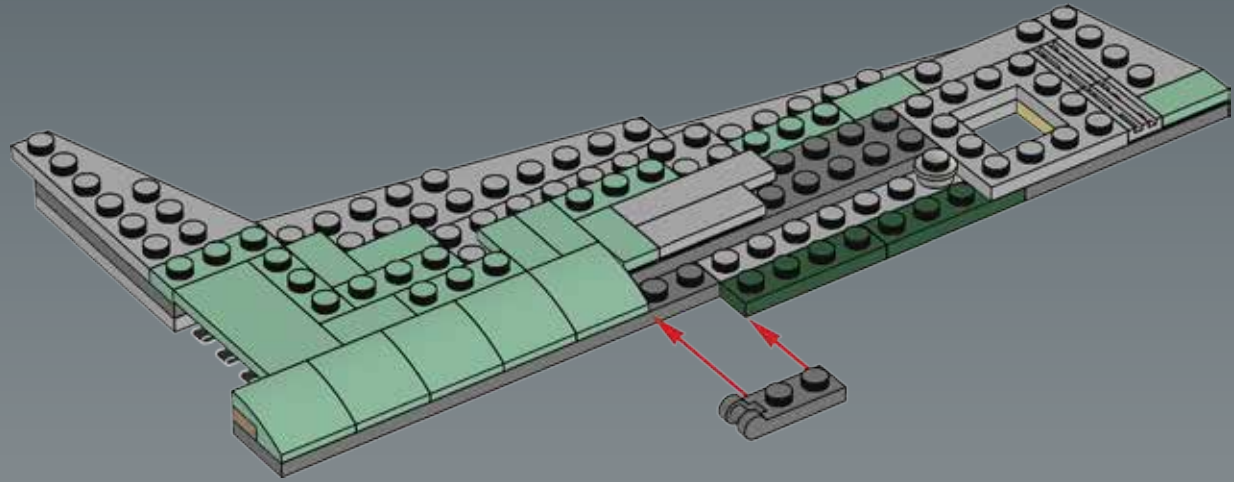


16

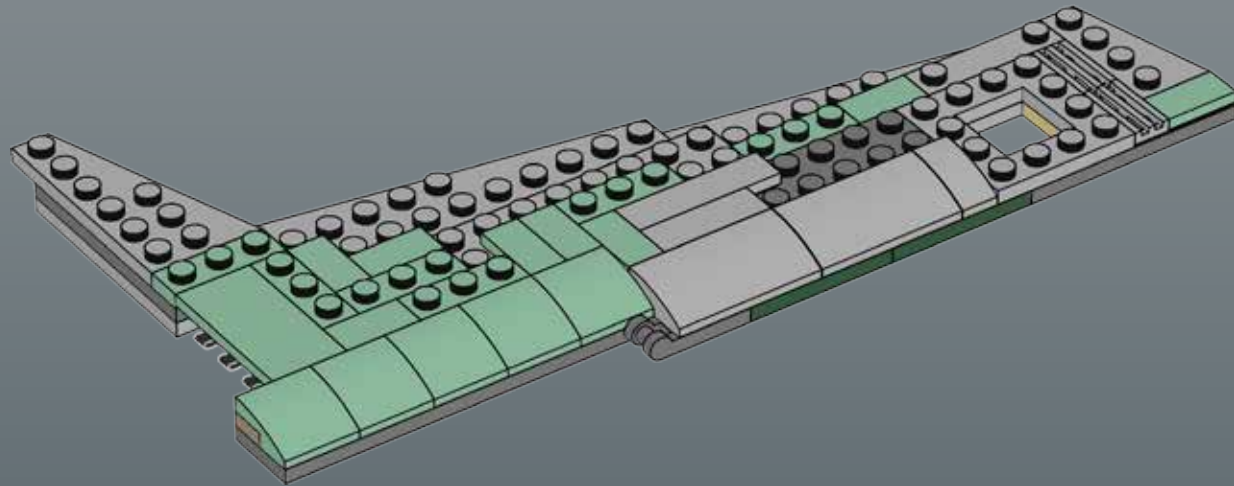


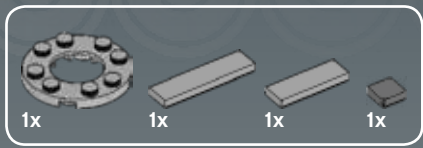


17

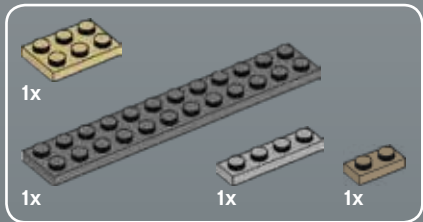
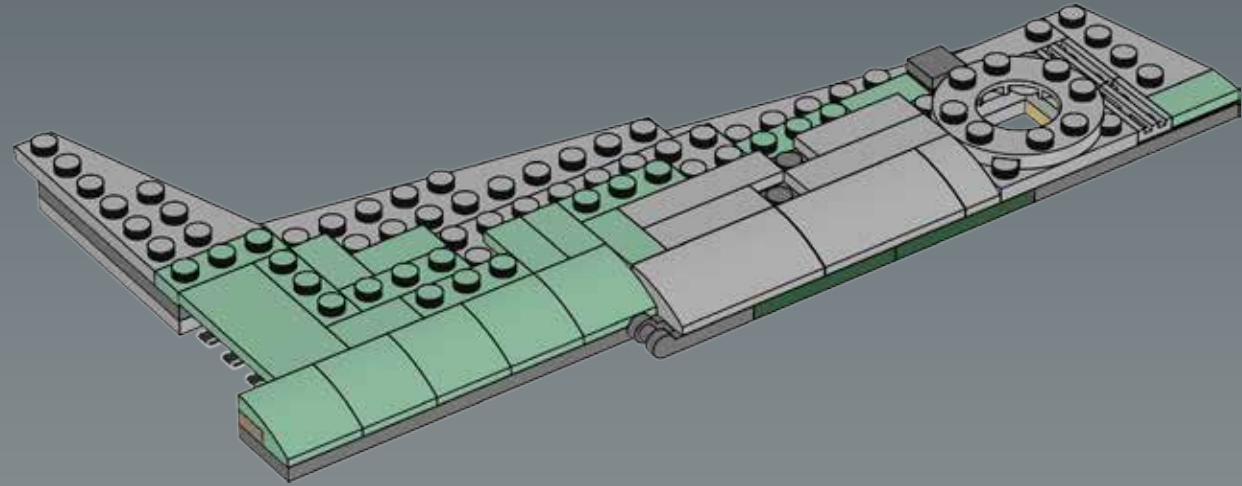


18

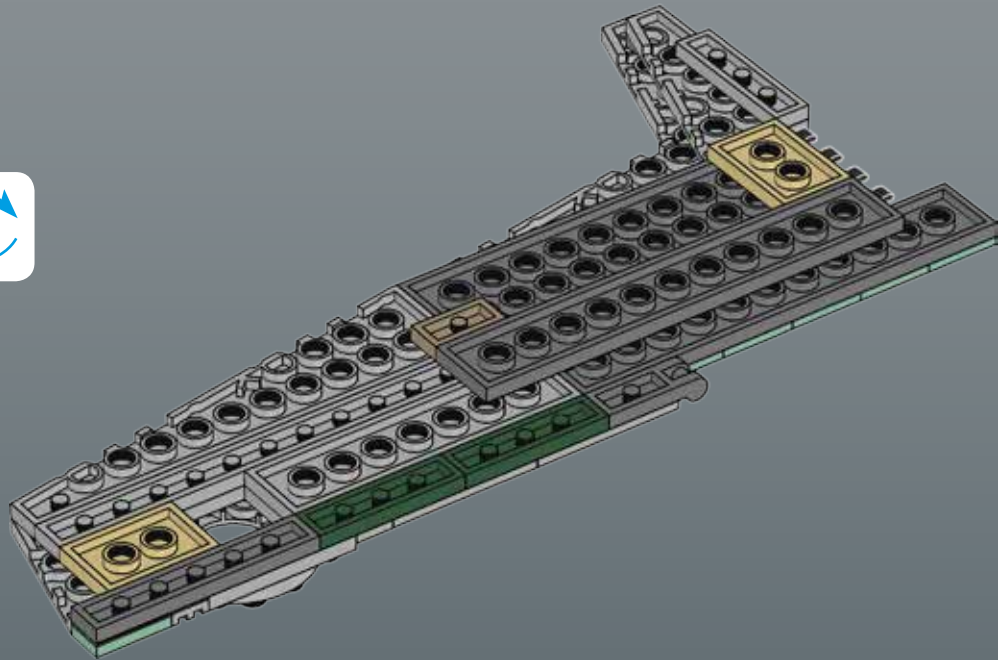




19

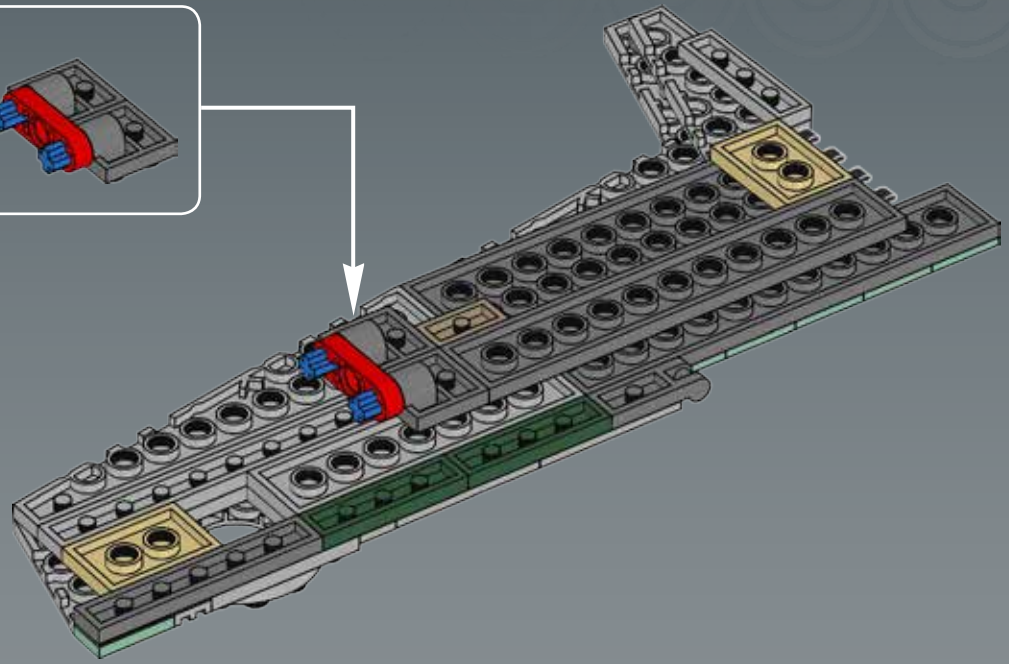
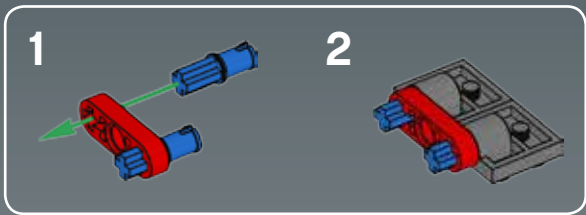


20

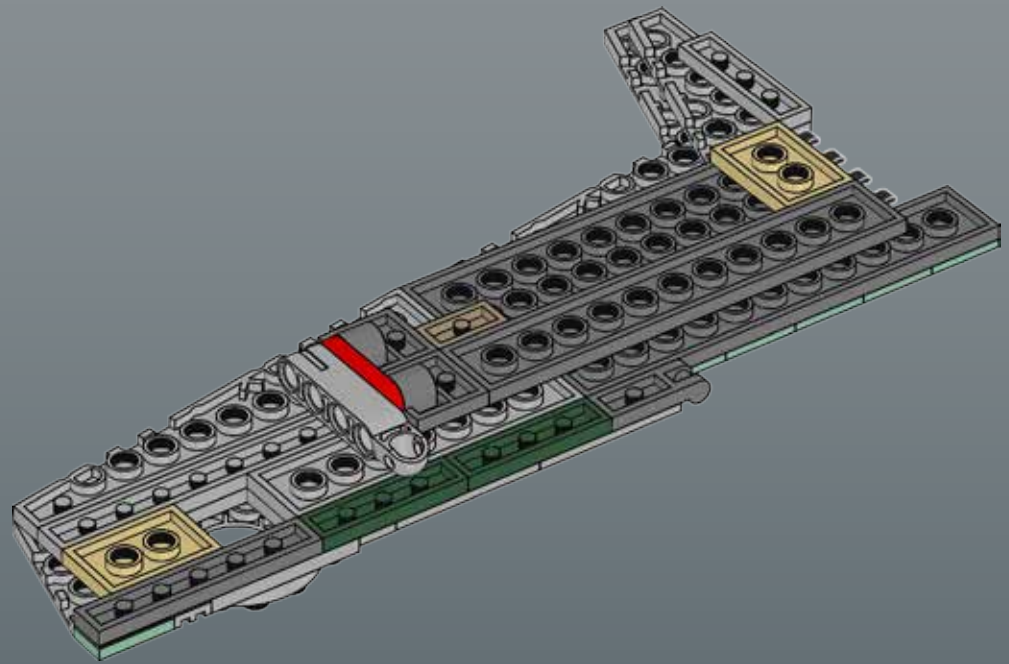




21

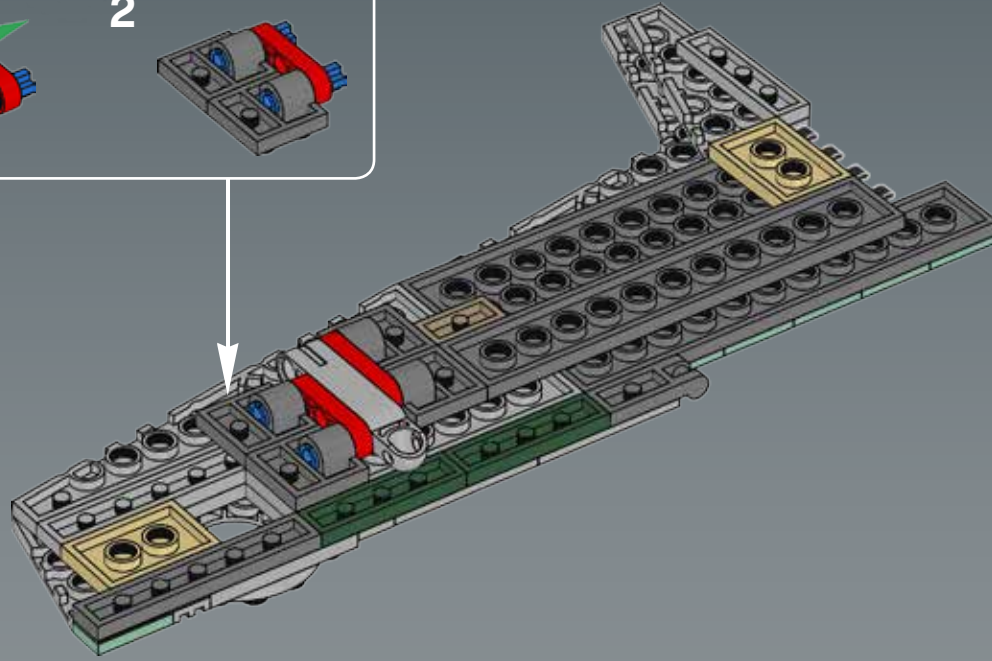
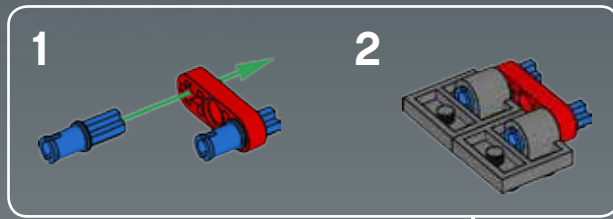


22

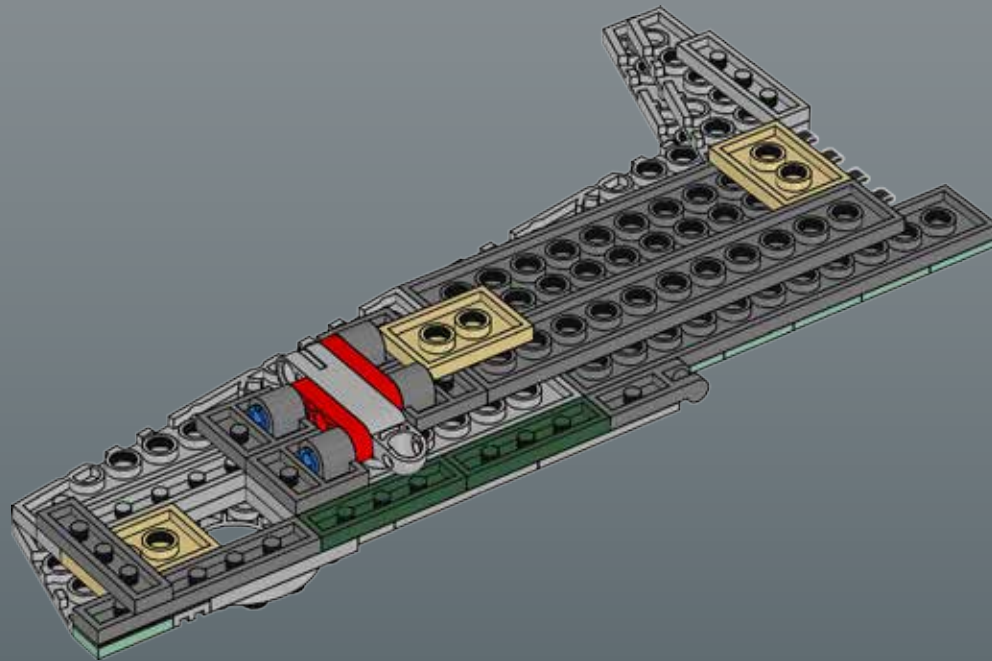




23

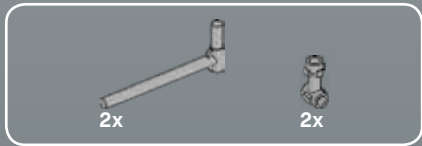
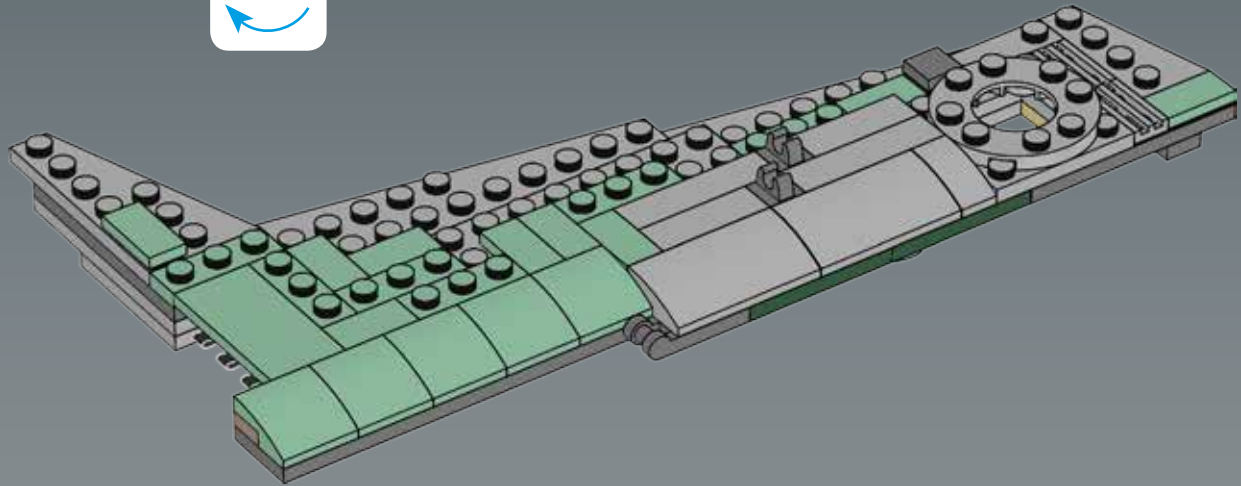


24

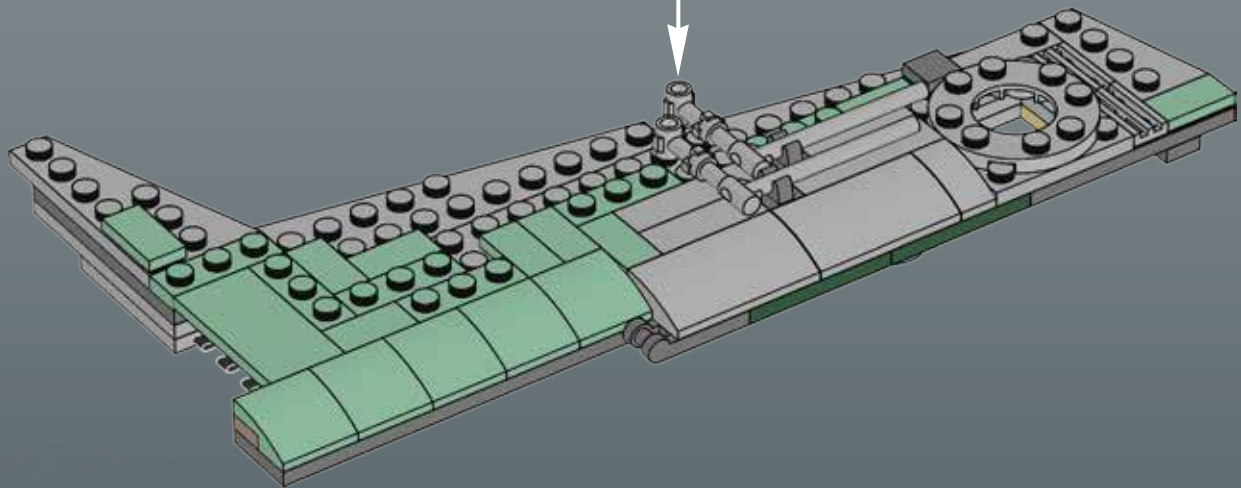
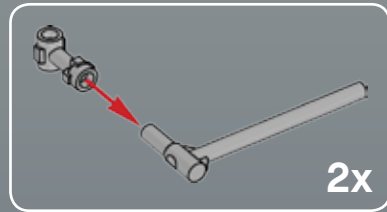


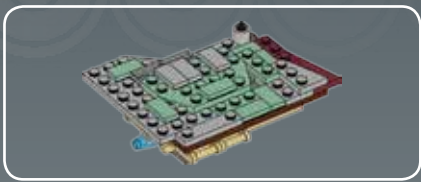


25



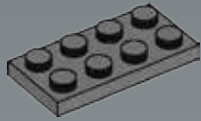
26





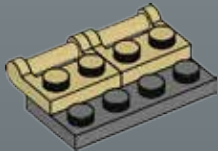
1x

1



2x

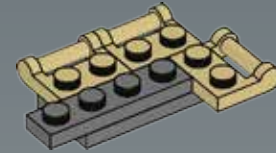
2



1x

1x

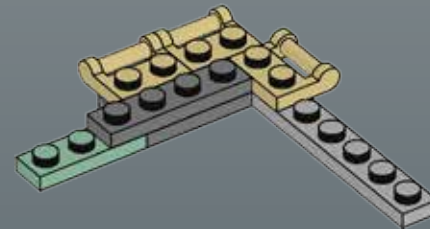
3



1x

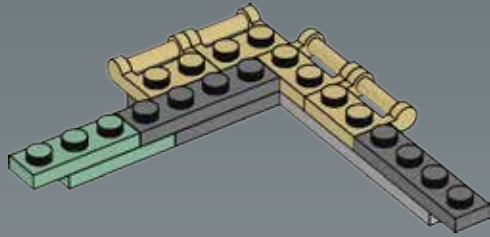
1x

4

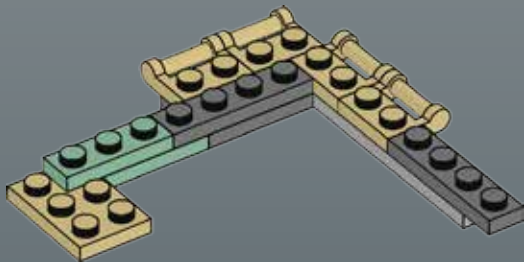




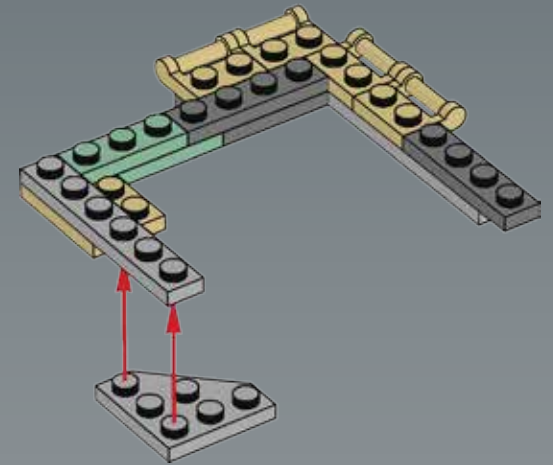
5



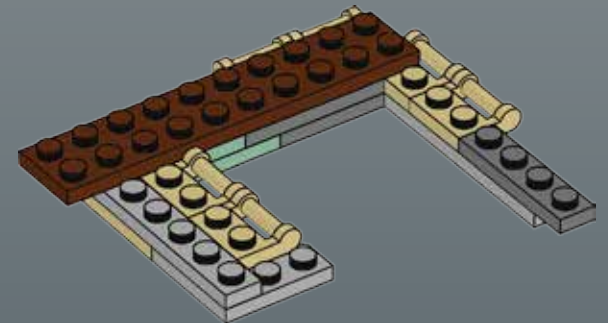
6

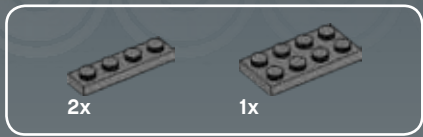


7

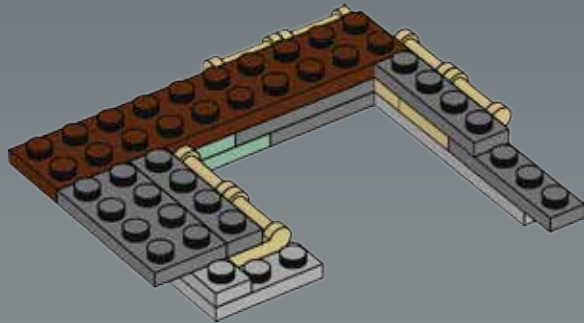


8

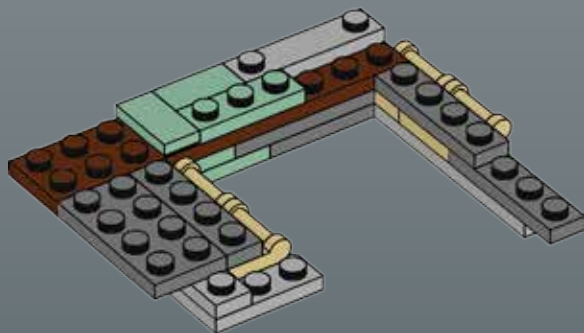




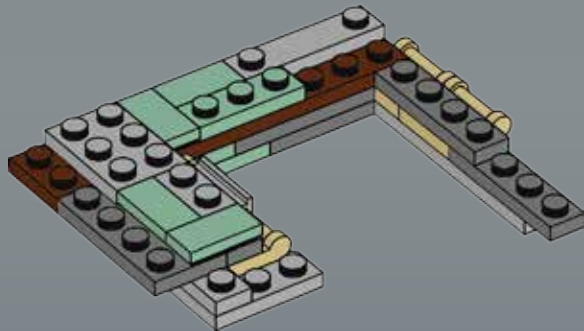
9

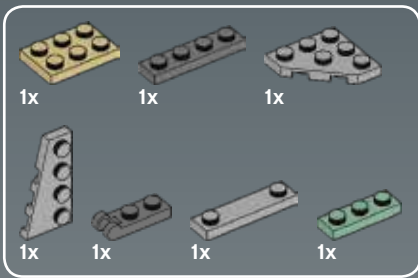


10

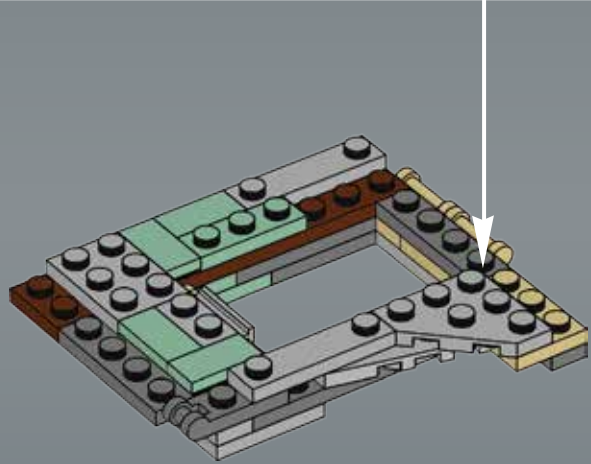
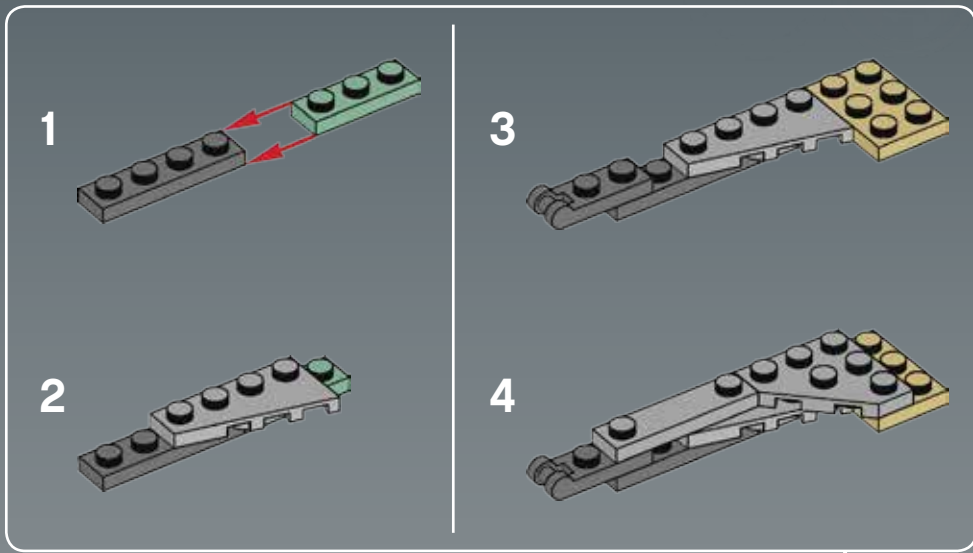


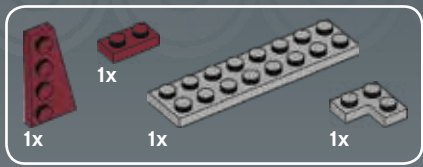
11



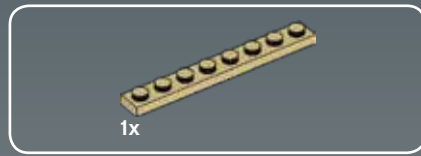
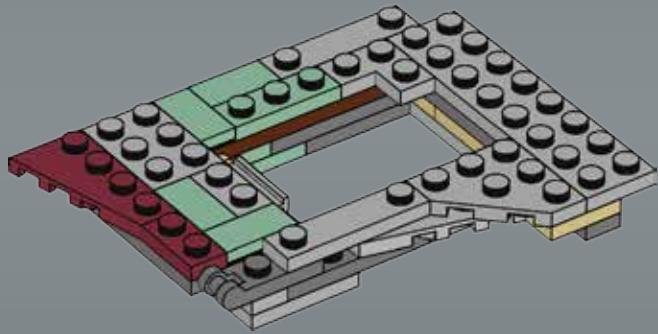


12

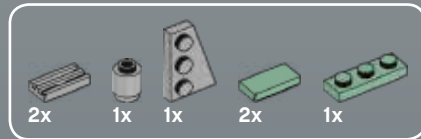
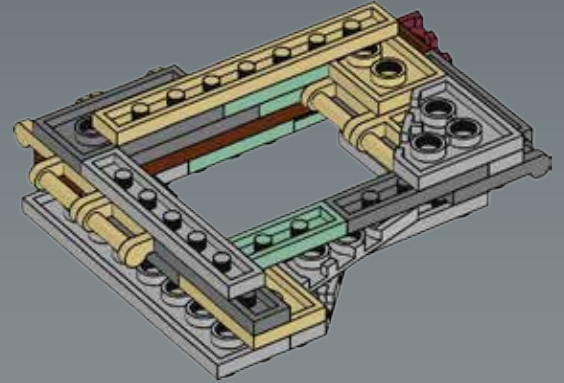




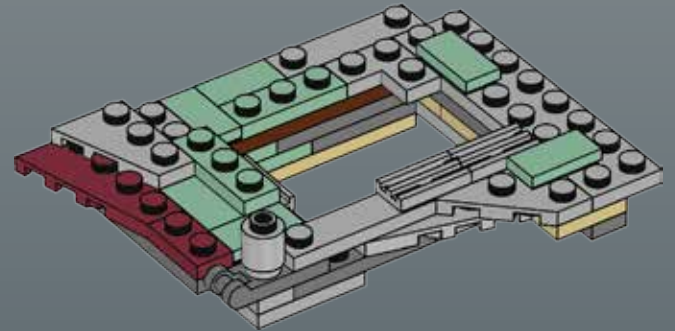
13



14

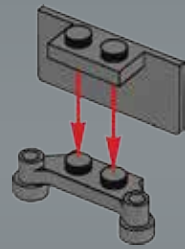


15

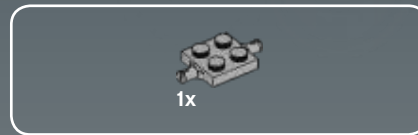
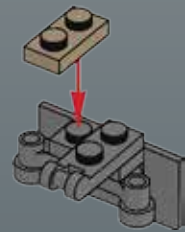




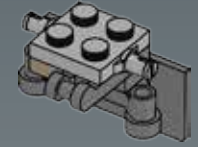
1



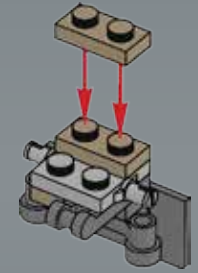
2



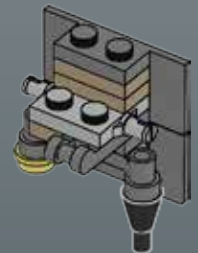
3

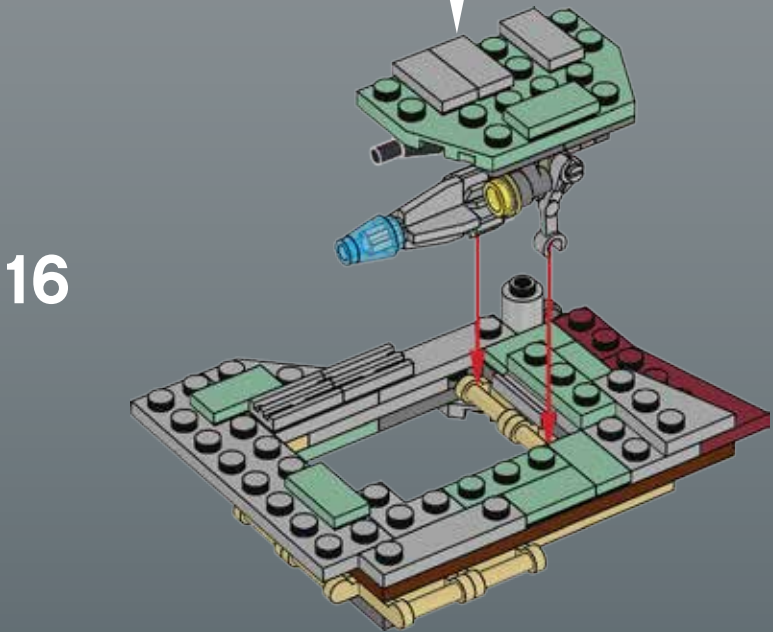
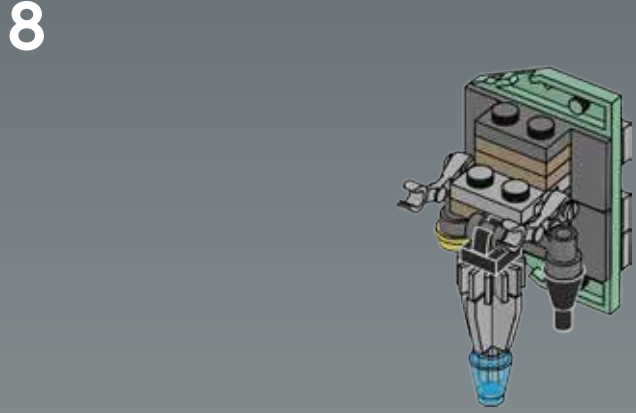
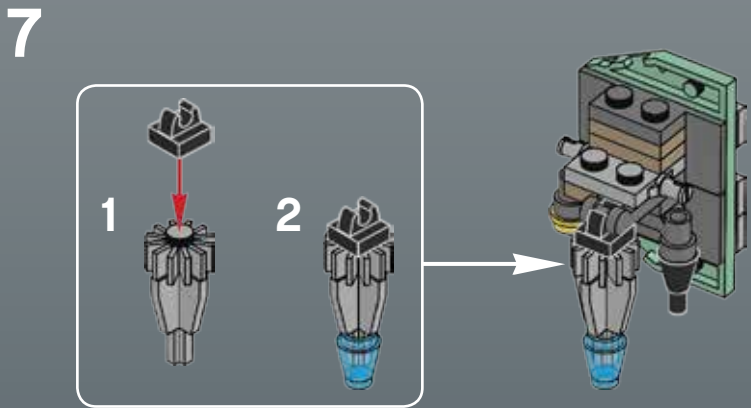
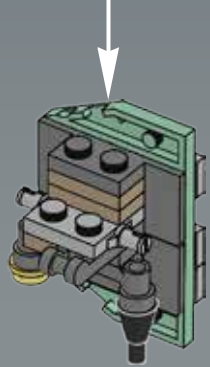
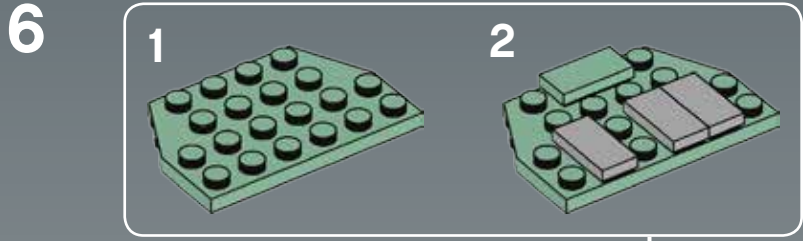
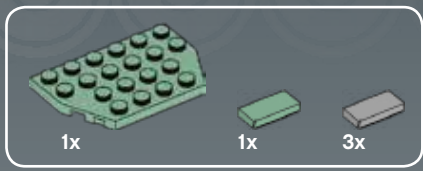


4

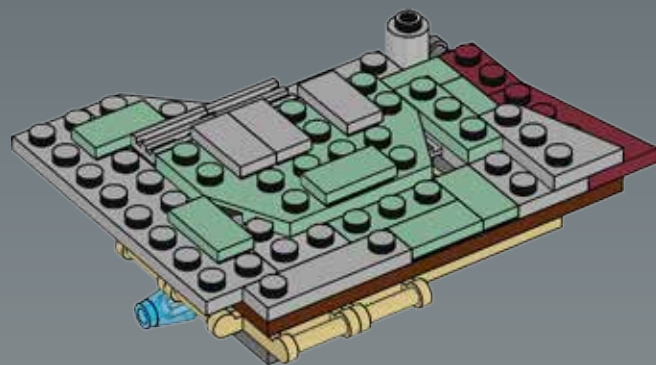


5

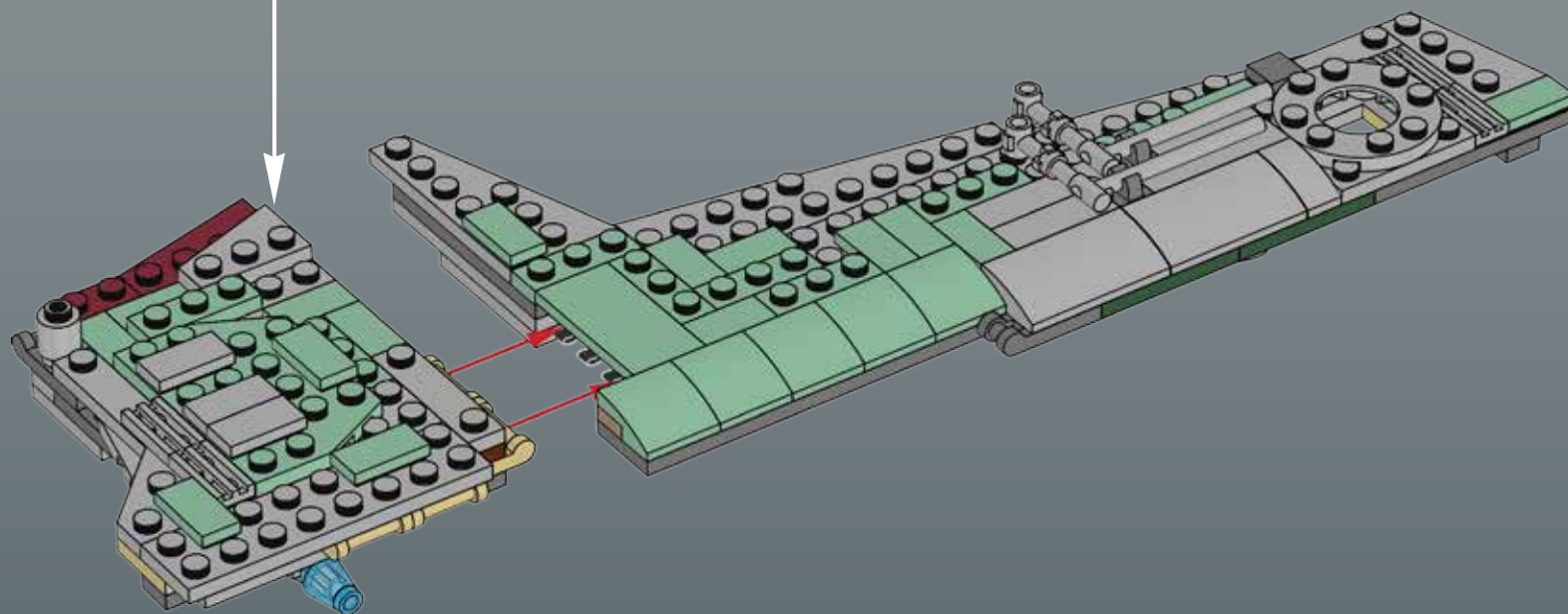


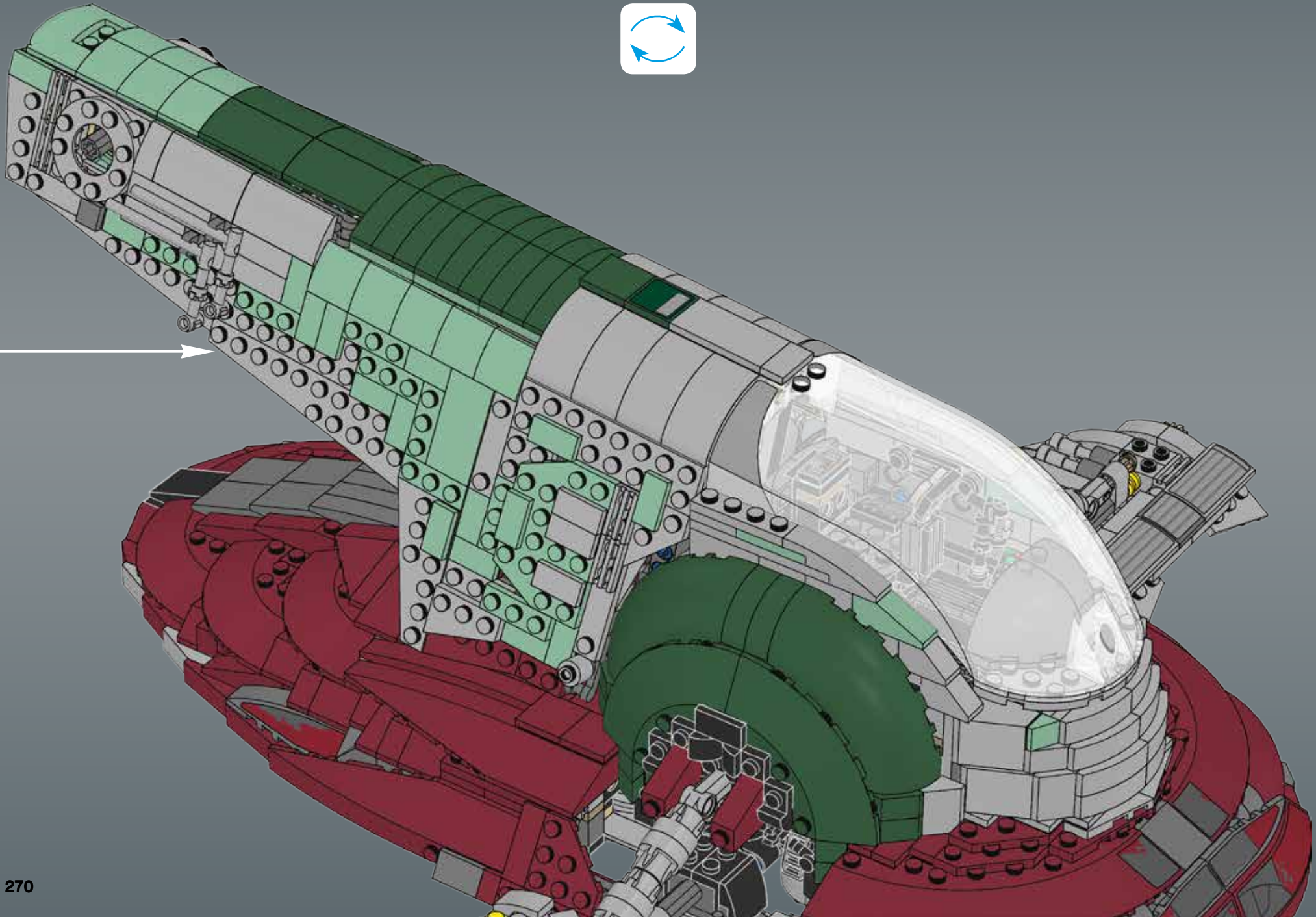


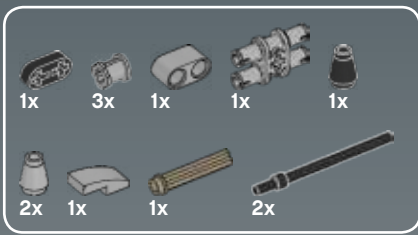
17



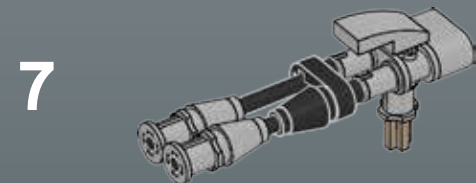
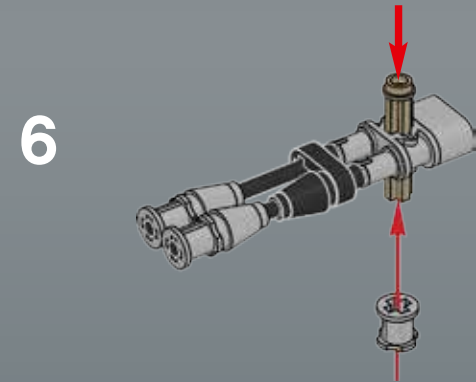
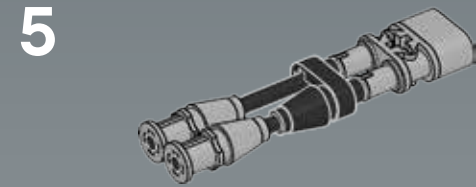
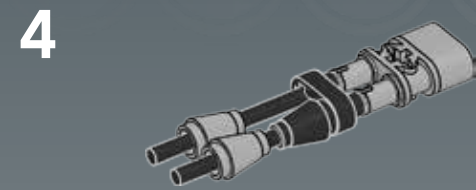
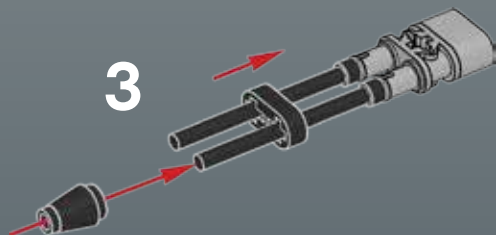
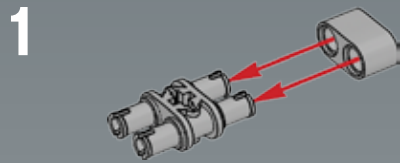
27

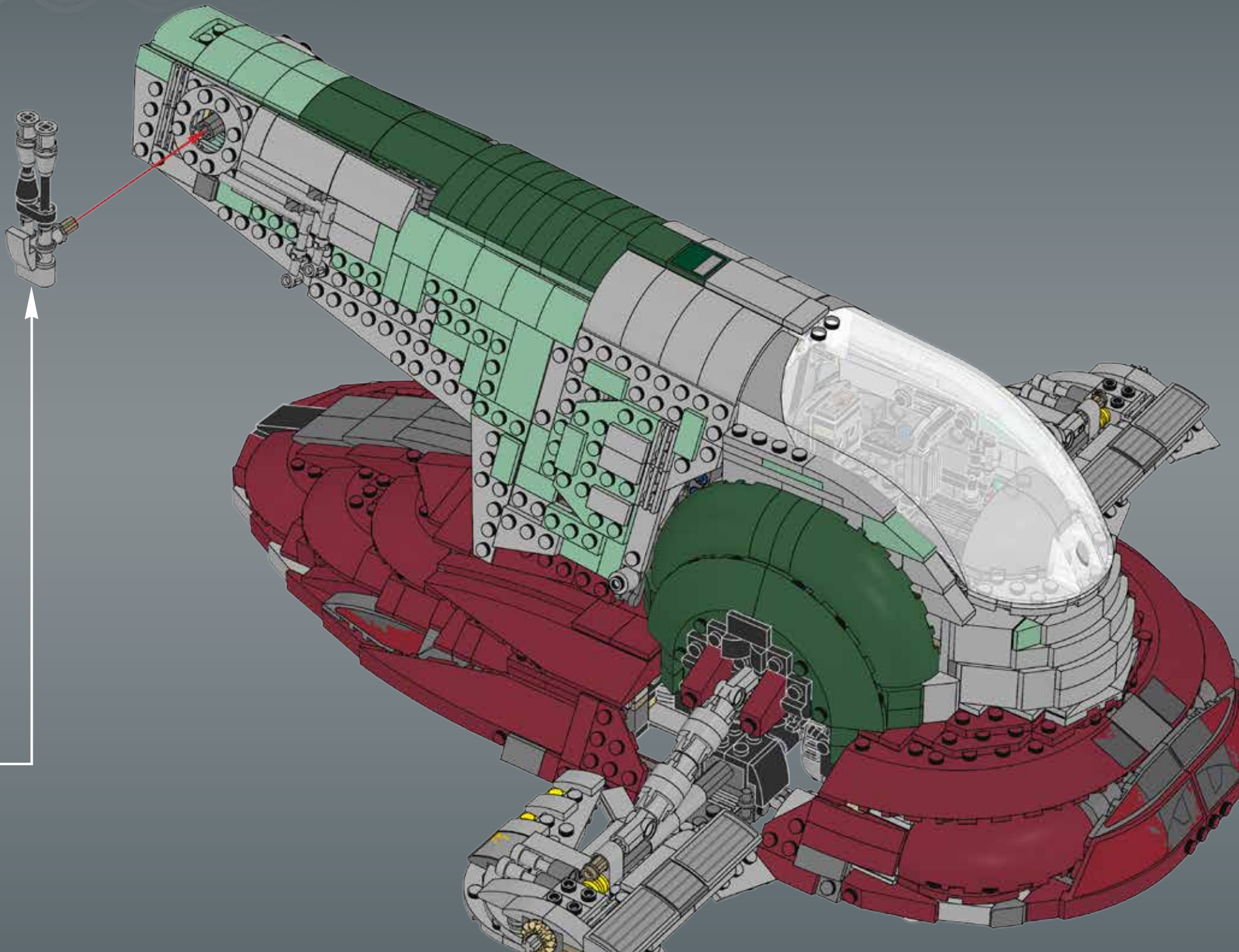


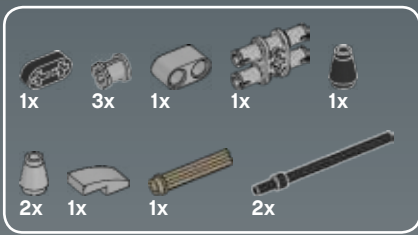




111

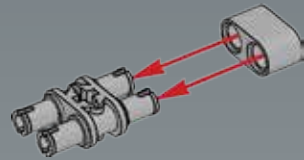




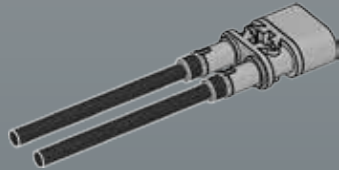


112

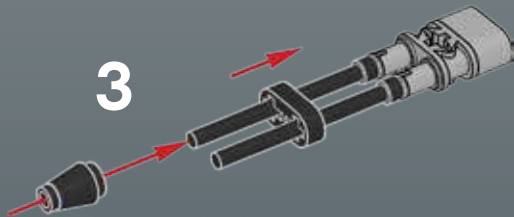
1



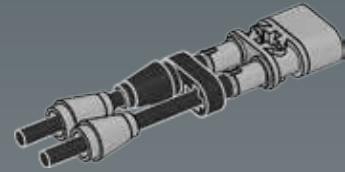
2



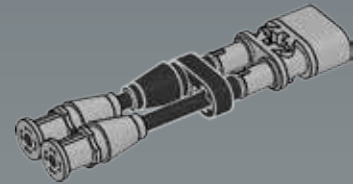
3



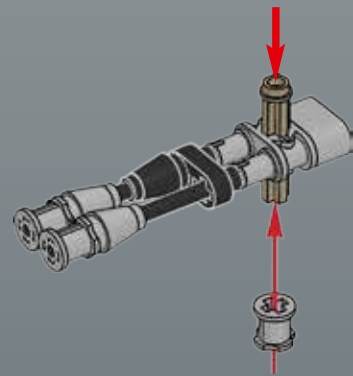
4



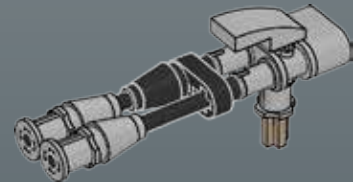
5

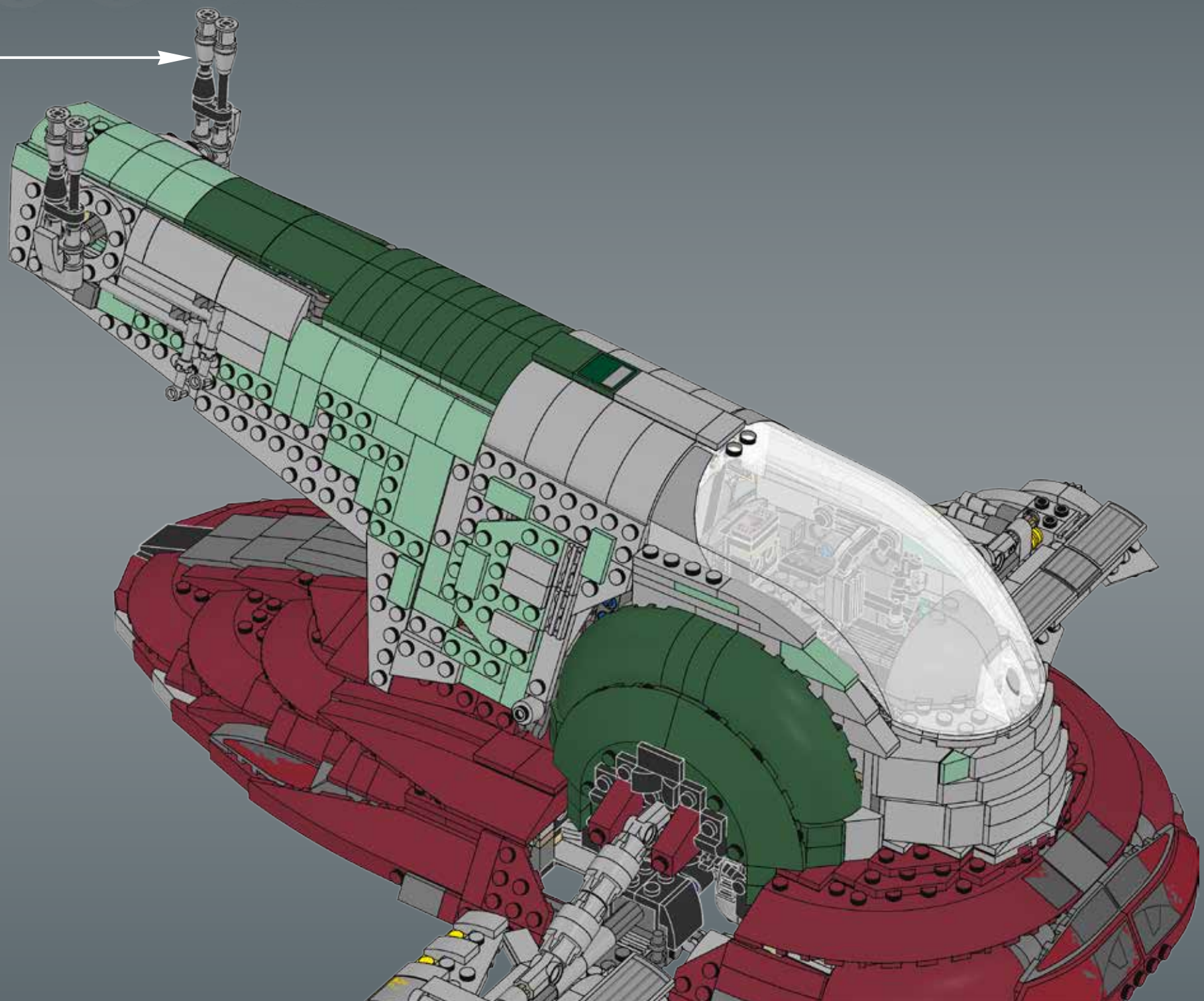


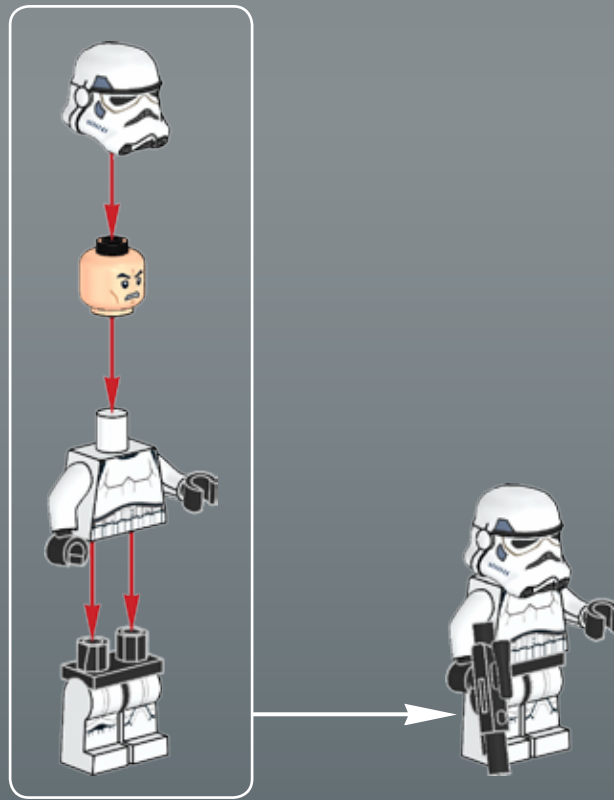
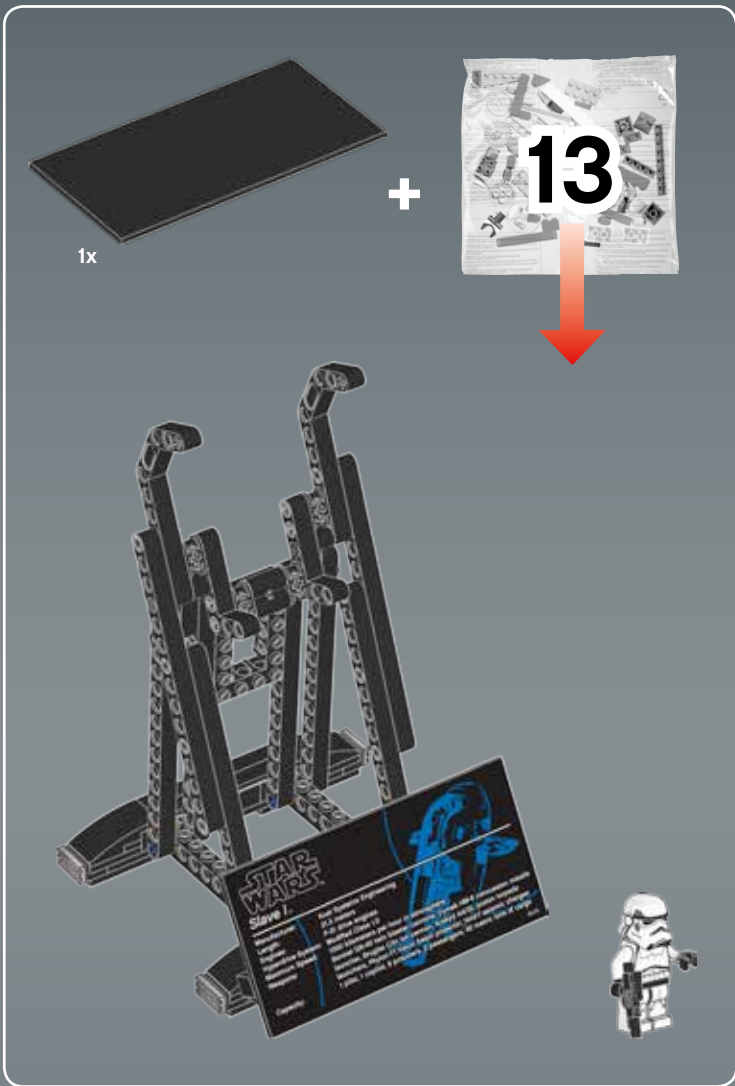
6

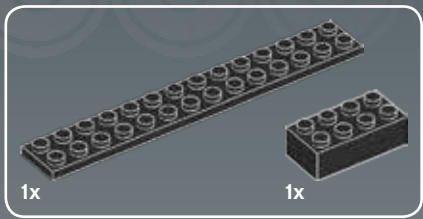


7

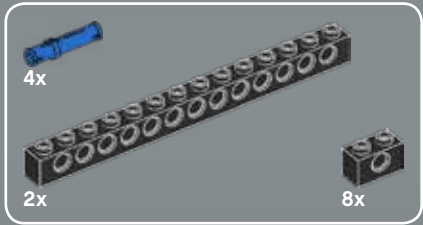
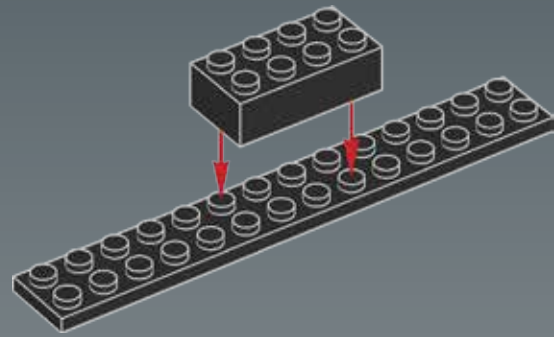




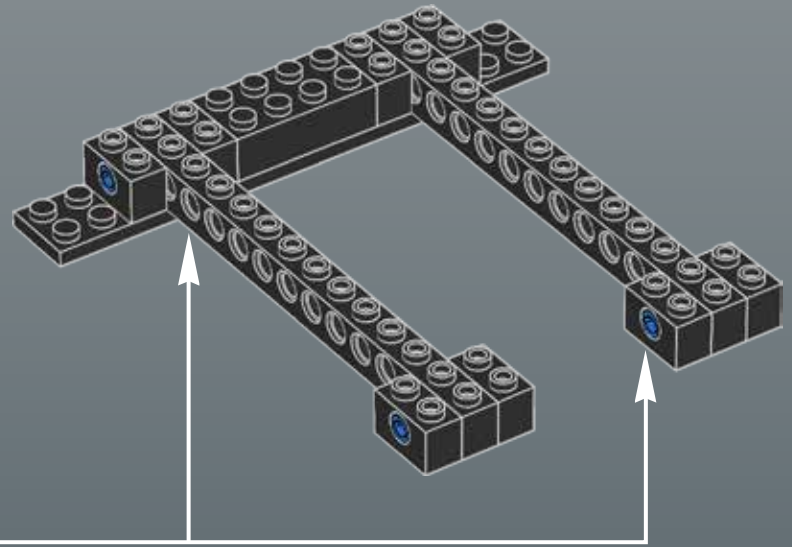
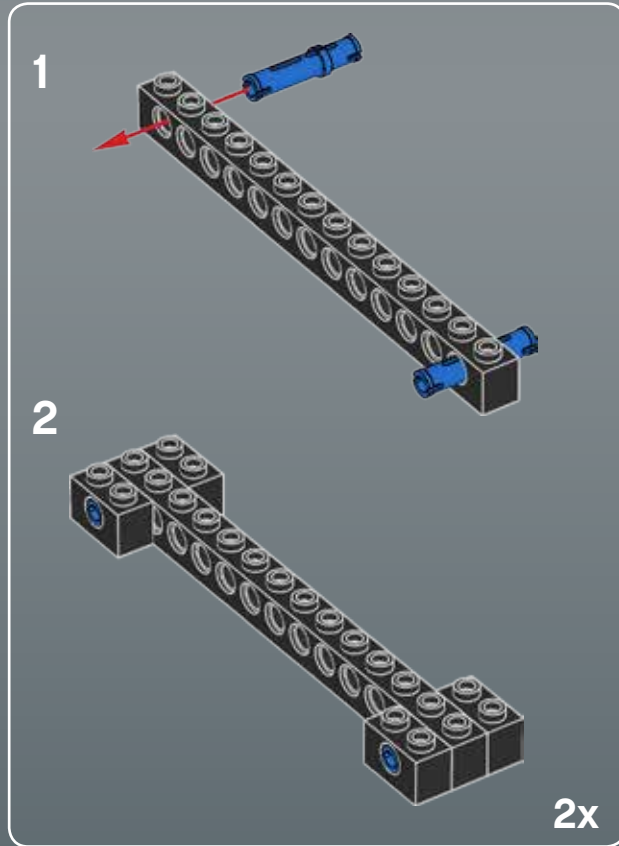


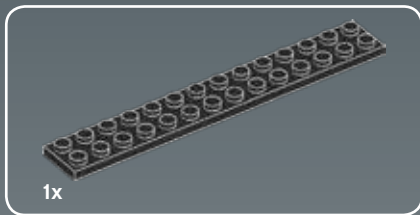


1

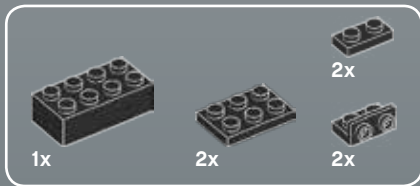
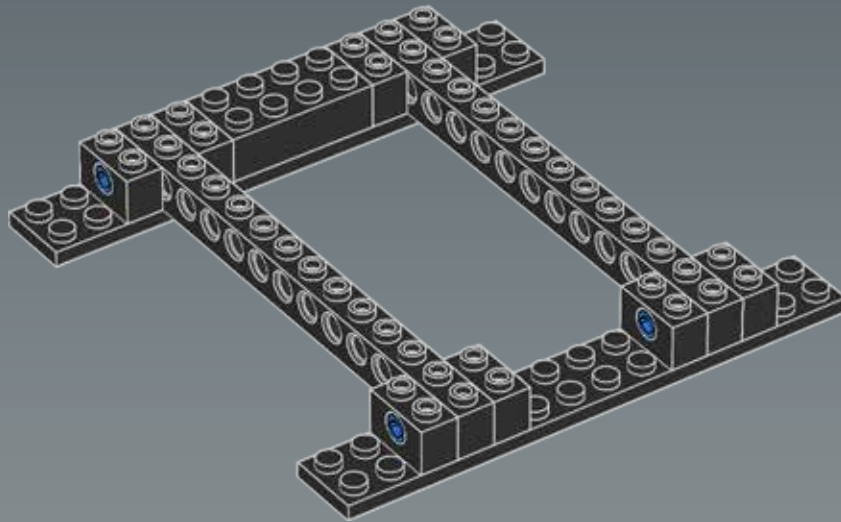


2

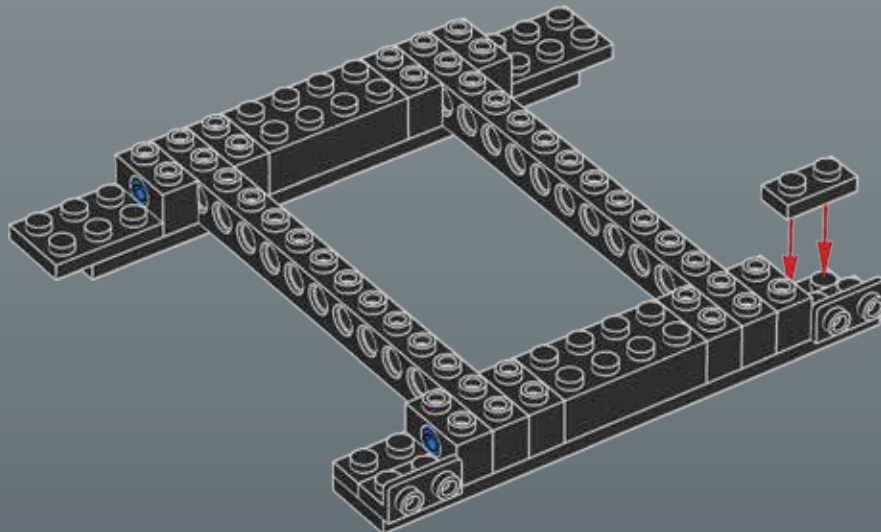




3

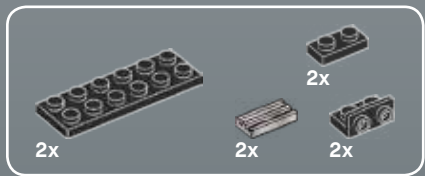
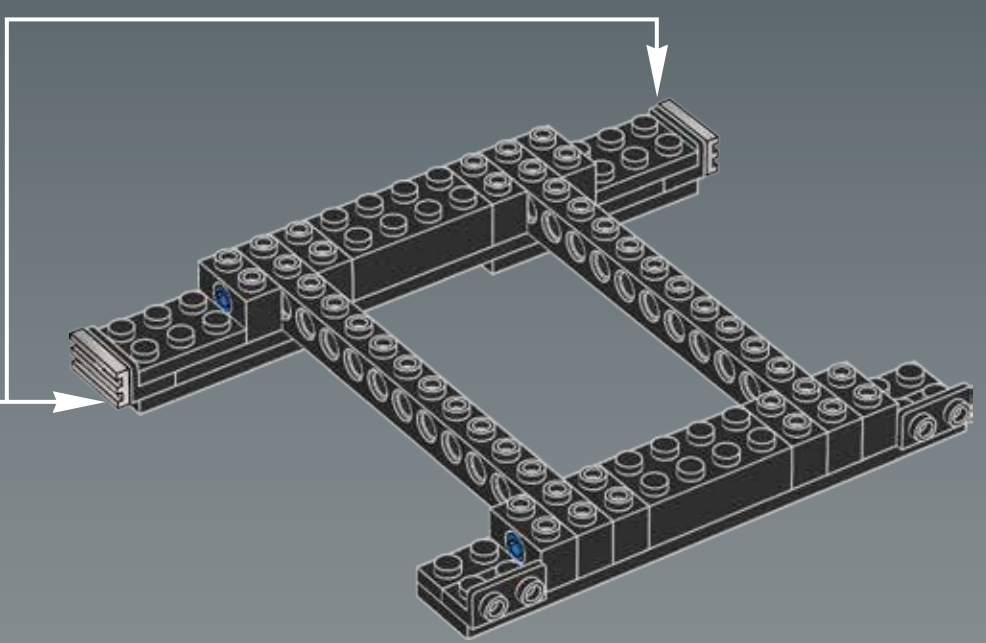
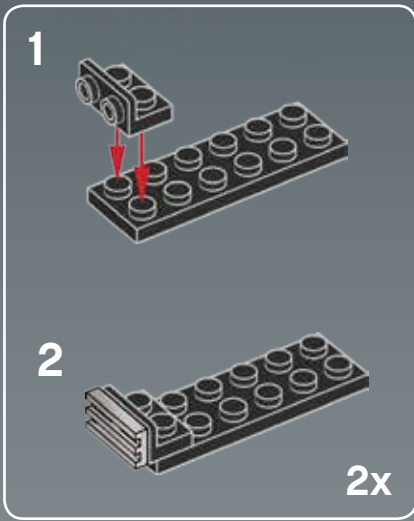


4

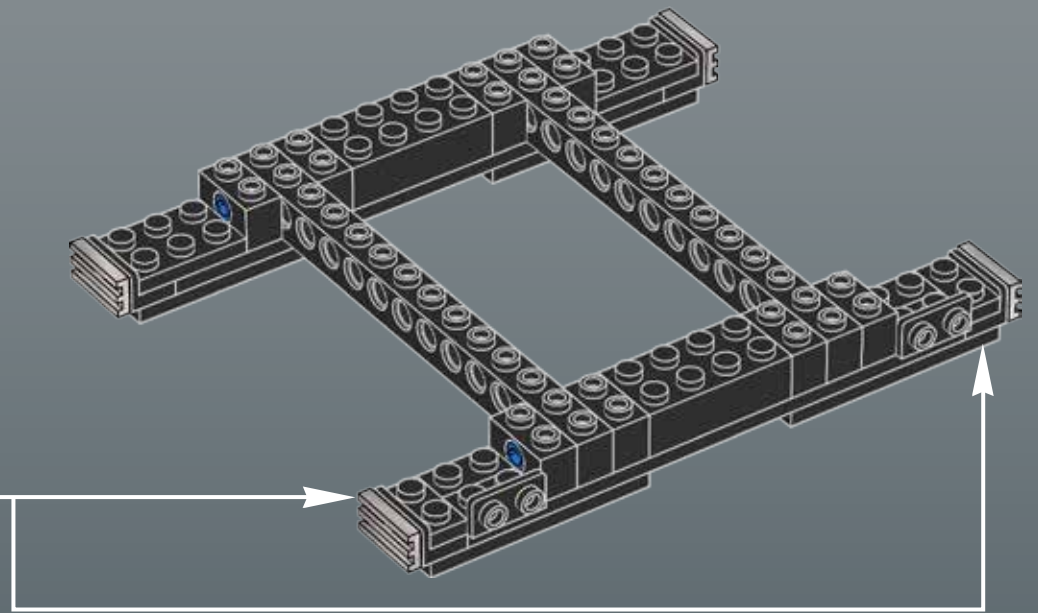
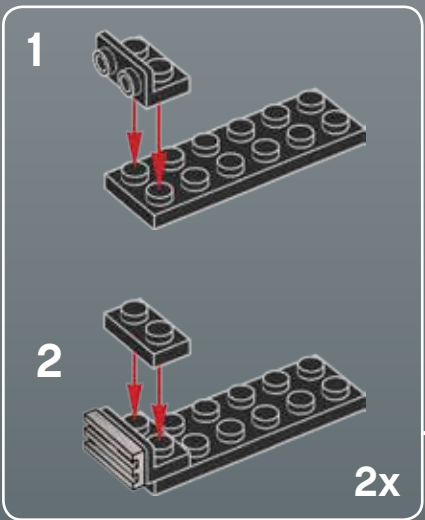




5



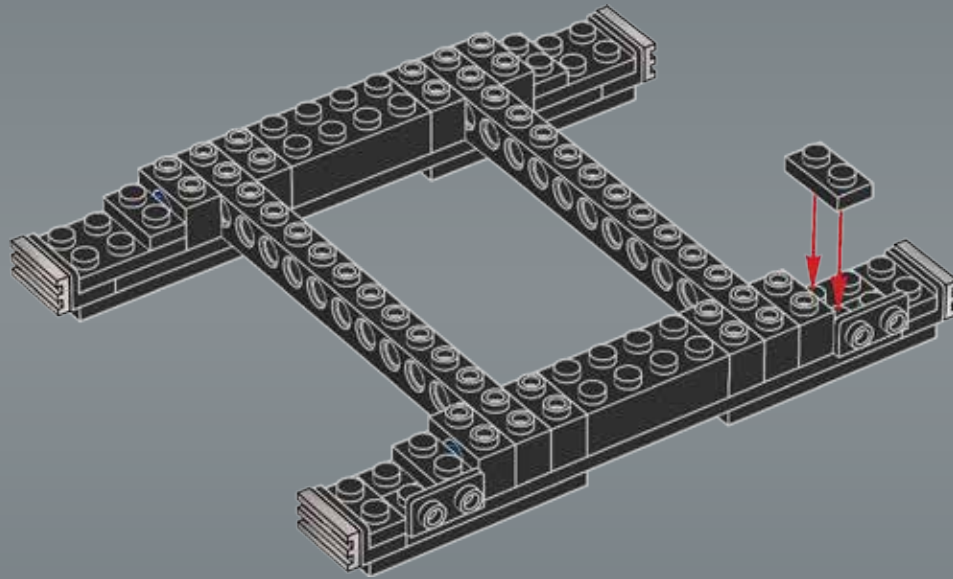
6





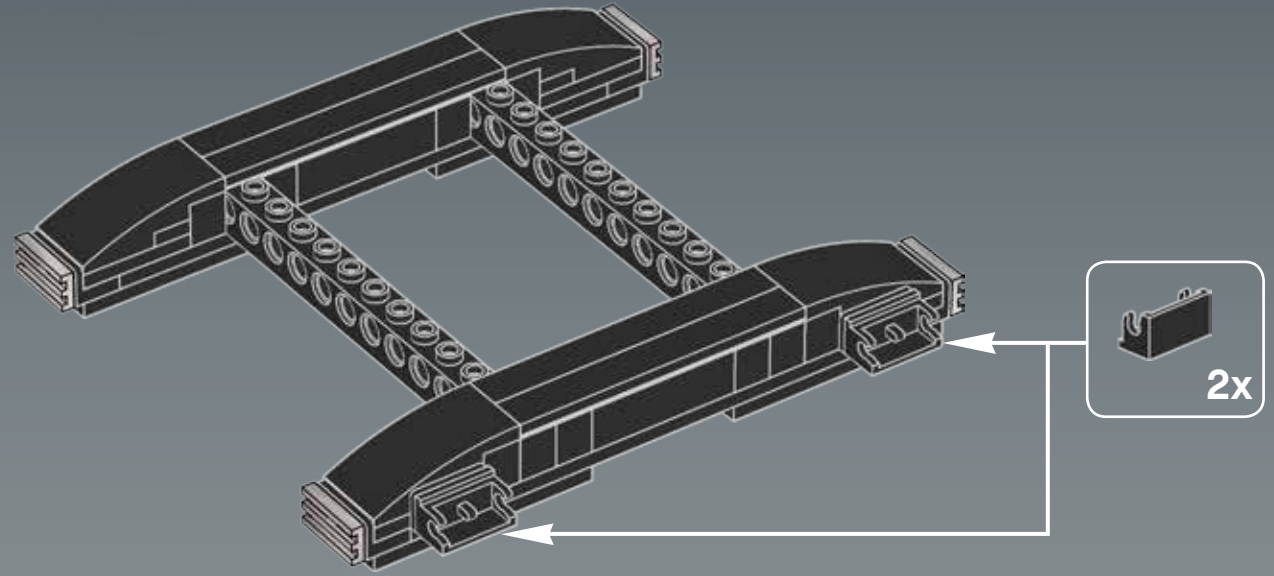
4x

7

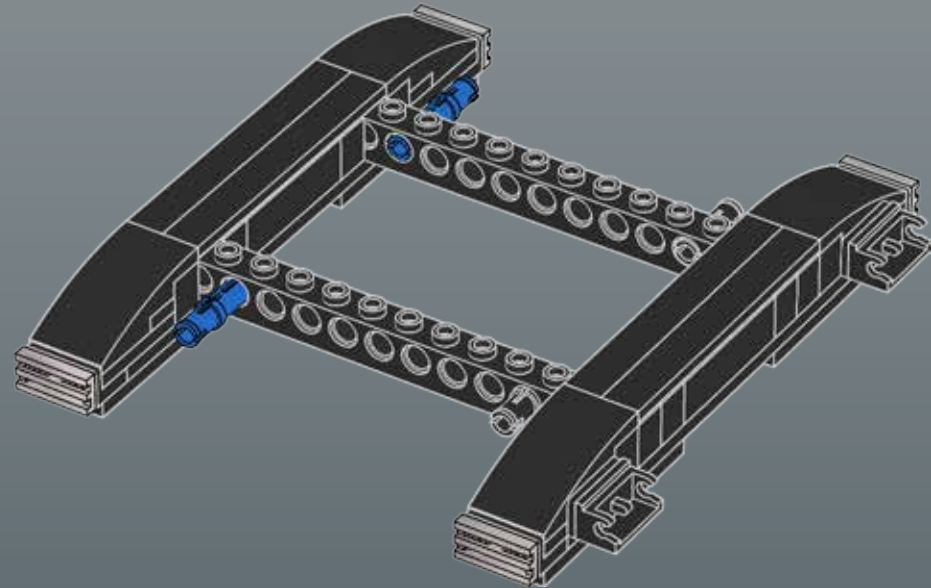


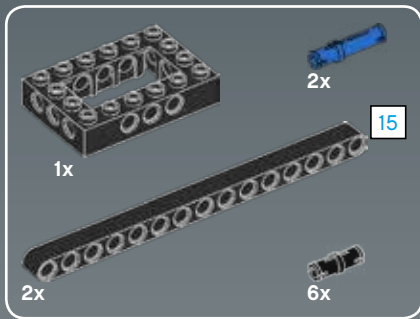


8

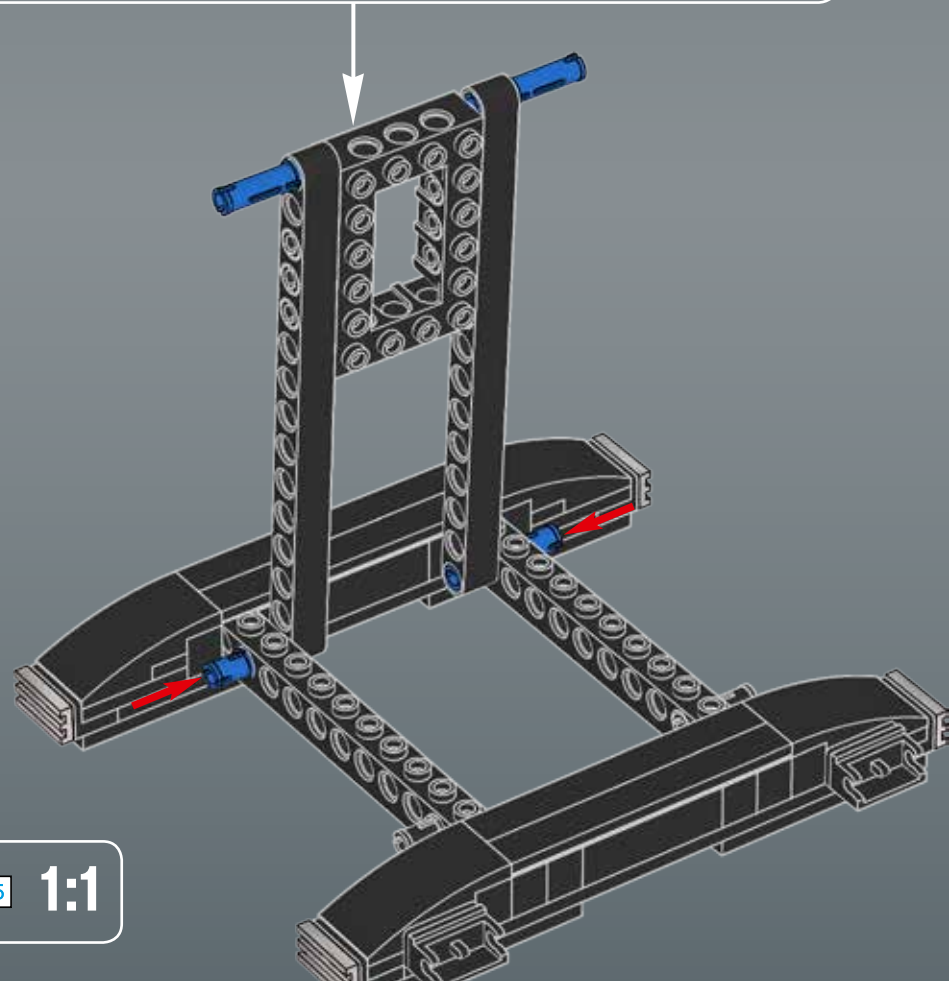
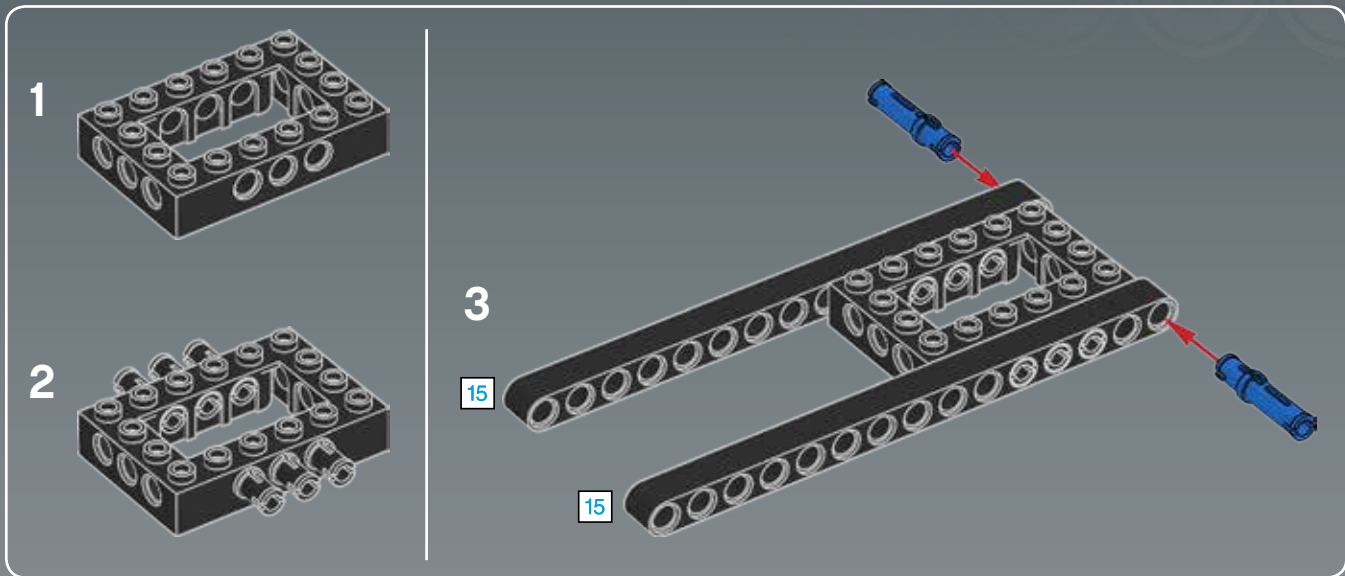


9



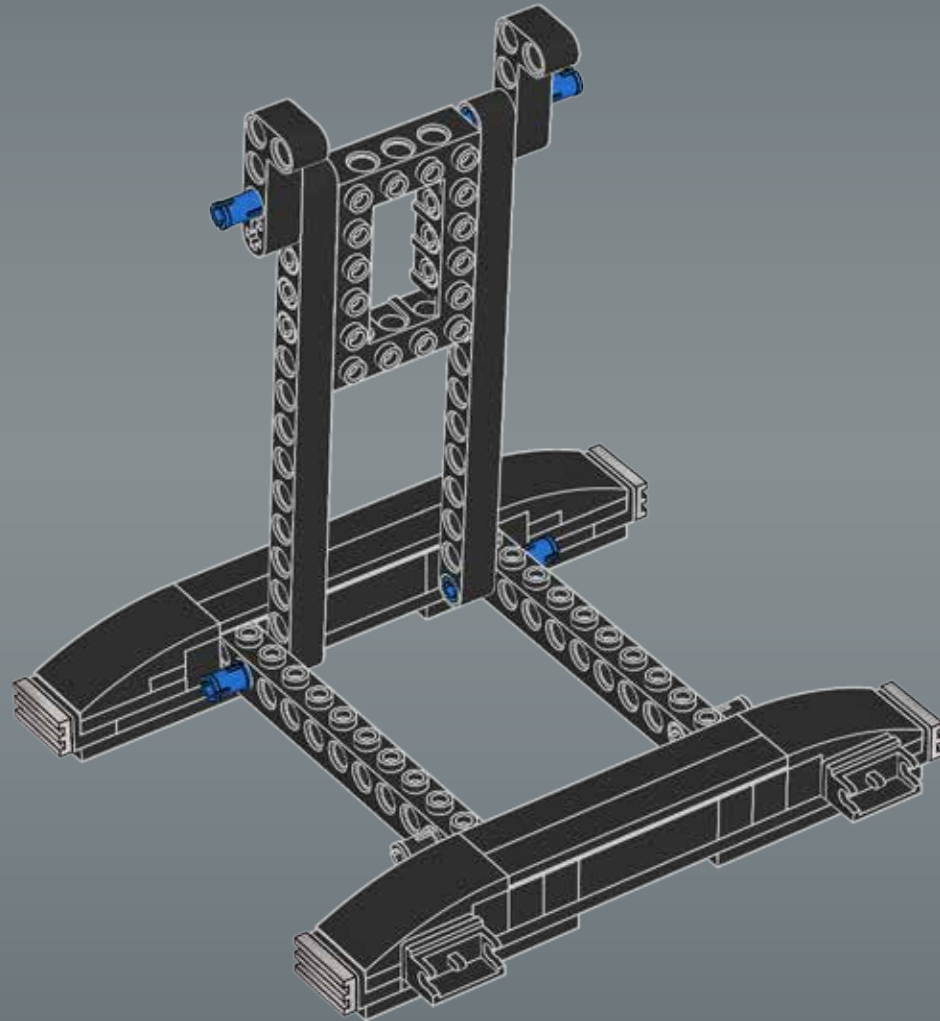


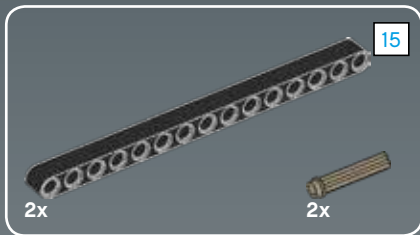
10



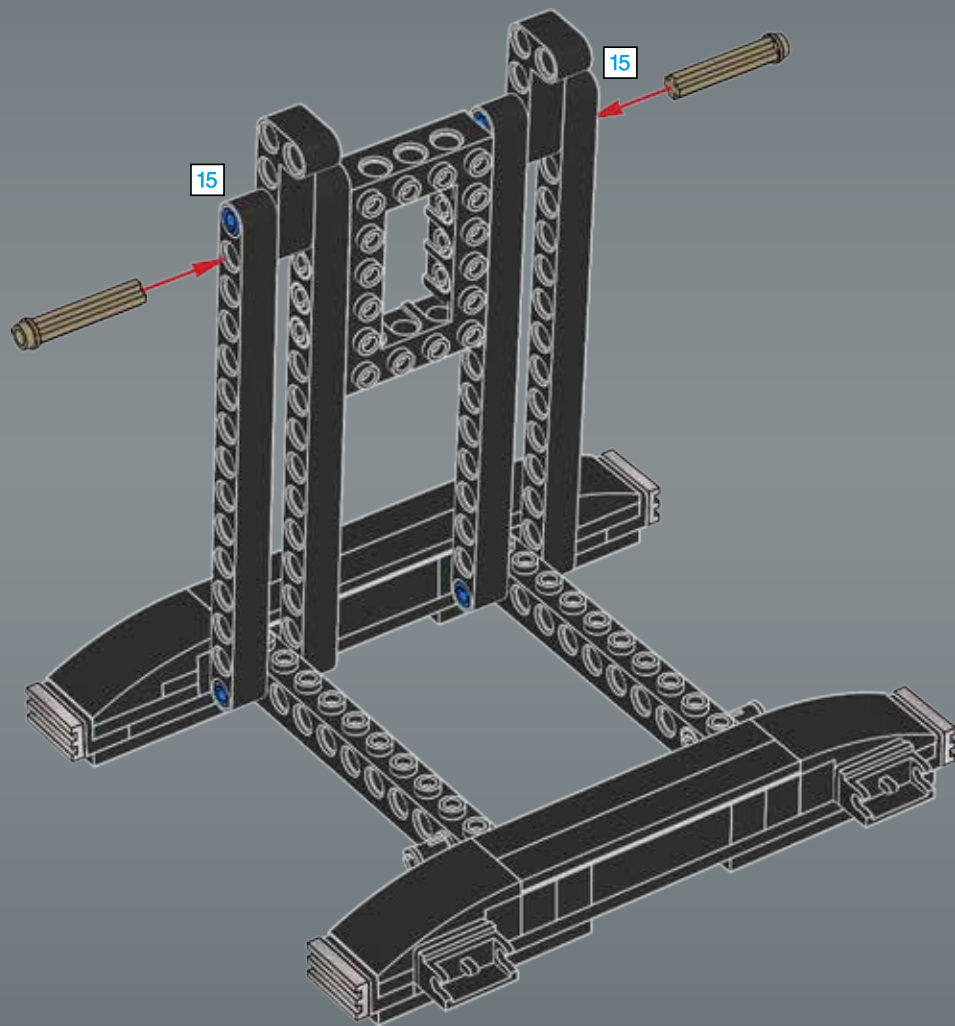


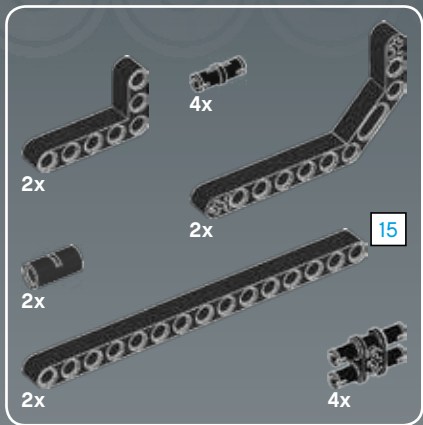
11





12



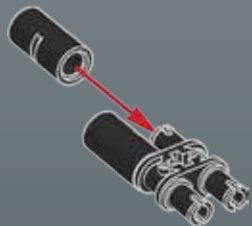


13

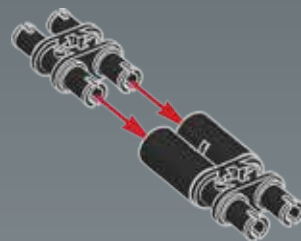
1



2



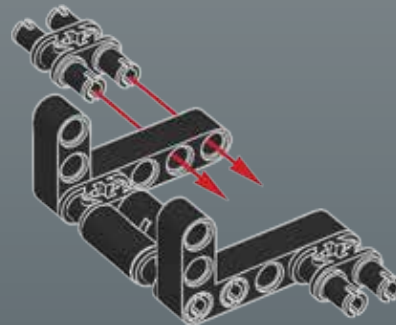
3



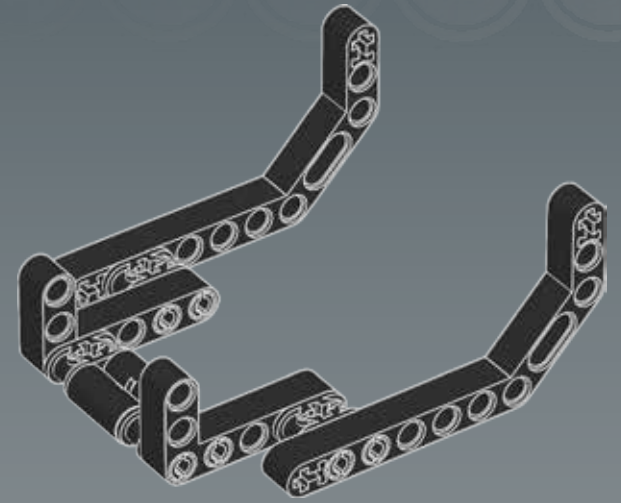
4



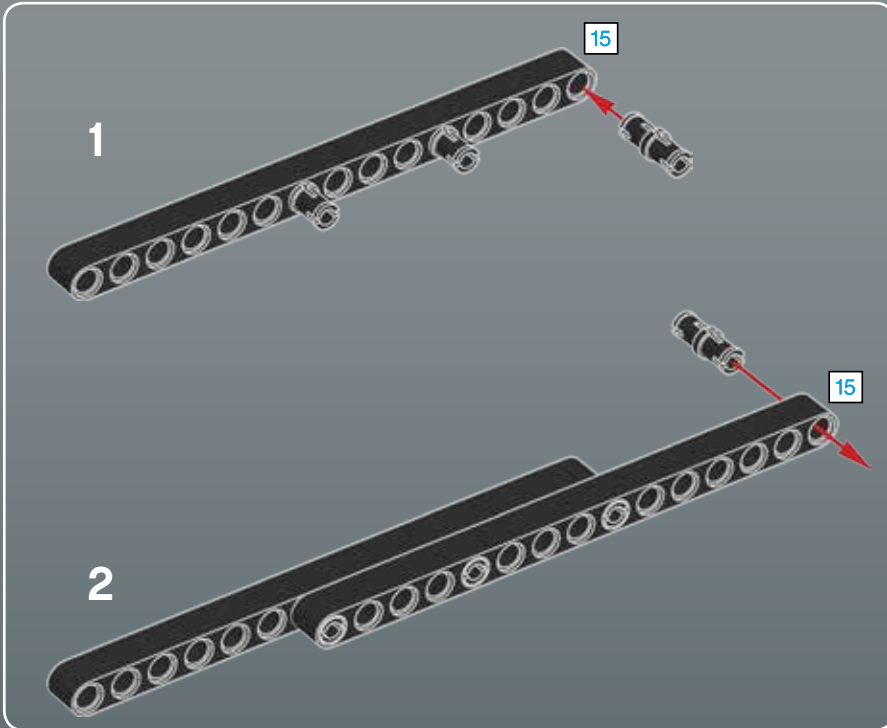
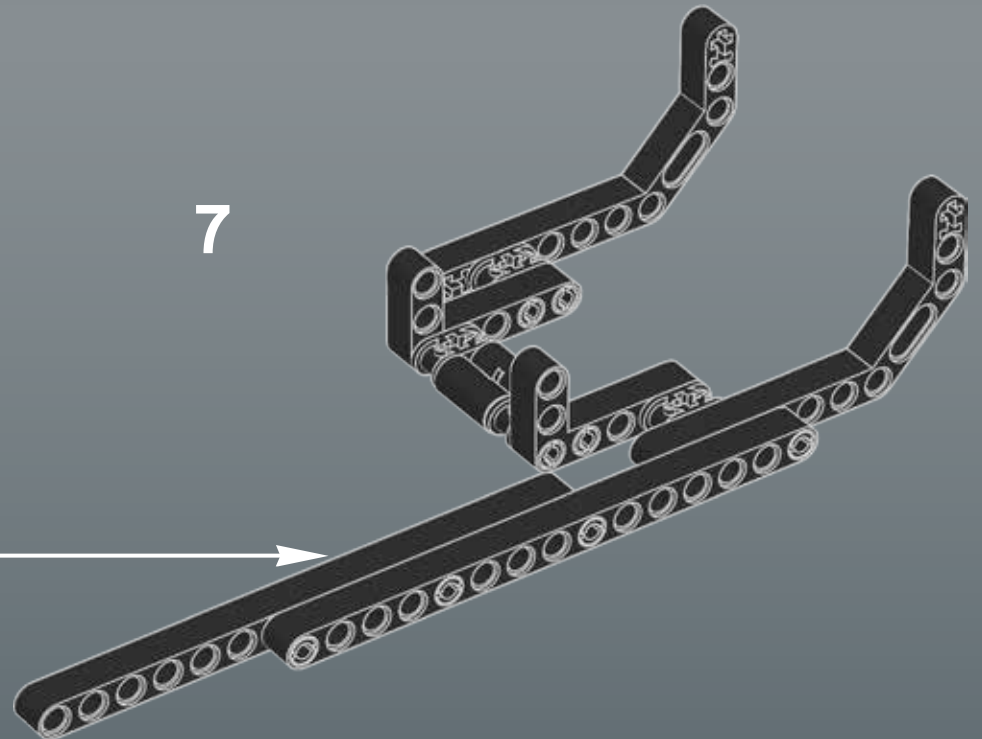
5

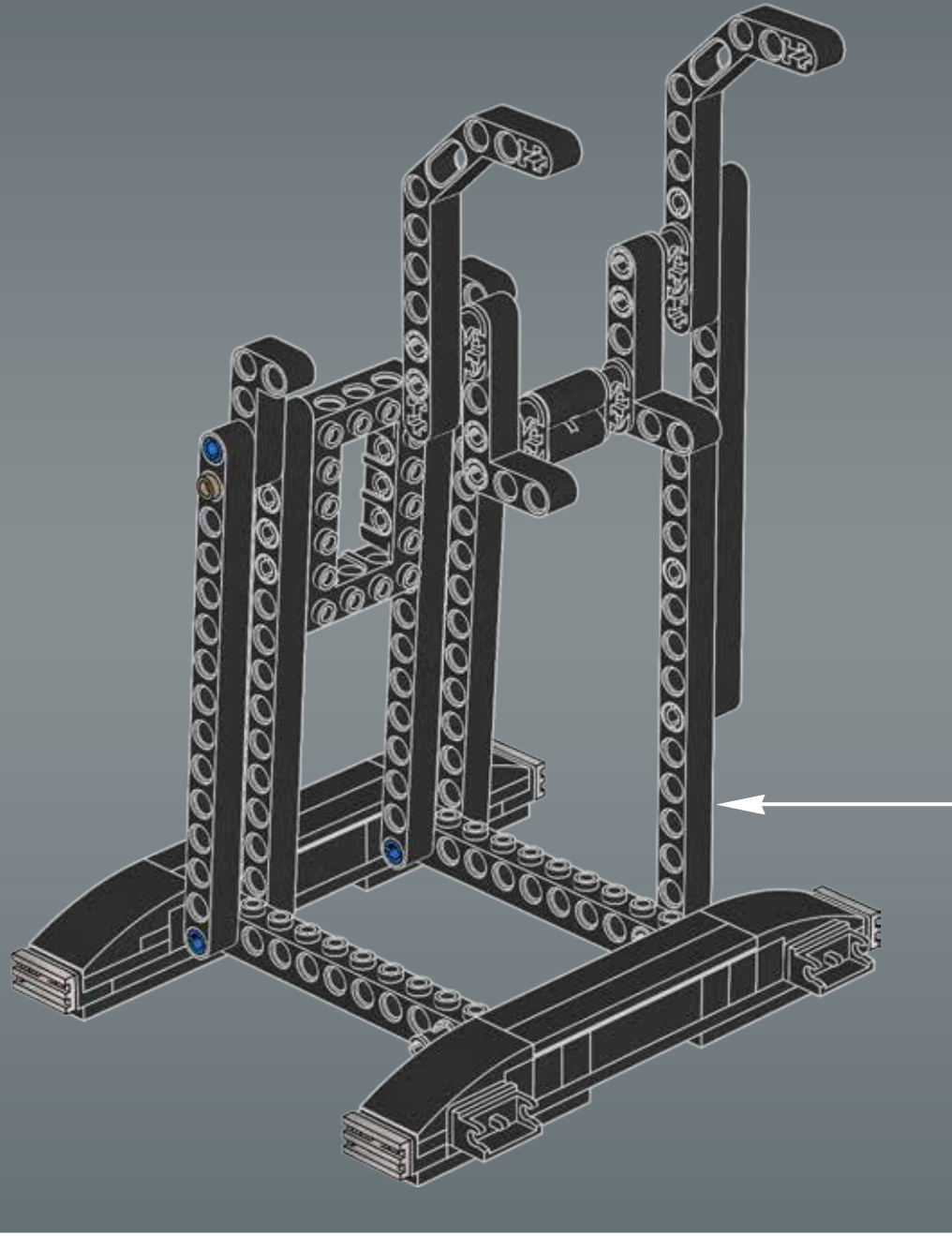


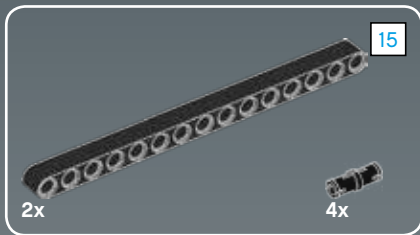
6



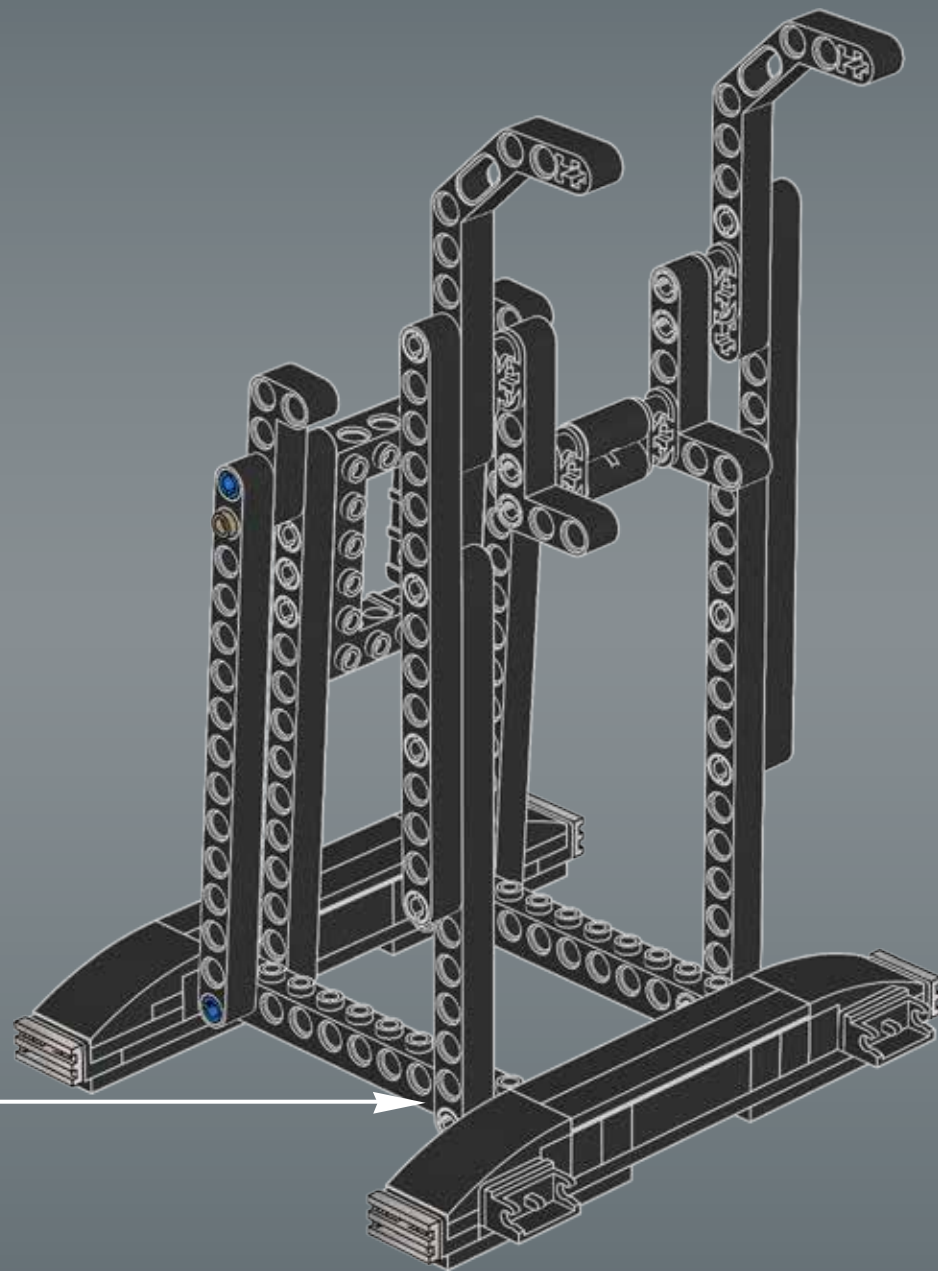
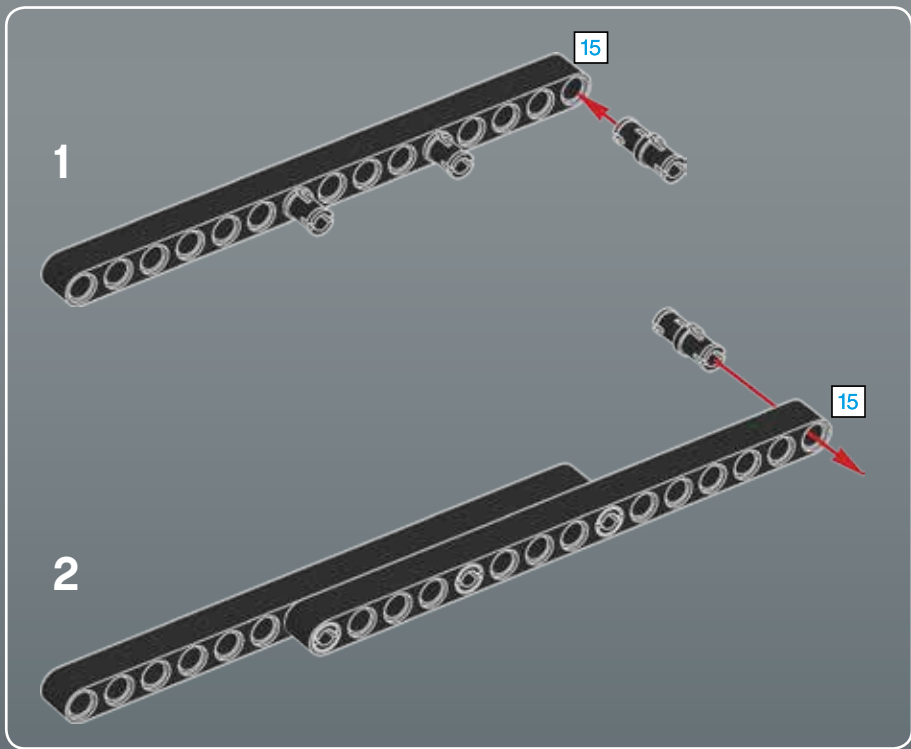
7

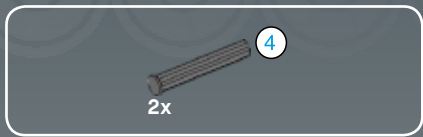




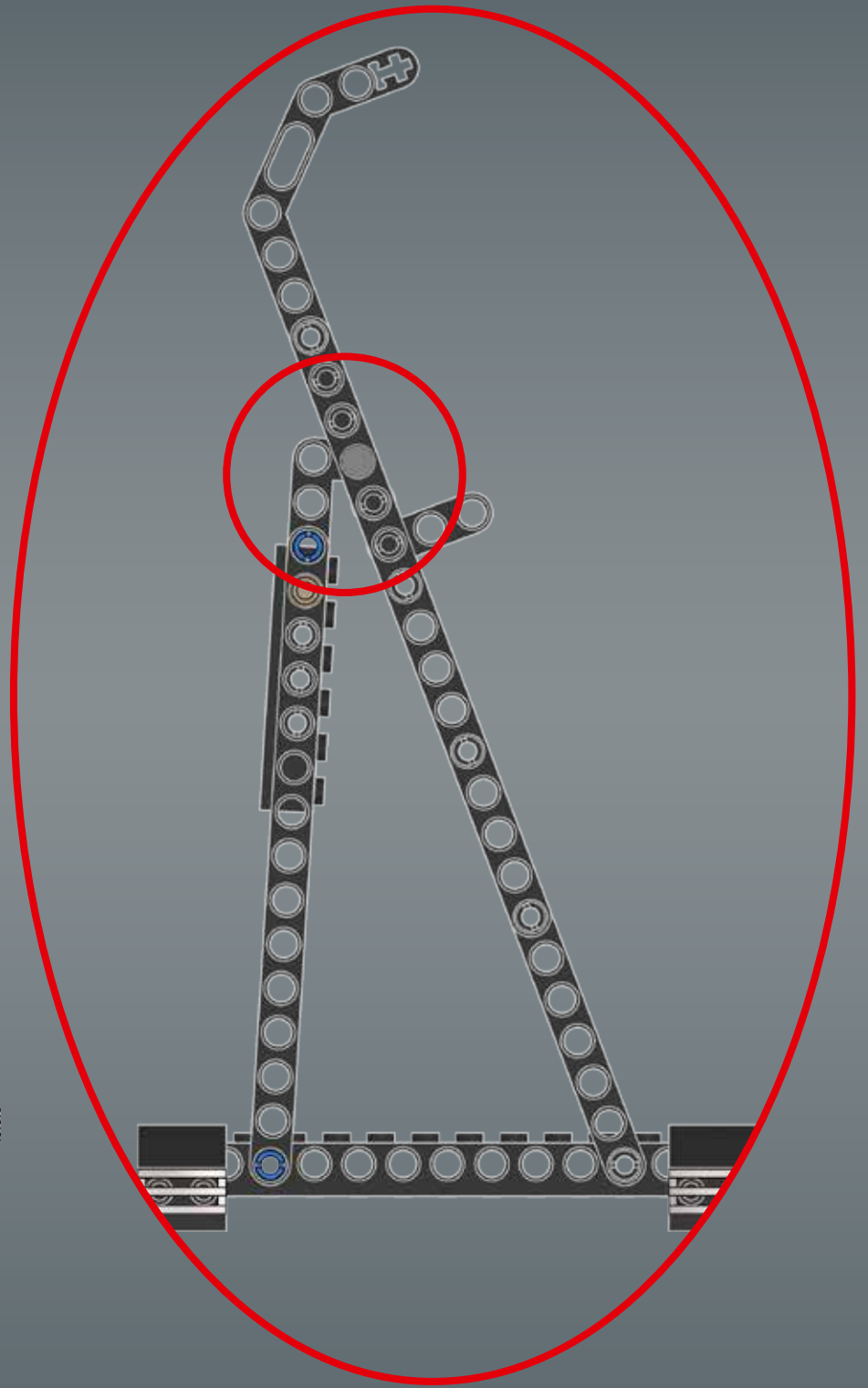
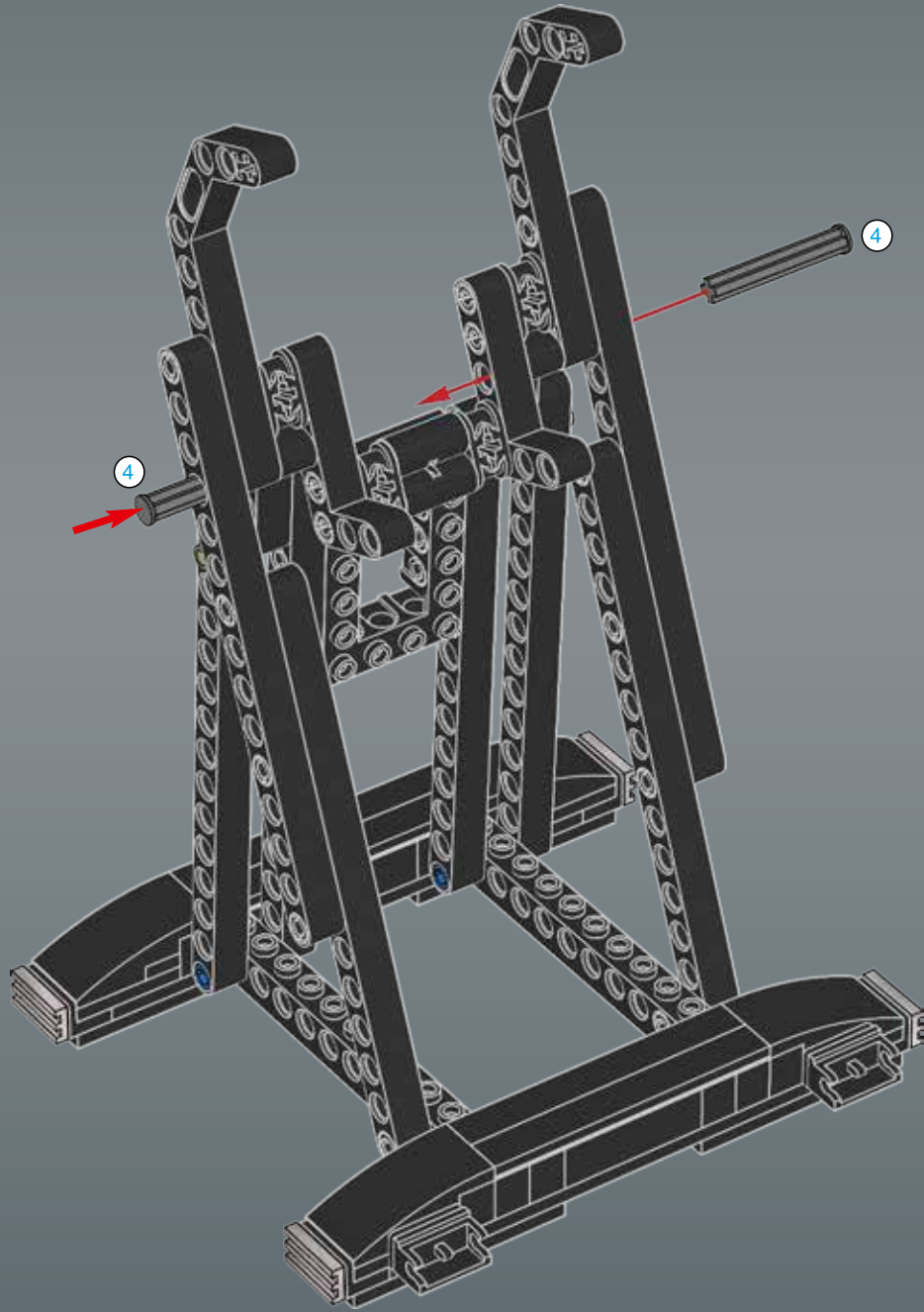


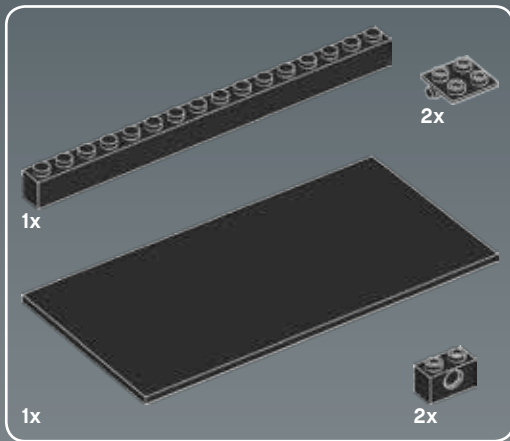
14





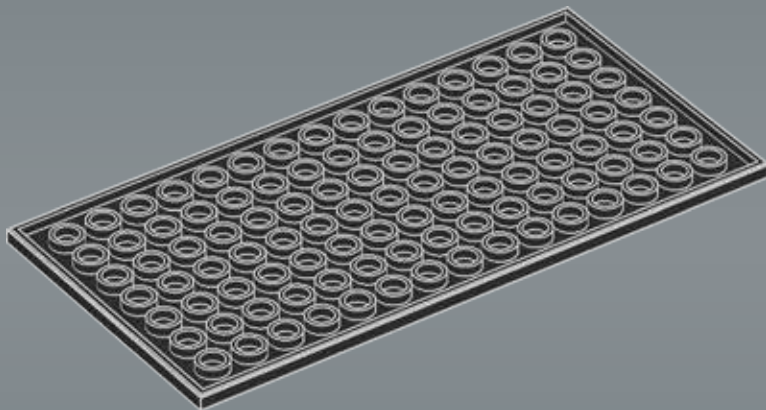
15



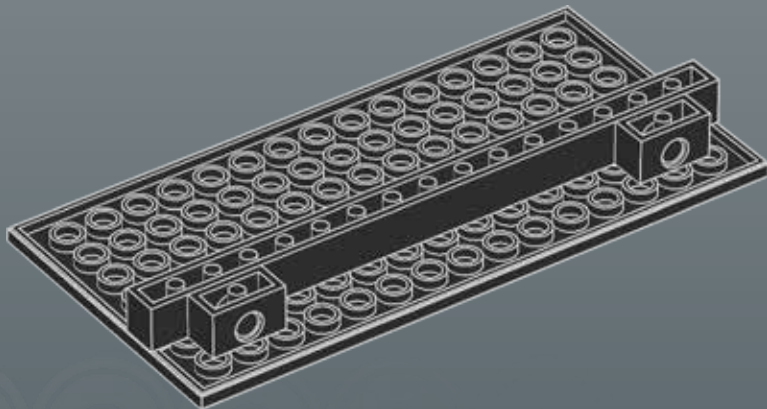


16

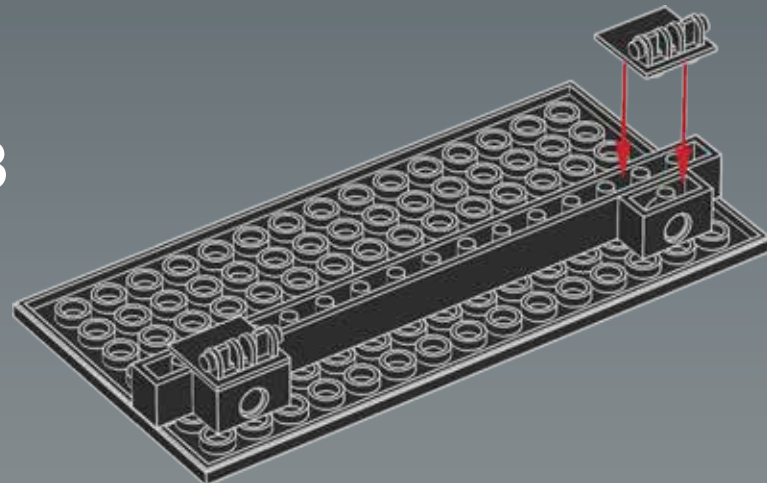
1



2

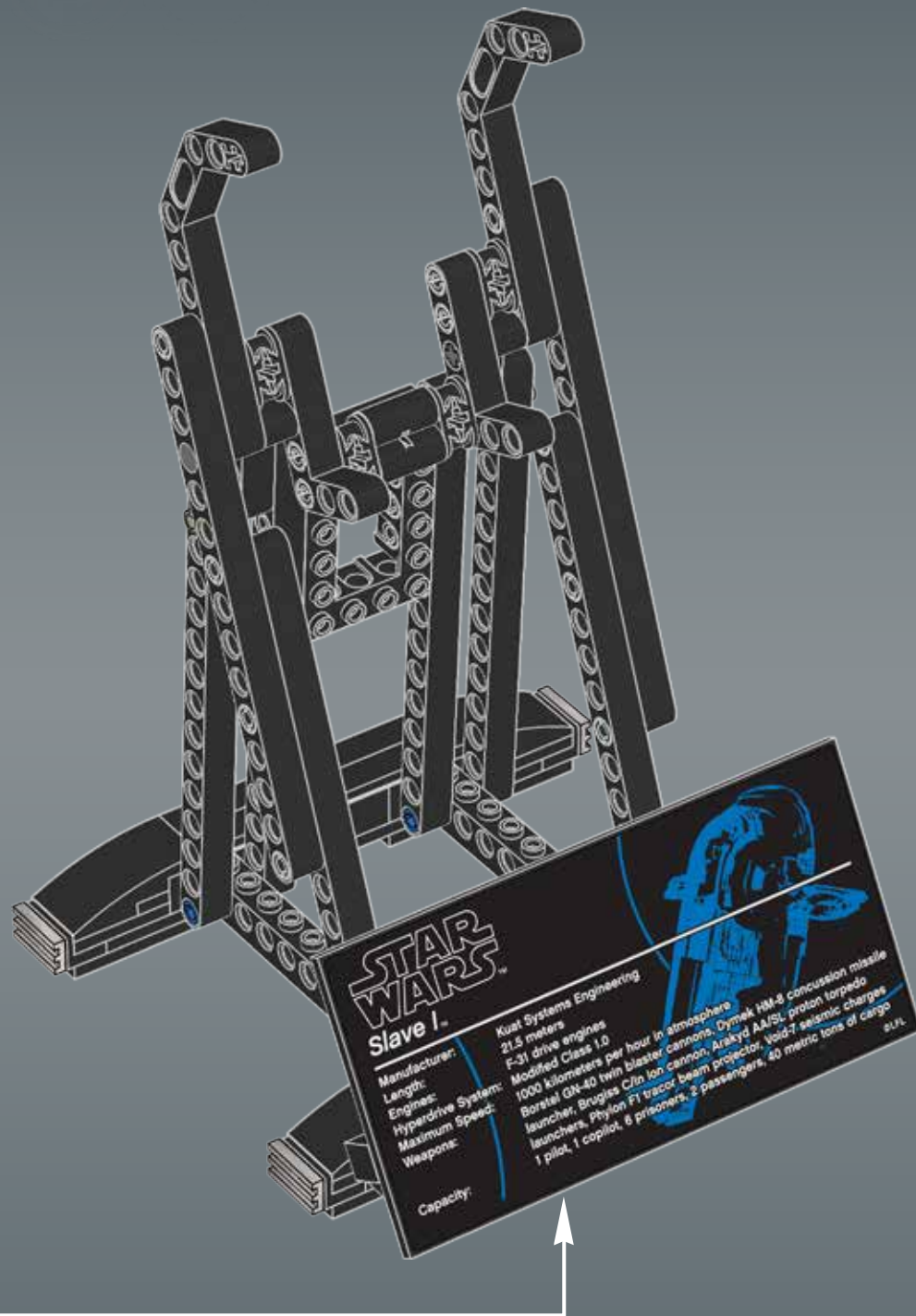


3



4



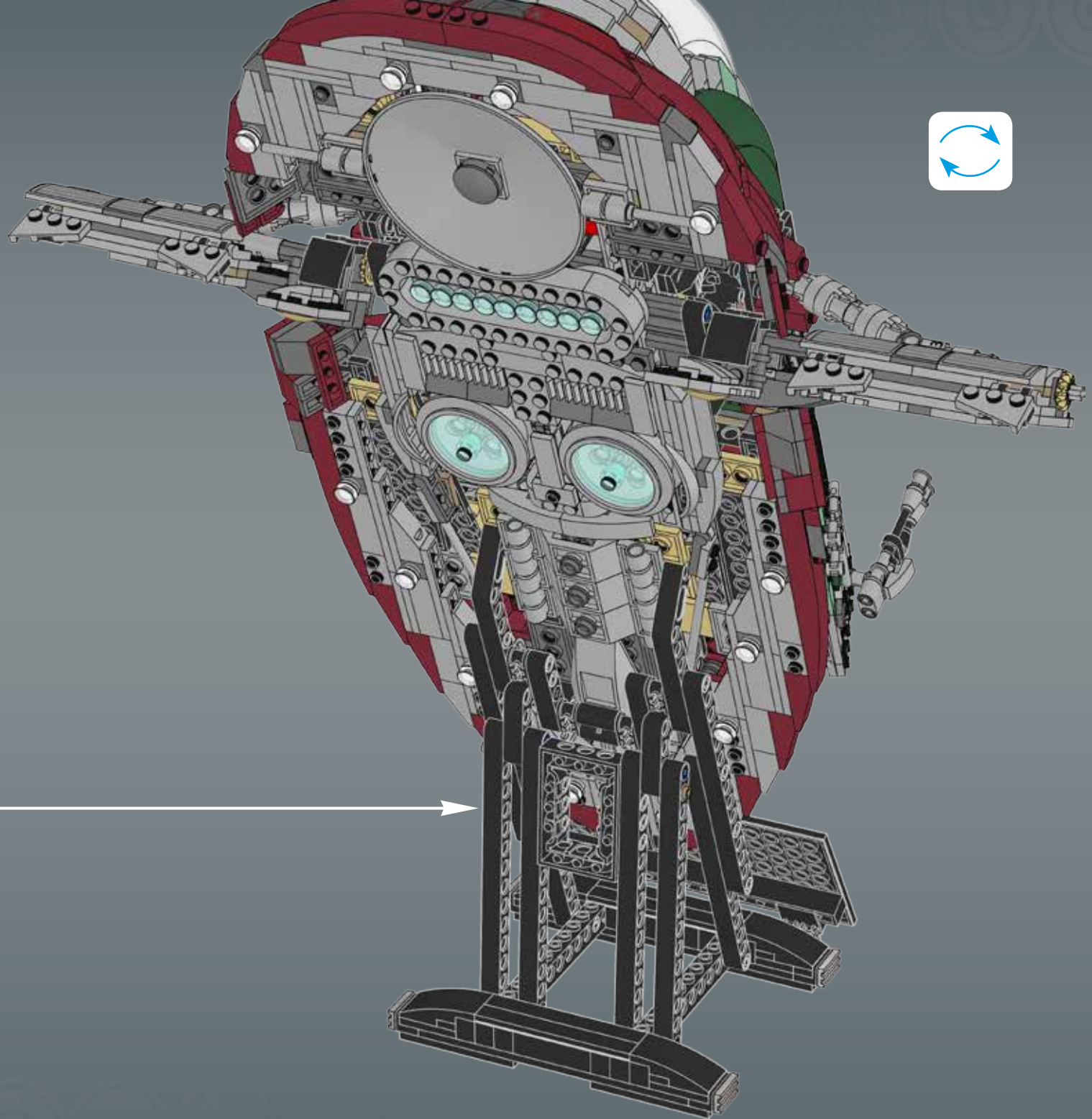


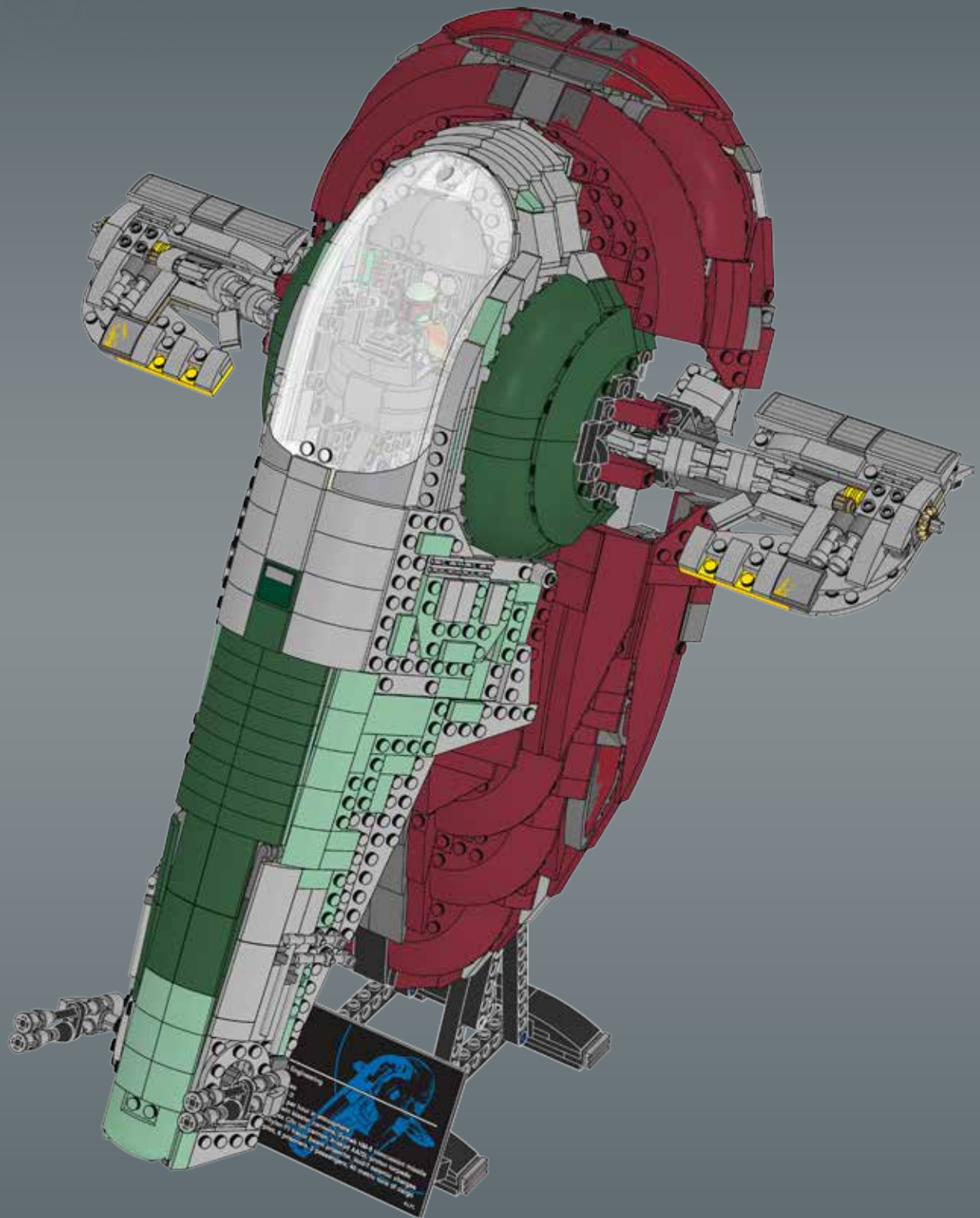
STAR WARS

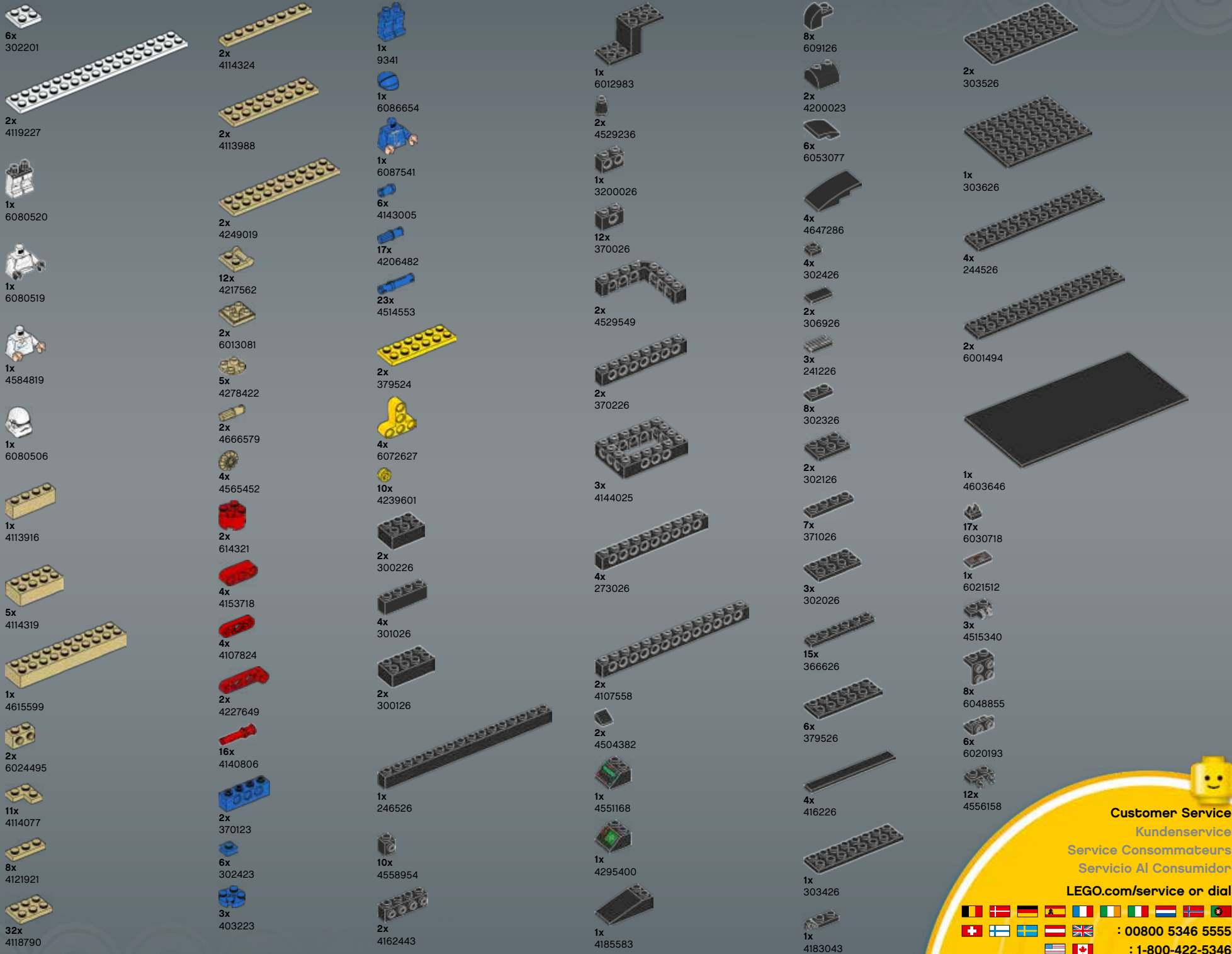
Slave I.

Manufacturer: Kuat Systems Engineering
Length: 21.5 meters
Engines: F-31 drive engines
Hyperdrive System: Modified Class 1.0
Maximum Speed: 1000 kilometers per hour in atmosphere
Weapons: Borstel GX-40 twin blaster cannons, Dymak HM-8 concussion missile launchers, Brugiss C/in ion cannon, Arakyd AA/SL proton torpedo launchers, Phylon F1 tractor beam projector, Void-7 seismic charges
Capacity: 1 pilot, 1 copilot, 6 prisoners, 2 passengers, 40 metric tons of cargo









6x 302201
 2x 4119227
 1x 6080520
 1x 6080519
 1x 4584819
 1x 6080506
 1x 4113916
 5x 4114319
 1x 4615599
 2x 6024495
 11x 4114077
 8x 4121921
 32x 4118790

2x 4114324
 2x 4113988
 2x 4249019
 12x 4217562
 2x 6013081
 5x 4278422
 2x 4666579
 4x 4565452
 2x 614321
 4x 4153718
 4x 4107824
 2x 4227649
 16x 4140806
 2x 370123
 6x 302423
 3x 403223

1x 9341
 1x 6086654
 1x 6087541
 6x 4143005
 17x 4206482
 23x 4514553
 2x 379524
 4x 6072627
 10x 4239601
 2x 300226
 4x 301026
 2x 300126
 1x 246526
 10x 4558954
 2x 4162443

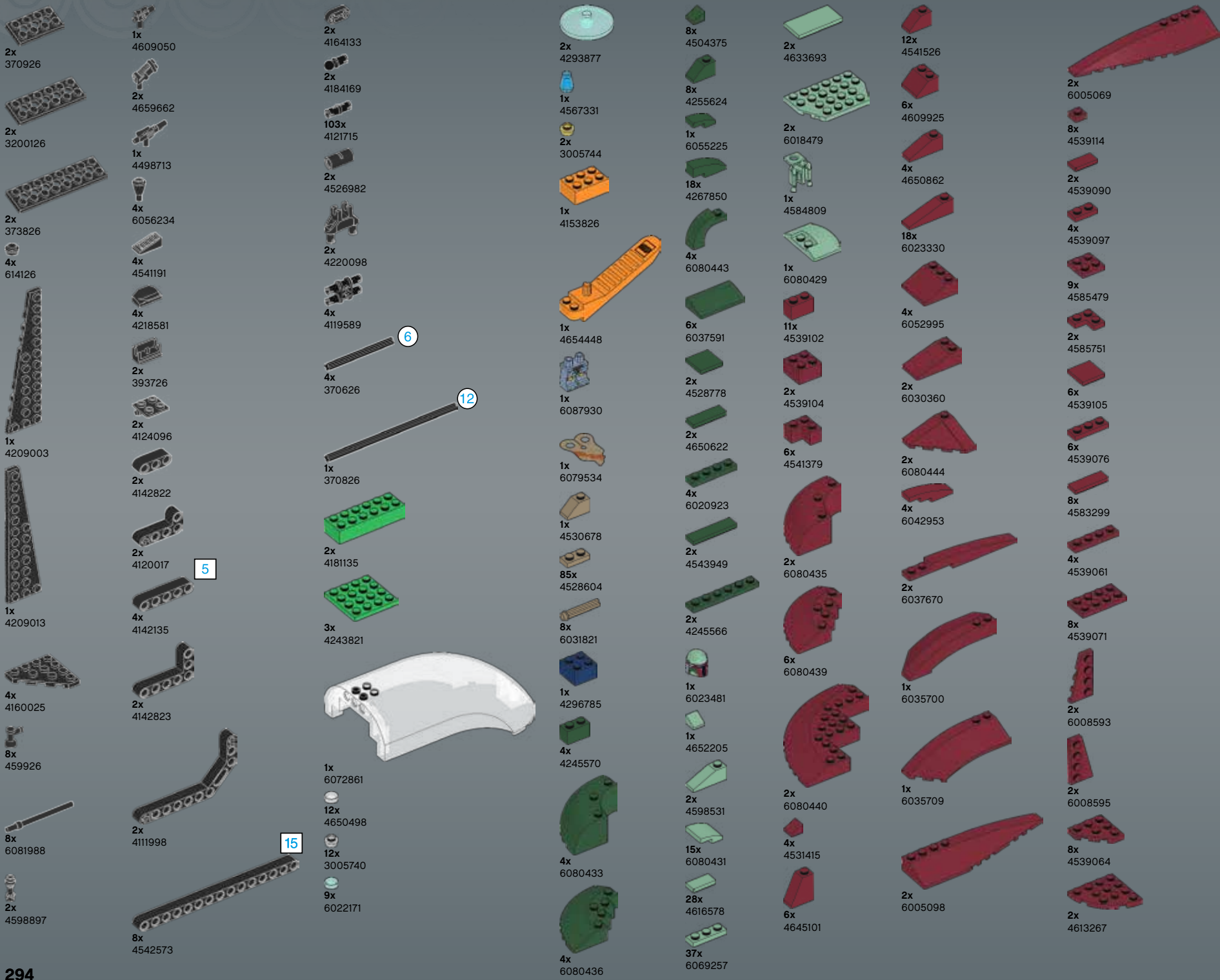
1x 6012983
 2x 4529236
 1x 3200026
 12x 370026
 2x 4529549
 2x 370226
 3x 4144025
 4x 273026
 2x 4107558
 2x 4504382
 1x 4551168
 1x 4295400
 1x 4185583

8x 609126
 2x 4200023
 6x 6053077
 4x 4647286
 4x 302426
 2x 306926
 3x 241226
 8x 302326
 2x 302126
 7x 371026
 3x 302026
 15x 366626
 6x 379526
 4x 416226
 1x 303426
 1x 4183043

2x 303526
 1x 303626
 4x 244526
 2x 6001494
 1x 4603646
 17x 6030718
 1x 6021512
 3x 4515340
 8x 6048855
 6x 6020193
 12x 4556158

Customer Service
 Kundenservice
 Service Consommateurs
 Servicio Al Consumidor
 LEGO.com/service or dial

: 00800 5346 5555
 : 1-800-422-5346



2x 370926
2x 3200126
2x 373826
4x 614126
1x 4209003
1x 4209013
4x 4160025
8x 459926
8x 6081988
2x 4598897

1x 4609050
2x 4659662
1x 4498713
4x 6056234
4x 4541191
4x 4218581
2x 393726
2x 4124096
2x 4142822
2x 4120017
4x 4142135
2x 4142823
2x 4111998
8x 4542573

5

2x 4164133
2x 4184169
103x 4121715
2x 4526982
2x 4220098
4x 4119589
4x 370626
1x 370826
2x 4181135
3x 4243821
1x 6072861
12x 4650498
12x 3005740
9x 6022171

6

12

2x 4293877
1x 4567331
2x 3005744
1x 4153826
1x 4654448
1x 6087930
1x 6079534
1x 4530678
85x 4528604
8x 6031821
1x 4296785
4x 4245570
4x 6080433
4x 6080436

8x 4504375
8x 4255624
1x 6055225
18x 4267850
4x 6080443
6x 6037591
2x 4528778
2x 4650622
4x 6020923
2x 4543949
2x 4245566
1x 6023481
1x 4652205
2x 4598531
15x 6080431
28x 4616578
37x 6069257

2x 4633693
2x 6018479
1x 4584809
1x 6080429
11x 4539102
2x 4539104
6x 4541379
2x 6080435
6x 6080439
2x 6080440
4x 4531415
6x 4645101

12x 4541526
6x 4609925
4x 4650862
18x 6023330
4x 6052995
2x 6030360
2x 6080444
4x 6042953
2x 6037670
1x 6035700
1x 6035709
2x 6005098

2x 6005069
8x 4539114
2x 4539090
4x 4539097
9x 4585479
2x 4585751
6x 4539105
6x 4539076
8x 4583299
4x 4539061
8x 4539071
2x 6008593
2x 6008595
8x 4539064
2x 4613267



3x
4211214



1x
4221886



1x
4211158



4x
6070266



4x
4211389



2x
4211388



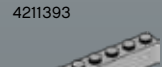
12x
4211428



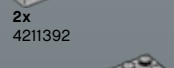
1x
4211385



1x
4211393



2x
4211392



2x
6037399



2x
4211521



2x
4641682



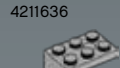
8x
6015344



12x
4657459



12x
4211636



3x
6028811



4x
4529241



2x
4211412



4x
4567448



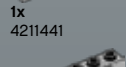
4x
4211440



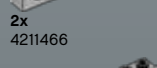
2x
4211529



1x
4211441



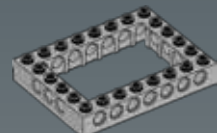
2x
4211466



7x
4211442



8x
4211374



3x
4211848



2x
4211443



3x
4521921



6x
4211437



11x
4211614



4x
4211410



4x
4234535



6x
4211488



10x
4211489



4x
4211517



2x
4211519



21x
6028813



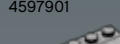
10x
4251163



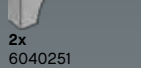
8x
6042950



6x
4597901



2x
6040251



1x
4180464



4x
4211399



12x
4211398



14x
4211414



13x
4211350



2x
6066097



6x
4211353



2x
4211413



1x
4565393



9x
4211429



11x
4558169



9x
4211396



2x
4211356



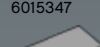
7x
4599498



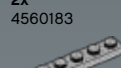
30x
4211445



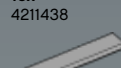
6x
6015347



2x
4560183



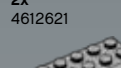
15x
4211438



3x
4211549



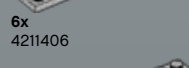
2x
4612621



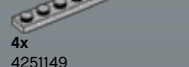
3x
4211452



6x
4211406



4x
4251149



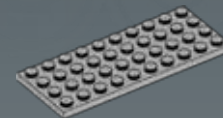
2x
4211407



4x
4211462



2x
4514846



1x
4211402



1x
4211401



2x
4541978



3x
4654580



4x
4654582



18x
4211568



7x
4244627



1x
4535738



8x
4211376



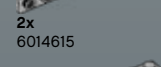
2x
6045988



3x
4211804



2x
6014615



2x
4211498



2x
6010686



2x
4650260



4x
4211732



5x
4211794



4x
4211735



5x
4211791



1x
4248833



2x
6071299



2x
4211628



4x
4282789



4x
4282789



1x
6087590



4x
4211658



4x
4657366



4x
4640844



2x
4211504



4x
4282786



1x
4211748



2x
4515351



2x
6028015



1x
4594243



4x
4211361



6x
4579294



1x
4248833



2x
6071299



2x
4211628



4x
4565433



1x
6087590



4x
4211658



4x
4657366



4x
4640844



2x
4211504



1x
4211748

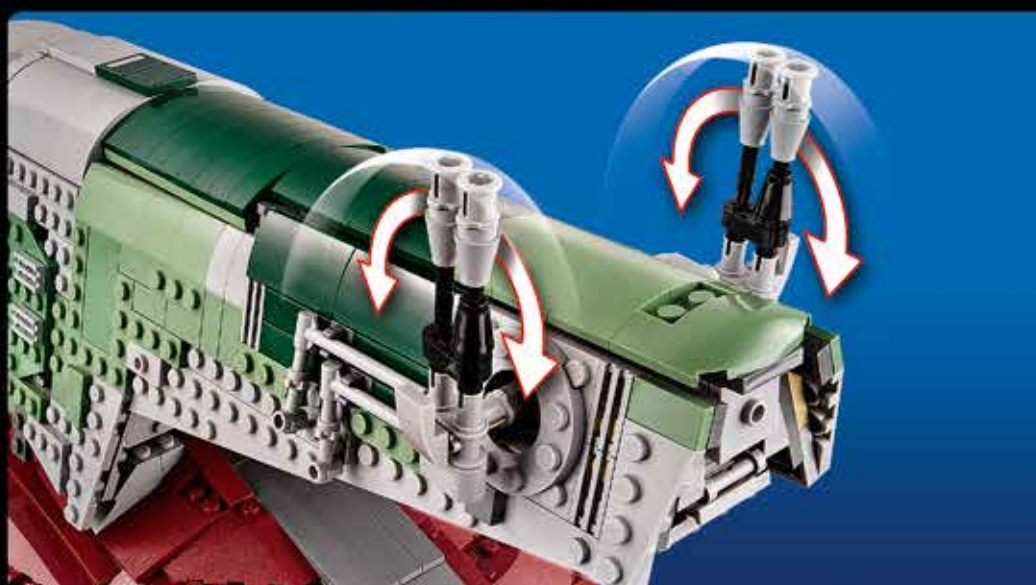
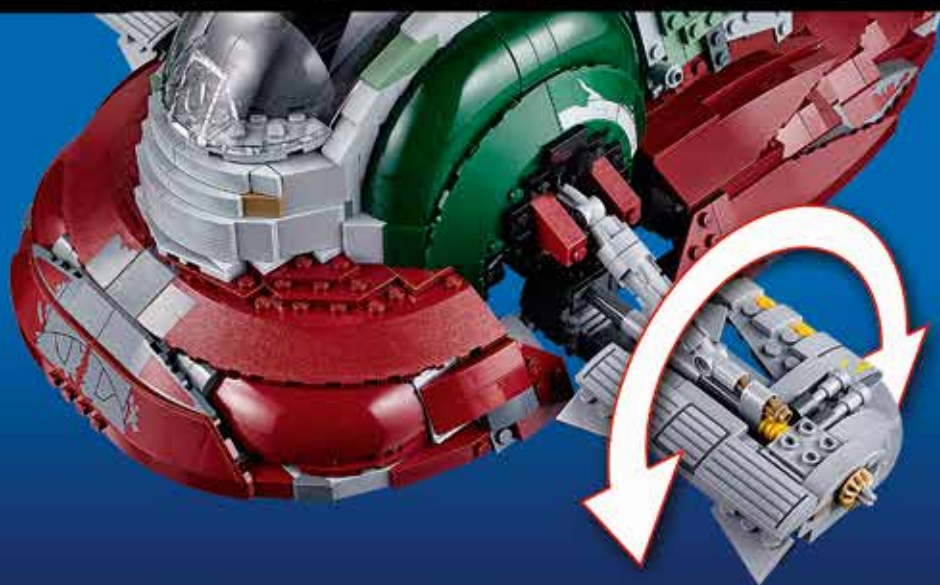
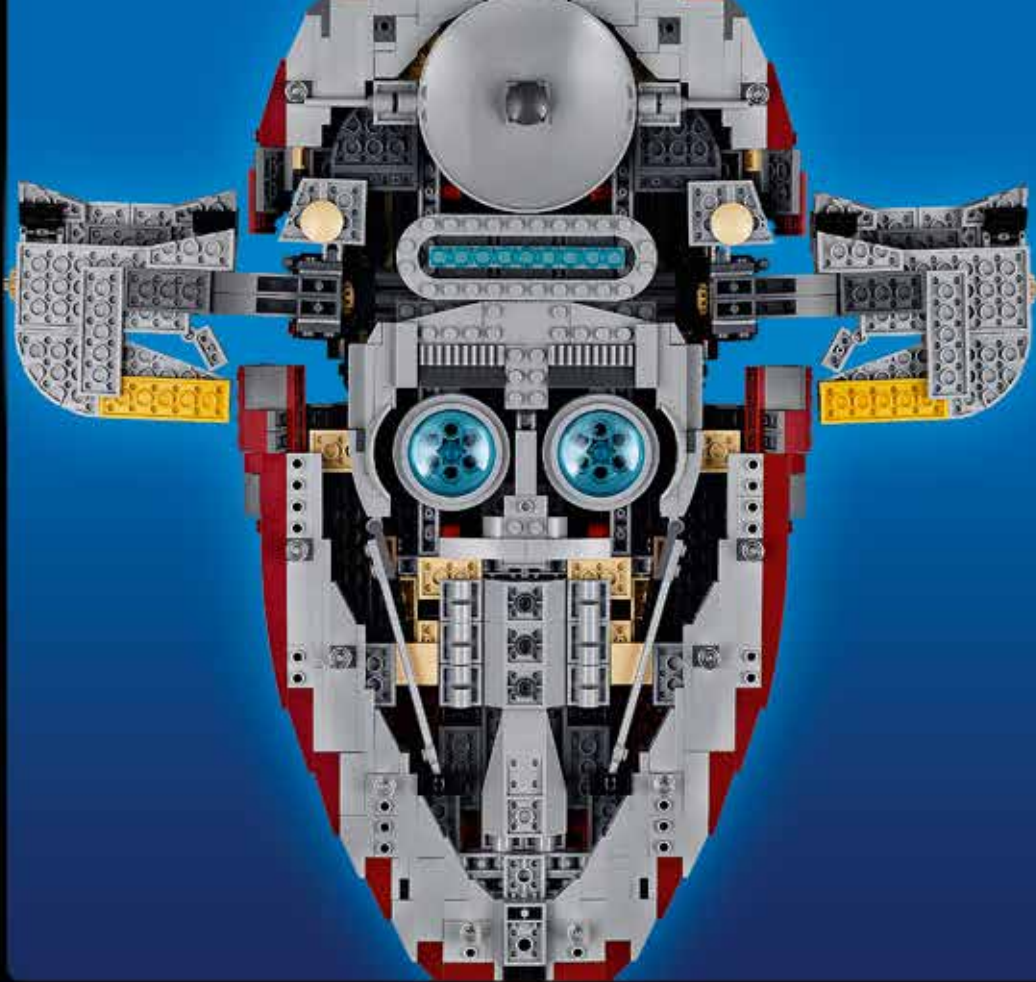
- 2x 4532589
- 1x 4211825
- 2x 4219256
- 2x 4211450
- 4x 4211862
- 4x 4495930
- 2x 6055628
- 2x 4551421
- 2x 4211483
- 6x 4211622
- 4x 4211552
- 8x 4278756
- 4x 4526985
- 3x 4211815
- 2x 4211888
- 2x 4210963
- 2x 4211639
- 3x 4211805
- 6x 4211060
- 4x 4211104
- 4x 4211105
- 2x 4211103
- 12x 4211085
- 10x 4213574
- 14x 4210725
- 2x 6018581
- 6x 4210639
- 6x 4210935
- 4x 4210917
- 5
- 7
- 7
- 3

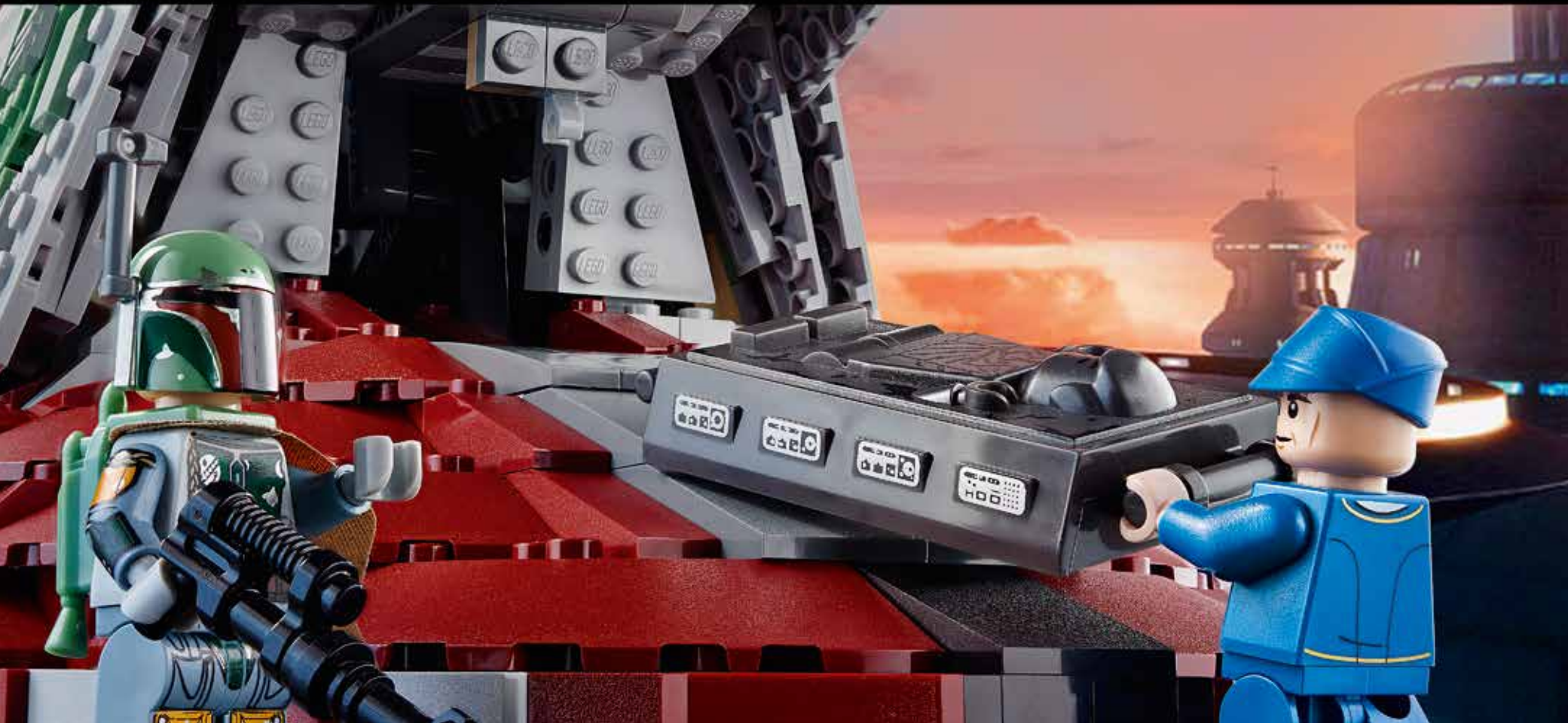
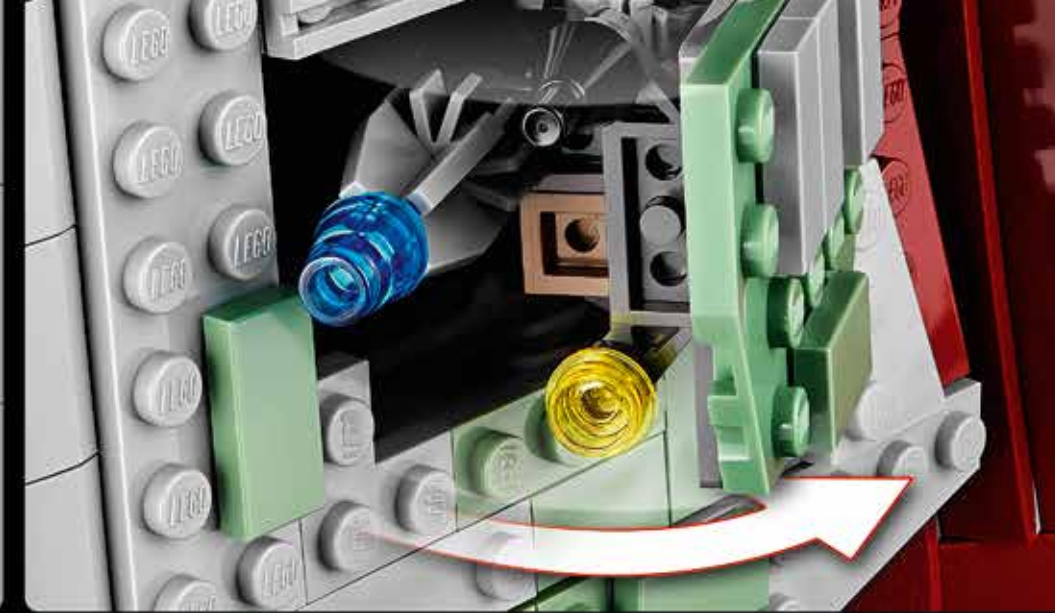
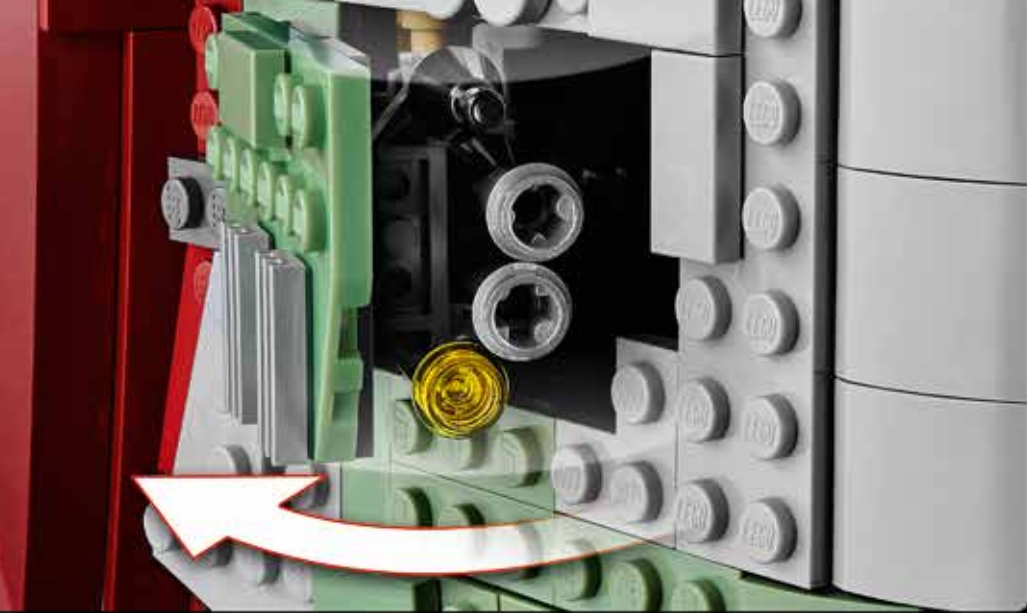
- 6x 4567887
- 4x 6069164
- 2x 4211000
- 2x 4210702
- 1x 4211106
- 5x 4210637
- 4x 4210797
- 4x 6029948
- 5x 6071261
- 4x 4618881
- 4x 4210779
- 4x 6037666
- 2x 6063685
- 2x 6063681
- 2x 4210719
- 2x 4210848
- 1x 4211063
- 6x 4211119
- 10x 4210631
- 17x 4211094
- 1x 4211055
- 21x 4211001
- 1x 4598769
- 2x 6039176
- 10x 4211065
- 9x 4211056
- 4x 4243831
- 1x 4509911
- 4x 4539429
- 1x 4211002

- 4x 4211115
- 2x 4257526
- 1x 4211061
- 2x 4211122
- 7x 4211067
- 1x 4210802
- 1x 4210706
- 2x 6000970
- 4x 6030710
- 1x 4210892
- 2x 4210726
- 4x 4210660
- 2x 4210883
- 10x 6047417
- 11x 4521187
- 2x 6086709
- 4x 4648067
- 10x 4227398
- 7x 4210633
- 1x 4211042
- 1x 4278274
- 2x 4528323
- 1x 4210984
- 4x 4222042
- 4x 4210667
- 2x 4495931

- 6x 6019987
- 3x 4210660
- 2x 4210883
- 10x 6047417
- 11x 4521187
- 2x 6086709
- 4x 4648067
- 10x 4227398
- 7x 4210633
- 1x 4211042
- 1x 4278274
- 2x 4528323
- 1x 4210984
- 4x 4222042
- 4x 4210667
- 2x 4495931
- 4x 4645730
- 2x 6006141
- 2x 4210857
- 12x 4516546
- 4x 6015356
- 3x 6083620
- 2x 4508553
- 2x 6012451
- 1x 6004908
- 1x 6021888
- 1x 6087536
- 1x 6087598
- 1x 4634079

- 9
- 4x 4619636
- 2x 4655241
- 18x 4633691
- 1x 6034982
- 2x 6051385
- 4
- 5.5
- 7







75059 Sandcrawler™