

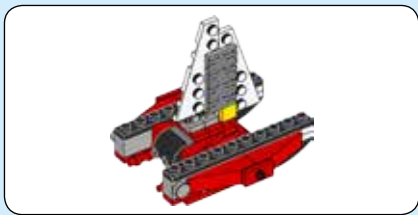


CREATOR

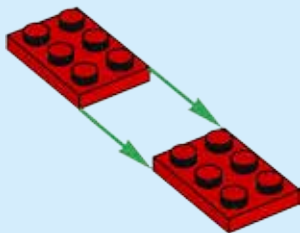
31057



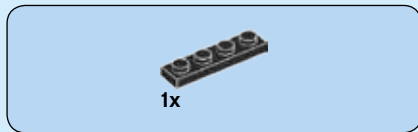
LEGO.com/creator



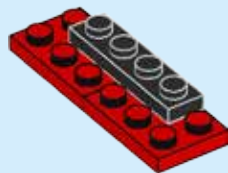
1

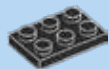


2



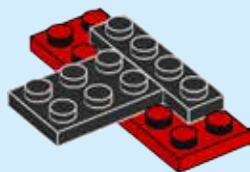
2





1x

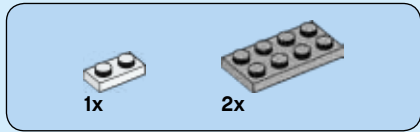
3



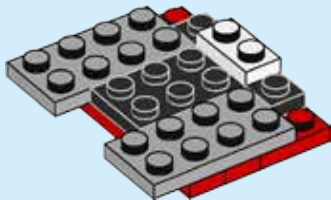
2x

4





5

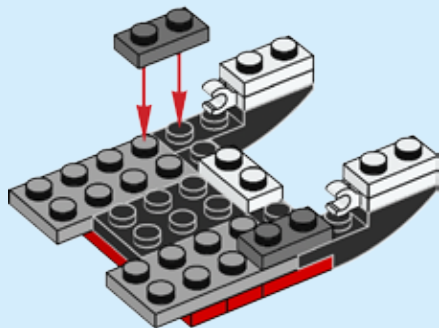


4



2x

7

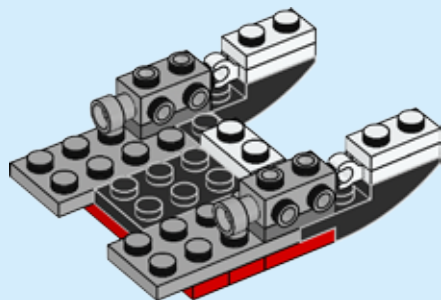


6



2x

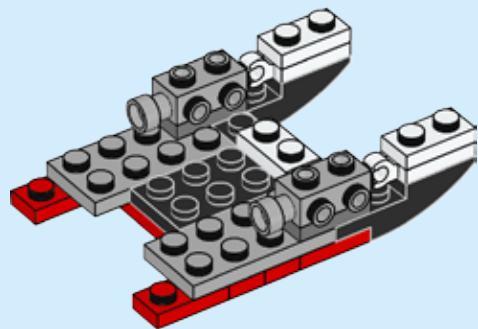
8





2x

9

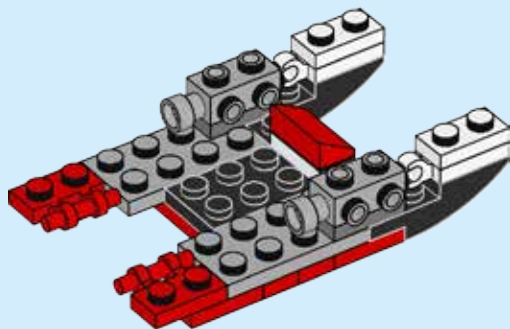


2x



1x

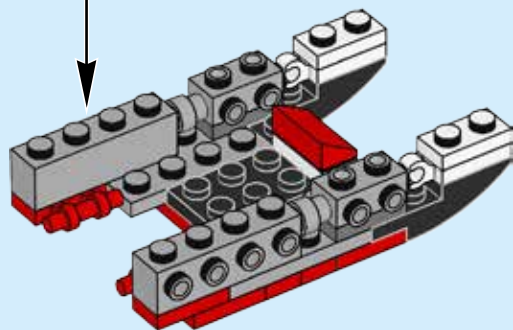
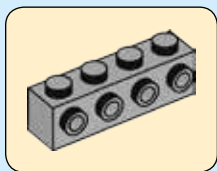
10





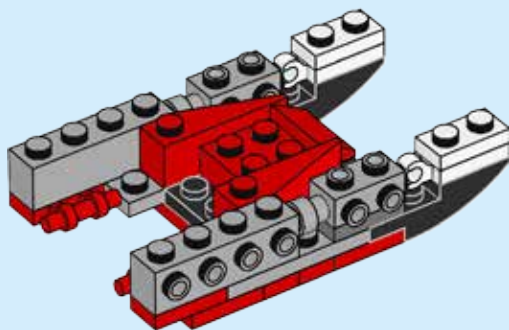
2x

11



1x

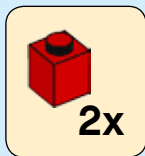
12



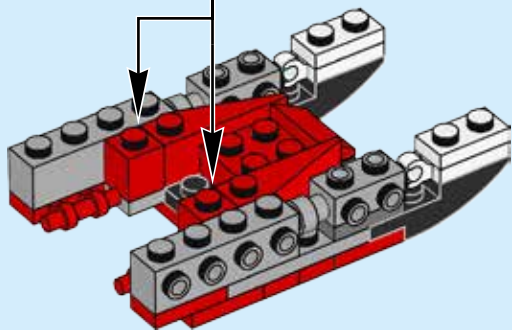


2x

13

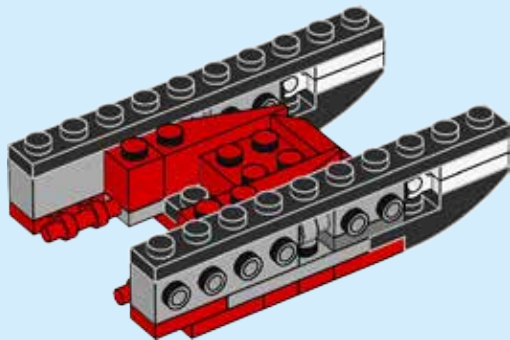


2x



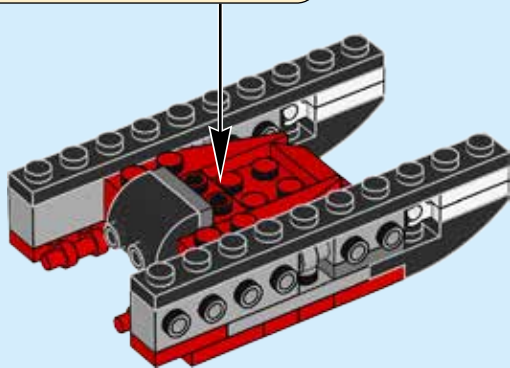
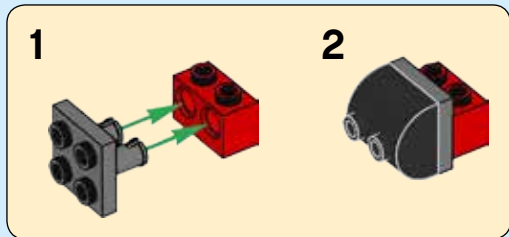
2x

14





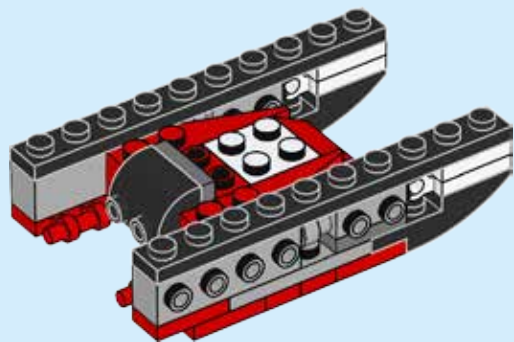
15





1x

16

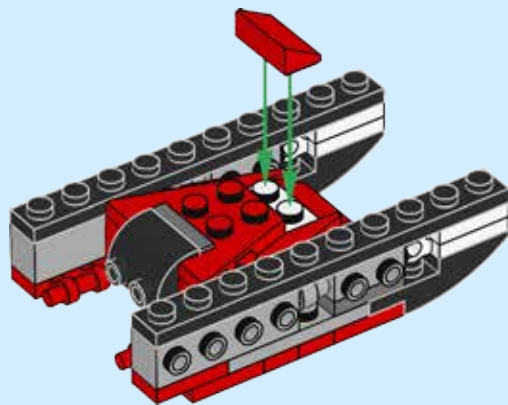


1x



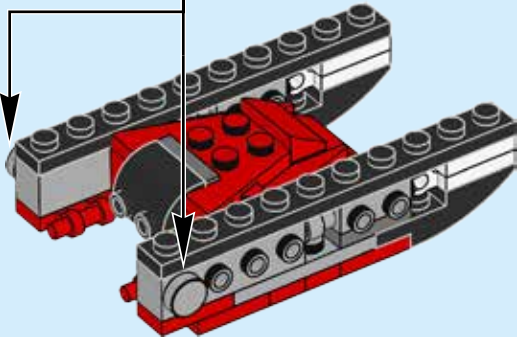
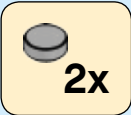
1x

17

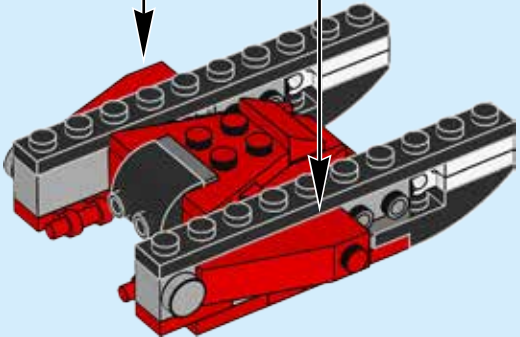
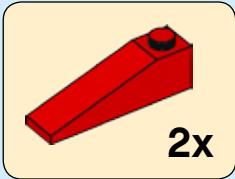


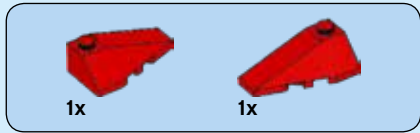


18

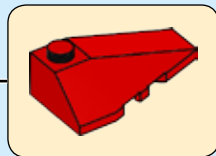
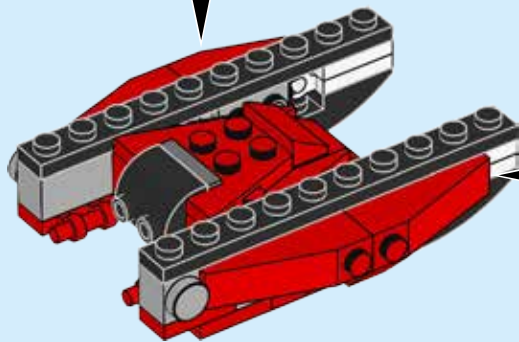
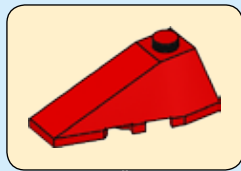


19



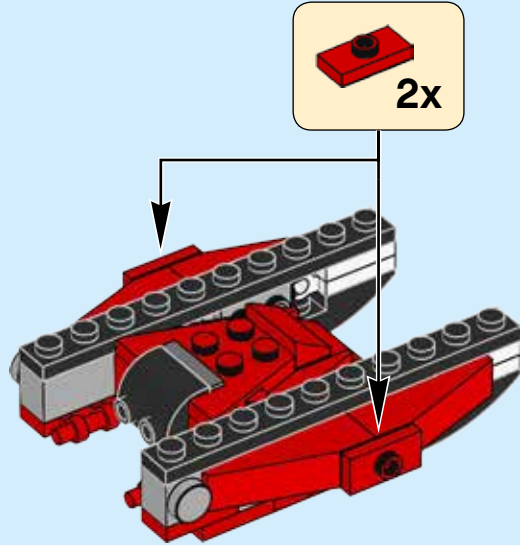


20





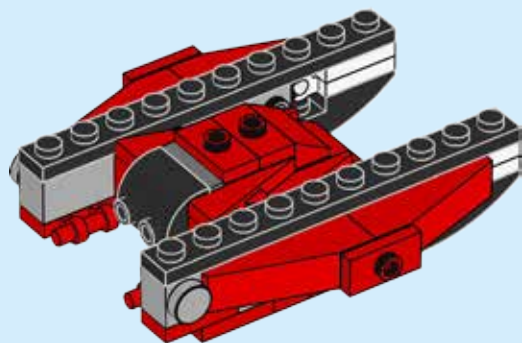
21





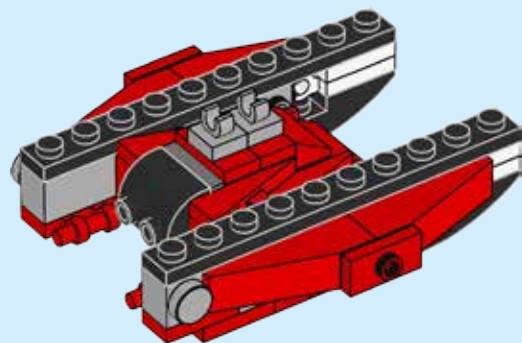
2x

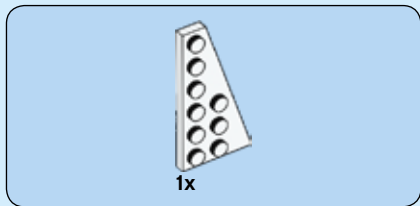
22



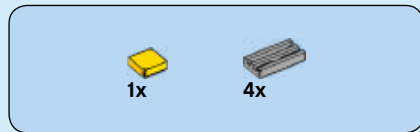
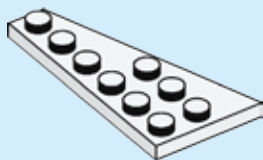
2x

23

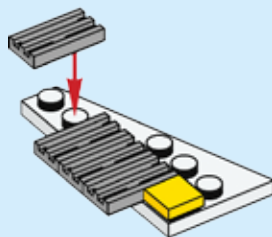


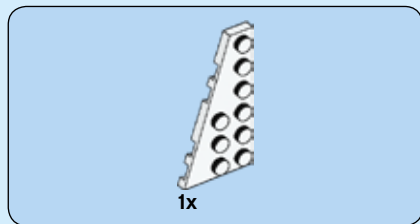


24

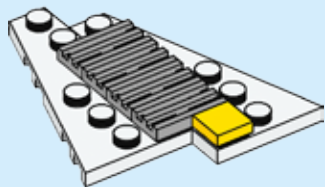


25

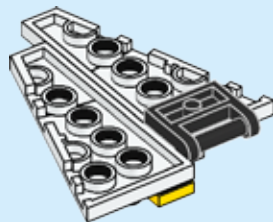
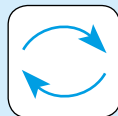




26



27



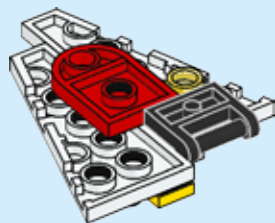


1x



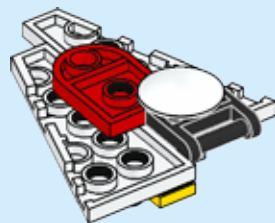
1x

28

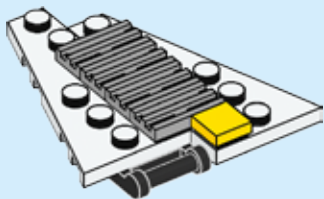
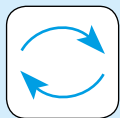


1x

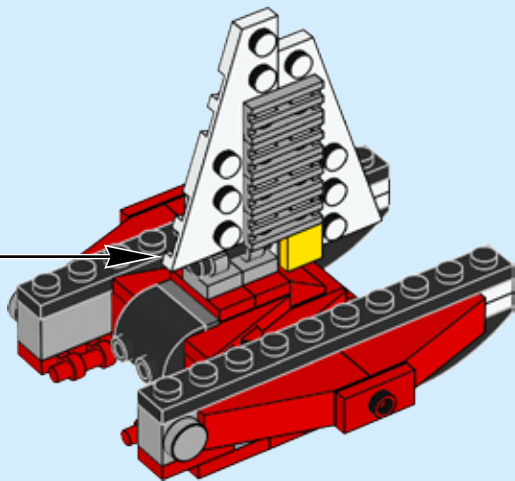
29



30



31



3 IN 1



LEGO and the LEGO logo are trademarks of the/son des marques de commerce
du/son marcas registradas de LEGO Group. ©2017 The LEGO Group. 6187238

LEGO.com/creator