



THE
LEGO
MOVIE

30620



6270813



LEGO.com/movie2

LEGO.com/service

THE LEGO® MOVIE 2™ © & ™ Warner Bros. Entertainment Inc. & The LEGO Group. LEGO, the LEGO logo, DUPLO, the Minifigure and the Brick and Knob configurations are trademarks and/or copyrights of the LEGO Group. ©2019 The LEGO Group. All rights reserved. WB SHIELD. TM & © WBEL. (s19) 6270813



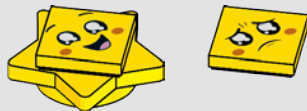
THE
LEGO
MOVIE



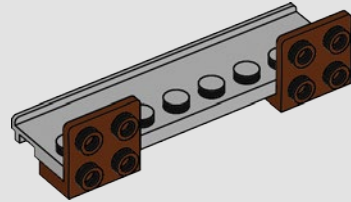
1



2



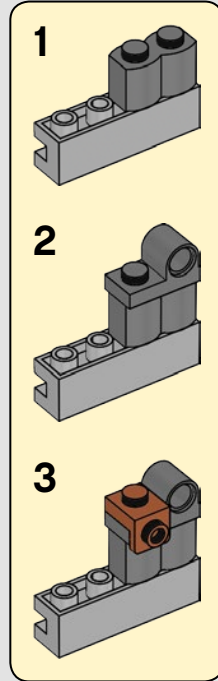
1



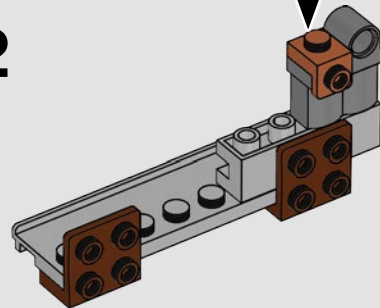
1

2

3



2

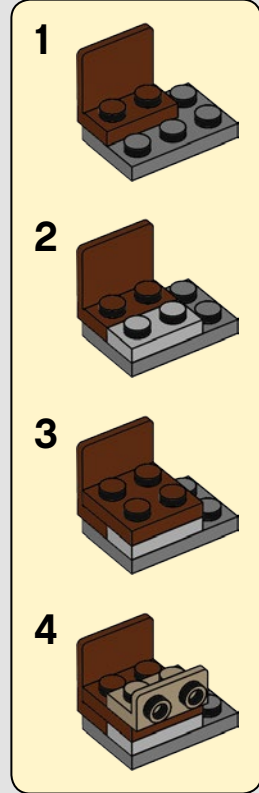


1

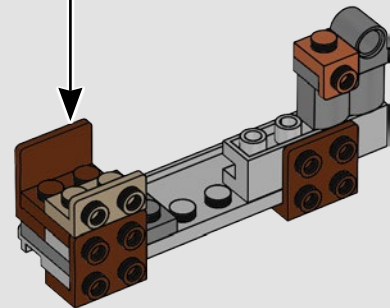
2

3

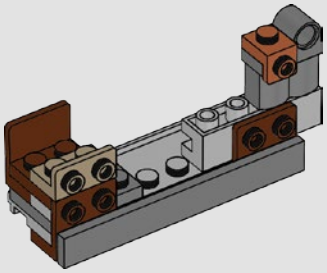
4



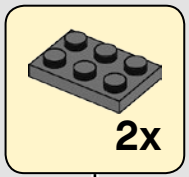
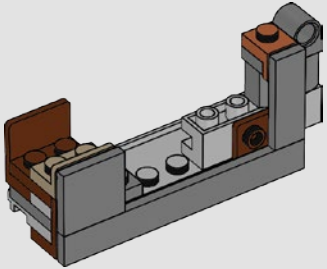
3



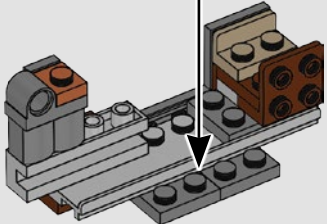
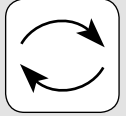
4



5

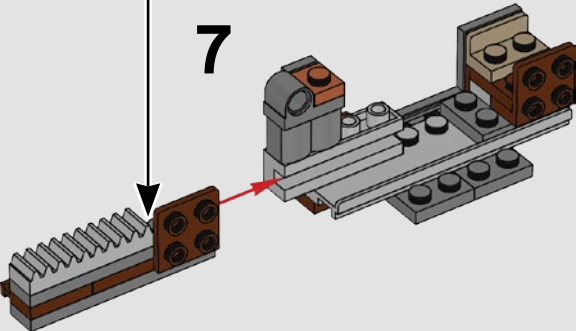


6

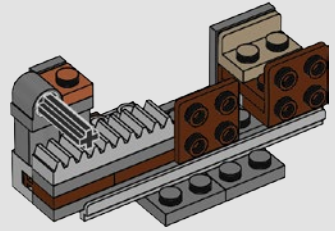


- 1
- 2
- 3
- 4

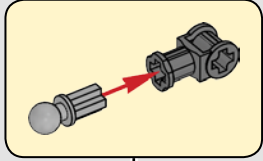
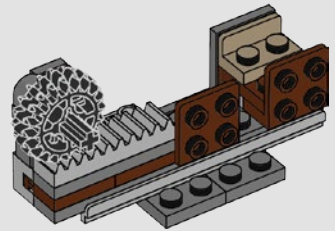
7



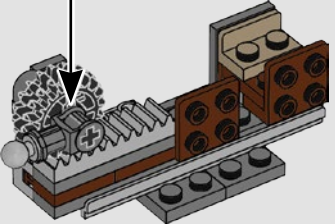
8



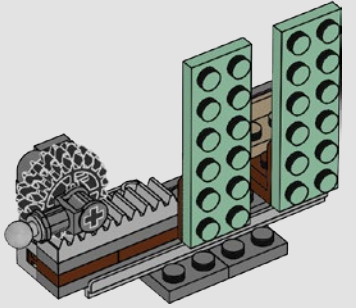
9



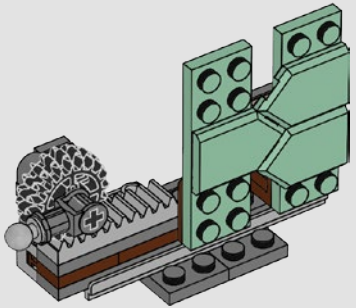
10



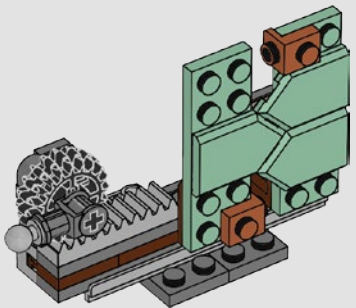
11



12



13



14

