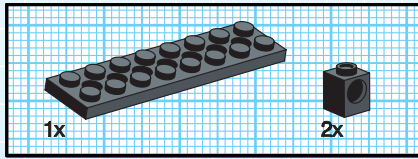
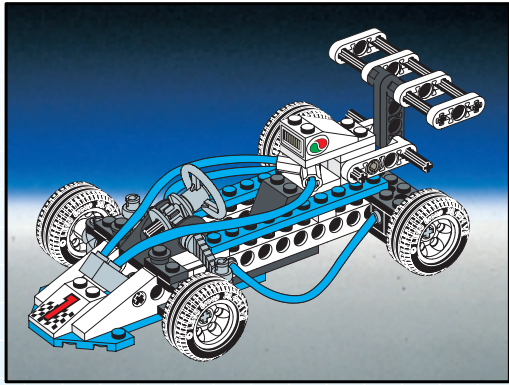




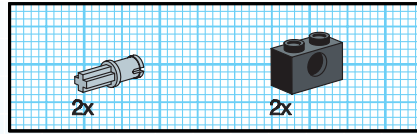
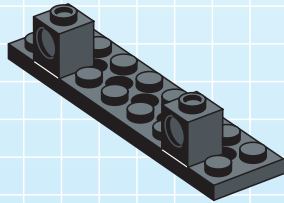
Technic

8216

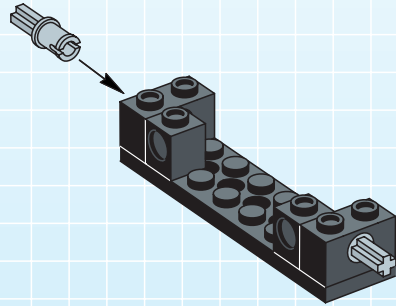


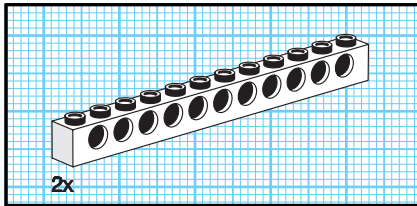


1

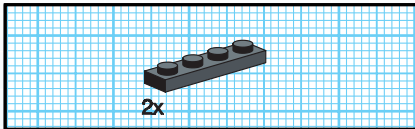
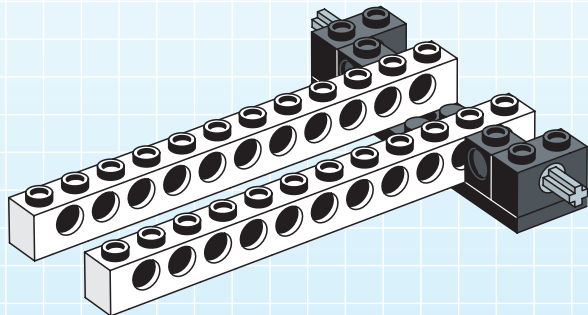


2

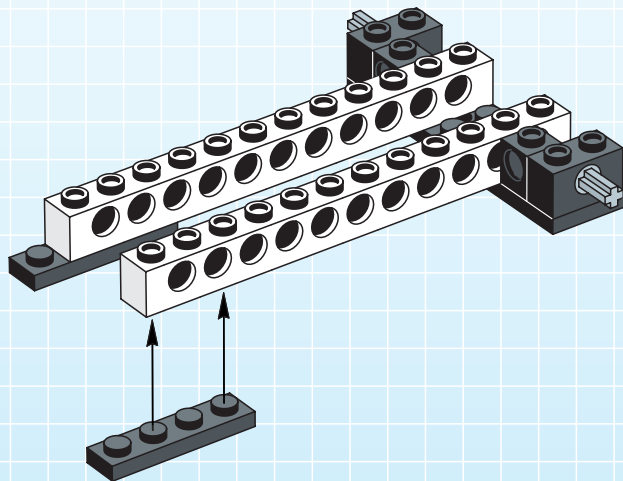


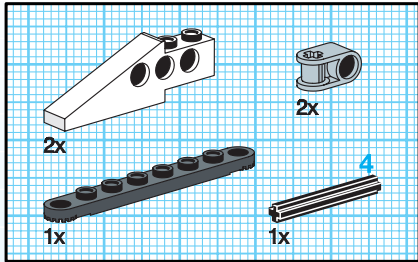


3

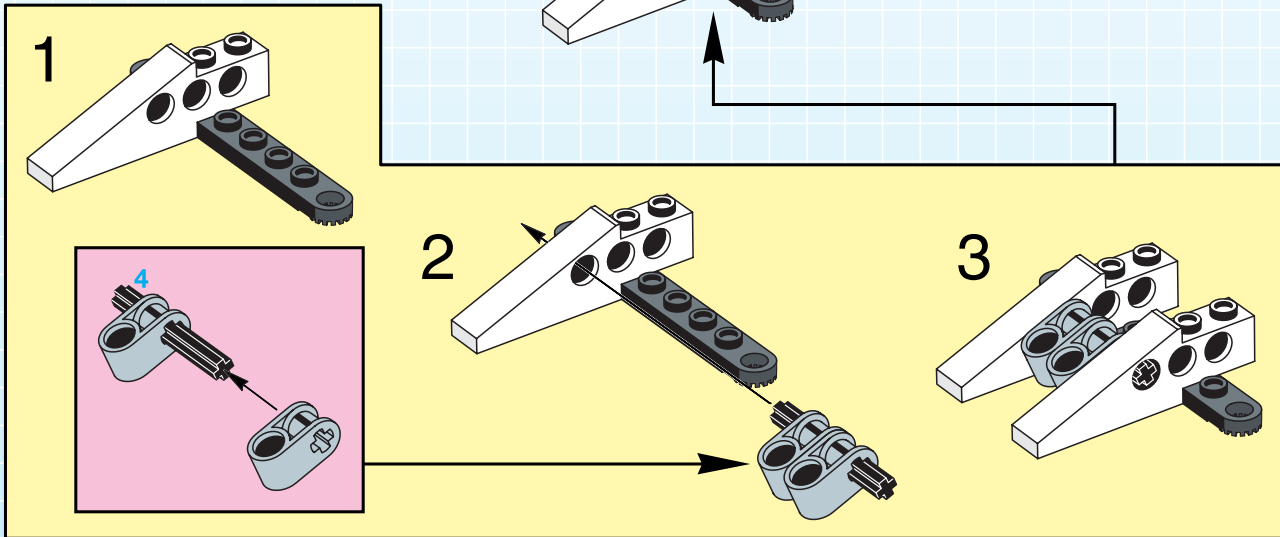
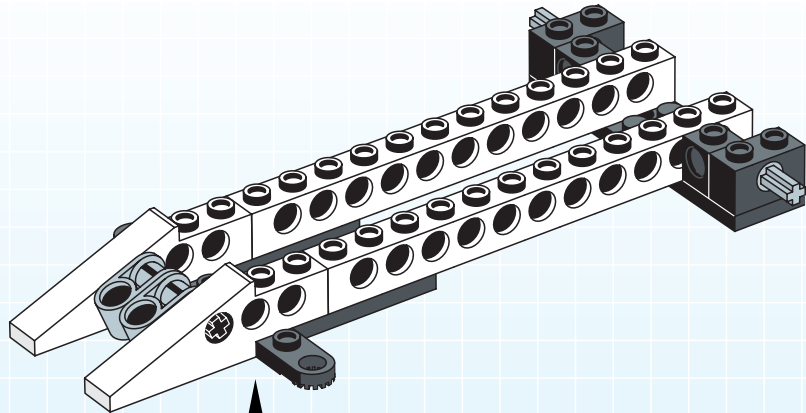


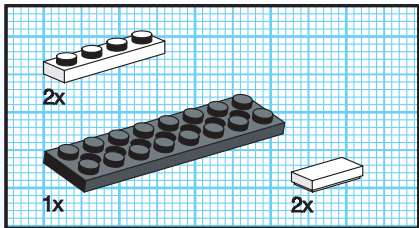
4



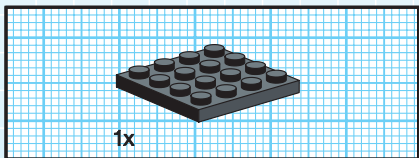
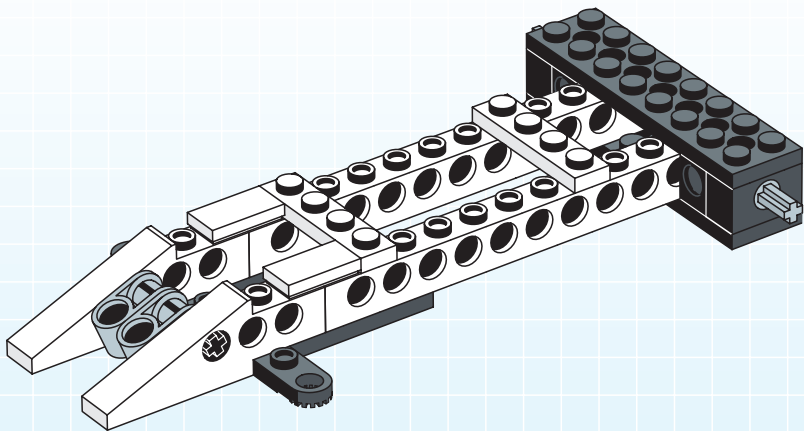


5

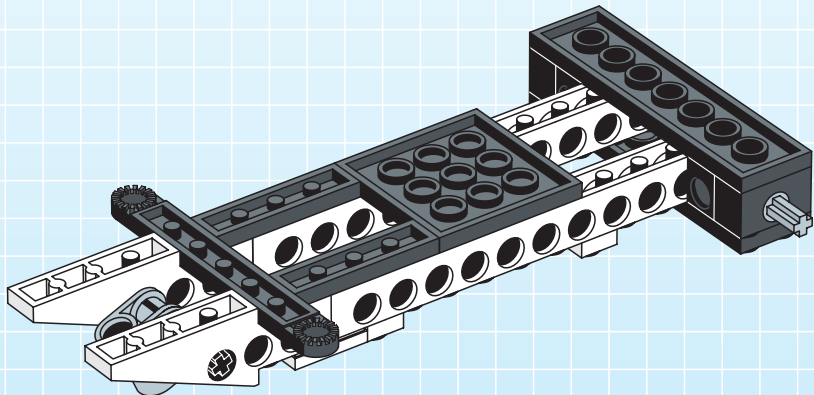


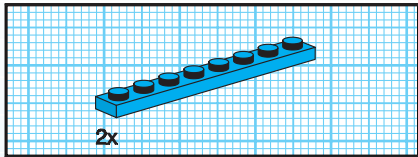


6

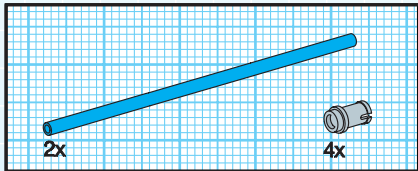


7

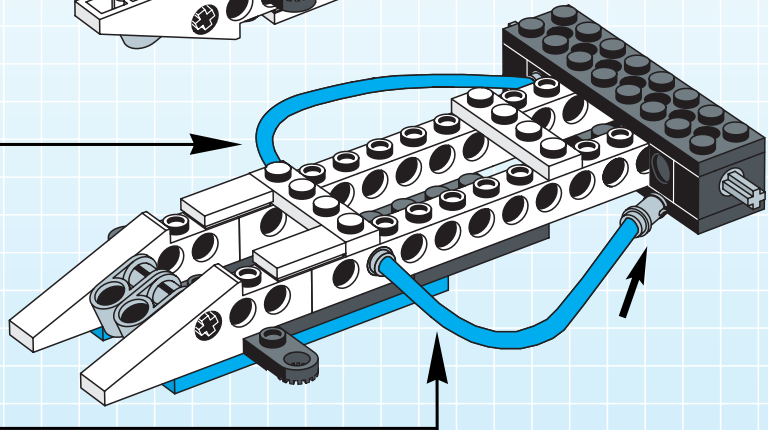
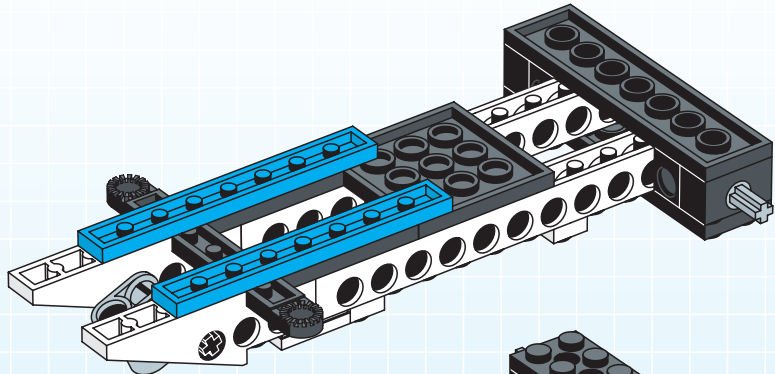
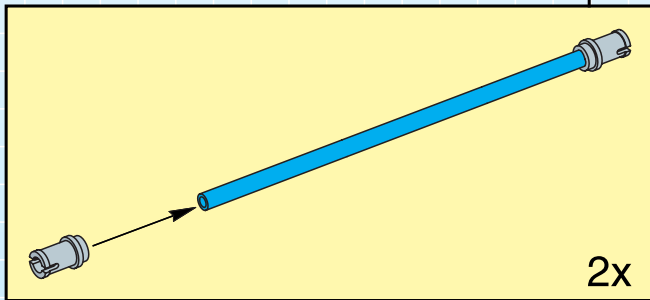


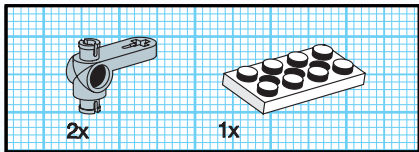


8

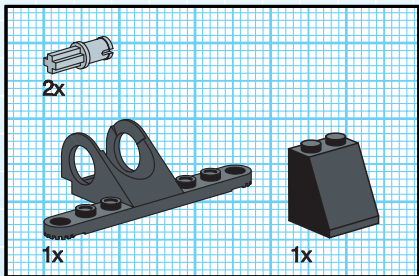
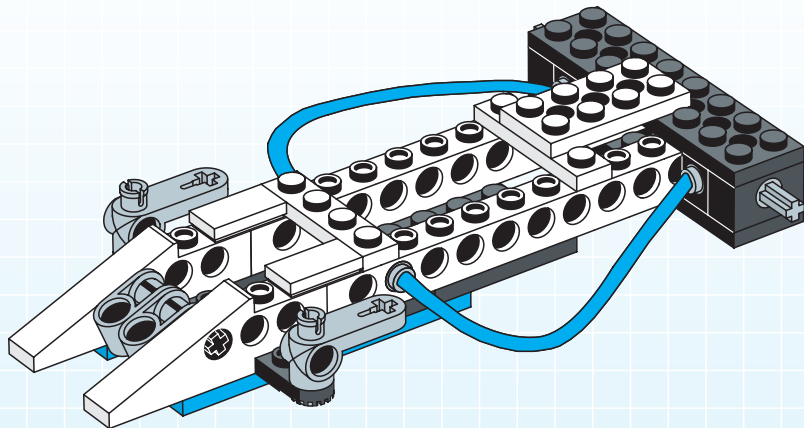


9

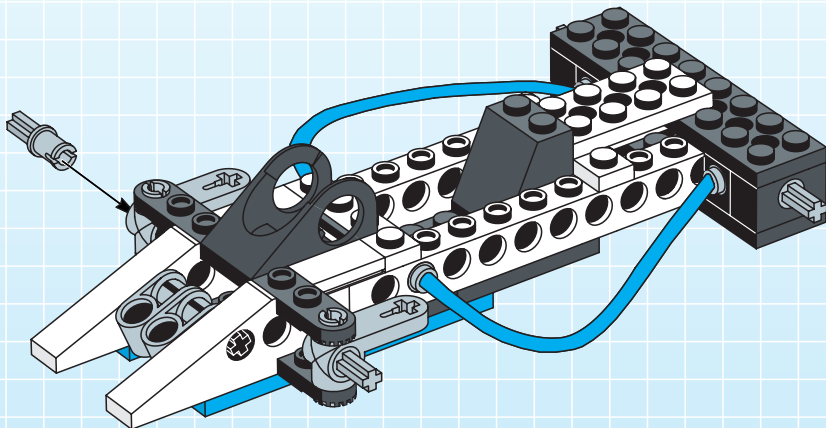


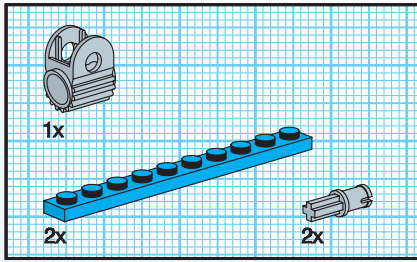


10

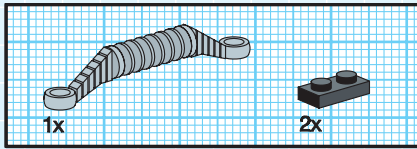


11

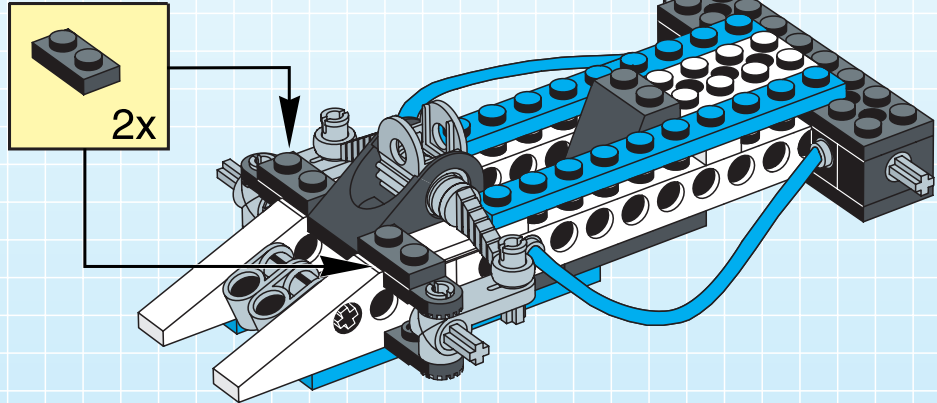
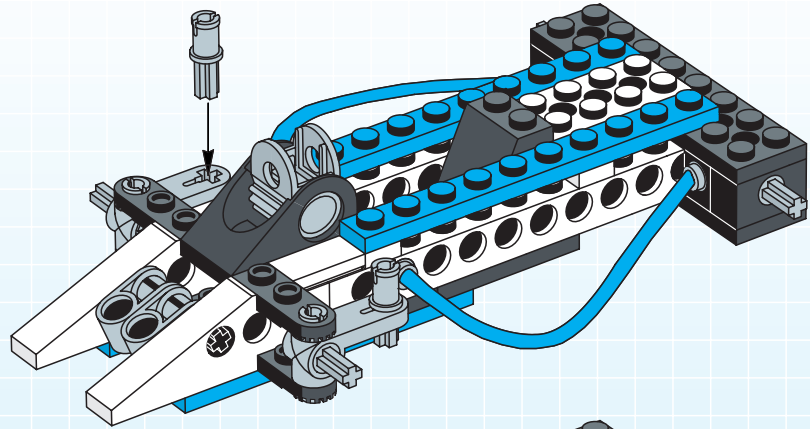


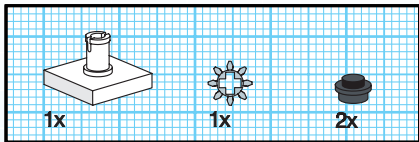


12

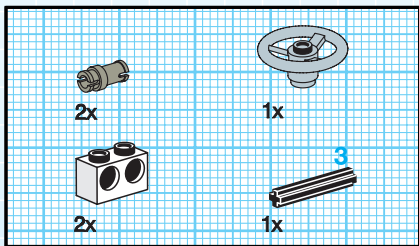
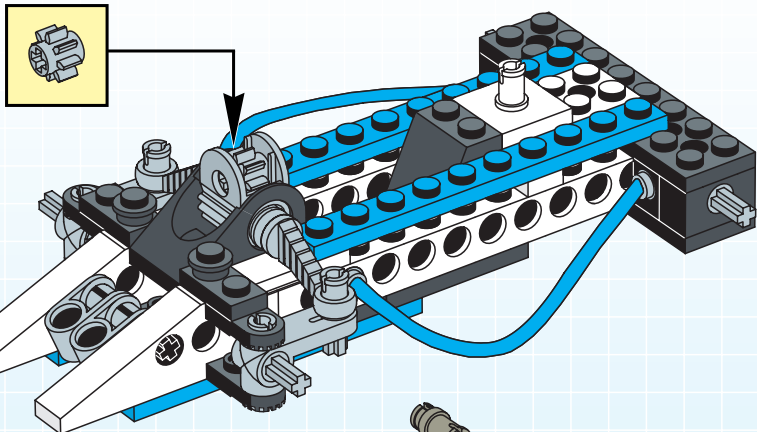


13

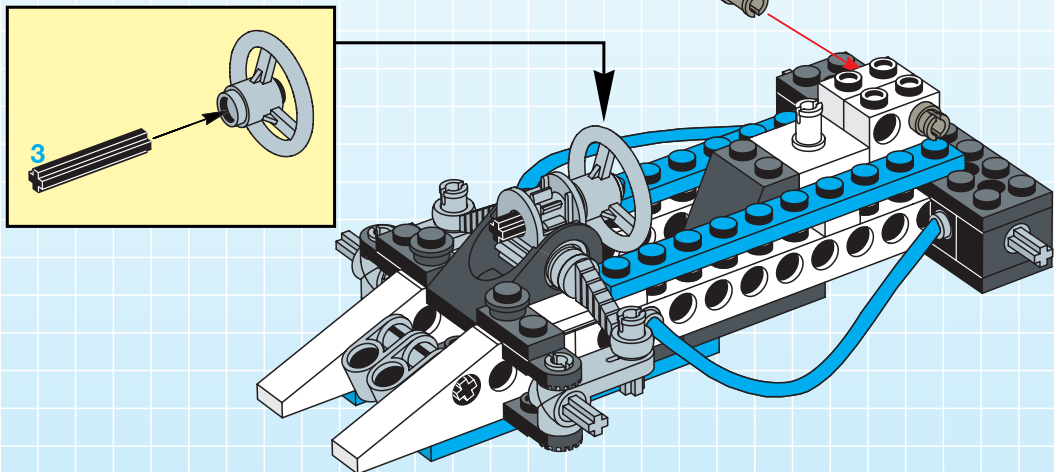


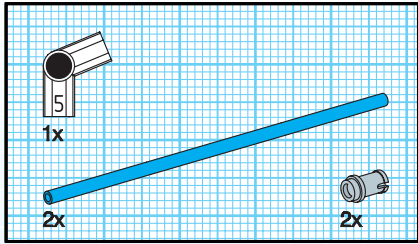


14

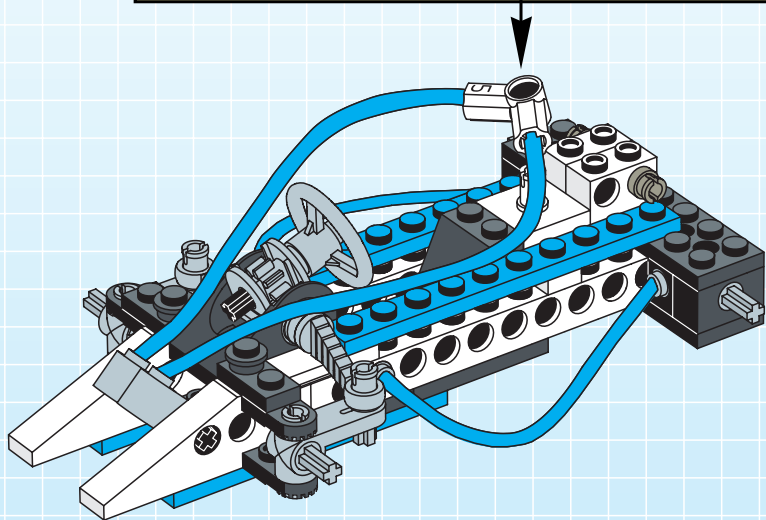
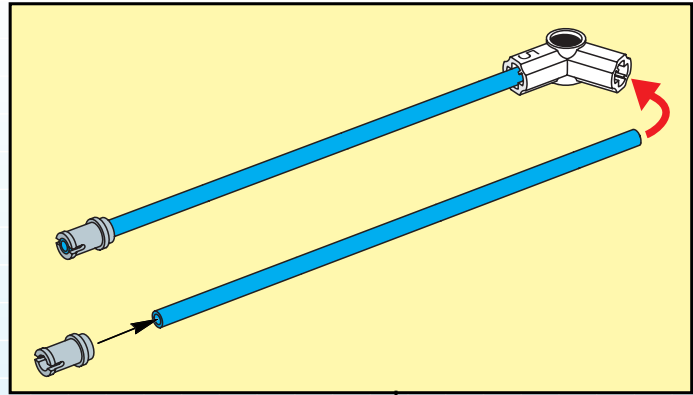


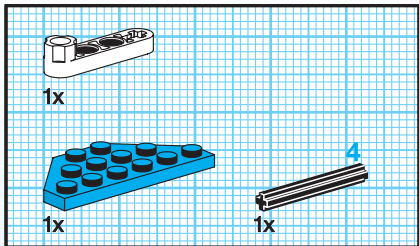
15



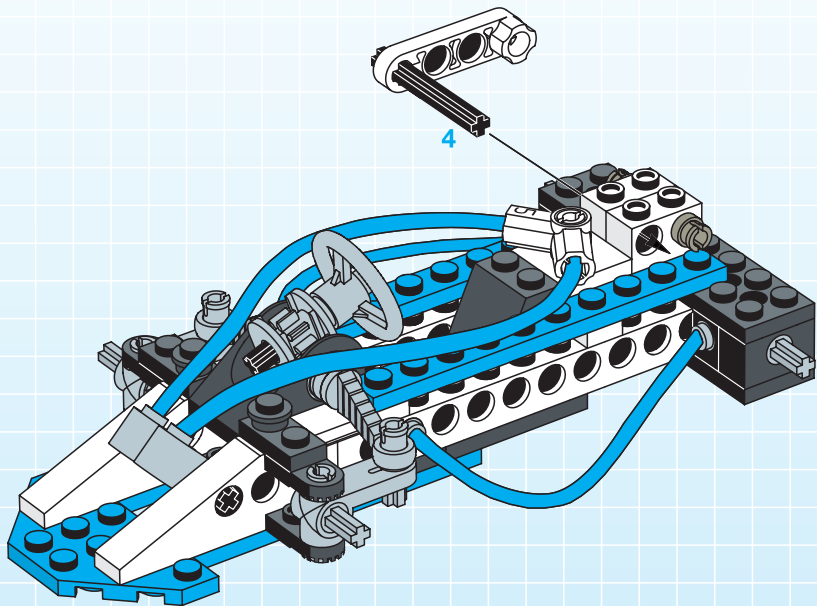


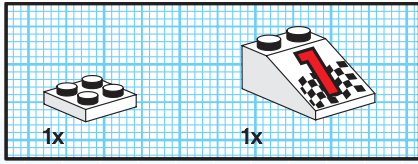
16



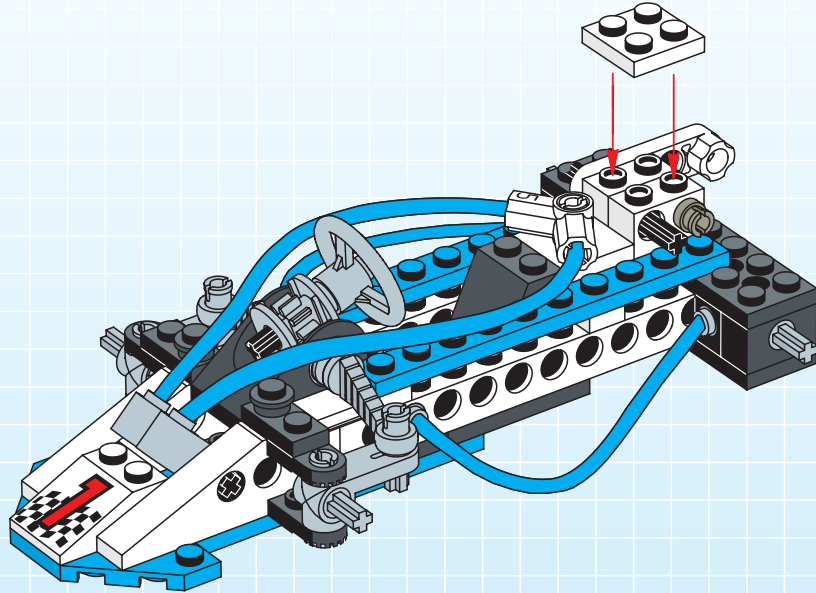


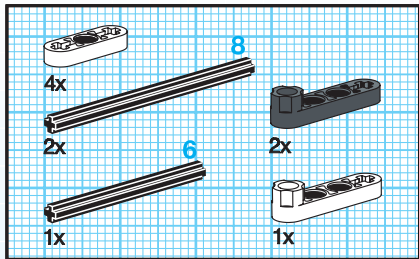
17



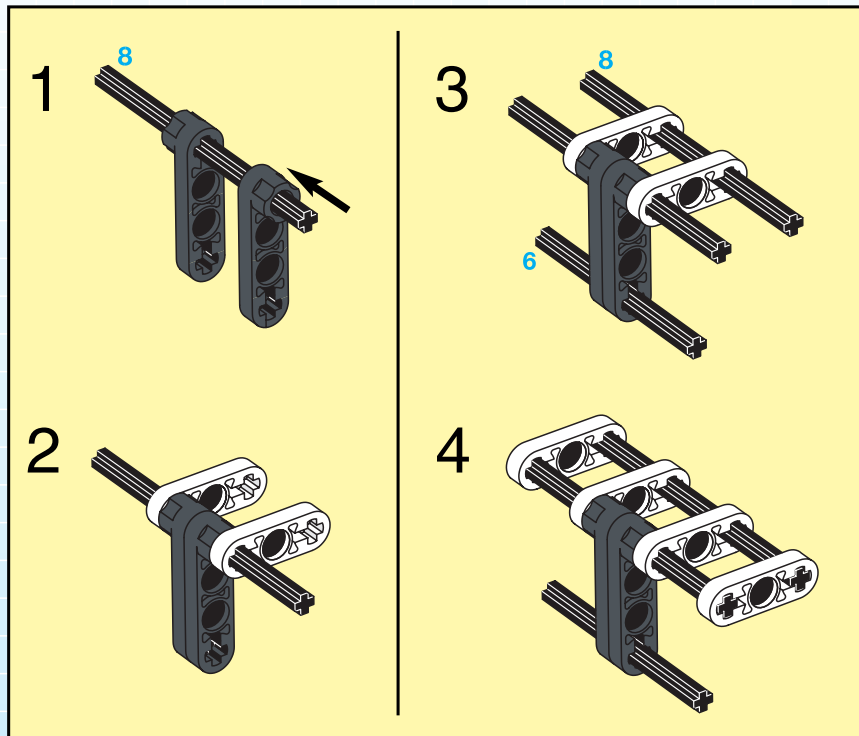


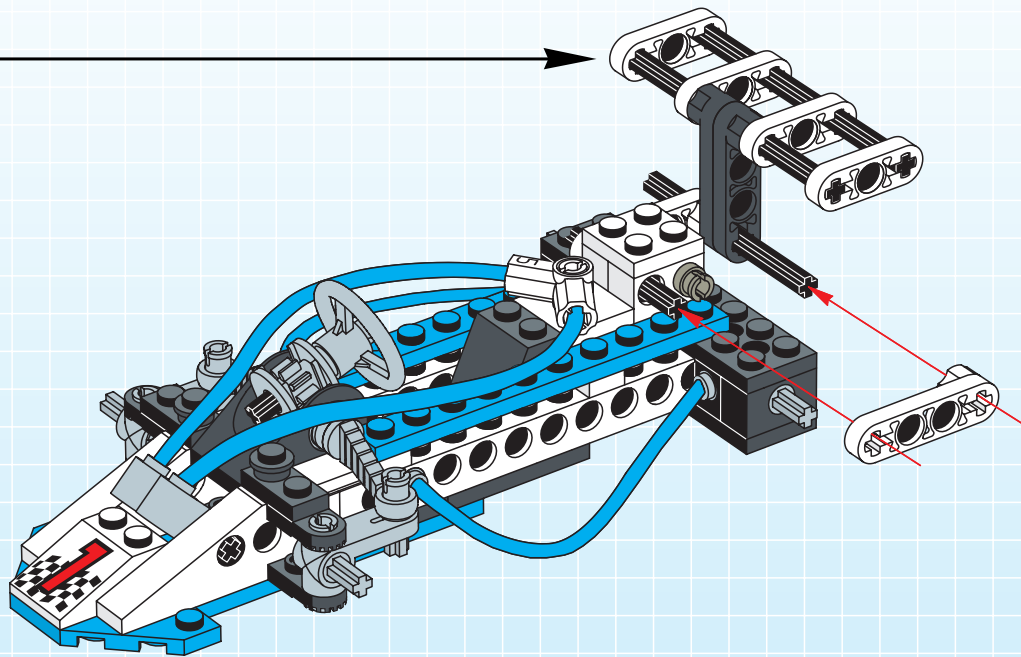
18

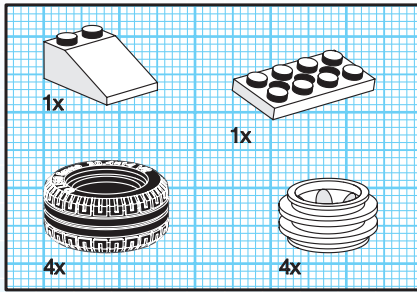




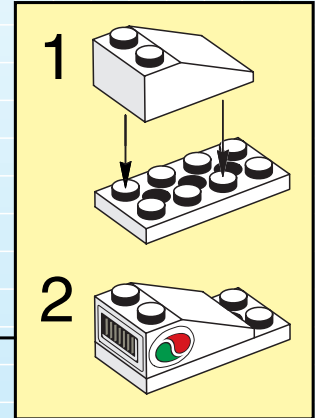
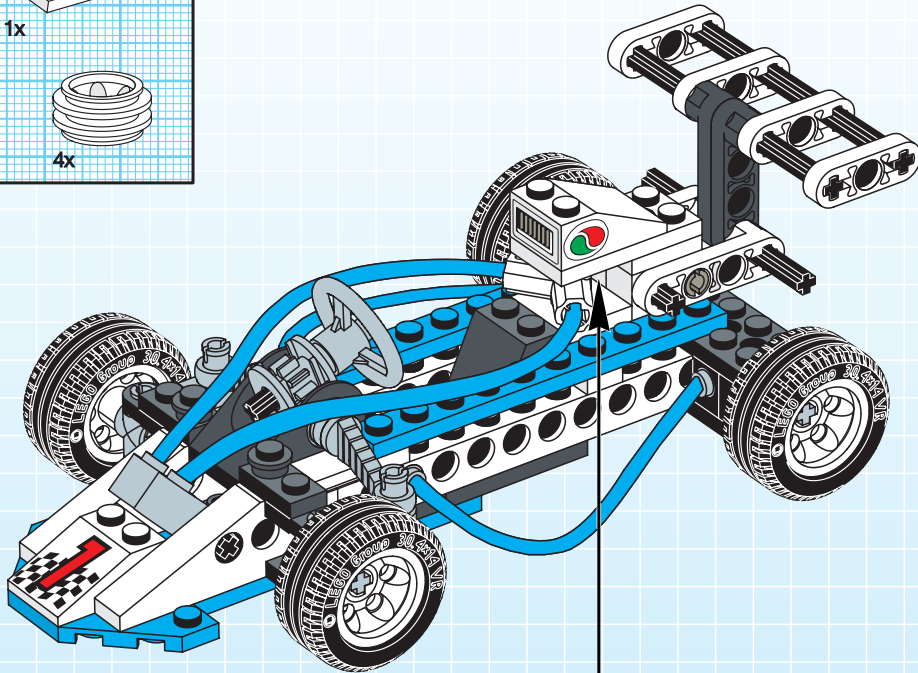
19

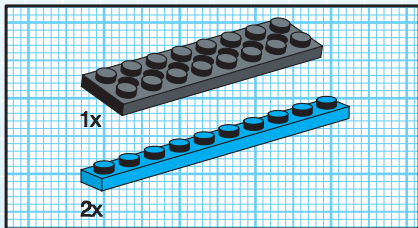
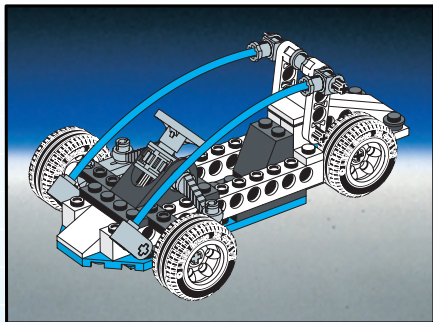




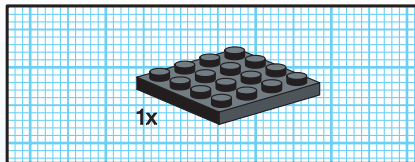
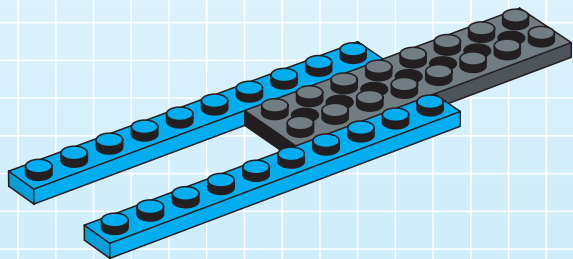


20

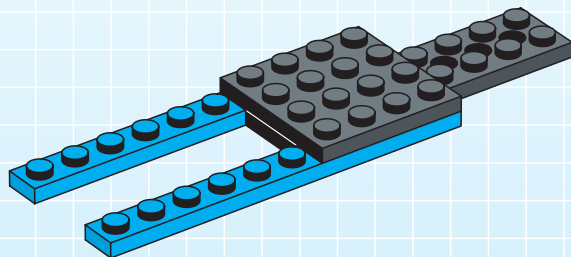


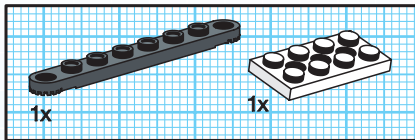


1

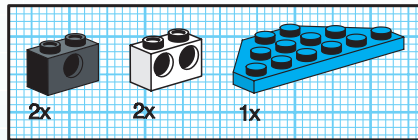
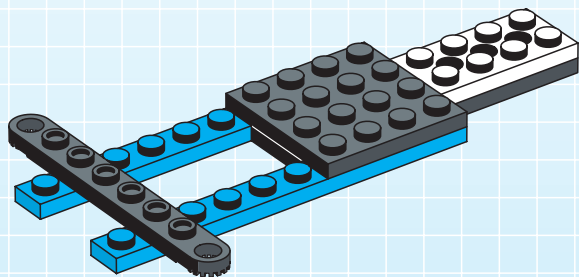


2

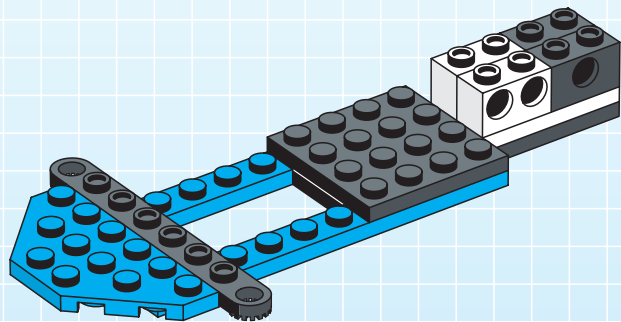


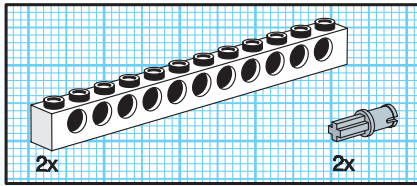


3

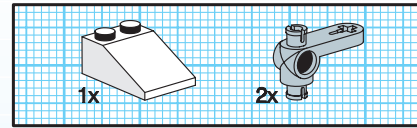
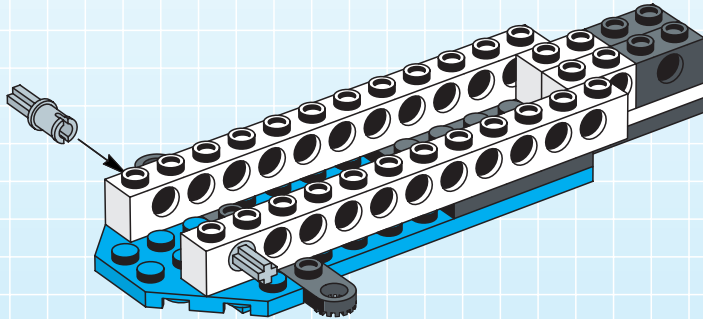


4

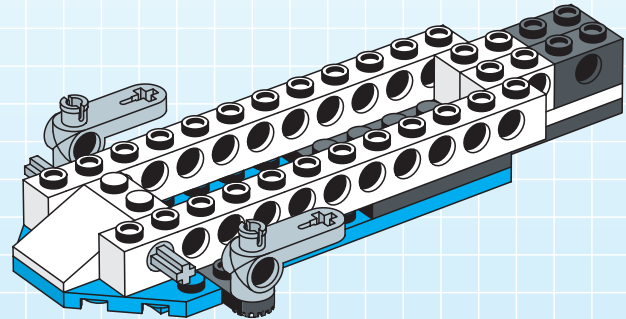


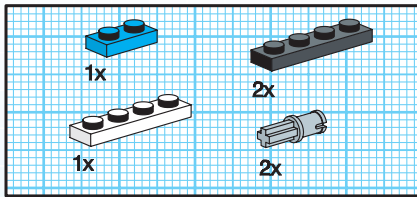


5

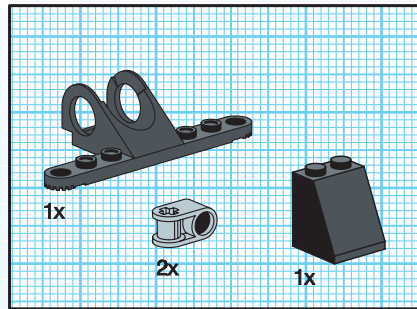
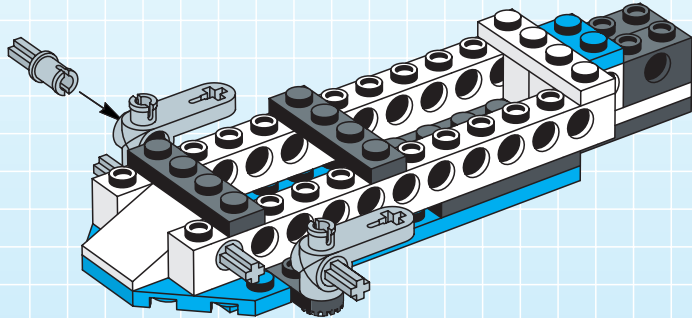


6

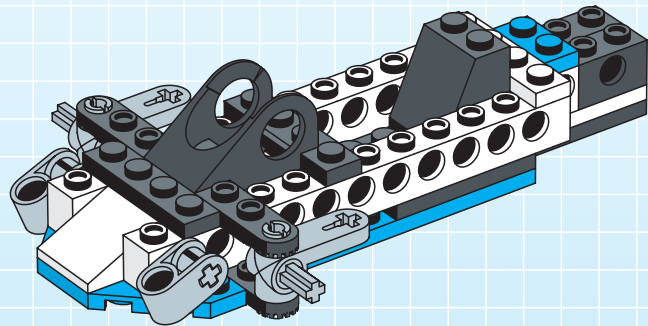


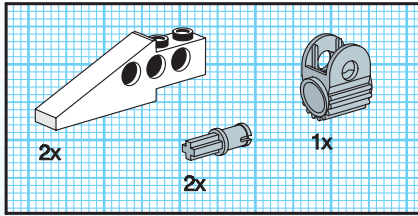


7

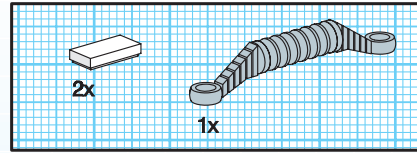
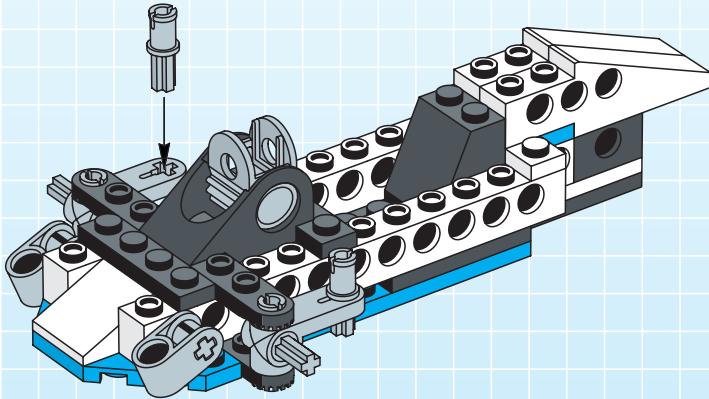


8

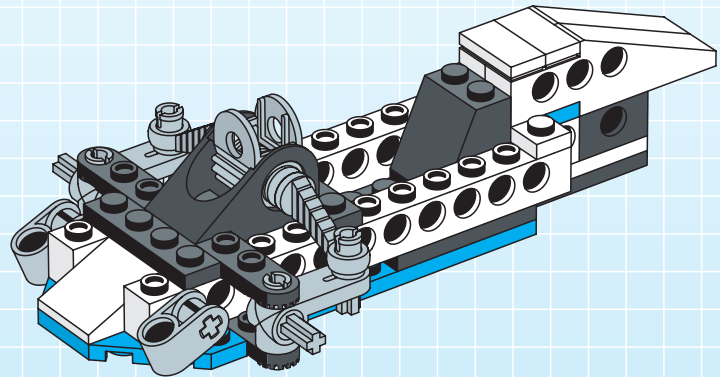


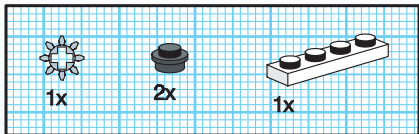


9

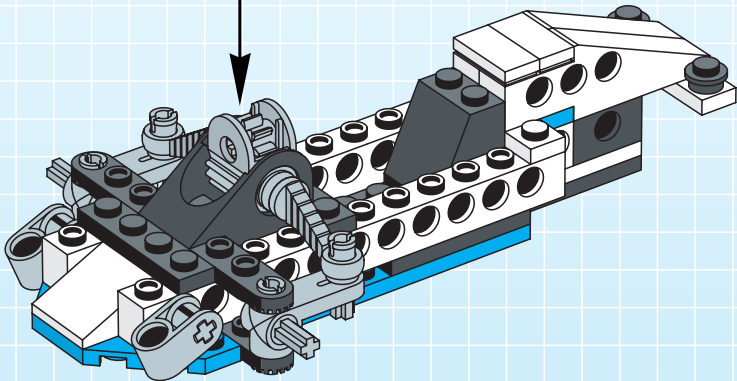
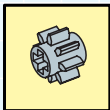
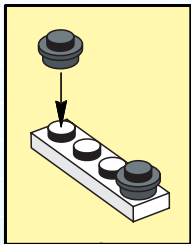


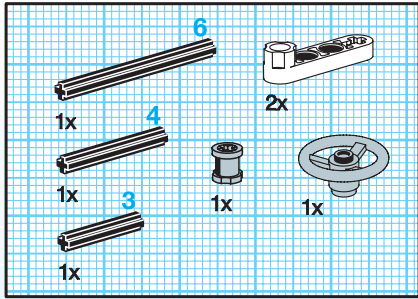
10



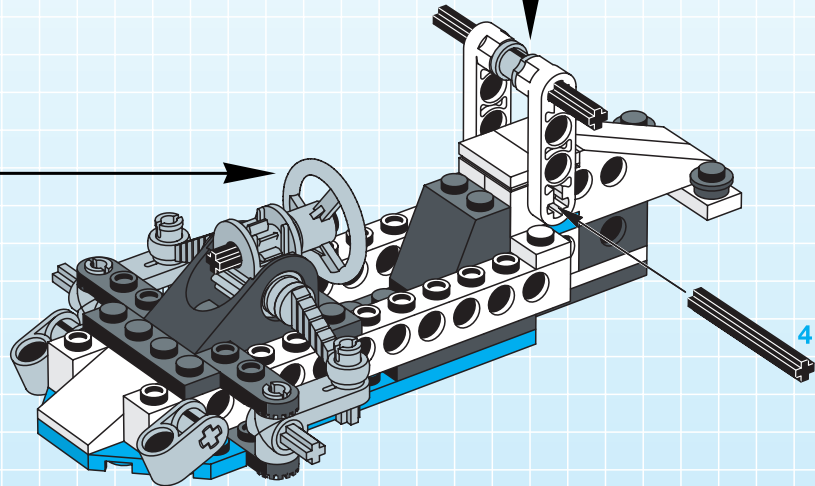
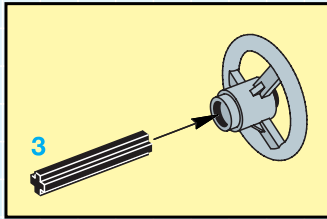
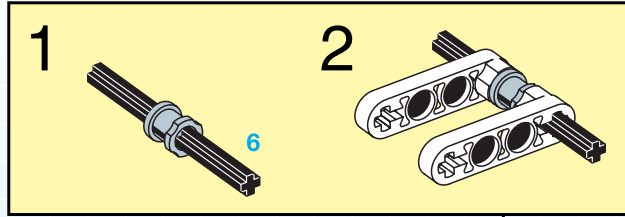


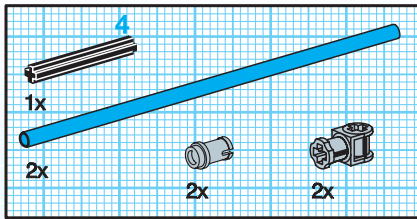
11



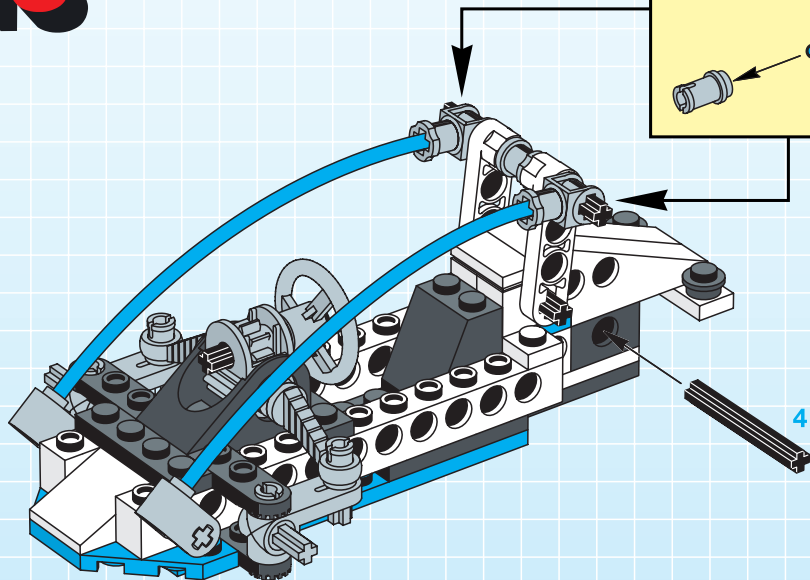
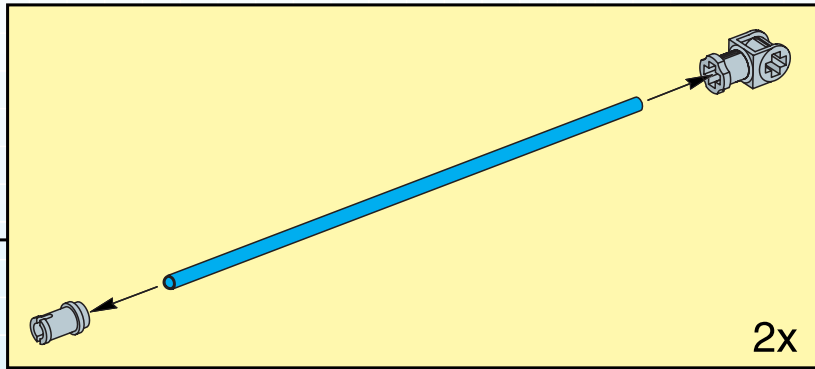


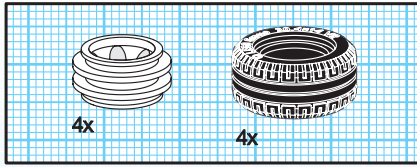
12



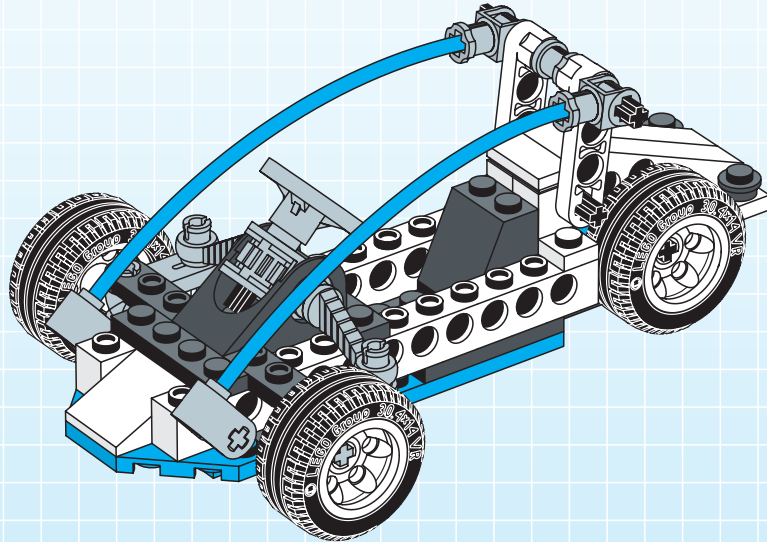


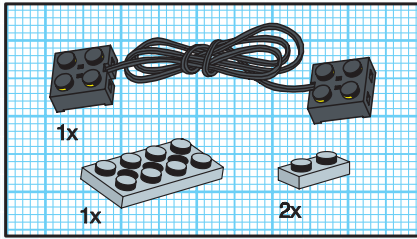
13



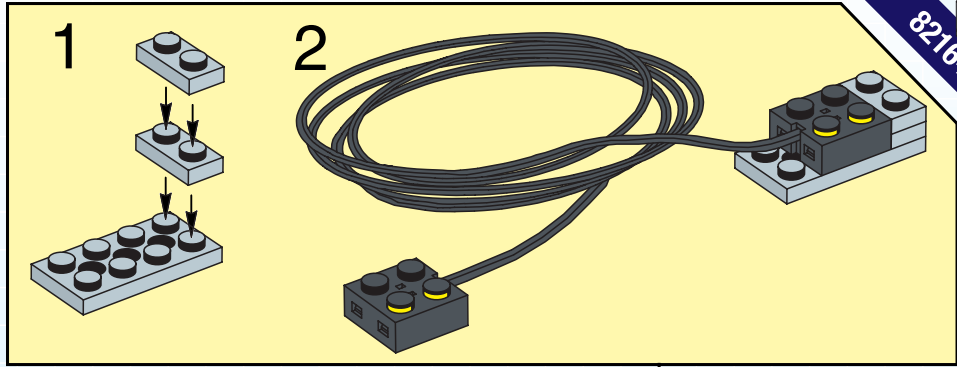


14

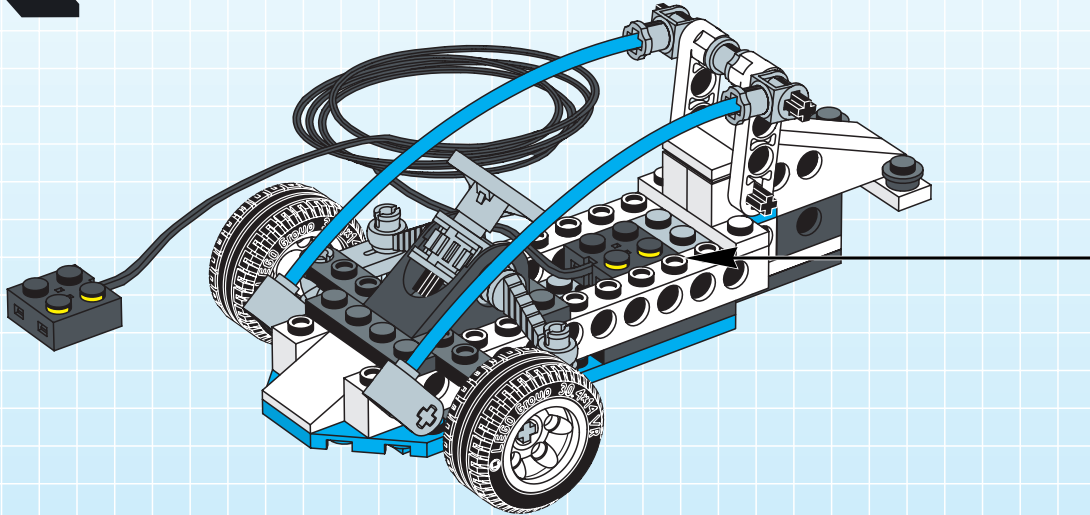


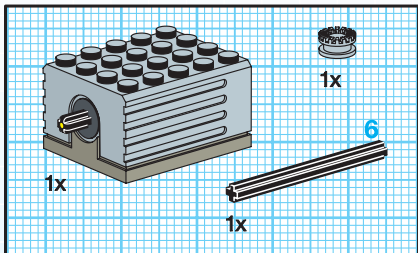


2

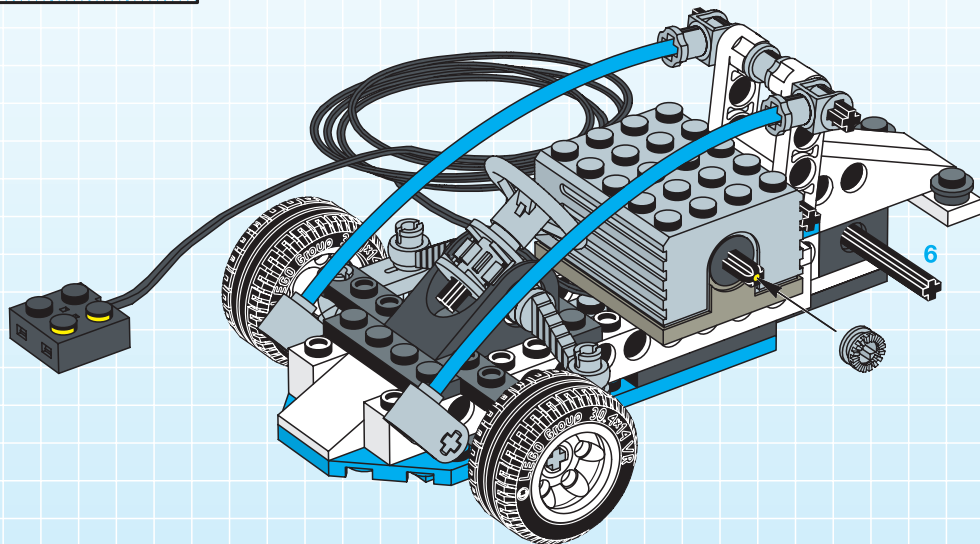


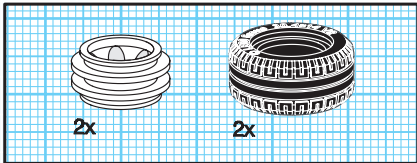
8216+8720



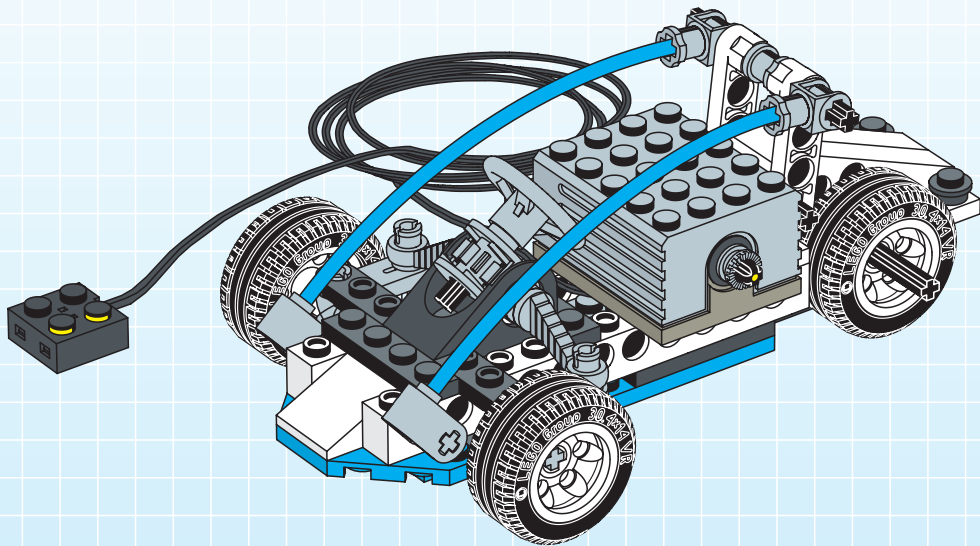


3



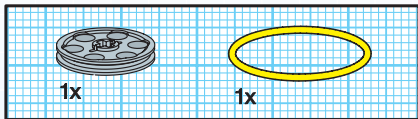


4

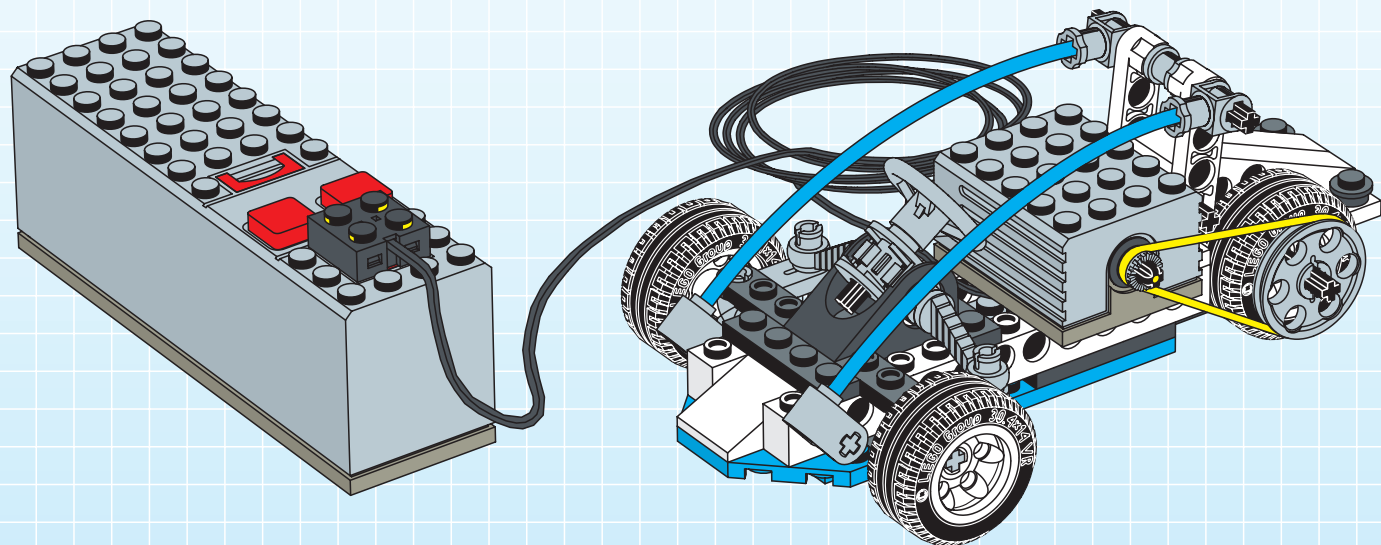




8216+8720



5





8216+8720



Technic

