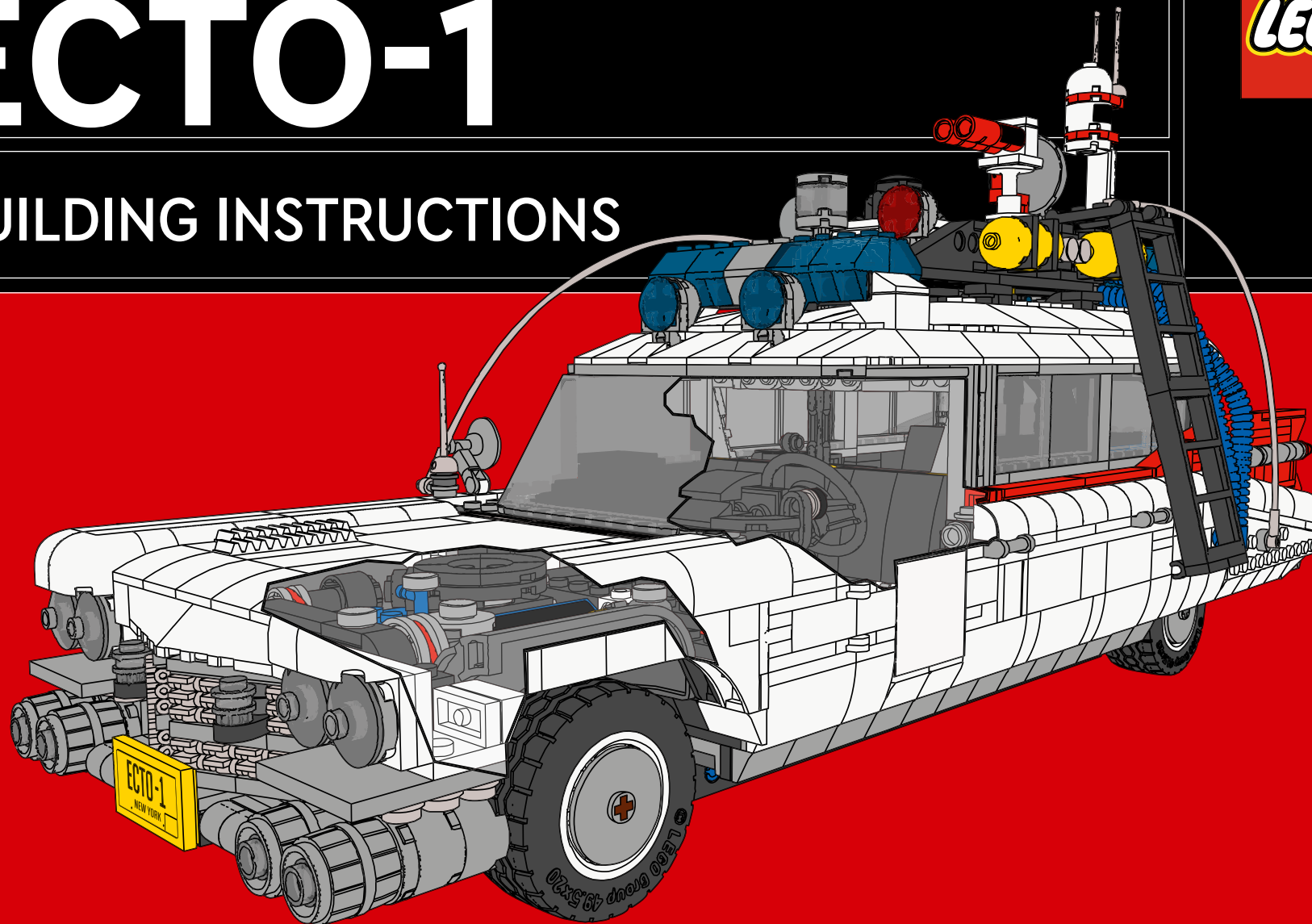


GHOSTBUSTERS™ ECTO-1



BUILDING INSTRUCTIONS



CLASSIFIEDS | CLASSIFIEDS | CLASSIFIEDS

HELP WANTED



WE'RE CALLING YOU!

There are ghosts appearing all over Summerville and we need your help right away! This is an exciting opportunity to re-build the

legendary Ecto-1 with some brand-new upgrades according to the plans we uncovered in a barn not far from town. The car is literally

in pieces though, 2,352 of them in fact, and you'll have the honour of putting them back together one by one.

The Ghostbusters have a long history protecting residents from the paranormal. They saved New York from the Stay Puft Marshmallow Man and protected the world from the evil spirit of Gozer. When slime levels rise, and ghosts descend, you know who to call!



HISTORY OF ECTO-1

Before getting our flagship Ectomobile back on the road, it's important to understand a little background information on this 1959 Cadillac Miller-Meteor. Originally purchased by Dr. Ray Stantz for \$4,800, this vehicle was perfect for our new paranormal investigation and elimination business. With the help of Dr. Egon Spengler, all the ghostbusting gear was added to make this the ultimate command vehicle. As you can see, the car has seen better days but if you are up for the task, we're ready to believe you!





Nothing draws attention like our spectacular Ectomobile racing around with its lights blazing and siren screeching. You never know who or what you'll meet at the other end!

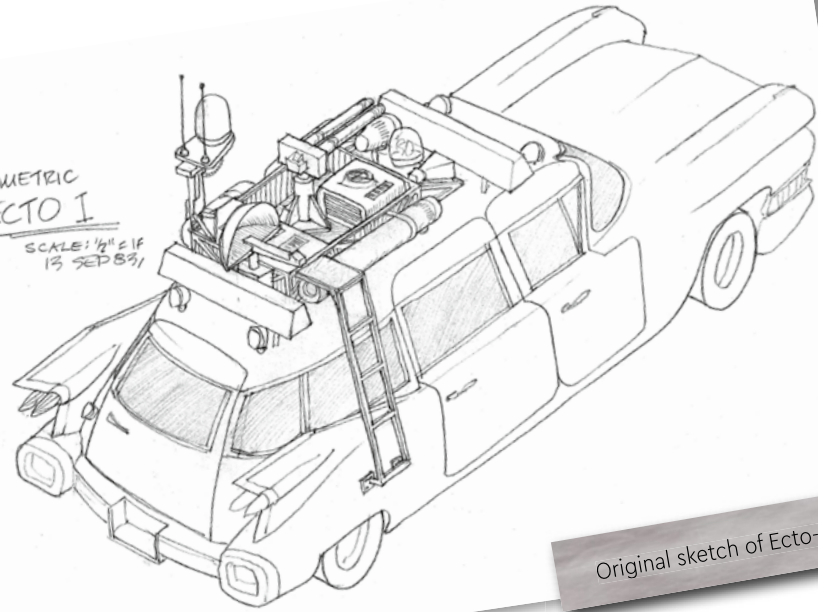
PORTABLE COMMAND STATION

To some it may look like a repurposed V8 1959 Cadillac Series 62 Miller-Meteor with 360 horsepower and 4-speed automatic transmission. Which indeed it is. But to us it's also a roving HQ with a mobile laboratory and a portable arsenal containing every weapon at our ghostbusting disposal. Often imitated but never matched, the Ecto-1 has survived everything from catastrophic earthquakes to lava-hot marshmallow fluff! Now it's your job to reassemble and overhaul it...

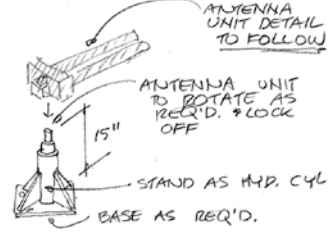


1/2" ISOMETRIC
ECTO 1

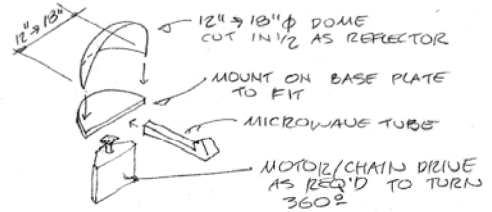
SCALE: 1/2" = 1'
13 SEP 83/



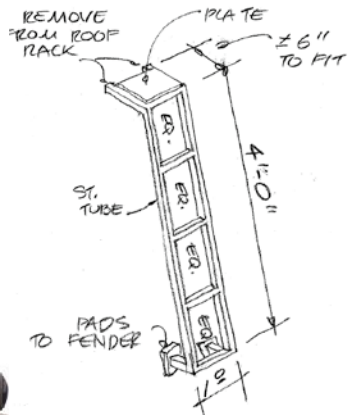
Original sketch of Ecto-1



1/2" ISOMETRIC -
T.V. ANTENNA

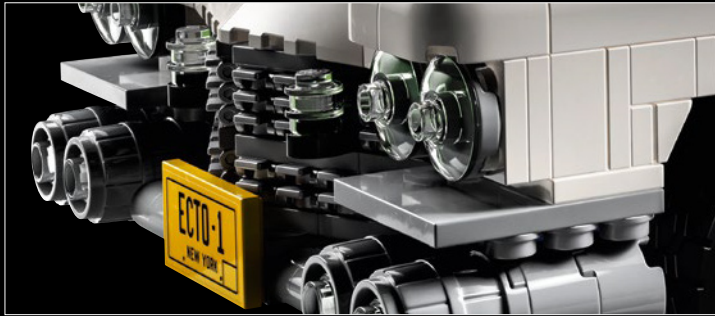


1/2" ISOMETRIC -
DIRECTIONAL ANTENNA



MIKE THE MECHANIC

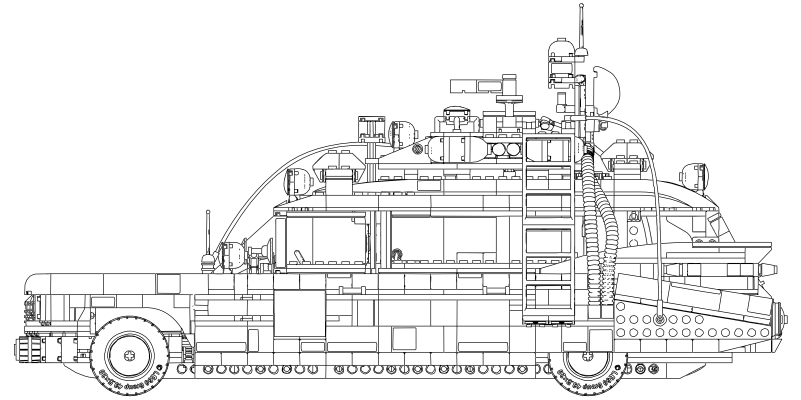
Meet Mike Psiaki, Ghostbuster and LEGO® Ectomobile builder. He designed this latest update of the Ecto-1 and would have completed it if he hadn't met with an unfortunate protonic reversal accident. His biggest challenge was capturing the complicated curves of the Cadillac with boxy LEGO elements. Like all true scientists, engineers and LEGO builders, Mike was an ace at adapting and improvising. The ladder for his Ecto-1 came from 2 classic LEGO window frames stacked on top of each other, while the front grille is actually made up of more than 40 silver roller skates!



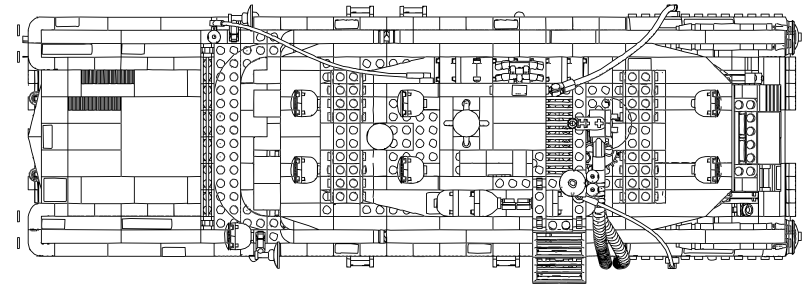


ECTOMOBILE OVERVIEW

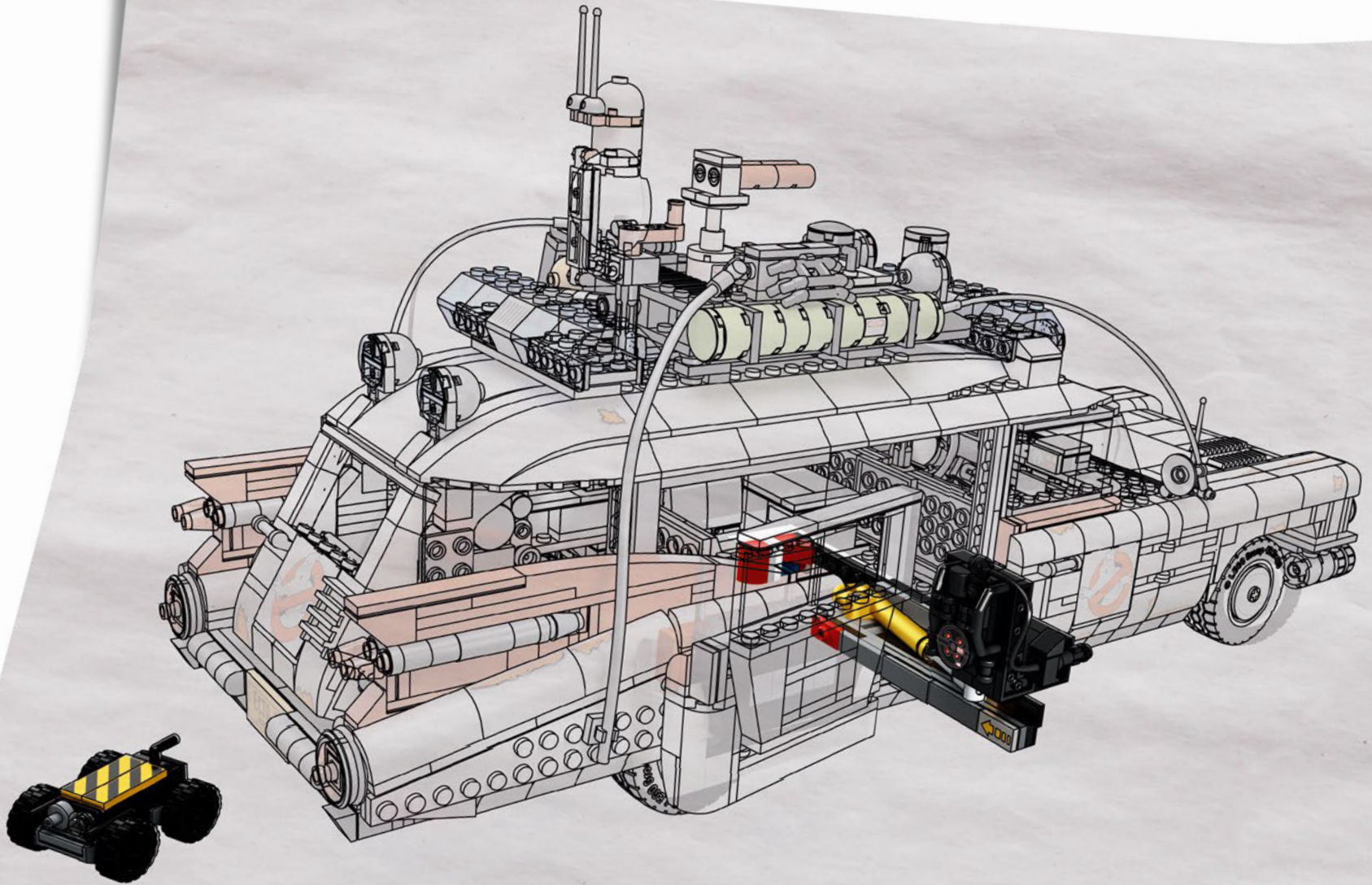
Now that you're up for the task, it's time to take a deep dive into the particulars of our impressive quick-response vehicle and all its sophisticated equipment. The detailed schematic and reference materials contained over the next pages should allow you to move forward ... hopefully at the wheel of a completed Ectomobile!



This model may only be a smaller scale version of the real thing, but it's got everything you need for ghostbusting! There are 2,352 pieces in this set.



Don't panic! Take your time and follow the instruction manual. You can do this!



FACTS FOR BI PAGES

PAGE 125



The No-Ghost logo has become a powerful marketing tool for the Ghostbusters business and features a ghost named Mooglie.

PAGE 265



The pitch of this FEDERAL SIREN has been modified to set it apart from other emergency vehicles in New York.

PAGE 267



The MODIFIED MARINE RADOME ANTENNA sends out a sonar-like sweep to detect spectral particles.

PAGE 272



The T.U. ANTENNA, better known as the "SNIFFER", monitors psychokinetic energy.

PAGE 278



The vintage UNITY S6 SPOTLIGHT is capable of illuminating at approx. 1,000,000 lumens.

PAGE 294



The ROOF RACK LADDER offers quick access to the Ecto-1's special rooftop equipment. It was moved in order to make room for the new gunner seat door.



OFFICIAL
LICENSED PRODUCT

LEGO and the LEGO logo are trademarks of the LEGO Group. ©2020 The LEGO Group.

TM & © 2020 Columbia Pictures Industries, Inc. All Rights Reserved.