



RACERS

8358
Off-roader Bike



4197539



3



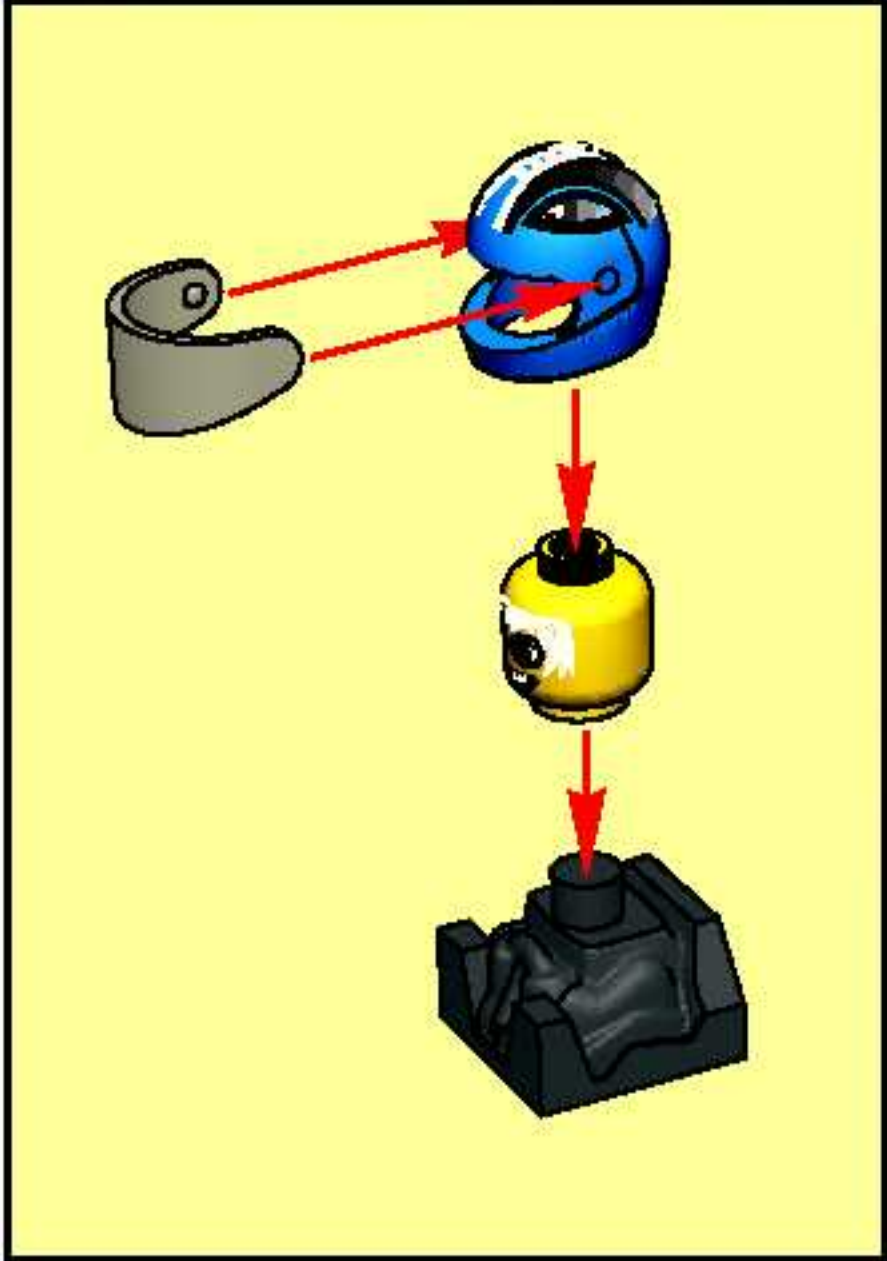
4



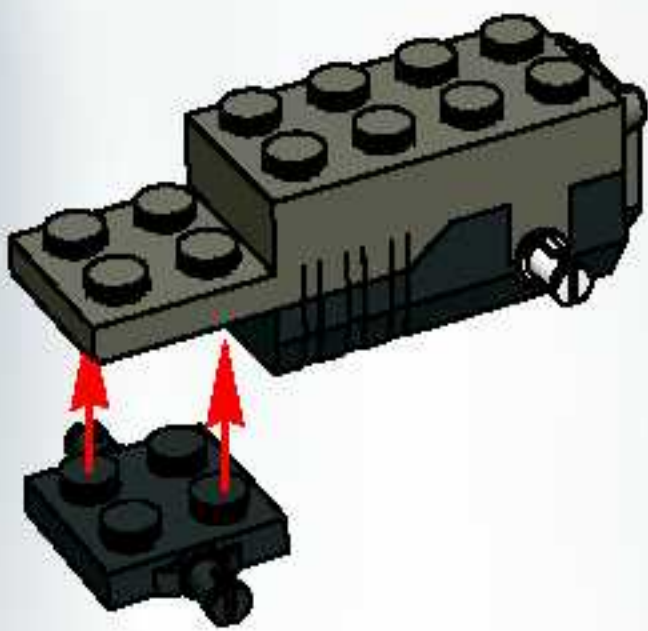
5



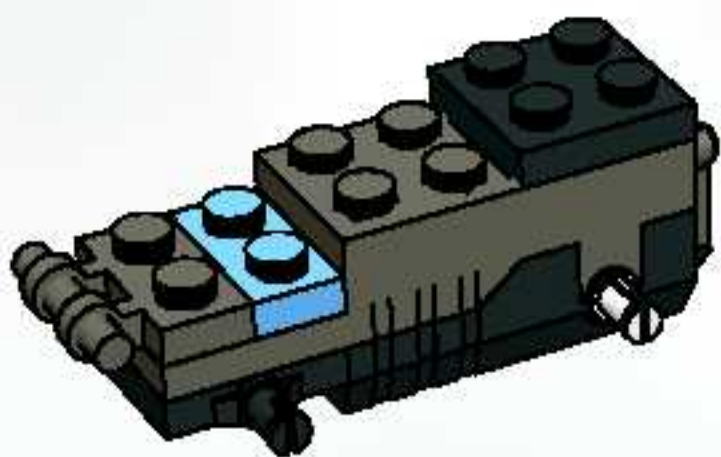
6



1



2

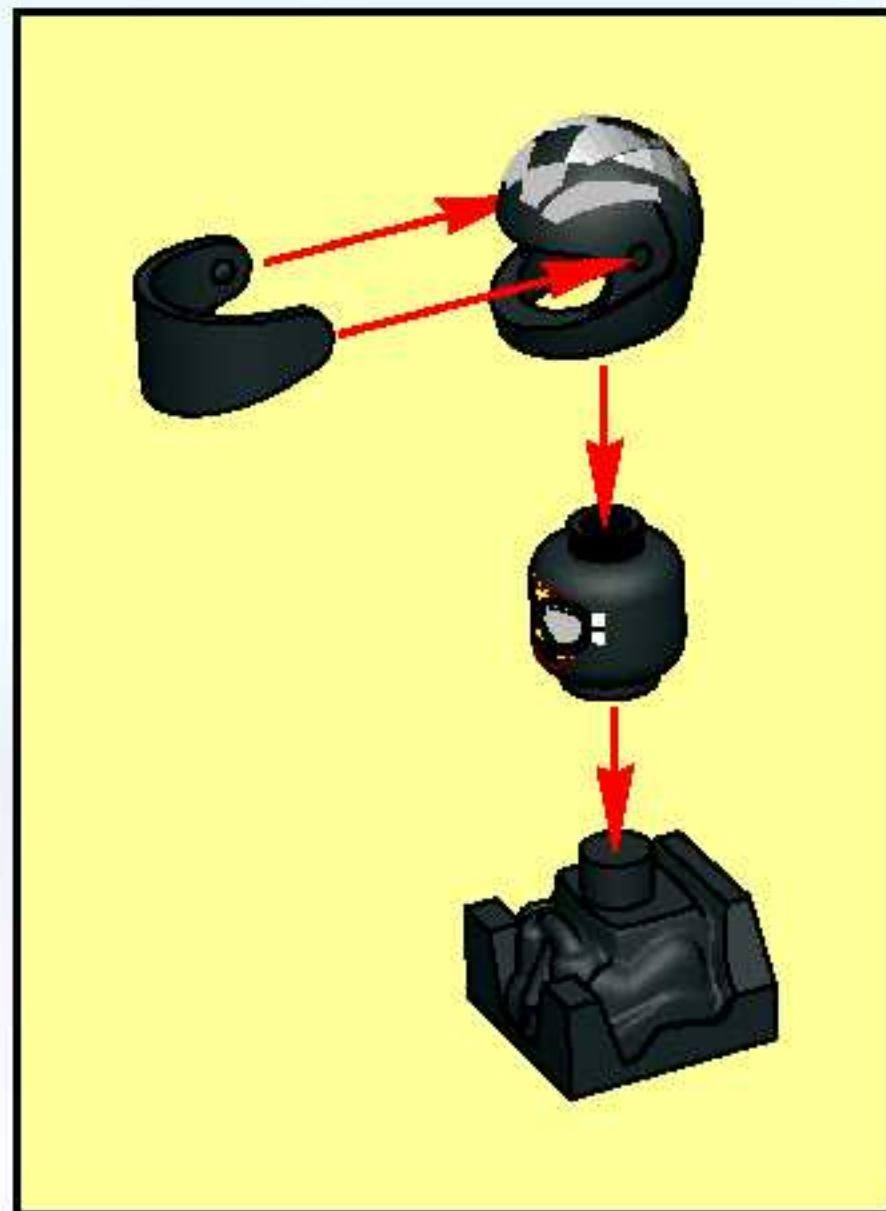




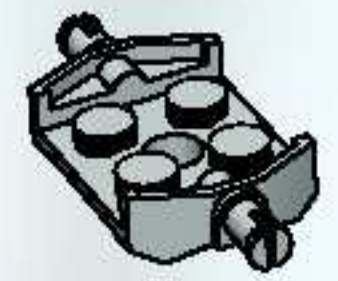
8358 + 8359 + 8360 = NIGHT SPRINTER



8358 + 8359 + 8360



1



2

