



4485

# STAR WARS

MINI BUILDING SET

Sebulba's™ Podracer



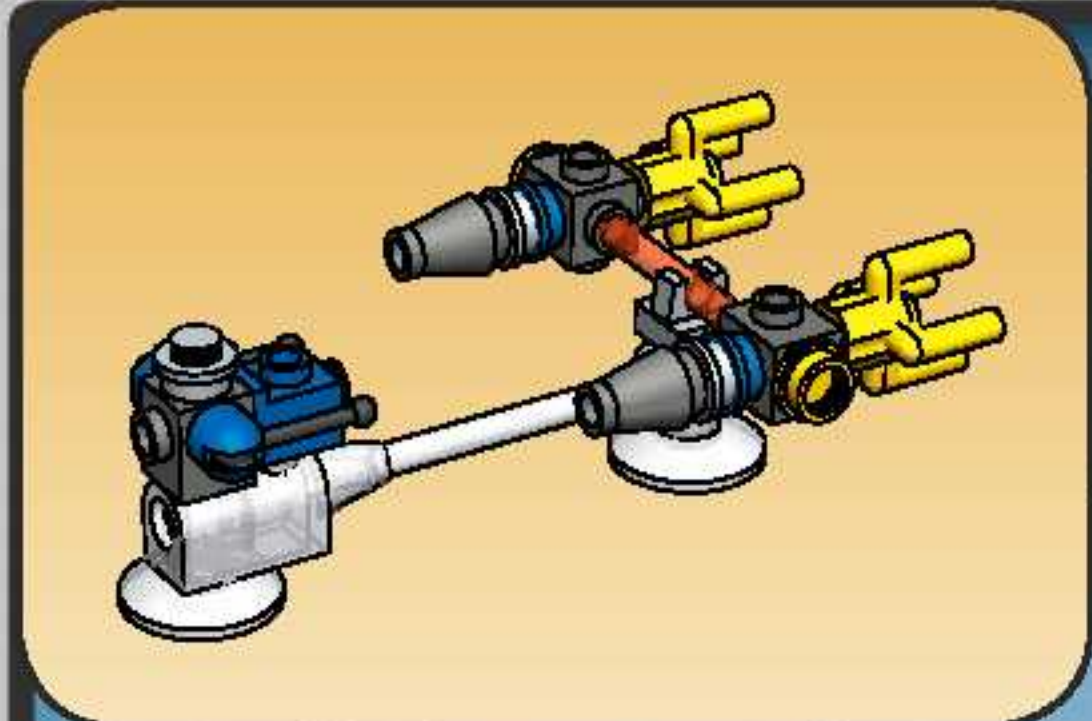
Anakin's™ Podracer

4193295

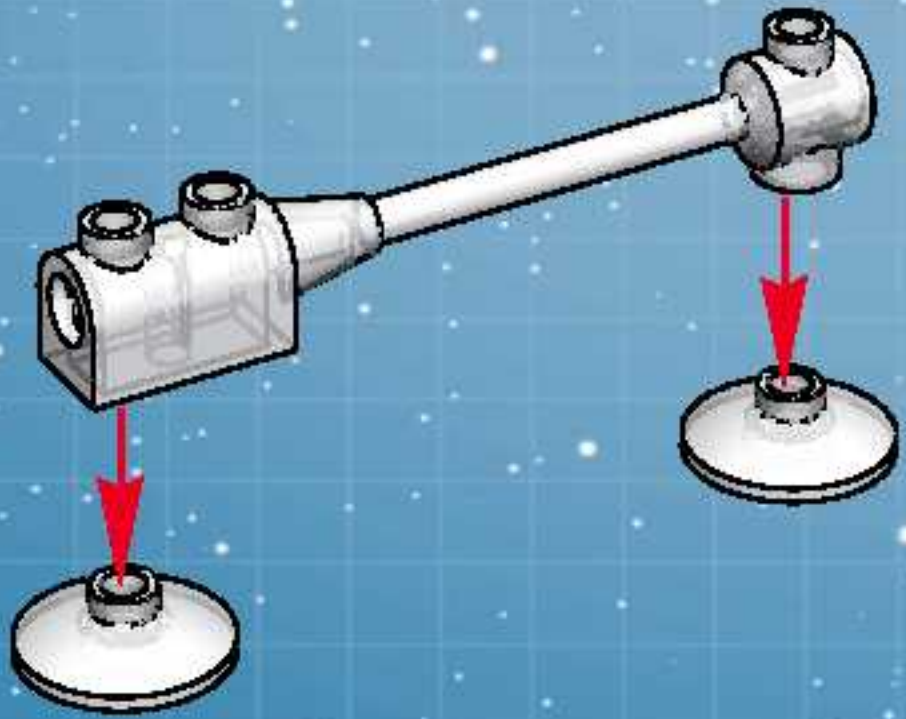
MINI



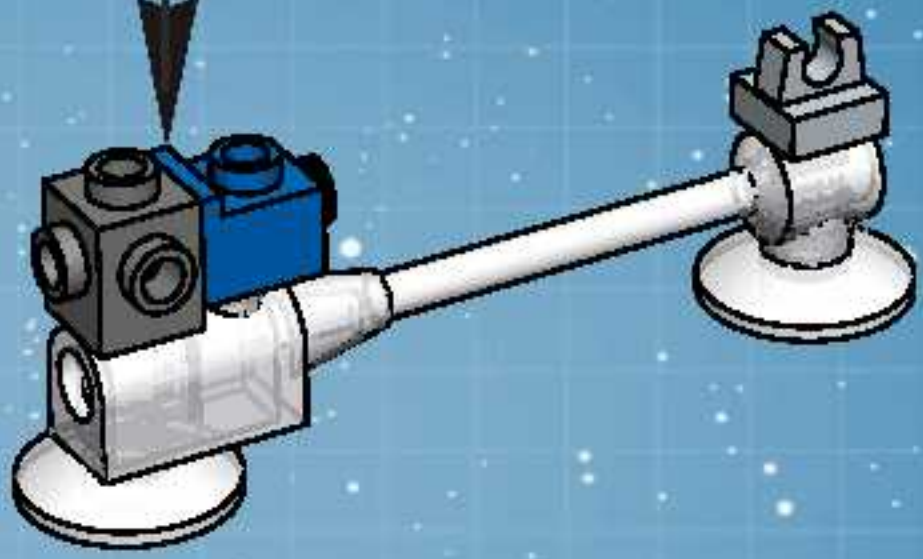
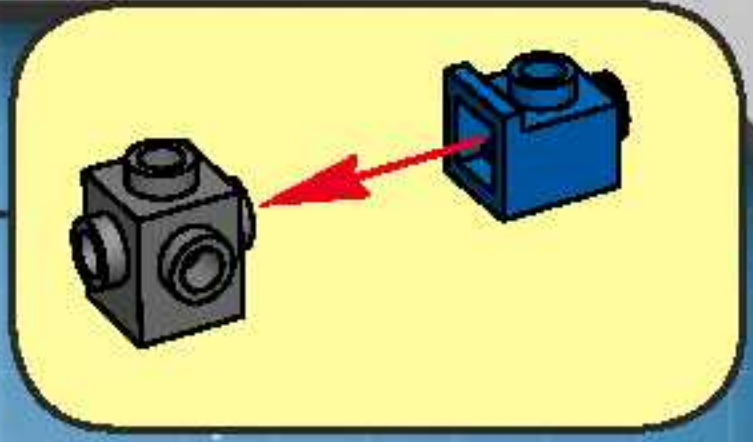
**STAR  
WARS**™



1

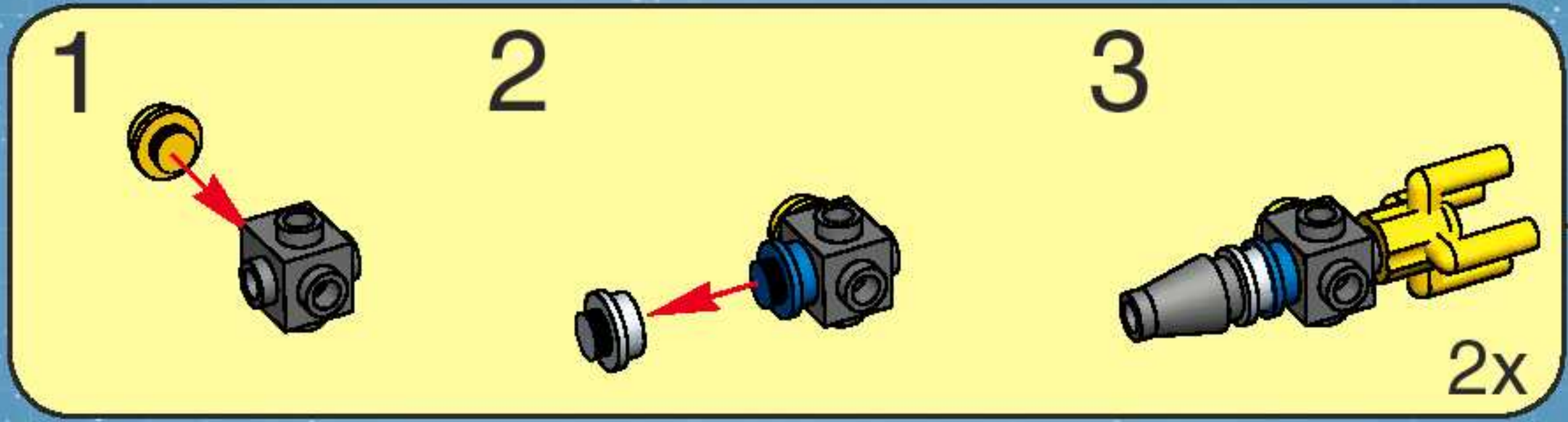


2

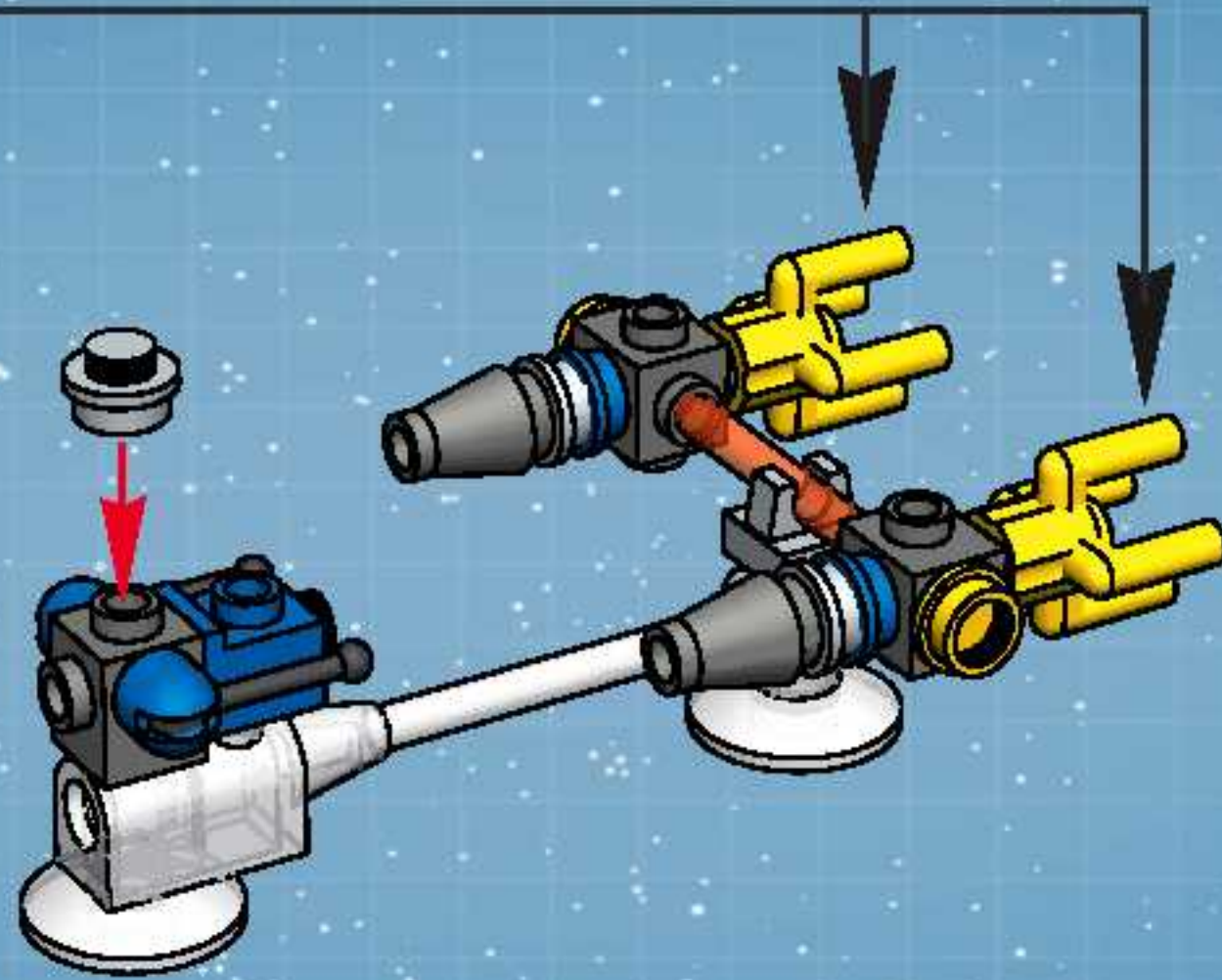


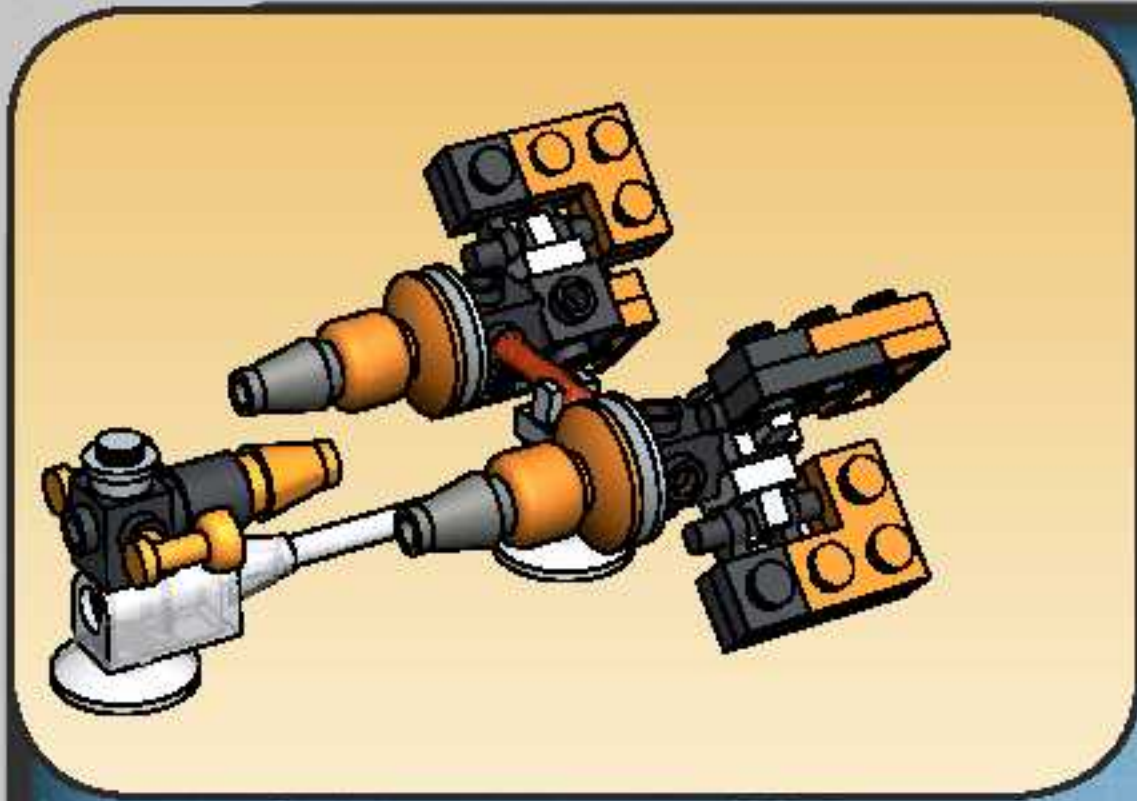
3



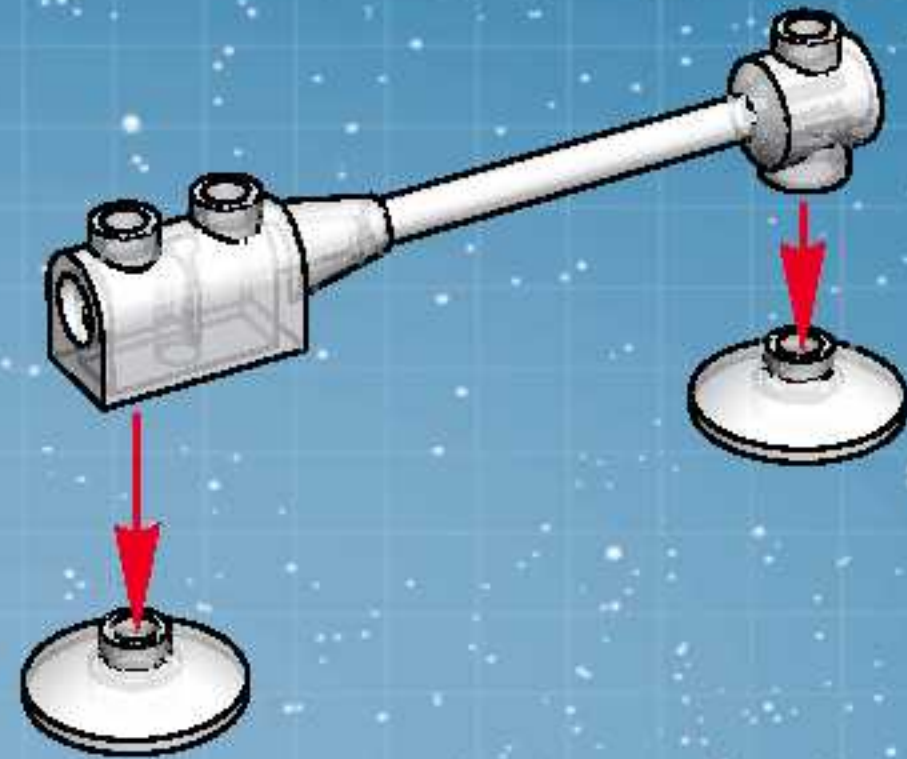


4

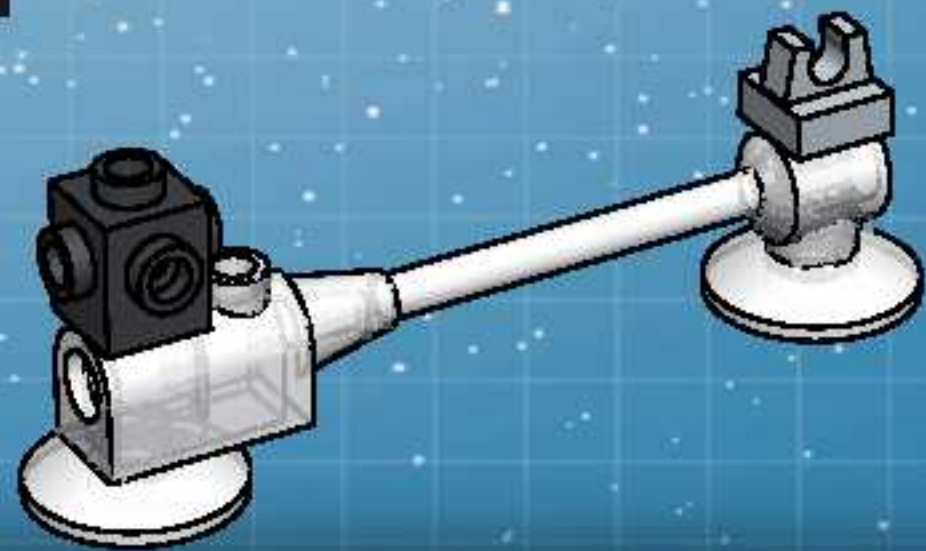




1



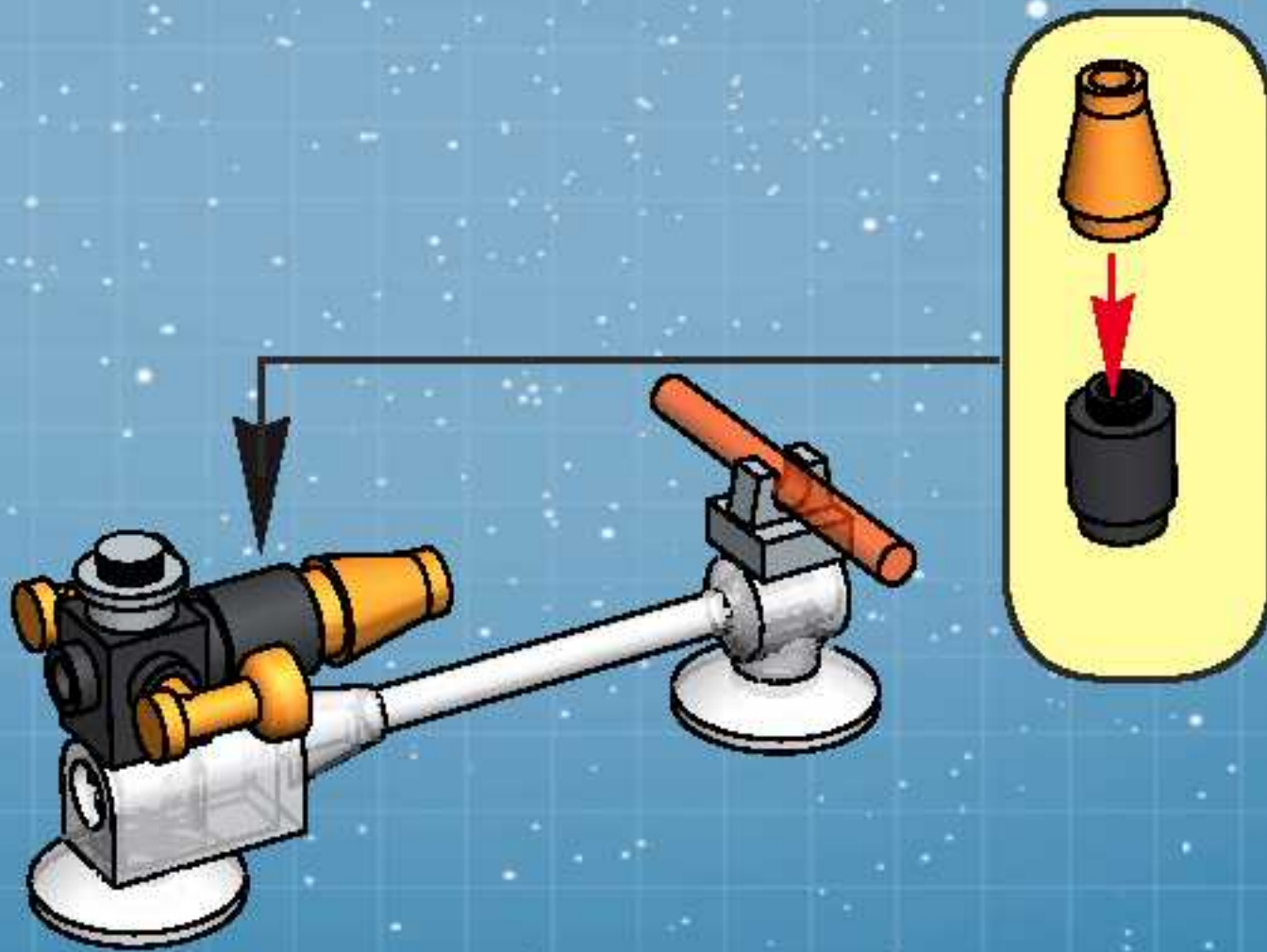
2



3



4



1



2



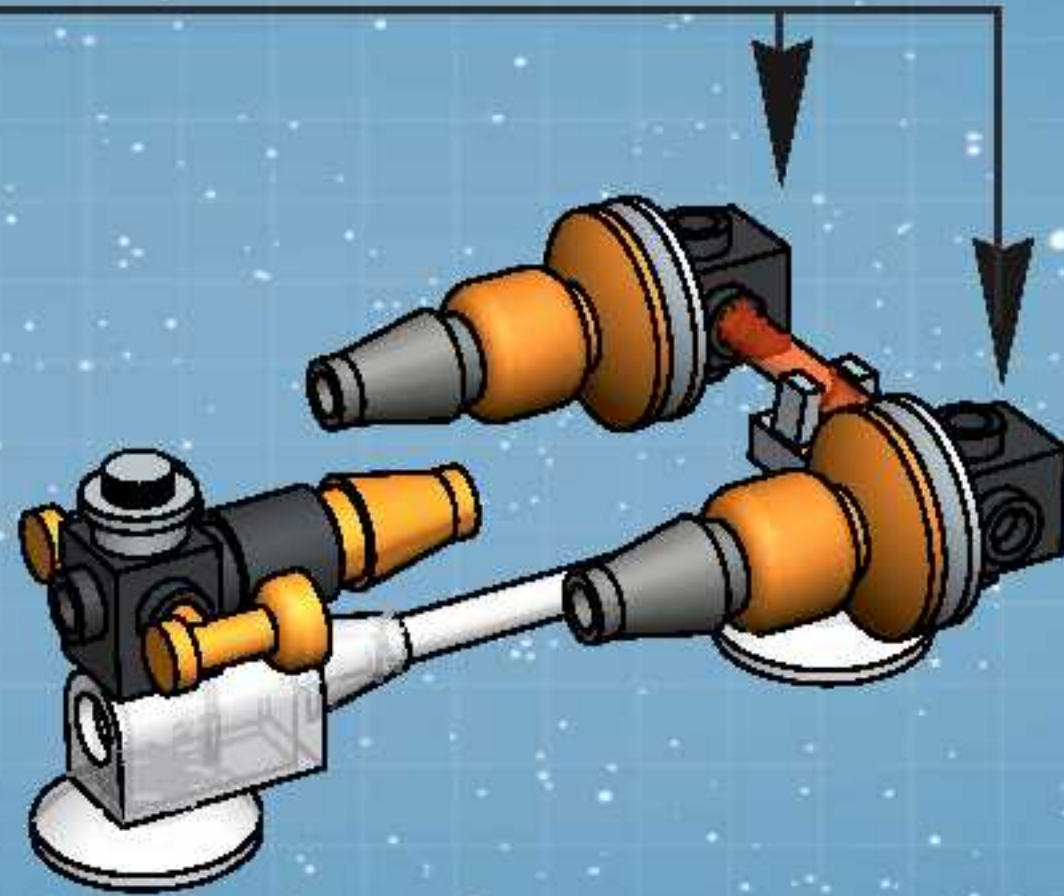
3

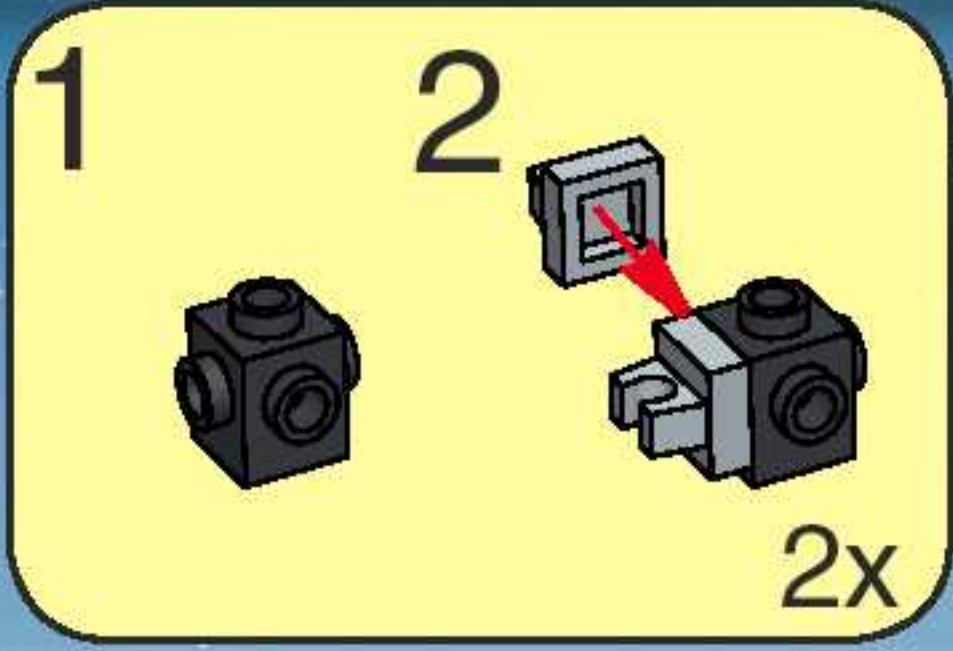


2x

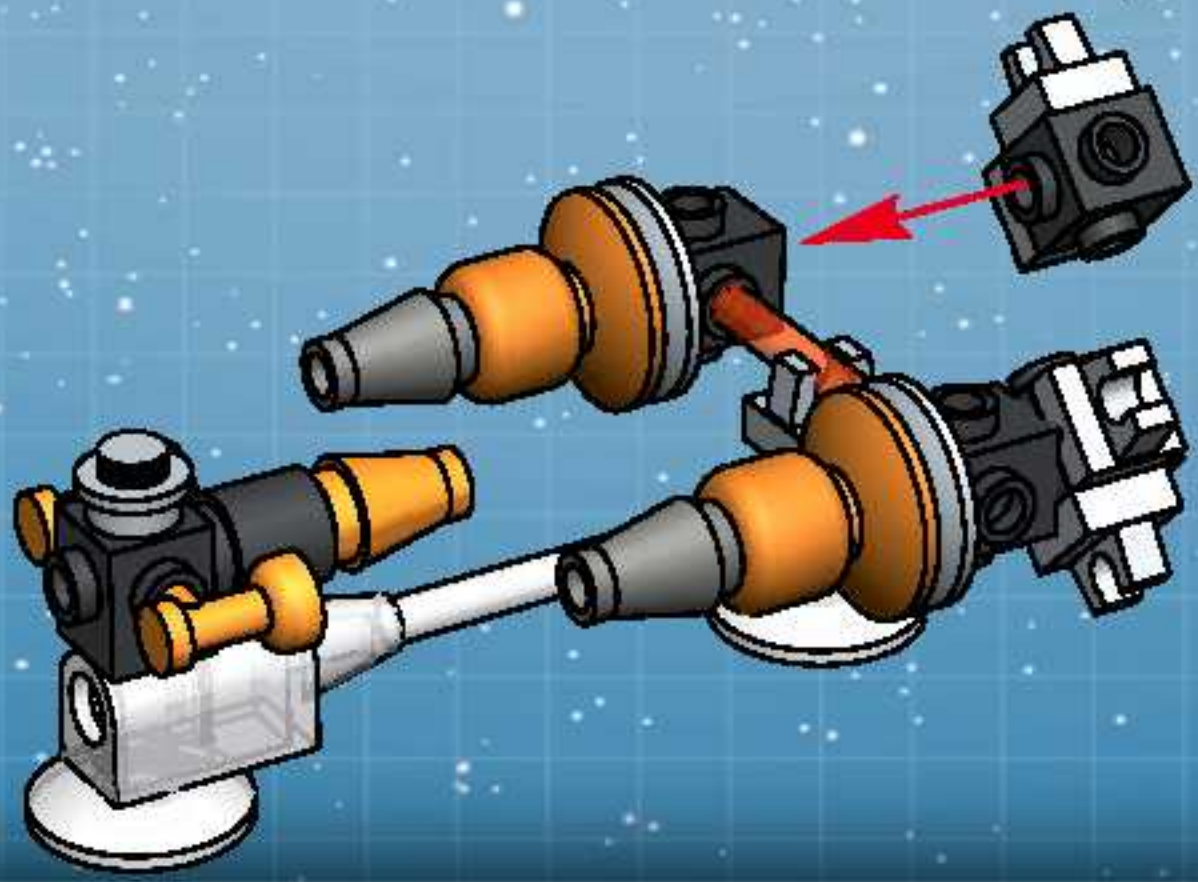



5


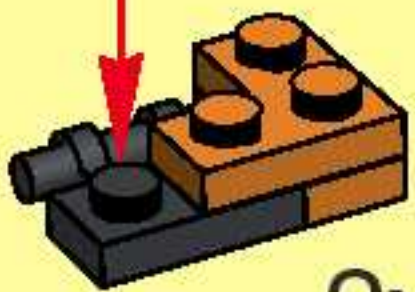




6



1 

2   
  
2x



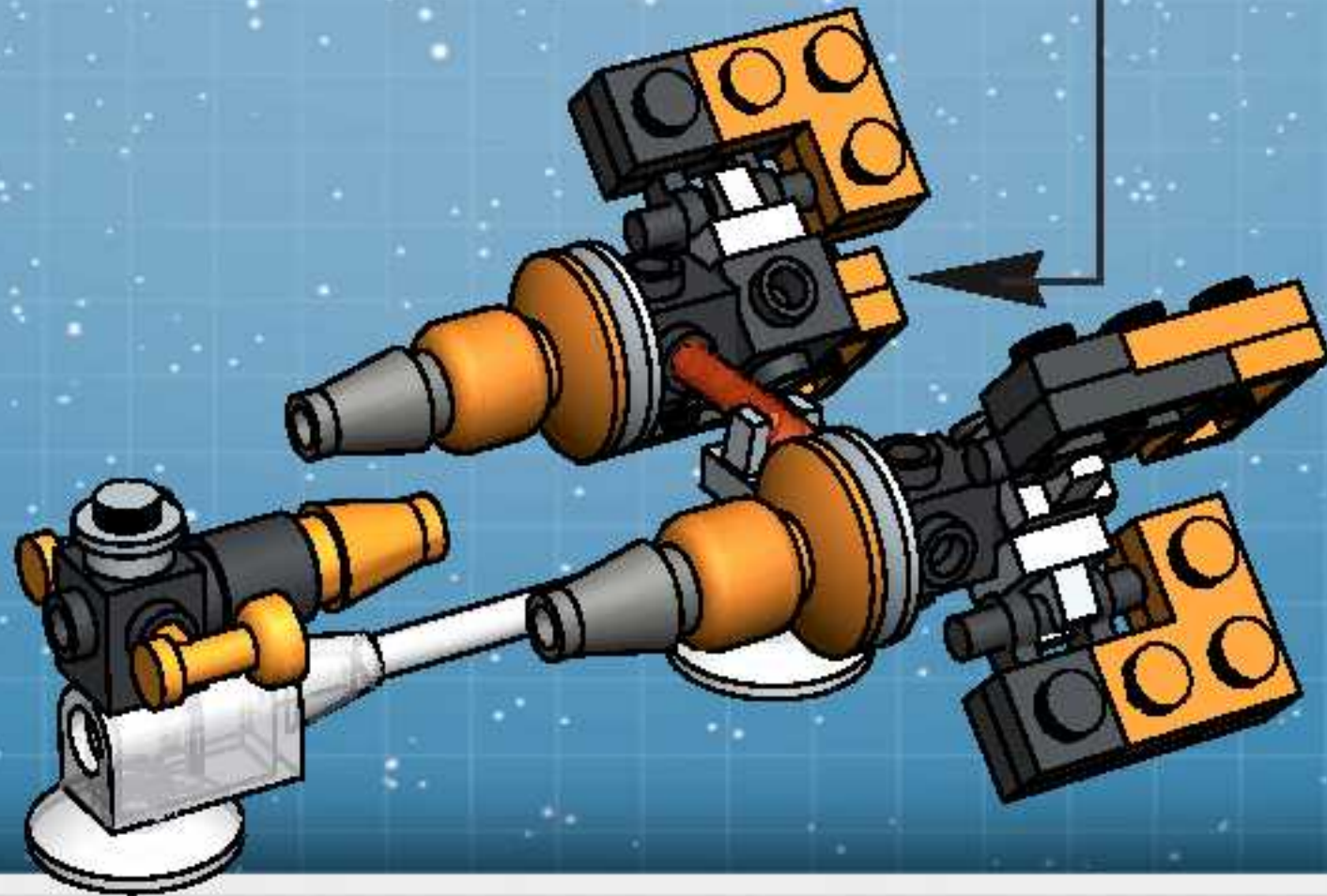
1



2

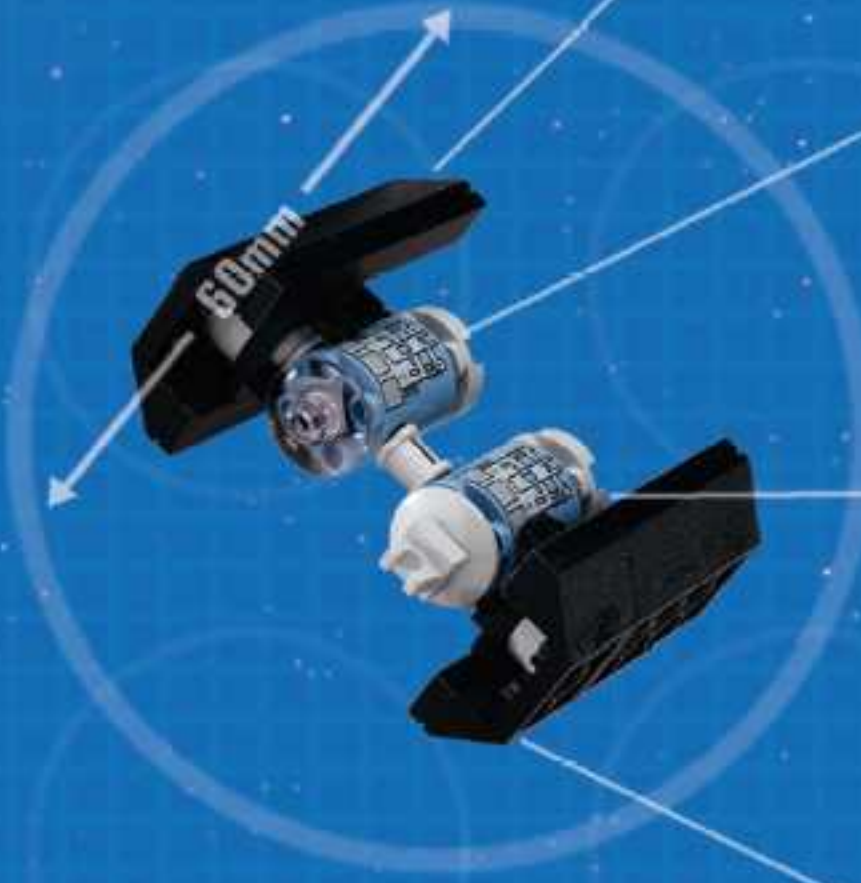


2x





# STAR WARS



+



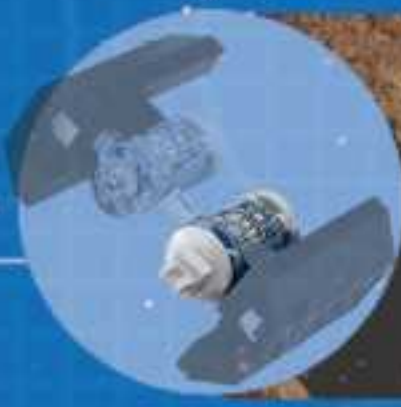
4484



+



4486



+



4487



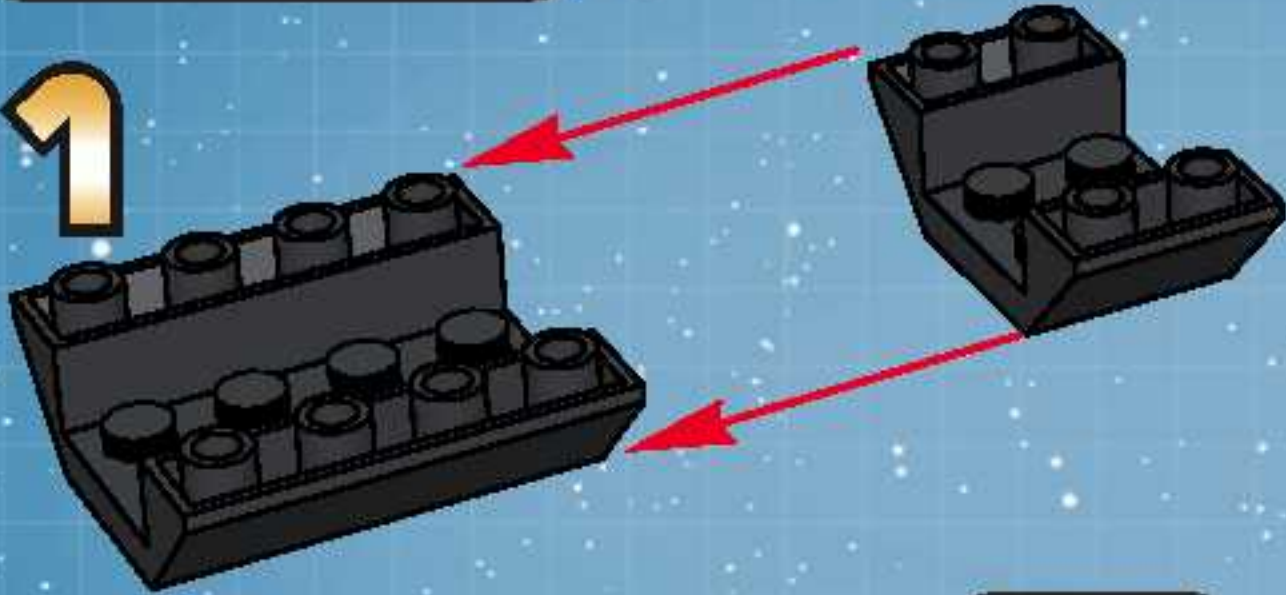
+



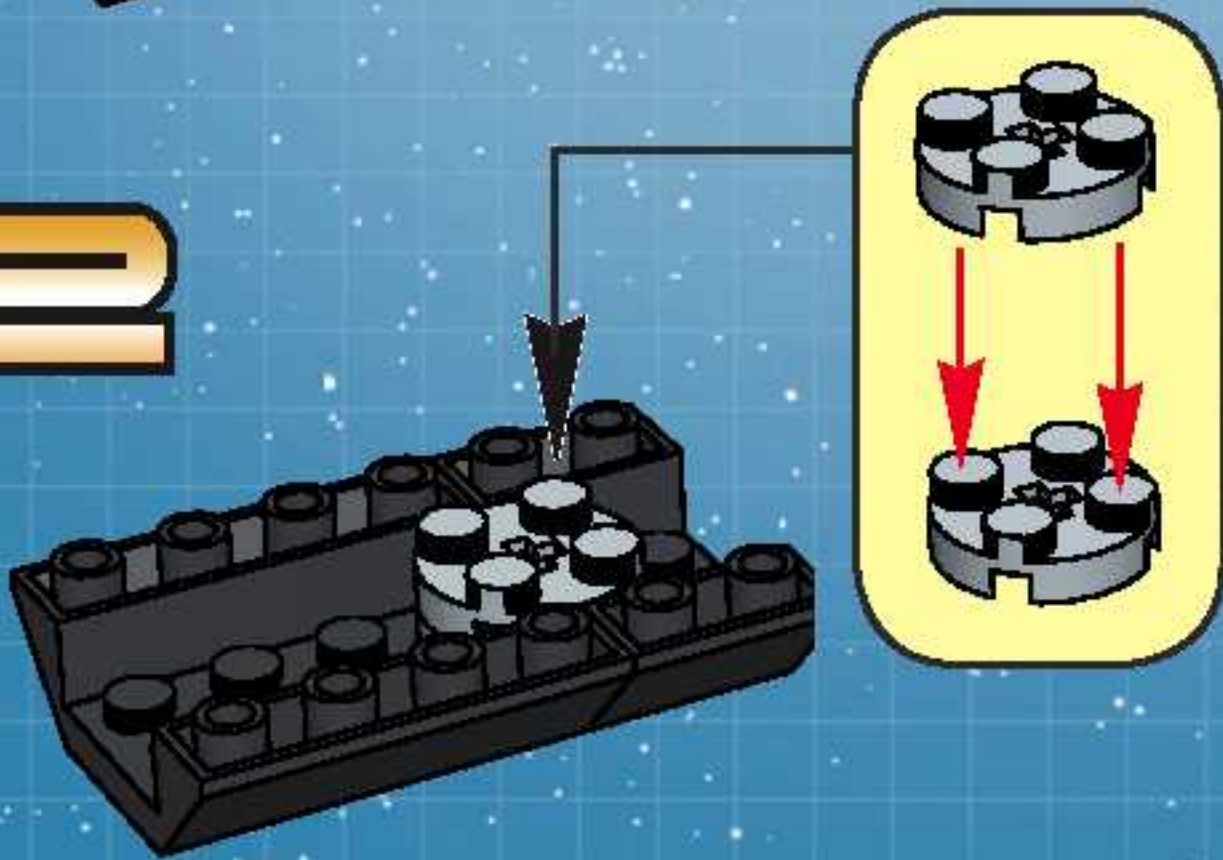
4485



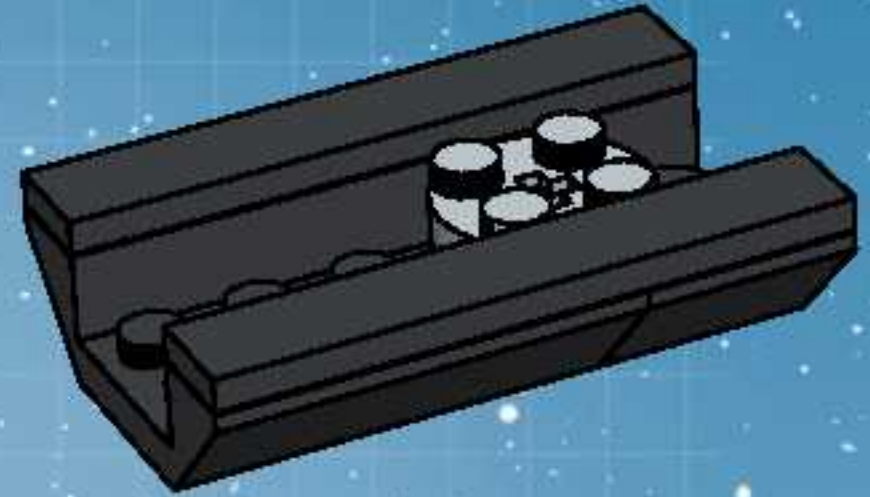
1



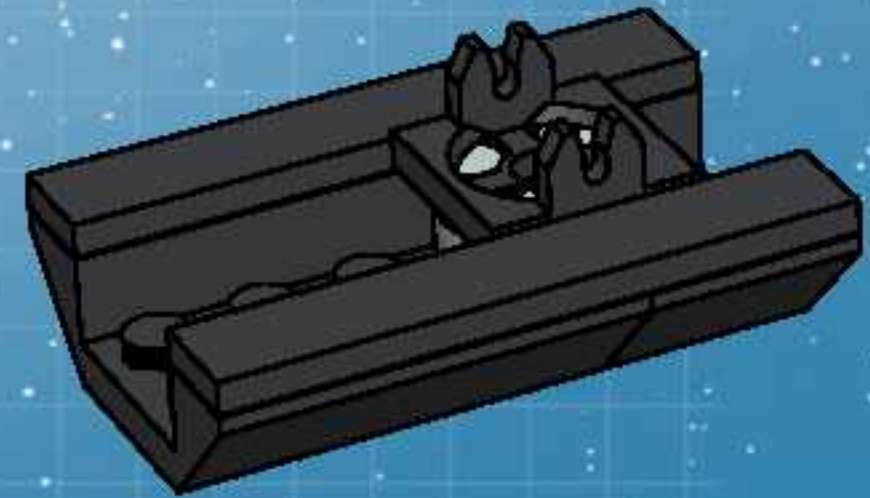
2



3



4

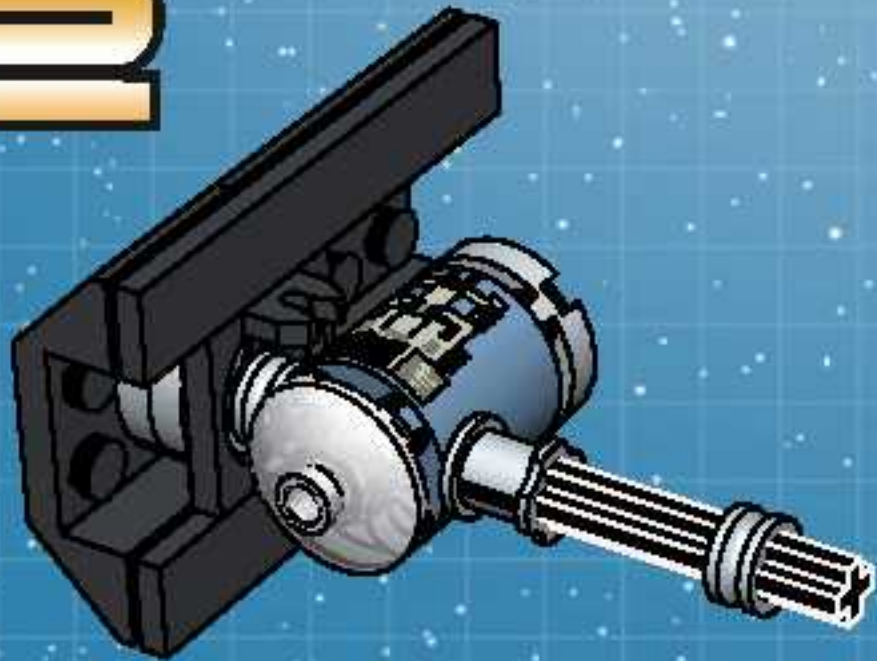




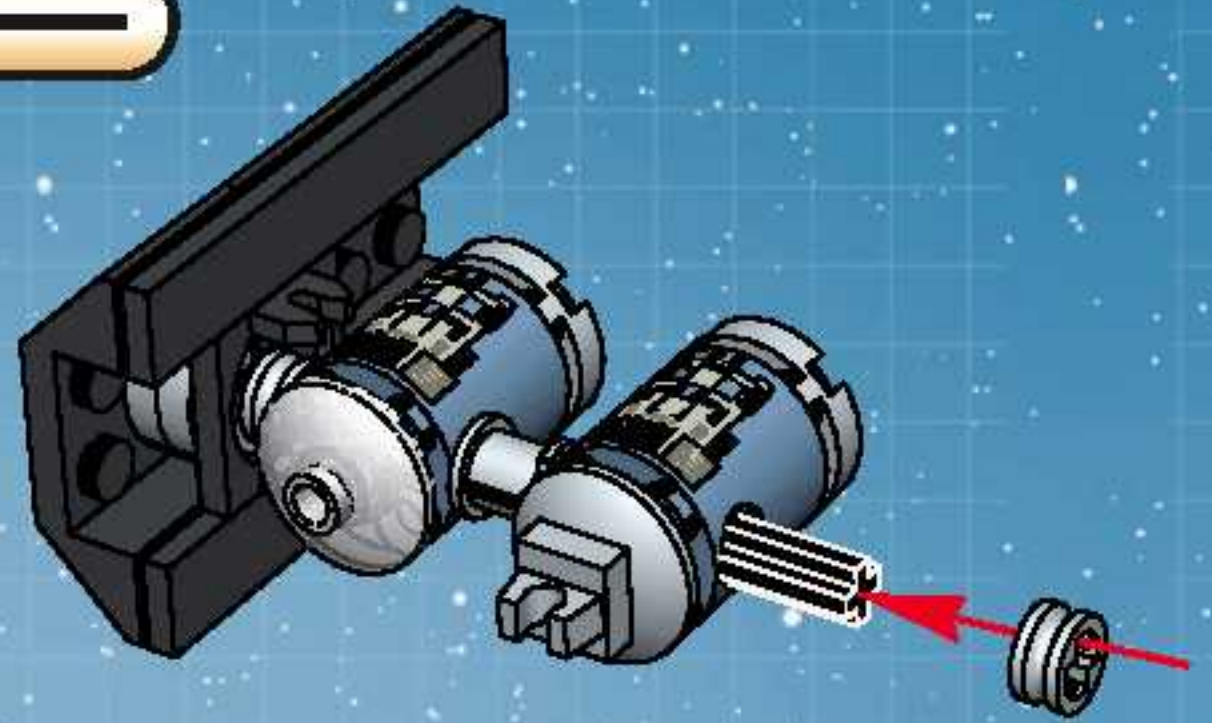
1



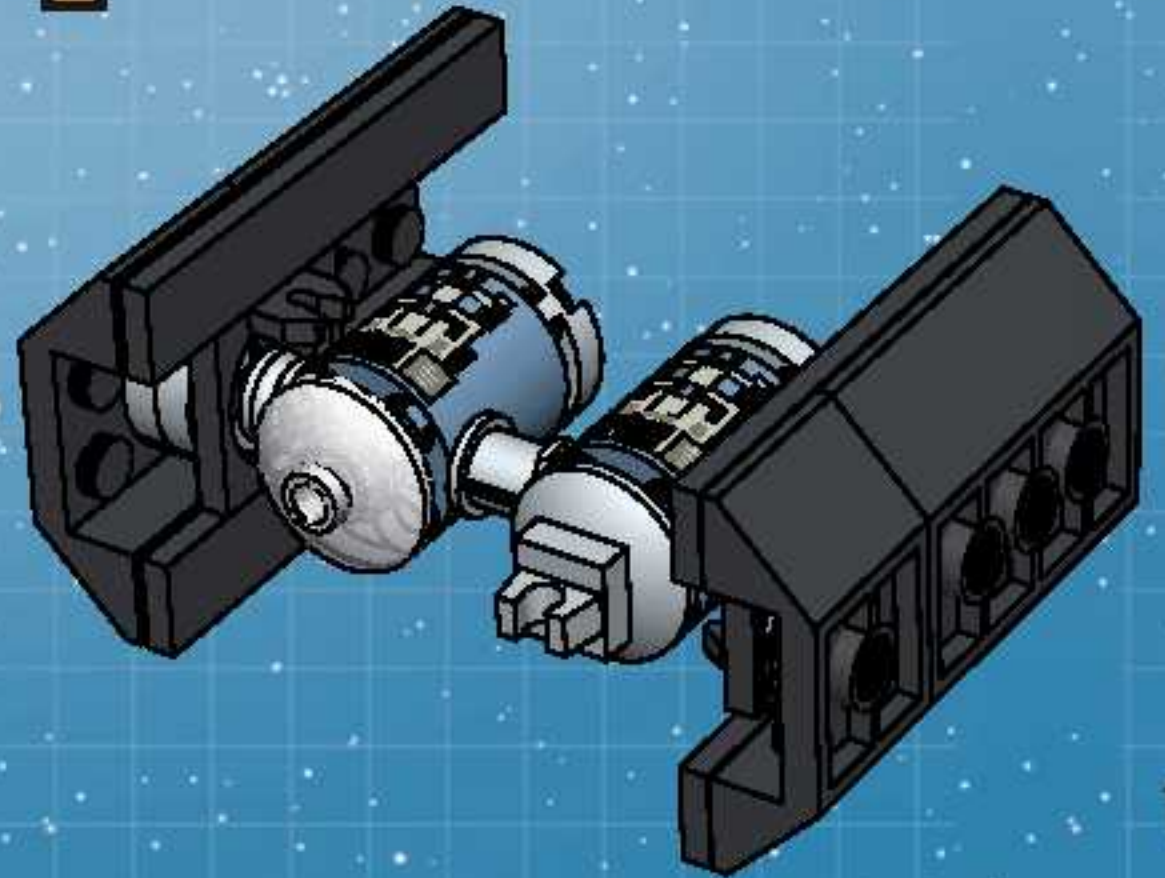
2



3



4





LEGO, the LEGO logo and the minifigure are trademarks of the LEGO Group.  
© 2003 The LEGO Group.

© 2003 Lucasfilm Ltd. & TM. All rights reserved. Used under authorization.

