



SPEED
CHAMPIONS



LEGO.com/speedchampions

GAGNE

Rendez-vous au www.LEGO.com/RB2020 pour remplir un court questionnaire sur ce produit et courir la chance de gagner un fantastique ensemble LEGO®. Voir Conditions Générales

LEGO.com/RB2020

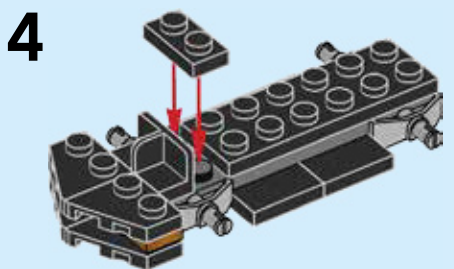
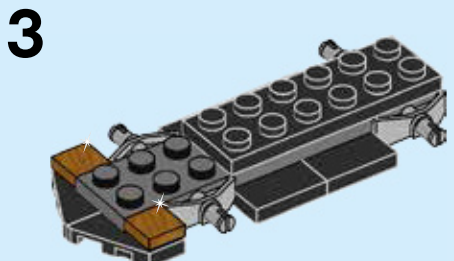
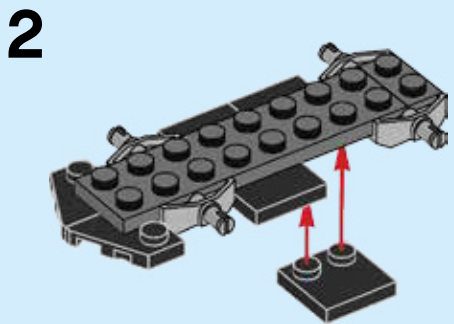
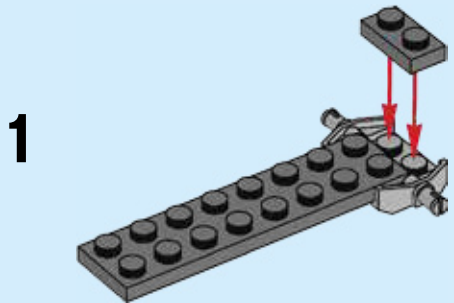
Terms & Conditions apply

WIN
GO TO WWW.LEGO.COM/RB2020 TO FILL OUT A SHORT SURVEY ON THIS PRODUCT FOR A CHANCE TO WIN A COOL LEGO® SET.

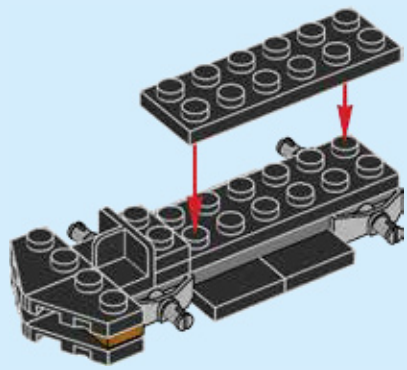


GANA

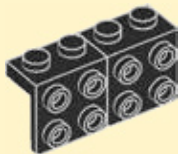
Visita www.LEGO.com/RB2020 y responde una breve encuesta sobre este producto. ¡Puedes ganar un fantástico set LEGO! Términos y Condiciones aplicables



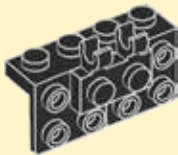
5



1



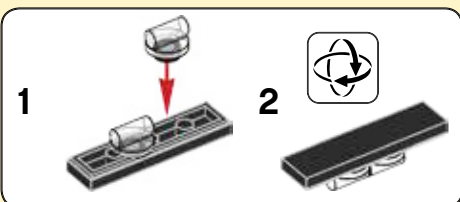
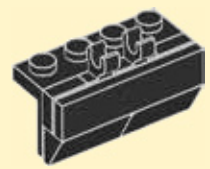
2



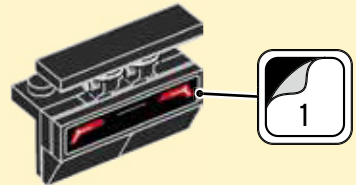
3



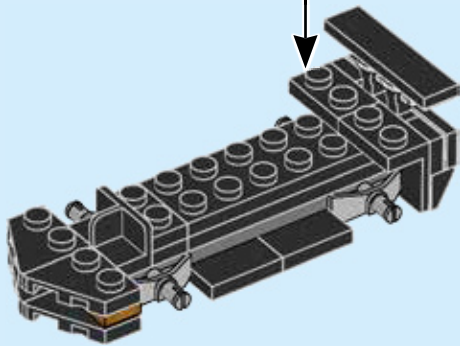
4



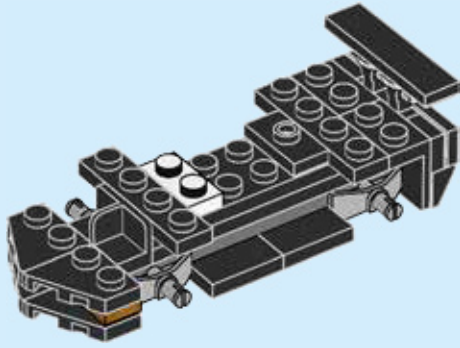
5



6

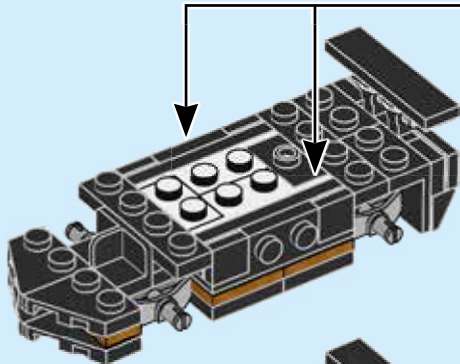


7

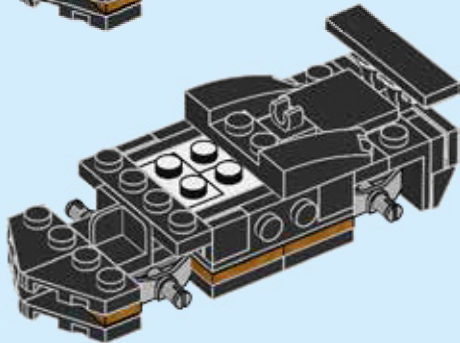


1 	3 	5
2 	4 	2x

8



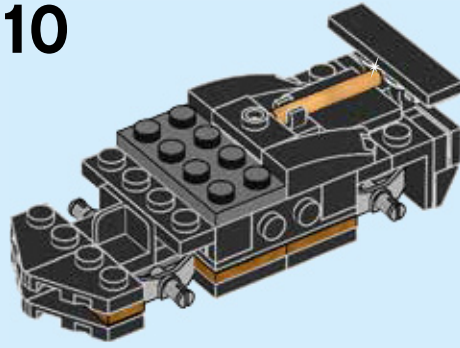
9



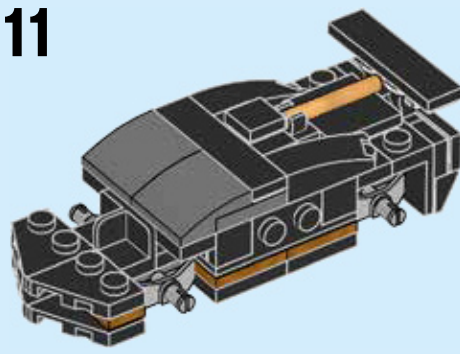
LEGO.com/service
 LEGO and the LEGO logo are trademarks of the sort de marques de commerce Hudson marcs registradas de LEGO Group.
 ©2020 The LEGO Group.
 The "Lamborghini" and "Lamborghini Bull and Shield" trademarks, copyrights, designs and models are used under license from Automobili Lamborghini S.p.A. Italy.

6309231

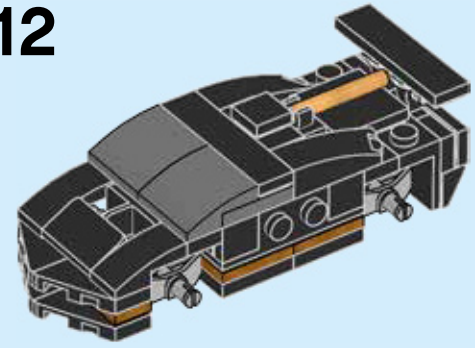
10



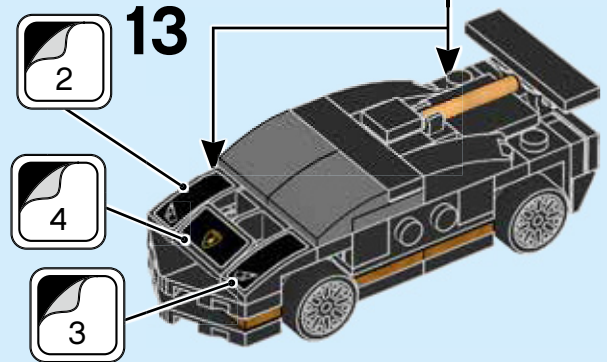
11



12



13



Produced under license of Ferrari S.p.A. The name FERRARI, the PRANCING HORSE device, all associated logos and distinctive designs are property of Ferrari S.p.A. The body designs of the Ferrari cars are protected as Ferrari S.p.A. property under design, trademark and trade dress regulations.

Nissan Motor Co., Ltd trademarks, designs, copyrights and/or other intellectual property rights are used under license.

The "Lamborghini" and "Lamborghini Bull and Shield" trademarks, copyrights, designs and models are used under license from Automobili Lamborghini S.p.A. Italy.

Manufactured under license from McLaren Automotive limited. The McLaren name and logo are registered trademarks of McLaren. Senna is the registered trademark of Ayrton Senna Empreendimentos Ltda.

Jaguar and the leaper device are trademarks owned and licensed by Jaguar Land Rover Limited.

Microsoft, Forza Horizon, and the Forza Motorsport Logo are trademarks of the Microsoft group of companies.

The MINI logo and the MINI wordmark are trademarks of BMW AG and are used under license. Austin and Morris are the trademarks of MG Motor UK Ltd, licensed by British Motor Heritage Ltd.

Under license of Porsche AG.

Officially Licensed by AUDI AG.

Drive in/Conduire dans/Conducélo en
FORZA HORIZON 4

*Requires Xbox Forza Horizon 4 game and Forza Horizon 4 LEGO® Speed Champions expansion, both sold separately. Parent must have valid Microsoft Account.
 *Nécessite le jeu Xbox Forza Horizon 4 et l'extension Forza Horizon 4 LEGO® Speed Champions, tous deux vendus séparément. Les parents doivent avoir un compte Microsoft valide.
 * Requiere el juego Forza Horizon 4 para Xbox y la expansión LEGO® Speed Champions para Forza Horizon 4, ambos de venta por separado. El adulto debe tener una cuenta Microsoft válida.