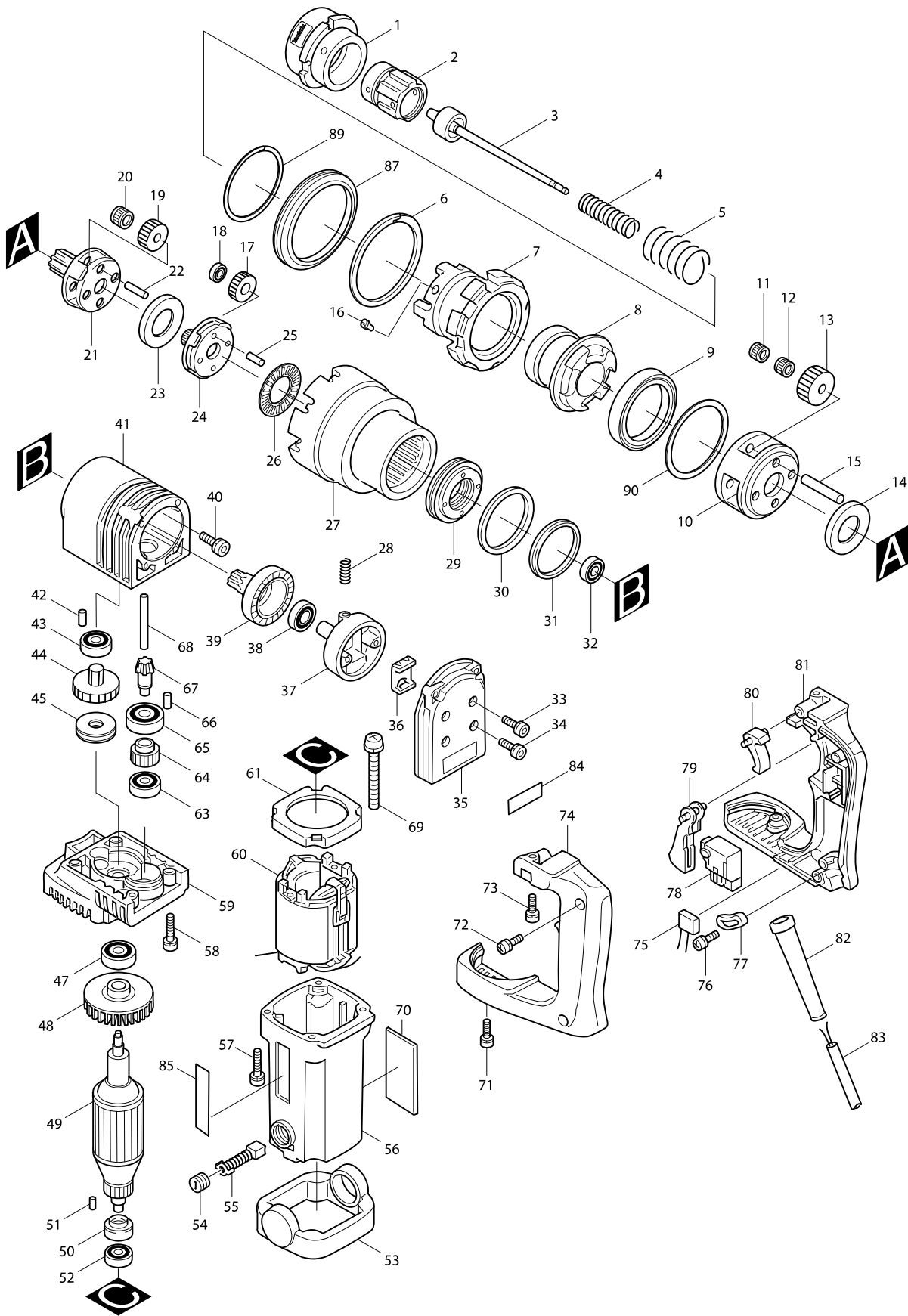


Model No. 6922NB SHEAR WRENCH



Model No. 6922NB SHEAR WRENCH

Item	Parts No.	Description	I/C	QTY	N/O	Opt. 1	Opt. 2	NOTE
001-2	153909-6	OUTER SLEEVE 22-39 COMPLETE		1		84679900		
002-1	764348-1	INNER SLEEVE 22-39 COMPLETE		1	*	73182990		
002-2	764418-6	INNER SLEEVE 22-39 COMPLETE	O	1		73182990		
003	165074-9	CHIP ROD		1		84679900		
004	233087-9	COMPRESSION SPRING 13		1		73209090		
005-1	234143-8	COMPRESSION SPRING 25		1		73209090		
006-1	257940-5	SPIRO LOCK WASHER 70		1		73182990		
007-2	325688-8	OUTER SUPPORT		1		73182990		
008-1	153872-3	INNER SUPPORT COMPLETE		1		84679900		
009-1	211611-8	BALL BEARING 6810		1		84821090		
010-1	310147-5	CARRIER		1				
011-1	212954-1	NEEDLE CAGE 810		4		73182990		
012-1	212954-1	NEEDLE CAGE 810		4		73182990		
013-1	227117-6	SPUR GEAR 20		4				
014	216207-0	WASHER 2542		1		73182200		
015-1	256228-0	PIN 8		4		73182990		
016	266022-2	- SET SCREW(DOG POINT) M8X8		2		73181500		
017	226269-0	SPUR GEAR 25		4		84834000		
018	211044-7	BALL BEARING 694		4		84821090		
019	226270-5	SPUR GEAR 25		4				
020-1	212954-1	NEEDLE CAGE 810		4		73182990		
021	226275-5	SPUR GEAR 11		1				
022	256227-2	PIN 8		4				
023	216207-0	WASHER 2542		1		73182200		
024	226273-9	SPUR GEAR 14		1		84834000		
025	256226-4	PIN 4		4		73182990		
026-1	216403-0	THRUST NEEDLE GAUGE 1528		1		73182200		
027-1	227118-4	INTERNAL GEAR 53-66		1		84679900		
028	233098-4	COMPRESSION SPRING 4		1		73209090		
029-1	323855-9	BRACKET		1		84679900		
030	257929-3	SPIRO LOCK WASHER 52		1		73182990		
031	257186-3	RING 44		1		73182990		
032	211221-1	BALL BEARING 6902		1		84821090		
033	911118-1	PAN HEAD SCREW M4X12		2		73181500		
034	922123-3	HEX. SOCKET HEAD BOLT M4X14		4		73181500		
035	415353-8	REAR COVER		1		84679900		
036	344062-1	STOPPER PLATE		1		73182990		
037	311930-3	ROD SUPPORTER		1		84679900		
038	211082-9	BALL BEARING 699		1		84821090		
039	226812-5	GEAR 14-41		1		84679900		
040	922123-3	HEX. SOCKET HEAD BOLT M4X14		4		73181500		
041-1	159930-3	GEAR CASE COMPLETE		1		84679900		
D10		INC. 42,66						
042	263002-9	RUBBER PIN 4		1		40169390		
043-1	210013-5	BALL BEARING 698VV		1		84821090		
044-1	226475-7	HELICAL GEAR 30		1		84834000		
045-1	212048-2	THRUST NEEDLE BEARING 617		1		84821090		
047-1	211097-6	BALL BEARING 6000LLB		1		84821090		

Model No. 6922NB SHEAR WRENCH

Item	Parts No.	Description	I/C	QTY	N/O	Opt. 1	Opt. 2	NOTE
048	241873-4	FAN 55		1		84145190		
049C1	517193-1	ARMATURE ASS'Y 220V		1		85030090		
	D10	INC. 48,50,52						
050	681614-0	INSULATION WASHER		1		73182200		
051	263014-2	RUBBER PIN 4		1		40169390		
052	211028-5	BALL BEARING 627LB		1		84821090		
053	421485-1	PROTECTOR		1				
054	643550-8	BRUSH HOLDER CAP 5-8		2		82078000		
055A_	191940-4	CARBON BRUSH CB-411		1		85452000		
056	159675-3	MOTOR HOUSING COMPLETE		1		84679900		
	C11	643932-4	BRUSH HOLDER 6X9		2	82078000		
	D10		INC. 51					
057-1	922909-5	HEX. SOCKET HEAD BOLT M4X35		4				
058	922148-7	HEX. SOCKET HEAD BOLT M4X25		4		73181500		
059-3	134788-1	GEAR HOUSING ASS'Y		1		84834000		
	C10	344470-6	BEARING RETAINER		1	73182990		
	C20	911111-5	PAN HEAD SCREW M4X10 WITH W		3	73181500		
	D10		INC. 47					
060C_	593268-0	FIELD ASS'Y 220V		1		85030090		
	C10	654100-4	RING TERMINAL		2	73182990		
	C20	654501-6	CONNECTOR P-1.25		2	73182990		
061	415350-4	BAFFLE PLATE		1		73182990		
063-1	211031-6	BALL BEARING 608LLB		1		84821090		
064-1	226476-5	HELICAL GEAR 18		1				
065-1	211097-6	BALL BEARING 6000LLB		1		84821090		
066	263002-9	RUBBER PIN 4		1		40169390		
067-1	134790-4	GEAR ASS'Y		1		84834000		
	C10	226711-1	SPIRAL BEVEL GEAR 12		1			
	D10		INC. 63,64,65					
068	256225-6	PIN 4		1		73182990		
069	911596-5	PAN HEAD SCREW M4X70		2				
070	857485-9	NAME PLATE 6922NB		1		83100090		
071	922148-7	HEX. SOCKET HEAD BOLT M4X25		2		73181500		
072	265925-7	TAPPING SCREW BT4X20		2		73181500		
073	922148-7	HEX. SOCKET HEAD BOLT M4X25		2		73181500		
074	182634-2	HANDLE SET		1		84679900		
	D10		INC. 81					
076	265995-6	TAPPING SCREW 4X18		2		73181500		
077A_	687052-4	STRAIN RELIEF		1		84679900		
078	651835-8	SWITCH SP215C		1		85366990		
079	414436-1	SWITCH LEVER		1		39269099		
080	311928-0	CHIP LEVER		1		84679900		
081	182634-2	HANDLE SET		1		84679900		
	D10		INC. 74					
082B_	682503-2	CORD GUARD 8-90		1		73182990		
083G_	666216-3	POWER SUPPLY CORD 1.5-2-2.5		1		85442090		
084	819031-6	MAKITA MARK		1				
085	819083-7	MAKITA MARK		1				

Model No. 6922NB SHEAR WRENCH

Item	Parts No.	Description	I/C	QTY	N/O	Opt. 1	Opt. 2	NOTE
087-1	324447-7	SPACER		1		84679900		
089	257941-3	SPIRO LOCK WASHER 62		1		73182990		
090	267282-9	FLAT WASHER 60		1		73182200		
A01-1	764361-9	OUTER SLEEVE 20-37		1		73182990		
A02-1	764349-9	INNER SLEEVE 20-38 COMPLETE		1	*	73182990		
A02-2	764417-8	INNER SLEEVE 20-38 COMPLETE	O	1		73182990		
A03	783001-0	(-) SCREWDRIVER 6		1				
A04-1	823276-0	STEEL CARRYING CASE		1				
C10	819143-5	MAKITA LABEL		1		83100090		