

**POWER CONNECTIONS**  
 +5V: PIN 20 OF U8, 13, 14, 20  
 PIN 24 OF U9, 15, 23  
 PIN 14 OF U1, 2  
 GND: PIN 10 OF U8, 13, 14, 20  
 PIN 12 OF U9, 15, 23  
 PIN 7 OF U1, 2

REVISIONS					
ZONE	LTR.	EFFECT.	DESCRIPTION	DATE	APPROVED

UNOS. USED: 1, 2, 8, 9,  
 10, 13, 14, 15,  
 16, 20, 22, 23

**PROPRIETARY INFORMATION**  
 This document contains information that is the property of Non-Linear Systems, Inc. and is to be controlled by this organization or company without the permission of Non-Linear Systems, Inc.

QTY REQD	PART OR IDENTIFYING NO.	NOMENCLATURE OR DESCRIPTION	MFR CODE	CIRCUIT REF.	ITEM NO.
----------	-------------------------	-----------------------------	----------	--------------	----------

PARTS LIST  
**NLS** NON-LINEAR SYSTEMS, INC.  
 DEL MAR, CALIFORNIA

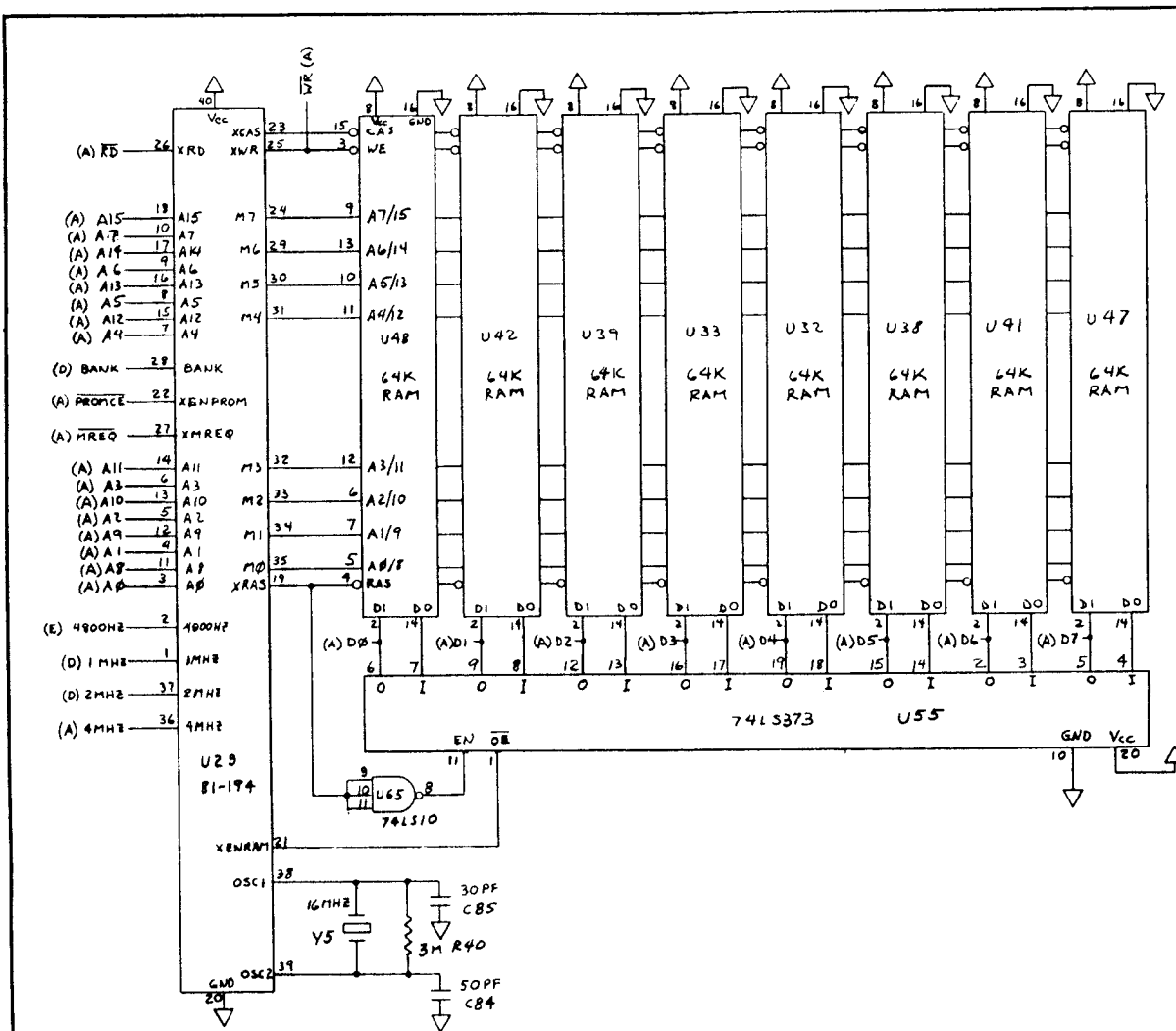
UNLESS OTHERWISE SPECIFIED  
 DIMENSIONS ARE IN INCHES  
 TOLERANCES ON  
 DECIMALS ± .010  
 FRACTIONS ± 1/32  
 ANGLES ± 0° 30'

CONTR. NO.  
 DRAWN RJS 2-29-81  
 CHECK  
 APPR RWS 2-27-81  
 RELEASE DATE 3-6-81 KS1  
 Board REV A

**SCHMATIC, VIDEO**  
 KAYPRO 2/84  
 SIZE C CODE IDENT NO. 03626  
 81-295  
 SCALE WEIGHT SHEET 2 B

APPLICATION	NEXT ASSY.	FINAL ASSY.	NEXT FINAL ASSY.	QTY.
-------------	------------	-------------	------------------	------

6-31



REVISIONS					
ZONE	LTR.	EFFECT.	DESCRIPTION	DATE	APPROVED

U NOS USED: 29, 48, 42,  
39, 33, 32, 38, 41, 47, 55,  
65

**PROPRIETARY INFORMATION**

Not for distribution or transmission to any other person or organization or company without the permission of Kaypro Corporation

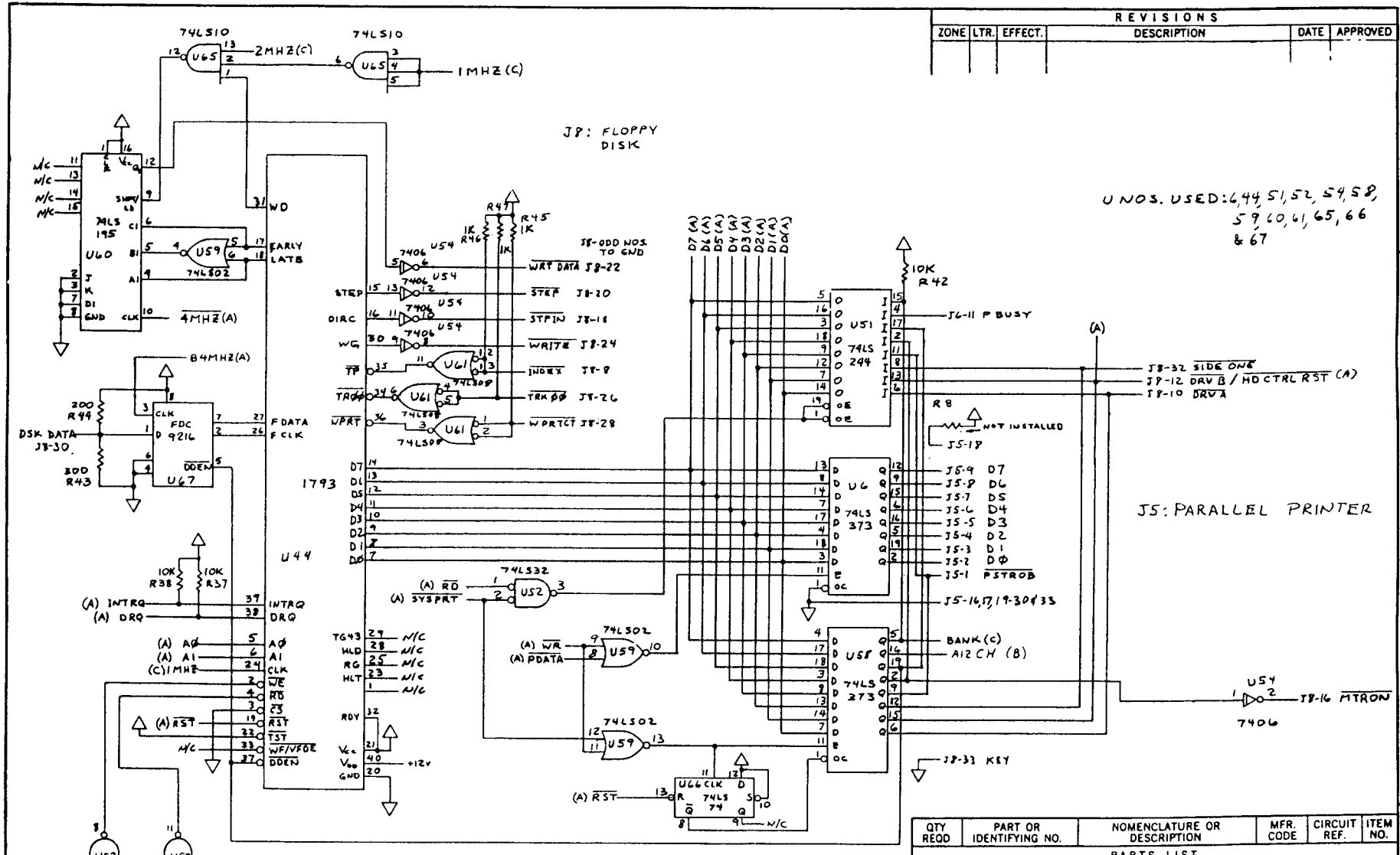
QTY REQD	PART OR IDENTIFYING NO.	NOMENCLATURE OR DESCRIPTION	MFR. CODE	CIRCUIT REF.	ITEM NO.
PARTS LIST					

UNLESS OTHERWISE SPECIFIED		CONTR. NO.
DIMENSIONS ARE IN INCHES		DRAWN RJS 2-29-84
TOLERANCES ON		CHECK
DECIMALS ± .010	ANGLES ± 0° 30'	APPR RJS 2-29-84
FRACTIONS ± 1/32		RELEASE DATE 3-6-84 KSI
MATERIAL	BOARD REV A	

NON-LINEAR SYSTEMS, INC. DEL MAR, CALIFORNIA		
SCHEMATIC, RAM		
KAYPRO 2/84		
SIZE	CODE IDENT NO.	
C	03626	81-295
SCALE	WEIGHT	SHEET 2 C

NEXT ASSY.	FINAL ASSY.	NEXT ASSY.	FINAL ASSY.
APPLICATION		QTY.	

REVISIONS					
ZONE	LTR.	EFFECT.	DESCRIPTION	DATE	APPROVED



U NOS. USED: 644, 51, 52, 54, 58,  
59, 60, 61, 65, 66  
& 67

6-32

**PROPRIETARY INFORMATION**  
 No. For Circulation  
 Only for use by  
 Non-Linear Systems, Inc.  
 or its authorized  
 agents. All other  
 information is  
 confidential.

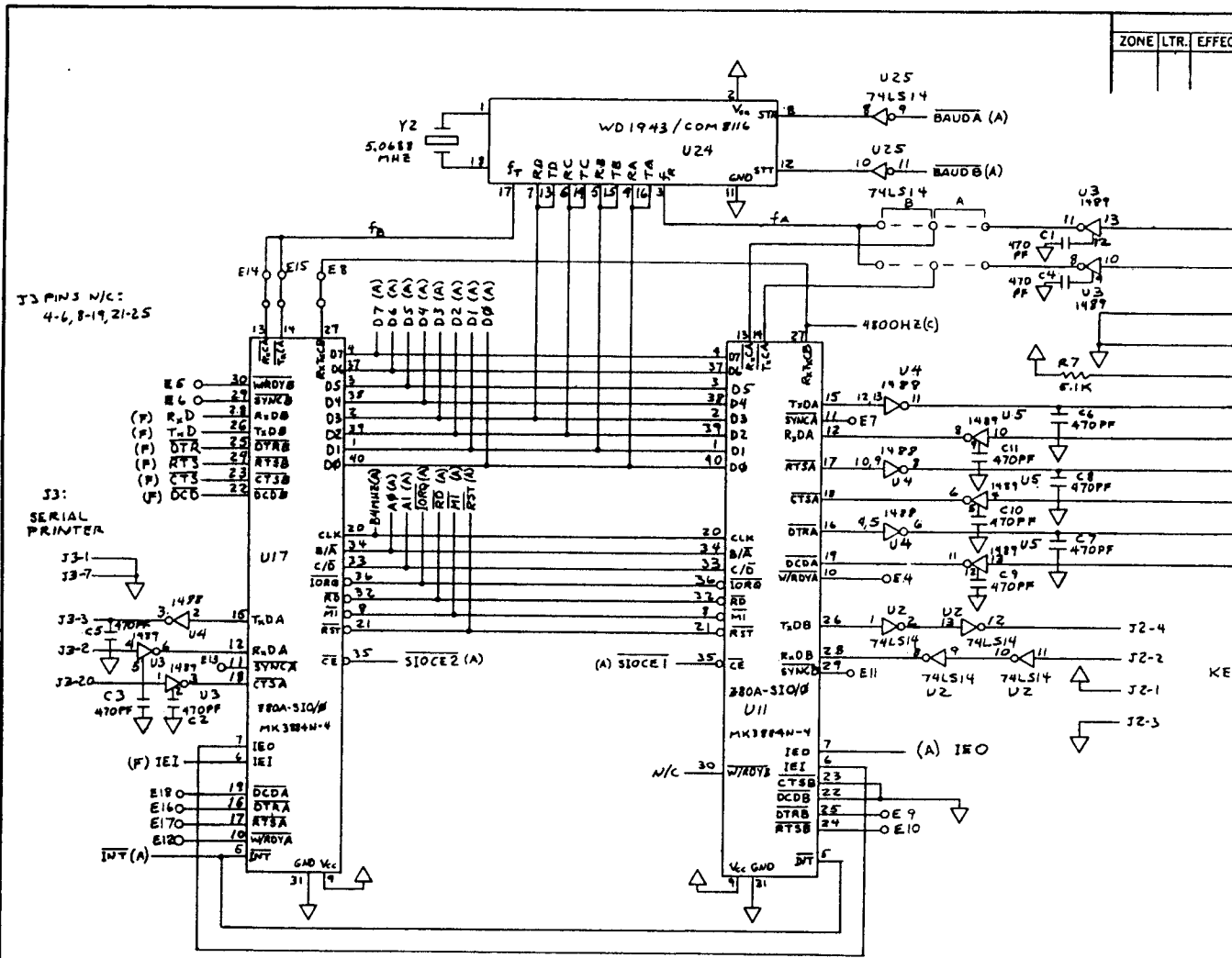
QTY RECD	PART OR IDENTIFYING NO.	NOMENCLATURE OR DESCRIPTION	MFR. CODE	CIRCUIT REF.	ITEM NO.

UNLESS OTHERWISE SPECIFIED		
DIMENSIONS ARE IN INCHES		
TOLERANCES ON DECIMALS ± .010		
FRACTIONS ± 1/32		
ANGLES ± 0° 30'		
CONTR. NO.		
DRAWN	RJ	2-27-84
CHECK		
APPR	RJ	2-29-84
RELEASE DATE 3-6-84 KSI		
MATERIAL		
BOARD REV A		

<b>NON-LINEAR SYSTEMS, INC.</b> DEL MAR, CALIFORNIA		<b>SCHEMATIC, FLOPPY CONTROL &amp; PARALLEL PRINTER</b> KAYPRO 2/84	
		SIZE <b>C</b>	CODE IDENT NO. <b>03626</b>
WEIGHT		SHEET <b>2 D</b>	

NEXT ASSY.	FINAL ASSY.	NEXT FINAL ASSY.	FINAL ASSY.	QTY.

REVISIONS					
ZONE	LTR.	EFFECT.	DESCRIPTION	DATE	APPROVED



J3 PINS N/C:  
4-6, 8-19, 21-25

J3:  
SERIAL  
PRINTER

PWR TO U4: +12V TO PIN 14  
GND TO PIN 7  
-12V TO PIN 1

U NOS. USED: 23, 4, 5, 11  
17, 24, 25

J4:  
SERIAL  
DATA CHANNEL

J4 PINS N/C: 9-14, 16, 19, 21-25

J2:  
KEYBOARD

**PROPRIETARY  
INFORMATION**

Not for distribution  
or transmission to  
any other person  
organization or  
company without  
the permission of  
Kaypro Corporation

QTY REQD	PART OR IDENTIFYING NO.	NOMENCLATURE OR DESCRIPTION	MFR. CODE	CIRCUIT REF.	ITEM NO.

**NON-LINEAR SYSTEMS, INC.**  
DEL MAR, CALIFORNIA

**SCHEMATIC, SERIAL PORTS**

KAYPRO 2184

SIZE	CODE IDENT NO.	81-295
C	03626	81-295
SCALE	WEIGHT	SHEET 2 E

UNLESS OTHERWISE SPECIFIED	CONTR. NO.	
DIMENSIONS ARE IN INCHES	DRAWN	R J 2-29-84
TOLERANCES ON	CHECK	
DECIMALS ± 0.01	APPR	R J 2-29-84
FRACTIONS ± 1/32	RELEASE DATE	3-6-84/RSJ
MATERIAL	BOARD REV	A

APPLICATION	QTY.
NEXT ASSY.	
FINAL ASSY.	
NEXT FINAL ASSY.	

6-33

