

## Compressor Technical Data

Model **EGM75AZ** Code **550090370116**

**LBP**

### General Data

|                                |                    |
|--------------------------------|--------------------|
| Refrigerant:                   | R134a              |
| Application:                   | LBP                |
| Evaporating Temperature Range: | -30°C to -10°C     |
| Voltage/Frequency:             | 220-240V 50Hz 1~   |
| Compressor Cooling:            | Static             |
| Expansion Device:              | Capillary Tube     |
| Packaging Quantity:            | Multi - 96:120 pcs |
| Approvals:                     | CE-VDE-GOST        |



### Mechanical Data

|                         |                     |
|-------------------------|---------------------|
| Oil Charge:             | 300 cm <sup>3</sup> |
| Oil Type Configuration: | ester               |
| Oil Type Viscosity:     | 19 cSt              |
| Weight:                 | 9.74 kg             |

### Electrical Data

|                                 |                 |
|---------------------------------|-----------------|
| Motor Type:                     | RSIR / RSCR*    |
| Voltage working range at 50 Hz: | 187-264V        |
| Maximum Motor Temperature:      | 130°C           |
| Locked Rotor Current:           | 12.24 / 7.97 A  |
| Start Winding Resistance:       | 27.06 Ω at 25°C |
| Run Winding Resistance:         | 10.84 Ω at 25°C |
| Phase :                         | 1 ph            |

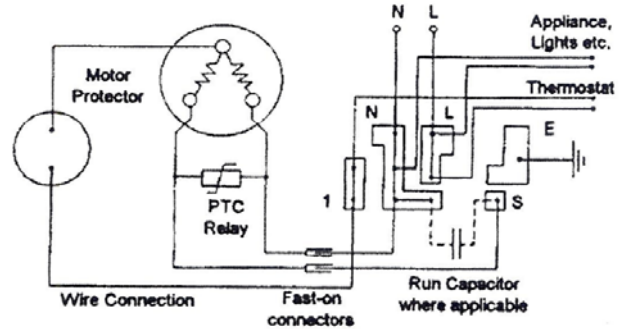
### External Characteristics

|                     |        |
|---------------------|--------|
| Internal Diameter   | (mm)   |
| Suction Connector   | 6.5    |
| Discharge Connector | 4.9    |
| Process Connector   | 6.5    |
| Material            | Copper |

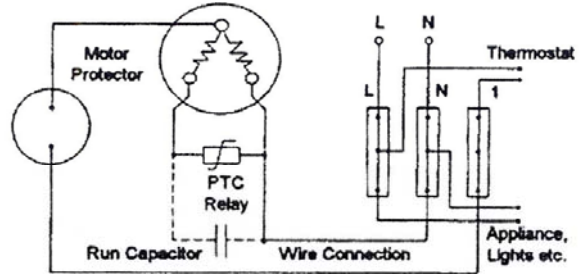
### Electrical Components

|                   |          |
|-------------------|----------|
| Component Type    |          |
| Starting Device:  | PTC 14Ω  |
| Motor Protection: | T0296/xx |

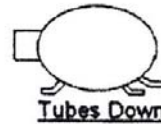
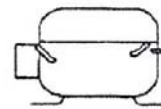
Circuit Diagram for Mod.90 Terminal Board



Circuit Diagram for U.H. Terminal Board



Recommended Transport  
Positions when fitted into  
appliances



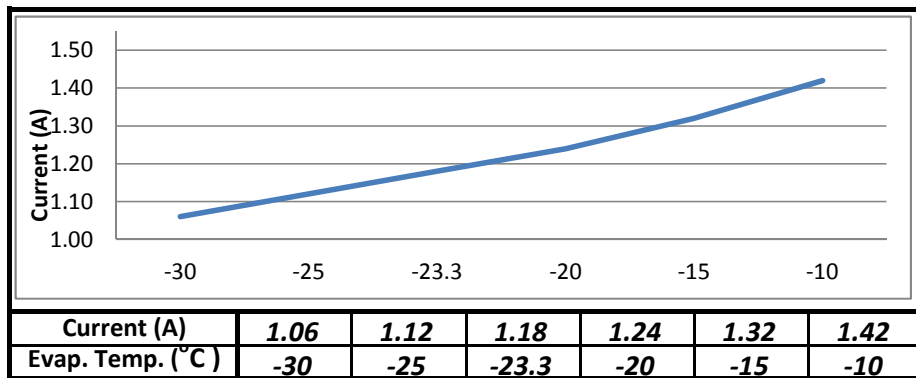
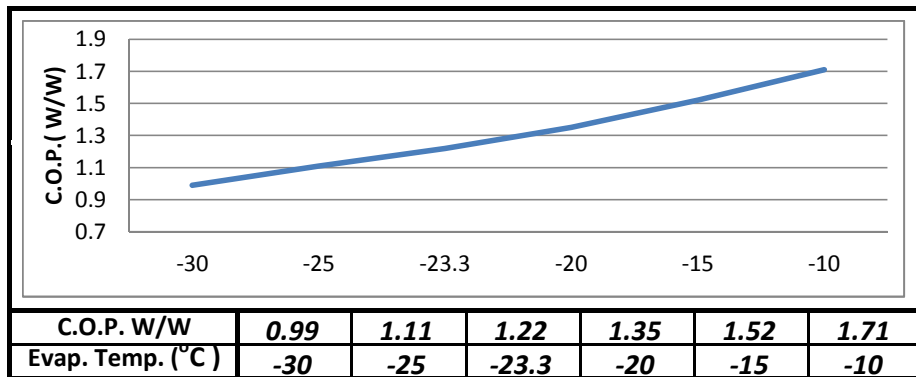
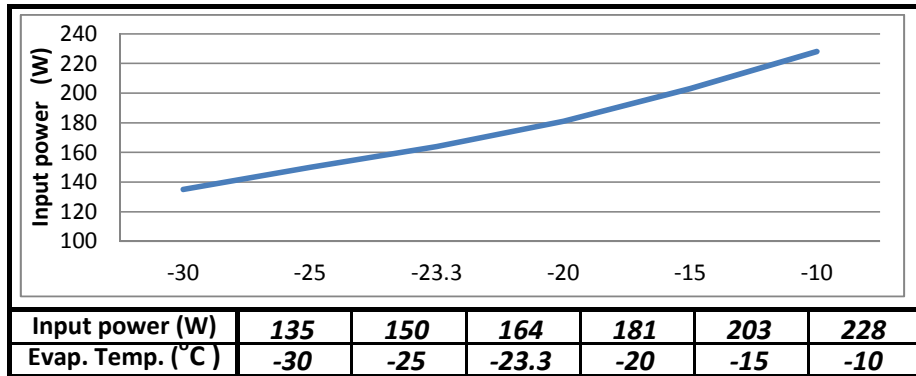
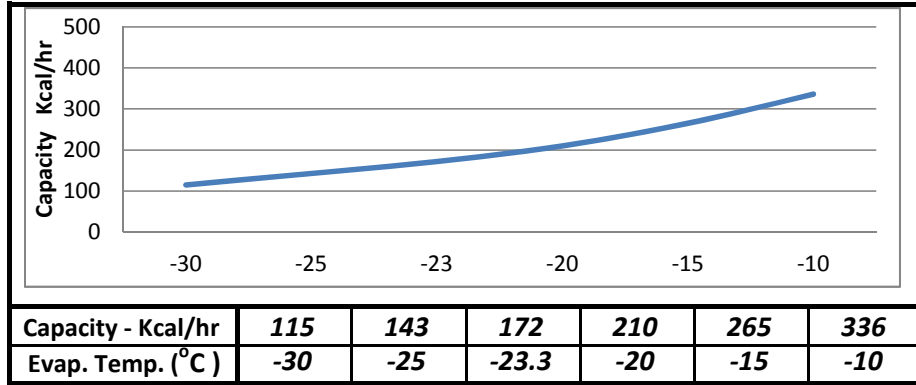
MCMC compressors reserves the right to change the data without prior notice

10th of Ramadan City - (Cairo) Egypt  
Industrial Zone A-2  
P.o Box : 1001 ( 10th of Ramadan )  
Tel. : 0554 - 413322 ( 10 lines )  
Fax. : 0554 - 413161 - 413029  
Web site : <http://www.zmcegypt.com>



العاشر من رمضان  
المنطقة الصناعية أ - ٢  
ص.ب : ١٠٠١ العاشر من رمضان  
تليفون : ٤١٣٣٢٢ - ٠٥٥٤ ( ١٠ خطوط )  
فاكس : ٤١٣١٦١ - ٤١٣٠٢٩ ( ٠٥٥٤ )

**PERFORMANCE CURVE DATA :**



Test Condition: Ashrae, Static, Return Gas 32°C Subcooling OK, Evaporating: 23.3°C, Condensing: 55°C , Ambient: 32°C

10th of Ramadan City - (Cairo) Egypt  
 Industrial Zone A-2  
 P.o Box : 1001 ( 10th of Ramadan )  
 Tel. : 0554 - 413322 ( 10 lines )  
 Fax. : 0554 - 413161 - 413029  
 Web site : <http://www.zmcegypt.com>



العاشر من رمضان  
 المنطقة الصناعية أ - ٢  
 ص.ب : ١٠٠١ العاشر من رمضان  
 تليفون : ٠٥٥٤ - ٤١٣٣٢٢ ( ١٠ خطوط )  
 فاكس : ٤١٣١٦١ - ٤١٣٠٢٩ ( ٠٥٥٤ )

**GM, GN and GL models**

**HL and HP models**

Standard dimensions for mounting hole centres: 170x70 mm

**Special feet**

| Models         | Distance between holes | Holes diameter |
|----------------|------------------------|----------------|
| GM/GN/HL/HP/GP | 165 x 101.6            | 4 x 19         |
|                | 170 x 70               | 6 x 165        |

| Material              | Tube internal diameter "GM", "GN", "GL", "HL" |         |           | "HP" and "GP" |         |           |
|-----------------------|---|---------|-----------|---------------|---------|-----------|
|                       | Suction                                       | Service | Discharge | Suction       | Service | Discharge |
| Copper steel / copper | 6.1   | 6.1     | 4.9       |               |         |           |
| Copper                | 6.1   | 6.1     | 5.1       |               |         |           |
| Copper                | 6.5   | 6.5     | 4.9       |               |         |           |
| Copper                | 8.1   | 8.1     | 6.5       |               |         |           |

**Mounting accessories**

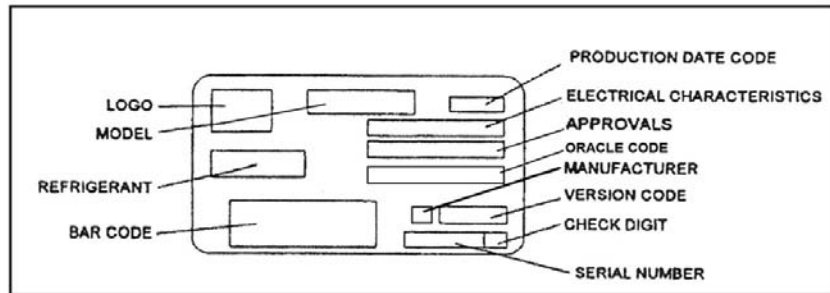
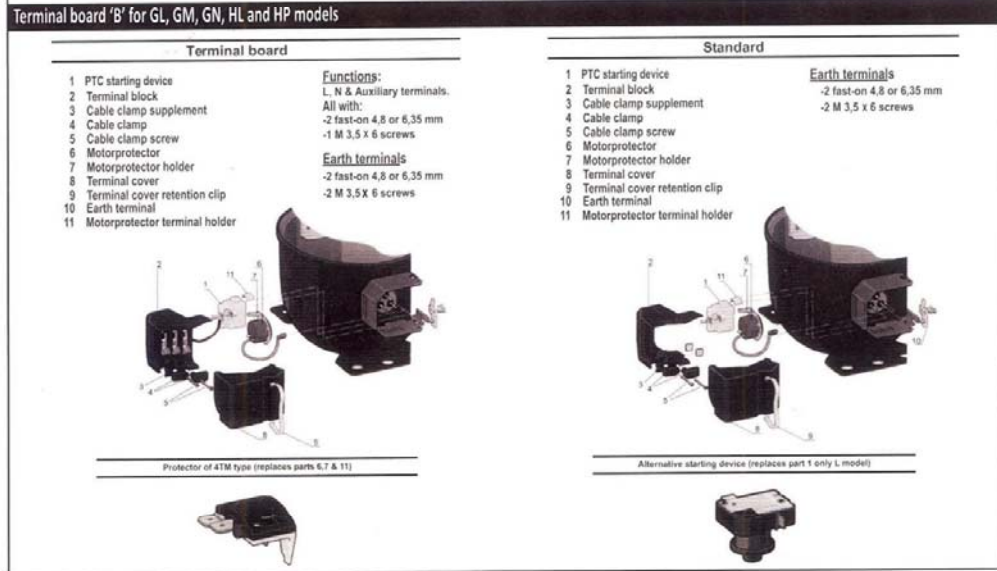
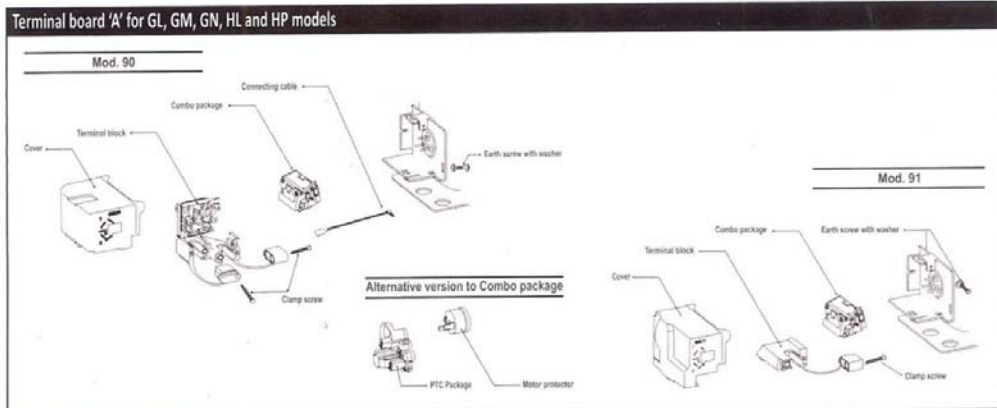
**Standard**

**Standard**

10th of Ramadan City - (Cairo) Egypt  
 Industrial Zone A-2  
 P.o Box : 1001 ( 10th of Ramadan )  
 Tel. : 0554 - 413322 ( 10 lines )  
 Fax. : 0554 - 413161 - 413029  
 Web site : <http://www.zmcegypt.com>



العاشر من رمضان  
 المنطقة الصناعية أ - ٢  
 ص.ب: ١٠٠١ العاشر من رمضان  
 تليفون : ٠٥٥٤-٤١٣٣٢٢ ( ١٠ خطوط )  
 فاكس : ٤١٣١٦١ - ٤١٣٠٢٩ (٠٥٥٤)



10th of Ramadan City - (Cairo) Egypt  
 Industrial Zone A-2  
 P.o Box : 1001 ( 10th of Ramadan )  
 Tel. : 0554 - 413322 ( 10 lines )  
 Fax. : 0554 - 413161 - 413029  
 Web site : <http://www.zmcegypt.com>



العاشر من رمضان  
 المنطقة الصناعية أ - ٢  
 ص.ب: ١٠٠١ العاشر من رمضان  
 تليفون : ٠٥٥٤- ٤١٣٣٢٢ ( ١٠ خطوط )  
 فاكس : ٤١٣١٦١ - ٤١٣٠٢٩ (٠٥٥٤)