

TRG101 and TRG101V2

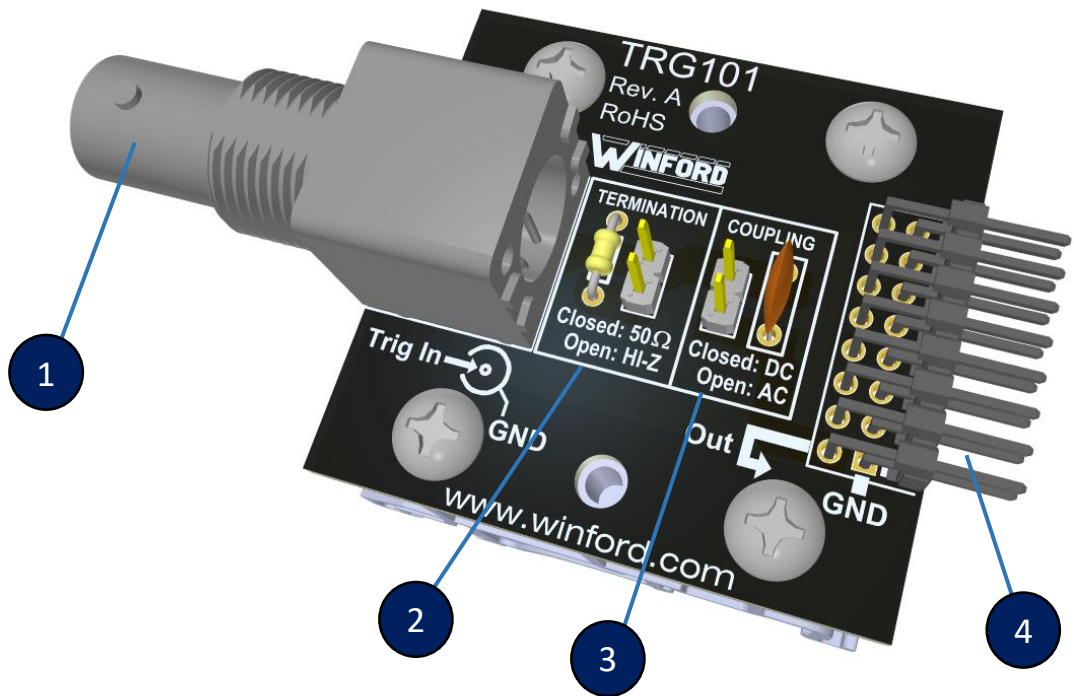
Trigger Adapter, BNC to 2x8 Header



Overview

This product provides a simple way to connect an oscilloscope's digital input to an external trigger source having a BNC connector. This is particularly useful for oscilloscopes that have digital inputs but not an external trigger input connector. An added benefit of using a digital input for triggering is that it allows the external trigger signal to be displayed.

Key Features



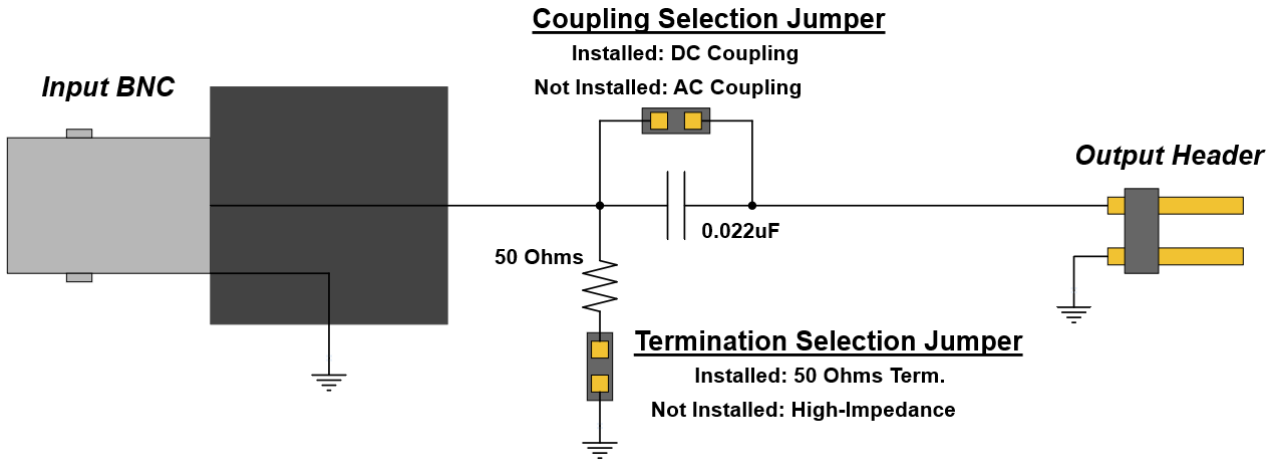
1	BNC connector (connects to external trigger source)
2	Option for 50 Ohm termination (jumper installed) or high-impedance (not installed)
3	Option for DC coupling (jumper installed) or AC coupling (not installed)
4	Pin header, 2x8, pitch of 0.1" (connects to oscilloscope digital inputs)

TRG101 and TRG101V2

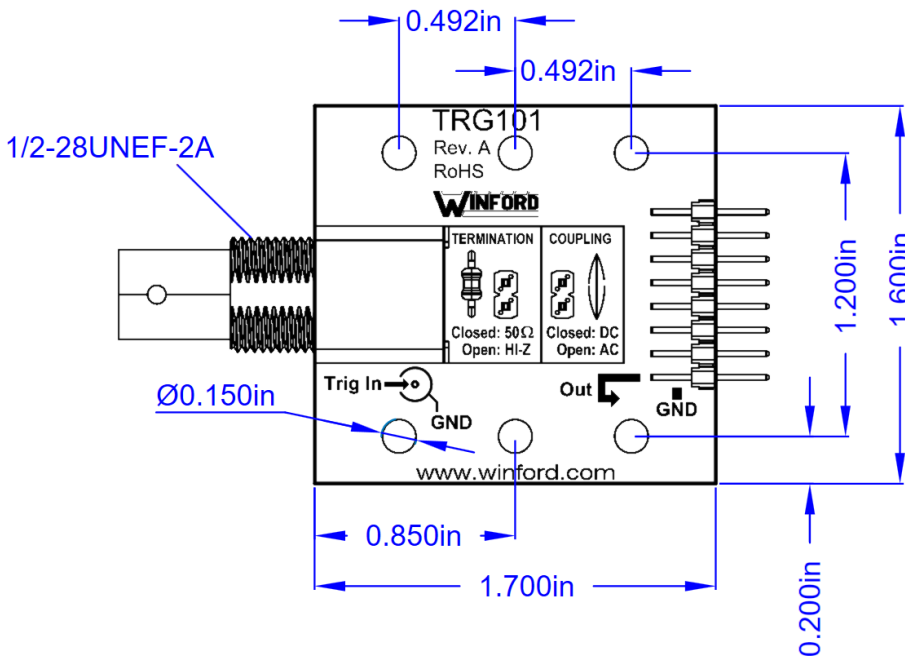
Trigger Adapter, BNC to 2x8 Header



Schematic



Mechanical Drawing



Product Changes

Products with "V2" in the part number (e.g. TRG101V2-DIN) use a slightly different BNC connector. The original BNC connector component used on non-V2 boards was discontinued by the manufacturer. The connectors used on V2 boards are slightly shorter, with the center contact of the BNC connectors being about 1.2mm closer to the PCB than on non-V2 boards.

TRG101 and TRG101V2

Trigger Adapter, BNC to 2x8 Header

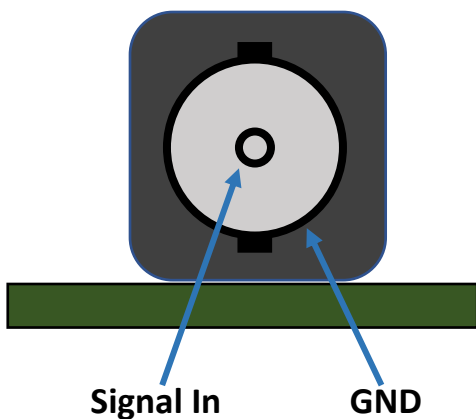


Additional Features

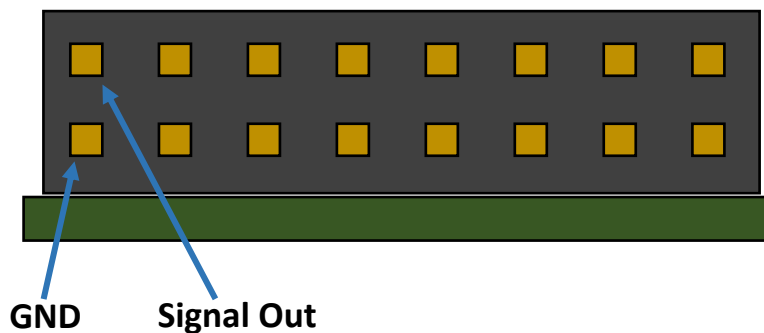
- PCB size: 1.7" x 1.6"
- Termination and coupling jumpers included
- Available with rubber feet (-FT version) or DIN clips (-DIN version)
- Assembled at Winford Engineering manufacturing facility in Michigan, USA

Pinouts

BNC Connector



2x8 Pin Header



Remaining pins in the 2x8 header are not connected.