



# LiDAR Navigation Robot Vacuum & Mop



**4200Pa Hyper Suction**  
For a deeper, powerful clean

## LiDAR & Gyro Dual Navi System

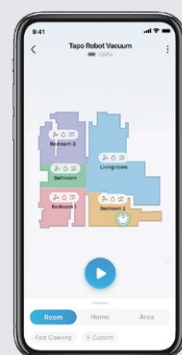
Higher precision mapping and navigation

## 3-Hour Continuous Clean

3200 mAh energy-dense battery†

## Customizable Room Cleaning

Merge and separate areas and customize clean modes for each room



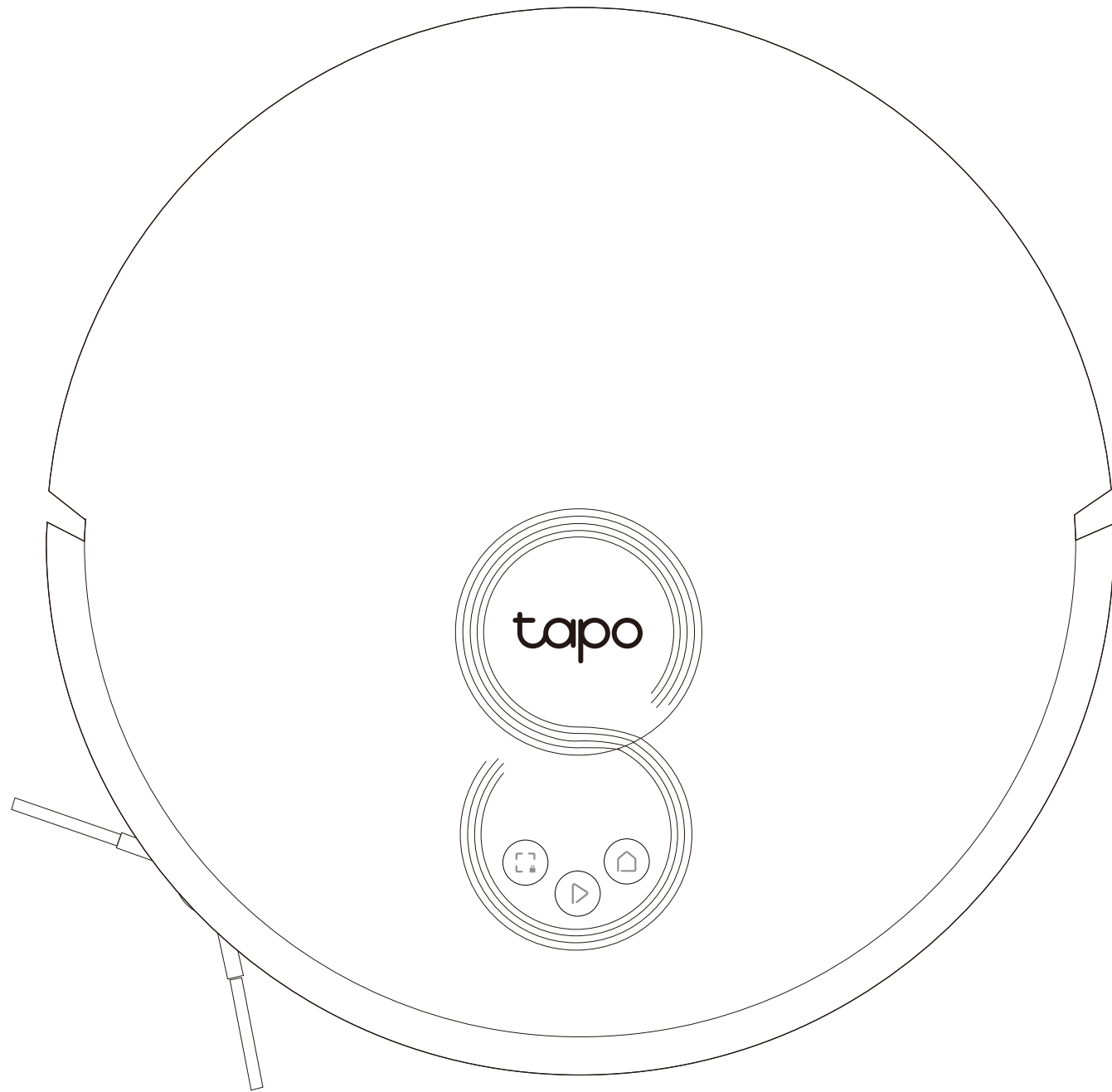
App Control



**Tapo RV30C Mop**

# // Overview

## Robot Vacuum



### ▶ Power/Clean

- Press once: Start/pause cleaning.
- Press and hold for 5 seconds: Turn on/off the robot vacuum.

\*For the first use, slide the power switch from OFF to ON to turn on.

### 🏠 Dock

- Return to the dock to charge.

### 🗄️ Spot Cleaning/Child Lock

- Press once: Start spot cleaning.
- Press and hold for 5 seconds: Turn on/off the child lock.

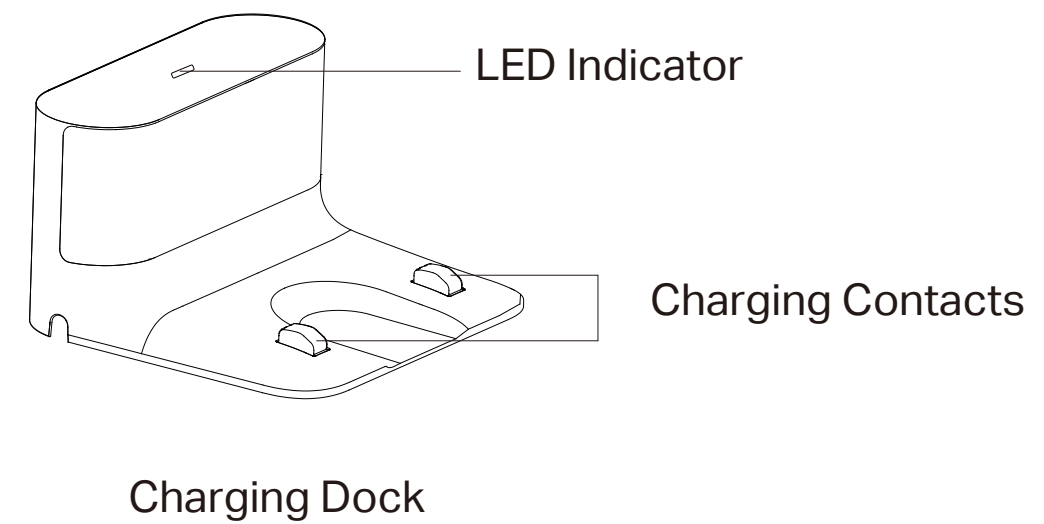
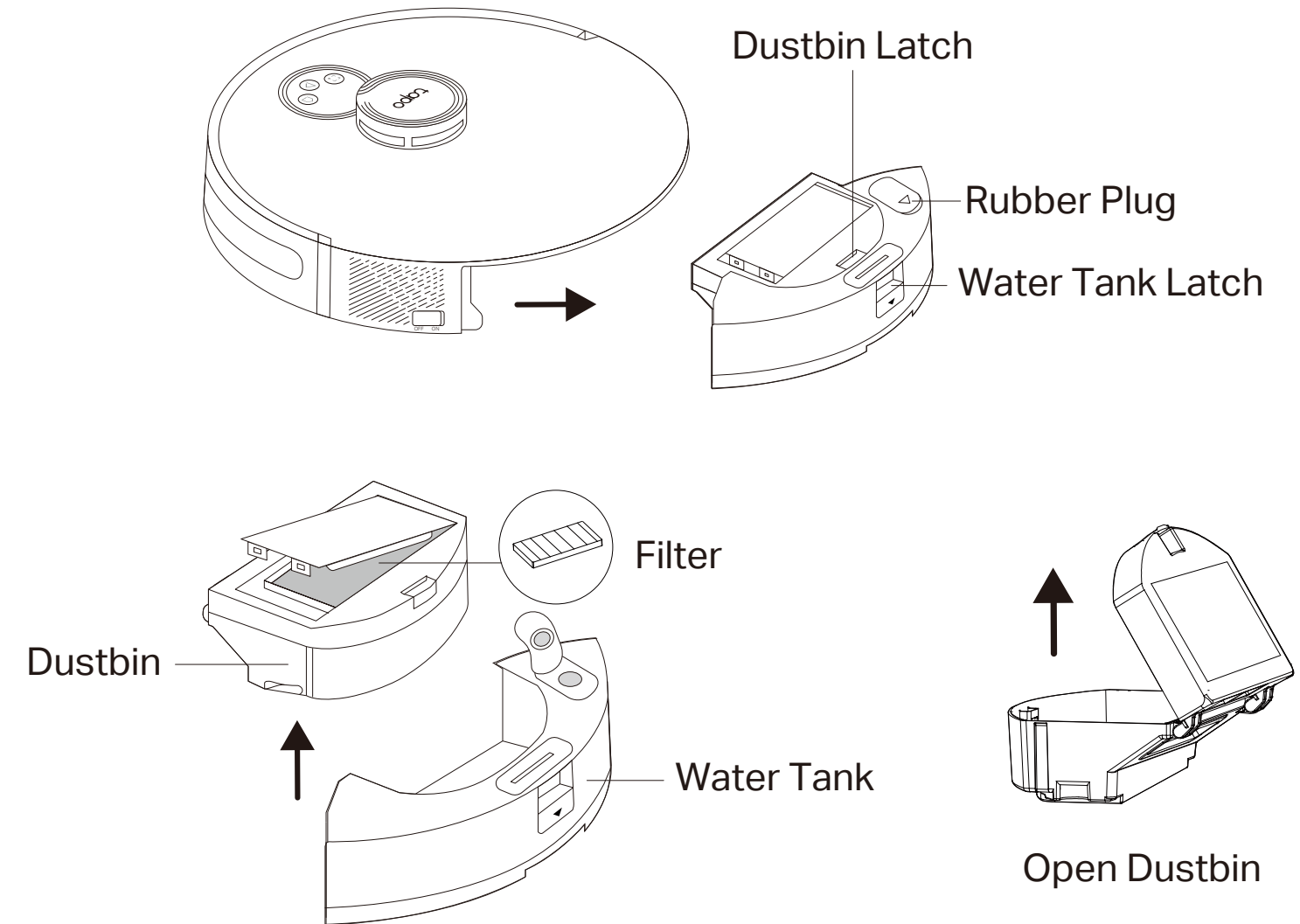
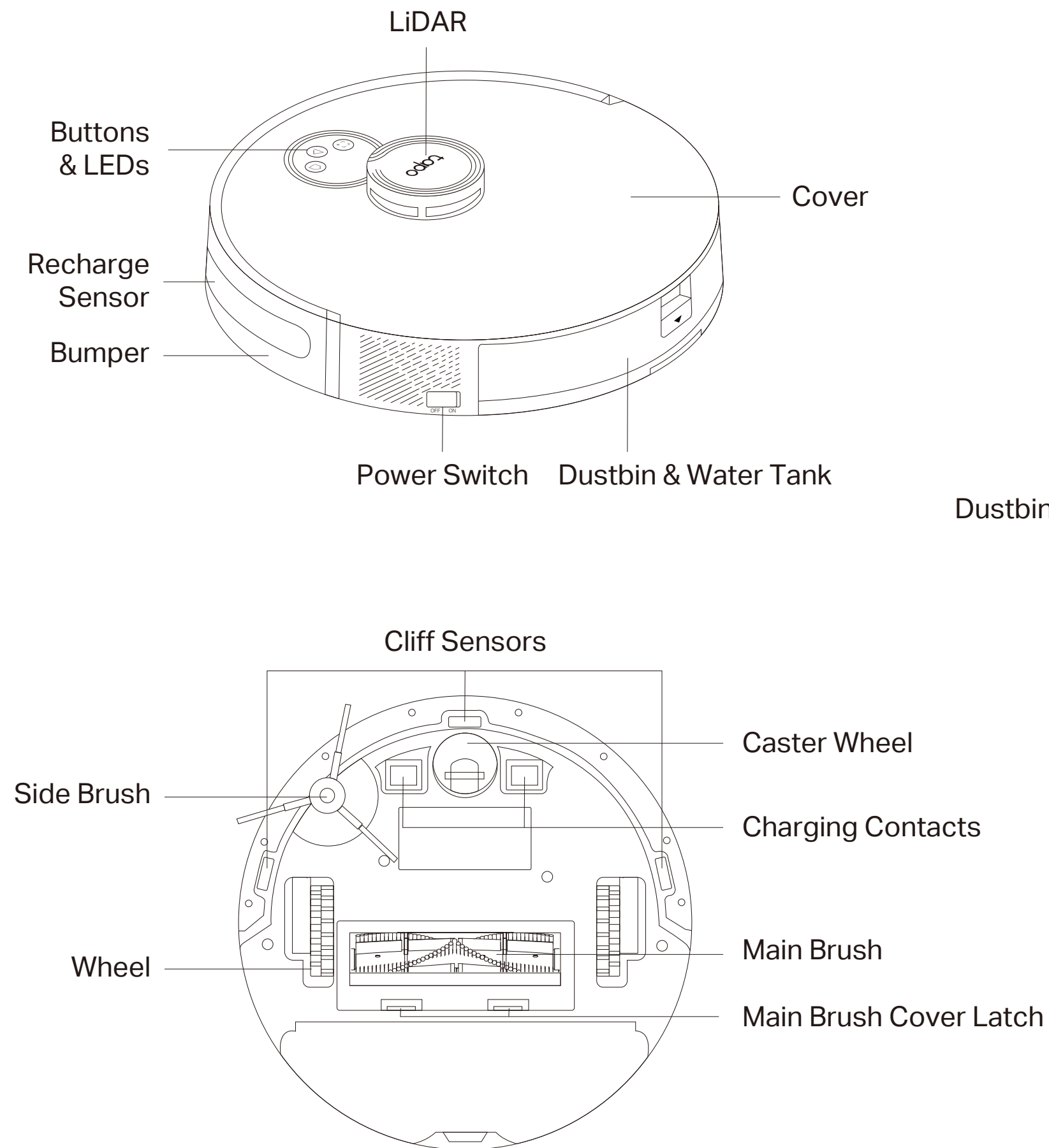
### 🏠 + 🗄️ Combination Button

- Press and hold simultaneously for 5 seconds: Enter setup mode to configure network.
- Press and hold simultaneously for 10 seconds: Restore to factory default settings.

### 🏠 LED

- **Red:** Battery level < 20%; Error
- **Orange:** Battery level between 20% and 80%
- **Green:** Battery level > 80%

# Overview



# // Highlights



## 4200Pa Hyper Suction

With industry-leading suction power up to 4200Pa, the Tapo Robot Vacuum is designed for a deeper clean that sweeps away debris sandwiched between gaps and dust hidden in carpets, leaving nothing but a spotless floor.

## 3-Hour Continuous Cleaning

3200 mAh battery provides long-lasting runtime and continuous cleaning.†

## Auto-Boost for Your Carpets

Automatically adjusts the suction power to the max mode when encountering carpets.

## 400ml Dust Bin Carries More

Holds even more debris, pet hair, and dust.



## High-Precision Dual Navi System

A LiDAR and Gyro dual navigation system serves as the brain and accurately maps out your home in minutes, avoids omissions and repeated cleaning, and even works well in the dark.

## 3+1 Local-Stored Maps

Recognizes different floors faster and accurately with 3+1 local-stored maps.

## Obstacle Detection and Avoidance

Laser-based sensors handle complex environments flexibly.

## Anti-Drop Protection

Multiple cliff sensors avoid falls down stairs and ledges.

# // Highlights



## Mops and Vacuums Simultaneously

Mopping is essential for houses with hard floors, which need regular polishing. Vacuuming and mopping in one trip turns your thankless chore time into me time.

### Huge Water Tank Capacity

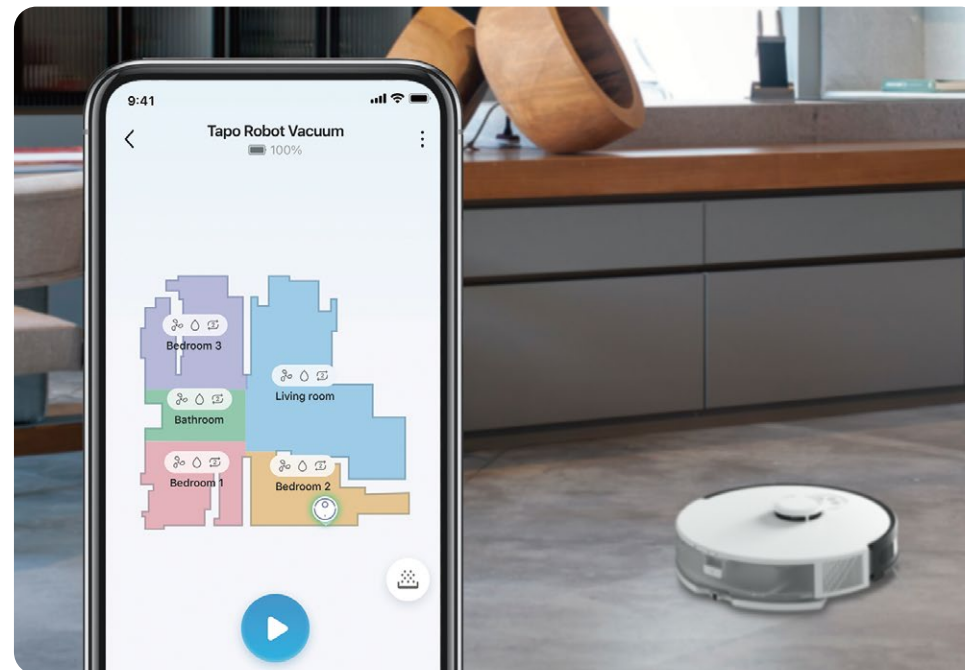
A full-size 300ml water tank covers up to 200 m<sup>2</sup> / 2100 ft<sup>2</sup>.‡

### 3-Level Electronic Mopping

Provides 3 water flows to suit different floor types with consistent and steady water pressure.

### Wet Hard Surfaces, Dry Carpets

Set no-go zones or virtual walls via the Tapo app to keep your carpets nice and dry.



## Total Control at Your Fingertips

Cleaning made simple. Manage your own cleaning schedule and monitor your robot's status at home or away with the Tapo app.

### Customizable Cleaning

Merge and separate areas, name individual rooms, and customize clean modes for each room.

### Virtual Walls and No-Go Zones

Set up areas you don't want the robot to go via the Tapo app.

### Simple Voice Control

Pair with Alexa or Google Home to control with voice commands.

# // Specifications

## Care and Maintenance

To maintain optimal performance, maintain the robot vacuum according to the following guidelines.

Part	Maintenance Frequency	Replacement Frequency*
Dustbin	Clean/wash as needed	/
Filter	Once a week	3-6 months
Main Brush	Every 2 weeks	6-12 months
Side Brush	Once a month	3-6 months
Mop Cloth	After each use	2-3 months
Caster Wheel	Clean as needed	/
Main Wheels	Once a month	/
Sensors	Once a month	/
Charging Contacts	Once a month	/

\*Replacement frequency may vary depending on the actual situation. Parts should be replaced if visible wear appears.

# // Specifications

## Mapping & Navigation Features

- Mapping/Path Planning: LiDAR + Gyroscope
- High-Precision Map: Yes
- Obstacle Avoidance: LiDAR
- Barrier-Cross Height: 20 mm/0.79 in
- Anti-Drop Protection: Yes

## Vacuuming Features

- Max Suction Power: 4200Pa
- Suction Level Adjustment: 4 levels
- Dustbin Capacity: 400ml
- Dustbin Detection: Yes
- HEPA Filter: H11
- Carpet Boost: Yes, Electricity Recognition

## Mopping Features

- Wet Mopping : Yes
- Mopping Type: Electric Water Flow Control
- Water Level Adjustment: 3 levels
- Water Tank Capacity: 300ml

## Battery

- Battery Capacity : 3200 mAh
- Vacuum Max Battery Life: 180 min per charge (Quiet Mode)
- Recharge & Resume: Yes

## App Features

- Real-Time Tracking: Yes
- Multi-Floor Mapping: Yes
- Scheduled Cleaning: Yes
- Virtual Walls: Yes
- No-Go Zones: Yes
- Zone Cleaning: Yes

# // Specifications

## Physical

- Product Dimensions:

Robot Vacuum: 342.2 × 341.8 × 95 mm (13.5 × 13.5 × 3.7 in)

- Package Contents:

Robot Vacuum Cleaner ×1

Charging Base ×1

Mop Cloth Mount ×1

Power Adapter ×1

Washable Mop Cloth ×2

Side Brush ×2

HEPA Filter ×2

Cleaning Brush ×1

User Manual

## Others

- Wireless Connection:

IEEE 802.11 b/g/n, 2.4 GHz band only;

Bluetooth 4.2 (only for setup)

- Rated Input Voltage: 100-240 VAC, 50/60 Hz

- Max Charging Power Consumption: 24 W (DC24 V 1 A)

- Max Working Power Consumption:

Robot Vacuum: 45 W

- Works with Google Home: Yes

- Works with Amazon Alexa: Yes

<sup>†</sup>Based on internal testing. Actual emptying intervals are subject to change due to usage and environmental factors.

<sup>‡</sup>Based on internal testing carried out by the manufacturer, using quiet vacuuming mode with a full battery. Actual results may vary according to the working status and home environment.

<sup>§</sup>Based on internal testing carried out by the manufacturer, using quiet vacuuming mode. Actual results may vary according to the working status.

Specifications are subject to change without notice. All brands and product names are trademarks or registered trademarks of their respective holders.

@2023 TP-Link