



# LiDAR Navigation Robot Vacuum + Smart Auto-Empty Dock



## 4200Pa Hyper Suction

For a deeper, powerful clean

### LiDAR & Gyro Dual Navi System

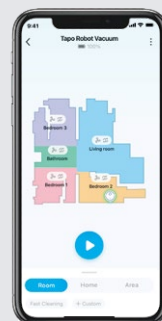
Higher precision mapping and navigation

### 70 Days without Emptying

Auto-empty with 4L large dust bag†

### Customizable Room Cleaning

Merge and separate areas and customize clean modes for each room



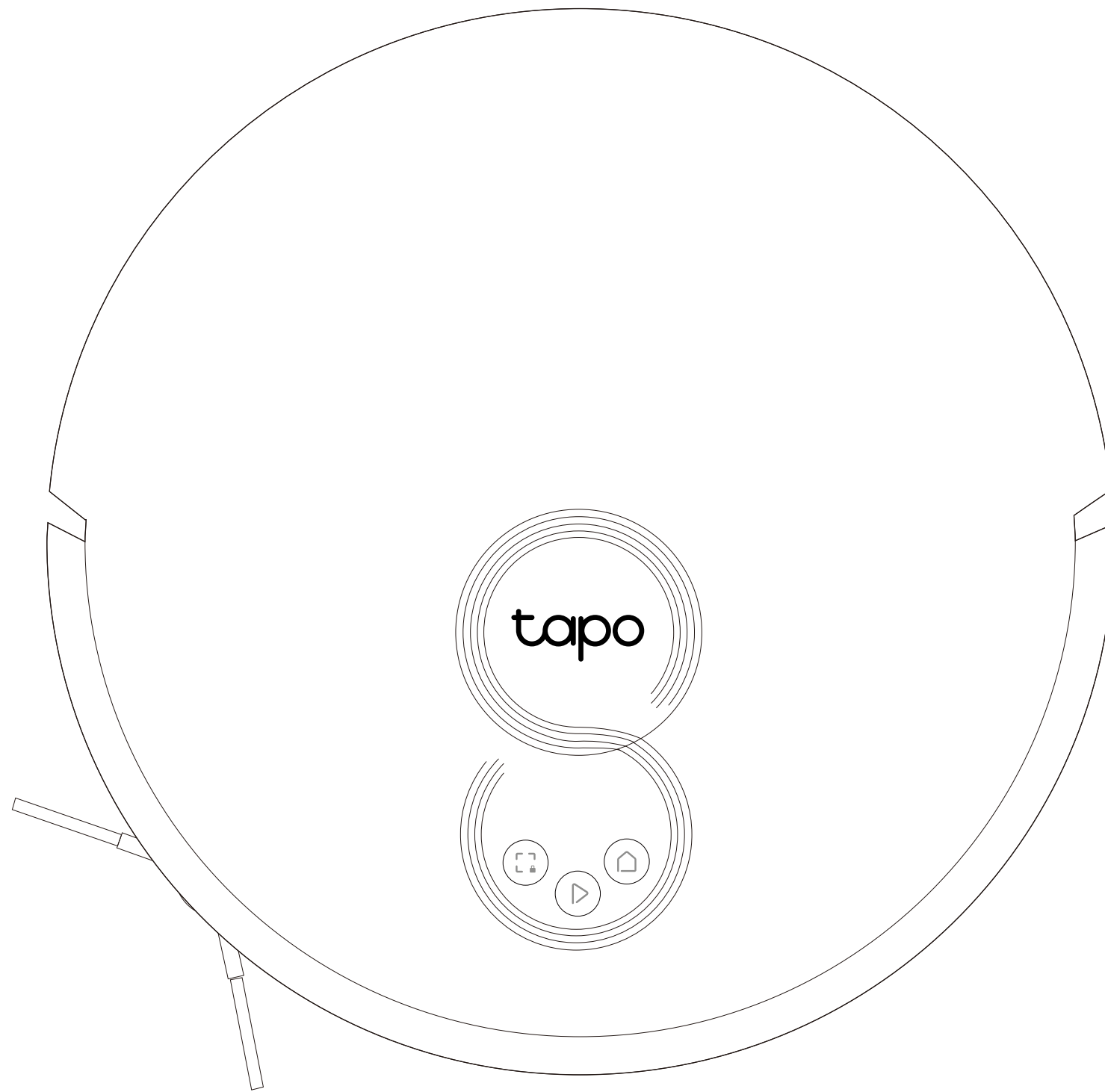
App Control



Tapo RV30C Plus

# // Overview

## Robot Vacuum



### Power/Clean

- Press once: Start/pause cleaning.
- Press and hold for 5 seconds: Turn on/off the robot vacuum.

\*For the first use, slide the power switch from OFF to ON to turn on.



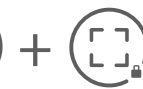
### Dock

- Return to the dock to charge.
- Empty the bin when docked.



### Spot Cleaning/Child Lock

- Press once: Start spot cleaning.
- Press and hold for 5 seconds: Turn on/off the child lock.



### Combination Button

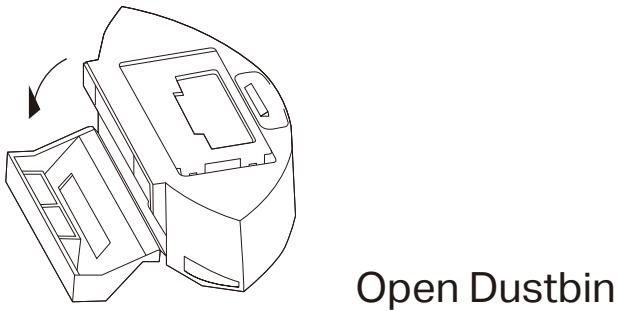
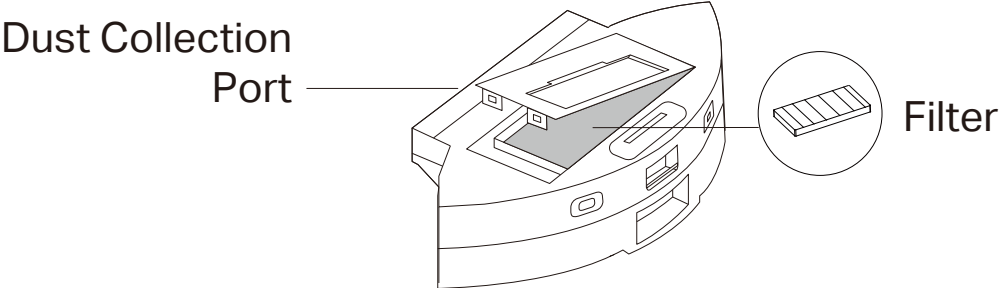
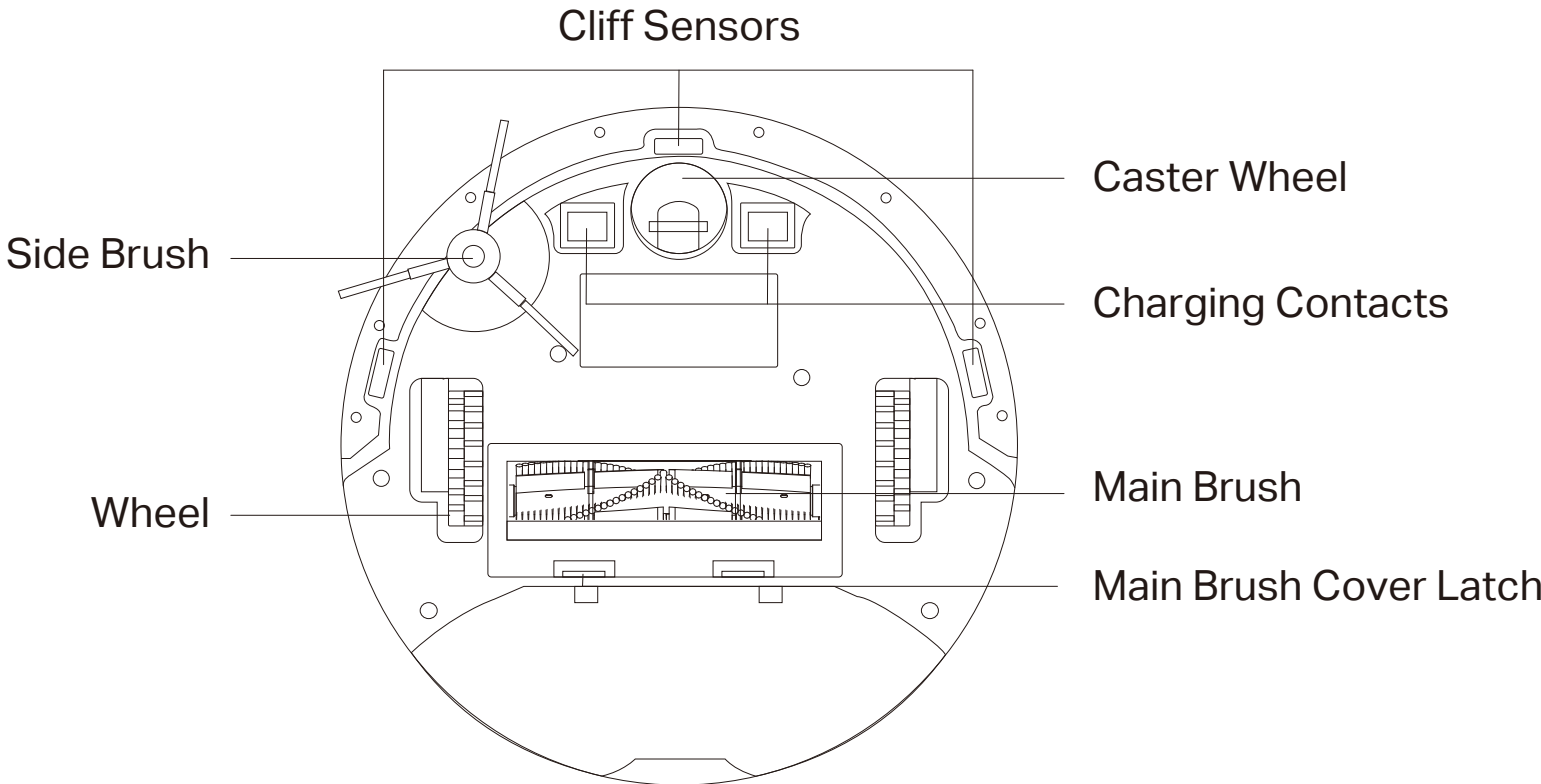
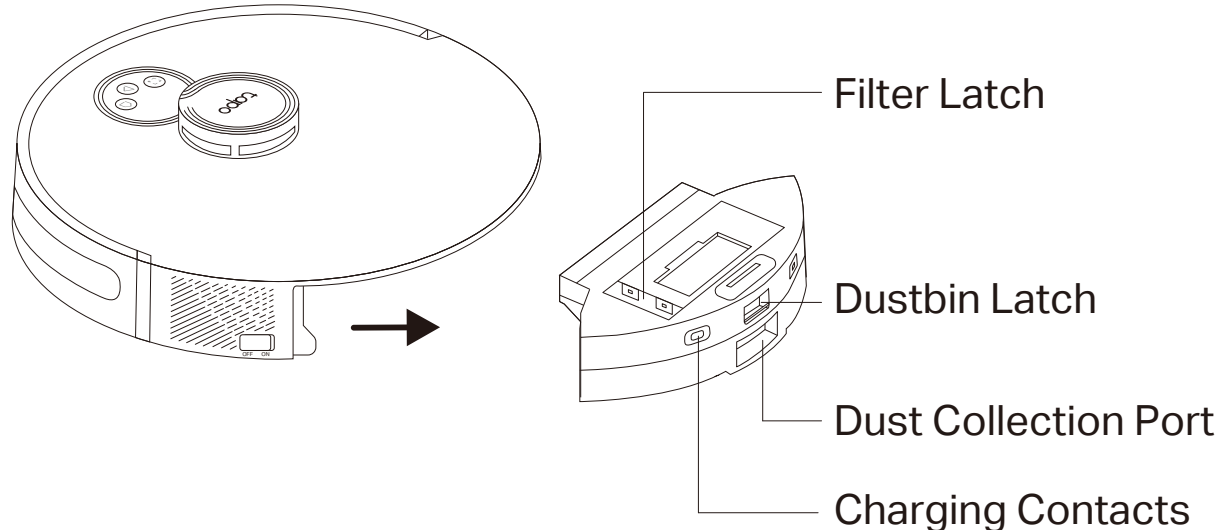
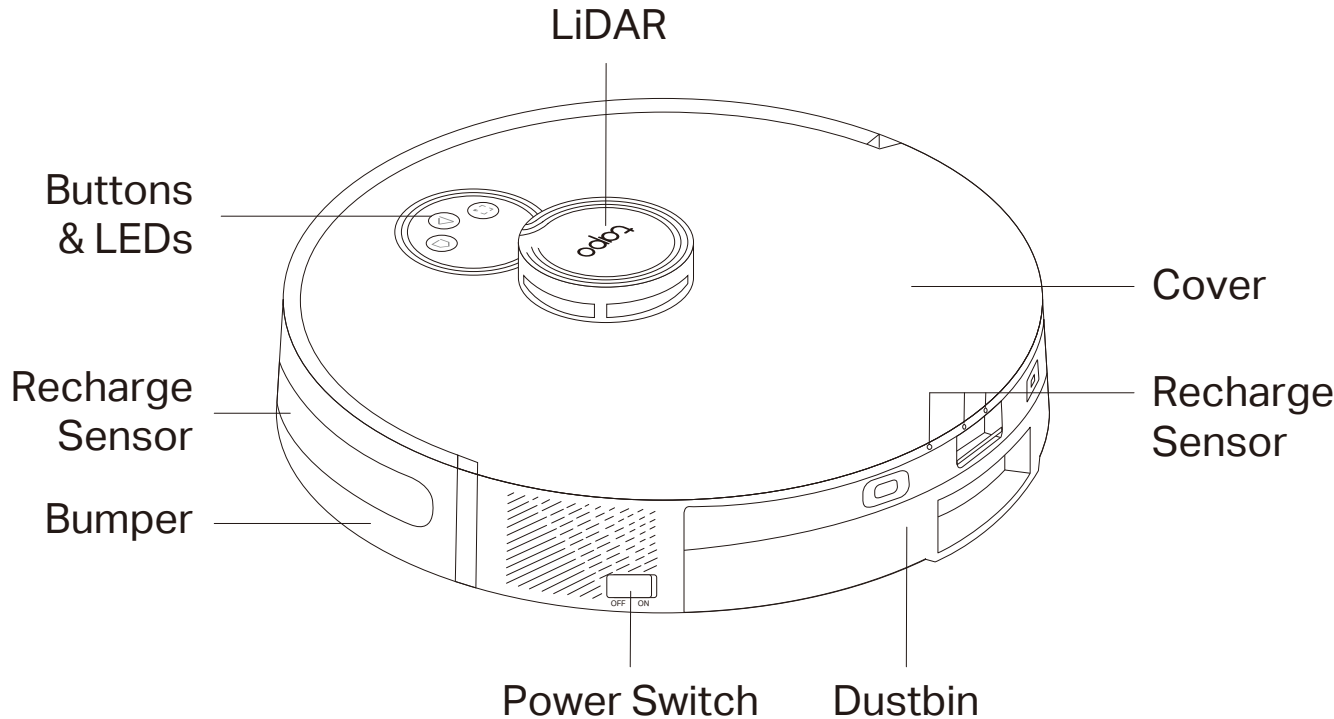
- Press and hold simultaneously for 5 seconds:  
Enter setup mode to configure network.
- Press and hold simultaneously for 10 seconds:  
Restore to factory default settings.



### LED

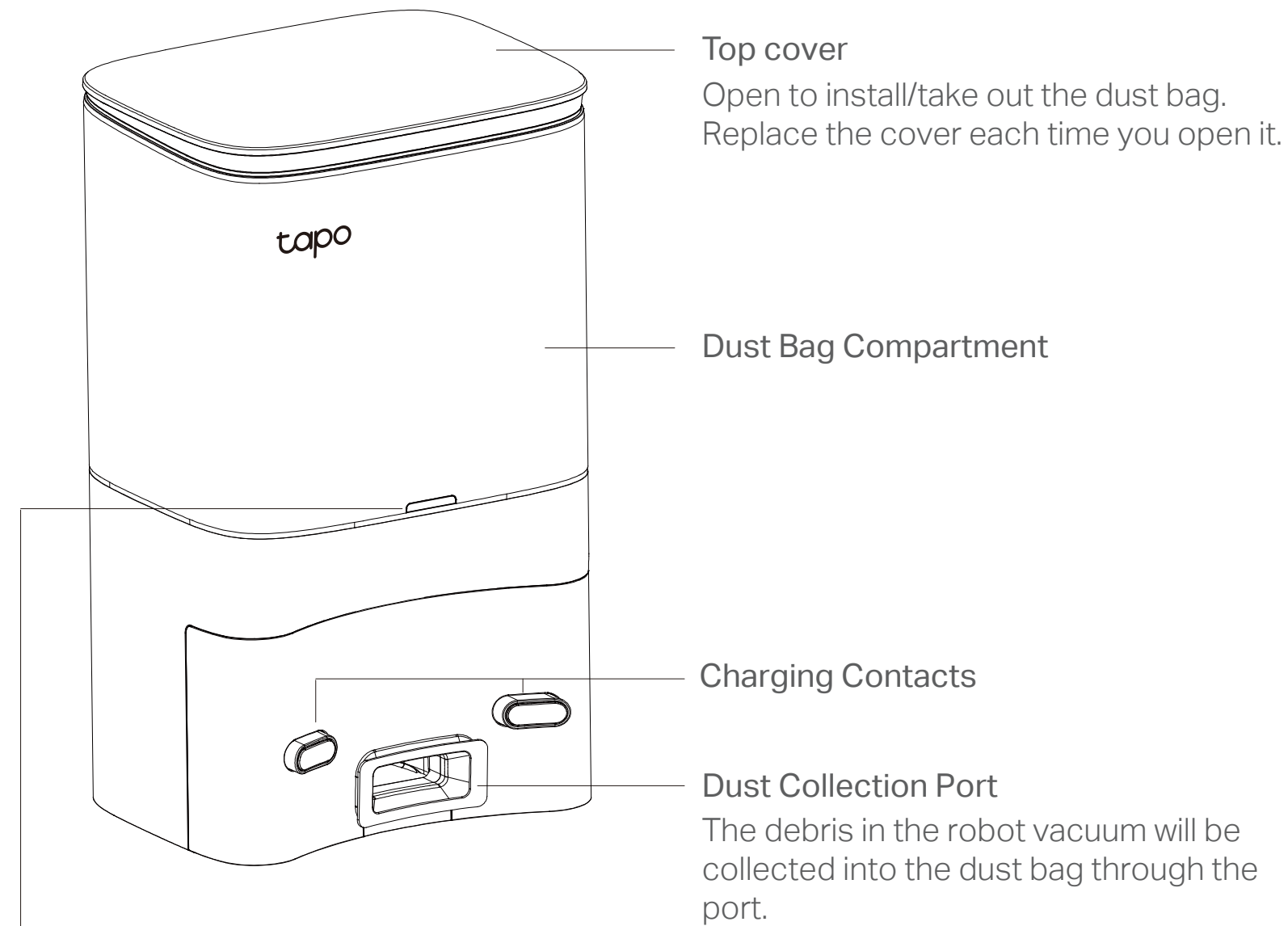
- **Red:** Battery level < 20%; Error
- **Orange:** Battery level between 20% and 80%
- **Green:** Battery level > 80%

# Overview



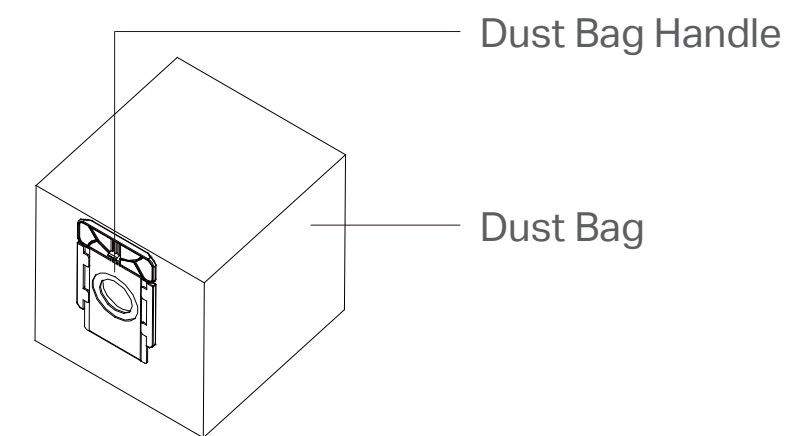
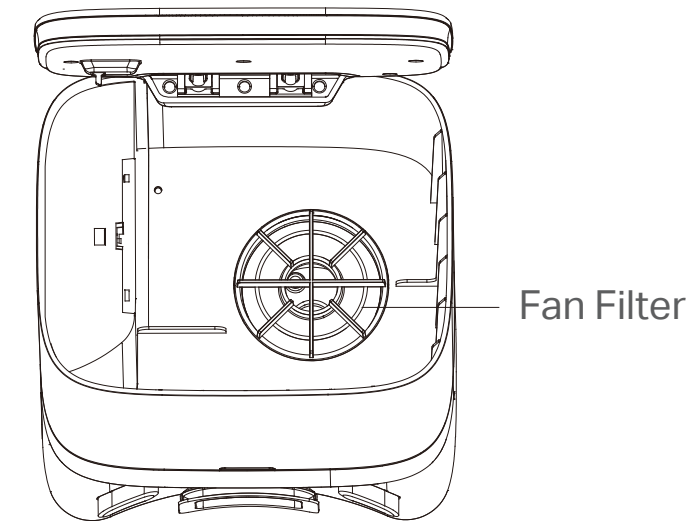
# // Overview

## Auto-Empty Dock



LED Indicator

- **White:** Working properly
- **Off:** Robot vacuum is connected to the dock; sleeping.
- **Solid Red:** Dust bag not installed; top cover not closed.
- **Flashing Red:** Error





## // Highlights

### Up to 70 Days Hands-Free Cleaning

- **No-Fuss Auto Empty**  
Automatically empties its dustbin after cleaning to keep your hands free
- **4L Sealed Disposable Dust Bag**  
Dust stays out of sight for up to 70 days and your hands stay clean†
- **Empties without Residue**  
The dock's strong 27000Pa suction power and shortened air duct help empty the dustbin within moments
- **Reduces Untimely Noise Interference**  
Auto-adjusts emptying duration and follows do-not-disturb schedules to avoid noisy interruptions



# // Highlights



## 4200Pa Hyper Suction

With industry-leading suction power up to 4200Pa, the Tapo Robot Vacuum is designed for a deeper clean that sweeps away debris sandwiched between gaps and dust hidden in carpets, leaving nothing but a spotless floor.

## 3-Hour Continuous Cleaning

3200 mAh energy-dense battery powers a long-lasting, fade-free suction.†

## Auto-Boost for Your Carpets

Automatically adjusts the suction power to the max mode when encountering carpets.



## High-Precision Dual Navi System

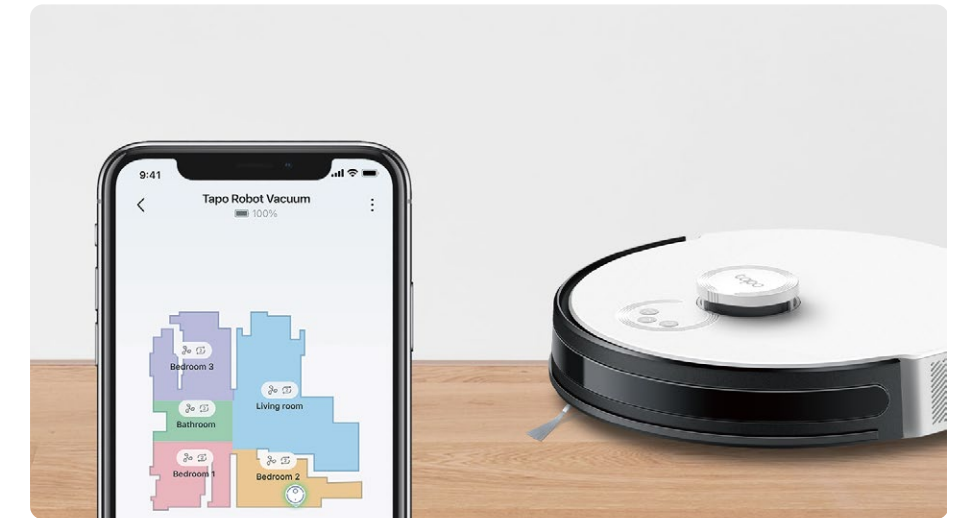
A LiDAR and Gyro dual navigation system serves as the brain and accurately maps out your home in minutes, avoids omissions and repeated cleaning, and even works well in the dark.

## Multi-Floor Local-Stored Maps

Recognizes different floors faster and accurately with 3 local-stored maps.

## Obstacle Detection and Avoidance

Laser-based sensors handle complex environments flexibly.



## Personalized Schedules and Room Settings

Customized cleaning fits your routine. Manage your own cleaning schedule and monitor your robot's status at home or away on the feature-rich Tapo app.

## Customizable Room Cleaning

Merge and separate areas, name individual rooms, and customize clean modes for each room.

## Personalized Schedules

Automatically start cleaning when you finish meals, sync the robot's routine to your daily habits.

# // Specifications

## Care and Maintenance

To maintain optimal performance, maintain the robot vacuum according to the following guidelines.

Part	Maintenance Frequency	Replacement Frequency*
Dustbin	Clean/wash as needed	/
Filter	Once a week	3-6 months
Main Brush	Every 2 weeks	6-12 months
Side Brush	Once a month	3-6 months
Dust Bag	/	Replaced when it is full
Caster Wheel	Clean as needed	/
Main Wheels	Once a month	/
Sensors	Once a month	/
Charging Contacts	Once a month	/

\*Replacement frequency may vary depending on the actual situation. Parts should be replaced if visible wear appears.



# // Specifications

## Mapping & Navigation Features

- Mapping/Path Planning: LiDAR + Gyroscope
- High-Precision Map: Yes
- Obstacle Avoidance: LiDAR
- Barrier-Cross Height: 20 mm/0.79 in
- Anti-Drop Protection : Yes

## Dock Features

- Auto Dust Collection: Yes
- Suction Power of Auto-Empty Dock: 27000Pa
- Dust Bag Capacity: 4 L

## Vacuuming Features

- Max Suction Power: 4200Pa
- Suction Level Adjustment: 4 levels
- Dustbin Capacity: 550 ml
- Dustbin Detection: Yes
- HEPA Filter: H11
- Carpet Boost: Yes, Electricity Recognition

## Battery

- Battery Capacity : 3200 mAh
- Vacuum Max Battery Life: 180 min per charge (Quiet Mode)
- Recharge & Resume: Yes

## App Features

- Real-Time Tracking: Yes
- Multi-Floor Mapping: Yes
- Scheduled Cleaning: Yes
- Virtual Walls: Yes
- No-Go Zones: Yes
- Zone Cleaning: Yes



# // Specifications

## Physical

- Product Dimensions:

Robot Vacuum: 342.6 × 342.2 × 95 mm (13.5 × 13.5 × 3.7 in)

Auto-Empty Dock: 227 × 191.4 × 381.3 mm (8.9 × 7.5 × 15 in)

- Package Contents:

Robot Vacuum Cleaner ×1

Auto-Empty Dock ×1

4L Disposable Dust Bag ×2

Side Brush ×2

HEPA Filter ×2

Cleaning Brush ×1

User Manual

## Others

- Wireless Connection:

IEEE 802.11 b/g/n, 2.4 GHz band only;

Bluetooth 4.2 (only for setup)

- Rated Input Voltage: 120 VAC, 60 Hz

- Max Charging Power Consumption: 24 W (DC24 V 1 A)

- Max Working Power Consumption:

Robot Vacuum: 45 W

Auto-Empty Dock: 950 W

- Works with Google Home: Yes

- Works with Amazon Alexa: Yes

<sup>1</sup>Based on internal testing. Actual emptying intervals are subject to change due to usage and environmental factors.

<sup>2</sup>Based on internal testing carried out by the manufacturer, using quiet vacuuming mode with a full battery. Actual results may vary according to the working status and home environment.

<sup>3</sup>Based on internal testing carried out by the manufacturer, using quiet vacuuming mode. Actual results may vary according to the working status.

Specifications are subject to change without notice. All brands and product names are trademarks or registered trademarks of their respective holders.

@2023 TP-Link