



MagSlim LiDAR Navigation Robot Vacuum



**3.1-in Ultra-Slim Design
for All-Round Cleaning**

- Strong 2000Pa Suction
- Large 800ml Dustbin
- Precision Mapping and Customizable Cleaning



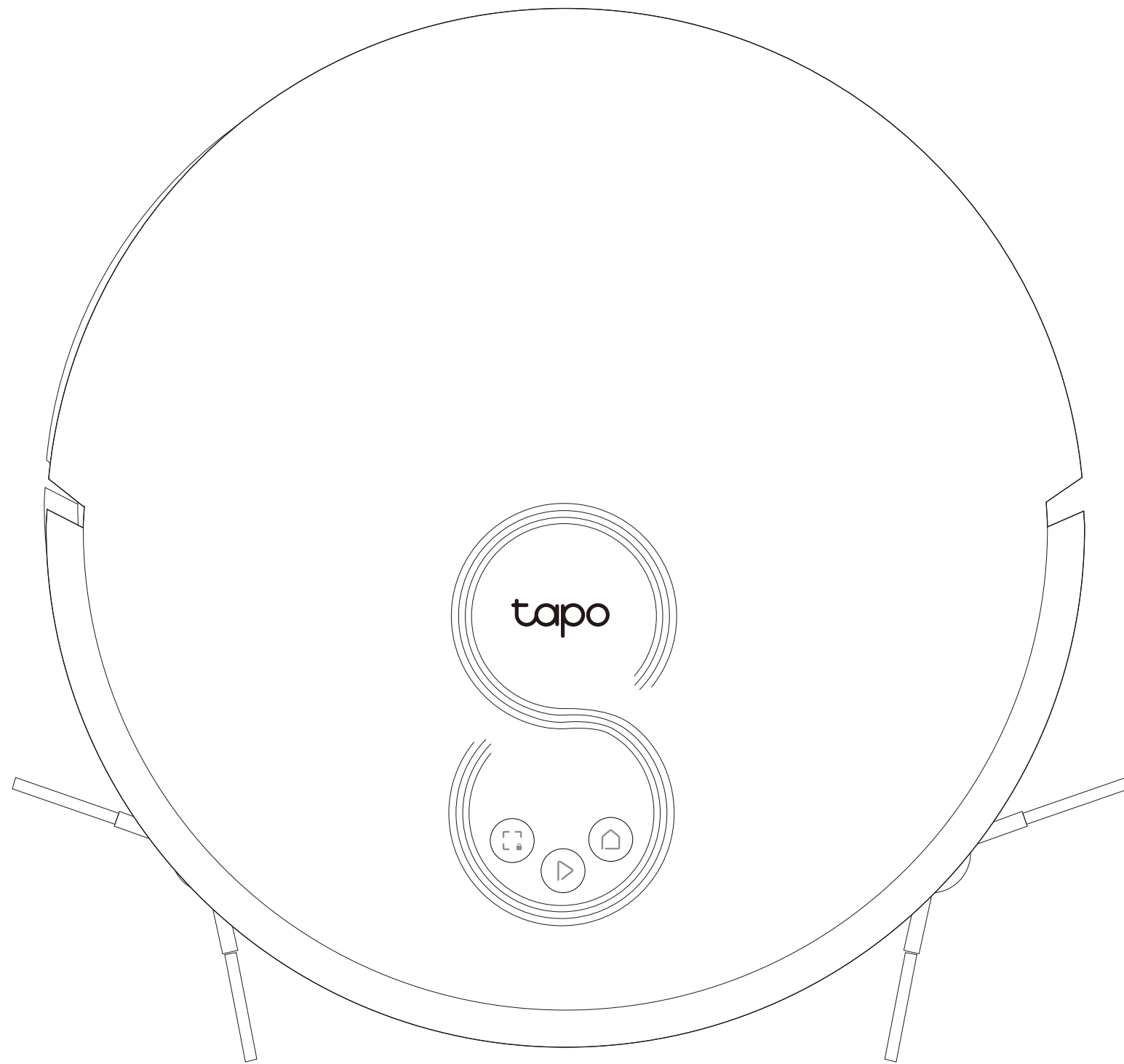
App Control



Tapo RV20

// Overview

Robot Vacuum



▶ Power/Clean

- Press once: Start/pause cleaning.
- Press and hold for 3 seconds: Turn on/off the robot vacuum.

*For the first use, slide the power switch from OFF to ON to turn on.

🏠 Dock

- Return to the dock to charge.

📐 Spot Cleaning/Child Lock

- Press once: Start spot cleaning.
- Press and hold for 5 seconds: Turn on/off the child lock.

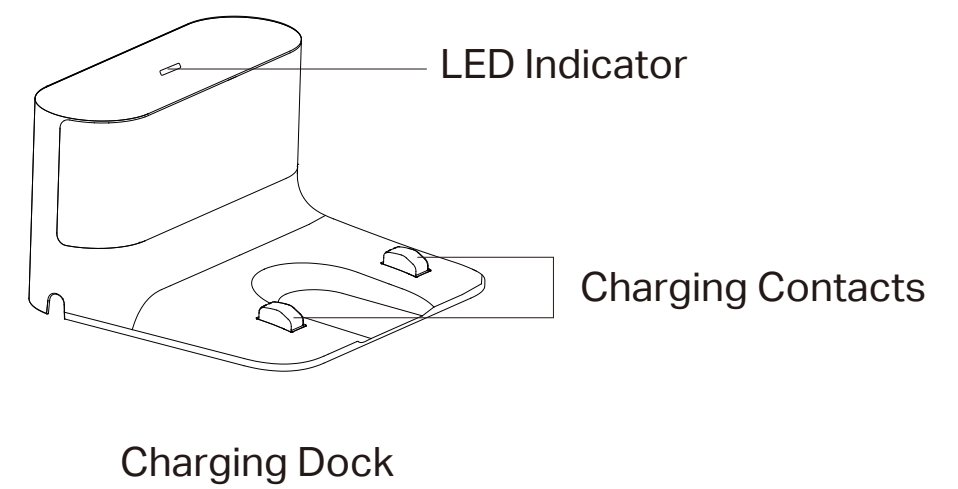
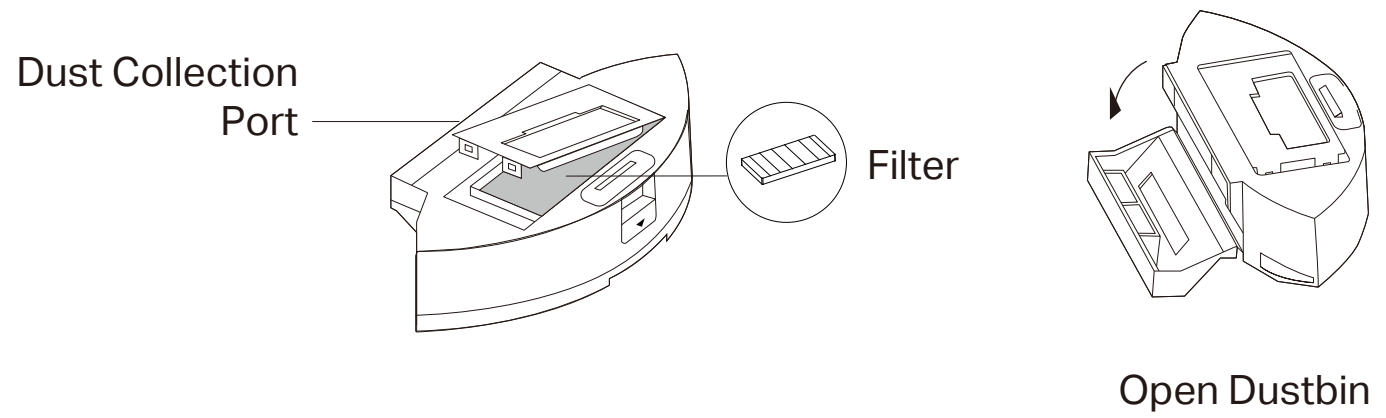
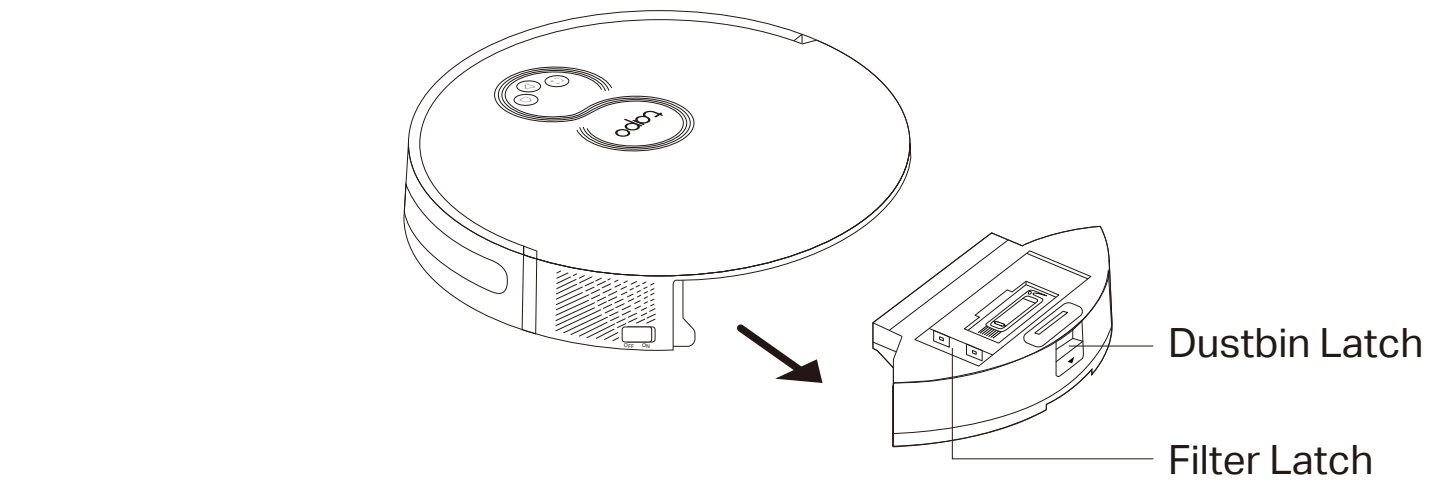
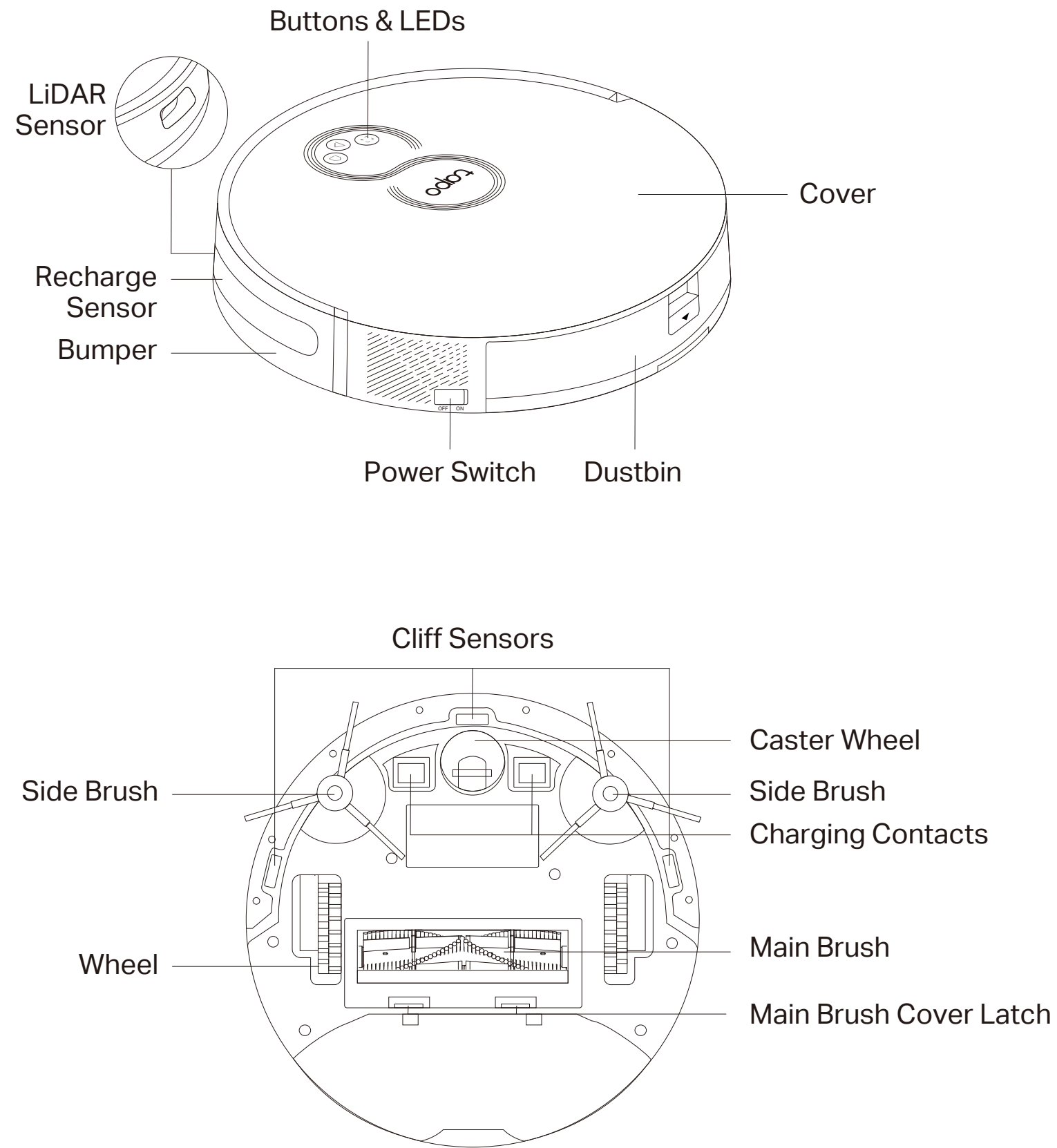
🏠 + 📐 Combination Button

- Press and hold simultaneously for 5 seconds: Enter setup mode to configure network.
- Press and hold simultaneously for 10 seconds: Restore to factory default settings.

🏠 LED

- **Red:** Battery level < 20%; Error
- **Orange:** Battery level between 20% and 80%
- **Green:** Battery level > 80%

Overview



// Highlights



MagSlim LiDAR Navigation

The Tapo RV20 Series retains the precise mapping of traditional LiDAR navigation while being extremely thin thanks to its sunk laser module.

3.1-in Ultra-Slim Design

The 3.1-in ultra-slim body allows RV20 to enter more hard-to-reach and narrow spaces, increasing its cleaning coverage.

High-Precision Mapping

Maps out your house in minutes with millimeter-level detection precision, avoiding omissions and repeated cleaning.

Multi-Floor Local-Stored Maps

Saves up to 3+1 maps, ideal for houses with several floors.



Strong Suction Power, Low Noise

Four vacuum modes with different levels of suction power meet various cleaning needs. With a maximum suction power of 2000Pa, the Tapo Robot Vacuum is ideal for direct, powerful cleaning of carpets and hard floors.

800ml Dustbin Carries More

The extra-large dustbin enables RV20 to hold even more debris, pet hair, and dust for up to 14 days.[†]

Auto-Boost for Your Carpets

Automatically increases the suction power when encountering carpets.

Quiet Cleaning

Lowers noise levels down to 53-dB while in use—quieter than a running microwave.[§]



Total Control at Your Fingertips

Cleaning made simple. Manage your own cleaning schedule and monitor your robot's status at home or away on the feature-rich Tapo app.

Customizable Room Cleaning

Merge and separate areas, name individual rooms, and customize cleaning modes for each room.

Virtual Walls and No-Go Zones

Set up areas you don't want the robot to go via the Tapo app.

Simple Voice Control

Pair with Alexa or Google Home to control with voice commands.

// Specifications

Care and Maintenance

To maintain optimal performance, maintain the robot vacuum according to the following guidelines.

Part	Maintenance Frequency	Replacement Frequency*
Dustbin	Clean/wash as needed	/
Filter	Once a week	3-6 months
Main Brush	Every 2 weeks	6-12 months
Side Brush	Once a month	3-6 months
Caster Wheel	Clean as needed	/
Main Wheels	Once a month	/
Sensors	Once a month	/
Charging Contacts	Once a month	/

*Replacement frequency may vary depending on the actual situation. Parts should be replaced if visible wear appears.

// Specifications

Mapping & Navigation Features

- Mapping/Path Planning: MagSlim LiDAR + Gyroscope
- High-Precision Map: Yes
- Obstacle Avoidance: MagSlim LiDAR + Infrared
- Barrier-Cross Height: 20 mm/0.79 in
- Anti-Drop Protection: Yes

Vacuuming Features

- Max Suction Power: 2000Pa
- Suction Level Adjustment: 4 levels
- Dustbin Capacity: 800ml
- Dustbin Detection: Yes
- HEPA Filter: Yes
- Carpet Boost: Yes, Electricity Recognition

Battery

- Battery Capacity : 2600 mAh
- Vacuum Max Battery Life: 180 min per charge (Quiet Mode)
- Recharge & Resume: Yes

App Features

- Real-Time Tracking: Yes
- Multi-Floor Mapping: Yes
- Scheduled Cleaning: Yes
- Virtual Walls: Yes
- No-Go Zones: Yes
- Zone Cleaning: Yes

// Specifications

Physical

- Product Dimensions:

Robot Vacuum: 342.2 × 341.8 × 78 mm (13.5 × 13.5 × 3.1 in)

- Package Contents:

Robot Vacuum Cleaner ×1

Charging Base ×1

Power Adapter ×1

Side Brush ×4

HEPA Filter ×2

Cleaning Brush ×1

User Manual

Others

- Wireless Connection:

IEEE 802.11 b/g/n, 2.4 GHz band only;

Bluetooth 4.2 (only for onboarding)

- Rated Input Voltage: 100-240 VAC, 50/60 Hz

- Max Charging Power Consumption: 11.4 W (DC19 V 0.6 A)

- Max Working Power Consumption:

Robot Vacuum: 30 W

- Works with Google Home: Yes

- Works with Amazon Alexa: Yes

¹Based on internal testing. Actual emptying intervals are subject to change due to usage and environmental factors.

²Based on internal testing carried out by the manufacturer, using quiet vacuuming mode with a full battery. Actual results may vary according to the working status and home environment.

³Based on internal testing carried out by the manufacturer, using quiet vacuuming mode. Actual results may vary according to the working status.

Specifications are subject to change without notice. All brands and product names are trademarks or registered trademarks of their respective holders.

@2023 TP-Link